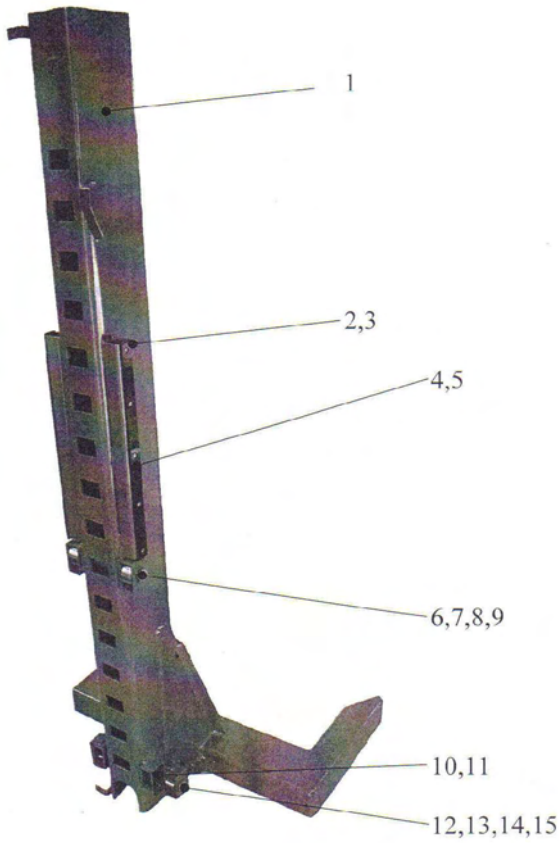


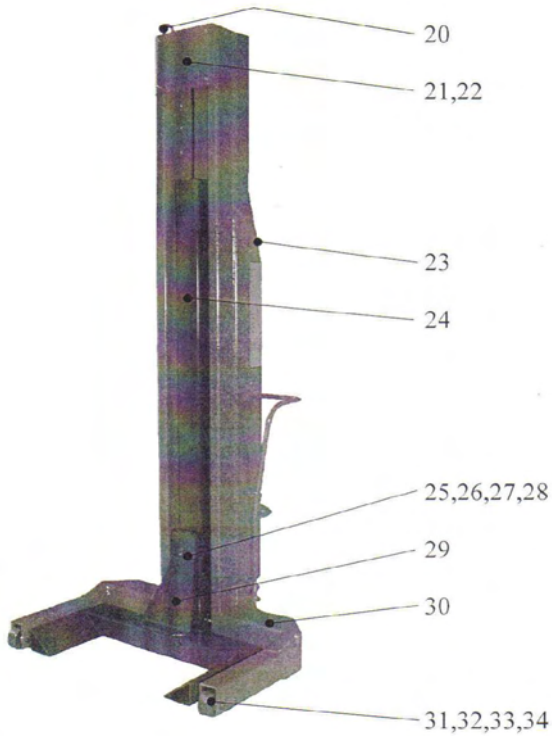
HDL- 7500 SPARE PART LIST / 2005

PART 1 / LIFTING CARRIAGE



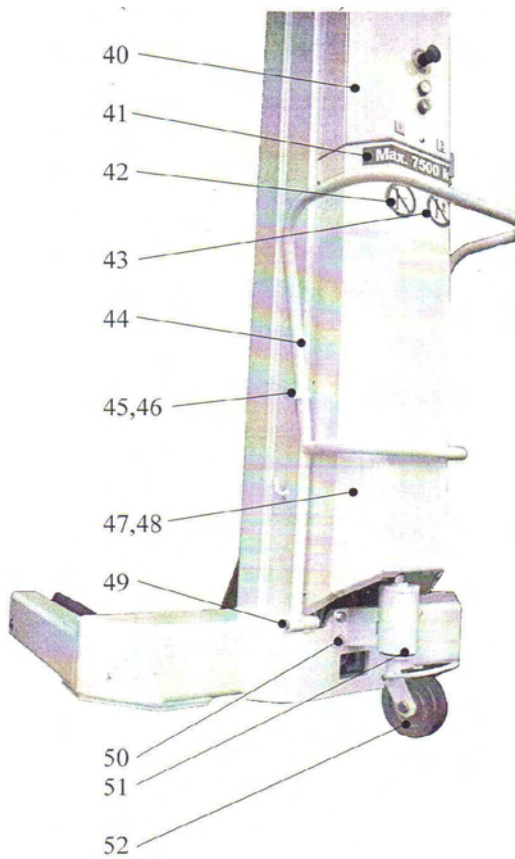
| ITEM | QTY | ART.nr. | DESCRIPTION | PRICE IN EURO |
|------|-----|---------|-----------------------------|---------------|
| 1 | 1 | WK01 | Carriage | |
| 2 | 2 | WK02 | Gliding piece (short) | |
| 3 | 4 | WK03 | Screw, M6 | |
| 4 | 2 | WK04 | Gliding piece (long) | |
| 5 | 10 | WK05 | Screw, M6 | |
| 6 | 2 | WK06 | Roller bearing (NATV 30 PP) | |
| 7 | 2 | WK07 | Guide | |
| 8 | 1 | WK08 | Axle, D30 long | |
| 9 | 2 | WK09 | Circlip, A 30 | |
| 10 | 2 | WK10 | Gliding piece (40 x 80) | |
| 11 | 4 | WK11 | Screw M 6 + Nut M6 | |
| 12 | 2 | WK12 | Roller bearing (NATV 30 PP) | |
| 13 | 2 | WK13 | Guide | |
| 14 | 2 | WK14 | Axle, D30 short | |
| 15 | 4 | WK15 | Circlip, A 30 | |

PART 2 / COLUMN



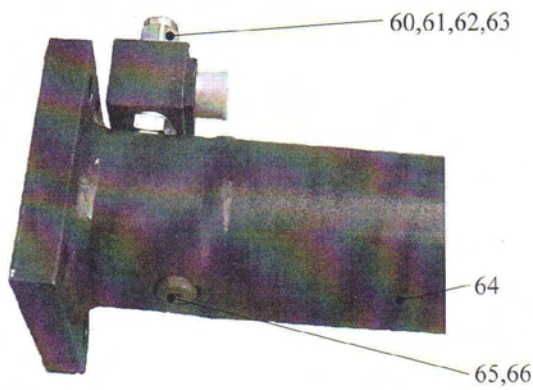
| ITEM | QTY | ART.nr. | DESCRIPTION | PRICE IN EURO |
|------|-----|---------|------------------------------|---------------|
| 20 | 1 | WP20 | Hook | |
| 21 | 1 | WP21 | Front plate | |
| 22 | 4 | WP22 | Screw M8 x 20 + Washer M8 | |
| 23 | 1 | WP23 | Cover for the Locking device | |
| 24 | 1 | WP24 | Carriage without Forks | |
| 25 | 1 | WP25 | Axle, D40 | |
| 26 | 1 | WP26 | Screw, M8 | |
| 27 | 1 | WP27 | Bushing | |
| 28 | 1 | WP28 | Flange | |
| 29 | 1 | WP29 | Carriage fork | |
| 30 | 1 | WP30 | Column | |
| 31 | 2 | WP31 | Wheel, D118 | |
| 32 | 4 | WP32 | Bushing, DU25-25 | |
| 33 | 2 | WP33 | Axle, D25-84 | |
| 34 | 4 | WP34 | Circlip, A 25 | |

PART 3 / COLUMN



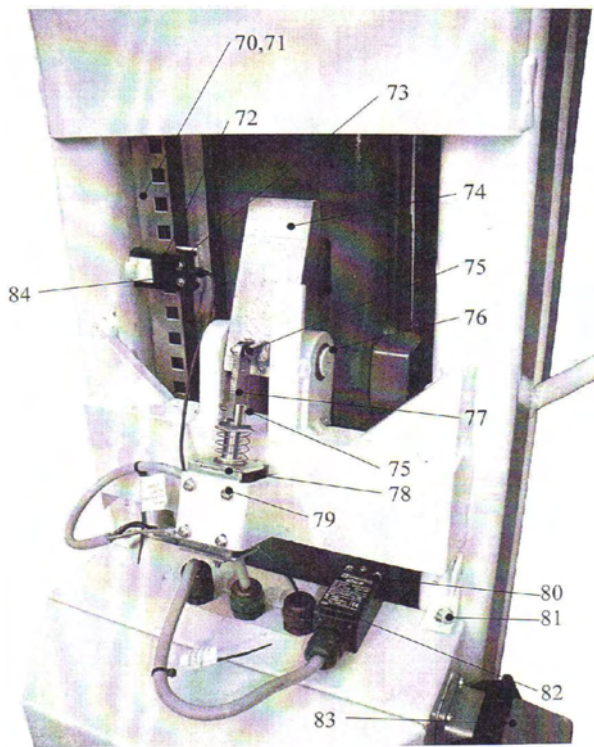
| ITEM | QTY | ART.nr. | DESCRIPTION | PRICE IN EURO |
|------|-------|---------|---|---------------|
| 40 A | 1 | WP40 | Electric box (complete) | |
| 40 B | 3 - 5 | WP40 | Master column Electric box (complete) | |
| 41 | 1 | WP41 | Slave column Sticker | |
| 42 | 1 | WP42 | Sticker (to lift up persons is not allowed) | |
| 43 | 1 | WP43 | Sticker (tilting of floor Max 1° degree) | |
| 44 | 1 | WP44 | Handle | |
| 45 | 2 | WP45 | Plastic clip | |
| 46 | 2 | WP46 | Screw M 6 | |
| 47 | 1 | WP47 | Cover for the Hydraulic unit | |
| 48 | 4 | WP48 | Screw M 6 | |
| 49 | 2 | WP49 | Screw M12 x 90 + Nut M12 + Washer M12 | |
| 50 | 2 | WP50 | Screw M12 x 20 + Washer M12 | |
| 51 | 1 | WP51 | Wheel complete + spring system | |
| 52 | 1 | WP52 | Wheel D125 | |

PART 4 / CYLINDER



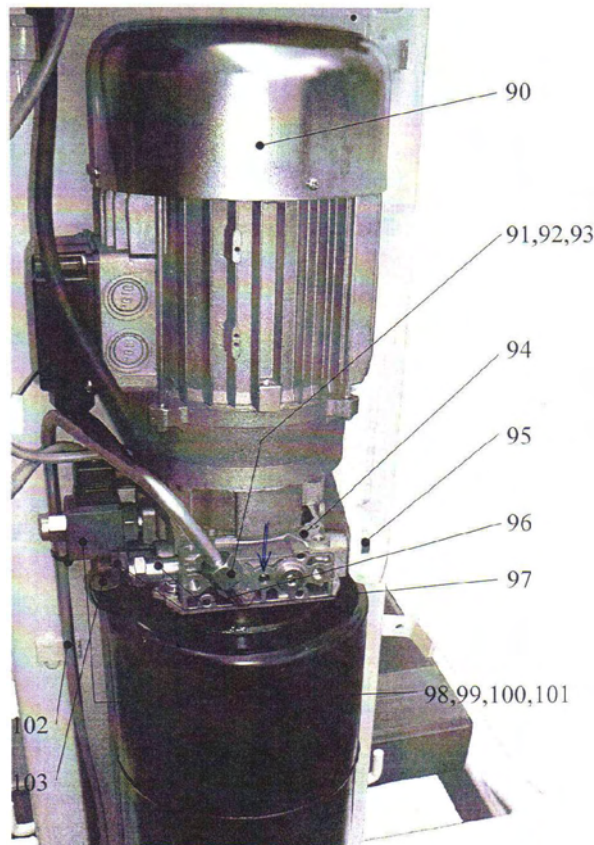
| ITEM | QTY | ART.nr. | DESCRIPTION | PRICE IN EURO |
|------|-----|---------|---------------------------------|---------------|
| 60 | 1 | WS60 | Nut | |
| 61 | 2 | WS61 | O-ring | |
| 62 | 1 | WS62 | Coil | |
| 63 | 1 | WS63 | Check valve, CE6 | |
| 64 | 1 | WS64 | Cylinder complete (D75/50-1700) | |
| 65 | 1 | WS65 | Flow control valve (5,5 l/min) | |
| 66 | 1 | WS66 | Plug | |
| | 1 | WS67 | Seal kit complete | |
| | 1 | WS68 | Seal | |
| | 1 | WS69 | Seal (guide) | |
| | 1 | WS70 | Seal | |
| | 1 | WS71 | O-ring | |

PART 5 / SYNCHRONISATION AND LOCKING DEVICE



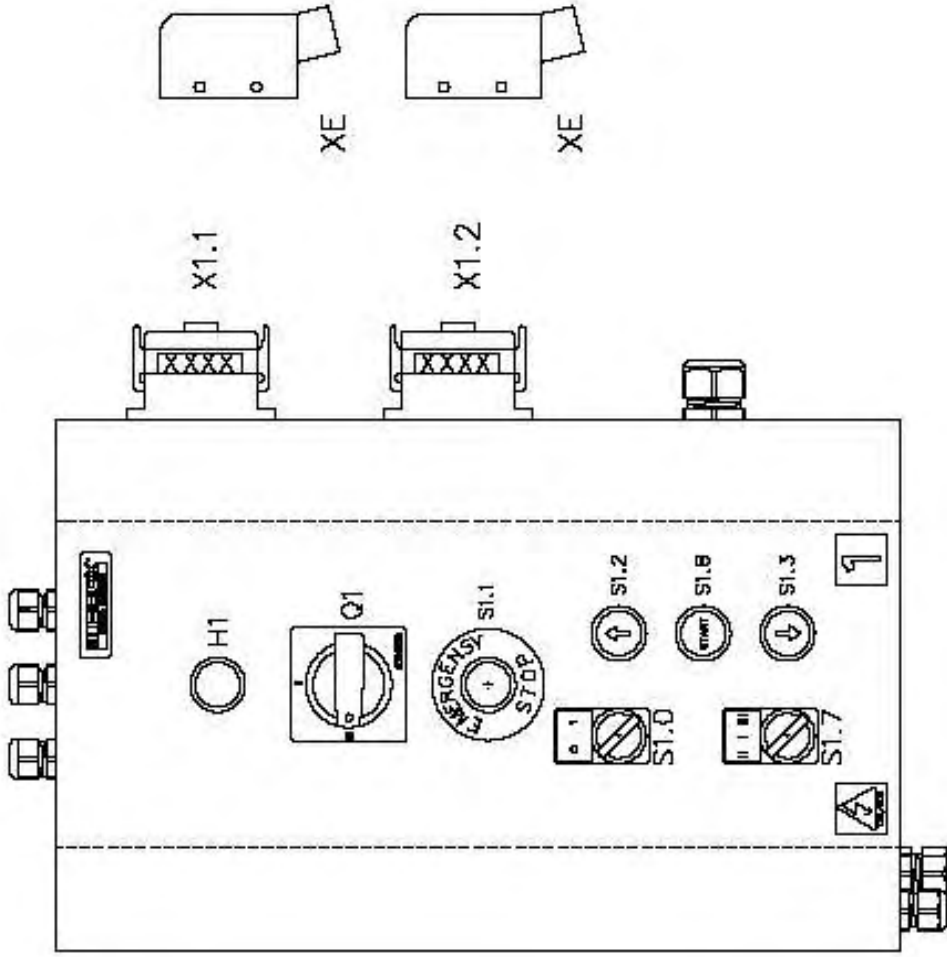
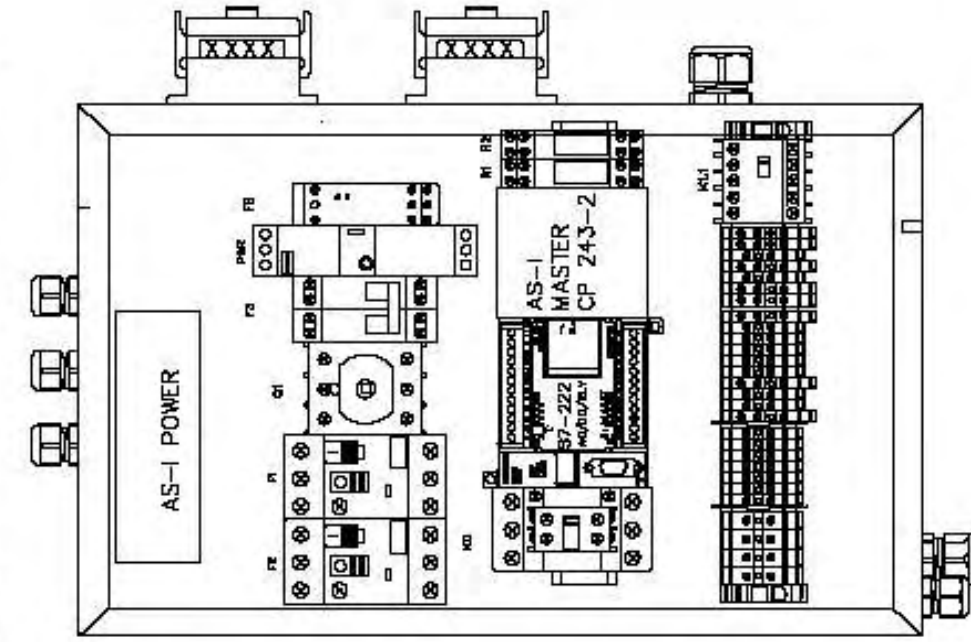
| ITEM | QTY | ART.nr. | DESCRIPTION | PRICE IN EURO |
|------|-------|---------|--|---------------|
| 70 | 1 | WL70 | Synchronisation Plate | |
| 71 | 2 | WL71 | Screw M8 + Nut + Washer | |
| 72 | 1 | WL72 | Guide for the Synchronisation Plate | |
| 73 | 2 | WL73 | Screw M 3 + Nut | |
| 74 | 1 | WL74 | Holder | |
| 75 | 2 | WL75 | Pin, D3-20 | |
| 76 | 2 | WL76 | Circlip, A 20 | |
| 77 | 1 | WL77 | Rod | |
| 78 | 1 | WL78 | Magnet (GMS 35.10) | |
| 79 | 4 | WL79 | Screw M 4 | |
| 80 | 2 | WL80 | Screw M 4 | |
| 81 | 4 | WL81 | Screw M 4 | |
| 82 | 1 | WL82 | Limit switch | |
| 83 | 4 - 5 | WL83 | Interconnecting Cable; 10,5 m Incl. Socket | |
| | | WL83.1 | Interconnecting Cable, 17,0 m Incl. Socket | |
| | | WL83.2 | Interconnecting Cable, per meter | |
| 84 | 1 | WL84 | Photo cell | |
| | | L89 | Blind plug -socket | |
| | | L89.5 | Code pins for the Sockets | |

PART 6 / HYDRAULIC UNIT



| ITEM | QTY | ART.nr. | DESCRIPTION | PRICE IN EURO |
|------|-----|---------|--------------------------------------|---------------|
| 90 | 1 | WH90 | Electric motor (1,8 KW /1500 r/min) | |
| 91 | 1 | WH91 | Connecting Socket (CL 10 RK 1 / 4") | |
| 92 | 1 | WH92 | Connecting Socket (BL 10 R 1 / 4") | |
| 93 | 1 | WH93 | Usit seal (R 1 / 4") | |
| 94 | 1 | WH94 | Hydraulic unit; (5,5 l/min, 210 bar) | |
| 95 | 2 | WH95 | Screw M 10 x 30 + Washer M10 | |
| 96 | 1 | WH96 | Non return valve | |
| 97 | 1 | WH97 | Pressure control Valve | |
| 98 | 1 | WH98 | Nut | |
| 99 | 2 | WH99 | O-ring | |
| 100 | 1 | WH100 | Coil | |
| 101 | 1 | WH101 | Solenoid valve | |
| 102 | 1 | WH102 | Hydr. Pipe | |
| 103 | 1 | WH103 | Oil fill plug | |

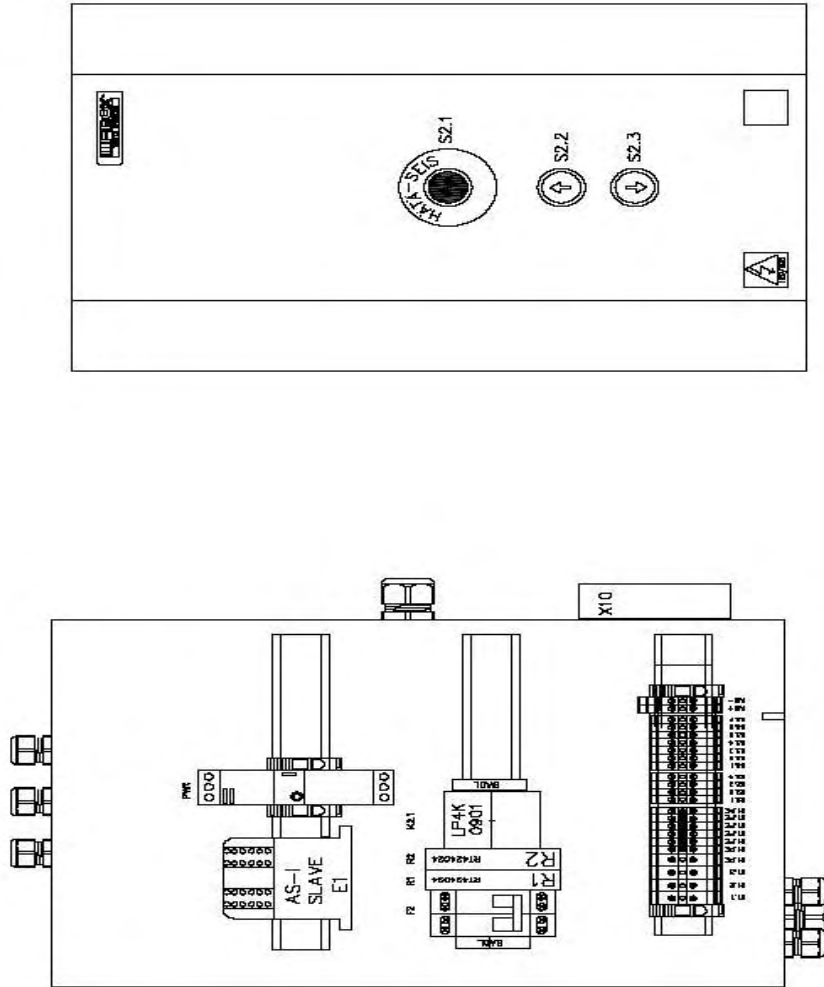
RKN HYD 1 USA 6-PILARI



**PART LIST; Electric box / Master column / Wheeltronic Canada
NORDLIFT OY**

| CODE | POS. | DESCRIPTION | TYPE | MANUFACTURER | Price/EURO |
|------------------|------|--------------------------------|---------------------|------------------|------------|
| | 10 | ELECTRIC BOX | | IS-METALLI | 203,10 |
| PLC | 20 | CPU 222 | 6ES7 212-1BB21-0XB0 | SIEMENS | 487,50 |
| Power supply | 30 | AS-I POWER | 3RX9307-0AA00 | SIEMENS | 450,85 |
| AS-I-Master | 40 | AS-I MASTER CP 243-2 | 6GK7243-2AX00-0XA0 | SIEMENS | 802,50 |
| F1, F2 | 50 | Motor Circuit breaker | GV2ME20 | SCHNEIDER | 96,70 |
| F1, F2 | 60 | Auxiliary contact | GV2-AE11 | SCHNEIDER | 8,10 |
| F8 | 70 | 3-phase supply control relay | RM4TG20 | SCHNEIDER | 120,85 |
| K0 | 80 | Contacteur 38A, 24VDC | LC1D38BL | SCHNEIDER | 166,50 |
| K0 | 90 | Auxiliary contact | LAD-N20 | SCHNEIDER | 7,50 |
| K1.1 | 100 | Contacteur K 9A 24VAC | LP4K0901BW3 | SCHNEIDER | 27,50 |
| F7 | 110 | Circuit breaker C60N 2D4 6KA | 24519 | SQUARE D | 100,00 |
| S1.1 | 120 | Emergency push button 40mm | ZB5AS54 | SCHNEIDER | 23,75 |
| S1.7 | 130 | Drive select switch | ZB5AD3 | SCHNEIDER | 10,85 |
| S1.2 | 140 | Push button, black | ZB5AA334 | SCHNEIDER | 5,85 |
| S1.3 | 150 | Push button, white | ZB5AA335 | SCHNEIDER | 5,85 |
| S1.8 | 160 | Push button, green | ZB5AA333 | SCHNEIDER | 5,85 |
| S1.2, S1.3, S1.8 | 170 | Rubber cover | ZBP0 | SCHNEIDER | 1,75 |
| S1.2, S1.3, S1.8 | 180 | Contact element | ZB5AZ101 | SCHNEIDER | 7,95 |
| S1.1 | 190 | Contact element 1av | ZB5AZ102 | SCHNEIDER | 7,95 |
| S1.7 | 200 | Contact element 2s | ZB5AZ103 | SCHNEIDER | 13,20 |
| | 201 | | ZBE101 | SCHNEIDER | 6,50 |
| S1.0 + H0 | 210 | Contact element 24VAC green 1s | ZB5AW0B31 | SCHNEIDER | 25,00 |
| S1.0 + H0 | 220 | Turn switch, green | ZB5AK1233 | SCHNEIDER | 25,00 |
| S1.1, S1.7 | 230 | Holder for 18x27mm sign | ZBZ33 | SCHNEIDER | 2,65 |
| H1 | 240 | Holder for 8x27 mm sign | ZBZ32 | SCHNEIDER | 0,60 |
| S1.5 | 250 | Limit switch | XCKP121 | SCHNEIDER | 25,85 |
| H1 | 280 | 24 V LED light, yellow | XB5AVB5 | SCHNEIDER | 20,45 |
| PWR | 290 | Power | ABL7RP2403 | SCHNEIDER | 282,95 |
| R1,R2 | 300 | Relay | RT 424024 | SCHRACK | 7,85 |
| R1,R2 | 310 | Relay base | RT 78625 | SCHRACK | 7,50 |
| R1,R2 | 320 | Relay bail | RT 16016 | SCHRACK | 0,60 |
| R1,R2 | 330 | LED + DIODE | RPML 0024 | SCHRACK | 6,25 |
| S1.0, S1.7 | 340 | Signs | 023 015 03 | PUNKAHARJUNKILPI | 20,85 |
| | 350 | Sticker; Lightning | 023 015 03 | PUNKAHARJUNKILPI | 4,20 |
| S1.4 | 360 | Photocell | EE-SX872P | OMRON | 66,70 |
| | 370 | Plug for the valve | 18209N21 | MPM | 2,25 |
| | 460 | Screw to change Socket code | 710.600 | WALTHER PROCON | 1,25 |
| X1.1, X1.2 | 470 | Case frame | 714.110 | WALTHER PROCON | 29,20 |
| X1.1, X1.2 | 480 | Female plug | 710.110 | WALTHER PROCON | 20,70 |
| | 490 | Case frame | 758342 OVM | WALTHER PROCON | 40,15 |
| | 500 | Male plug | 710.210 | WALTHER PROCON | 19,60 |
| Q1 | 630 | Main switch | KSR3 60/U | ENSTO | 40,65 |
| Q2 | 640 | Axle | KS 23.150 | ENSTO | 2,50 |
| Q3 | 650 | Switch; Red/Yellow | KSH 48 B | ENSTO | 5,40 |

RKN HYD 2 USA 6-PILARI



PART LIST; Electric Box / Slave column / Wheeltronic Canada NORDLIFT OY

| Code | POS. | DESCRIPTION | TYPE | MANUFACTURER | Price/EURO |
|------------|------|----------------------------|--------------------|----------------|------------|
| | 10 | Electric box | | IS-METALLI | 203,10 |
| | 20 | AS-I Slave | 3RK1400-0CE00-0AA3 | SIEMENS | 164,20 |
| S2.1 | 30 | Emergency Push button 40mm | ZB5AS54 | TELEMECANIQUE | 23,75 |
| S2.2 | 40 | Push button, Blac, | ZB5AA334 | TELEMECANIQUE | 5,85 |
| S2.3 | 50 | Push button, White | ZB5AA335 | TELEMECANIQUE | 5,85 |
| S2.1 | 60 | Contact block 1av | ZB5AZ102 | TELEMECANIQUE | 7,95 |
| S2.3, S2.2 | 70 | Contact block 1 sulk | ZB5AZ101 | TELEMECANIQUE | 7,95 |
| S2.6 | 80 | Limit switch | XCKP121 | TELEMECANIQUE | 25,85 |
| F2 | 90 | Cable protection | 24444 | SQUARE D | 100,00 |
| S1.2, S1.3 | 110 | Rubber cover | ZBP0 | SCHNEIDER | 1,75 |
| K2.1 | 140 | Contactur 9A 24VDC 1 av ML | LP4K0901BW3 | SCHNEIDER | 27,50 |
| PWR | 160 | Power | ABL7RP2403 | SCHNEIDER | 282,95 |
| R1,R2 | 170 | Relay | RT 424024 | SCHRACK | 7,85 |
| R1,R2 | 180 | Relay base | RT 78625 | SCHRACK | 7,50 |
| R1,R2 | 190 | Relay bail | RT 16016 | SCHRACK | 0,60 |
| R1,R2 | 200 | LED + DIODE | RPML 0024 | SCHRACK | 6,25 |
| | 210 | Case Frame | 714.110 | WALTHER PROCON | 29,20 |
| | 220 | Female plug | 710.110 | WALTHER PROCON | 20,70 |
| | 230 | Screw for the Socket codes | 710.600 | WALTHER PROCON | 1,25 |
| | 240 | Case Frame | 758142 OVM | WALTHER PROCON | 25,00 |
| | 250 | Male Plug | 710.210 | WALTHER PROCON | 19,60 |
| | 300 | Plug for the valve | 18209N21 | MPM | 2,25 |
| S1.4 | 320 | Photocell | EE-SX872P | OMRON | 66,70 |