

EQUIPMENT SERVICE ON SITE



**OBIS**  
(ON-BOARD INFORMATION SYSTEM)  
**EEEE134A (TEXAS)**

# Parts Reference Manual



**December, 2002**

**All information contained or disclosed in this document is considered confidential and proprietary by Snap-on Tools Company. All manufacturing, use, reproduction, and sales rights are reserved by Snap-on Tools Company and the information contained herein shall not be used in whole or in part without the express written consent of Snap-on Tools Company.**

# PARTS

---

## GENERAL

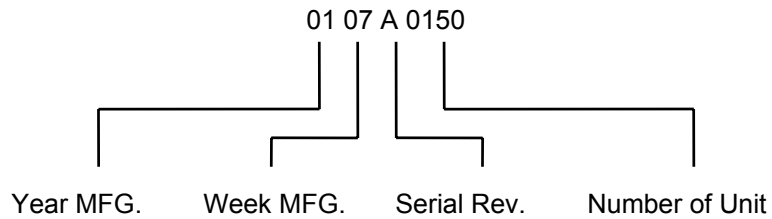
### EEEE134A (OBIS)

This document describes assemblies/subassemblies/parts considered replaceable at on-site field installation.

**NOTE:** *The following is a breakdown description of the Serial Number.*

Serial # Location - Back.

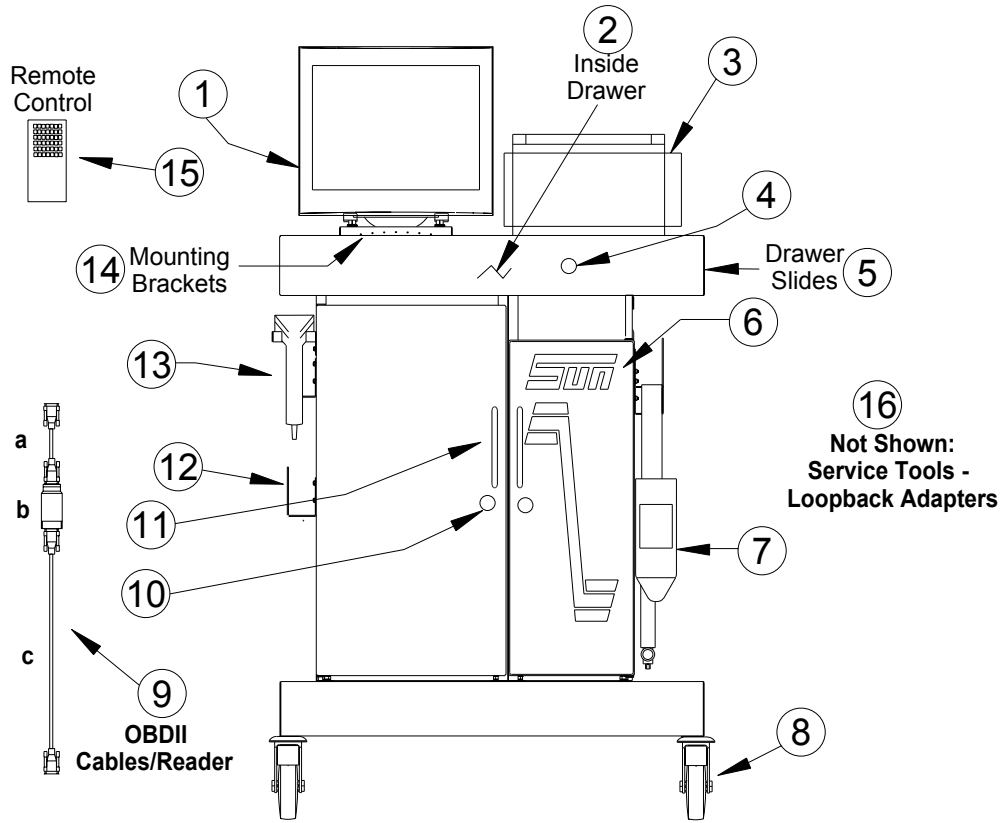
Example:



**NS:** NOT SHOWN IN PICTORIAL

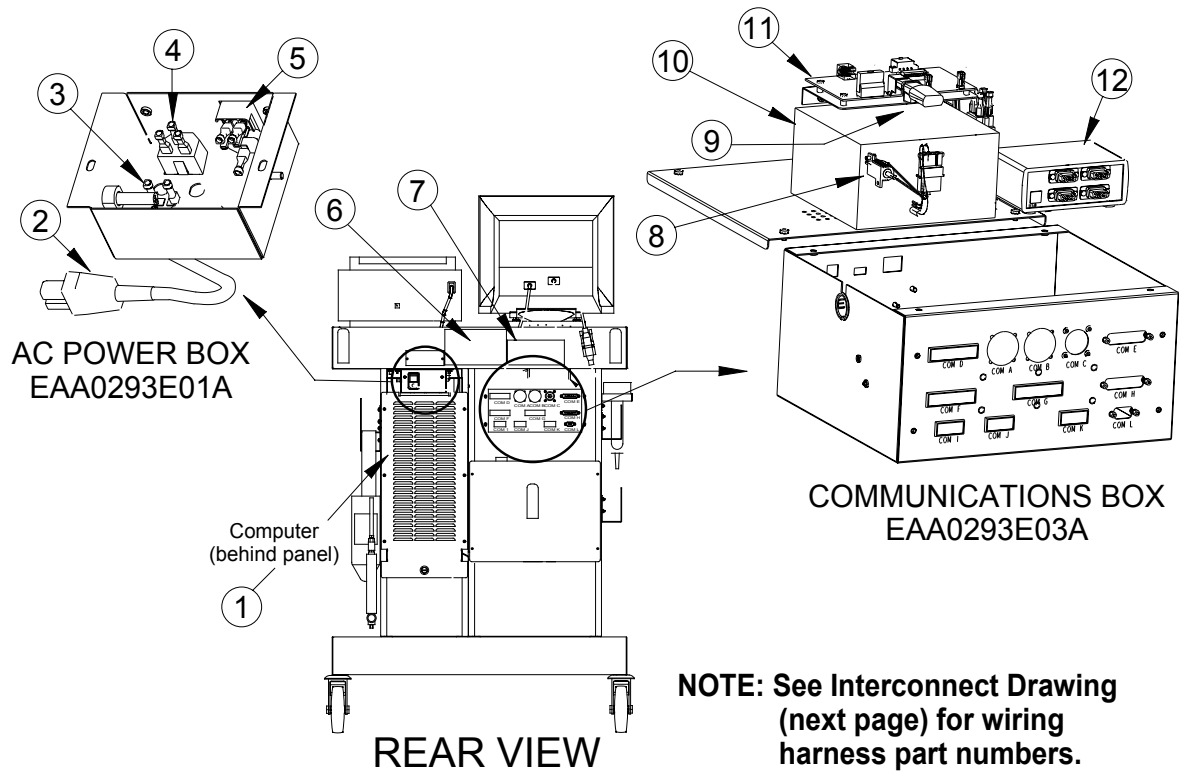
**PARTS BY PICTORIAL**

**FRONT VIEW**



ITEM	DESCRIPTION	PART NUMBER	ITEM	DESCRIPTION	PART NUMBER
1	Monitor, 16"	3-01308A	8b	Caster w/ brake	8-22139A
2a	Keyboard, PS2	EAE0025L30A	9a	Cable, null modem, 6"	6-04122A
2b	Mouse, PS2	EAE0032L60A	9b	OBDII Code Reader	EAE0032L51A
2c	Software, Snap Link	EESP304A	9c	Cable, OBDII Extension, 25'	6-04222A
3	Printer, Okidata 14E	EAE0050L40A	10	Plug	1-06576A
3a	Toner, (14E)	EAE0050L21A	11	Handle	8-08533A
3b	Image Drum (14E)	EAE0050L42A	12	Hanger	EAS2052E07A
3c	Paper, printer	8-01010A	13	Scanner Kit, 2D Bar Code	EAK0046L60A
4a	Board, IR Receiver	EAP0215E10A		w/ Head, Cable, Hanger and	
4b	Plug, window for IR Receiver Board	8-08016A		Bar Codes (Installation Instructions)	
5a	Drawer Slide (Right)	8-2488R	13a	Scanner, 2D, w/cable	EEEH100B
5b	Drawer Slide (left)	8-2488L	13b	Scanner, 2D, w/o cable	3-00606A
6	Label, Sun	EAL0363E16A	13c	Cable, Scanner	EAX0012L00B
7a	Gas Cap Tester, Waekon	EAA0145C20A	13d	Bracket, Hanger	EAS2030L10A
7b	Standard, Pass/Fail	EAA0145C22A	14	Brackets, Monitor	EAS2037E65A
7c	Cable, Gas Cap Tester	EAW0166L03A	15	Remote Control	7009E9321-30
8a	Caster, w/o brake	8-22039A	16a	Loopback Adapter, 7 pin	EAE0030L10A
			16b	Loopback Adapter, 9 pin	EAE0027L05A
			16c	Loopback Adapter, 25 pin	EAE0027L04A
			NS	Latch, magnetic	8-2142

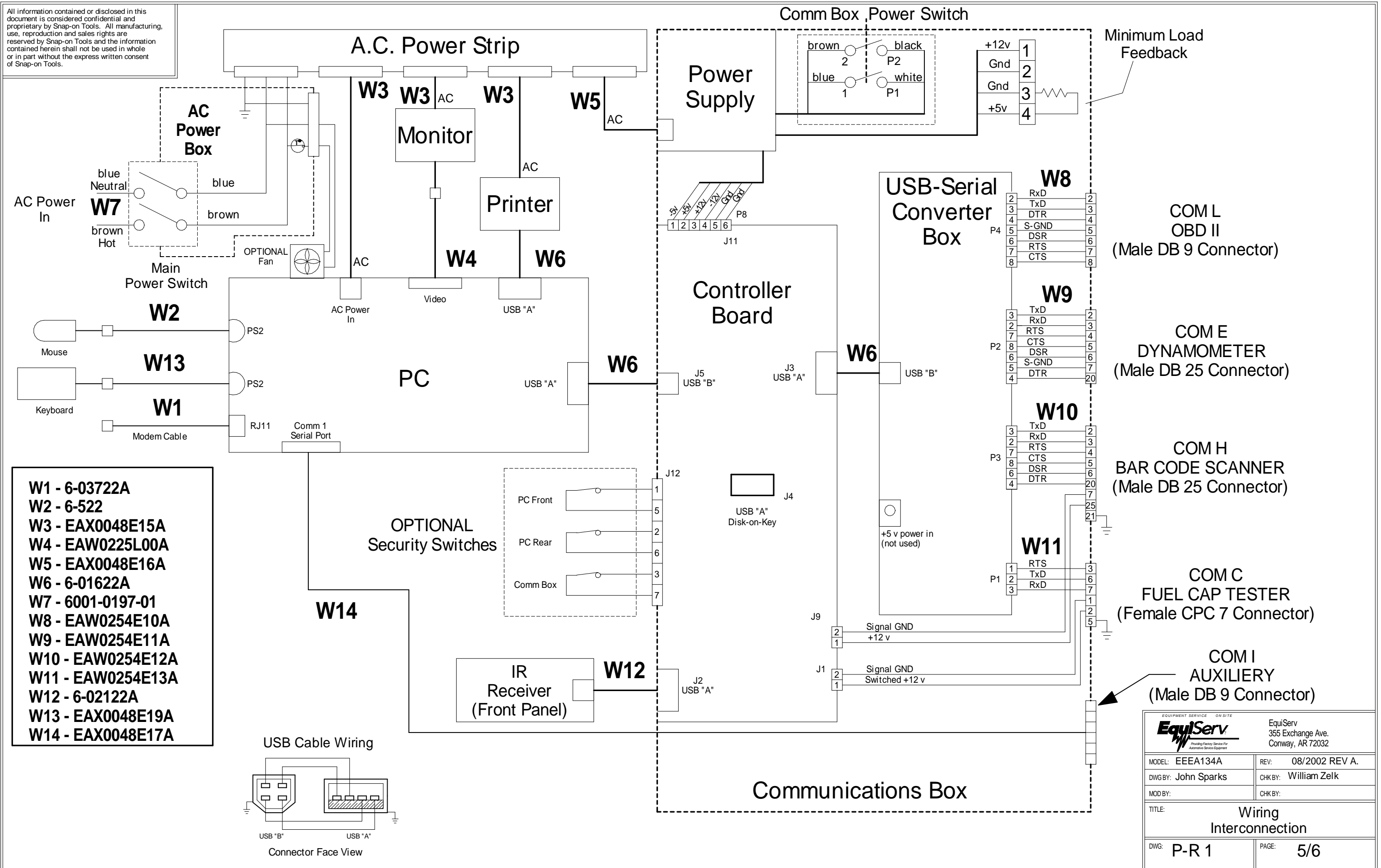
**SUBASSEMBLIES**



ITEM	DESCRIPTION	PART NUMBER	ITEM	DESCRIPTION	PART NUMBER
1a	Computer Tower(GX-150)	EAA0293L11A	8	Resistor Assy, 6.8Ω 25w	EAA0282E11A
1b	Computer Tower(GX-260)	EAA0293L13A	9	DiskOnKey, black, 8 MB	EAE0032L65A
2	Cable, AC power, int.	EAW0254E04A	10	Power Supply, 200w	2-32766A
3	Switch, Thermal	2-35566A	11	Board, Controller	EAP0215E20A
4	Outlet, IEC, single	2-00439A	12	USB-Serial Converter Box	2-00639A
5	Switch, Main Power	2-30466A	<b>NS</b>	Power Strip, AC, quad	2-865A
6	Label, Warning/Caution	EAL0144C00A			
7	Label, Warning/Caution	0682-1001-01			



All information contained or disclosed in this document is considered confidential and proprietary by Snap-on Tools. All manufacturing, use, reproduction and sales rights are reserved by Snap-on Tools and the information contained herein shall not be used in whole or in part without the express written consent of Snap-on Tools.



EQUIPMENT SERVICE ON SITE		EquiServ 355 Exchange Ave. Conway, AR 72032	
MODEL: EEEA134A	REV: 08/2002 REV A.	CHKBY: William Zelk	
DWGBY: John Sparks	MODBY:	CHKBY:	
TITLE: <b>Wiring Interconnection</b>			
DWG: P-R 1	PAGE: 5/6		

## PARTS IN ALPHABETICAL ORDER

DESCRIPTION	PART NUMBER	COMMENTS
Board, Controller	EAP0215E20A	Page 3, item 11
Board, IR Receiver	EAP0215E10A	Page 2, item 4a
Bracket, Hanger	EAS2030L10A	Page 2, item 13d
Brackets, Monitor	EAS2037E65A	Page 2, item 14
Cable, AC power, int.	EAW0254E04A	Page 3, item 2
Cable, AC Power, internal	EAX0048E15A	Interconnect Drawing, page 5/6, W3
Cable, AC Power, internal	EAX0048E16A	Interconnect Drawing, page 5/6, W5
Cable, AC Power, main	6001-0197-01	Interconnect Drawing, page 5/6, W7
Cable, Gas Cap Tester	EAW0166L03A	Page 2, item 7c
Cable, Modem	6-03722A	Interconnect Drawing, page 5/6, W1
Cable, null (OBD)	6-02822A	Page 2, item 9b
Cable, OBDII Extension, 25'	6-04222A	Page 2, item 9c
Cable, PS2 extension	6-522	Interconnect Drawing, page 5/6, W2
Cable, Scanner	EAX0012L00B	Page 2, item 13c
Cable, Serial Extension	EAX0048E14A	Interconnect Drawing, page 5/6, W14
Cable, USB	6-01622A	Interconnect Drawing, page 5/6, W6
Cable, USB	6-02122A	Interconnect Drawing, page 5/6, W12
Cable, Video extension	EAW0225L00A	Interconnect Drawing, page 5/6, W4
Caster w/ brake	8-22139A	Page 2, item 8b
Caster, w/o brake	8-22039A	Page 2, item 8a
Computer (GX-150)	EAA0293L11A	Page 3, item 1a
Computer (GX-260)	EAA0293L13A	Page 3, item 1b
DiskOnKey, black, 8 MB	EAE0032L65A	Page 3, item 9
Drawer Slide (left)	8-2488L	Page 2, item 5b
Drawer Slide (Right)	8-2488R	Page 2, item 5a
Gas Cap Tester, Waekon	EAA0145C20A	Page 2, item 7a
Handle	8-08533A	Page 2, item 11
Hanger	EAS2052E07A	Page 2, item 12
Image Drum (14E)	EAE0050L42A	Page 2, item 3b
Keyboard, PS2	EAE0025L30A	Page 2, item 2a
Label, Sun	EAL0363E16A	Page 2, item 6
Label, Warning/Caution	EAL0144C00A	Page 3, item 6
Label, Warning/Caution	0682-1001-01	Page 3, item 7
Latch, magnetic	8-2142	Page 2, not shown in drawing, on inside door's edges
Loopback Adapter, 7 pin	EAE0030L10A	Page 2, item 16a
Loopback Adapter, 9 pin	EAE0027L05A	Page 2, item 16b
Loopback Adapter, 25 pin	EAE0027L04A	Page 2, item 16c
Monitor, 16"	3-01308A	Page 2, item 1
Mouse, PS2	EAE0032L60A	Page 2, item 2b
OBD Reader	EAE0032L50A	Page 2, item 9a
Outlet, IEC, single	2-00439A	Page 3, item 4
Paper, printer	8-01010A	Page 2, item 3c
Plug	1-06576A	Page 2, item 10
Plug, window for IR	8-08016A	Page 2, item 4b
Receiver Board		
Power Strip, AC, quad	2-865A	Page 3, not shown in drawing
Power Supply, 200w	2-32766A	Page 3, item 10
Printer, Okidata 14E	EAE0050L40A	Page 2, item 3
Remote Control	7009E9321-30	Page 2, item 15
Resistor Assy, 6.8Ω 25w	EAA0282E11A	Page 3, item 8



**EEEE134A PARTS**

---

<b><u>DESCRIPTION</u></b>	<b><u>PART NUMBER</u></b>	<b><u>COMMENTS</u></b>
Scanner Kit, 2D Bar Code w/ Head, Cable, Hanger and Bar Codes (Installation Instructions)	EAK0046L60A	Page 2, item 13, complete kit.
Scanner, 2D, w/cable	EEEH100B	Page 2, item 13a
Scanner, 2D, w/o cable	3-00606A	Page 2, item 13b
Software, Snap Link Standard, Pass/Fail	EESP304A	Page 2, item 2c
Switch, Main Power	EAA0145C22A	Page 2, item 7b
Switch, Thermal	2-30466A	Page 3, item 5
Toner, (14E)	2-35566A	Page 3, item 3
USB-Serial Converter Box	EAE0050L21A	Page 2, item 3a
Wiring Harness, Com C	2-00639A	Page 3, item 12
Wiring Harness, Com E	EAW0254E13A	Interconnect Drawing, page 5/6, W11
Wiring Harness, Com H	EAW0254E11A	Interconnect Drawing, page 5/6, W9
Wiring Harness, Com L	EAW0254E12A	Interconnect Drawing, page 5/6, W10
Wiring Harness, Com L	EAW0254E10A	Interconnect Drawing, page 5/6, W8

## PARTS IN NUMERICAL ORDER

<b>PART NUMBER</b>	<b>DESCRIPTION</b>	<b>COMMENTS</b>
0682-1001-01	Label, Warning/Caution	Page 3, item 7
1-06576A	Plug	Page 2, item 10
2-00439A	Outlet, IEC, single	Page 3, item 4
2-00639A	USB-Serial Converter Box	Page 3, item 12
2-30466A	Switch, Main Power	Page 3, item 5
2-32766A	Power Supply, 200w	Page 3, item 10
2-35566A	Switch, Thermal	Page 3, item 3
2-865A	Power Strip, AC, quad	Page 3, not shown in drawing
3-00606A	Scanner, 2D, w/o cable	Page 2, item 13b
3-01308A	Monitor, 16"	Page 2, item 1
6001-0197-01	Cable, AC Power, main	Interconnect Drawing, page 5/6, W7
6-01622A	Cable, USB	Interconnect Drawing, page 5/6, W6
6-02122A	Cable, USB	Interconnect Drawing, page 5/6, W12
6-02822A	Cable, null (OBD)	Page 2, item 9b
6-03722A	Cable, Modem	Interconnect Drawing, page 5/6, W1
6-04222A	Cable, OBDII Extension, 25'	Page 2, Item 9c
6-522	Cable, PS2 extension	Interconnect Drawing, page 5/6, W2
7009E9321-30	Remote Control	Page 2, item 15
8-01010A	Paper, printer	Page 2, item 3c
8-08016A	Plug, window for IR Receiver Board	Page 2, item 4b
8-08533A	Handle	Page 2, item 11
8-2142	Latch, magnetic	Page 2, not shown in drawing, on inside door's edges
8-22039A	Caster, w/o brake	Page 2, item 8a
8-22139A	Caster w/ brake	Page 2, item 8b
8-2488L	Drawer Slide (left)	Page 2, item 5b
8-2488R	Drawer Slide (Right)	Page 2, item 5a
EAA0145C20A	Gas Cap Tester, Waekon	Page 2, item 7a
EAA0145C22A	Standard, Pass/Fail	Page 2, item 7b
EAA0282E11A	Resistor Assy, 6.8 $\Omega$ 25w	Page 3, item 8
EAA0293L11A	Computer (GX-150)	Page 3, item 1a
EAA0293L13A	Computer (GX-260)	Page 3, item 1b
EAE0025L30A	Keyboard, PS2	Page 2, item 2a
EAE0027L05A	Loopback Adapter, 9 pin	Page 2, item 16b
EAE0027L04A	Loopback Adapter, 25 pin	Page 2, item 16c
EAE0030L10A	Loopback Adapter, 7 pin	Page 2, item 16a
EAE0032L50A	OBD Reader	Page 2, item 9a
EAE0032L60A	Mouse, PS2	Page 2, item 2b
EAE0032L65A	DiskOnKey, black, 8 MB	Page 3, item 9
EAE0050L21A	Toner, (14E)	Page 2, item 3a
EAE0050L40A	Printer, Okidata 14E	Page 2, item 3
EAE0050L42A	Image Drum (14E)	Page 2, item 3b
EAK0046L60A	Scanner Kit, 2D Bar Code w/ Head, Cable, Hanger and Bar Codes (Installation Instructions)	Page 2, item 13, complete kit.
EAL0144C00A	Label, Warning/Caution	Page 3, item 6
EAL0363E16A	Label, Sun	Page 2, item 6
EAP0215E10A	Board, IR Receiver	Page 2, item 4a
EAP0215E20A	Board, Controller	Page 3, item 11
EAS2030L10A	Bracket, Hanger	Page 2, item 13d
EAS2037E65A	Brackets, Monitor	Page 2, item 14
EAS2052E07A	Hanger	Page 2, item 12

**EEEE134A PARTS**

---

<b><u>PART NUMBER</u></b>	<b><u>DESCRIPTION</u></b>	<b><u>COMMENTS</u></b>
EAW0166L03A	Cable, Gas Cap Tester	Page 2, item 7c
EAW0225L00A	Cable, Video extension	Interconnect Drawing, page 5/6, W4
EAW0254E04A	Cable, AC power, int.	Page 3, item 2
EAW0254E10A	Wiring Harness, Com L	Interconnect Drawing, page 5/6, W8
EAW0254E11A	Wiring Harness, Com E	Interconnect Drawing, page 5/6, W9
EAW0254E12A	Wiring Harness, Com H	Interconnect Drawing, page 5/6, W10
EAW0254E13A	Wiring Harness, Com C	Interconnect Drawing, page 5/6, W11
EAX0012L00B	Cable, Scanner	Page 2, item 13c
EAX0048E15A	Cable, AC Power, internal	Interconnect Drawing, page 5/6, W3
EAX0048E16A	Cable, AC Power, internal	Interconnect Drawing, page 5/6, W5
EAX0048E17A	Cable, Serial Extension	Interconnect Drawing, page 5/6, W14
EEEH100B	Scanner, 2D, w/cable	Page 2, item 13a
EESP304A	Software, Snap Link	Page 2, item 2c



EQUIPMENT SERVICE ON SITE



355 EXCHANGE AVE  
CONWAY, ARKANSAS 72032