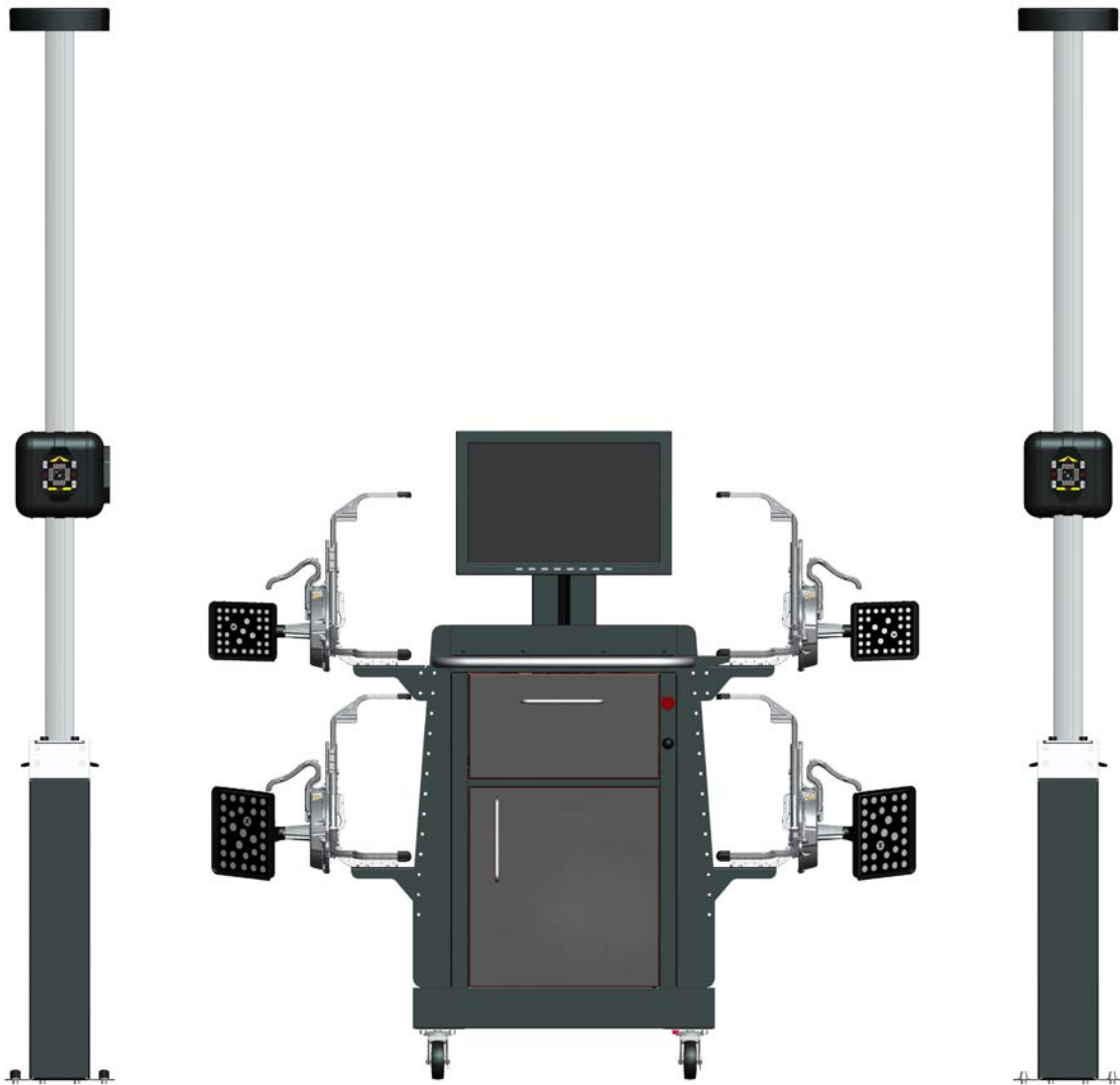


WHEEL ALIGNER



Parts Manual

3 CAMERA IMAGING ALIGNER, WIRELESS

TEEWA553B3

All information contained or disclosed in this document is considered confidential and proprietary by Snap-on Equipment. All manufacturing, use, reproduction, and sales rights are reserved by Snap-on Equipment and the information contained herein shall not be used in whole or in part without the express written consent of Snap-on Equipment.

Table of Contents

PC ASSEMBLY.....	3
CABINET	4
KIT USB RADIO	6
POWER BOX	7
CAMERA PODS	8
CAM/CAM ASSEMBLY.....	10
CAM/TARGET ASSEMBLY	10
POD CAR	12
MOTOR / GEAR ASSEMBLY	13
AC400 WHEEL CLAMP.....	14
BASE TOWER.....	16
ELECTRICAL MOUNT PLATE ASSY	17
BASE TOWER ASSY	18

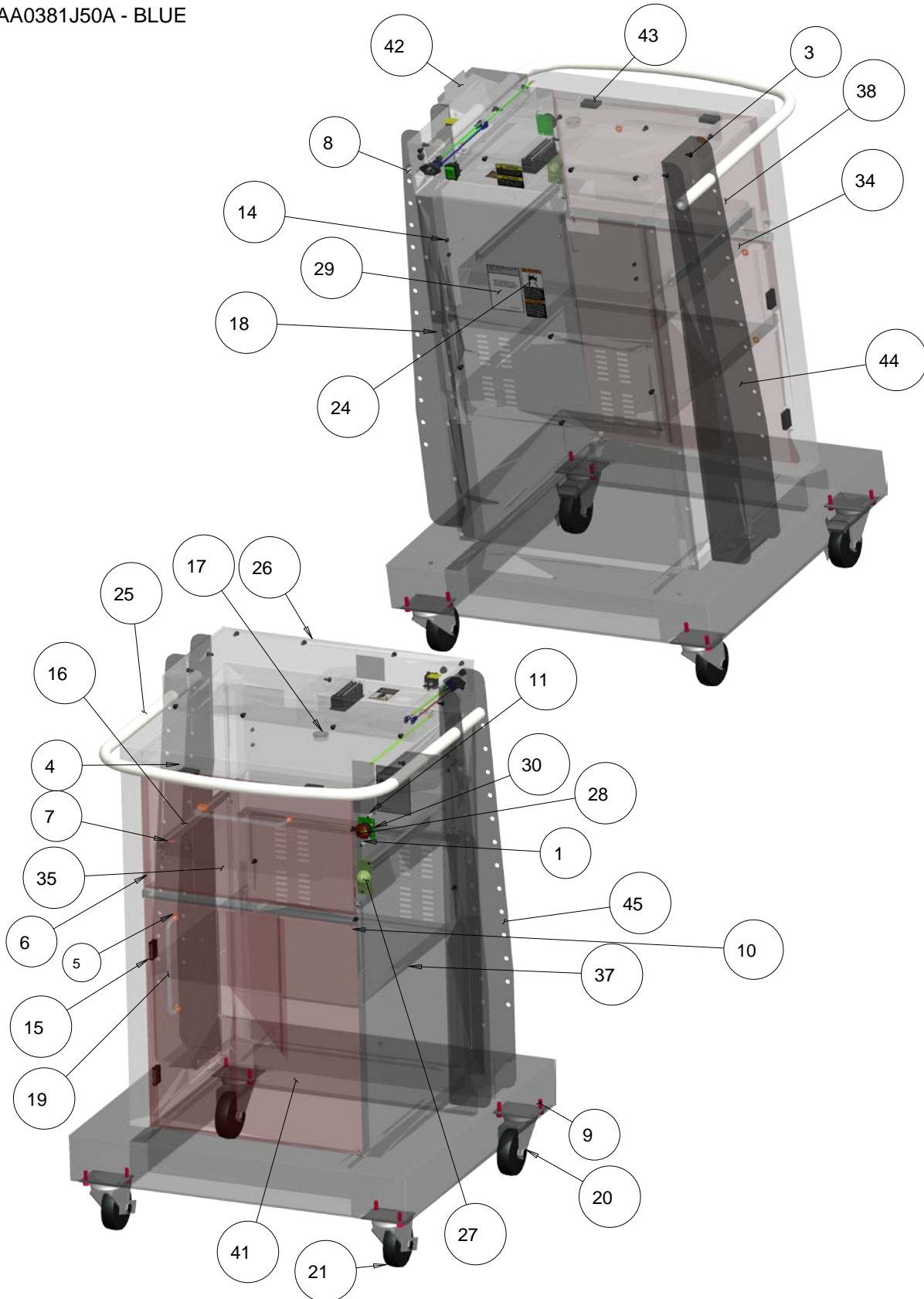
PART NUMBER	DESCRIPTION
EAK0268J05A	Printer Kit - USB
88931	Power Cord / Label Asm
EAK0277J82A	Literature Pack Generic
EAL0343J76A	Label - Serial
5-06735A	Tubing - Flexible W/Slit 3/4" OD
96	Depressor Assy. Pedal
55502	Steering Wheel Holder
EAK0289J61B	Kit, 24" LCD
EAA0361J12A	PC ASM Pro42 Aligner
EAK0289J22B	Kit Hanger Brackets, AC400
EAC0090J82A	Wheel Chock Rubber
EAK0289J23A	Kit Remote Control
EAL0392J89A	Label - Customer Service JBC
3-40026C	Software - Key Disk JBC 3.4
3-40126C	Software - Key Disk Hofmann 3.4
3-20726A	Software - Key Disc, Platinum
EAS2119J03A	Bracket - Monitor Mount
1-16006A	Screw - M5 x 12 mm PH Blk
1103959000	Washer - Flat M5
EAK0305J63A	Kit, Decal Std JBC / Visuliner
EAK0305J62A	Kit - Geoliner 790 Decals
EAK0256J71A	Measuring Kit Ride Height
EAK0305J59A	Kit – AC400, Front Shipmt, Pair
EAK0305J60A	Kit – AC400, Rear Shipmt, Pair
EAA0381J49A	Console Assy, V3400, JBC
EAA0381J50A	Console Asm – Geoliner, Hofmann
EAA0381J52A	V3400 Top Level Assy
89209	Cord – Power, Adapter, 12"
88635	Power Cord – IEC, 3A

PC ASSEMBLY

Part Number	Description
3-02806J	PC, DELL OPTIPLEX, 3010, SFF
3-61526TV1	S/W ASSY – PRO42, v7.5
3-61626NV1	PRO42 ALIGNMENT DATABASE ASSY, 3Q12
3-55726X	SOFTWARE-SPECS KEY CODE
5-10426A2	TAPE-LOOP VELCRO # 1000
5-10426A1	TAPE-HOOK VELCRO # 88
T3-02806CB	INSTRUCTIONS –WINDOWS 7 SET-UP INST.
3-61726C	MITCHELL TSB DATA, V3.0
3-61926C	ACTIVATION KEY, MITCHELL TSB
3-61826C	MITCHELL TPMS DATA, V3.0
3-62026C	ACTIVATION KEY, MITCHELL TPMS
88716	DECAL-KEY BOARD, FUNCTION KEYS

CABINET

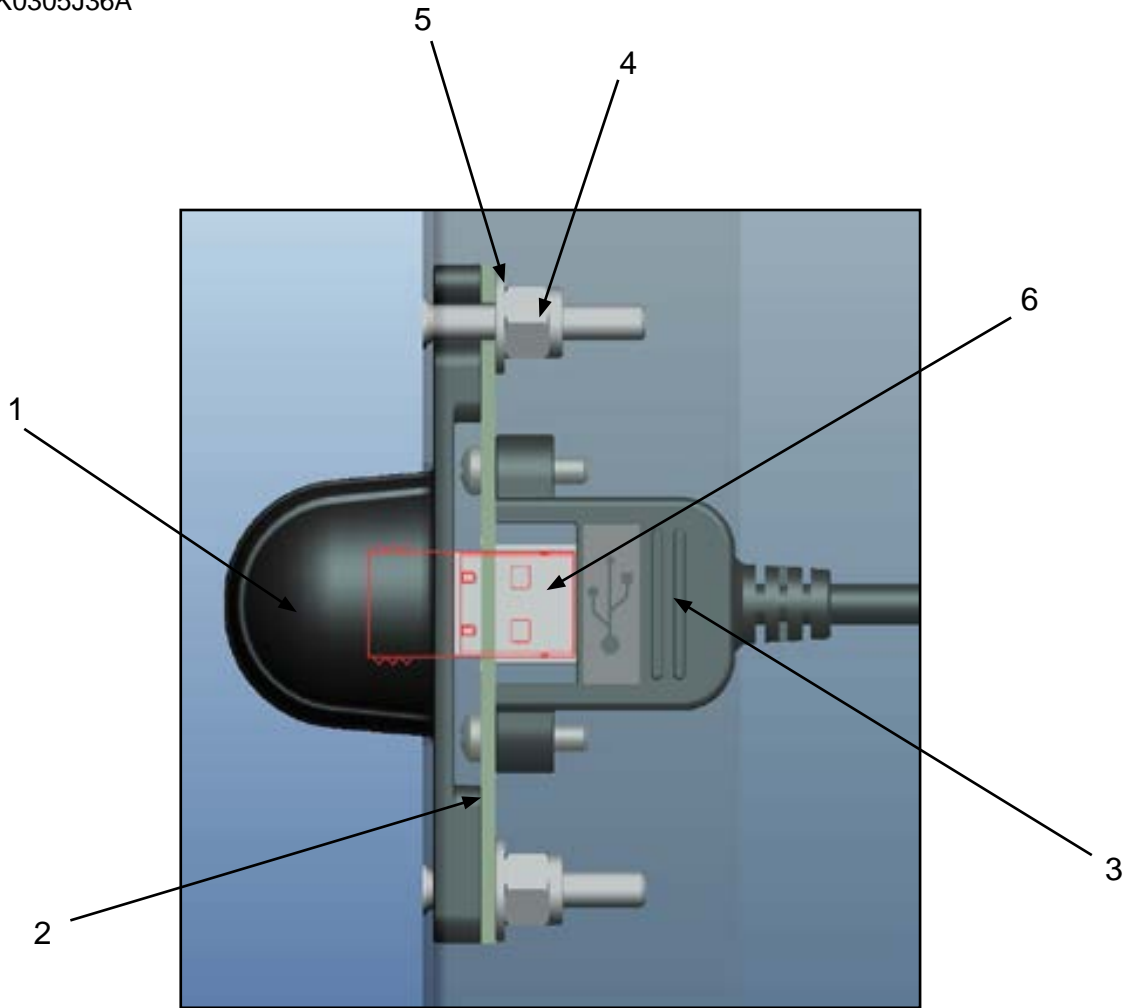
EAA0381J49A - RED
EAA0381J50A - BLUE



SYM	REQ	PART NO	DESCRIPTION
1	2	1-04084A	STANDOFF - NYLON
2	65	1-15158A	RIVET 4.8MM, BLACK
3	10	1-16006A	SCREW-M5X12MM PAN HD, BLK
4	4	1-18206	SCREW M3 X 12, PAN HD, BLK
5	14	1-18941A	WASHER-FLAT, .195 X .619 X .06 THICK
6	4	1-25306A	PHMS, M5 X 20MM
7	12	1-38909A	BHCS, M4 X 12MM
8	2	1-42509A	SCREW-BHCS,M4 X 25MM
9	8	1-55501A	SCREW, HEX 5/16"-12X1" SELF DRILL
10	4	1-5665	BUSHING - SHOULDER
11	2	1-9733	NUT-M4 ZINC
12	1	5-11026A	STRAP NYLON, 3/4"X72",DBL BUCKLE, BLK
13	1	8-02164A	SKID - CABINET
14	4	8-02340A	CLIP KEYHOLE NYLON
15	4	8-03642A	MAGNETIC CATCH
16	2	8-06488A	SLIDE RAILS UNIVERSAL CONSOLE
17	2	8-08116A	BUSHING-SNAP 16/16ID,29/64LG
18	1	8-09819A	STRAIN RELIEF ROUND CABLE
19	2	8-11133A	HANDLE- PC/PRINTER SHELF DOORS
20	2	8-28839A	CASTOR-SWIVEL 4"
21	2	8-28939A	CASTOR-SWIVEL 4" WITH BRAKE
23	1	88635	POWER CORD-3 COND IEC-301
24	1	111243	LABEL-WARNING EXPLOSION
25	1	EAA0353J29A	HANDLE ASSY - CHROME PLATED
26	1	EAA0353J58B	ASSY., ELECTRICAL SHELF, V3D3
27	1	EAK0305J36A	KIT- USB RADIO
28	1	EAL0343J22A	WINDOW-REMOTE
29	1	EAL0392J18A	LABEL-PATENT ALIGNMENT
30	1	EAP0238J54A	PCB ASSY- USB, IR
34	1	EAS2091J56A	PRINTER TRAY ASSY UNIVERSAL CONSOLE
35	1	EAS2091J59A	DOOR - PRINTER SHELF UNIVERSAL CONSOLE (RED)
		EAS2105J02A	DOOR - PRINTER SHELF UNIVERSAL CONSOLE (BLUE)
37	1	EAS2091J74A	TRAY - PC SHELF UNIVERSAL CONSOLE
38	1	EAS2091J81A	TRAY ASSY - PRINTER UNIVERSAL CONSOLE
41	1	EAS2091J94A	DOOR WLDMT PC SHELF (RED)
		EAS2105J01A	DOOR WLDMT PC SHELF (BLUE)
42	1	EAS2105J37A	MOUSE - TRAY UNIVERSAL CONSOLE
43	2	EAS2105J40A	BRACKET - MTG, MAGNETIC CATCH
44	1	EAS2105J49A	BRACKET - REINFORCEMENT, LH
45	1	EAS2105J50A	BRACKET - REINFORCEMENT, RH
60	4	5-03945B	MOUNT, CABLE TIE, BLACK, 1"X1"
61	4	4500-0029	CABLE TIE, BLACK

KIT USB RADIO

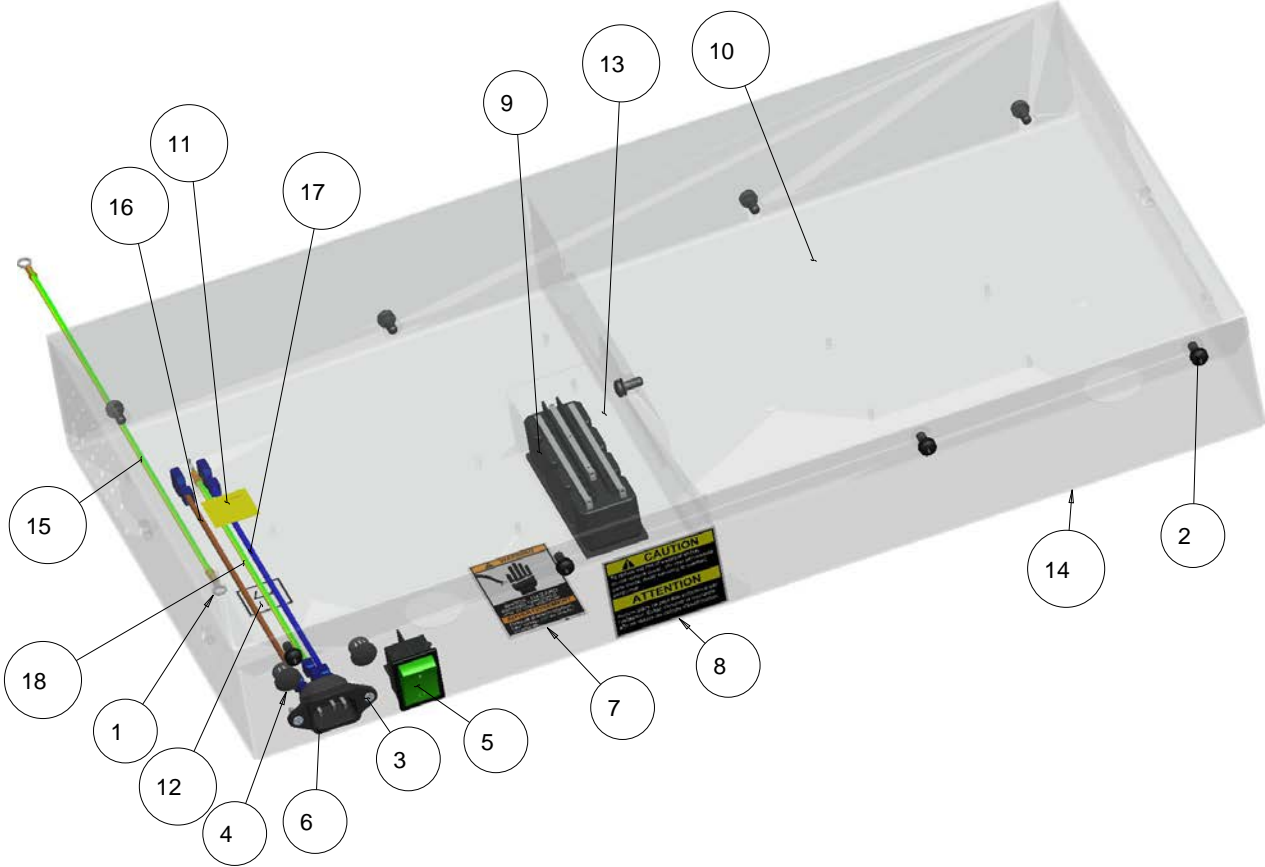
EAK0305J36A



REQD	ITEM	PART NUMBER	DESCRIPTION
1	1	EAC0105J44A	COVER - USB RADIO, PRISM CAB
1	2	EAS2119J47A	BRACKET - USB RADIO, SUPPORT
1	3	EAW0235J78A	CABLE ASM - USB RADIO
2	4	1-01737A	NUT - ESNA, M4
2	5	1-16441	WASHER - FLAT, M4
1	6	2-02639A	USB RADIO

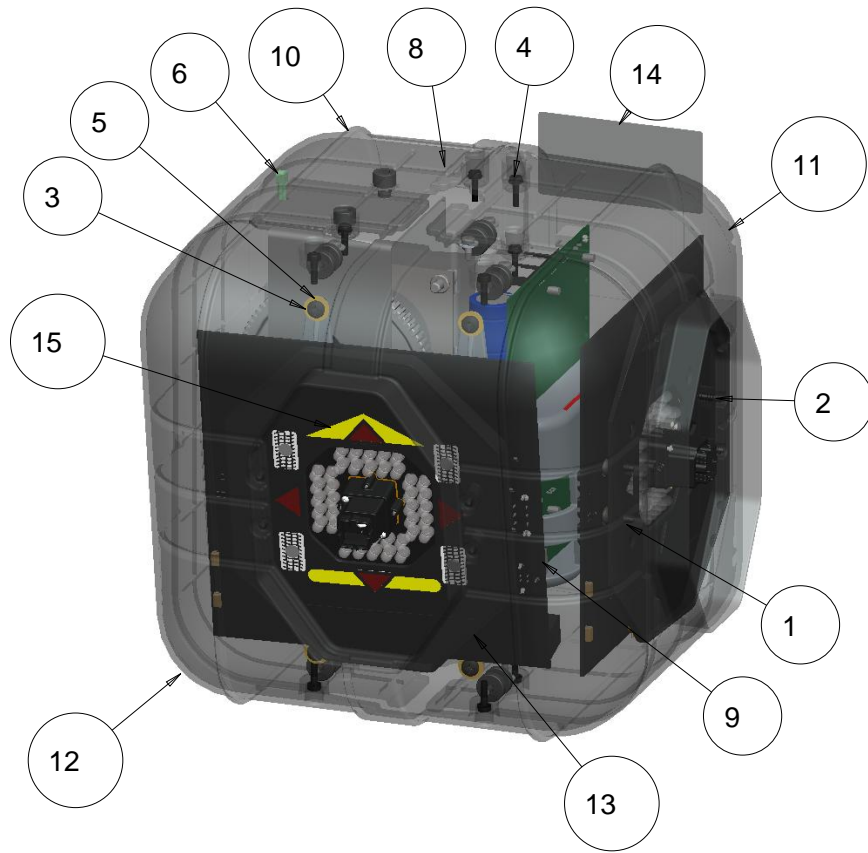
POWER BOX

EAA0353J58B

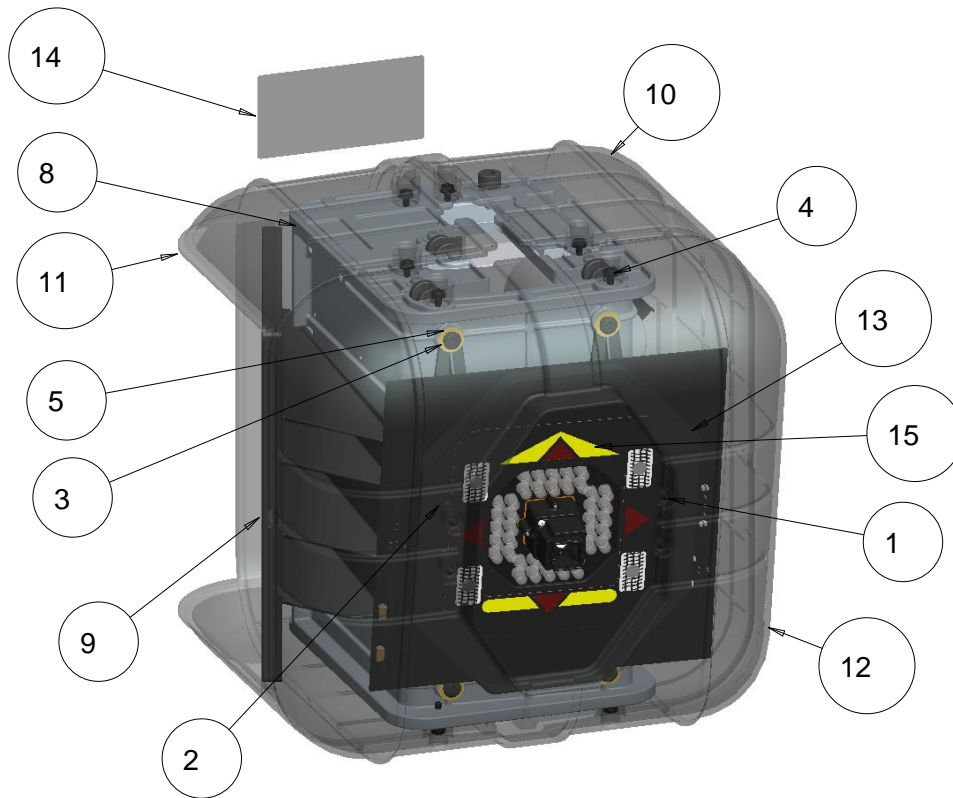


SYM	REQD	PART NO	DESCRIPTION
1	3	1-13633A	BARB NUT M5
2	9	1-16006A	SCREW-M5X12MM PAN HD, BLK
3	2	1-18206	SCREW M3 X 12, PAN HD, BLK
4	2	1-2376	HOLE PLUG
5	1	2-14258A	ROCKER SWITCH, ILLUMINATED, GREEN
6	1	2-64448A	IEC 320-C14 AC RECEPTACLE
7	1	86465	LABEL-WARNING, SHOCK HAZARD
8	1	111245	LABEL-CAUTION, ELECTRICAL
9	1	EAA0261P60B	POWER STRIP - 4 CON
10	1	EAA0361J43A	PANEL ASM - ELECT BOX, TOP
11	1	EAL0345P54A	ELECTRICAL WARNING LABEL
12	1	EAL0392J19A	LABEL-GROUND
13	1	EAS2091J29B	BRACKET
14	1	EAS2091J95B	ELECTRICAL BOX ASSY UNIVERSAL CONSOLE
15	1	EAW0235J36A	CABLE ASSY- GROUND, 12"
16	1	EAW0243P22A	LINK WIRE, BROWN
17	1	EAW0243P23A	LINK WIRE, BLUE
18	1	EAW0243P25A	LINK WIRE, GRN/YEL

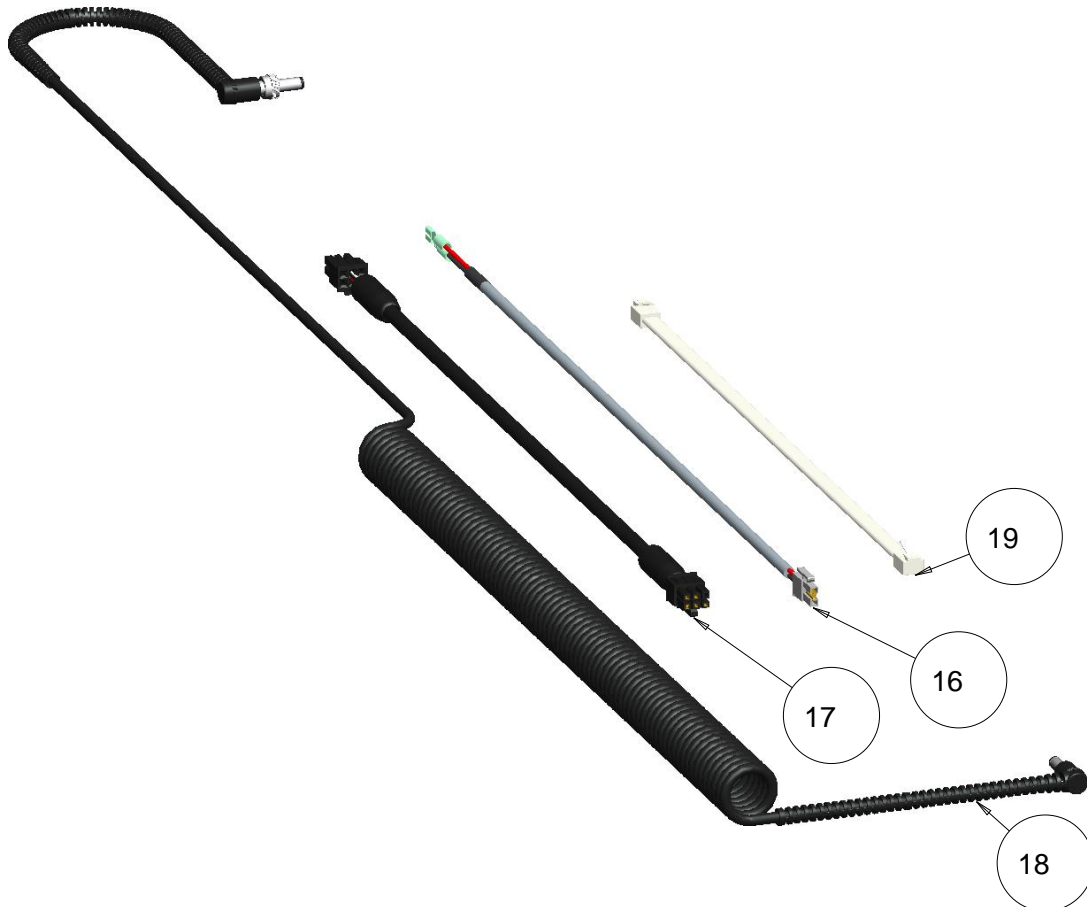
CAMERA PODS
EAA0381J30A



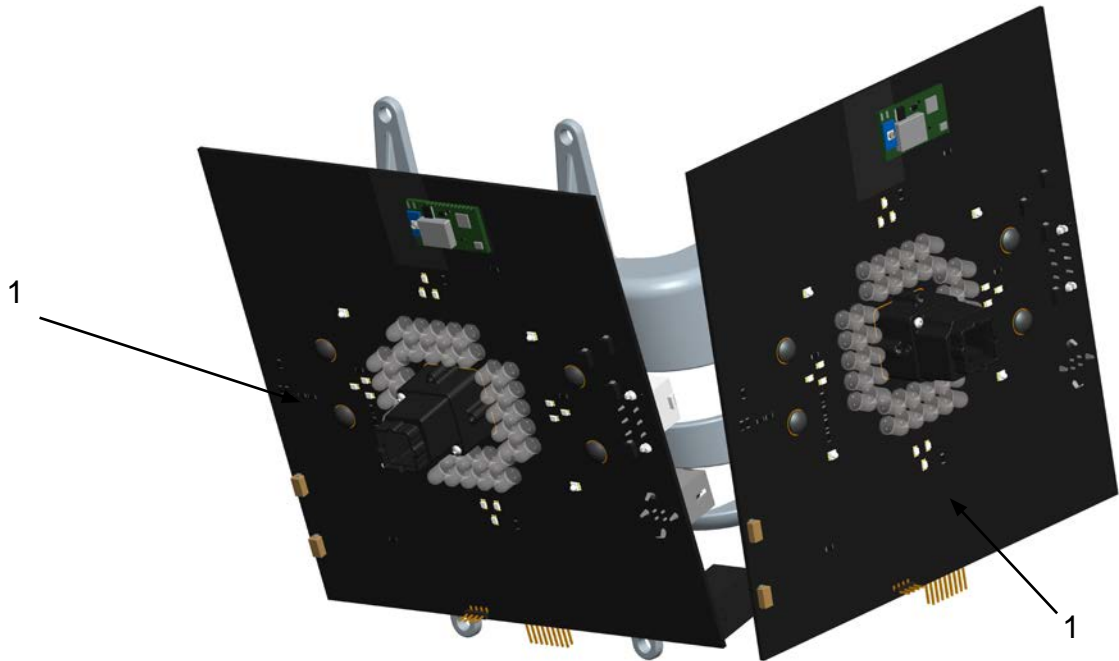
EAA0381J31A



SYM	REQD	PART NO	DESCRIPTION
1	4	1-12724A	SCREW - #6-19 X 1/4 SELF TAP - TRI
2	4	1-12824A	SCREW - #6-19 X 1/2 SELF TAP - TRI
3	4	1-13204A2	SCREW - PHM, M4 X 10MM X 12MM
4	12	1-18206	SCREW - PHM, M3 X 12M W/ WASHER
5	4	1-5547	WASHER-LOCK, EXT, M4
6	2	5-2345	TIE - CABLE 4" LG X .10" WD
7	1	8-09919A	STRAIN RELIEF
8	1	EAA0381J27A	POD ASSY - V3D3, COMMON
9	1	EAA0381J28A	CAM-CAM ASSY - V3D3
	1	EAA0381J29A	CAM-TAR ASSY - V3D3
10	1	EAC0116J08A	COVER - V3D3, SOLID
11	1	EAC0116J11A	COVER - V3D3, CALCAM
	1	EAC0116J10A	COVER - V3D3, TARGET
12	1	EAC0116J12A	COVER - V3D3, FRONT
13	2	EAC0116J13A	COVER - V3D3, VODI
14	1	EAL0343J76A	ELECT/SERIAL LABEL
15	1	EAL0343J81A	GRAPHIC FACE PLATE - V3D2
16	1	EAW0235J48A	CABLE ASS'Y, ULTRA MOTOR CABLE
17	2	EAW0235J51A	CABLE ASSY-CAMERA, ULTRA ARAGO
18	1	EAW0235J82A	CABLE - POWER, COILED V3D3
19	1	EAW0235J87A	CABLE ASM - V3D3, COMM.

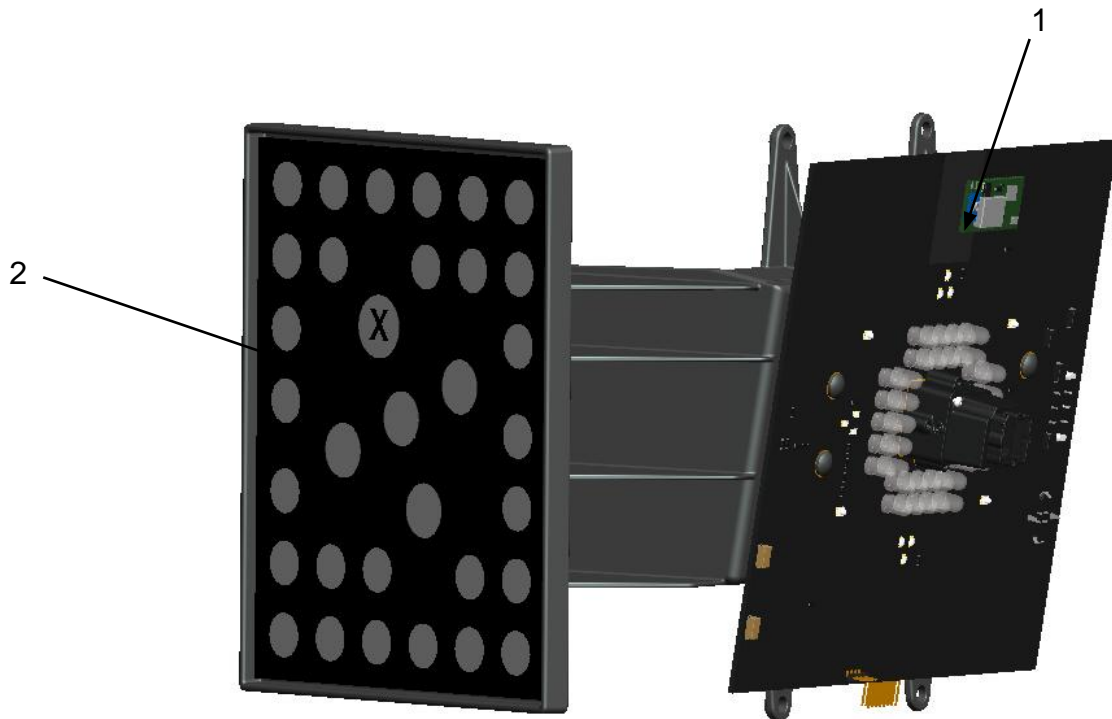


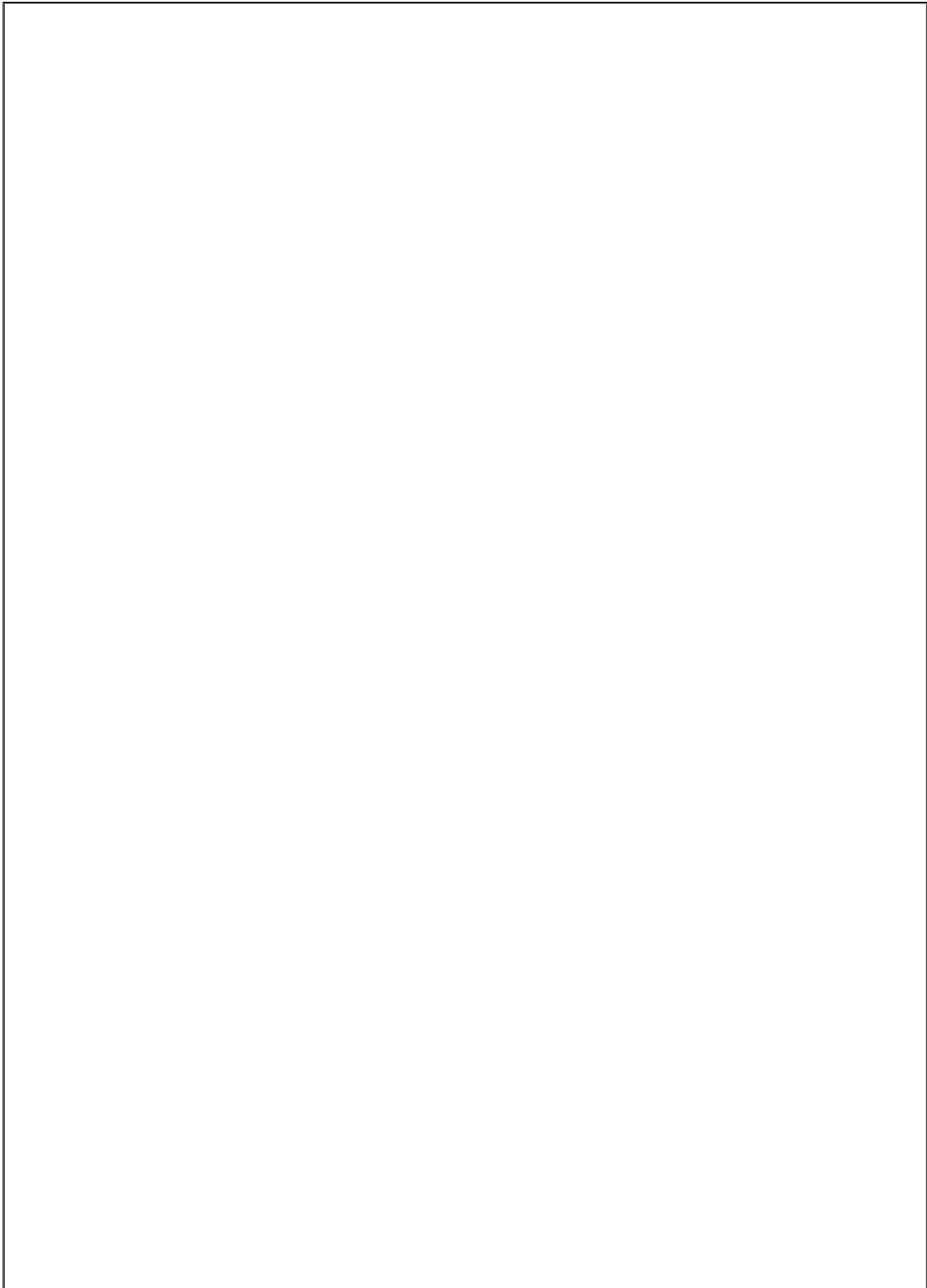
CAM/CAM ASSEMBLY



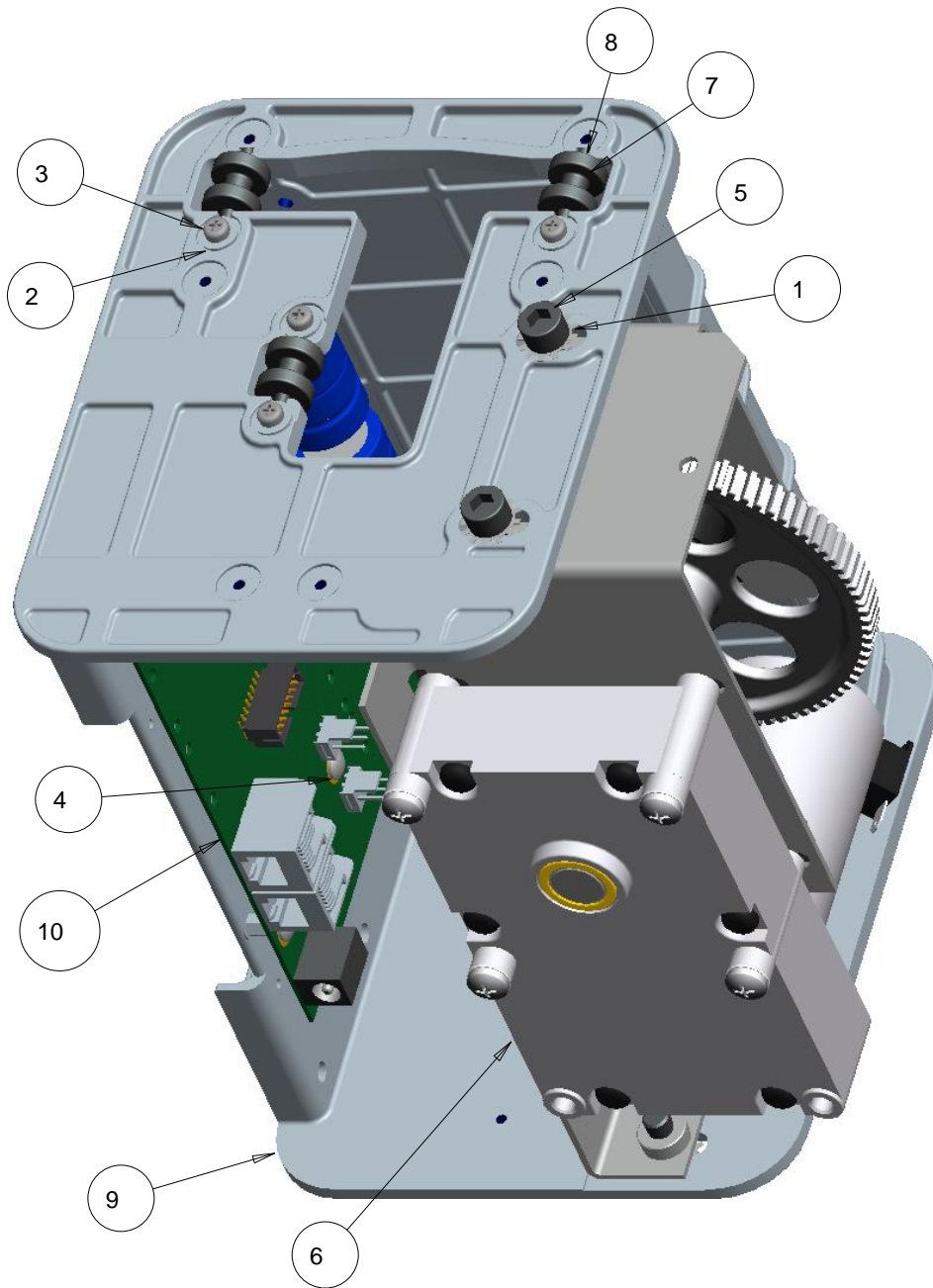
REF	REQ	PART NO	DESCRIPTION
1	1	EAK0277J97C	CAMERA SERVICE KIT.
2	1	EAK0305J79A	TARGET BRACKET ASSY

CAM/TARGET ASSEMBLY



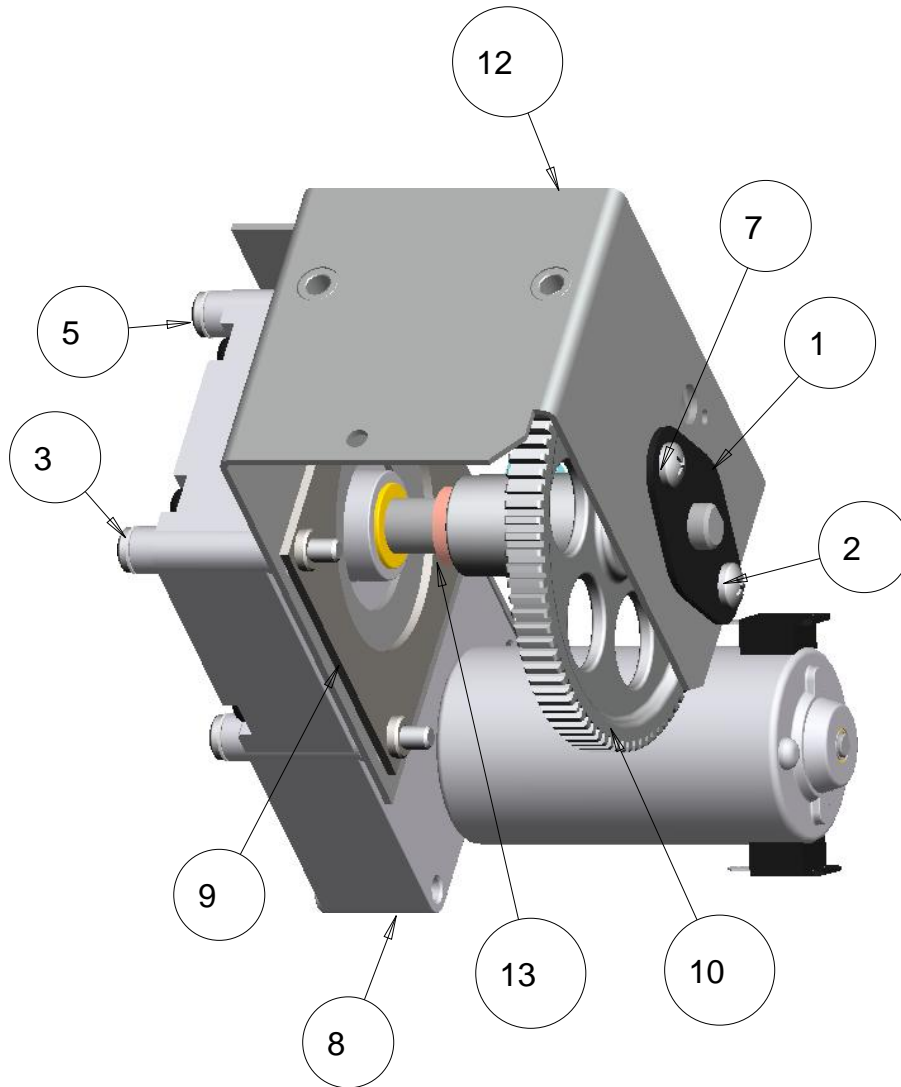


POD CAR
EAA0381J27A



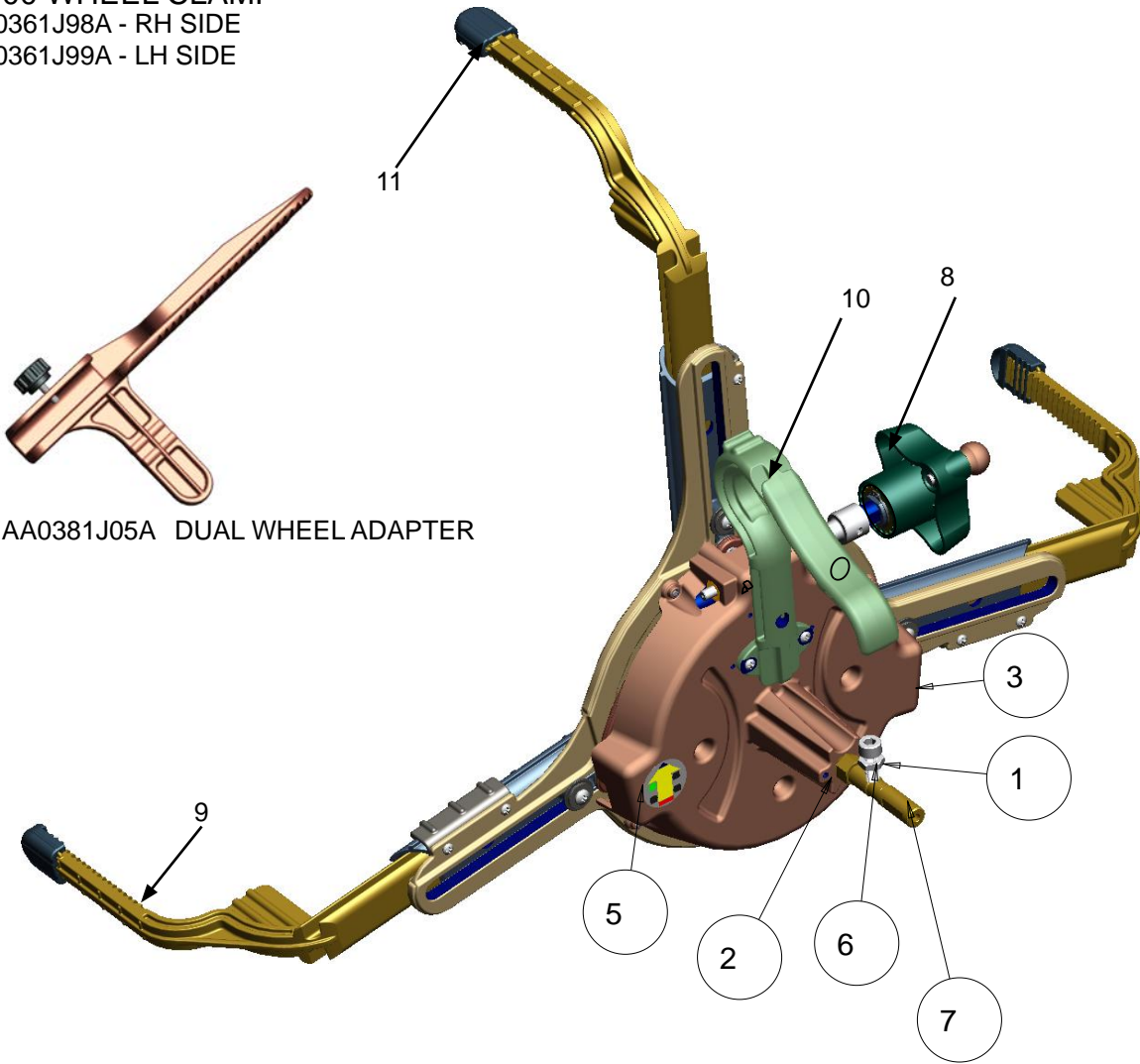
SYM	REQD	PART NO	DESCRIPTION
1	3	1-1548	WASHER-EXT,SHAKEPROOF 6MM
2	8	1-16341A	WASHER - FLAT (3MM), 9MM OD
3	8	1-20504A	SCREW PAN HEAD
4	4	1-38606A	MSCR PHIL PH W/LK M3X6MM
5	3	1-47909A	SCREW-HEX SOCKET H.CAP
6	1	EAA0381J32A	MOTOR/GEAR ASM., V3D3
7	6	EAC0116J05A	ROLLER - V3D3
8	6	EAM0088J16A	PIN - ROLLER, 3MM
9	1	EAM0088J20A	SLIDE CAR - V3D3, MACHINE ASSY
10	1	EAP0280J30A	CONTROL BOARD V3D3

MOTOR / GEAR ASSEMBLY
EAA0381J32A REV B



SYM	REQ	PART NO	DESCRIPTION
1	1	1-02863A	BEARING- FLANGE MTD
2	2	1-32806A	SCREW - PHMS #10-24 X 3/8
3	4	1-347	#10 INTERNAL TOOTH LOCKWASHER
4	1	EAM0088J31A	SCREW-SHCS, 1/4-20 X 3/4,
5	4	1-4806	MSCR PNH #10-32 X 1-3/4
6	1	1-7433	NUT & L/WASHER ASSY, 1/4-20
7	2	1-7733	LOCK NUT-10-24 X .375
8	1	2-44066A	GEAR MOTOR, 12V, ULTRA
9	1	EAA0321J63A	PLATE ASM. - MOTOR LOCK, UA
10	1	EAC0079J65A	GEAR - SPUR, DIE CAST
12	1	EAS2119J83A	BRACKET - MOTOR, V3D3
13	2	1-12944A	SPACER - .PULLY .62 OD X .13 LG

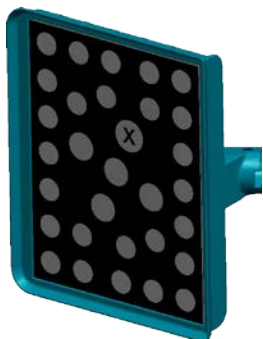
AC400 WHEEL CLAMP
 EAA0361J98A - RH SIDE
 EAA0361J99A - LH SIDE



EAA0381J05A DUAL WHEEL ADAPTER



EAA0381J34A XD TARGET FRONT



EAA0381J34A XD TARGET REAR

EAK0305J72A	(FRONT) KIT PARTS LIST:
PART NUMBER	DESCRIPTION
EAA0381J34A	XD TARGET ASM, FRONT
EAM0088J15A*	BUSHING - AC400, SP

EAK0305J73A	(REAR) KIT PARTS LIST:
PART NUMBER	DESCRIPTION
EAA0381J35A	XD TARGET ASM, REAR
EAM0088J15A*	BUSHING - AC400, SP

EAA0381J17A AC400 – FRONT, RIGHT, XD (CLAMP & TARGET ASSY)
 EAA0381J18A AC400 – FRONT, LEFT, XD (CLAMP & TARGET ASSY)
 EAA0381J19A AC400 – REAR, RIGHT, XD (CLAMP & TARGET ASSY)
 EAA0381J20A AC400 – REAR, LEFT, XD (CLAMP & TARGET ASSY)

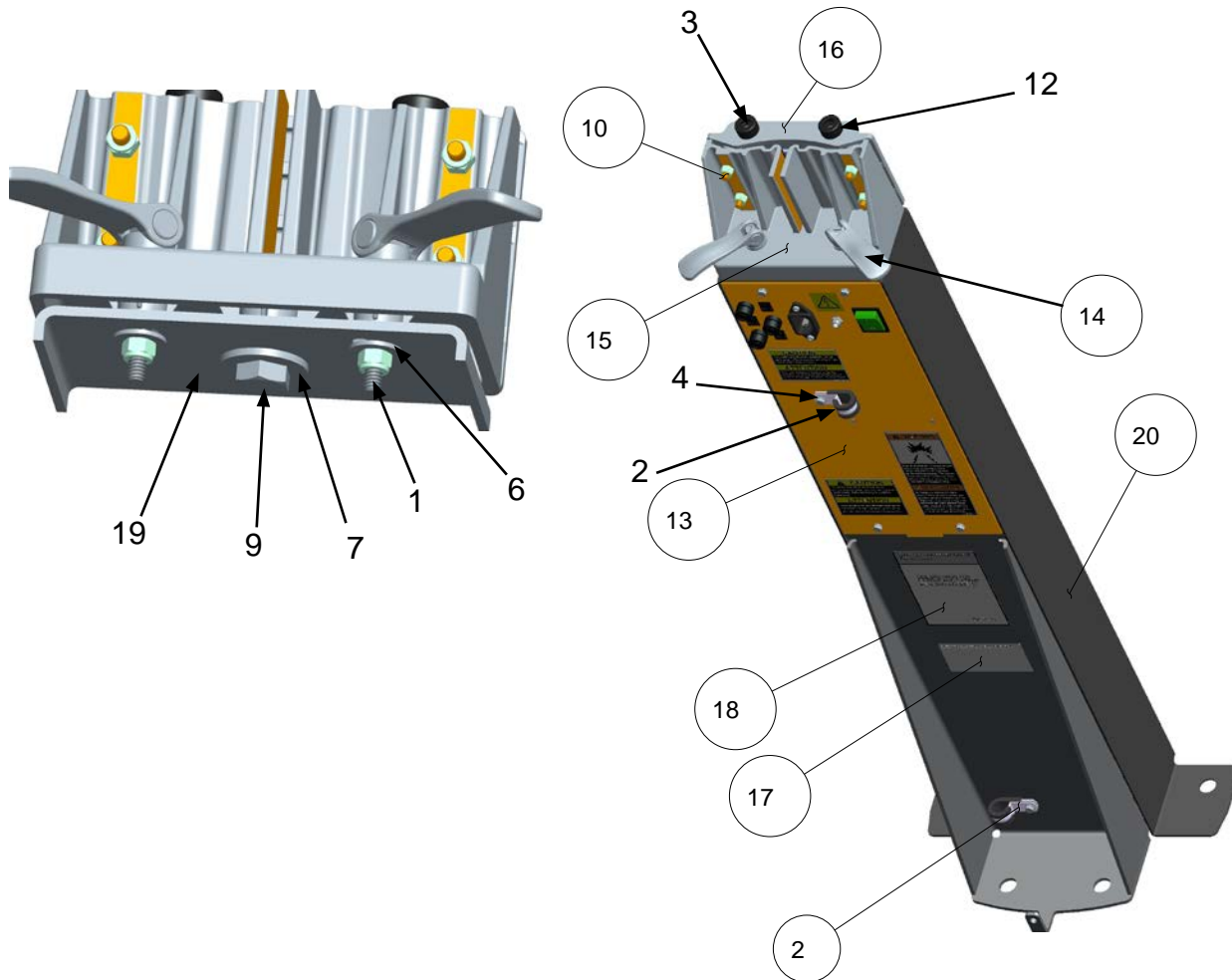
SYM	REQD	PART NO	DESCRIPTION
1	1	1-20733A	NUT - JAM, M8
2	2	1-62609A	SCREW - SHC, #6-32 X 1/2
3	1	EAA0361J99A	DNH - LEFT CLAMP ASM. DNH - RIGHT CLAMP ASM.
4	1	EAA0381J34A	XD TARGET ASM - FRONT
5	1	EAL0415J09A	DECAL - LEFT FRONT, INDICATOR
		EAL0415J10A	DECAL LEFT REAR
		EAL0415J11A	DECAL RIGHT REAR
		EAL0415J12A	DECAL RIGHT FRONT
6	1	EAM0007J19A	SCREW - SHC, M8 SPECIAL
7	1	EAM0088J15A	BUSHING - AC400, SP
8		EAA0381J12A	KIT - KNOB SERVICE
9		EAA0381J13A	BRACKET PAW - SVC KIT
10		EAC0105J78A	HANDLE
11		EAC0105J93A	AC400 BUMPER TIGER PAW (RUBBER TIP ONLY)

ACCESSORIES

EAK0305J50A KIT DUAL WHEEL ADAPTER (6)
 EAA0381J05A DUAL WHEEL ADAPTER (1)
 EAK0222J83B WHEELS OFF ADAPTER KIT

NOTE: There are NO Service items other than what is listed in this parts reference. At no time should a wheel clamp be disassembled in the field for repair.

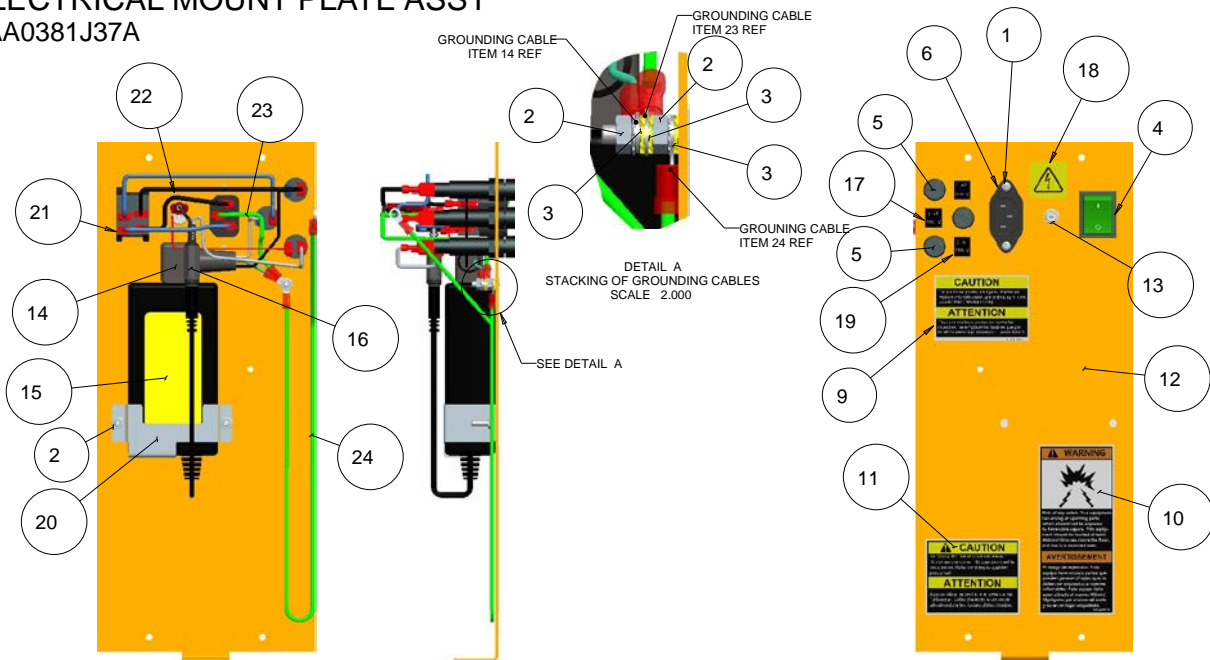
BASE TOWER
EAA0381J38A



SYM	REQD	PART NO	DESCRIPTION
1	6	1-01637A	NUT-ESNA,M6
2	2	1-04082A	CLAMP - HOSE CUSHIONED
3	2	1-04324A	SCREW, PPH #4X.375 SLFTP, TYPE B
4	6	1-12624A	SCREW - THREAD FORMING, M4X.07,
5	1	1-13533A	NUT - BARB, M4
6	2	1-16641A	WASHER - FLAT (6MM)
7	1	1-16941A	WASHER, LARGE ISO 7093 (DIN 9021)
8	1	1-32641A	WASHER-LOCK,M4 DIN 6797 TYPE A
9	1	1-34201A	MSCR, HEX HD - M10 X 16MM
10	4	1-56001A	BOLT - HEX HEAD, DIN931
11	1	2-69966A	POWER CABLE - RIGHT ANGLE
12	2	8-08018A	RUBBER FOOT
13	1	EAA0381J37A	ELECTRICAL MOUNT PLATE ASM
14	2	EAA0381J45A	LEVER - CAM
15	1	EAC0116J14A	CLAMP - ALIGNER POLE, SIDE A
16	1	EAC0116J15A	CLAMSHELL MOUNT_B - V3D3
17	1	EAL0343J76A	ELECT/SERIAL LABEL
18	1	EAL0392J18A	LABEL-PATENT ALIGNMENT
19	1	EAS2119J92A	PLATE - DOUBLER, ALIGNER TOWER

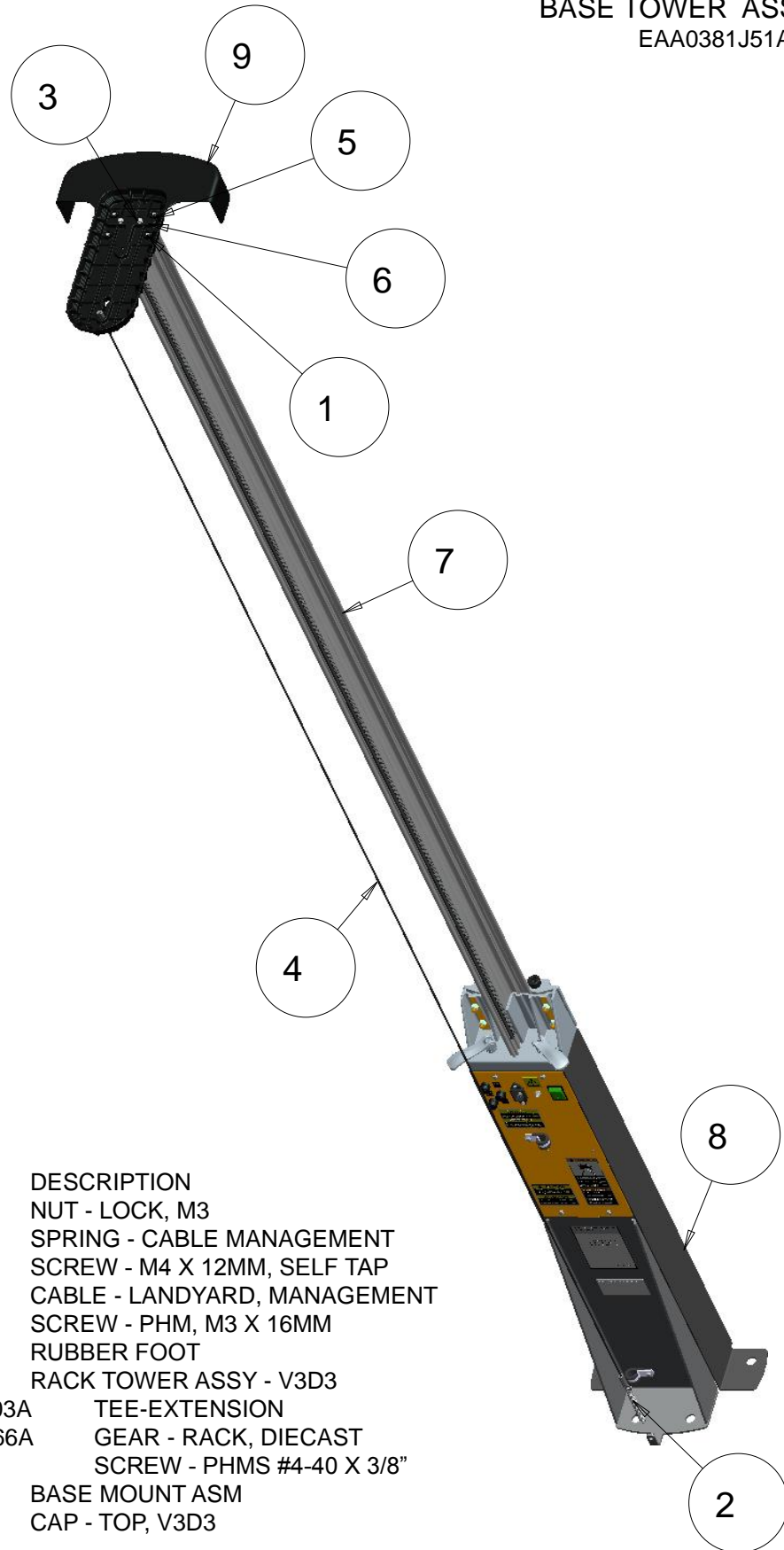
ELECTRICAL MOUNT PLATE ASSY

EAA0381J37A



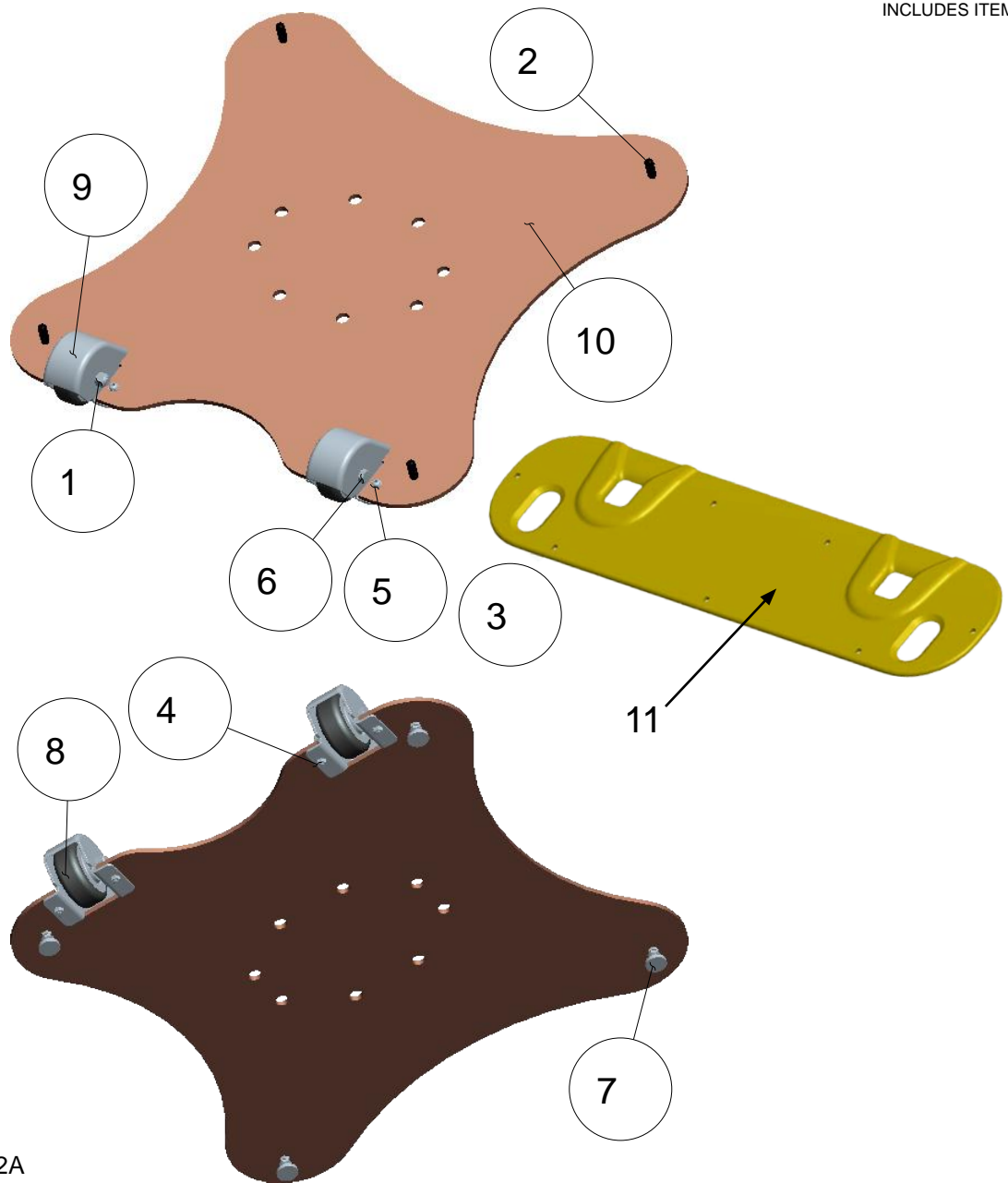
SYM	REQD	PART NO	DESCRIPTION
1	2	1-12224A	SCREW - THREAD FORMING, M3X0.5
2	4	1-13533A	NUT - BARB, M4
3	3	1-32641A	WASHER-LOCK, M4 DIN 6797 TYPE A
4	1	2-14258A	ROCKER SWITCH, ILLUMINATED, GREEN
5	3	2-15651A	FUSE HOLDER
6	1	2-64448A	IEC 320-C14 AC RECEPTACLE
7	2	2-7551	SLO-BLO FUSE (1 AMP, 250V)
8	1	2-7651	SLO-BLO FUSE (2 AMP, 250V)
9	1	86164	LABEL-WARNING, FUSE RATING
10	1	111243	LABEL-WARNING EXPLOSION
11	1	111245	LABEL-CAUTION, ELECTRICAL
12	1	EAA0381J48A	PANEL - ELECT MOUNT, ALIGNER
13	1	EAE0049J81A	CABLE ASM - SWITCHCRAFT
14	1	EAE0049J83A	CABLE ASM - IEC320-C13
15	1	EAE0049J84A	POWER SUPPLY - ALIGNER
16	1	EAE0049J85A	CABLE ASM - DC BARREL (MALE)
17	2	EAL0345P53A	LABEL-FUSE 1A
18	1	EAL0345P54A	ELECTRICAL WARNING LABEL
19	1	EAL0415J61A	LABEL-FUSE, 2A
20	1	EAS2119J91A	BRACKET - POWER SUPPLY, ALIGNER
21	2	EAW0235J83A	CABLE ASM - LT BLUE, 18 AWG
22	2	EAW0235J84A	CABLE ASM - BLACK, 18 AWG
23	1	EAW0235J85A	CABLE ASM - GROUND, 18 AWG
24	1	EAW0235J86A	CABLE ASM - GROUND, 18 AWG

BASE TOWER ASSY
EAA0381J51A



SYM	REQ	PART NO	DESCRIPTION
1	4	1-01537A	NUT - LOCK, M3
2	1	1-07767A	SPRING - CABLE MANAGEMENT
3	2	1-12524A	SCREW - M4 X 12MM, SELF TAP
4	1	1-26384A	CABLE - LANDYARD, MANAGEMENT
5	4	1-37306A	SCREW - PHM, M3 X 16MM
6	4	8-08018A	RUBBER FOOT
7	1	EAA0381J33A	RACK TOWER ASSY - V3D3
	1	EAC0116J03A	TEE-EXTENSION
	4	EAC0079J66A	GEAR - RACK, DIECAST
	12	1-10624A	SCREW - PHMS #4-40 X 3/8"
8	1	EAA0381J38A	BASE MOUNT ASM
9	1	EAC0116J17A	CAP - TOP, V3D3

BASE TOWER ASSY (OPTIONAL)
 EAK0305J78A - KIT MOBILITY BASE
 INCLUDES ITEM 11



EAA0381J42A

SYM	REQ	PART NO	DESCRIPTION
1	2	1-03237A	NUT-LOCKING, 3/8"-16
2	4	1-12276A	CAP-VINYL, .304 X 1.0LG
3	4	1-13241A	WASHER, ISO 7089 (DIN 125A)
4	4	1-13733A	NUT,BARB (EXT.WASHER) M6
5	4	1-62709A	SCREW-M6X1 18MM, BTN HEAD
6	2	1-9101	3/8-16 X 2 3/8 HEX HEAD CAP SCREW
7	4	8-14618A	FOOT - SELF LEVELING, M8X1.25
8	2	8-31739A	WHEEL 3.0" DIA
9	2	EAC0116J16A	WHEEL COVER - CAST
10	1	EAS2119J90A	PLATE - PORTABLE BASE
11	1	EAK0305J77A	KIT - DOCKING PAD, MOBILITY BASE

BLANK PAGE

BLANK PAGE

Snap-on Equipment
309 Exchange Ave.
Conway, AR 72032
501-450-1500

Notice: The information contained in this document is subject to change without notice. Snapon Equipment makes no warranty with regard to this material. Snapon Equipment shall not be liable for errors contained herein or for incidental consequential damages in connection with furnishings, performance, or use of this material.

This document contains proprietary information which is protected by copyright and patents. All rights are reserved. No part of this document may be photocopied, reproduced, or translated without prior written consent of Snapon Equipment.