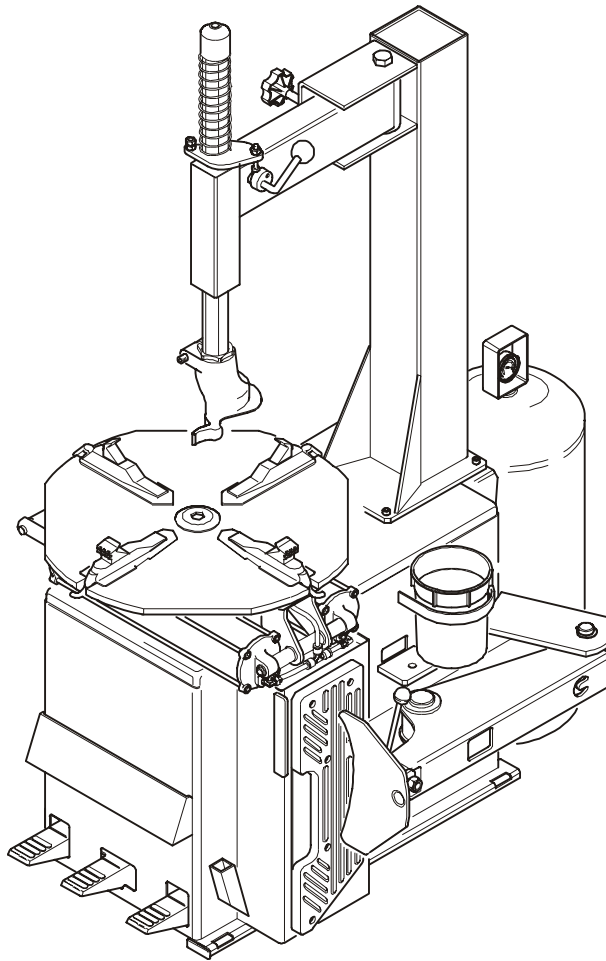


EEWH306A

Air/Electric Tire Changers

---

## Spare Part List



**Snap-on**®

TEEW306A3

---

*(BLANK PAGE)*

---

# EEWH306A

Air/Electric Tire Changers

## Spare parts list

### COPYRIGHT NOTICE

The information contained in this document is property of Snap-on Incorporated. It, or any of the information contained within, shall not be used, copied, or reproduced without express written consent of Snap-on

### TRADEMARK NOTICE

 and Snap-on Incorporated are registered trademarks

034-e-july-04



---

- **On order specify:** type of machine and serial number item code and quantity.
- **A la commande:** bien préciser le type de la machine, le n° de serie, la référence de pièce, la quantité.
- **All'ordine specificare:** tipo macchina e matricola, codice e quantità del particolare.
- **En cada pedido hay que especificar:** el tipo de máquina y su número de matrícula, el número de código de la pieza requerida y su cantidad.
- **Na encomenda especifique:** tipo da máquina e número de série, código do item e quantidade.
- **Bei Auftragserteilung anzugeben:** Maschinentype, Serinnummer, Artikel-Code, Menge.
- **Specificeer op een order:** machine type en serienummer, artikelnummer en aantal.
- **Vid order specificera:** Maskin typ och serie nr reservdels nr ochantal.

Note: BOLD TYPE CODES ON EACH TABLE MEANS SUGGESTED SPARE PARTS - Ex. **ST0011111**



034-e-july-04

**THIS PART IS FOR EXCLUSIVE USE OF QUALIFIED PERSONNEL FOR MAINTENANCE AND SERVICE PURPOSES.**

**CETTE PARTIE EST RESERVEE AU PERSONNEL QUALIFIE ET AUTORISE A LA MAINTENANCE ET AU SERVICE APRES-VENTE.**

**QUESTA PARTE É AD USO ESCLUSIVO DEL PERSONALE QUALIFICATO ED AUTORIZZATO ALLA MANUTENZIONE ED ASSISTENZA.**

**ESTA PARTE ES PARA USO EXCLUSIVO DEL PERSONAL CALIFICADO Y AUTORIZADO PARA EL MANTENIMIENTO Y LA ASISTENCIA.**

**ESTA PARTE ES PARA USO EXCLUSIVO POR PESSOAL ESPECIALIZADO ED AUTORIZATO A LA MANUTENÇÃO**

**DIESER ABSCHNITT IST AUSSCHLIESSLICH DEM WARTUNGSFACH-UND KUNDENDIENSTPERSONAL VORBEHALTEN**

**DENNE DEL ER BEREGNET TIL BRUK FOR KVALIFISERT PERSONALE FOR VEDLIKEHOLD OG SERVICE**

**DENNA DEL ÄREN BART TILL FÖR UTBILDAD PERSONAL VID UNDERHÅLLS- OCH SERVICEARBETEN**

**TÄMÄ OSA ON TARKOITETTU AINOASTAAN VALTUUTETUN HUOLTOHENKILÖSTÖN KÄYTTÖÖN HUOLTOTARKOITUKSIIN**

**DIT GEDEELTE IS ALLEEN BESTEMD VOOR BEVOEGDE PERSONEN VOOR ONDERHOUD EN SERVICE DOELEINDEN**

**DENNE DEL ER KUN BEREGNET TIL BRUG FOR FAGLÆRTE OG FOLK SOM ER KVALIFICERET OG AUTORISERET TIL VEDLIGEHODELSE OG SERVICE**

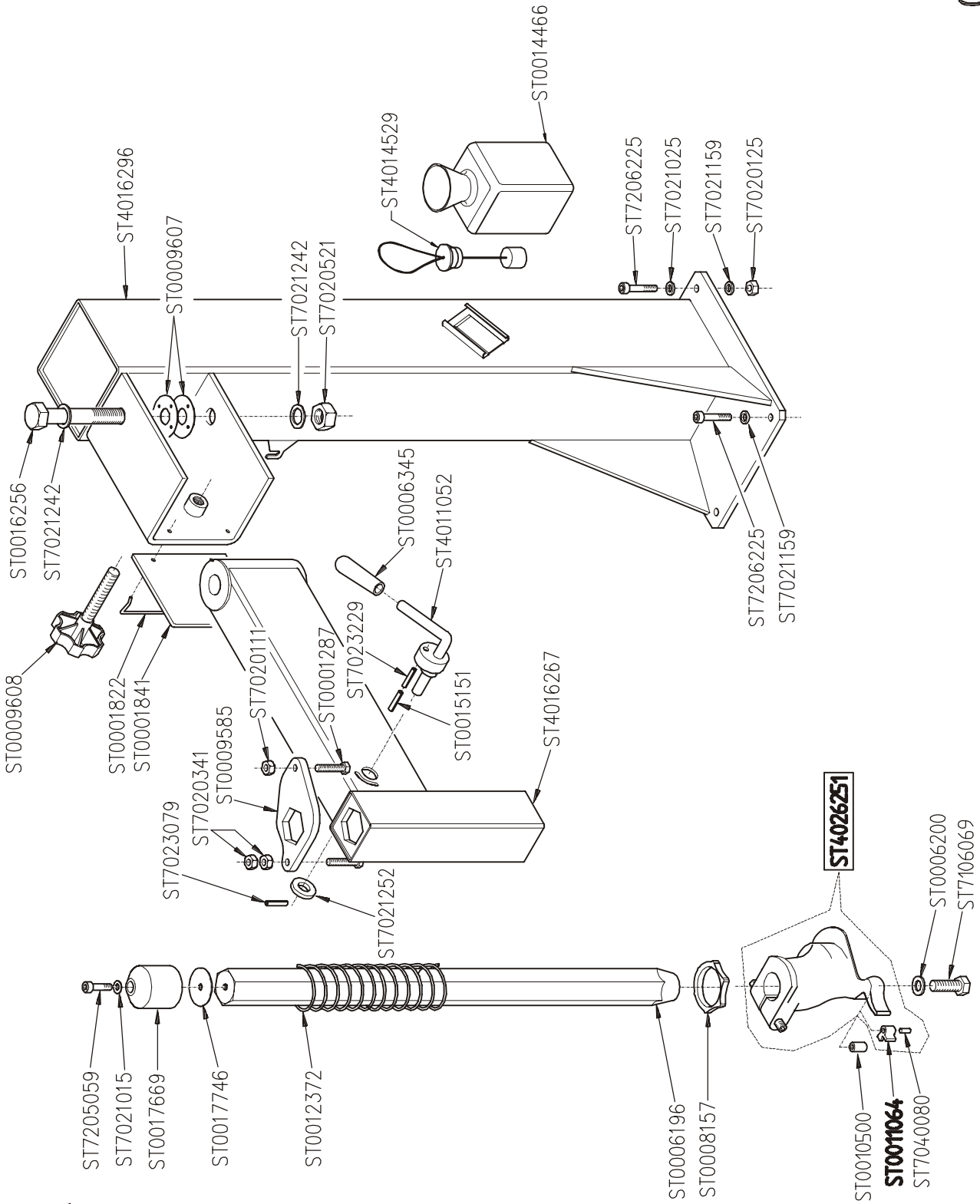
**AYTO TO MEPOS EINAI GIA THN AΠΟΚΛΕΙΣΤΙΚΗ ΧΡΗΣΗ ΕΚ ΜΕΡΟΥΣ ΕΞΟΥΣΙΟΛΟΤΗΜΕΝΟΥ ΙΚΑΝΟΥ ΠΡΟΣΩΠΙΚΟΥ ΓΙΑ ΕΡΓΑΣΙΕΣ ΣΥΝΤΗΡΗΣΗΣ ΚΑΙ ΕΠΙΣΚΕΥΗΣ**

<b>U P D A T I N G      G U I D E</b>					
MODIFIED / CHANGED PARTS Regarding Revision D of March 2004 List of updated new code numbers from this revision:					
<b>957</b> <b>957a</b>	<b>958</b> <b>958a</b>	<del>607a</del> <b>607b</b>	<del>946</del> <b>946a</b>	<del>884</del> <b>884a</b>	<del>885</del> <b>885a</b>
ST4025141	ST4026251	ST0026909	ST4019747	ST4025692	ST7020091
ST7208199	ST0011064		ST0005643	ST0002610	ST7021232
ST0009829			ST0025802	ST0001427	ST0026609
ST0026911					ST7021232
					ST7020091
					ST7202099
					ST0023210
					ST7202189
					ST0022836
					ST4027562
Other Variations: Electric Diagram for new motor LESSON.					

<b>U P D A T I N G      G U I D E</b>	
MODIFIED / CHANGED PARTS Regarding Revision E of July 2004 List of updated new code numbers from this revision:	
<del>607-b</del> <b>607,c</b>	<del>883-</del> <b>883a</b>



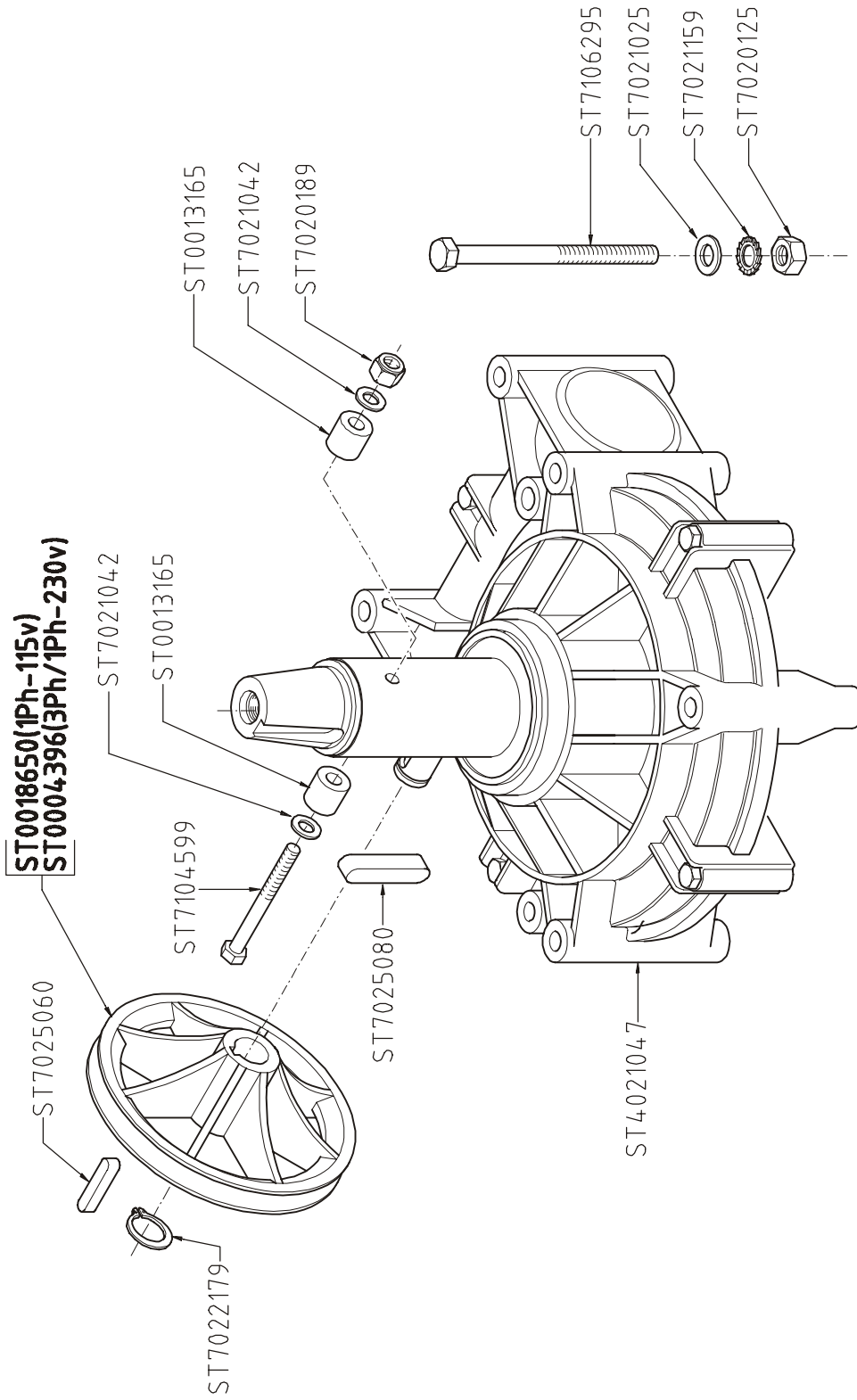
# 958.a







944





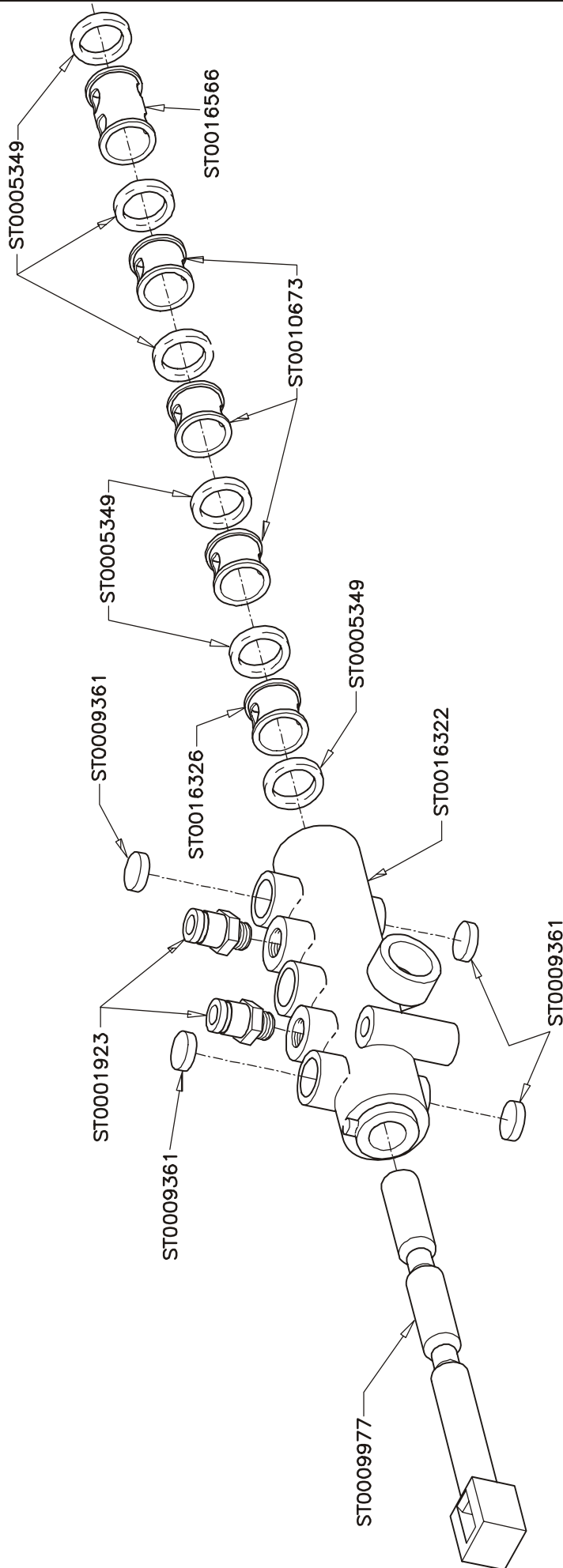


ST4009611

09/97

034-e-July-04

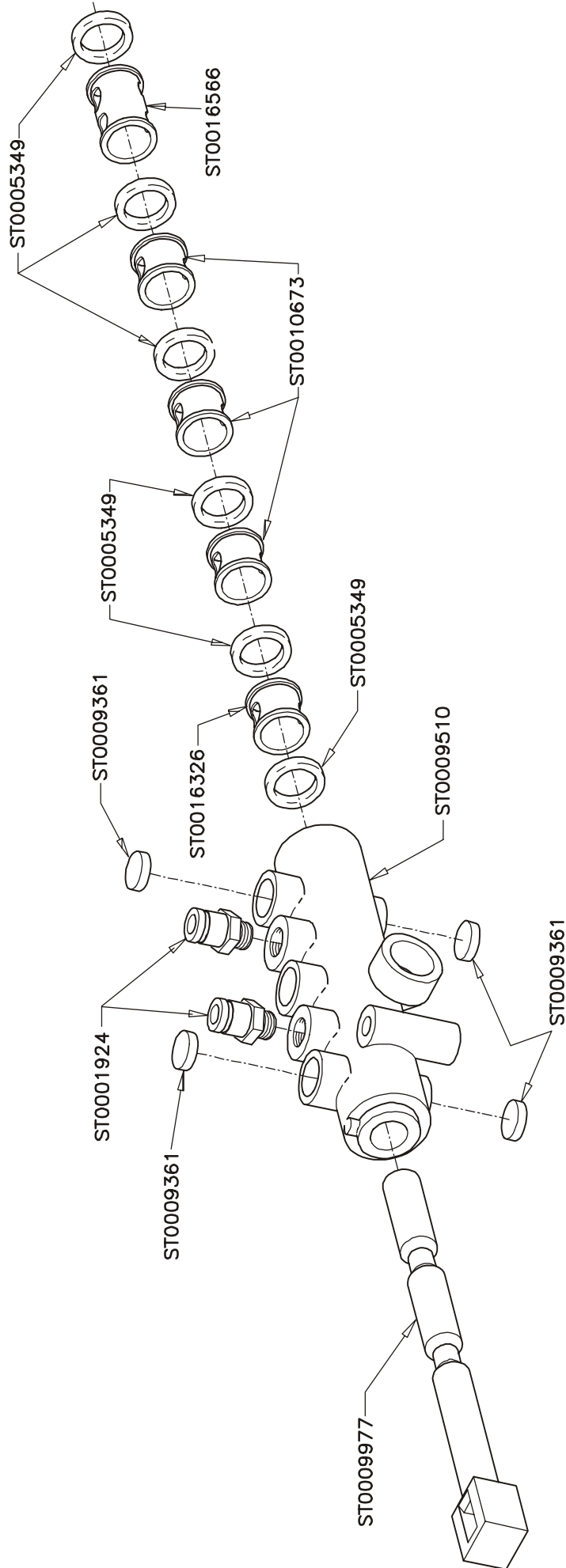
637



ST4017159

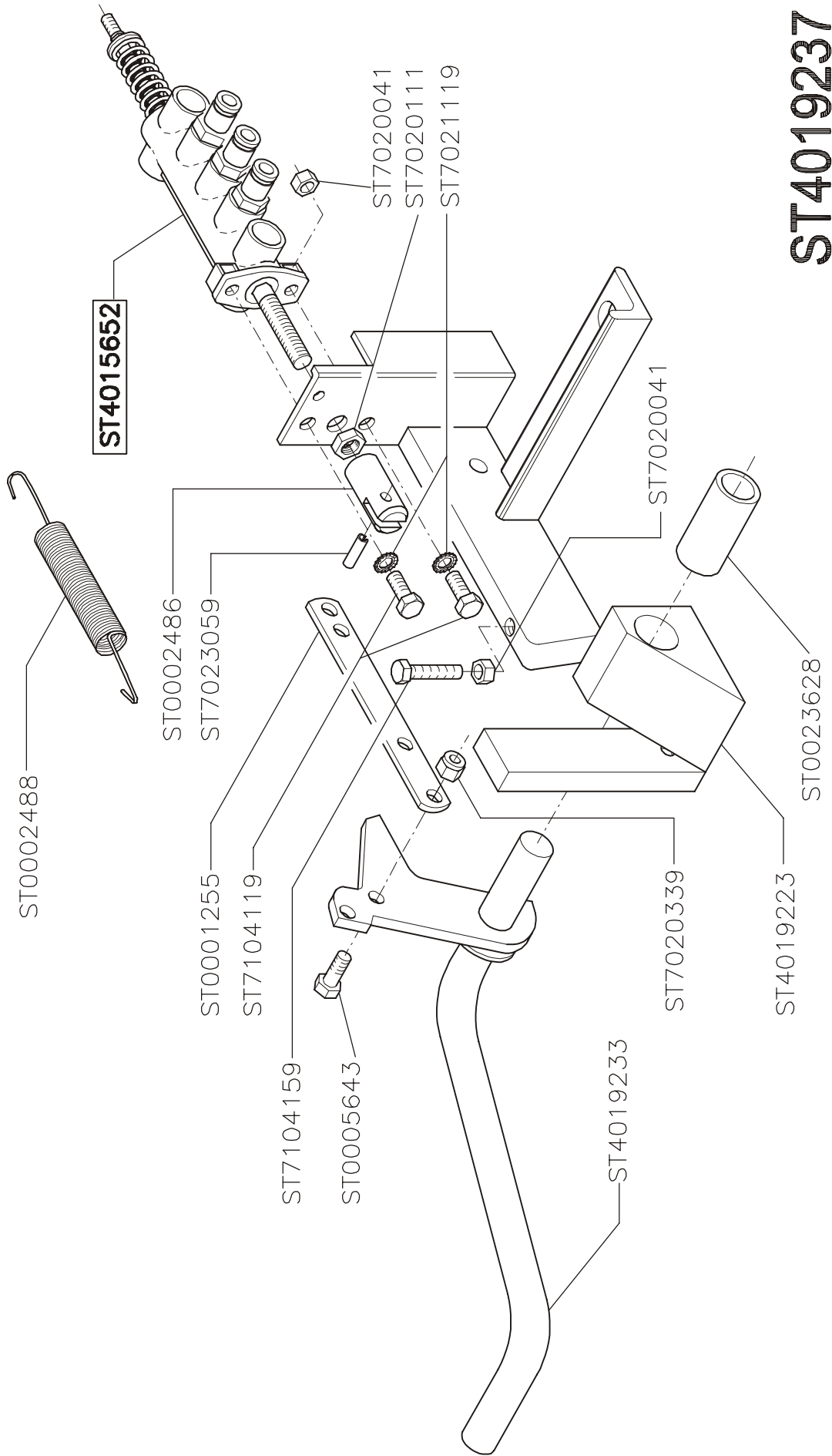
09/97

639



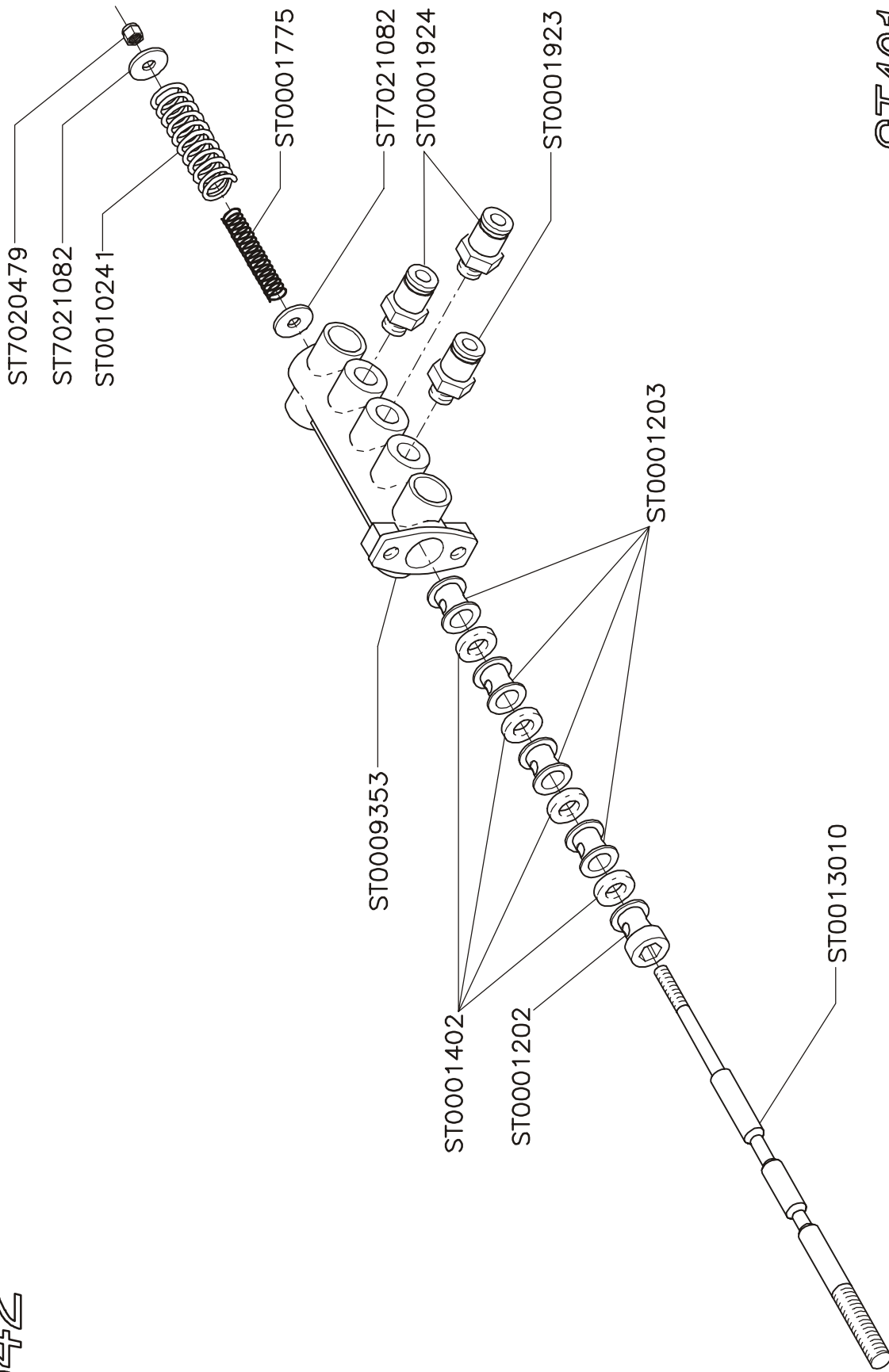
# 824.a

034-e-July-04



# ST4019237

642



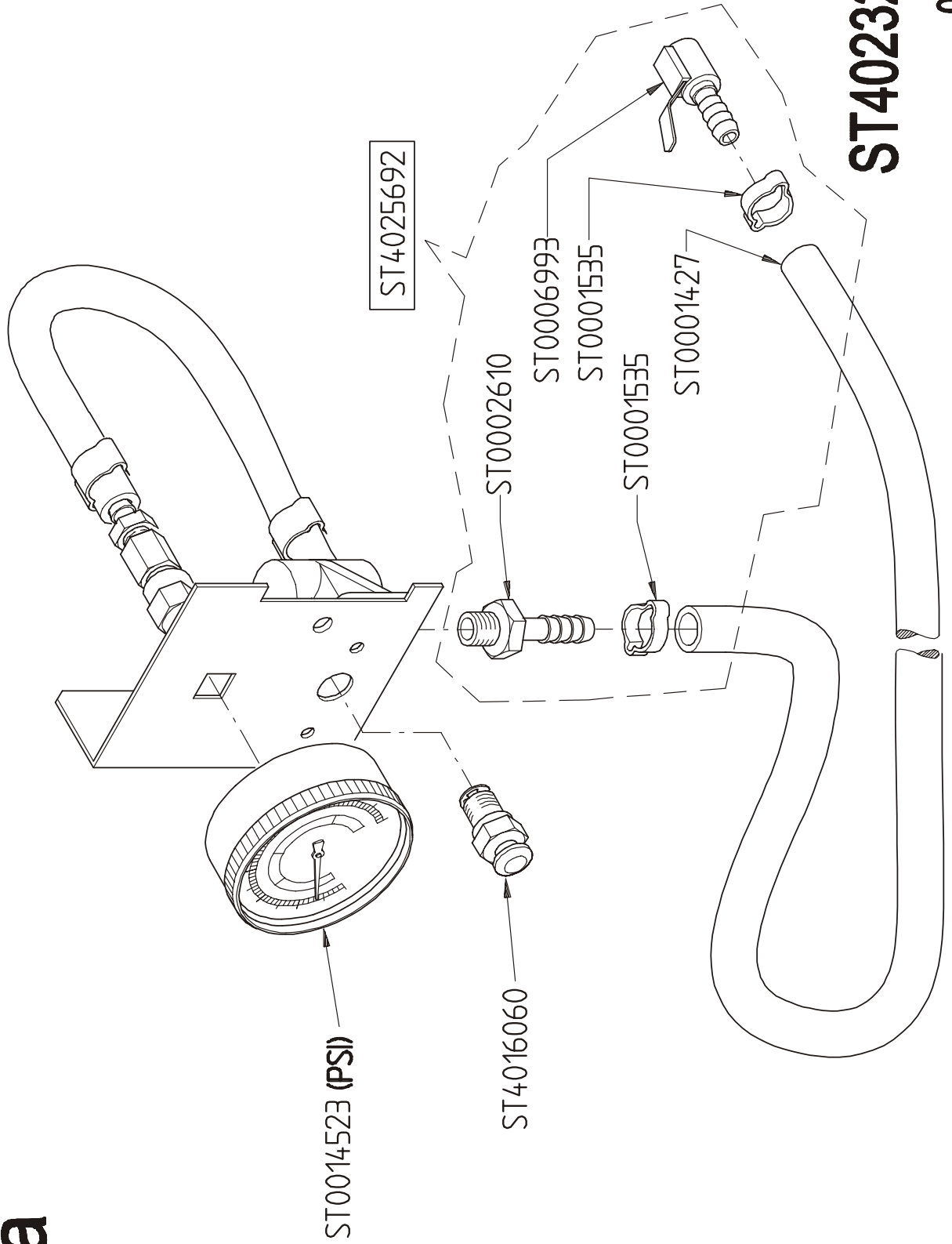
ST4015652

08/95



034-e-July-04

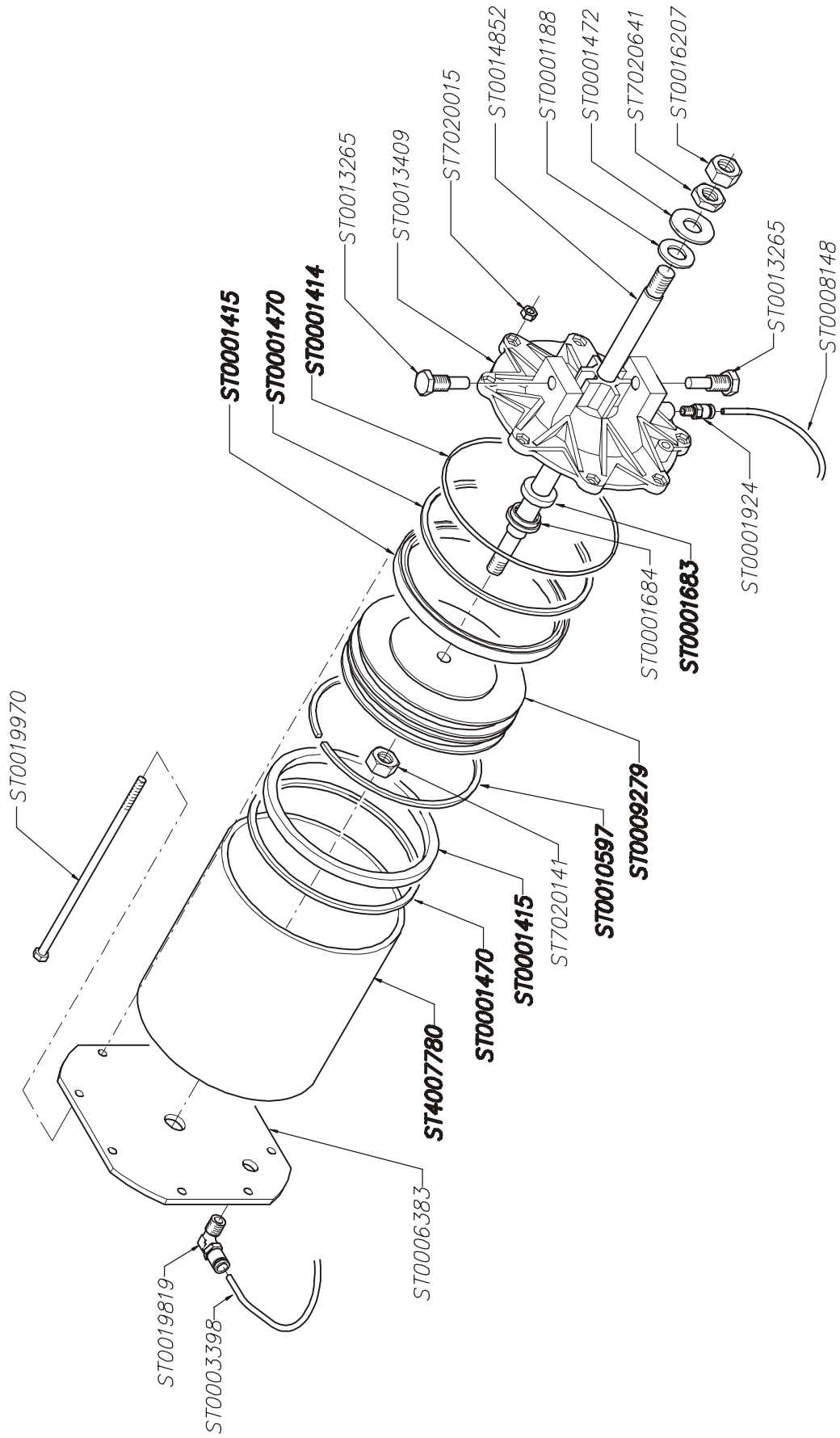
# 884.a



# ST4023288

03/2004

591

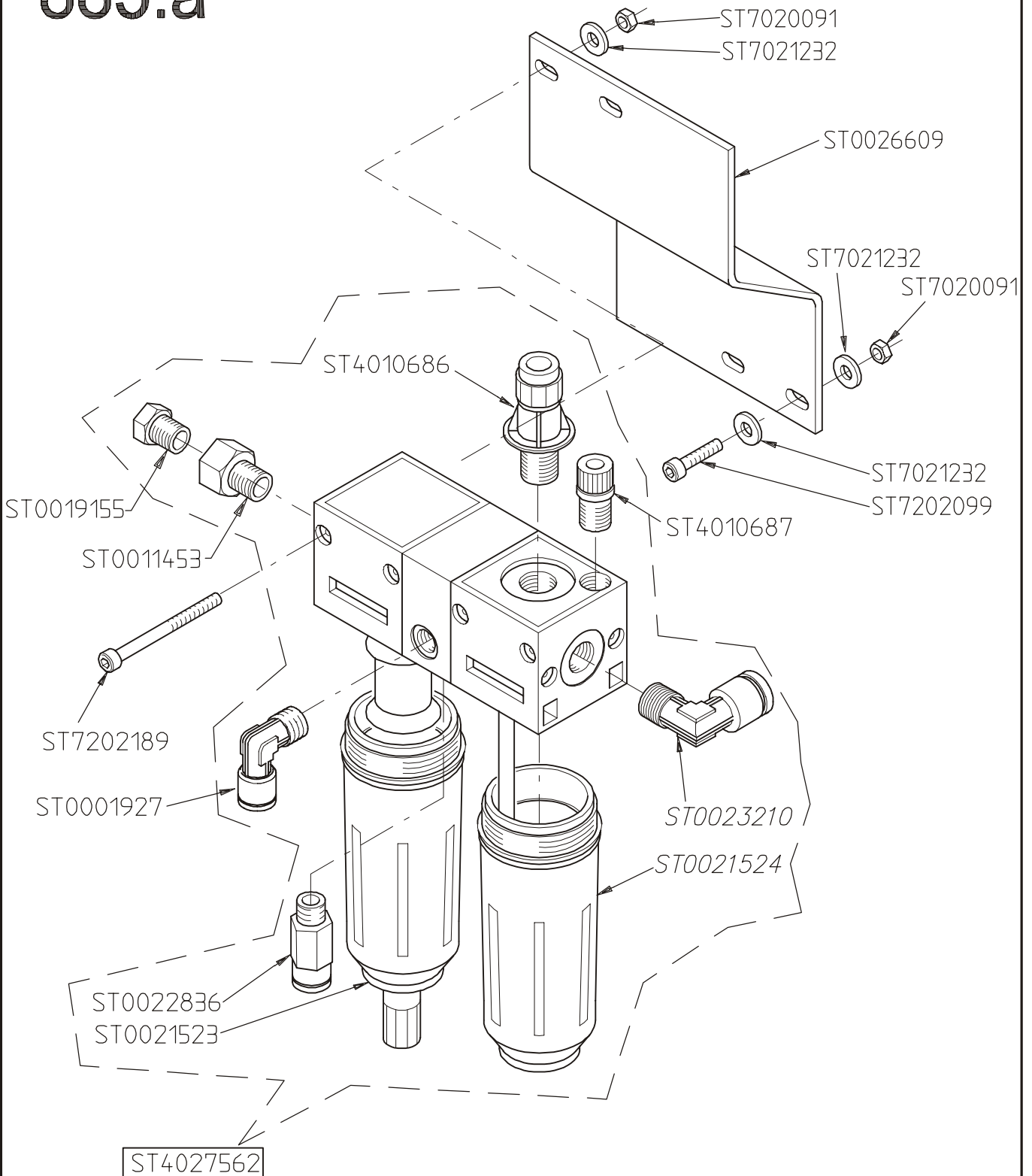


**ST4014897**

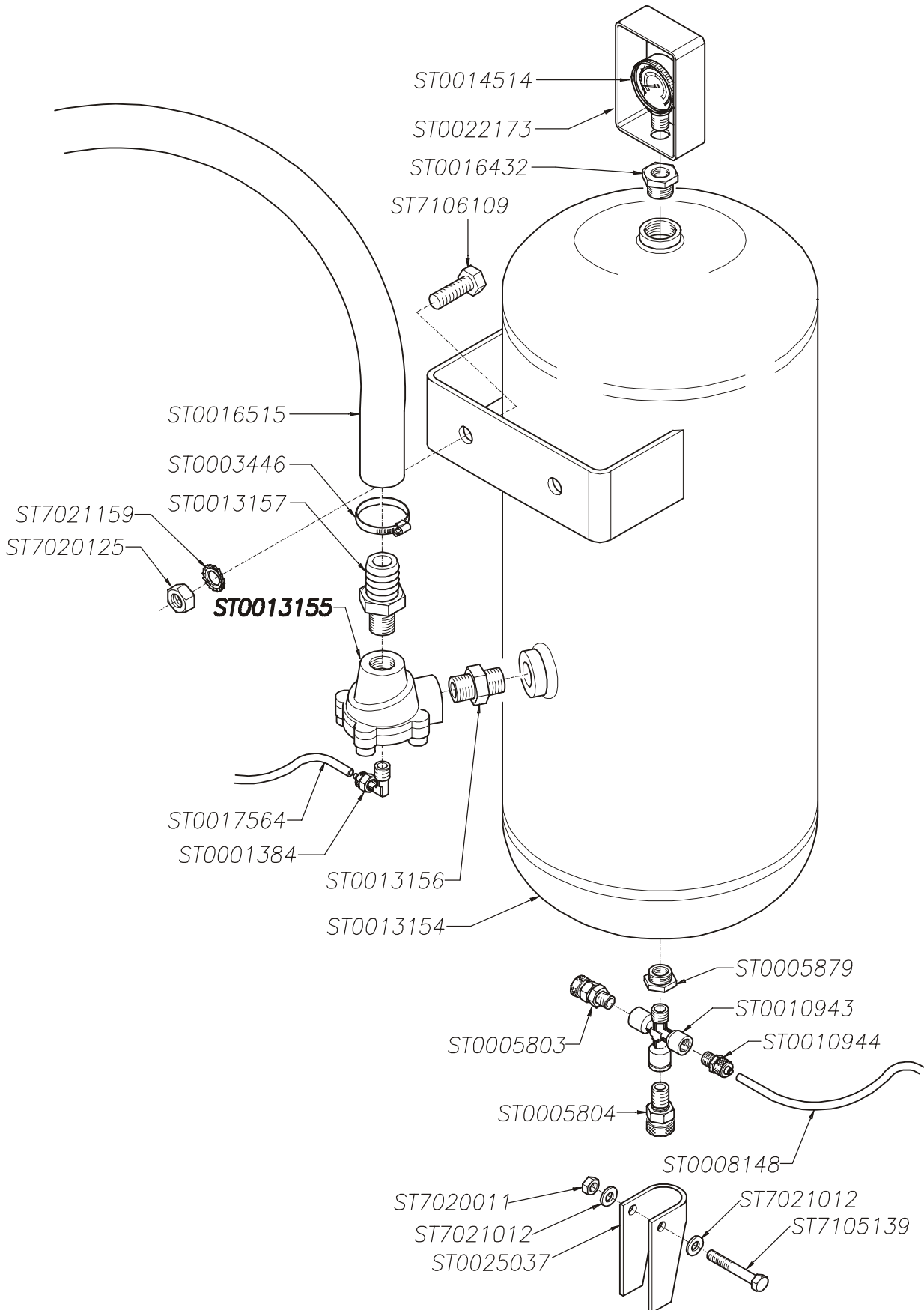
01/2001

# 885.a

034-e-July-04



# 633.b



034-e-July-04

01/2001





034-e-july-04



Snap-on Incorporated  
2801 80th Street  
Kenosha, WI 53141 - 1410

For Service Call:  
1-800-225-5786

**Notice:** The information contained in this document is subject to change without notice. Snap-on Incorporated makes no warranty with regard to this material. Snap-on Incorporated shall not be liable for errors contained herein or for incidental consequential damages in connection with furnishings, performance, or use of this material.

This document contains proprietary information which is protected by copyright and patents. All rights are reserved. No part of this document may be photocopied, reproduced, or translated without prior written consent of Snap-on Incorporated.

***Snap-on*** is a registered trademark of Snap-on Incorporated