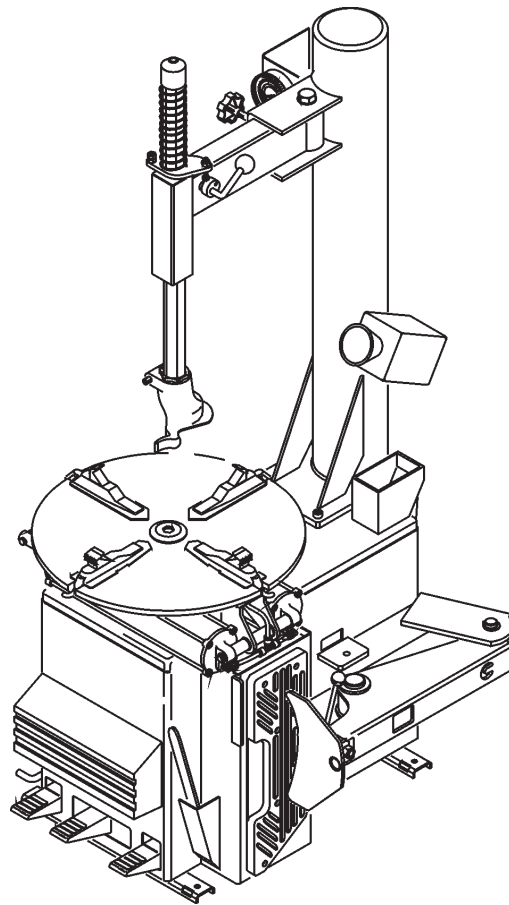




®



EHP System II  
EHP System II E  
High Performance Tire Changer  
Spare Parts

From **Revision C:** June 2004  
 Has been replaced, TABLE 632 on page 15 and  
 TABLE 1152 on page 17  
 AIR HOSE DIAGRAM on page 19

From **Revision D:** July 2004  
 Has been replaced, TABLE 1091 with 1091.a and  
 TABLE 1230 with 1230.a and  
 TABLE 629 with 629.a

From **Revision E:** March 2005  
 Has been replaced, TABLE 1091.a with 1091.b,  
 TABLE 629.a with 883.a,  
 TABLE 591 with 591.b.

From **Revision F:** Sept. 2005  
 Has been replaced, TABLE 824.a with 1507,  
 TABLE 642 with 1509.

From **Revision G:** May 2006  
 Has been replaced,  
 TABLE 826.b with 826.c  
 TABLE 1507 with 1507.b (PCN:05G0188+06G0031)  
 TABLE 1509 with 1509.b (PCN:06G0023+06G0031)  
 TABLE 632.a with 632.b (PCN:05G0170)  
 TABLE 591.b with 591.c (PCN:06G0030)

From **Revision H:** July 2006  
 Has been replaced, TABLE 1092 with 1092.a (PCN 06G0082)

From **Revision I:** Sept. 2006  
 Has been replaced, TABLE 1092.a with 1092.b (PCN 06G0113)

From **Revision L:** April 2007  
  
 TABLE **1092.c** replace TABLE 1092.b accordingly to PCN 06G0176 / 06G0181 on PAGE 4

**THIS PART IS FOR EXCLUSIVE USE OF QUALIFIED PERSONNEL FOR MAINTENANCE AND SERVICE PURPOSES.**

**DIESER ABSCHNITT IST AUSSCHLIESSLICH DEM WARTUNGSFACH-UND KUNDENDIENSTPERSONAL VORBEHALTEN**

**CETTE PARTIE EST RESERVEE AU PERSONNEL QUALIFIE ET AUTORISE A LA MAINTENANCE ET AU SERVICE APRES-VENTE.**

**QUESTA PARTE É AD USO ESCLUSIVO DEL PERSONALE QUALIFICATO ED AUTORIZZATO ALLA MANUTENZIONE ED ASSISTENZA.**

**ESTA PARTE ES PARA USO EXCLUSIVO DEL PERSONAL CALIFICADO Y AUTORIZADO PARA EL MANTENIMIENTO Y LA ASISTENCIA.**

**ESTA PARTE ES PARA USO EXCLUSIVO POR PESSOAL ESPECIALIZADO ED AUTORIZADO A LA MANUTENÇÃO**

**DENNE DEL ER BEREGNET TIL BRUK FOR KVALIFISERT PERSONALE FOR VEDLIKEHOLD OG SERVICE**

**DENNA DEL ÄREN BART TILL FÖR UTBILDAD PERSONAL VID UNDERHÅLLS- OCH SERVICEARBETEN**

**TÄMÄ OSA ON TARKOITETTU AINOASTAAN VALTUUTETUN HUOLTOHENKILÖSTÖN KÄYTTÖÖN HUOLTOTARKOITUKSIIN**

**DIT GEDEELTE IS ALLEEN BESTEMD VOOR BEVOEGDE PERSONEN VOOR ONDERHOUD EN SERVICE DOELEINDEN**

**DENNE DEL ER KUN BEREGNET TIL BRUG FOR FAGLÆRTE OG FOLK SOM ER KVALIFICERET OG AUTORISERET TIL VEDLIGEHOJDELSE OG SERVICE**

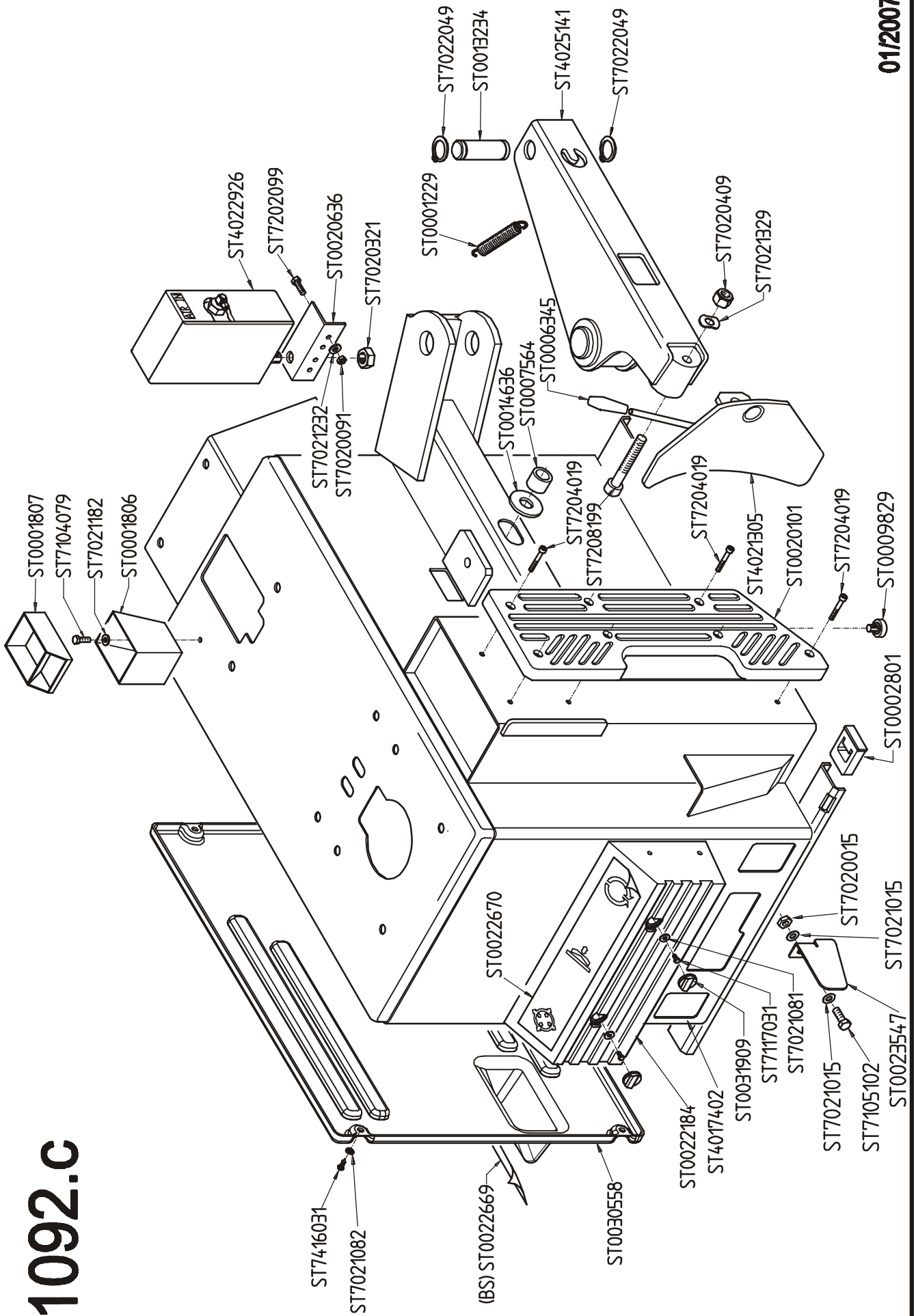
**ΑΥΤΟ ΤΟ ΜΕΡΟΣ ΕΙΝΑΙ ΓΙΑ ΤΗΝ ΑΠΟΚΛΕΙΣΤΙΚΗ ΧΡΗΣΗ ΕΚ ΜΕΡΟΥΣ ΕΞΟΥΣΙΟΛΟΤΗΜΕΝΟΥ ΙΚΑΝΟΥ ΠΡΟΣΩΠΙΚΟΥ ΓΙΑ ΕΡΓΑΣΙΕΣ ΣΥΝΤΗΡΗΣΗΣ ΚΑΙ ΕΠΙΣΚΕΥΗΣ**



- **ON ORDER SPECIFY:** type of machine and serial number item code and quantity.
- **EN CADA PEDIDO HAY QUE ESPECIFICAR:** el tipo de máquina y su número de matrícula, el número de código de la pieza requerida y su cantidad.
- **BEI AUFTRAGSERTEILUNG ANZUGEBEN:** Maschinentype, Serinnummer, Artikel-Code, Menge.
- **A LA COMMANDE:** bien préciser le type de la machine, le n° de serie, la référence de pièce, la quantité.
- **ALL'ORDINE SPECIFICARE:** tipo macchina e matricola, codice e quantità del particolare.
- **NA ENCOMENDA ESPECIFIQUE:** tipo da máquina e número de série, código do item e quantidade.
- **SPECIFICEER OP EEN ORDER:** machine type en serienummer, artikelnummer en aantal.
- **VID ORDER SPECIFISERA:** Maskin typ och serie nr reservdels nr ochantal.

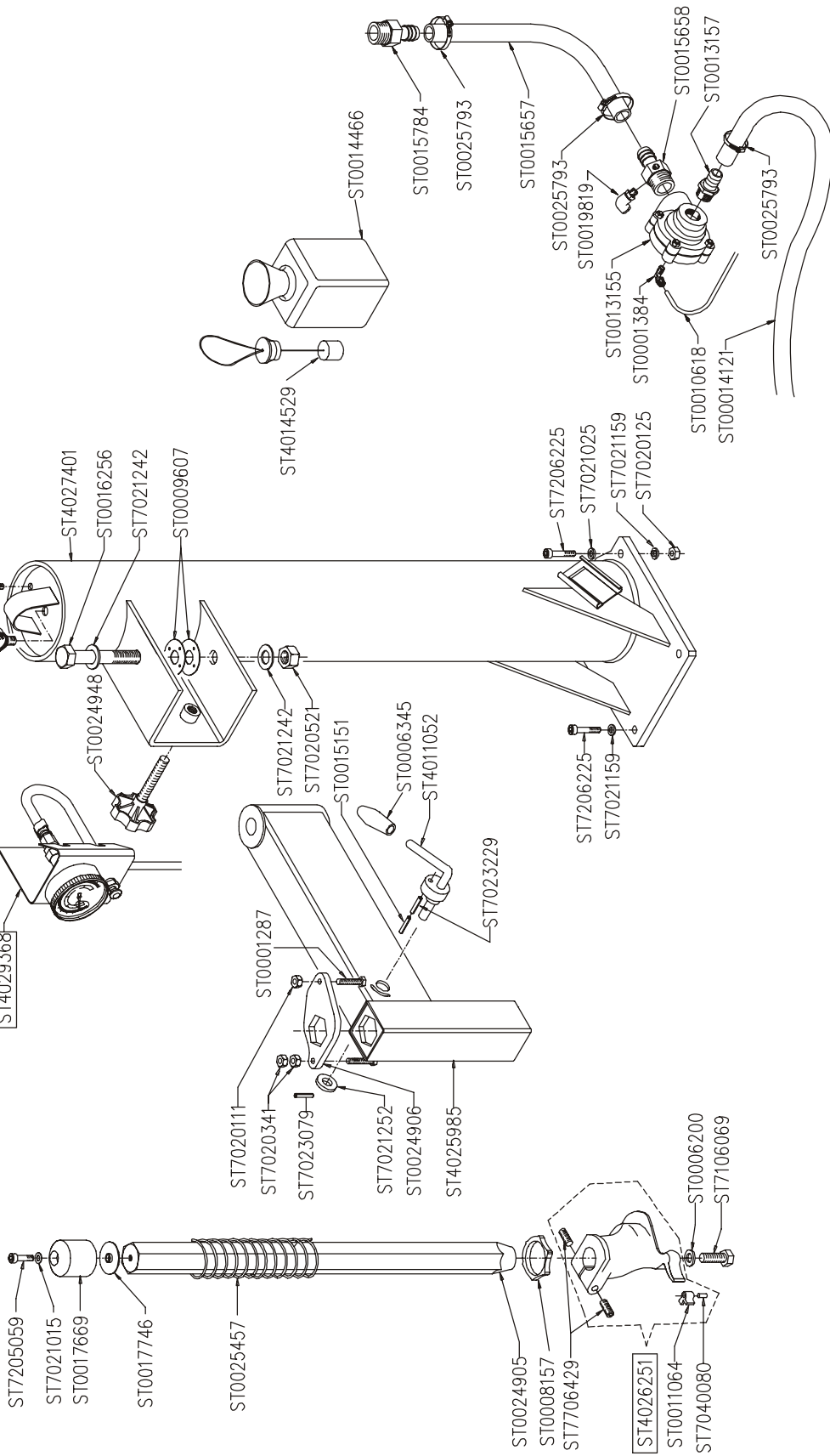
012007

# 1092.c



096-L-April-07

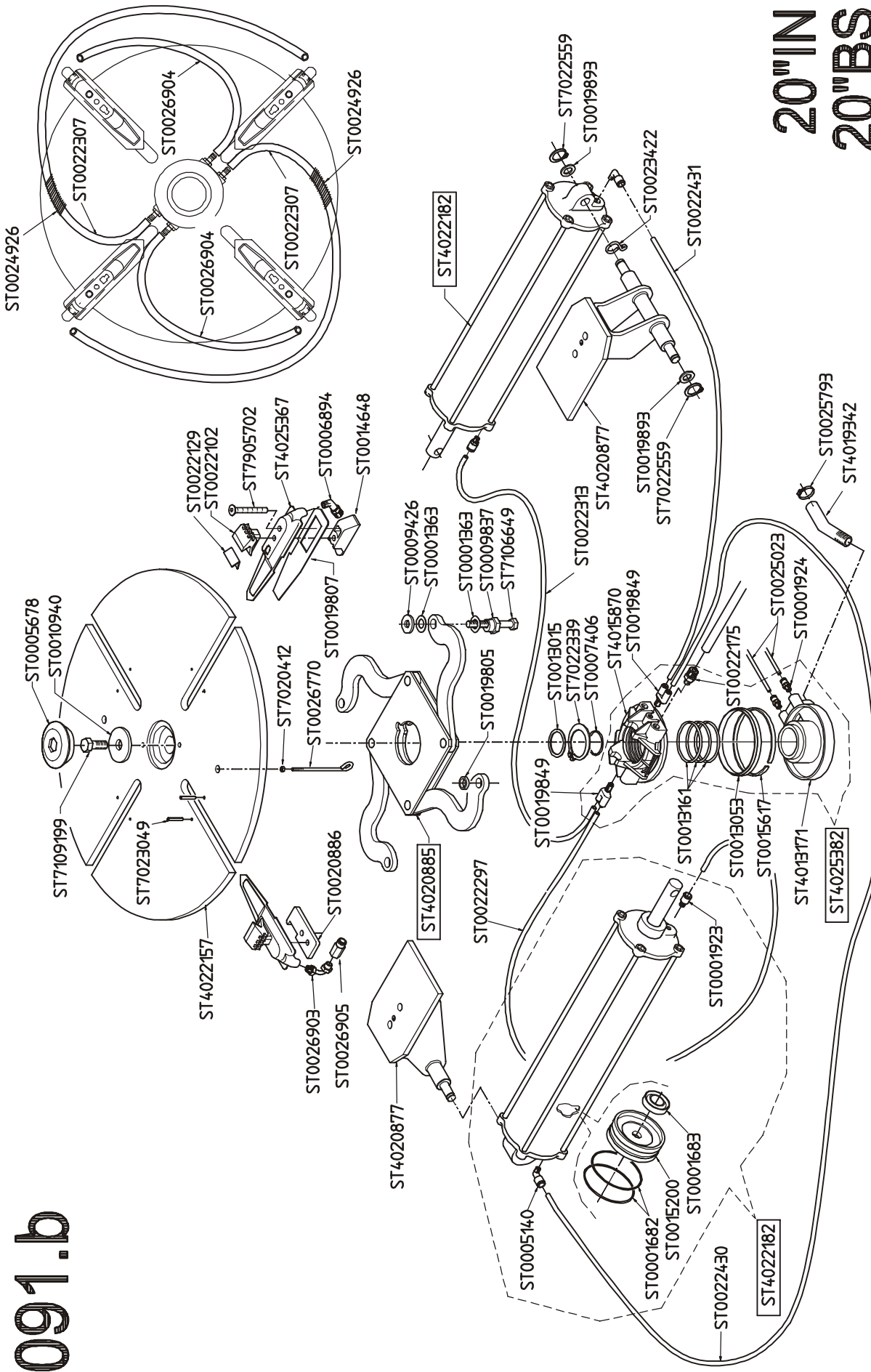
# 826.C



20"IN  
20"BS

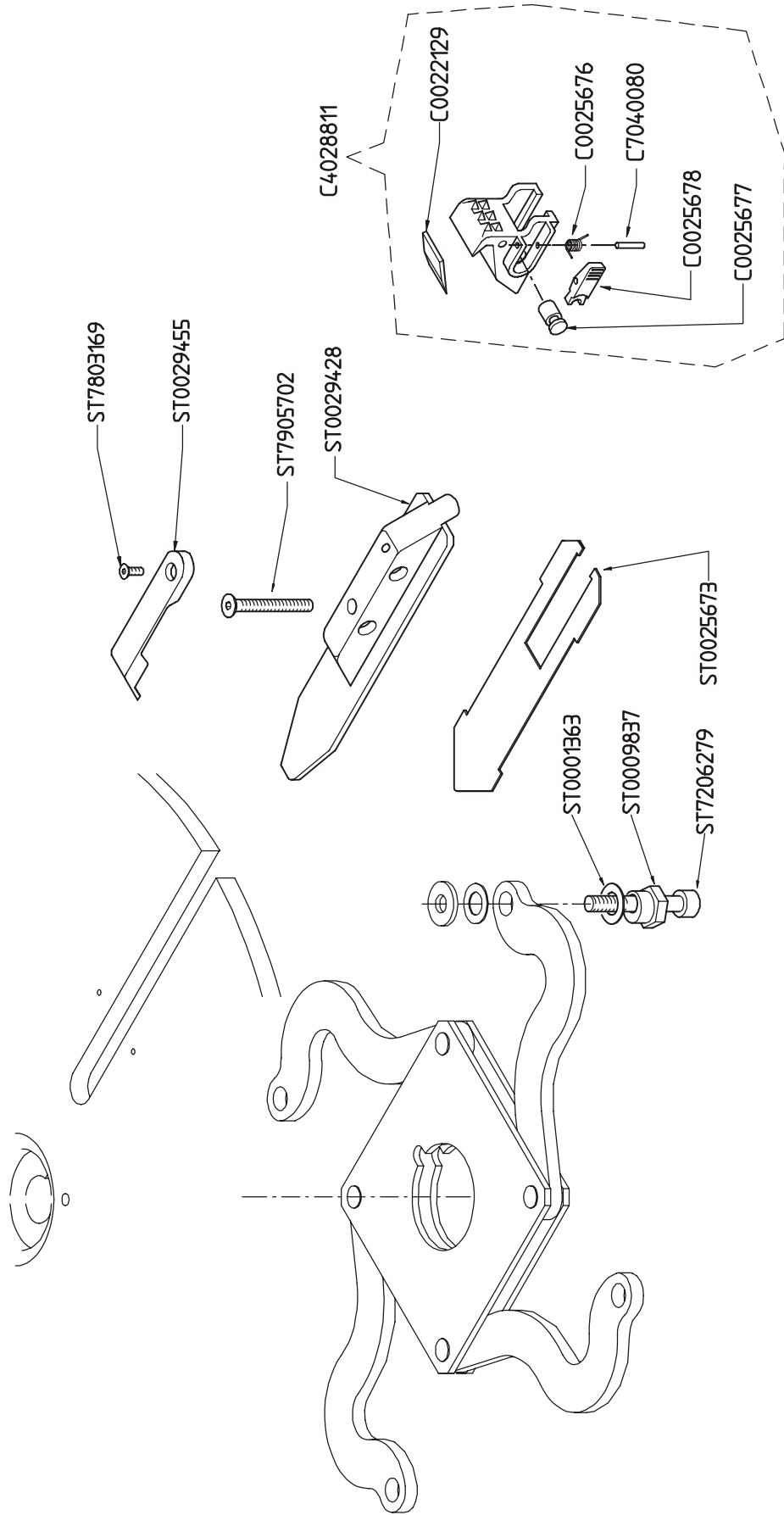
01/2005

# 1091.b

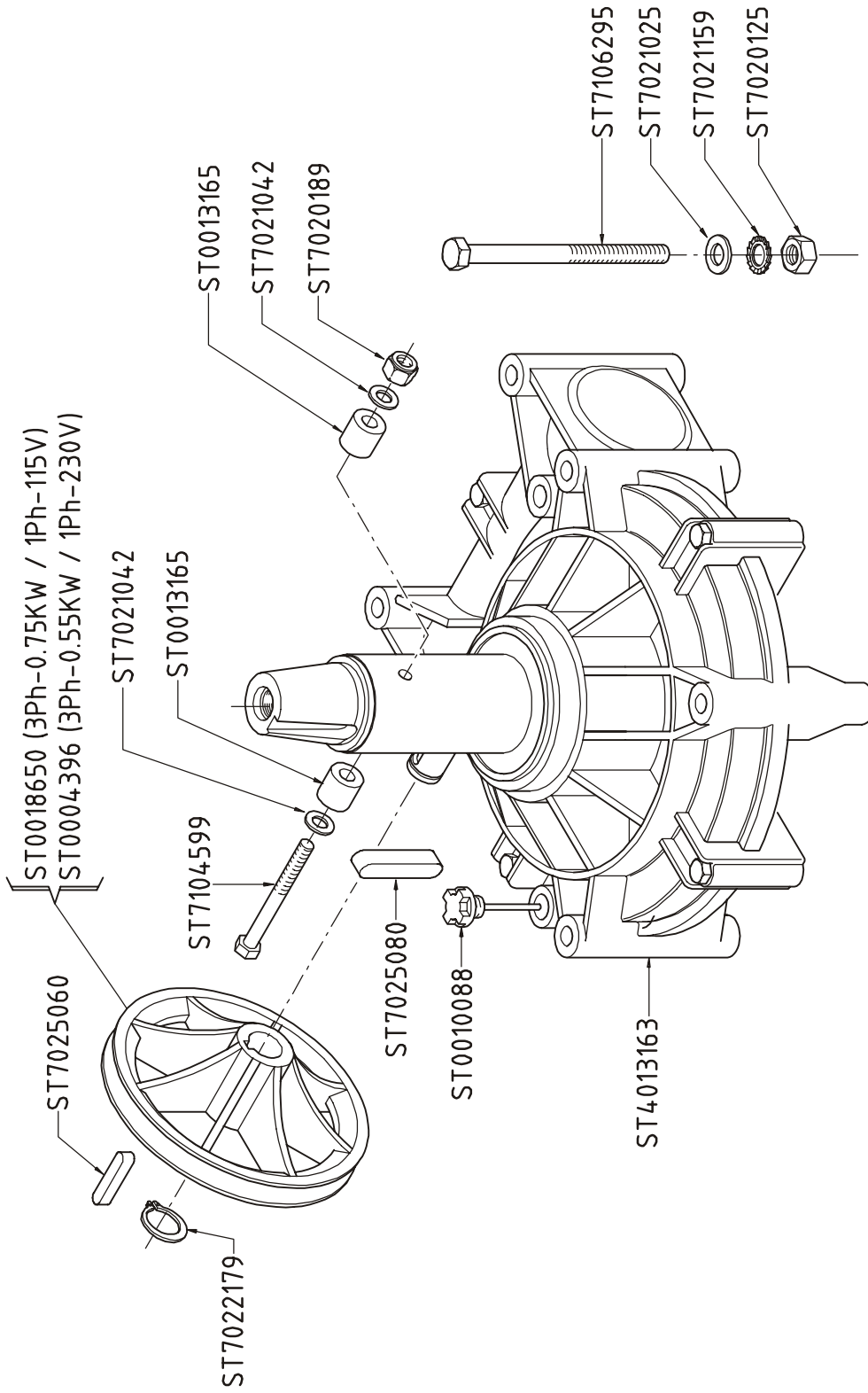


# 1230.a

096-1-April-07



627

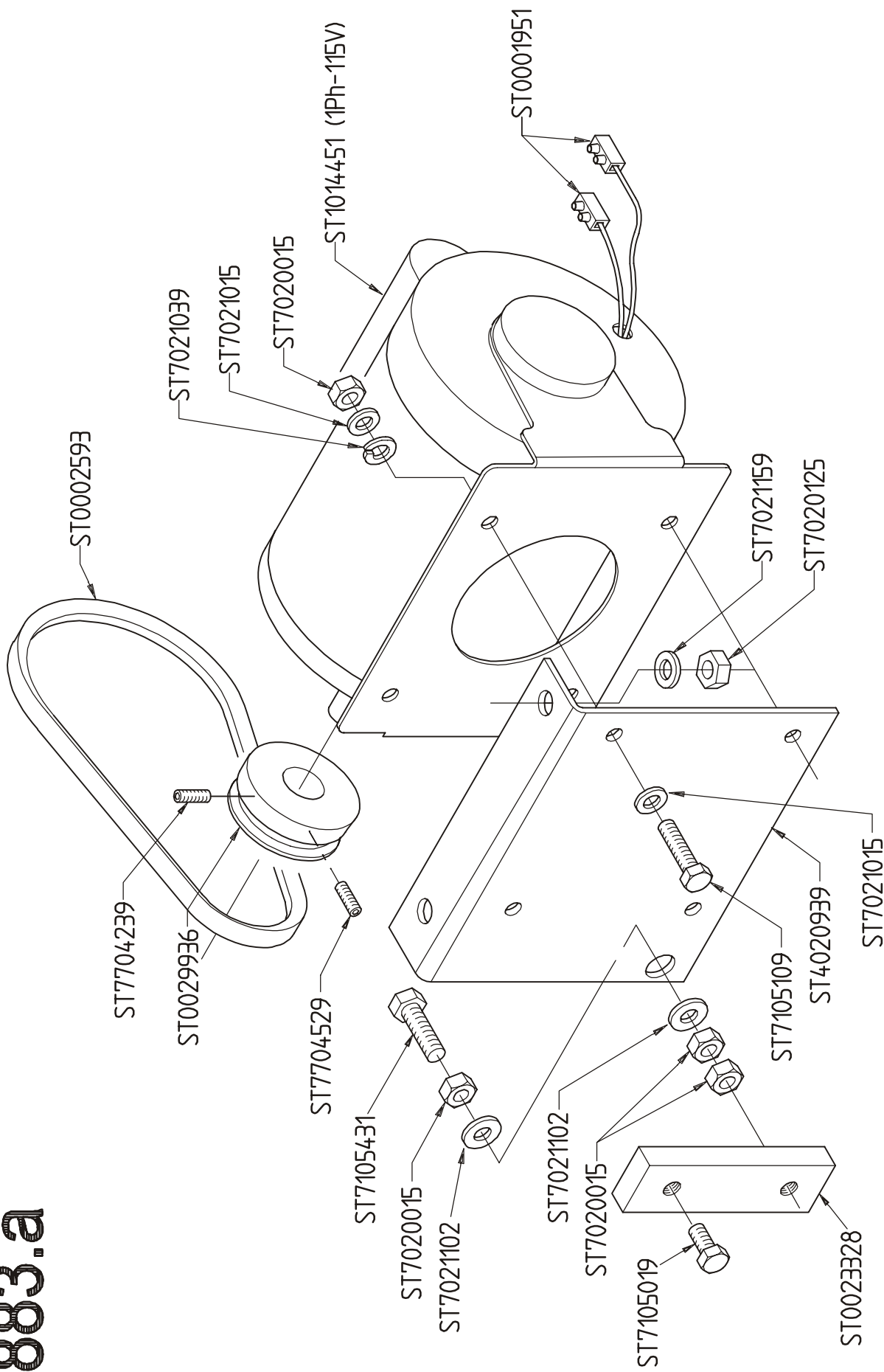




09/2004

# 883.a

096-L-April-07



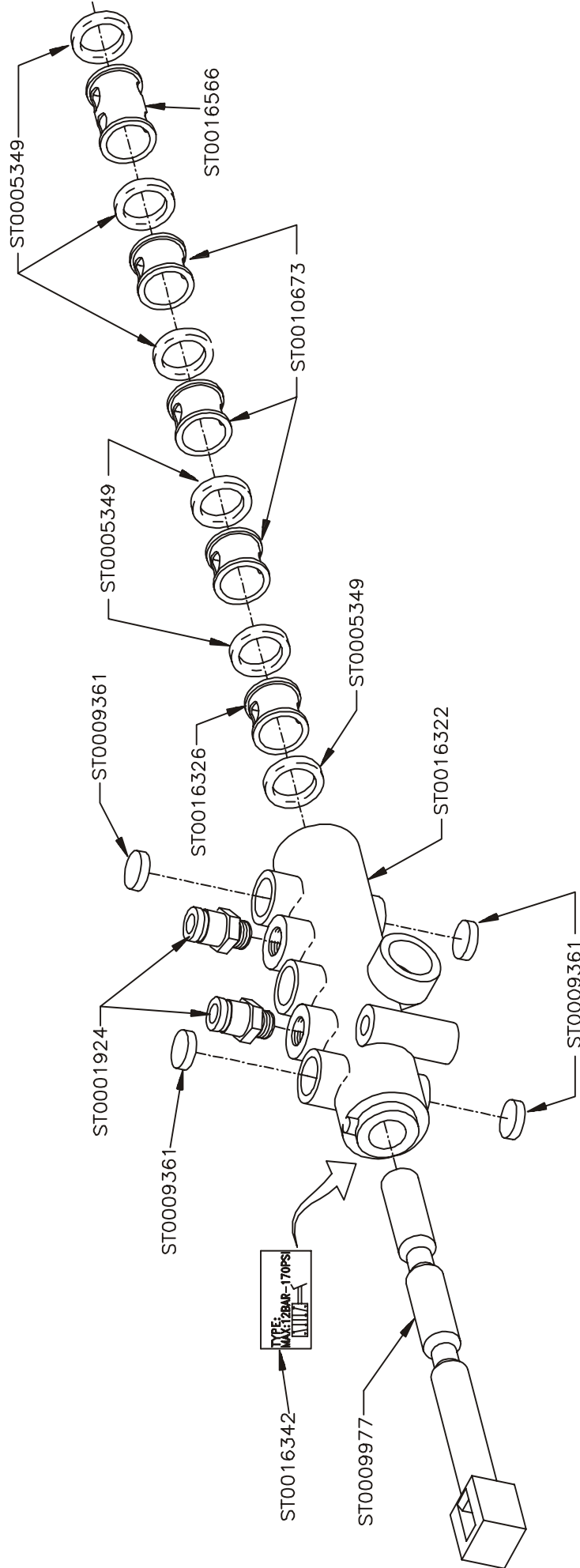


# ST4019822

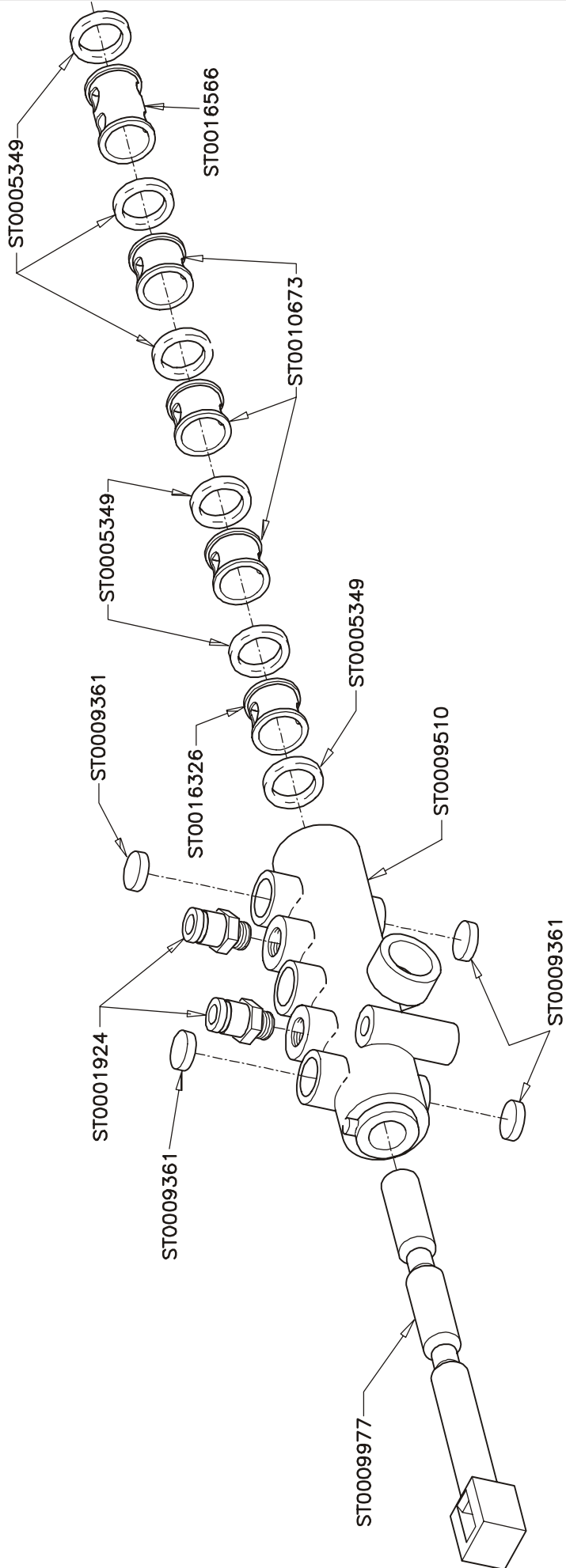
01/2002

096-L-April-07

# 1089



639

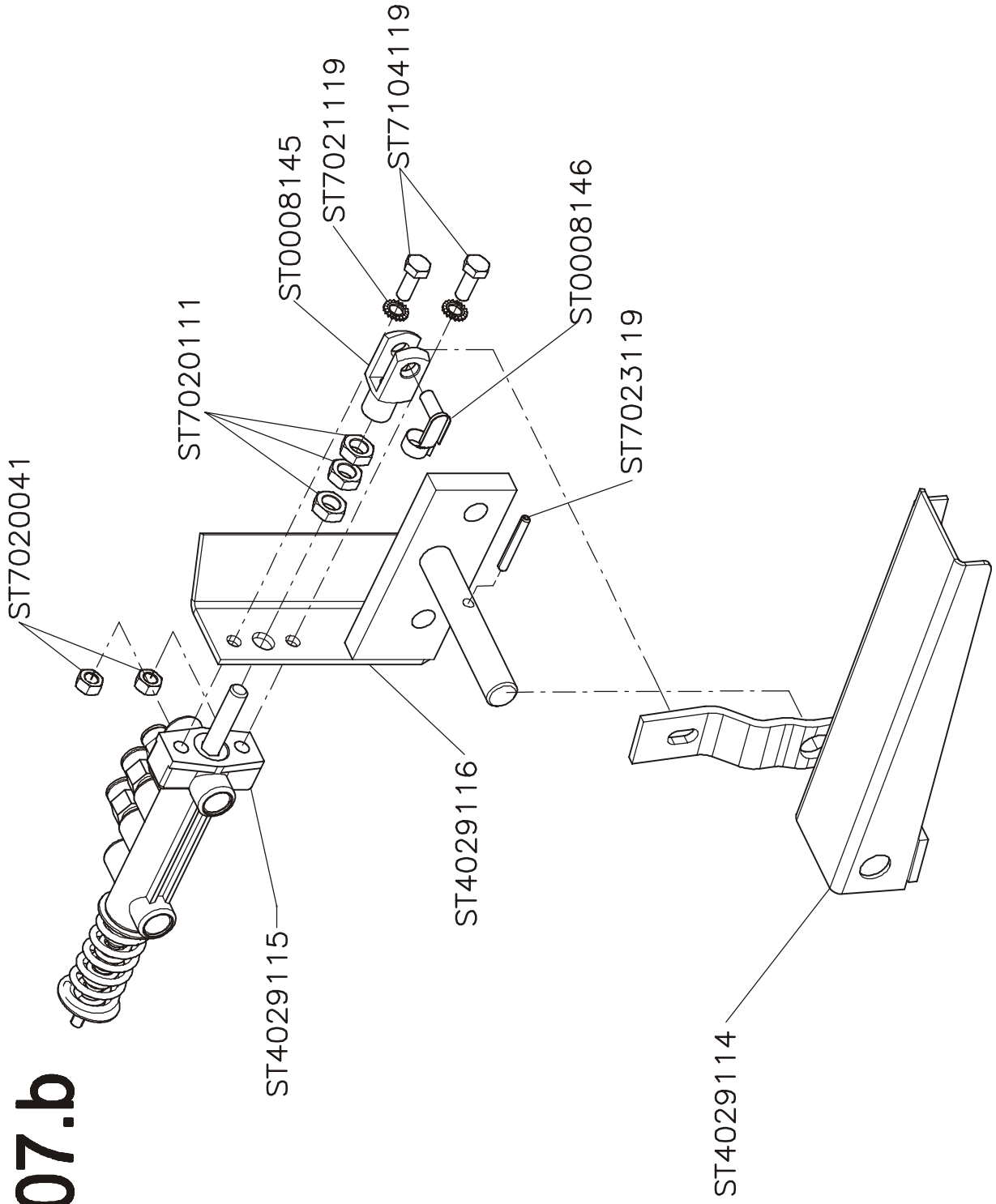


ST4017159

09/97

096-L-April-07

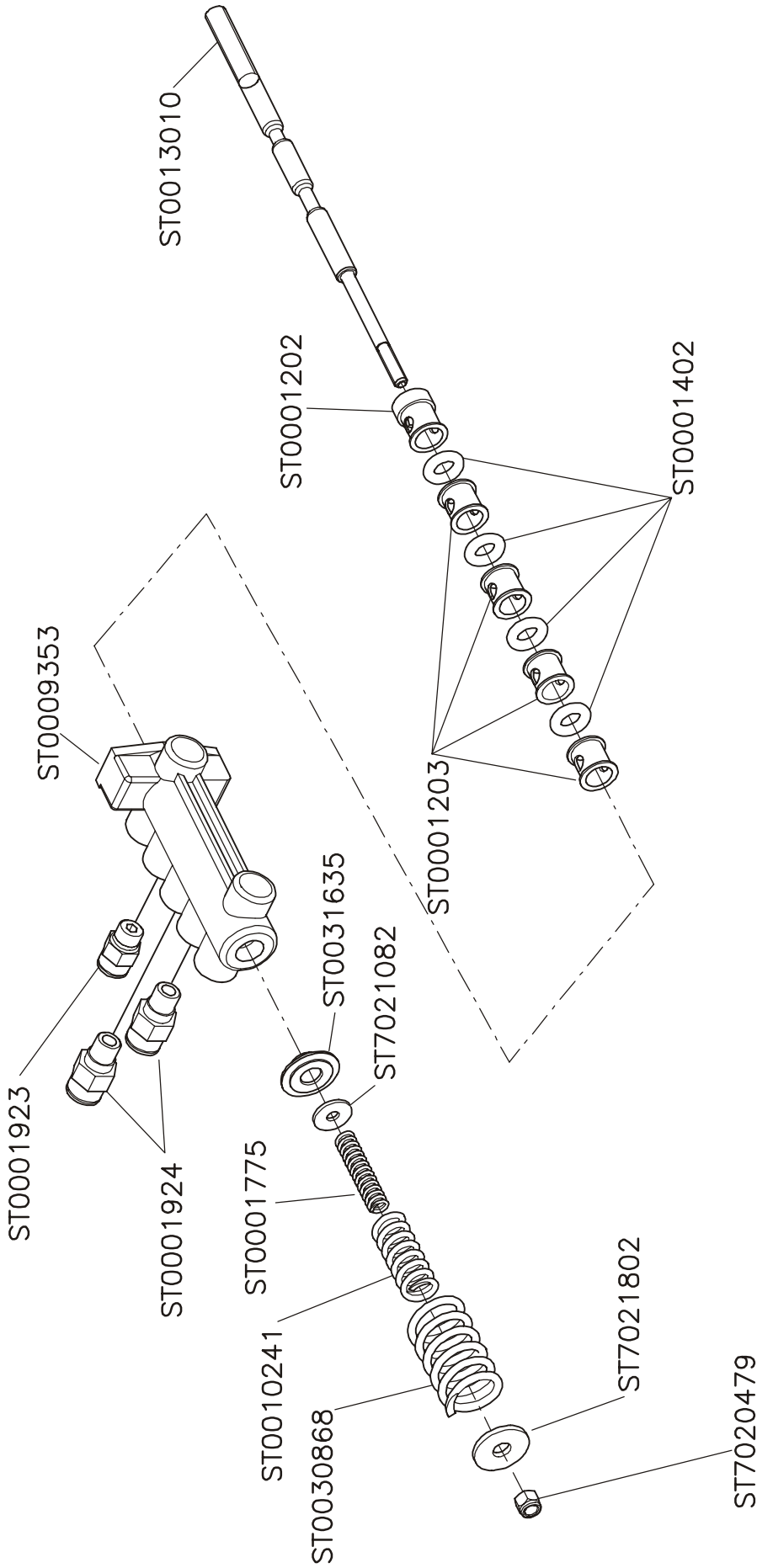
# 1507.b



# ST4029117

03/2006

# 1509.b

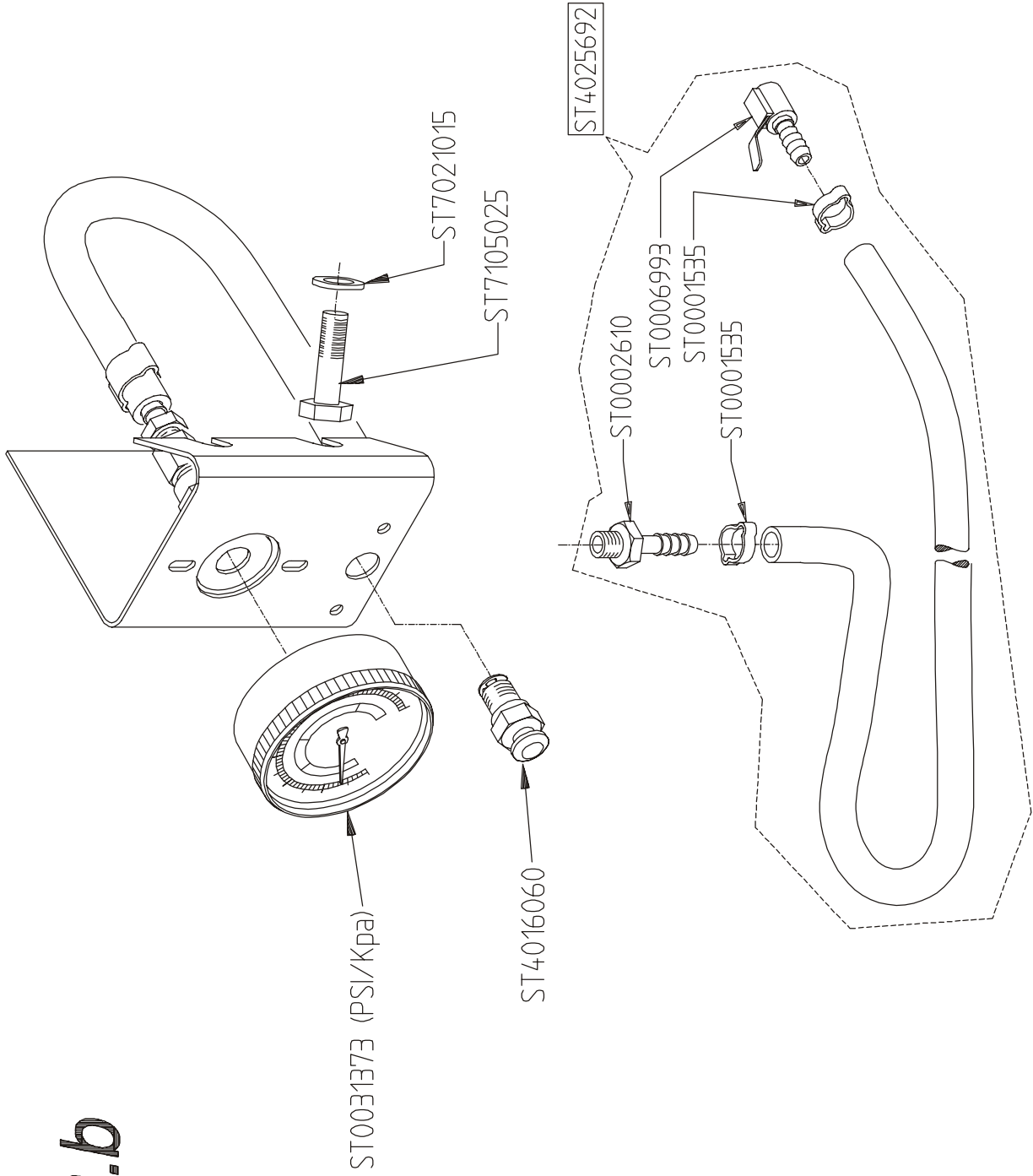


# ST4029115

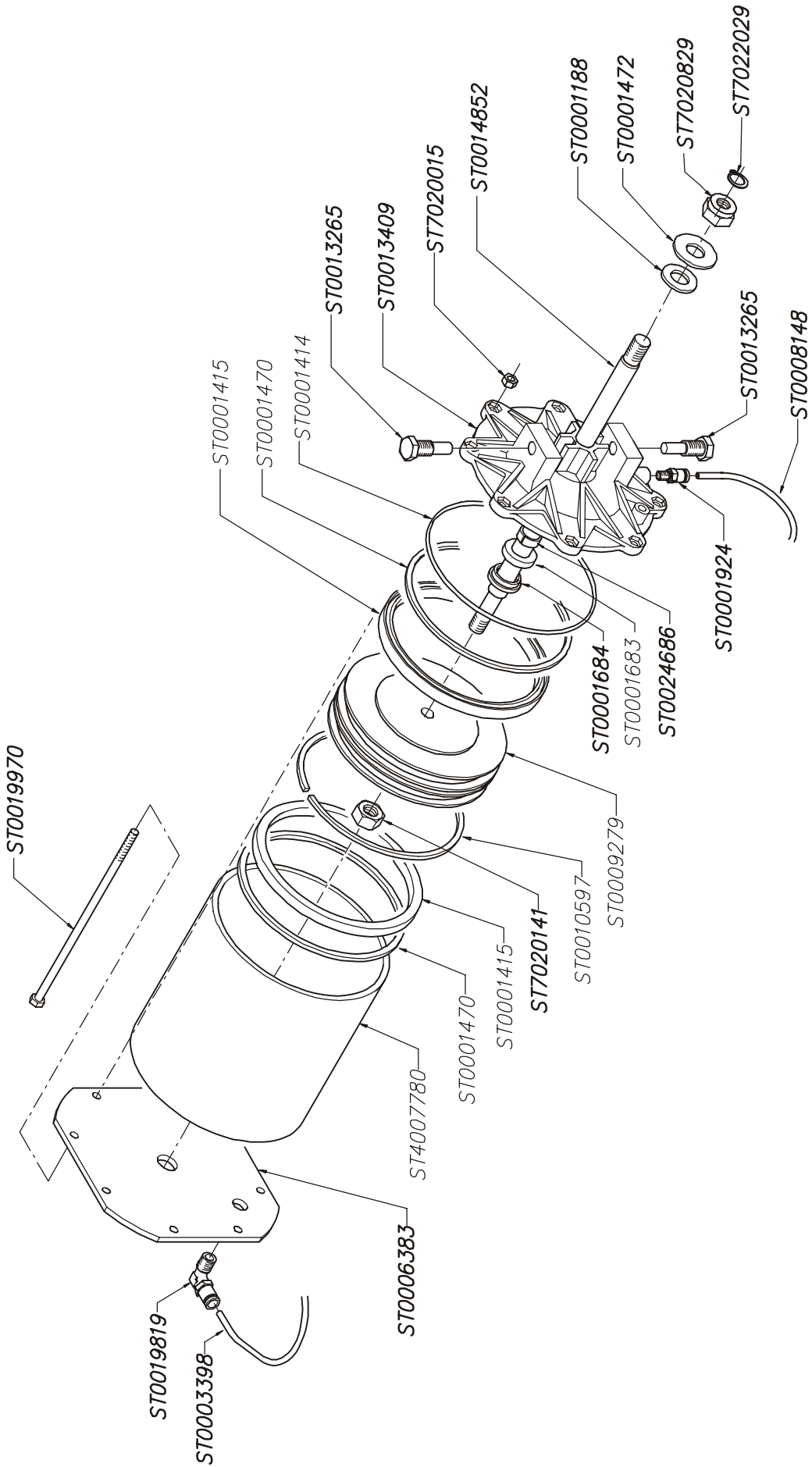
03/2006

096-L-April-07

# 632.b



# 591.C

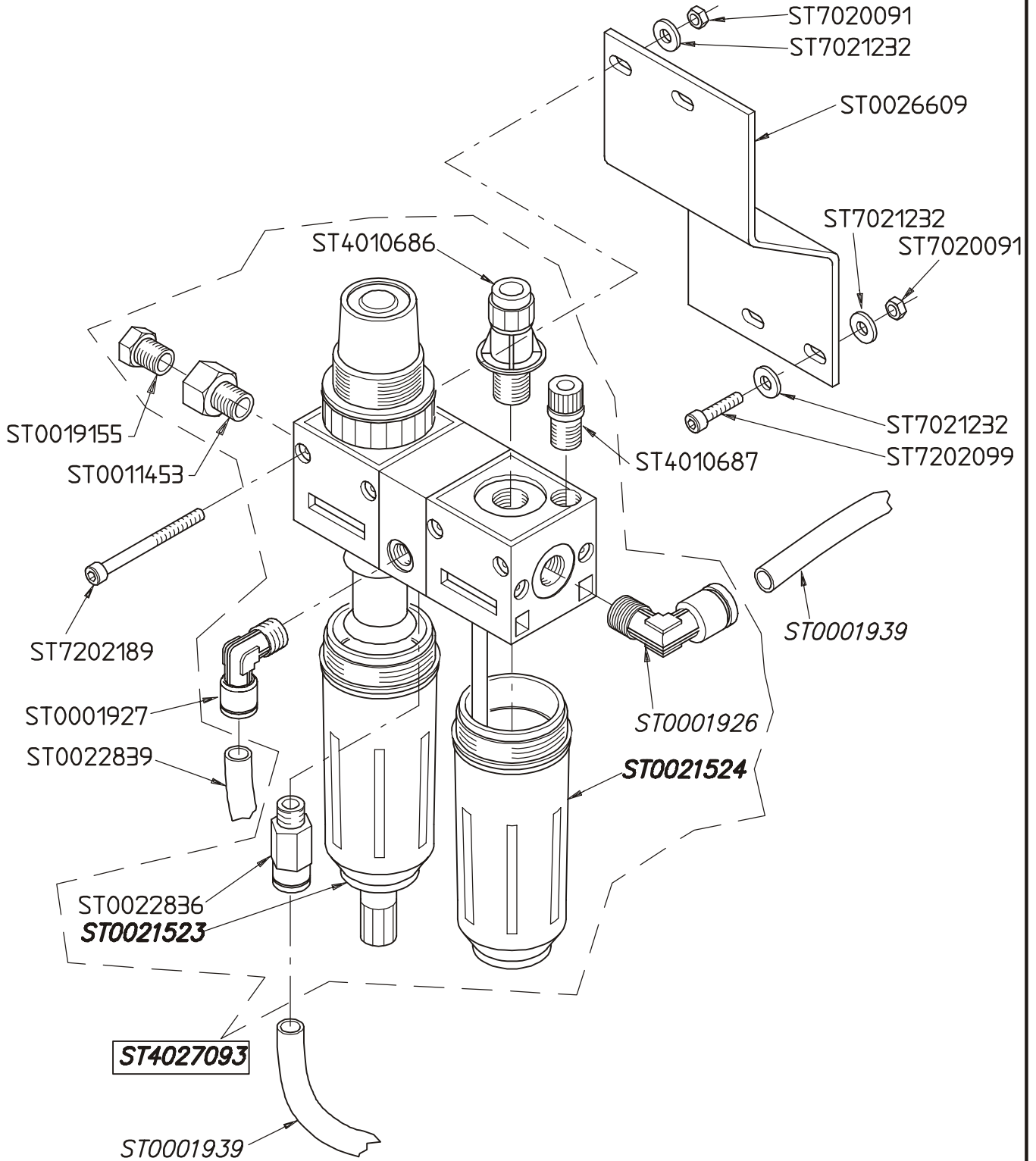


# ST4014897

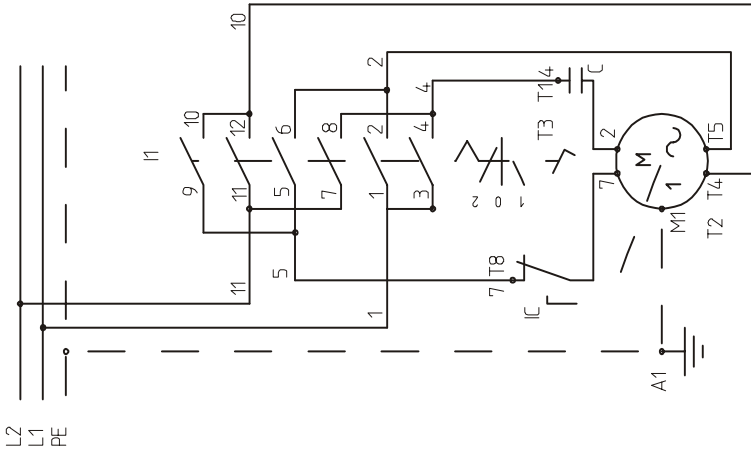
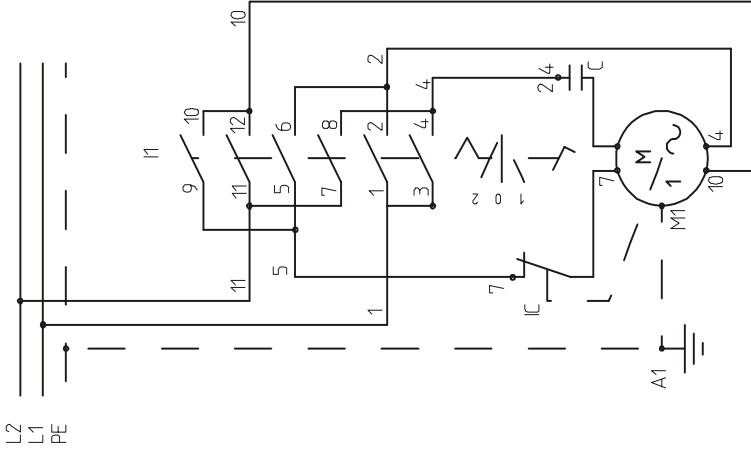
03/2006



# 1152.a



096-L-April-07



3	9-10				
2	11-12				
1	5-6				
	7-8				
	1-2				
	3-4				
		1	0	2	

SCHEMA COLLEGAMENTO INVERTITORE  
 SCHEMA DE CONNECTION DE L'INVERSEUR  
 INVERTER CONNECTION DIAGRAM  
 WENDEGETRIEBE ANSCHLUSSPLAN

MOTORE LEESSON  
 MOTEUR LEESSON  
 MOTOR LEESSON  
 MOTOR LEESSON

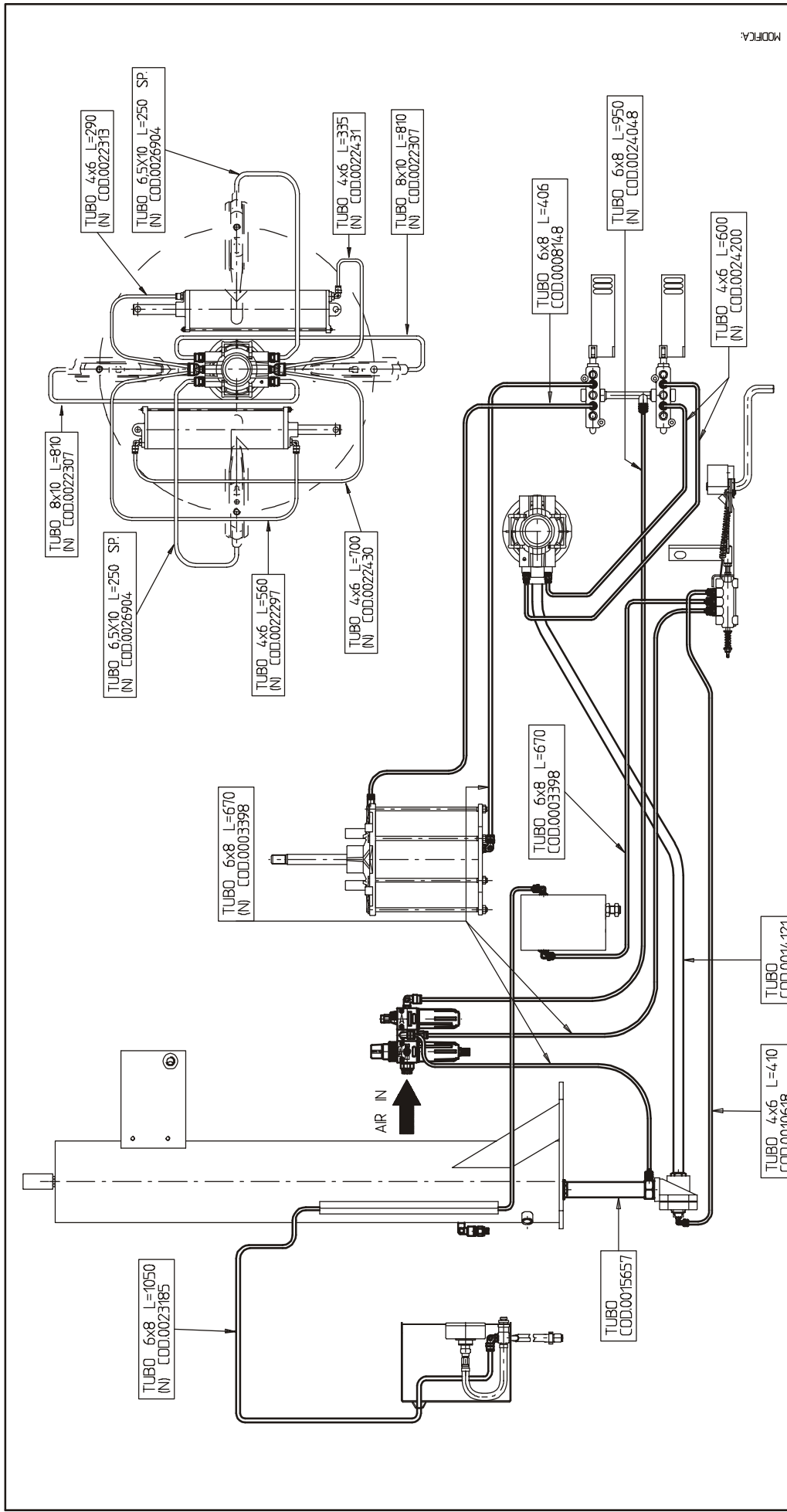
MOTORE AO SMITH  
 MOTEUR AO SMITH  
 MOTOR AO SMITH  
 MOTOR AO SMITH

T ALLACCIAMENTO MORSETTIERA MOTORE  
 T CONNECTION DES ET AUX DU MOTEUR  
 T MOTOR TERMINAL BOARD CONNECTION  
 T MOTOR - KLEMMENBRETT ANSCHLUSS  
 C CONDENSATORE CONDENSATEUR  
 C INT. CENTRIFUGO INT. CENTRIFUGE  
 I1 INVERTITORE INVERSEUR  
 M1 MOTORE MOTEUR  
 A1 CARCASSA CHASSIS

CAPACITOR  
 SPINNING SWITCH  
 REVERSING SWITCH  
 MOTOR  
 FRAME  
 KONDENSATOR  
 SCHLEUDERSCHALTER  
 WENDESCHALTER  
 MOTOR  
 GEHAUSE

MODIFICATA: 1) AGGIORNATO SCHEMA / 13-05-99 / FL  
 2) AGGIUNTO SCHEMA PER MOTORE LEESSON / 2004-03-12 / PRATZOLI

MATERIALE	STATO MATERIALE	DIMENSIONI	TRATTAMENTI	HRC
TOLLERANZE QUOTE LIBERE JS -14 - js -14	SMUSSI E RAGGI NON QUOTATI: 0.5 mm	DISEGNATORE FUSARI		HB
ORIGINE:	PROGETTISTA VISTO DIR. TECNICO:	DATA 1999-05-13	SOSTITUISCE IL N. DEL 02-11-92	Sh
	FAMIGLIA 824	SCALA	SOSTITUITO DAL N. COD. SNAP-ON	REV.
	PROGETTO 3400	DENOMINAZIONE SCHEMA ELETTRICO MOTORE MONOFASE AMERICANO	DIS. N. 0014449	



MODIFICA:

MATERIALE	STATO MATERIALE	DIMENSIONI	TRATTAMENTI	HRC
TOLLERANZE QUOTE LIBERE JS -14 - JS +14	SMISST E RAGGI NON QUOTATI: 0.5 mm	PROGETTISTA ZANNI A. 2003-07-07		HB
ORIGINE:	FAMGLIA 824	VISTO DR. TECNICO	SCALA /	Sh
<b>SNAP-ON</b> CORREGGIO, ITALY	DESCRIZIONE SCHEMA TUBI ARIA EHP SYSTEM 2		SOSTITUISCE IL N. SOSTITUITO DAL N. PON: COD. SNAP-ON	
THE DATA, DRAWINGS AND INFORMATION CONTAINED IN THIS DOCUMENT IS CONFIDENTIAL AND THE SOLE PROPERTY OF SNAP-ON. AND MAY NOT BE REPRODUCED, USED, OR DISCLOSED WITHOUT WRITTEN PERMISSION OF AN OFFICER OF SNAP-ON.				REV
				DIS. N. 0029124



®

#### **USA**

John Bean  
309 Exchange Avenue  
Conway, Arkansas 72032  
Tel.: (800) 362-8326 or (501) 450-1500  
Fax: (501) 450-1585

#### **CANADA**

John Bean  
6500 Millcreek Drive  
Mississauga, Ontario  
Canada L5N 2W6  
Tel: (905) 814-0114  
Fax: (905) 814-0110

#### **LATIN AMERICA**

International Equipment Group  
309 Exchange Avenue  
Conway, Arkansas 72032  
Tel.: (501) 450-1568  
Fax: (501) 450-2086

**Notice:** The information contained in this document is subject to change without notice. **John Bean** makes no warranty with regard to this material. **John Bean** shall not be liable for errors contained herein or for incidental consequential damages in connection with furnishings, performance, or use of this material.

This document contains proprietary information which is protected by copyright and patents. All rights are reserved. No part of this document may be photocopied, reproduced, or translated without prior written consent of **John Bean**.



is a registered trademark of John Bean and Snap-on Incorporated.