

EQUIPMENT SERVICE ON SITE



ECO XTREME

**EEAC316A
EEAC318A**

Parts Reference Manual



June, 2002

All information contained or disclosed in this document is considered confidential and proprietary by Snap-on Tools Company. All manufacturing, use, reproduction, and sales rights are reserved by Snap-on Tools Company and the information contained herein shall not be used in whole or in part without the express written consent of Snap-on Tools Company.

PARTS

GENERAL

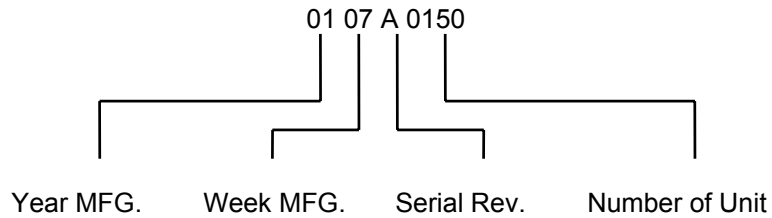
ECO XTREME

This document describes assemblies/subassemblies/parts considered replaceable at on-site field installation.

NOTE: *The following is a breakdown description of the Serial Number.*

Serial # Location - Back side in front of scale assembly.

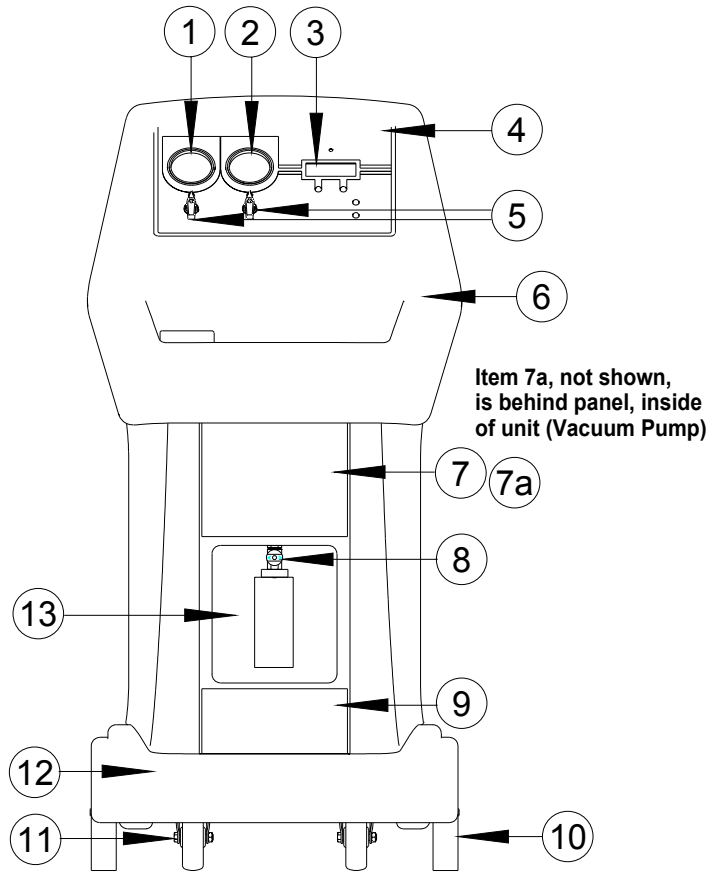
Example:



NS: NOT SHOWN IN PICTORIAL

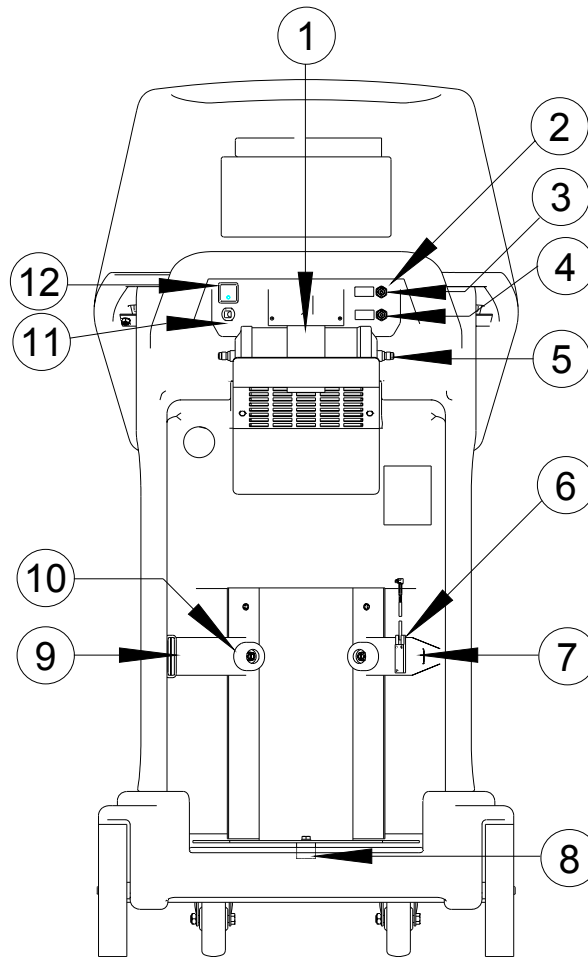
PARTS BY PICTORIAL

FRONT VIEW (ECO-XTREME)



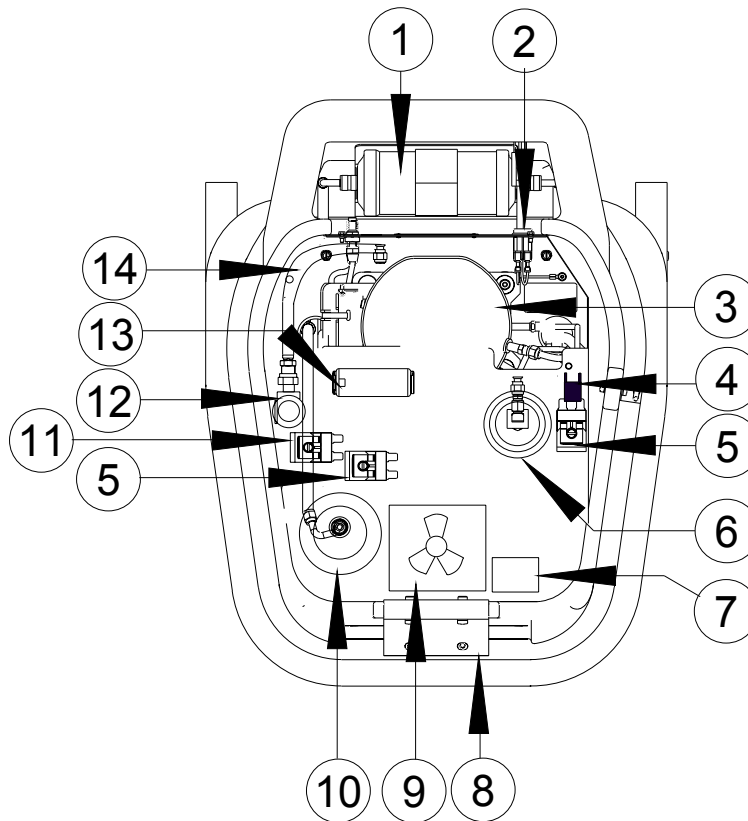
ITEM	DESCRIPTION	PART NUMBER	ITEM	DESCRIPTION	PART NUMBER
1a.	Gauge, Low Side	8-04320A	7.	Label, Front Panel	EAL0358L02A
1b.	Lens	8-1112	7a	Vacuum Pump Assy	EAA0275L19A
2a.	Gauge, High Side	8-04220A	8.	Valve, Oil Drain	1-16581A
2b.	Lens	8-1112	9.	Label, Front Panel	EAL0358L03A
3.	Main Board (For Model EEAC316)	EAP0214L00A	10a.	Wheel, 7" Black	8-22239A
3a.	Main Board (For Model EEAC318)	EAP0214L30A	10b	Hub cap, (Push nut)	1-07139A
4.	Label, Front Panel	EAL0358L00A	11.	Caster, w/o Brake	8-19839
5.	Ball Valve	1-3381	12.	Bottom, Plastic	EAC0062L00A
6.	Top, Plastic	EAC0062L02A	13.	Bottle, Plastic	1-885
				Cabinet, plastic	EAC0062L10A
			NS	Cover	EEAC316ACV

BACK VIEW (ECO XTREME)



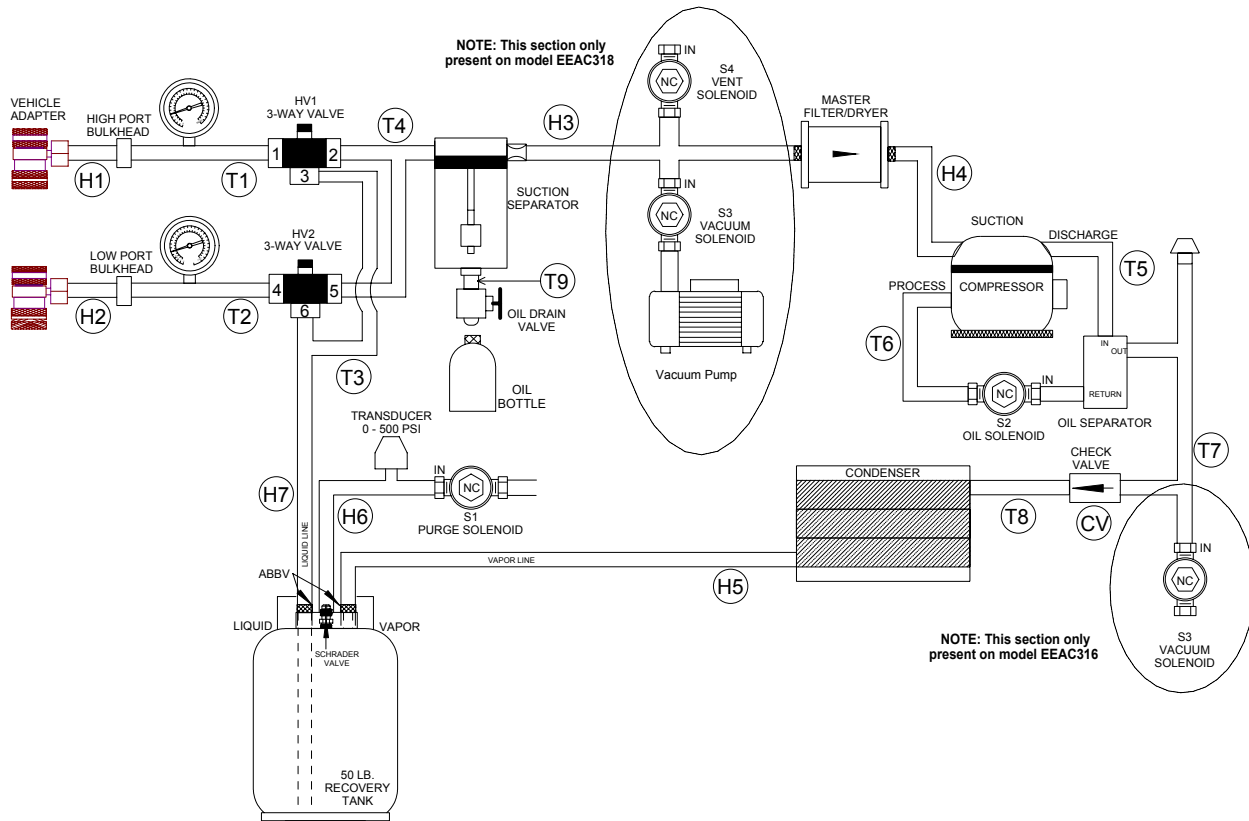
ITEM	DESCRIPTION		ITEM	DESCRIPTION	PART NUMBER
1a	Velcro Strap	5-09726A	8.	Load Cell	EAA0232L00A
2a	Bulk head fittings,(2)	1-22180	9.	Velcro Strap w/ D-ring	5-09226A
3	High side Hose	EAH0001C01A	10.	Bumper, rubber	8-08218A
4	Low side Hose	EAH0040L22A	11.	Cord, Power	6-3421
5	Master Filter	EAK0030C01AB	12.	Switch, On/Off	2-12358A
6.	Temperature Probe	EAA0223L19A			
7.	Velcro Strap	5-09626A	NS	Tank, recovery	EAA0275L05A

TOP VIEW



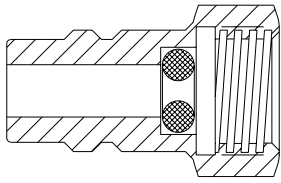
ITEM	DESCRIPTION	PART NUMBER	ITEM	DESCRIPTION	PART NUMBER
1.	Master Filter	EAK0030C01AB	8.	Condenser	2-2168
2.	On / Off switch	2-12358A	9.	Fan	2-2568
3.	Compressor	EAA0236L00AR	10.	Accumulator Assy (for Model EEAC316)	EAA0275L12A
4.	High pressure switch	1-13881	10a	Accumulator Assy (for Model EEAC318)	EAA0275L09A
5.	Solenoid (also for S4 if Model EEAC318)	2-08837A	11.	Solenoid, 1/32 orifice	2-08937A
6.	Separator, Oil	1-3385A	12.	Transducer, Pressure	2-19966
7.	Transformer, 12 volt	EAW0153C00A	13.	Capacitor, Start	2-1229
			14.	Hose Purge, Yel.	EAH0040L00A

HOSES AND TUBES DIAGRAM

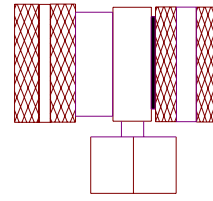
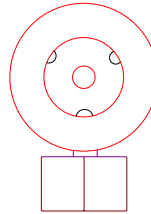


ITEM	DESCRIPTION	PART NUMBER	ITEM	DESCRIPTION	PART NUMBER
T1	Tube, High side gauge	EAH0040L12A	H1	Hose, Red, 8'	EAH0001C01A
T2	Tube, Low side gauge	EAH0040L11A	H2	Hose, BLUE 8', with Vacuum Port	EAH0040L22A
T3	Tube, Discharge Pump	EAH0040L09A	H3	Hose, Blue, Master Fil.	EAH0040L01A
T4	Tube, Charge	EAH0040L17A	H4	Hose, R-12 BLUE	EAH0040L02A
T5	Tube, Discharge	EAH0040L14A	H5	Hose, R-134a BLUE	EAH0040L03A
T6	Tube, Oil return	EAH0040L13A	H6	Hose, Purge, Yel.	EAH0040L00A
T7	Tube, Sep. out (EEAC316)	EAH0040L16A	H7	Hose, Red Tank hose	EAA0275L30A
T7a	Tube, Sep. out (EEAC318)	EAH0040L15A	CV	Check valve	1-16481A
T8	Tube, Condenser in	EAH0040L08A	NS	Washer, copper crush	1-7079
T9	Tube, oil drain	EAH0040L07A	NS	Anti-Blowback valve	1-26280
			NS	O-Ring	8-6414

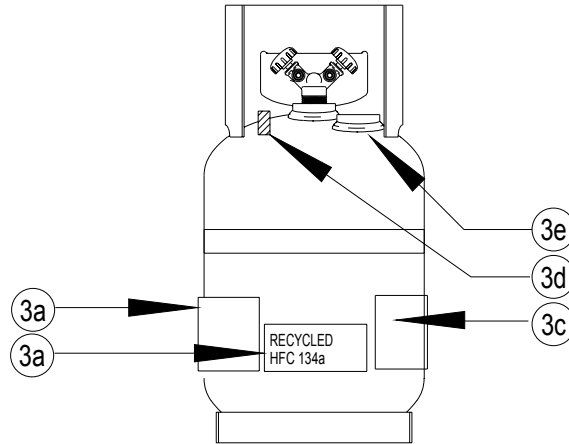
ACCESSORIES



1.



2.



3.

ITEM	DESCRIPTION	PART NUMBER	ITEM	DESCRIPTION	PART NUMBER
1.	Adapter, R134a Tank	115080	3a.	Label, Valve	EAL0292L00A
2a.	Vehicle adapter HIGH	1-27180	3b.	Label, Recycled	EAL0138C00A
2b.	Vehicle adapter LOW	1-27280	3c.	Label, Tank Notice	EAL0291L00A
3.	Tank, recovery	EAA0275L05A	3d.	Purge valve	NOT AVAILABLE
			3e.	Plug	NOT AVAILABLE
				Y-valve	NOT AVAILABLE
				Knobs	NOT AVAILABLE

PARTS IN ALPHABETICAL ORDER

DESCRIPTION	PART NUMBER	COMMENTS
Adapter, High	1-27180	R-134a Service Coupler
Adapter, Low	1-27280	R-134a Service Coupler
Adapter, R-134a Tank	1-15080	Virgin tank
Accumulator Assy (EEAC316)	EAA0275L12A	
Accumulator Assy (EEAC318)	EAA0275L09A	
Ball Valve	1-3381	Front panel
Board, Controller (EEAC316)	EAP0214L00AR	
Board, Controller (EEAC318)	EAP0214L30AR	
Bottle, 8 oz.	1-885	Plastic
Bumper, rubber	8-08218A	Qty. 2 behind tank
Cabinet,	EAC0062L00A	Bottom unit
Cabinet, (EEAC316)	EAC0062L01A	Middle of unit
Cabinet, (EEAC318)	EAC0062L10A	Middle of unit
Cabinet,	EAC0062L02A	Top of unit
Cap, Compressor Start	2-1229	
Cap	1-985	
Caster	8-19839	w/o Brake
Check valve	1-16481A	1/3 psi
Compressor	EAA0236L00AR	
Condenser	2-2168	
Cord, AC Power	6-3421	
Cover	EEAC316ACV	
Drain valve	1-16581A	
Fan	2-2568	
Filter, Master	EAK0030C01A	
Gauge, High Side	8-04220A	
Gauge, Low Side	8-04320A	
Hose, Red, 8'	EAH0001C01A	H1
Hose, BLUE 8'	EAH0040L22A	H2
Hose, Blue, Master Fil.	EAH0040L01A	H3
Hose, BLUE	EAH0040L02A	H4
Hose, BLUE	EAH0040L03A	H5
Hose, Purge, Yel.	EAH0040L00A	H6
Hose, Red Tank hose	EAA0275L30A	H7
Hub cap	1-0739A	Hub, Wheel
Kit, Compressor Parts	EAK0225L01A	(Less Compressor)
Kit, Hose Repair	EAK0053C02AB	R-134a
Filter, Master, kit	EAK0030C02AB	R134a
Label, Front Panel	EAL0358L00A	Label around gauges
Label, Front Panel	EAL0358L02A	Above oil drain
Label, Front Panel	EAL0358L03A	Below oil drain
Label, Recycled R-134a	EAL0138C00A	On tank
Label, Tank Use	EAL0291L00A	On tank
Label, Valve	EAL0292L00A	On tank
Lense, gauge	8-1112	
Load Cell	EAA0232L00A	
O-ring	8-6414	
O-Ring Kit, R-134a	EAK0027C00AS	Adapters
Orifice	1-7279	Adapter
Port, Service R-134a	1-22180	QTY. 2

EEAC316/318 PARTS REFERENCE

DESCRIPTION	PART NUMBER	COMMENTS
Probe, Temperature	EAA0223L19A	
Pump, Vacuum	EAA0275L19A	Only used on model EEAC318
Seal Kit	EAK0017C00A	
Separator, Oil	1-3385	
Solenoid	2-08837A	Qty. 2 (3) (Also used for S4 if on model EEAC318)
Solenoid, Purge	2-08937A	1/32 orifice / Qty. 1
Strain Relief	8-3916	
Switch, High Pressure	1-13881	
Switch, On/Off	2-12358A	
Tank, R-134a Recovery	EAA0275L05A	
Transducer, Purge	2-19966	
Transformer,	EAW0153C00A	12 volt
Tube, Oil Drain	EAH0040L07A	T9
Tube, Recharge	EAH0040L09A	T3
Tube, Low Side	EAH0040L11A	T2
Tube, High Side	EAH0040L12A	T1
Tube, Sep. Out (EEAC316)	EAH0040L16A	T7
Tube, Sep. Out (EEAC318)	EAH0040L15A	T7a
Tube, Suction separator	EAH0040L17A	T4
Tube, Oil Return	EAH0040L13A	T6
Tube, Discharge	EAH0040L14A	T5
Tube, Condenser	EAH0040L08A	T8
Valve, Anti-Blow-Back	1-26280	Qty. 2
Pressure Transducer Assy.	EAA0275L00A	
Valve, Check	1-16481A	
Valve, Oil Drain	1-16581A	
Velcro Strap	5-09626A	
Velcro Strap w/D-ring	5-09226A	
Wheels	8-22239A	Qty. 2 / 7 inch
Washer, crush	1-7079	Copper

PARTS IN NUMERICAL ORDER

<u>PART NUMBER</u>	<u>DESCRIPTION</u>	<u>COMMENTS</u>
1-07139A	Hub cap	Push nut
1-13881	Switch, High Pressure	
1-15080	Adapter, R-134a Tank	Virgin tank
1-16481A	Check valve	1/3 psi
1-16581A	Drain valve	
1-16581A	Valve, Oil Drain	
1-22180	Port, Service R-134a	Qty. 2
1-26280	Valve, Anti-Blow-Back	Qty. 2
1-27180	Adapter, High	R-134a Service Coupler
1-27280	Adapter, Low	R-134a Service Coupler
1-3381	Ball Valve	Front panel
1-3385	Separator, Oil	
1-7079	Washer, crush	Copper
1-7279	Orifice	Adapter
1-885	Bottle, 8 oz.	Plastic
1-985	Cap	
2-08837A	Solenoid	Qty. 2 (3) (Also used for S4 if on model EEAC318)
2-08937A	Solenoid, Purge	1/32 orifice / Qty. 1
2-1229	Cap, Compressor Start	
2-12358A	Switch, On/Off	
2-19966	Transducer, Purge	
2-2168	Condenser	
2-2568	Fan	
5-09226A	Velcro Strap w/D-ring	
5-09626A	Velcro Strap	
6-3421	Cord, AC Power	
8-04220A	Gauge, High Side	
8-04320A	Gauge, Low Side	
8-08218A	Bumper, rubber	Qty. 2 behind tank
8-1112	Lense, gauge	
8-19839	Caster	w/o Brake
8-22239A	Wheels	Qty. 2 / 7 inch
8-3916	Strain Relief	
8-6414	O-ring	
EAA0223L19A	Probe, Temperature	
EAA0232L00A	Load Cell	
EAA0236L00AR	Compressor	
EAA0275L00A	Tank, R-134a Recovery	
EAA0275L00A	Pressure Transducer Assy.	
EAA0275L09A	Accumulator Assy (EEAC318)	
EAA0275L12A	Accumulator Assy (EEAC316)	
EAA0275L19A	Pump, Vacuum	Used on model EEAC318 only
EAA0275L30A	Hose, Red Tank hose	H7
EAC0062L00A	Cabinet,	Bottom unit
EAC0062L01A	Cabinet, (EEAC316)	Middle of unit
EAC0062L02A	Cabinet,	Top of unit
EAC0062L10A	Cabinet, (EEAC318)	Middle of unit
EAH0001C01A	Hose, Red, 8'	H1
EAH0040L00A	Hose, Purge, Yel.	H6
EAH0040L01A	Hose, Blue, Master Fil.	H3
EAH0040L02A	Hose, BLUE	H4

EEAC316/318 PARTS REFERENCE

<u>PART NUMBER</u>	<u>DESCRIPTION</u>	<u>COMMENTS</u>
EAH0040L03A	Hose, BLUE	H5
EAH0040L07A	Tube, Oil Drain	T9
EAH0040L08A	Tube, Condenser	T8
EAH0040L09A	Tube, Recharge	T3
EAH0040L11A	Tube, Low Side	T2
EAH0040L12A	Tube, High Side	T1
EAH0040L13A	Tube, Oil Return	T6
EAH0040L14A	Tube, Discharge	T5
EAH0040L15A	Tube, Sep. out	T7a
(EEAC318)		
EAH0040L16A	Tube, Sep. out	T7
(EEAC316)		
EAH0040L17A	Tube, Suction separator	T4
EAH0040L22A	Hose, Blue 8', with Port	H2
EAK0017C00A	Seal Kit	
EAK0027C00AS	O-Ring Kit, R-134a	Adapters
EAK0030C01A	Filter, Master	
EAK0030C02AB	Filter, Master, kit	R134a
EAK0053C02AB	Kit, Hose Repair	R-134a
EAK0225L01A	Kit, Compressor Parts	(Less Compressor)
EAL0138C00A	Label, Recycled R-134a	On tank
EAL0291L00A	Label, Tank Use	On tank
EAL0292L00A	Label, Valve	On tank
EAL0358L00A	Label, Front Panel	Label around gauges
EAL0358L02A	Label, Front Panel	Above oil drain
EAL0358L03A	Label, Front Panel	Below oil drain
EAP0214L00AR	Board, Controller (EEAC316)	
EAP0214L30AR	Board, Controller (EEAC318)	
EAW0153C00A	Transformer,	12 volt
EEAC316ACV	Cover	

WIRING HARNESSSES

<u>PART NUMBER</u>	<u>DESCRIPTION</u>	<u>EEAC316</u>	<u>EEAC318</u>	<u>COMMENTS</u>
EAW0250L00A	Main Wiring Harness	X		Harness
EAW0250L50A	Main Wiring Harness		X	Harness
EAW0250L08A	Transducer Harness	X		Harness
EAW0250L05A	High Pressure Switch	X		Harness
EAW0250L04A	Pwr. Sw. to PCB.	X		Harness
EAW0250L51A	Pwr. Sw. to PCB.		X	Harness
EAW0153C00A	Wall transformer	X		Harness
EAW0250L52A	Vac. Pump Extension		X	Harness

EQUIPMENT SERVICE ON SITE



355 Exchange Ave.
Conway, AR 72032