

EQUIPMENT SERVICE ON SITE



**KOOL KARE XTREME**

**EEAC319A  
EEAC320A**

# Parts Reference Manual



**April, 2004**

**All information contained or disclosed in this document is considered confidential and proprietary by Snap-on Tools Company. All manufacturing, use, reproduction, and sales rights are reserved by Snap-on Tools Company and the information contained herein shall not be used in whole or in part without the express written consent of Snap-on Tools Company.**

# PARTS

## GENERAL

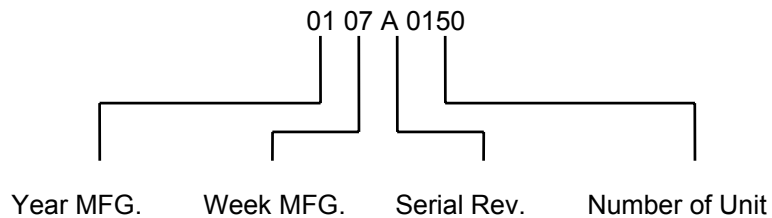
### KOOL KARE XTREME

This document describes assemblies/subassemblies/parts considered replaceable at on-site field installation.

**NOTE:** *The following is a breakdown description of the Serial Number.*

Serial # Location - Back side in front of scale assembly.

Example:

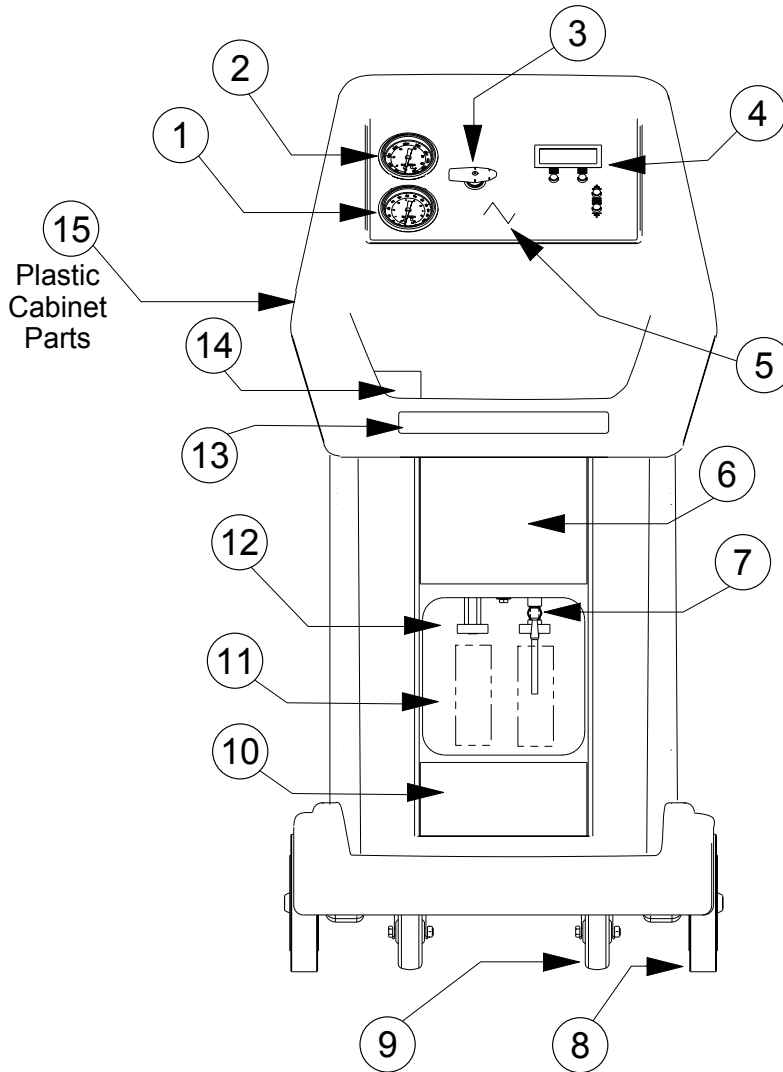


**NS:** NOT SHOWN IN PICTORIAL

**NOTE:** *NUMBERS MARKED WITH "\*" ARE NOT ENTERED INTO THE SYSTEM AND ARE HERE FOR REFERENCE. EXTRA LEAD TIME MAY BE NEEDED TO ORDER.*

**PARTS BY PICTORIAL**

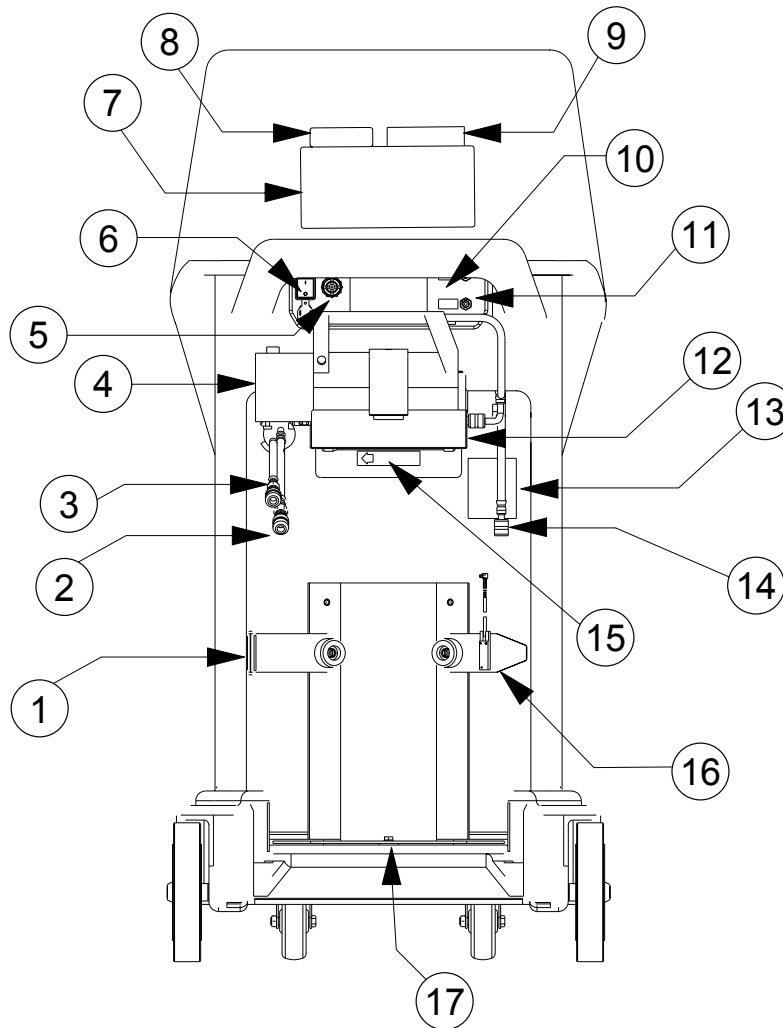
**FRONT VIEW (KOOL KARE-XTREME)**



**NOTE: NUMBERS MARKED WITH “\*” ARE NOT ENTERED INTO THE SYSTEM AND ARE HERE FOR REFERENCE. EXTRA LEAD TIME MAY BE NEEDED TO ORDER.**

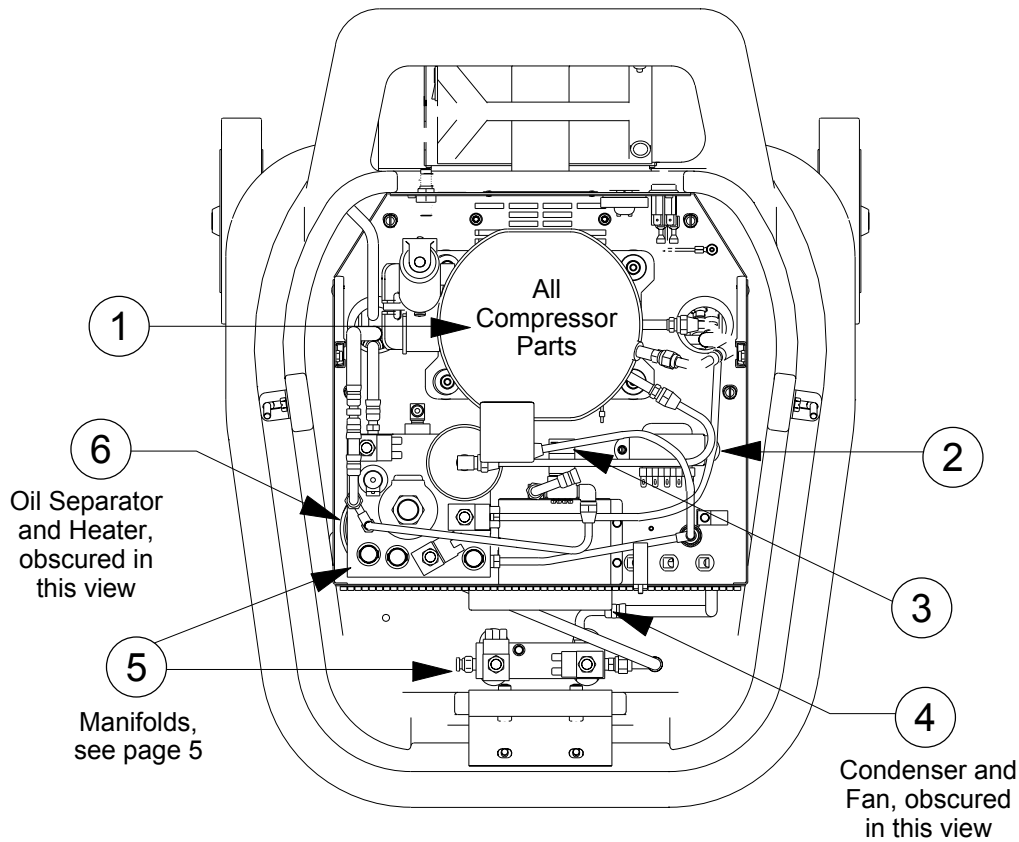
ITEM	DESCRIPTION	PART NUMBER	ITEM	DESCRIPTION	PART NUMBER
1	Gauge, Low	8-04320A	10	Label, Model	EAL0368L02A
2	Gauge, High	8-04220A	11	Bottle, 8 oz. plastic	1-05585A
3	Valve, Flow	EAA0289L00A	12	Cap, 8 oz. Bottle	1-08385A
4	Board, Control, w/ display and buttons	EAP0228L00A	13	Label, Vac. Pump (319 only)	EAL0288L01A
4a	Button Assembly only	EAC0072L00A	14	Label, Caution	EAL0236C00A
5	Label, Control Panel	EAL0368L00A	15a	Cabinet, Plastic Top	EAC0072L03A *
6	Label, Model	EAL0368L01A	15b	Cabinet, Plastic Middle	EAC0072L02A *
7	Valve, Toggle	1-21981A	15c	Cabinet, Plastic Base	EAC0062L00A *
8	Wheel, 7"	8-22239A			
9	Caster, 4"	8-19839			

**BACK VIEW (KOOL KARE XTREME)**



ITEM	DESCRIPTION	PART NUMBER	ITEM	DESCRIPTION	PART NUMBER
1	Strap, w/Buckle	5-09226A	11	Fitting, Bulkhead	1-22180
2	Hose Assy, red, Tank	EAA0275L30A	12	Filter/Dryer	1-13481
2a	Hose Only, red, Tank	EAH0040L04A	13	Label, EquiServ	EAL0264C00A
3	Hose Assy, blue, Tank	EAA0289L05A	14	Hose, Purge, yellow	EAH0042L03A
3a	Hose Only, blue, Tank	EAH0042L02A	15	Label, Flow	EAL0360L02A
4	Pump, Vacuum (319 only)	EAA0275L18A	16a	Strap, w/Velcro	5-09626A
5	Beeper, w/harness	EAW0251L20A	16b	Probe, Temperature	EAA0223L19A
6	Switch, Power	2-12358A	17	Load Cell	EAA0232L00A
7	Label, Warning	EAL0361L00A	N/S	Cord, Power	6-3421
8	Label, Comp. Oil change	EAL0293L00A	N/S	Valve, Anti-Blowback	1-26280
9	Label, U.L. 2210 spec.	EAL0304L00A	N/S	Washer, Copper Crush	1-08479A
10a	Label, low (blue)	EAL0358L05A	N/S	Manual, User's	ZEEAC319A
10b	Label, high (red)	EAL0358L04A			

**PLUMBING SHELF**

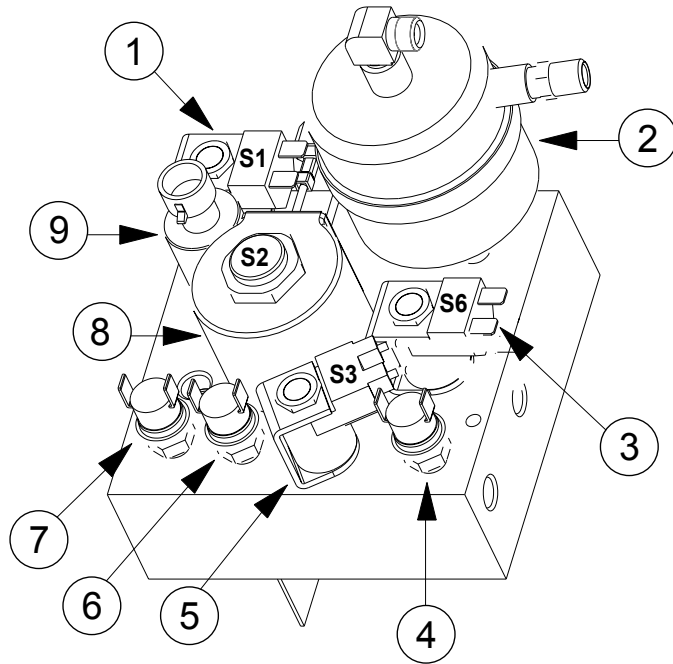


For Hoses and  
Tubes see page 6

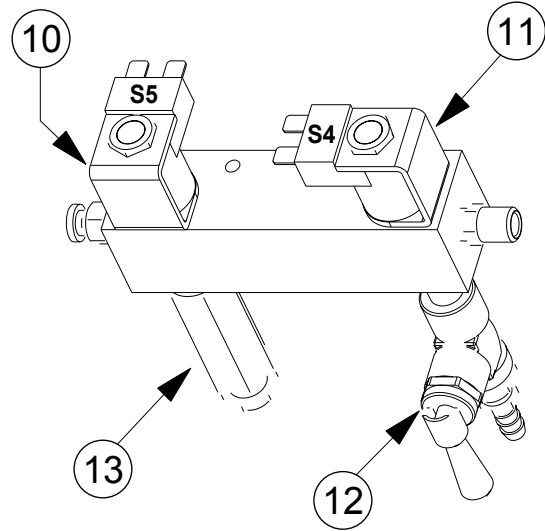
ITEM	DESCRIPTION	PART NUMBER	ITEM	DESCRIPTION	PART NUMBER
1	Compressor Assembly (complete)	EAA0289L06A	4a	Condenser	2-03968A
1a	Compressor w/ fittings only	EAA0025C01A	4b	Fan	2-2568
1b	Relay, Compressor start	2-7437	5	Manifolds – See Page 5 for details	
1c	Breaker, Thermal Overload	2-21166	6a	Separator (Accumulator)	1-08185A
1d	Capacitor, Start	2-1229	6b	O-ring, Accumulator	8-08014A
2	Transformer	7-14901A	6c	Heater, 2"	2-1868
3	Solenoid Assembly (S7)	2-09637A			
3a	Plunger (S7)	2-11637A			
3b	O-Ring (S7)	8-6214			
3c	Coil (S7)	2-10437A			

**MANIFOLDS**

**Main Manifold**



**Oil Manifold**



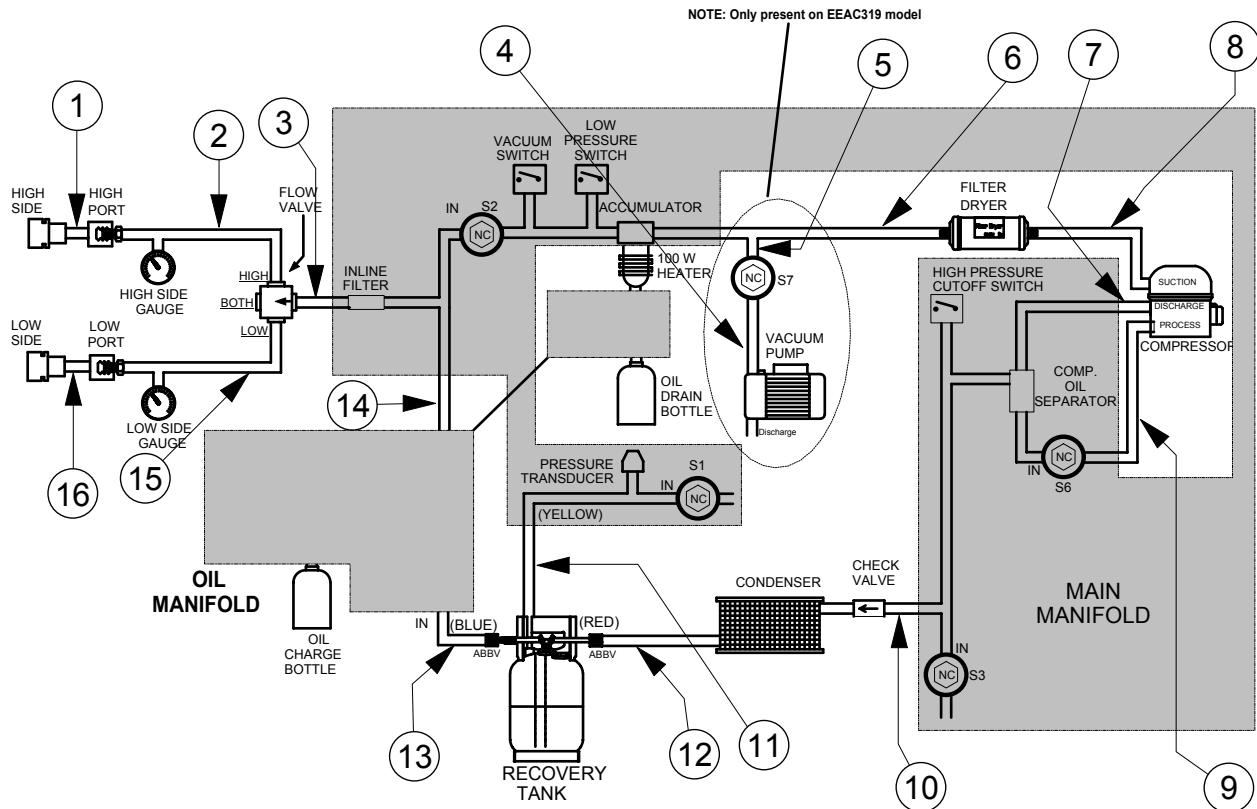
**MAIN MANIFOLD – EAA0289L01A**

ITEM	DESCRIPTION	PART NUMBER
1	Solenoid Assembly (S1)	2-11037A
1a	Plunger (S1)	2-11637A
1b	O-Ring (S1)	8-6214
1c	Coil (S1)	2-10537A
2	Oil Separator	1-3385
3	Solenoid Assembly (S6)	2-11237A
3a	Plunger (S6)	2-11637A
3b	O-Ring (S6)	8-6214
3c	Coil (S6)	2-10537A
4	Switch, High Pressure	1-13881
5	Solenoid Assembly (S3)	2-11137A
5a	Plunger (S3)	2-11637A
5b	O-Ring (S3)	8-6214
5c	Coil (S3)	2-10637A
6	Switch, Low Pressure	1-17681A
7	Switch, Vacuum	1-14281
8	Solenoid Assembly (S2)	2-11537A
8a	Plunger (S2)	2-11737A
8b	O-Ring (S2)	8-08114A
8c	Coil (S2)	2-10737A
9	Transducer, Pressure	2-19966

**OIL MANIFOLD – EAA0289L02A**

ITEM	DESCRIPTION	PART NUMBER
10	Solenoid Assembly (S5)	2-11437A
10a	Plunger (S5)	2-11637A
10b	O-Ring (S5)	8-6214
10c	Coil (S5)	2-10537A
11	Solenoid Assembly (S4)	2-11337A
11a	Plunger (S4)	2-11637A
11b	O-Ring (S4)	8-6214
11c	Coil (S4)	2-10437A
12	Valve, Toggle (w/check)	1-21981A
13	Fitting, 1/8 NPT x 9/16-24	1-35880A

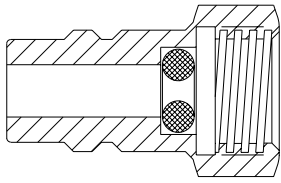
# HOSES AND TUBES DIAGRAM



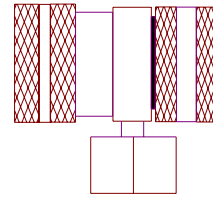
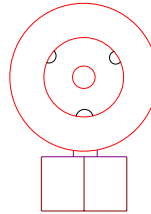
ITEM	DESCRIPTION	PART NUMBER
1a	Hose, red, Service, high side, 96"	EAH0001C01A
1b	Adapter, Service, high side	1-27180
2	Hose Assembly, High Side Tee	EAH0042L01A
3	Hose, yellow, Flow Valve - Main Manifold	EAH0042L05A
4	Hose, blue, Solenoid – Vacuum Pump ( <b>319 only</b> )	EAH0040L02A
5	Tube Assembly, Vacuum Pump Tee ( <b>319 only</b> )	EAH0042L11A
6a	Hose, blue, w/Orifice ( <b>319 hose</b> )	EAH0042L13A
6b	Hose, blue, w/Orifice ( <b>320 hose</b> )	EAH0042L04A
7	Tube, Compressor – Main Manifold (Separator)	EAH0042L07A
8	Hose, blue, Compressor to Filter/Drier	EAH0040L24A
9	Tube, Compressor Oil Return	EAH0042L06A
10	Tube Assembly, 3-Way	EAH0042L08A
10a	Check Valve	1-16481A
11	Hose, yellow, Tank Purge	EAH0042L03A
12	Hose Assembly, red, Tank Vapor	EAA0275L30A
12a	Hose Only, red, Tank Vapor	EAH0040L04A
12b	Washer, Copper Crush	1-08479A
12c	Valve, Anti-Blowback	1-26280
13	Hose Assembly, blue, Tank Liquid	EAA0289L05A
13a	Hose Only, blue, Tank Liquid	EAH0042L02A
13b	Washer, Copper Crush	1-08479A
13c	Valve, Anti-Blowback	1-26280
14	Hose, yellow, w/Check Valve	EAH0042L12A
15	Hose Assembly, Low Side Tee	EAH0042L00A
16a	Hose, blue, Service, low side, 96"	EAH0040L22A
16b	Adapter, Service, low side	1-27280



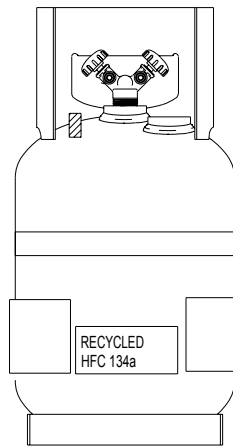
**ACCESSORIES**



1.



2.



3.

ITEM	DESCRIPTION	PART NUMBER
1	Adapter, virg.- low side	1-15080
2a	Adapter, Service, high	1-27180
2b	Adapter, Service, low	1-27280
3	Tank, Recovery	EAA0275L05A

## PARTS IN ALPHABETICAL ORDER

DESCRIPTION	PART NUMBER	COMMENTS
Adapter, Service, high side	1-27180	Page 6, item 1b
Adapter, Service, low side	1-27280	Page 6, item 16b
Adapter, virg.- low side	1-15080	Page 7, item 1
Beeper, w/harness	EAW0251L20A	Page 3, item 5
Board, Control, w/ display and buttons	EAP0228L00A	Page 2, item 4
Bottle, 8 oz. plastic	1-05585A	Page 2, item 11
Breaker, Thermal Overload	2-21166	Page 4, item 1c
Button Assembly only	EAC0072L00A	Page 2, item 4a
Cabinet, Plastic Top	EAC0072L03A *	Page 2, item 15a
Cabinet, Plastic Middle	EAC0072L02A *	Page 2, item 15b
Cabinet, Plastic Base	EAC0062L00A *	Page 2, item 15c
Cap, 8 oz. Bottle	1-08385A	Page 2, item 12
Capacitor, Start	2-1229	Page 4, item 1d
Caster, 4"	8-19839	Page 2, item 9
Coil (S1)	2-10537A	Page 5, item 1c, multiple uses
Coil (S2)	2-10737A	Page 5, item 8c
Coil (S3)	2-10637A	Page 5, item 5c
Coil (S4)	2-10437A	Page 5, item 11c, multiple uses
Coil (S5)	2-10537A	Page 5, item 10c, multiple uses
Coil (S6)	2-10537A	Page 5, item 3c, multiple uses
Coil (S7)	2-10437A	Page 4, item 3c, multiple uses
Compressor Assembly (complete)	EAA0289L06A	Page 4, item 1
Compressor w/ fittings only	EAA0025C01A	Page 4, item 1a
Condenser	2-03968A	Page 4, item 4a
Cord, Power	6-3421	Main AC Power
Fan	2-2568	Page 4, item 4b
Filter/Dryer	1-13481	Page 3, item 12
Fitting, 1/8 NPT x 9/16-24	1-35880A	Page 5, item 13
Fitting, Bulkhead	1-22180	Page 3, item 11
Gauge, High	8-04220A	Page 2, item 2
Gauge, Low	8-04320A	Page 2, item 1
Heater, 2"	2-1868	Page 4, item 6c
Hose Assembly, blue, Tank Liquid	EAA0289L05A	Page 6, item 13
Hose Assembly, High Side Tee	EAH0042L01A	Page 6, item 2
Hose Assembly, Low Side Tee	EAH0042L00A	Page 6, item 15
Hose Assembly, red, Tank Vapor	EAA0275L30A	Page 6, item 12
Hose Only, blue, Tank Liquid	EAH0042L02A	Page 6, item 13a
Hose Only, red, Tank Vapor	EAH0040L04A	Page 6, item 12a
Hose, blue, Compressor to Filter/Drier	EAH0040L24A	Page 6, item 8
Hose, blue, Service, low side, 96"	EAH0040L22A	Page 6, item 16a
Hose, blue, Solenoid – Vacuum Pump ( <b>319 only</b> )	EAH0040L02A	Page 6, item 4
Hose, blue, w/Orifice ( <b>319 hose</b> )	EAH0042L13A	Page 6, item 6a
Hose, blue, w/Orifice ( <b>320 hose</b> )	EAH0042L04A	Page 6, item 6b
Hose, Flow Valve - Main Manifold	EAH0042L05A	Page 6, item 3
Hose, Purge, yellow	EAH0042L03A	Page 3, item 14
Hose, red, Service, high side, 96"	EAH0001C01A	Page 6, item 1a
Hose, yellow, Tank Purge	EAH0042L03A	Page 6, item 11
Hose, yellow, w/Check Valve	EAH0042L12A	Page 6, item 14
Label, Caution	EAL0236C00A	Page 2, item 14
Label, Comp. Oil change	EAL0293L00A	Page 3, item 8
Label, Control Panel	EAL0368L00A	Page 2, item 5

<u>DESCRIPTION</u>	<u>PART NUMBER</u>	<u>COMMENTS</u>
Label, EquiServ	EAL0264C00A	Page 3, item 13
Label, Flow	EAL0360L02A	Page 3, item 15
Label, high (red)	EAL0358L04A	Page 3, item 10b
Label, low (blue)	EAL0358L05A	Page 3, item 10a
Label, Model	EAL0368L01A	Page 2, item 6
Label, Model	EAL0368L02A	Page 2, item 10
Label, U.L. 2210 spec.	EAL0304L00A	Page 3, item 9
Label, Vac. Pump(319 only)	EAL0288L01A	Page 2, item 13
Label, Warning	EAL0361L00A	Page 3, item 7
Load Cell	EAA0232L00A	Page 3, item 17
Manual, User's	ZEEAC319A	User's Guide
Oil Separator	1-3385	Page 5, item 2
O-Ring (S1)	8-6214	Page 5, item 1b, multiple uses
O-Ring (S2)	8-08114A	Page 5, item 8b
O-Ring (S3)	8-6214	Page 5, item 5b, multiple uses
O-Ring (S4)	8-6214	Page 5, item 11b, multiple uses
O-Ring (S5)	8-6214	Page 5, item 10b, multiple uses
O-Ring (S6)	8-6214	Page 5, item 3b, multiple uses
O-Ring (S7)	8-6214	Page 4, item 3b, multiple uses
O-ring, Accumulator	8-08014A	Page 4, item 6b
Plunger (S1)	2-11637A	Page 5, item 1a, multiple uses
Plunger (S2)	2-11737A	Page 5, item 8a
Plunger (S3)	2-11637A	Page 5, item 5a, multiple uses
Plunger (S4)	2-11637A	Page 5, item 11a, multiple uses
Plunger (S5)	2-11637A	Page 5, item 10a, multiple uses
Plunger (S6)	2-11637A	Page 5, item 3a, multiple uses
Plunger (S7)	2-11637A	Page 4, item 3a, multiple uses
Probe, Temperature	EAA0223L19A	Page 3, item 16b
Pump, Vacuum ( <b>319 only</b> )	EAA0275L18A	Page 3, item 4
Relay, Compressor start	2-7437	Page 4, item 1b
Separator (Accumulator)	1-08185A	Page 4, item 6a
Solenoid Assembly (S1)	2-11037A	Page 5, item 1
Solenoid Assembly (S2)	2-11537A	Page 5, item 8
Solenoid Assembly (S3)	2-11137A	Page 5, item 5
Solenoid Assembly (S4)	2-11337A	Page 5, item 11
Solenoid Assembly (S5)	2-11437A	Page 5, item 10
Solenoid Assembly (S6)	2-11237A	Page 5, item 3
Solenoid Assembly (S7)	2-09637A	Page 4, item 3
Strap, w/Buckle	5-09226A	Page 3, item 1
Strap, w/Velcro	5-09626A	Page 3, item 16a
Switch, High Pressure	1-13881	Page 5, item 4
Switch, Low Pressure	1-17681A	Page 5, item 6
Switch, Power	2-12358A	Page 3, item 6
Switch, Vacuum	1-14281	Page 5, item 7
Tank, Recovery	EAA0275L05A	Page 7, item 3
Transducer, Pressure	2-19966	Page 5, item 9
Transformer	7-14901A	Page 4, item 2
Tube Assembly, 3-Way	EAH0042L08A	Page 6, item 10
Tube Assembly, Vacuum Pump Tee ( <b>319 only</b> )	EAH0042L11A	Page 6, item 5
Tube, Compressor – Main Manifold (Separator)	EAH0042L07A	Page 6, item 7
Tube, Compressor Oil Return	EAH0042L06A	Page 6, item 9
Valve, Anti-Blowback	1-26280	Used at tank hose ends
Valve, Check, Condenser	1-16481A	Page 10, item 10a
Valve, Flow	EAA0289L00A	Page 2, item 3
Valve, Toggle (w/check)	1-21981A	Page 2, item 7

**EEAC319/320 PARTS REFERENCE**

---

**DESCRIPTION**

**PART NUMBER**

**COMMENTS**

Washer, Copper Crush  
Wheel, 7"

1-08479A  
8-22239A

Used with Anti-Blowback Valves  
Page 2, item 8

## PARTS IN NUMERICAL ORDER

<b>PART NUMBER</b>	<b>DESCRIPTION</b>	<b>COMMENTS</b>
1-05585A	Bottle, 8 oz. plastic	Page 2, item 11
1-08185A	Separator (Accumulator)	Page 4, item 6a
1-08385A	Cap, 8 oz. Bottle	Page 2, item 12
1-08479A	Washer, Copper Crush	Used with Anti-Blowback Valves
1-13481	Filter/Dryer	Page 3, item 12
1-13881	Switch, High Pressure	Page 5, item 4
1-14281	Switch, Vacuum	Page 5, item 7
1-15080	Adapter, virg.- low side	Page 7, item 1
1-16481A	Valve, Check, Condenser	Page 10, item 10a
1-17681A	Switch, Low Pressure	Page 5, item 6
1-21981A	Valve, Toggle (w/check)	Page 2, item 7
1-22180	Fitting, Bulkhead	Page 3, item 11
1-26280	Valve, Anti-Blowback	Used at tank hose ends
1-27180	Adapter, Service, high side	Page 6, item 1b
1-27280	Adapter, Service, low side	Page 6, item 16b
1-3385	Oil Separator	Page 5, item 2
1-35880A	Fitting, 1/8 NPT x 9/16-24	Page 5, item 13
2-03968A	Condenser	Page 4, item 4a
2-09637A	Solenoid Assembly (S7)	Page 4, item 3
2-10437A	Coil (S4)	Page 5, item 11c, multiple uses
2-10437A	Coil (S7)	Page 4, item 3c, multiple uses
2-10537A	Coil (S1)	Page 5, item 1c, multiple uses
2-10537A	Coil (S5)	Page 5, item 10c, multiple uses
2-10537A	Coil (S6)	Page 5, item 3c, multiple uses
2-10637A	Coil (S3)	Page 5, item 5c
2-10737A	Coil (S2)	Page 5, item 8c
2-11037A	Solenoid Assembly (S1)	Page 5, item 1
2-11137A	Solenoid Assembly (S3)	Page 5, item 5
2-11237A	Solenoid Assembly (S6)	Page 5, item 3
2-11337A	Solenoid Assembly (S4)	Page 5, item 11
2-11437A	Solenoid Assembly (S5)	Page 5, item 10
2-11537A	Solenoid Assembly (S2)	Page 5, item 8
2-11637A	Plunger (S1)	Page 5, item 1a, multiple uses
2-11637A	Plunger (S3)	Page 5, item 5a, multiple uses
2-11637A	Plunger (S4)	Page 5, item 11a, multiple uses
2-11637A	Plunger (S5)	Page 5, item 10a, multiple uses
2-11637A	Plunger (S6)	Page 5, item 3a, multiple uses
2-11637A	Plunger (S7)	Page 4, item 3a, multiple uses
2-11737A	Plunger (S2)	Page 5, item 8a
2-1229	Capacitor, Start	Page 4, item 1d
2-12358A	Switch, Power	Page 3, item 6
2-1868	Heater, 2"	Page 4, item 6c
2-19966	Transducer, Pressure	Page 5, item 9
2-21166	Breaker, Thermal Overload	Page 4, item 1c
2-2568	Fan	Page 4, item 4b
2-7437	Relay, Compressor start	Page 4, item 1b
5-09226A	Strap, w/Buckle	Page 3, item 1
5-09626A	Strap, w/Velcro	Page 3, item 16a
6-3421	Cord, Power	Main AC Power
7-14901A	Transformer	Page 4, item 2
8-04220A	Gauge, High	Page 2, item 2
8-04320A	Gauge, Low	Page 2, item 1
8-08014A	O-ring, Accumulator	Page 4, item 6b
8-08114A	O-Ring (S2)	Page 5, item 8b

**EEAC319/320 PARTS REFERENCE**

<b>PART NUMBER</b>	<b>DESCRIPTION</b>	<b>COMMENTS</b>
8-19839	Caster, 4"	Page 2, item 9
8-22239A	Wheel, 7"	Page 2, item 8
8-6214	O-Ring (S1)	Page 5, item 1b, multiple uses
8-6214	O-Ring (S3)	Page 5, item 5b, multiple uses
8-6214	O-Ring (S4)	Page 5, item 11b, multiple uses
8-6214	O-Ring (S5)	Page 5, item 10b, multiple uses
8-6214	O-Ring (S6)	Page 5, item 3b, multiple uses
8-6214	O-Ring (S7)	Page 4, item 3b, multiple uses
EAA0025C01A	Compressor w/ fittings only	Page 4, item 1a
EAA0223L19A	Probe, Temperature	Page 3, item 16b
EAA0232L00A	Load Cell	Page 3, item 17
EAA0275L05A	Tank, Recovery	Page 7, item 3
EAA0275L18A	Pump, Vacuum ( <b>319 only</b> )	Page 3, item 4
EAA0275L30A	Hose Assembly, red, Tank Vapor	Page 6, item 12
EAA0289L00A	Valve, Flow	Page 2, item 3
EAA0289L05A	Hose Assembly, blue, Tank Liquid	Page 6, item 13
EAA0289L06A	Compressor Assembly (complete)	Page 4, item 1
EAC0072L00A	Button Assembly only	Page 2, item 4a
EAC0072L03A *	Cabinet, Plastic Top	Page 2, item 15a
EAC0072L02A *	Cabinet, Plastic Middle	Page 2, item 15b
EAC0062L00A *	Cabinet, Plastic Base	Page 2, item 15c
EAH0001C01A	Hose, red, Service, high side, 96"	Page 6, item 1a
EAH0040L02A	Hose, blue, Solenoid – Vacuum Pump ( <b>319 only</b> )	Page 6, item 4
EAH0040L04A	Hose Only, red, Tank Vapor	Page 6, item 12a
EAH0040L22A	Hose, blue, Service, low side, 96"	Page 6, item 16a
EAH0040L24A	Hose, blue, Compressor to Filter/Drier	Page 6, item 8
EAH0042L00A	Hose Assembly, Low Side Tee	Page 6, item 15
EAH0042L01A	Hose Assembly, High Side Tee	Page 6, item 2
EAH0042L02A	Hose Only, blue, Tank Liquid	Page 6, item 13a
EAH0042L03A	Hose, Purge, yellow	Page 3, item 14
EAH0042L03A	Hose, yellow, Tank Purge	Page 6, item 11
EAH0042L04A	Hose, blue, w/Orifice ( <b>320 hose</b> )	Page 6, item 6b
EAH0042L05A	Hose, Flow Valve - Main Manifold	Page 6, item 3
EAH0042L06A	Tube, Compressor Oil Return	Page 6, item 9
EAH0042L07A	Tube, Compressor – Main Manifold (Separator)	Page 6, item 7
EAH0042L08A	Tube Assembly, 3-Way	Page 6, item 10
EAH0042L11A	Tube Assembly, Vacuum Pump Tee ( <b>319 only</b> )	Page 6, item 5
EAH0042L12A	Hose, yellow, w/Check Valve	Page 6, item 14
EAH0042L13A	Hose, blue, w/Orifice ( <b>319 hose</b> )	Page 6, item 6a
EAL0236C00A	Label, Caution	Page 2, item 14
EAL0264C00A	Label, EquiServ	Page 3, item 13
EAL0288L01A	Label, Vac. Pump(319 only)	Page 2, item 13
EAL0293L00A	Label, Comp. Oil change	Page 3, item 8
EAL0304L00A	Label, U.L. 2210 spec.	Page 3, item 9
EAL0358L04A	Label, high (red)	Page 3, item 10b
EAL0358L05A	Label, low (blue)	Page 3, item 10a
EAL0360L02A	Label, Flow	Page 3, item 15
EAL0361L00A	Label, Warning	Page 3, item 7
EAL0368L00A	Label, Control Panel	Page 2, item 5
EAL0368L01A	Label, Model	Page 2, item 6
EAL0368L02A	Label, Model	Page 2, item 10
EAP0228L00A	Board, Control, w/ display and buttons	Page 2, item 4
EAW0251L20A	Beeper, w/harness	Page 3, item 5
ZEEAC319A	Manual, User's	User's Guide

**WIRING HARNESSES**

<b><u>PART NUMBER</u></b>	<b><u>DESCRIPTION</u></b>	<b><u>COMMENTS</u></b>
EAW0251L20A	Wire Harness, Beeper	
EAW0256L00A	Wire Harness, Main	
EAW0256L01A	Wire Harness, Fan	
EAW0256L03A	Wire Harness, Switch	
EAW0256L04A	Wire Harness, Transformer	
EAW0256L05A	Wire Harness, Solenoids power	
EAW0256L06A	Wire Harness, Transducer	







EQUIPMENT SERVICE ON SITE



355 Exchange Ave.  
Conway, AR 72032