

EQUIPMENT SERVICE ON SITE



AT DIAGNOSTIC

EEAC720A

PARTS REFERENCE MANUAL



November, 2004

All information contained or disclosed in this document is considered confidential and proprietary by Snap-on Tools Company. All manufacturing, use, reproduction, and sales rights are reserved by Snap-on Tools Company and the information contained herein shall not be used in whole or in part without the express written consent of Snap-on Tools Company.

PARTS

GENERAL

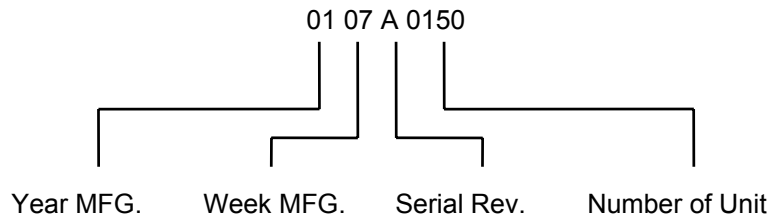
EEAC720A (AT)

This document describes assemblies/subassemblies/parts considered replaceable at on-site field installation.

NOTE: *The following is a breakdown description of the Serial Number.*

Serial # Location - Back.

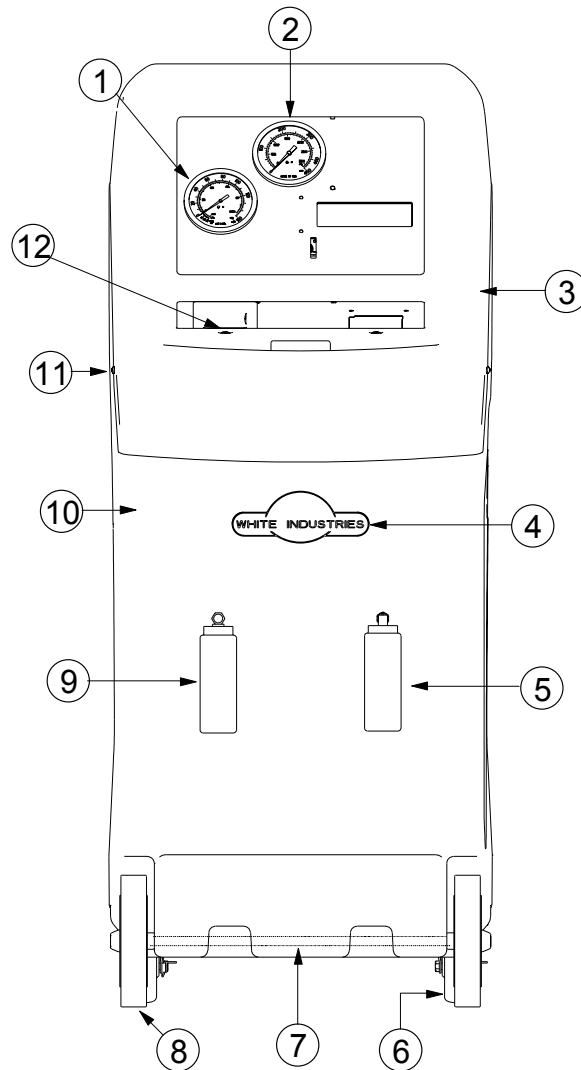
Example:



NS: NOT SHOWN IN PICTORIAL

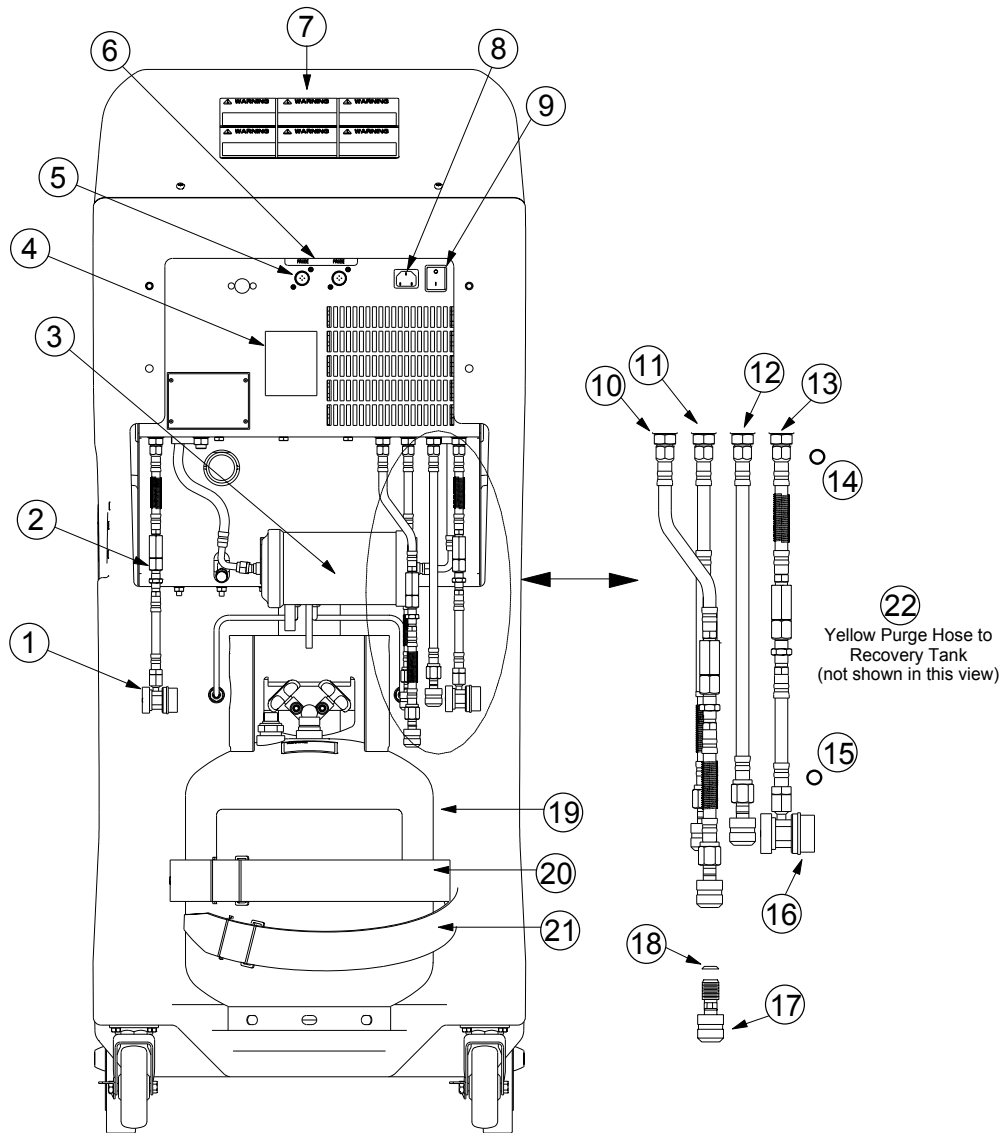
PARTS BY PICTORIAL

FRONT VIEW



ITEM	DESCRIPTION	PART NUMBER	ITEM	DESCRIPTION	PART NUMBER
1	Gauge, Low	8-04620A	6	Caster, 4", w/Brake	8-19739
2	Gauge, High	8-04720A	7	Axle, 1/2"	1-3684A
3	Cabinet, Upper Shroud	EAC0067L01A	8	Wheel, 7"	8-22239A
4	Label, WHITE	EAL0322L04A	9	Bottle Assembly, Oil	EAA0253L48A
5	Bottle Assembly, Purge	EAA0253L47A	9a	Bottle, 8 Oz.	1-885
5a	Bottle, 8 Oz.	1-885	9b	Tube, in bottle	EAH0034L60A
5b	Nut, 1/2" - 20	1-1034	9c	Cap, Bottle	1-985
5c	Washer, Lock	1-2747	9d	Button Assembly	2-5337
5d	Cap, Bottle	1-985	9e	Fitting, Bulkhead	1-29480A
5e	Fitting, 90° Elbow	1-17580	10	Cabinet, Main	EAC0067L00A
5f	Fitting, Coupling	1-9880	11	Screw, Pan Head	1-09726A
5g	Fitting, Bulkhead	1-29480A	12	Screw, Oval Head	1-02705A

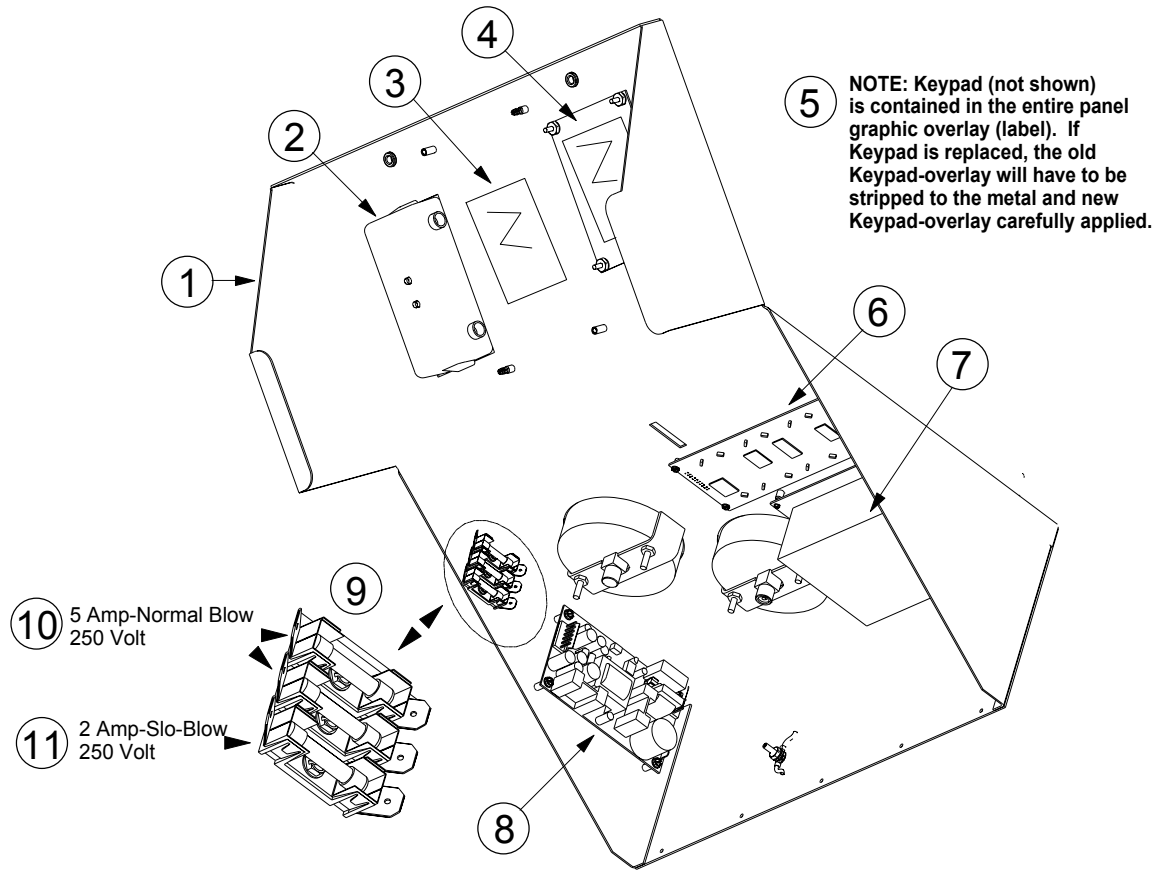
BACK VIEW



NOTE TANK HOSE ASSEMBLIES COME WITH ANTI-BLOWBACK VALVES.

ITEM	DESCRIPTION	PART NUMBER	ITEM	DESCRIPTION	PART NUMBER
1	Adapter, High, red	1-27180	13	Hose, Vehicle Low	EAH0033L67A
2	Hose, Vehicle High	EAH0033L69A	14	O-ring, hose-unit	8-6114
3	Filter, Master	1-9881	15	O-ring, hose-adapter	8-6214
4	Label, EquiServ	EAL0264C00A	16	Adapter, Low, Blue	1-27280
5	Harness Assy, Input	EAW0209L37A	17	Valve, Anti-blowback	1-26280
6	Label, Probe	EAL0357L20A	18	Washer, Copper	1-08479A
7	Label, Warning	EAL0357L30A	19	Tank, Recovery	1-04785A
8	Socket, Power	2-18147A	20a	Strap, Rec. Tank	5-09626A
9	Switch, Power	2-12358A	20b	Strap, Rec. Tank-buckle	5-09426A
10	Hose, Virgin Tank	EAH0033L91A	21a	Strap, Vir. Tank	5-10026A
11	Hose, Rec. Tank, Liquid	EAH0033L95A	21b	Strap, Vir. Tank-buckle	5-09226A
12	Hose, Rec. Tank, Vapor	EAH0033L93A	22	Hose, Rec. Tank Purge	EAH0033L86A
			NS	Filter, Inline Hose	EAK0218L33A

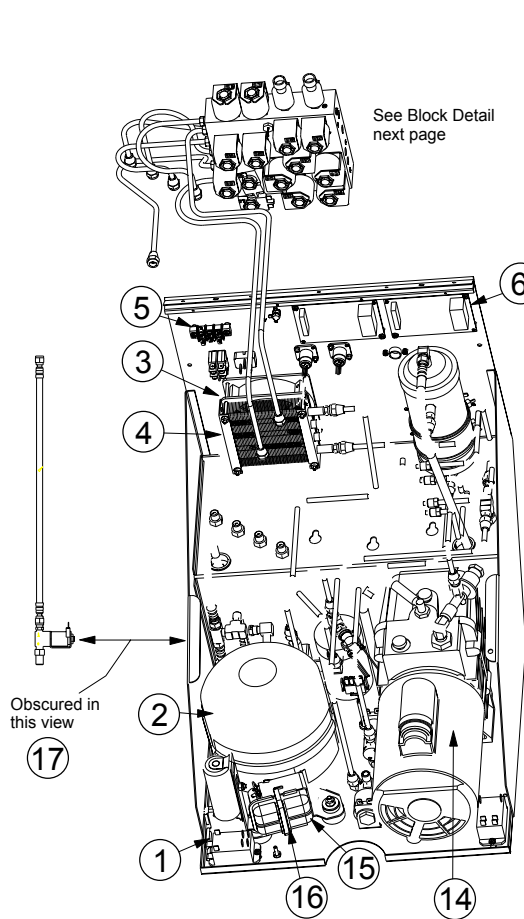
CONTROL PANEL



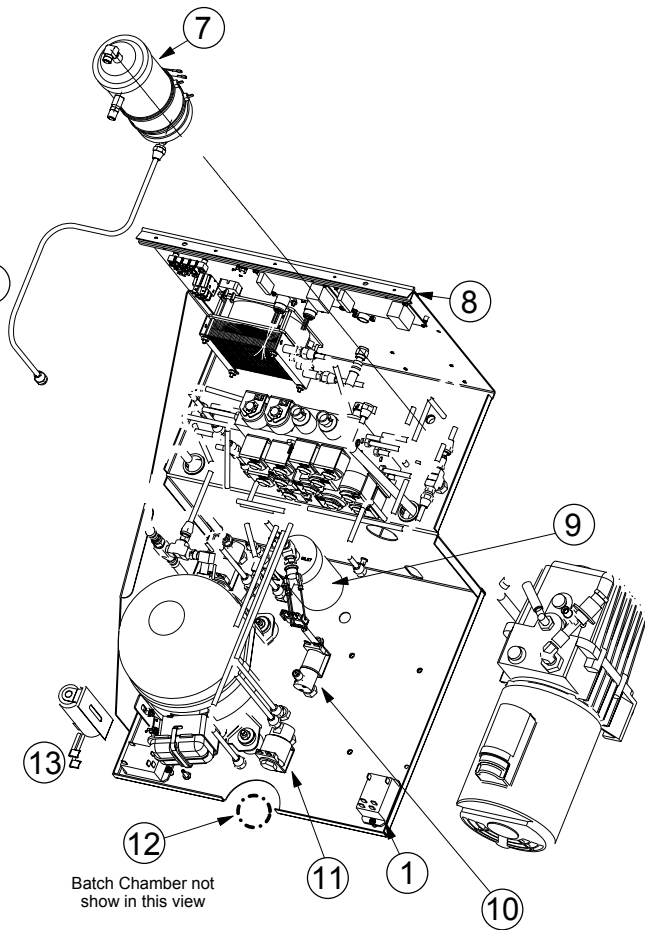
ITEM	DESCRIPTION	PART NUMBER	ITEM	DESCRIPTION	PART NUMBER
1	Frame, Control Face	EAS2006L03A	5	Keypad-overlay	EAL0357L00A
2a	Filter Pocket	EAC0064L03A	6	Board, Display	EAA0253L52A
2b	Plug, Pocket hole, small	1-1676	7	Board, Control	EAP0219L10C
2c	Plug, Pocket hole, large	1-1976	8	Power Supply	EAP0225L00A
3	Identifier Assy (optional)	1-18581A	9	Block, Fuse	2-10951
4	Printer Assy (optional)	EAA0253L54A	10	Fuse, 5 Amp	2-251
4a	Paper, thermal printer	8-00910A	11	Fuse, 2 Amp	2-7651

PLUMBING SHELF

View 1

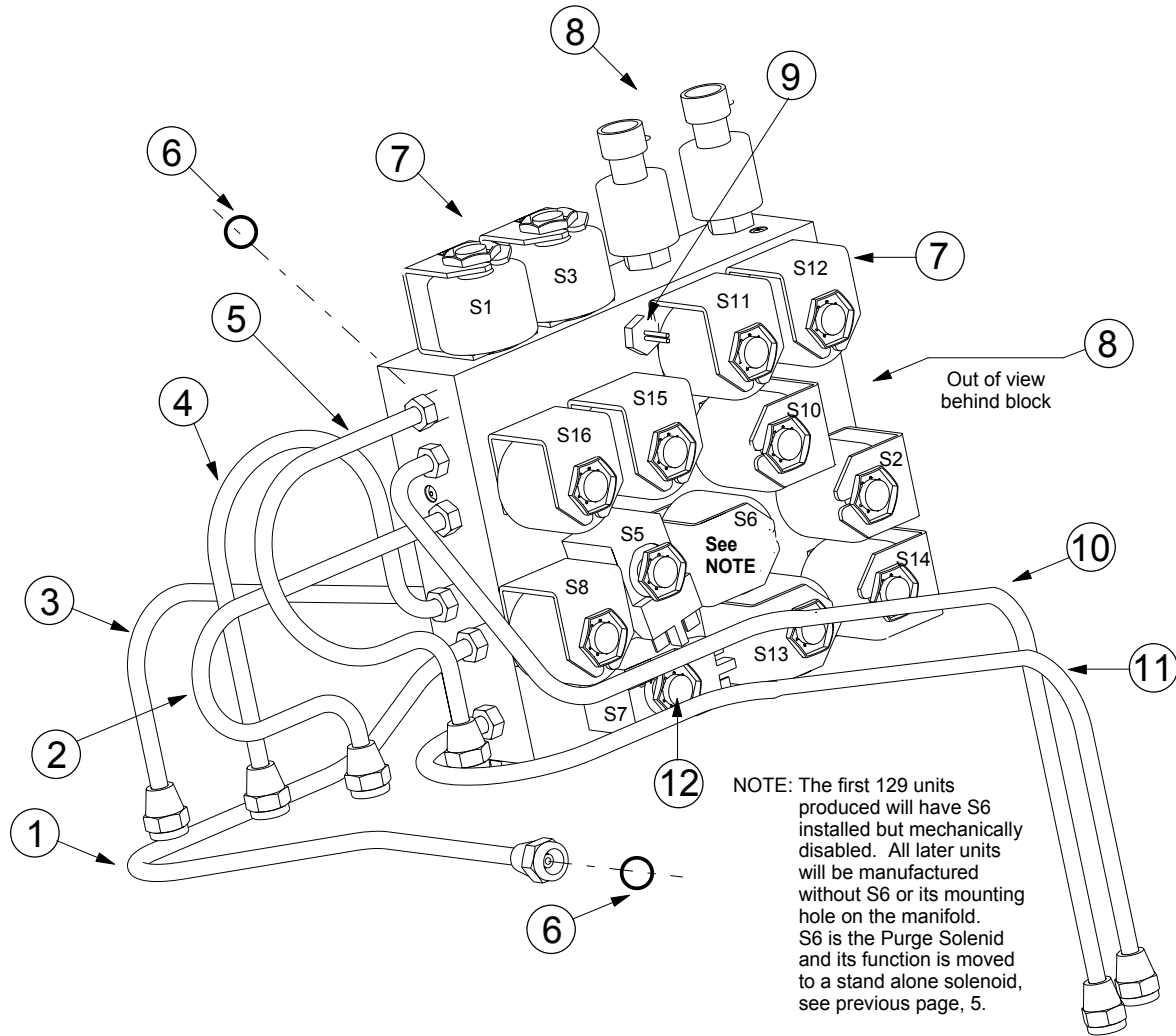


View 2



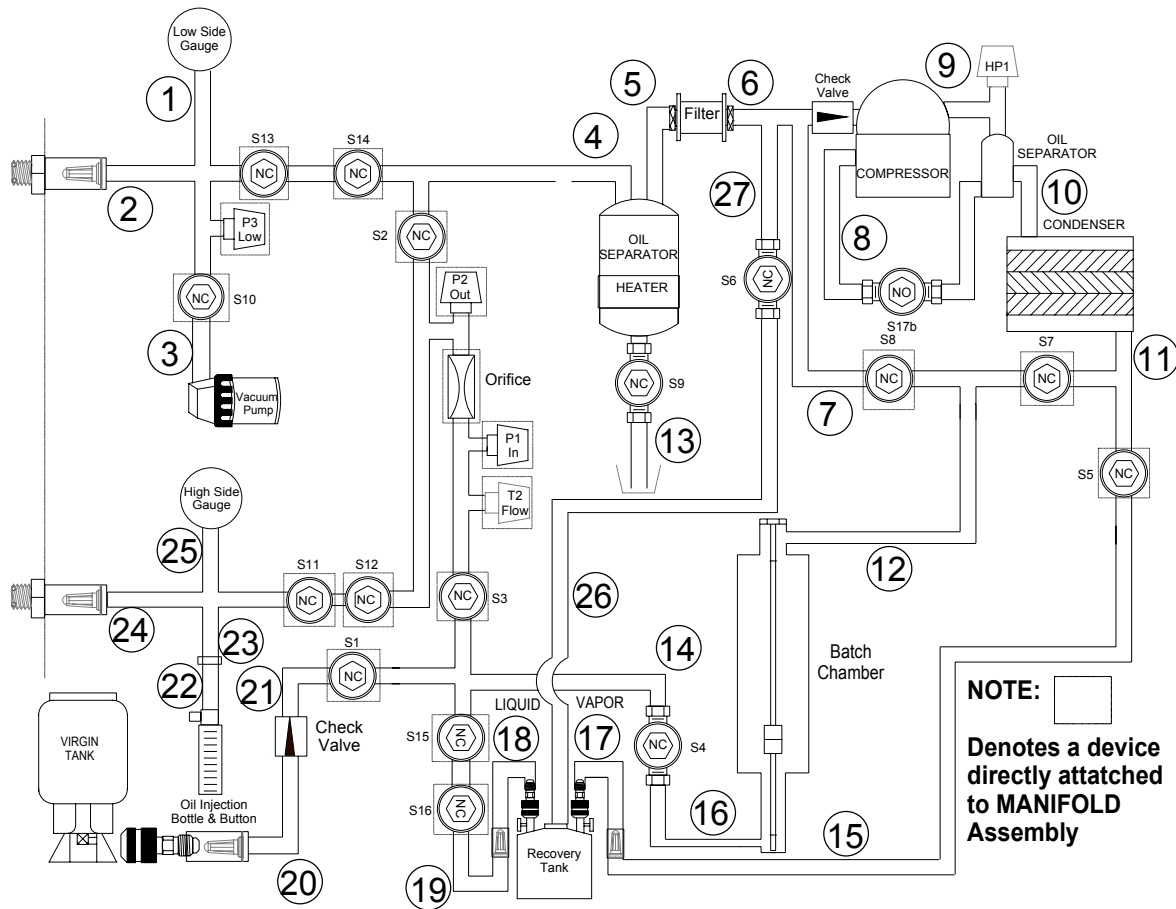
ITEM	DESCRIPTION	PART NUMBER	ITEM	DESCRIPTION	PART NUMBER
1	Relay	2-4837	10	Solenoid, Air/Oil Purge (S9)	2-5837
2a	Compressor, w/soldered fittings	EAA0253L49A	11	Solenoid, Chamber Liquid (S4)	2-5637
2b	Klixon, overload breaker	2-21166	12a	Batch Chamber Assy, shell assy. only, see item 12b	EAA0253L41A
2c	Relay, Compressor	2-7437	12b	Float Switch Assembly	1-16181A
3	Fan	2-2568	13	Capacitor, Start	2-1229
4	Condenser	2-2168	14	Pump, Vacuum, 1.5 CFM	1-18681A
5	Block, Terminal	2-48504A	15	Cover, Terminal	1-3485
6	Board, Driver	EAP0219L20A	16	Strap, Cover	2-7157
7	Separator, Vehicle Oil	EAA0253L42A	17	Purge Solenoid Assembly	EAA0253L63A
7a	Heater Blanket only	2-1868	17a	Solenoid, 1/32" Purge Valve	2-10237A
8	Hinge	8-23736A	17b	Hose, internal	EAH0033L87A
9	Separator Assy, Comp. Oil	EAA0253L43A	17c	Fitting, threaded	1-26380
9a	Solenoid, Oil Return (S17b)	2-5437	17d	Fitting, Bulkhead	1-18480A
9b	Switch, High Pressure	1-13881	17e	O-Ring	8-6414
9c	Separator, Sep. Body only	1-1385			

SOLENOID BLOCK ASSEMBLY (EAA0253L55A)



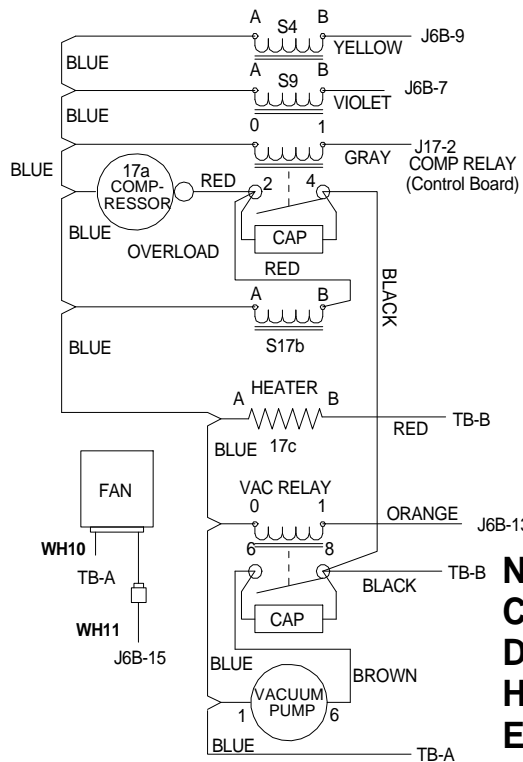
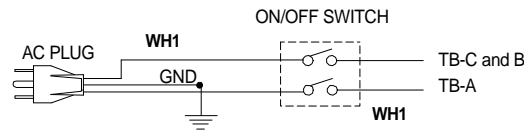
ITEM	DESCRIPTION	PART NUMBER	ITEM	DESCRIPTION	PART NUMBER
1	Tube, Compressor suction	EAH0034L78A	8	Transducer, Pressure	2-19966
2	Tube, Recycled liquid	EAH0034L72A	9	Sensor, Temperature	1-7081
3	Tube, Vehicle low	EAH0034L80A	10	Tube, Block – S4	EAH0034L75A
4	Tube, Recycled vapor	EAH0034L74A	11	Tube, Block - Batch	EAH0034L77A
5	Tube, Virgin liquid	EAH0034L71A	12a	Solenoid Kit (Plunger, O-Ring, Spring and Wrench):: S5 and S7	EAK0218L28A
6	O-Ring	8-6414	12b	Solenoid Coil: S5 and S7	EAK0218L30A
7a	Solenoid Kit (Plunger, O-Ring, Spring and Wrench): S1, S2, S3, S8, S10, S11, S12, S13, S14, S15, S16 (Also see Item 12)	EAK0218L27A			
7b	Solenoid Coil: S1, S2, S3, S8, S10, S11, S12, S13, S14, S15, S16 (Also see Item 12)	EAK0218L29A			

HOSE / TUBE DIAGRAM

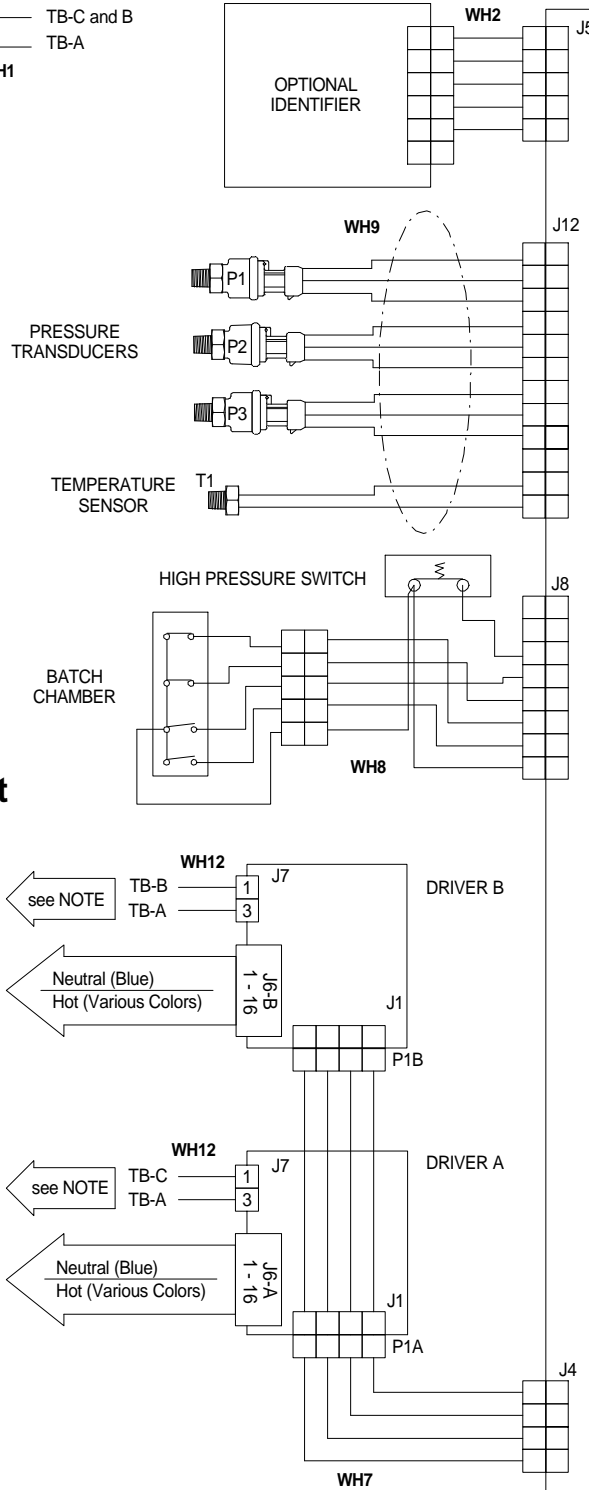
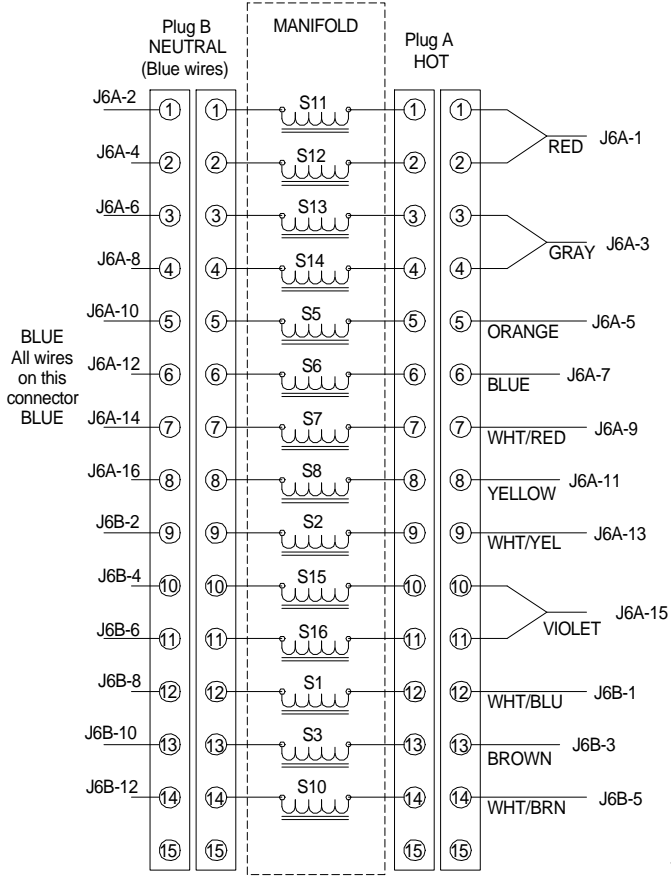


ITEM	DESCRIPTION	PART NUMBER	ITEM	DESCRIPTION	PART NUMBER
1	Tube, Low Side Gauge	EAH0034L82A	16	Hose, Batch bottom	EAH0033L85A
2	Tube, Vehicle low	EAH0034L80A	17	Hose, Tank Vapor	EAH0033L93A
3	Tube, Vacuum Pump	EAH0034L81A	18	Hose, Tank Liquid	EAH0033L95A
4	Tube, Oil Sep. Top	EAH0034L56A	19	Tube, Recycled Liquid	EAH0034L72A
5	Hose, Sec. Sep - Filter	EAH0034L89A	20	Hose, Virgin	EAH0033L91A
6	Hose, Filter – Comp.	EAH0034L90A	21	Tube, Virgin liquid	EAH0034L71A
7	Tube, Compressor Suc.	EAH0034L78A	22	Tube, Oil Bottle, Bulkhd.	EAH0034L87A
8	Tube, Oil Sep. – Comp.	EAH0034L92A	23	Tube, Oil - Tee	EAH0034L86A
9	Tube, Comp. – Oil Sep.	EAH0034L91A	24	Hose, Block - High Side	EAH0034L79A
10	Tube, Oil Sep. – Cond.	EAH0034L88A	25	Tube, High Side Gauge	EAH0034L82A
11	Tube, Cond. - Block	EAH0034L76A	26	Hose, Purge, Tank	EAH0033L86A
12	Tube, Block - Batch	EAH0034L77A	27	Tube, Purge, internal	EAH0033L87A
13	Tube, Oil Sep. drain	EAH0034L85A	NS	Hose, High Side - Car	EAH0033L69A
14	Tube, Block – S4	EAH0034L75A	NS	Hose, Low Side - Car	EAH0033L67A
15	Tube, Recycled vapor	EAH0034L74A			

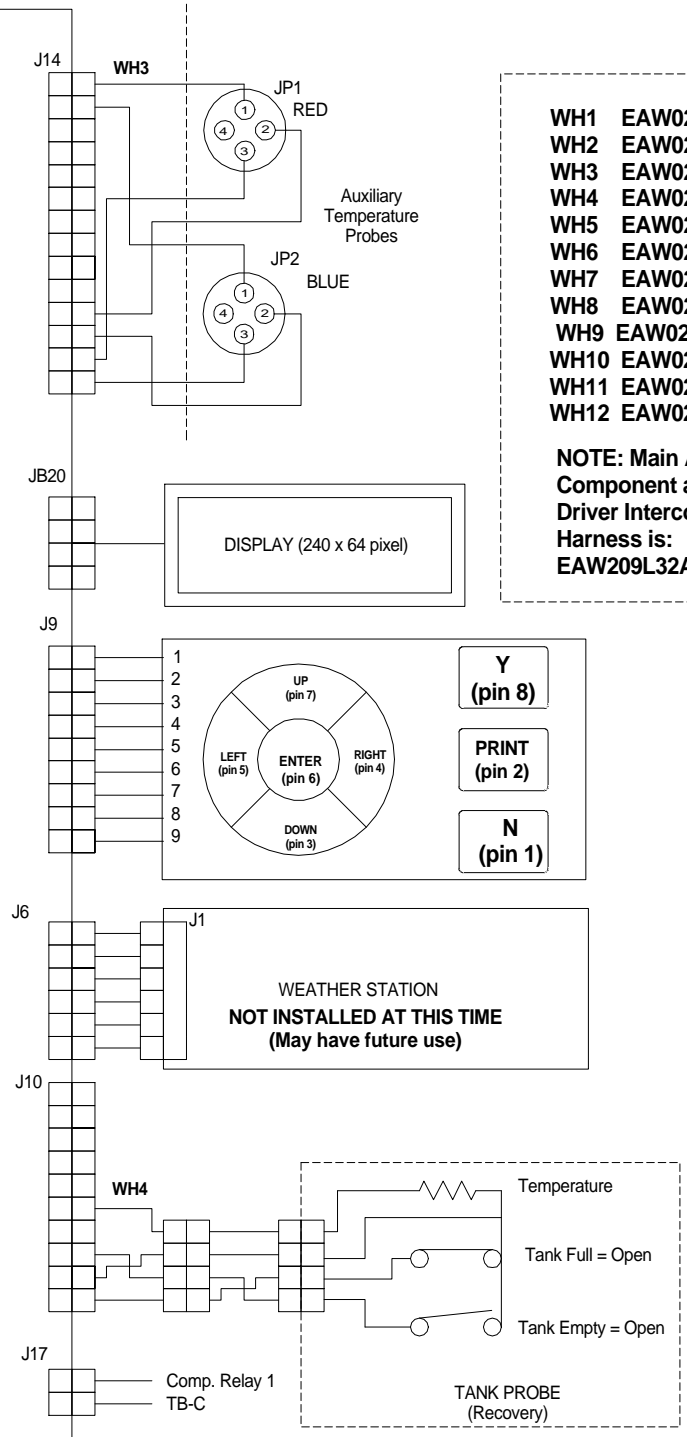
All information contained or disclosed in this document is considered confidential and proprietary by Snap-on Tools. All manufacturing, use, reproduction and sales rights are reserved by Snap-on Tools and the information contained herein shall not be used in whole or in part without the express written consent of Snap-on Tools.



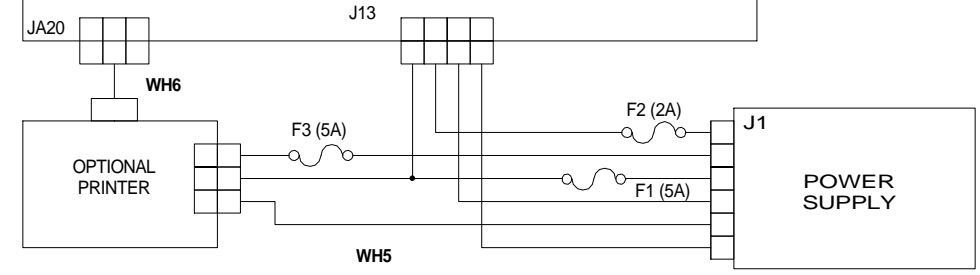
NOTE: Main A.C. Component and Driver Interconnect Harness is: EAW209L32A



CONTROL BOARD



- WH1 EAW0209L27A
 - WH2 EAW0209L21A
 - WH3 EAW0209L37A
 - WH4 EAW0209L26A
 - WH5 EAW0209L34A
 - WH6 EAW0209L18A
 - WH7 EAW0209L28A
 - WH8 EAW0209L22A
 - WH9 EAW0209L24A
 - WH10 EAW0209L30A
 - WH11 EAW0209L35A
 - WH12 EAW0209L29A
- NOTE: Main A.C. Component and Driver Interconnect Harness is: EAW209L32A**



EQUIPMENT SERVICE ON SITE EquiServ Providing Factory Service For Automotive Service Equipment		EquiServ 355 Exchange Ave. Conway, AR 72032	
MODEL: EEAC720A	REV: 03/2002 REV A.	DWG BY: John Sparks	CHK BY: James Miller
MOD BY:	CHK BY:	TITLE: Wiring Harness Interconnection	
DWG: P-R 1	PAGE: 9/10		

ACCESSORIES

DESCRIPTION	PART NUMBER	DESCRIPTION	PART NUMBER
Handle	8-08933A	Hanger, Hose	EAC0067L02A
Adapter, Low Side	1-15080	Manual, Installation / Operation	ZEEAC720A
Cord, Power	6-04121A		

PARTS IN ALPHABETICAL ORDER

DESCRIPTION	PART NUMBER	COMMENTS
Adapter, High, red	1-27180	Vehicle Adapter, high side
Adapter, Low Side	1-15080	Connects to a new virgin tank for low side quick coupler
Adapter, Low, Blue	1-27280	Vehicle Adapter, low side
Axle, ½"	1-3684A	Axle for 7" Wheels
Batch Chamber Assy, shell assy. only, see item 1-16181A	EAA0253L41A	Batch Chamber with fittings and hose, NO Float Switch Assembly (see item 1-16181A)
Block, Fuse	2-10951	Holds fuses and connectors
Block, Terminal	2-48504A	AC power terminal block
Board, Control	EAP0219L10C	Main Control Board
Board, Display	EAA0253L52A	Alphanumeric Display and control electronics
Board, Driver	EAP0219L20A	Controls power to Solenoids
Bottle Assembly, Oil	EAA0253L48A	Complete assembly with fittings
Bottle Assembly, Purge	EAA0253L47A	Complete assembly with fittings
Bottle, 8 Oz.	1-885	Part of EAA0253L47A
Bottle, 8 Oz.	1-885	Part of EAA0253L48A
Button Assembly	2-5337	Part of EAA0253L48A
Cabinet, Main	EAC0067L00A	Lower section
Cabinet, Upper Shroud	EAC0067L01A	Black Plastic
Cap, Bottle	1-985	Part of EAA0253L47A
Cap, Bottle	1-985	Part of EAA0253L48A
Capacitor, Start	2-1229	Used to boost starting sequence of compressor
Caster, 4", w/Brake	8-19739	Caster with Brake
Compressor, w/soldered fittings	EAA0253L49A	With soldered fittings, but no other plumbing fittings
Condenser	2-2168	Condenser
Cord, Power	6-04121A	AC Power Cord
Cover, Terminal	1-3485	Plastic electrical cover for Compressor
Fan	2-2568	Used for Condenser
Filter Pocket	EAC0064L03A	Plastic Filter Pocket
Filter, Master	1-9881	Filter / Dryer, user replaceable
Fitting, 90° Elbow	1-17580	Part of EAA0253L47A
Fitting, Bulkhead	1-18480A	Pneumatic brass, fitting for bulkhead pass-through
Fitting, Bulkhead	1-29480A	Part of EAA0253L47A
Fitting, Bulkhead	1-29480A	Part of EAA0253L48A
Fitting, Coupling	1-9880	Part of EAA0253L47A
Fitting, threaded	1-26380	Pneumatic brass, threaded fitting, 1/8" – ¼"
Float Switch Assembly	1-16181A	Float Switch Assembly for Batch Chamber EAA0253L41A
Frame, Control Face	EAS2006L03A	Bare metal Control Panel Assembly w/studs
Fuse, 2 Amp	2-7651	Used for F2; slow blow, 250 volts arc gap
Fuse, 5 Amp	2-251	Used for F1 and F3; normal blow, 250 volts arc gap

EEAC720 PARTS

DESCRIPTION	PART NUMBER	COMMENTS
Gauge, High	8-04720A	Pressure Gauge
Gauge, Low	8-04620A	Pressure / Vacuum Gauge
Handle	8-08933A	Unit handle
Hanger, Hose	EAC0067L02A	For hanging hoses on
Harness Assy, Input	EAW0209L37A	Connectors and wiring harness
Heater Blanket only	2-1868	Heater for Vehicle Oil Separator
Hinge	8-23736A	Hinges Control Panel to Plumbing Shelf
Hose, Batch bottom	EAH0033L85A	See diagram page 7, or 6
Hose, Block - High Side	EAH0034L79A	See diagram page 7, or 6
Hose, Comp. – Oil Sep.	EAH0034L91A	See diagram page 7, or 6
Hose, Cond. - Block	EAH0034L76A	See diagram page 7, or 6
Hose, Filter – Comp.	EAH0034L90A	See diagram page 7, or 6
Hose, Oil - Bulkhead	EAH0034L86A	See diagram page 7, or 6
Hose, Oil Bottle	EAH0034L87A	See diagram page 7, or 6
Hose, Oil Sep. – Comp.	EAH0034L92A	See diagram page 7, or 6
Hose, Oil Sep. – Cond.	EAH0034L88A	See diagram page 7, or 6
Hose, Purge, internal	EAH0033L87A	Internal purge hose from solenoid to bulkhead
Hose, Rec. Tank, Liquid	EAH0033L95A	Connects to liquid side of Recovery Tank
Hose, Rec. Tank, Vapor	EAH0033L93A	Connects to vapor side of Recovery Tank
Hose, Sec. Sep - Filter	EAH0034L89A	See diagram page 7, or 6
Hose, Suc. Sep. drain	EAH0034L85A	See diagram page 7, or 6
Hose, Oil Sep. Top	EAH0034L56A	See diagram page 7, or 6
Hose, Tank Liquid	EAH0033L95A	See diagram page 7, or 6
Hose, Tank Vapor	EAH0033L93A	See diagram page 7, or 6
Hose, Vacuum Pump	EAH0034L81A	See diagram page 7, or 6
Hose, Vehicle High	EAH0033L69A	Service hose to vehicle High
Hose, Vehicle Low	EAH0033L67A	Service hose to vehicle Low
Hose, Virgin Tank	EAH0033L91A	Connects to Virgin Tank
Hose, Yellow, Tank Purge	EAH0033L87A	Air purge from Recovery Tank to unit bulkhead
Identifier Assy (optional)	1-18581A	Complete Assembly w/o wire harnesses. See Appendix B
Keypad-overlay	EAL0357L00A	Key pad and Graphic Overlay is this one part
Klixon, overload breaker	2-21166	Standard thermal/current overload breaker
Label, EquiServ	EAL0264C00A	Service label
Label, Probe	EAL0357L20A	Label for Auxiliary Temperature Probe inputs
Label, Warning	EAL0357L30A	Warning Label
Label, WHITE	EAL0322L04A	White Industries logo
Manual, Installation / Operation	ZEEAC720A	Operator's Manual
Nut, ½" - 20	1-1034	Part of EAA0253L47A
O-Ring	8-6414	Compression fitting O-Rings (used for internal fittings)
O-ring, hose-adapter	8-6214	Between hose and service adapter
O-ring, hose-unit	8-6114	Between unit and hose
Paper, thermal printer	8-00910A	Paper for printer
Plug, Pocket hole, large	1-1976	Large hole plug for Plastic Filter Pocket
Plug, Pocket hole, small	1-1676	Small hole plug for Plastic Filter Pocket
Power Supply	EAP0225L00A	Standard switching supply: +/-12 and +5 volts DC
Printer Assy (optional)	EAA0253L54A	Complete Assembly. See Appendix B
Pump, Vacuum, 1.5 CFM	1-18681A	Vacuum Pump
Purge Solenoid Assly	EAA0253L63A	Solenoid, Hose and Fittings for air purge
Relay	2-4837	AC component control relays (2 used)
Relay, Compressor	2-7437	Fits beside Klixon in Compressor terminal box
Screw, Oval Head	1-02705A	For top of top shroud
Screw, Pan Head	1-09726A	For side of top shroud
Sensor, Temperature	1-7081	Thermistor used on Solenoid Block

DESCRIPTION	PART NUMBER	COMMENTS
Separator Assy, Comp. Oil	EAA0253L43A	Separates and holds compressor oil for return to compressor (complete assembly w/ fittings, HP Switch and Solenoid)
Separator, Sep. Body only	1-1385	Part of EAA0253L43A Assembly
Separator, Vehicle Oil	EAA0253L42A	Separates vehicle oil out for disposal in "Oil Purge"
Socket, Power	2-18147A	For AC power cord (Power Cord = 6-04121A)
Solenoid Coil: S1, S2, S3, S8, S10, S11, S12, S13, S14, S15, S16	EAK0218L29A	Coil for Block Solenoids: S1, S2, S3, S8, S10, S11, S12, S13, S14, S15, S16
Solenoid Coil: S5 and S7	EAK0218L30A	"Squared" solenoids used on Block (2 used)
Solenoid Kit (Plunger, O-Ring, Spring and Wrench): S1, S2, S3, S8, S10, S11, S12, S13, S14, S15	EAK0218L27A	Repair kit for Block solenoids: S1, S2, S3, S8, S10, S11, S12, S13, S14, S15 (Does not include Coil – See Solenoid Coil)
Solenoid Kit (Plunger, O-Ring, Spring and Wrench): S5 and S7	EAK0218L28A	Repair kit for Block solenoids: S5 and S7 (Does not include Coil – See Solenoid Coil)
Solenoid, Oil Purge (S9)	2-5837	Stand-alone solenoid, Normally Closed (w/o fittings)
Solenoid, Chamber Liquid (S4)	2-5637	Stand-alone solenoid, Normally Closed (w/o fittings)
Solenoid, Oil Return (S17b)	2-5437	Part of EAA0253L43A Assembly
Solenoid, Purge (S6)	2-10237A	Connected to Compressor input, used to purge air from Recovery Tank
Strap, Cover	2-7157	Holds plastic electrical cover onto compressor
Strap, Rec. Tank	5-09626A	Recovery Tank strap without buckle
Strap, Rec. Tank-buckle	5-09426A	Recovery Tank strap with buckle
Strap, Vir. Tank	5-10026A	Virgin Tank strap without buckle
Strap, Vir. Tank-buckle	5-09226A	Virgin Tank strap with buckle
Switch, High Pressure	1-13881	Part of EAA0253L43A Assembly
Switch, Power	2-12358A	Main Power Switch
Tank, Recovery	EAA0253L62A	Recovery Tank
Transducer, Pressure	2-19966	Pressure Transducer used on Solenoid Block (3 used)
Tube, Block - Batch	EAH0034L77A	From Solenoid Block (port 7) to Batch Chamber
Tube, Block – S4	EAH0034L75A	From Solenoid Block (port 5) to S4 (Batch Liquid)
Tube, Compressor suction	EAH0034L78A	From Solenoid Block (port 8) to Compressor suction port
Tube, in bottle	EAH0034L60A	Part of EAA0253L48A
Tube, Recycled liquid	EAH0034L72A	From Solenoid Block (port 2) to Recovery Tank Liquid port
Tube, Recycled vapor	EAH0034L74A	From Solenoid Block (port 4) to Recovery Tank Vapor port
Tube, to Gauges	EAH0034L82A	See diagram page 7, or 6
Tube, Vehicle low	EAH0034L80A	From Solenoid Block (port 10) to low side Vehicle Service port
Tube, Virgin liquid	EAH0034L71A	From Solenoid Block (port 1) to Virgin Tank port
Valve, Anti-blowback	1-26280	Anti-blowback Valve
Washer, Copper	1-08479A	Crush washer
Washer, Lock	1-2747	Part of EAA0253L47A
Wheel, 7"	8-22239A	7" Wheels

PARTS IN NUMERICAL ORDER

PART NUMBER	DESCRIPTION	COMMENTS
1-02705A	Screw, Oval Head	For top of top shroud
1-08479A	Washer, Copper	Crush washer
1-09726A	Screw, Pan Head	For side of top shroud
1-1034	Nut, ½" - 20	Part of EAA0253L47A
1-1385	Separator, Sep. Body only	Part of EAA0253L43A Assembly
1-13881	Switch, High Pressure	Part of EAA0253L43A Assembly
1-15080	Adapter, Low Side	Connects to a new virgin tank for low side quick coupler
1-16181A	Float Switch Assembly	Float Switch Assembly for Batch Chamber EAA0253L41A
1-1676	Plug, Pocket hole, small	Small hole plug for Plastic Filter Pocket
1-17580	Fitting, 90° Elbow	Part of EAA0253L47A
1-18480A	Fitting, Bulkhead	Pneumatic brass, fitting for bulkhead pass-through
1-18581A	Identifier Assy (optional)	Complete Assembly w/o wire harnesses. See Appendix B
1-18681A	Pump, Vacuum, 1.5 CFM	Vacuum Pump
1-1976	Plug, Pocket hole, large	Large hole plug for Plastic Filter Pocket
1-26280	Valve, Anti-blowback	Anti-blowback Valve
1-26380	Fitting, threaded	Pneumatic brass, threaded fitting, 1/8" – ¼"
1-27180	Adapter, High, red	Vehicle Adapter, high side
1-27280	Adapter, Low, Blue	Vehicle Adapter, low side
1-2747	Washer, Lock	Part of EAA0253L47A
1-29480A	Fitting, Bulkhead	Part of EAA0253L47A
1-29480A	Fitting, Bulkhead	Part of EAA0253L48A
1-3485	Cover, Terminal	Plastic electrical cover for Compressor
1-3684A	Axle, ½"	Axle for 7" Wheels
1-7081	Sensor, Temperature	Thermistor used on Solenoid Block
1-885	Bottle, 8 Oz.	Part of EAA0253L47A
1-885	Bottle, 8 Oz.	Part of EAA0253L48A
1-985	Cap, Bottle	Part of EAA0253L47A
1-985	Cap, Bottle	Part of EAA0253L48A
1-9880	Fitting, Coupling	Part of EAA0253L47A
1-9881	Filter, Master	Filter / Dryer, user replaceable
2-10237A	Solenoid, Purge (S6)	Connected to Compressor input, used to purge air from Recovery Tank
2-10951	Block, Fuse	Holds fuses and connectors
2-1229	Capacitor, Start	Used to boost starting sequence of compressor
2-12358A	Switch, Power	Main Power Switch
2-18147A	Socket, Power	For AC power cord (Power Cord = 6-04121A)
2-1868	Heater Blanket only	Heater for Vehicle Oil Separator
2-19966	Transducer, Pressure	Pressure Transducer used on Solenoid Block (3 used)
2-21166	Klixon, overload breaker	Standard thermal/current overload breaker
2-2168	Condenser	Condenser
2-251	Fuse, 5 Amp	Used for F1 and F3; normal blow, 250 volts arc gap
2-2568	Fan	Used for Condenser
2-4837	Relay	AC component control relays (2 used)
2-48504A	Block, Terminal	AC power terminal block
2-5337	Button Assembly	Part of EAA0253L48A
2-5437	Solenoid, Oil Return (S17b)	Part of EAA0253L43A Assembly
2-5637	Solenoid, Chamber Liquid (S4)	Stand-alone solenoid, Normally Closed (w/o fittings)
2-5837	Solenoid, Oil Purge (S9)	Stand-alone solenoid, Normally Closed (w/o fittings)
2-7157	Strap, Cover	Holds plastic electrical cover onto compressor

PART NUMBER	DESCRIPTION	COMMENTS
2-7437	Relay, Compressor	Fits beside Klixon in Compressor terminal box
2-7651	Fuse, 2 Amp	Used for F2; slow blow, 250 volts arc gap
5-09226A	Strap, Vir. Tank-buckle	Virgin Tank strap with buckle
5-09426A	Strap, Rec. Tank-buckle	Recovery Tank strap with buckle
5-09626A	Strap, Rec. Tank	Recovery Tank strap without buckle
5-10026A	Strap, Vir. Tank	Virgin Tank strap without buckle
6-04121A	Cord, Power	AC Power Cord
8-00910A	Paper, thermal printer	Paper for printer
8-04620A	Gauge, Low	Pressure / Vacuum Gauge
8-04720A	Gauge, High	Pressure Gauge
8-08933A	Handle	Unit handle
8-19739	Caster, 4", w/Brake	Caster with Brake
8-22239A	Wheel, 7"	7" Wheels
8-23736A	Hinge	Hinges Control Panel to Plumbing Shelf
8-6114	O-ring, hose-unit	Between unit and hose
8-6214	O-ring, hose-adaptor	Between hose and service adapter
8-6414	O-Ring	Compression fitting O-Rings (used for internal fittings)
EAA0253L41A	Batch Chamber Assy, shell assy. only, see item 1-16181A	Batch Chamber with fittings and hose, NO Float Switch Assembly (see item 1-16181A)
EAA0253L42A	Separator, Vehicle Oil	Separates vehicle oil out for disposal in "Oil Purge"
EAA0253L43A	Separator Assy, Comp. Oil	Separates and holds compressor oil for return to compressor (complete assembly w/ fittings, HP Switch and Solenoid)
EAA0253L47A	Bottle Assembly, Purge	Complete assembly with fittings
EAA0253L48A	Bottle Assembly, Oil	Complete assembly with fittings
EAA0253L49A	Compressor, w/soldered fittings	With soldered fittings, but no other plumbing fittings
EAA0253L52A	Board, Display	Alphanumeric Display and control electronics
EAA0253L54A	Printer Assy (optional)	Complete Assembly. See Appendix B
EAA0253L62A	Tank, Recovery	Recovery Tank
EAA0253L63A	Purge Solenoid Assy	Solenoid, Hose and Fittings for air purge
EAC0064L03A	Filter Pocket	Plastic Filter Pocket
EAC0067L00A	Cabinet, Main	Lower section
EAC0067L01A	Cabinet, Upper Shroud	Black Plastic
EAC0067L02A	Hanger, Hose	For hanging hoses on
EAH0033L67A	Hose, Vehicle Low	Service hose to vehicle Low
EAH0033L69A	Hose, Vehicle High	Service hose to vehicle High
EAH0033L85A	Hose, Batch bottom	See diagram page 7, or 6
EAH0033L87A	Hose, Purge, internal	Internal purge hose from solenoid to bulkhead
EAH0033L87A	Hose, Yellow, Tank Purge	Air purge from Recovery Tank to unit bulkhead
EAH0033L91A	Hose, Virgin Tank	Connects to Virgin Tank
EAH0033L93A	Hose, Rec. Tank, Vapor	Connects to vapor side of Recovery Tank
EAH0033L93A	Hose, Tank Vapor	See diagram page 7, or 6
EAH0033L95A	Hose, Rec. Tank, Liquid	Connects to liquid side of Recovery Tank
EAH0033L95A	Hose, Tank Liquid	See diagram page 7, or 6
EAH0034L56A	Tube, Recycled vapor	From Solenoid Block (port 4) to Recovery Tank Vapor port
EAH0034L60A	Tube, in bottle	Part of EAA0253L48A
EAH0034L71A	Tube, Virgin liquid	From Solenoid Block (port 1) to Virgin Tank port
EAH0034L72A	Tube, Recycled liquid	From Solenoid Block (port 2) to Recovery Tank Liquid port
EAH0034L73A	Hose, Suc. Sep. Top	See diagram page 7, or 6
EAH0034L75A	Tube, Block – S4	From Solenoid Block (port 5) to S4 (Batch Liquid)
EAH0034L76A	Hose, Cond. - Block	See diagram page 7, or 6
EAH0034L77A	Tube, Block - Batch	From Solenoid Block (port 7) to Batch Chamber
EAH0034L78A	Tube, Compressor suction	From Solenoid Block (port 8) to Compressor suction port

EEAC720 PARTS

PART NUMBER	DESCRIPTION	COMMENTS
EAH0034L79A	Hose, Block - High Side	See diagram page 7, or 6
EAH0034L80A	Tube, Vehicle low	From Solenoid Block (port 10) to low side Vehicle Service port
EAH0034L81A	Hose, Vacuum Pump	See diagram page 7, or 6
EAH0034L82A	Tube, to Gauges	See diagram page 7, or 6
EAH0034L85A	Hose, Suc. Sep. drain	See diagram page 7, or 6
EAH0034L86A	Hose, Oil - Bulkhead	See diagram page 7, or 6
EAH0034L87A	Hose, Oil Bottle	See diagram page 7, or 6
EAH0034L88A	Hose, Oil Sep. – Cond.	See diagram page 7, or 6
EAH0034L89A	Hose, Sec. Sep - Filter	See diagram page 7, or 6
EAH0034L90A	Hose, Filter – Comp.	See diagram page 7, or 6
EAH0034L91A	Hose, Comp. – Oil Sep.	See diagram page 7, or 6
EAH0034L92A	Hose, Oil Sep. – Comp.	See diagram page 7, or 6
EAK0218L27A	Solenoid Kit (Plunger, O-Ring, Spring and Wrench): S1, S2, S3, S8, S10, S11, S12, S13, S14, S15	Repair kit for Block solenoids: S1, S2, S3, S8, S10, S11, S12, S13, S14, S15 (Does not include Coil – See Solenoid Coil)
EAK0218L28A	Solenoid Kit (Plunger, O-Ring, Spring and Wrench): S5 and S7	Repair kit for Block solenoids: S5 and S7 (Does not include Coil – See Solenoid Coil)
EAK0218L29A	Solenoid Coil: S1, S2, S3, S8, S10, S11, S12, S13, S14, S15, S16	Coil for Block Solenoids: S1, S2, S3, S8, S10, S11, S12, S13, S14, S15, S16
EAK0218L30A	Solenoid Coil: S5 and S7	“Squared” solenoids used on Block (2 used)
EAL0264C00A	Label, EquiServ	Service label
EAL0322L04A	Label, WHITE	White Industries logo
EAL0357L00A	Keypad-overlay	Key pad and Graphic Overlay is this one part
EAL0357L20A	Label, Probe	Label for Auxiliary Temperature Probe inputs
EAL0357L30A	Label, Warning	Warning Label
EAP0219L10C	Board, Control	Main Control Board
EAP0219L20A	Board, Driver	Controls power to Solenoids
EAP0225L00A	Power Supply	Standard switching supply: +/-12 and +5 volts DC
EAS2006L03A	Frame, Control Face	Bare metal Control Panel Assembly w/studs
EAW0209L37A	Harness Assy, Input	Connectors and wiring harness
ZEEAC720A	Manual, Installation / Operation	Operator’s Manual

WIRING HARNESSES

PART NUMBER	DESCRIPTION	COMMENTS
EAW0209L18A	Wiring Harness	Printer data cable
EAW0209L21A	Wiring Harness	Identifier data cable
EAW0209L22A	Wiring Harness	From Batch Chamber and HP Switch to Control Board
EAW0209L24A	Wiring Harness	From Transducers and Temperature Sensor to Control Board
EAW0209L26A	Wiring Harness	Tank Probe Harness
EAW0209L27A	Wiring Harness	AC input harness
EAW0209L28A	Wiring Harness	Communications harness from Control Bd. To Driver Bd.s
EAW0209L29A	Wiring Harness	Power to Driver Boards
EAW0209L30A	Wiring Harness	Power to Fan
EAW0209L32A	Wiring Harness, Main	Main AC component and driver interconnect harness
EAW0209L34A	Wiring Harness	DC Power Harness
EAW0209L36A	Wiring Harness	Power to Fan
EAW0209L37A	Wiring Harness	Auxiliary Temperature Probe input connectors and harness

EQUIPMENT SERVICE ON SITE



355 EXCHANGE AVE
CONWAY, ARKANSAS 72032