

EQUIPMENT SERVICE ON SITE



1090 ST

EEAC721A

Parts Reference Manual



April, 2003

All information contained or disclosed in this document is considered confidential and proprietary by Snap-on Tools Company. All manufacturing, use, reproduction, and sales rights are reserved by Snap-on Tools Company and the information contained herein shall not be used in whole or in part without the express written consent of Snap-on Tools Company.

PARTS

GENERAL

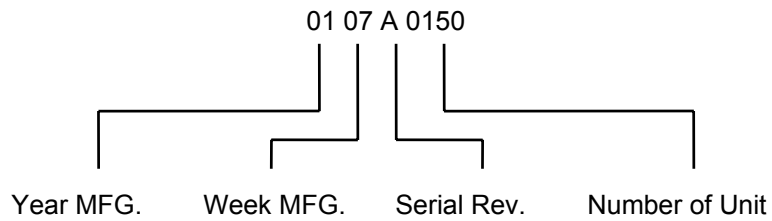
1090 ST (EEAC721A)

This document describes assemblies/subassemblies/parts considered replaceable at on-site field installation.

NOTE: *The following is a breakdown description of the Serial Number.*

Serial # Location – Rear, upper left.

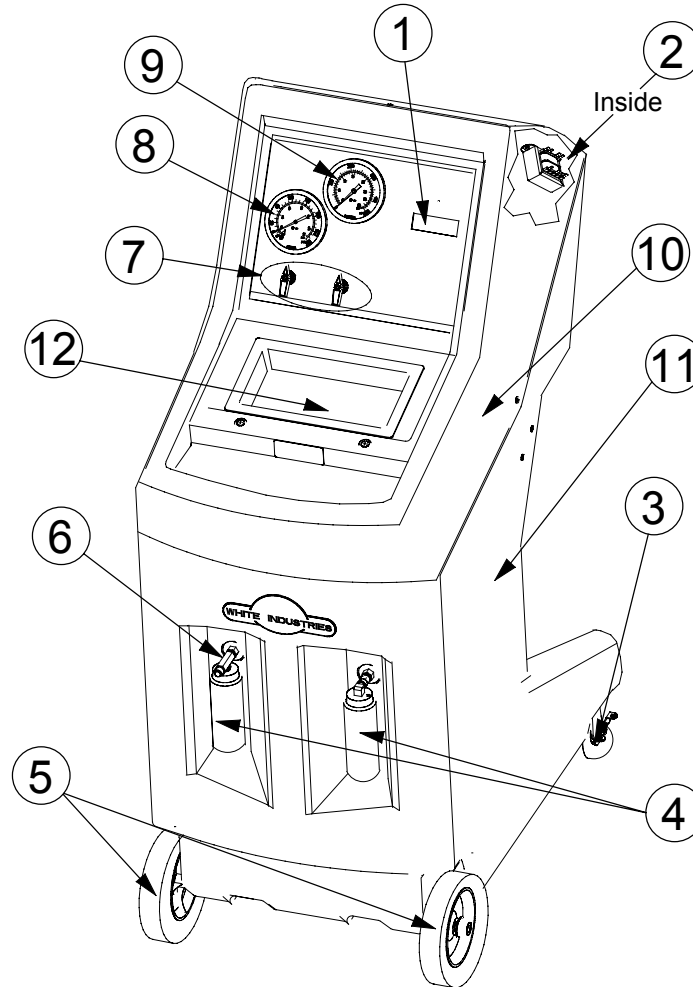
Example:



NS: NOT SHOWN IN PICTORIAL

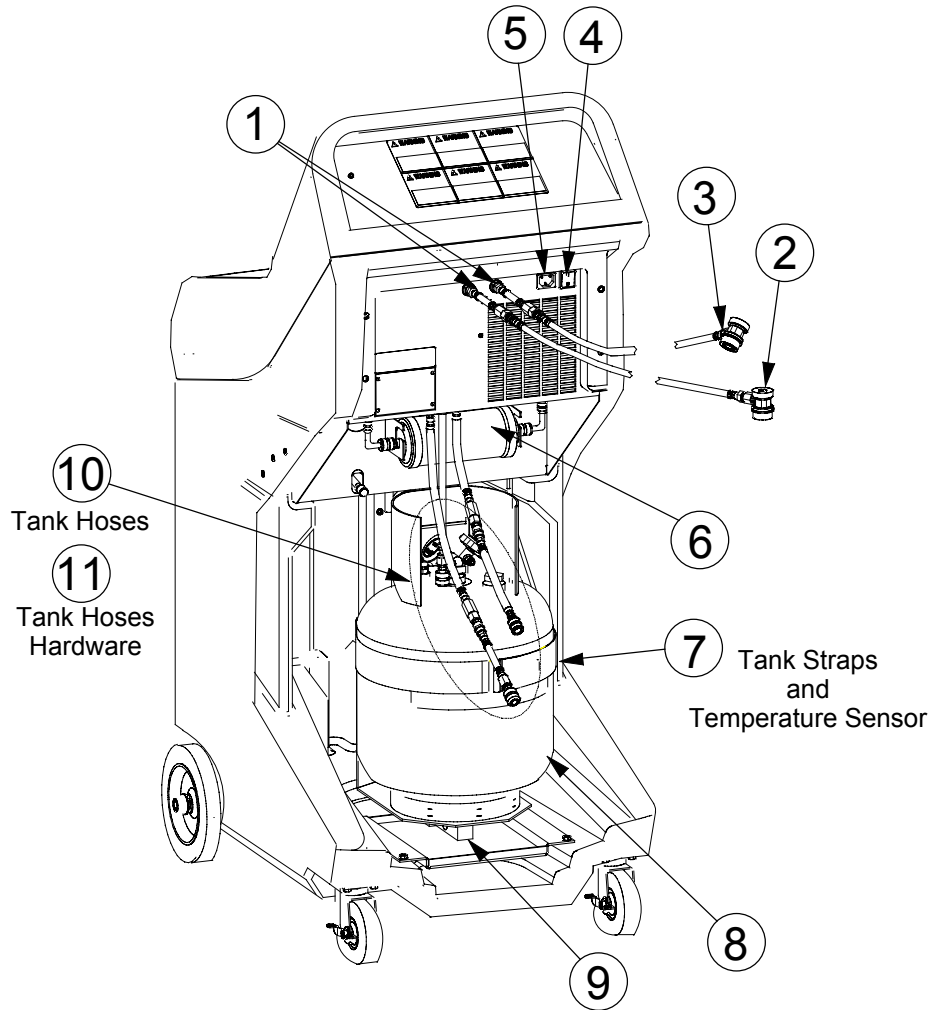
PARTS BY PICTORIAL

FRONT VIEW



ITEM	DESCRIPTION	PART NUMBER	ITEM	DESCRIPTION	PART NUMBER
1	Board, Control Assy	EAP0219L40	8	Gauge, Low	8-04620
2	Transformer, 24 volts	7-14901	9	Gauge, High	8-04720
3	Caster, 4", w/Brake	8-19739	10	Shroud, Control	EAC0067L01A
4	Bottle, 8 Oz.	1-05585	10a	Label, Caution, front	EAL0236C00
4a	Cap, 8 Oz. Bottle	1-985	10b	Label, Warning, back	EAL0357L66
5	Wheel, 7"	8-22239	11	Cabinet Assy	EAA0299L35
5a	Hub, for 7" Wheel Axle	1-07139	11a	Decal, White Industries	EAL0322L04
5b	Axle, 1/2"	1-3684	12	Tray, Storage	EAC0031C00A
6	Button Assy, Oil Charge	2-5337	NS	Hanger, Hose	EAC0067L02A
7	Valve Assy, Dual	1-22981	NS	Handle	8-08933A

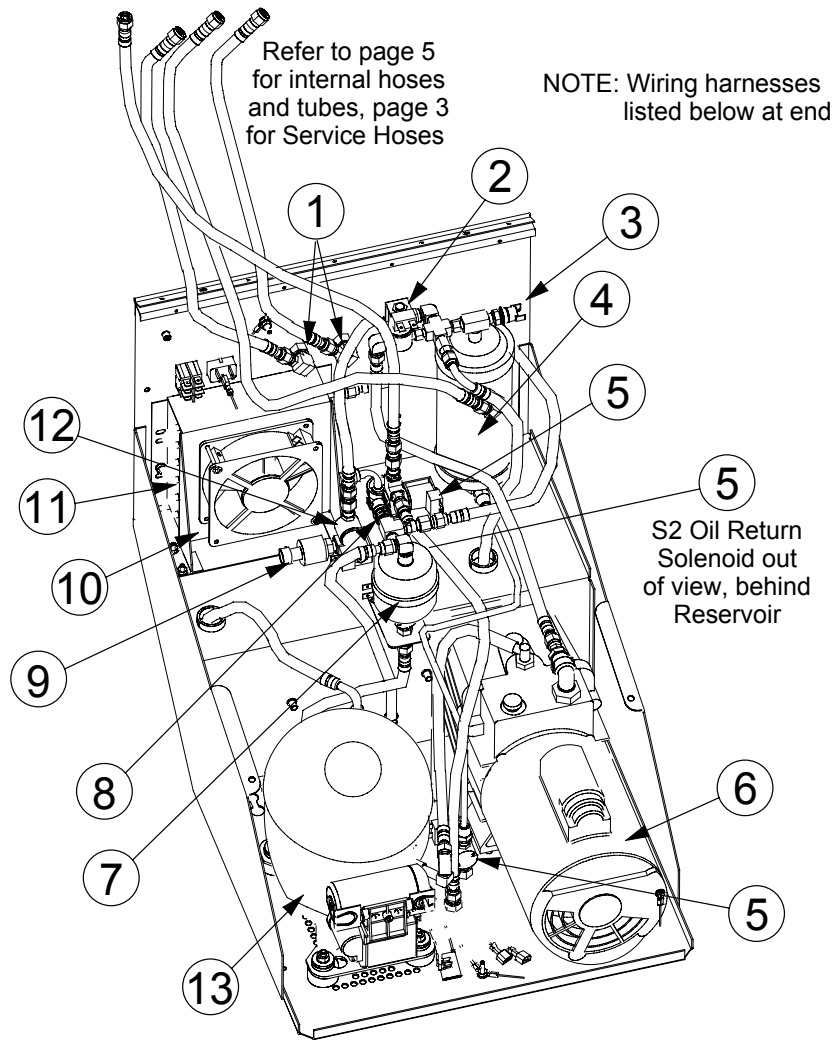
BACK VIEW



ITEM	DESCRIPTION	PART NUMBER
1a	Hose, Service, High red	EAH0033L69A
1b	Hose, Service, Low blue	EAH0033L67A
1c	O-Ring, hose-Service Adapter	45034
1d	O-Ring, hose-unit	8-6114
2	Adapter, Service, High	1-27180
3	Adapter, Service, Low	1-27280
4	Switch, Power	2-12358
5a	Connector, Power	2-18147
5b	Cord, Power	6-04121
6	Master Filter	1-13481
7a	Strap, w/Velcro	5-09626

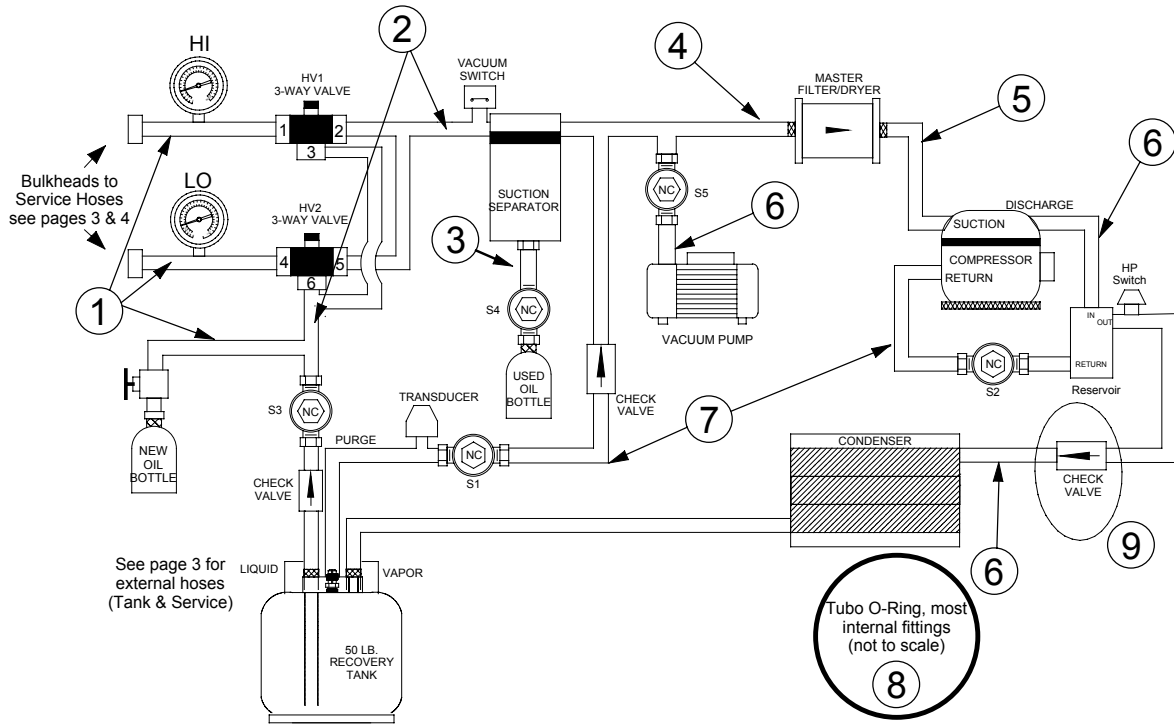
ITEM	DESCRIPTION	PART NUMBER
7b	Strap, w/Ring	5-09226
7c	Sensor, Temperature	EAA0223L19A
8	Tank, Recovery	EAA0253L72A
9	Scale Assembly	EAA0299L55A
9a	Load Cell	EAW0262L00A
10a	Hose Assembly, Tank Liquid	EAH0033L56A
10b	Hose Assembly, Tank Vapor	EAH0035L26A
10c	Hose Assembly, Tank Purge	EAH0040L00A
11a	Valve, Anti-Blowback	1-26280
11b	Washer, copper	1-08479
11c	O-Ring, hose-unit (same as 1d)	8-6114

PLUMBING SHELF



ITEM	DESCRIPTION	PART NUMBER	ITEM	DESCRIPTION	PART NUMBER
1	Bulkhead Fitting Assy	EAA0299L45A	13b	Circuit Breaker (Klixon)	2-21166
2	Solenoid, Vacuum, S5	2-11937	13c	Retainer, Circuit Breaker	2-2166
3	Switch, Vacuum	1-24881	13d	Relay, Start	2-7437
4	Separator, (Accumulator)	1-05185	13e	Capacitor, Start	2-1229
5	Solenoids, S2, S3, S4	2-08837	13f	Noise Suppressor Assy	EAA0289L13A
6	Pump, Vacuum	1-23381	13g	Grommet	8-7116
7	Separator, Compressor Oil	1-09785	13h	Sleeve	1-6262
8	Switch, High Pressure	1-13881		Parts below not included	
9	Transducer, Pressure	2-19966		In Compressor	
10	Fan	2-17566		Assembly	
11	Condenser	2-2168	13i	Cover, Terminal	1-3485
12	Solenoid, Purge, S1	2-08937	13j	Strap, Terminal Cover	2-7157
13	Compressor Assy, Complete	EAA0236L00A	NS	Wiring Harness, main to J3	EAW0262L01A
13a	Compressor w/fittings only	EAA0025C01A	NS	Wiring Harness, switches to J20	EAW0262L03A

HOSES AND TUBES DIAGRAM



ITEM	DESCRIPTION	PART NUMBER
1	Hose, 20"	EAH0047L02A
2	Hose, 24"	EAH0047L03A
3	Tube, Oil Discharge	EAH0034L85A
4	Hose, 15", w/ABB valve	EAH0040L23A

ITEM	DESCRIPTION	PART NUMBER
5	Hose, 23", w/ABB valve	EAH0035L19A
6	Hose, 15"	EAH0047L01A
7	Hose, 10"	EAH0047L00A
8	O-Ring, Tubo	8-6414
9.	Valve, Check	1-6381

PARTS IN ALPHABETICAL ORDER

DESCRIPTION	PART NUMBER	COMMENTS
Adapter, Service, High	1-27180	Page 3, Item 2
Adapter, Service, Low	1-27280	Page 3, Item 3
Axle, 1/2"	1-3684	Page 2, Item 5b
Board, Control Assy	EAP0219L40	Page 2, Item 1
Bottle, 8 Oz.	1-05585	Page 2, Item 4
Button Assy, Oil Charge	2-5337	Page 2, Item 6
Cabinet Assy	EAA0299L35	Page 2, Item 11
Cap, 8 Oz. Bottle	1-985	Page 2, Item 4a
Capacitor, Start	2-1229	Page 4, Item 13e
Caster, 4", w/Brake	8-19739	Page 2, Item 3
Circuit Breaker (Klixon)	2-21166	Page 4, Item 13b
Compressor Assy, Complete	EAA0236L00A	Page 4, Item 13
Compressor w/fittings only	EAA0025C01A	Page 4, Item 13a
Condenser	2-2168	Page 4, Item 11
Connector, Power	2-18147	Page 3, Item 5a
Cord, Power	6-04121	Page 3, Item 5b
Cover, Terminal	1-3485	Page 4, Item 13i, not part of Compressor Assembly
Decal, White Industries	EAL0322L04	Page 2, Item 11a
Fan	2-17566	Page 4, Item 10
Fitting Assy, Bulkhead	EAA0299L45A	Page 4, Item 1
Gauge, High	8-04720	Page 2, Item 9
Gauge, Low	8-04620	Page 2, Item 8
Grommet	8-7116	Page 4, Item 13g
Handle	8-08933A	Page 2, Item not shown, metal
Hanger, Hose	EAC0067L02A	Page 2, Item not shown, plastic
Hose Assembly, Tank Liquid	EAH0033L56A	Page 3, Item 10a
Hose Assembly, Tank Purge	EAH0040L00A	Page 3, Item 10c
Hose Assembly, Tank Vapor	EAH0035L26A	Page 3, Item 10b
Hose, 10"	EAH0047L00A	Page 4, Item 7
Hose, 15"	EAH0047L01A	Page 4, Item 6
Hose, 15", w/ABB valve	EAH0040L23A	Page 4, Item 4
Hose, 20"	EAH0047L02A	Page 4, Item 1
Hose, 23", w/ABB valve	EAH0035L19A	Page 4, Item 5
Hose, 24"	EAH0047L03A	Page 4, Item 2
Hose, Service, High red	EAH0033L69A	Page 3, Item 1a
Hose, Service, Low blue	EAH0033L67A	Page 3, Item 1b
Hub, for 7" Wheel Axle	1-07139	Page 2, Item 5a
Label, Caution, front	EAL0236C00	Page 2, Item 10a
Label, Warning, back	EAL0357L66	Page 2, Item 10b
Load Cell	EAW0262L00A	Page 3, Item 9a
Master Filter	1-13481	Page 3, Item 6
Noise Suppressor Assy	EAA0289L13A	Page 4, Item 13f
O-Ring, hose-Service Adapter	45034	Page 3, Item 1c
O-Ring, hose-unit	8-6114	Page 3, Item 1d
O-Ring, Tubo	8-6414	Page 4, Item 8
Pump, Vacuum	1-23381	Page 4, Item 6
Relay, Start	2-7437	Page 4, Item 13d
Retainer, Circuit Breaker	2-2166	Page 4, Item 13c
Scale Assembly	EAA0299L55A	Page 3, Item 9
Sensor, Temperature	EAA0223L19A	Page 3, Item 7c
Separator, (Accumulator)	1-05185	Page 4, Item 4

DESCRIPTION	PART NUMBER	COMMENTS
Separator, Compressor Oil	1-09785	Page 4, Item 7
Shroud, Control	EAC0067L01A	Page 2, Item 10
Sleeve	1-6262	Page 4, Item 13h
Solenoid, Purge, S1	2-08937	Page 4, Item 12
Solenoid, Vacuum, S5	2-11937	Page 4, Item 2
Solenoids, S2, S3, S4	2-08837	Page 4, Item 5
Strap, Terminal Cover	2-7157	Page 4, Item 13j, not part of Compressor Assembly
Strap, w/Ring	5-09226	Page 3, Item 7b
Strap, w/Velcro	5-09626	Page 3, Item 7a
Switch, High Pressure	1-13881	Page 4, Item 8
Switch, Power	2-12358	Page 3, Item 4
Switch, Vacuum	1-24881	Page 4, Item 3
Tank, Recovery	EAA0253L72A	Page 3, Item 8
Transducer, Pressure	2-19966	Page 4, Item 9
Transformer, 24 volts	7-14901	Page 2, Item 2
Tray, Storage	EAC0031C00A	Page 2, Item 12
Tube, Oil Discharge	EAH0034L85A	Page 4, Item 3
Valve Assy, Dual	1-22981	Page 2, Item 7
Valve, Anti-Blowback	1-26280	Page 3, Item 11a
Valve, Check	1-6381	Page 4, Item 9
Washer, copper	1-08479	Page 3, Item 11b
Wheel, 7"	8-22239	Page 2, Item 5
Wiring Harness, main to J3	EAW0262L01A	Page 4, Item not shown, main harness connects to J3 at Control Board
Wiring Harness, switches to J20	EAW0262L03A	Page 4, Item not shown, switches harness connects to J20 at Control Board

PARTS IN NUMERIC ORDER

PART NUMBER	DESCRIPTION	COMMENTS
1-05185	Separator, (Accumulator)	Page 4, Item 4
1-05585	Bottle, 8 Oz.	Page 2, Item 4
1-07139	Hub, for 7" Wheel Axle	Page 2, Item 5a
1-08479	Washer, copper	Page 3, Item 11b
1-09785	Separator, Compressor Oil	Page 4, Item 7
1-13481	Master Filter	Page 3, Item 6
1-13881	Switch, High Pressure	Page 4, Item 8
1-22981	Valve Assy, Dual	Page 2, Item 7
1-23381	Pump, Vacuum	Page 4, Item 6
1-24881	Switch, Vacuum	Page 4, Item 3
1-26280	Valve, Anti-Blowback	Page 3, Item 11a
1-27180	Adapter, Service, High	Page 3, Item 2
1-27280	Adapter, Service, Low	Page 3, Item 3
1-3485	Cover, Terminal	Page 4, Item 13i, not part of Compressor Assembly
1-3684	Axle, 1/2"	Page 2, Item 5b
1-6262	Sleeve	Page 4, Item 13h
1-6381	Valve, Check	Page 4, Item 9
1-985	Cap, 8 Oz. Bottle	Page 2, Item 4a
2-08837	Solenoids, S2, S3, S4	Page 4, Item 5
2-08937	Solenoid, Purge, S1	Page 4, Item 12
2-11937	Solenoid, Vacuum, S5	Page 4, Item 2
2-1229	Capacitor, Start	Page 4, Item 13e
2-12358	Switch, Power	Page 3, Item 4
2-17566	Fan	Page 4, Item 10

EEAC721A PARTS REFERENCE

PART NUMBER	DESCRIPTION	COMMENTS
2-18147	Connector, Power	Page 3, Item 5a
2-19966	Transducer, Pressure	Page 4, Item 9
2-21166	Circuit Breaker (Klixon)	Page 4, Item 13b
2-2166	Retainer, Circuit Breaker	Page 4, Item 13c
2-2168	Condenser	Page 4, Item 11
2-5337	Button Assy, Oil Charge	Page 2, Item 6
2-7157	Strap, Terminal Cover	Page 4, Item 13j, not part of Compressor Assembly
2-7437	Relay, Start	Page 4, Item 13d
45034	O-Ring, hose-Service Adapter	Page 3, Item 1c
5-09226	Strap, w/Ring	Page 3, Item 7b
5-09626	Strap, w/Velcro	Page 3, Item 7a
6-04121	Cord, Power	Page 3, Item 5b
7-14901	Transformer, 24 volts	Page 2, Item 2
8-04620	Gauge, Low	Page 2, Item 8
8-04720	Gauge, High	Page 2, Item 9
8-08933A	Handle	Page 2, Item not shown, metal
8-19739	Caster, 4", w/Brake	Page 2, Item 3
8-22239	Wheel, 7"	Page 2, Item 5
8-6114	O-Ring, hose-unit	Page 3, Item 1d
8-6414	O-Ring, Tubo	Page 4, Item 8
8-7116	Grommet	Page 4, Item 13g
EAA0025C01A	Compressor w/fittings only	Page 4, Item 13a
EAA0223L19A	Sensor, Temperature	Page 3, Item 7c
EAA0236L00A	Compressor Assy, Complete	Page 4, Item 13
EAA0253L72A	Tank, Recovery	Page 3, Item 8
EAA0289L13A	Noise Suppressor Assy	Page 4, Item 13f
EAA0299L35	Cabinet Assy	Page 2, Item 11
EAA0299L45A	Fitting Assy, Bulkhead	Page 4, Item 1
EAA0299L55A	Scale Assembly	Page 3, Item 9
EAC0031C00A	Tray, Storage	Page 2, Item 12
EAC0067L01A	Shroud, Control	Page 2, Item 10
EAC0067L02A	Hanger, Hose	Page 2, Item not shown, plastic
EAH0033L56A	Hose Assembly, Tank Liquid	Page 3, Item 10a
EAH0033L67A	Hose, Service, Low blue	Page 3, Item 1b
EAH0033L69A	Hose, Service, High red	Page 3, Item 1a
EAH0034L85A	Tube, Oil Discharge	Page 4, Item 3
EAH0035L19A	Hose, 23", w/ABB valve	Page 4, Item 5
EAH0035L26A	Hose Assembly, Tank Vapor	Page 3, Item 10b
EAH0040L00A	Hose Assembly, Tank Purge	Page 3, Item 10c
EAH0040L23A	Hose, 15", w/ABB valve	Page 4, Item 4
EAH0047L00A	Hose, 10"	Page 4, Item 7
EAH0047L01A	Hose, 15"	Page 4, Item 6
EAH0047L02A	Hose, 20"	Page 4, Item 1
EAH0047L03A	Hose, 24"	Page 4, Item 2
EAL0236C00	Label, Caution, front	Page 2, Item 10a
EAL0322L04	Decal, White Industries	Page 2, Item 11a
EAL0357L66	Label, Warning, back	Page 2, Item 10b
EAP0219L40	Board, Control Assy	Page 2, Item 1
EAW0262L00A	Load Cell	Page 3, Item 9a
EAW0262L01A	Wiring Harness, main to J3	Page 4, Item not shown, main harness connects to J3 at Control Board
EAW0262L03A	Wiring Harness, switches to J20	Page 4, Item not shown, switches harness connects to J20 at Control Board

EQUIPMENT SERVICE ON SITE



355 Exchange Ave.
Conway, AR 72032