

ECO NEXT ONE – ECO NEXT ONE HYBRID – ECO NEXT ONE HFO

R134a or R1234yf Refrigerant

Recovery / Recycle / Recharge

Service Vehicle A/C System

Instructions manual

[MANUY1N.0B1]

ed.3

INDEX

INDEX.....	3
SAFETY.....	5
<i>SAFETY INFORMATION</i>	5
EXPLOSION HAZARDS	5
HEAT/FREEZING HAZARDS	5
GENERAL SAFETY MESSAGGE	6
INHALATION HAZARDS	7
ADDITIONAL SAFETY INFORMATION	7
<i>HOSES CONNECTION</i>	8
SAFETY DEVICES	8
<i>REFRIGERANT AND LUBRICANT - PERSONAL PROTECTIVE EQUIPMENT AND PRECAUTIONS</i>	8
<i>PRECAUTIONS FOR HANDLING AND USE OF R134a or R1234yf FLUID</i>	8
INTRODUCTION	9
<i>CERTIFICATION</i>	9
<i>ABOUT THIS MANUAL</i>	9
<i>ABOUT YOUR AIR CONDITIONING SERVICE CENTER</i>	9
CONDITIONS OF WARRANTY	10
GENERAL INFORMATION	11
PRINCIPLES OF OPERATION	12
SETUP	13
<i>HOSES MOUNTING</i>	13
<i>RELEASE REFRIGERANT SCALE</i>	13
<i>LOCK REFRIGERANT SCALE</i>	13
THE MACHINE.....	15
<i>PLASTIC COVER</i>	15
<i>CONTROL PANEL</i>	16
<i>DISPLAY ICONS</i>	17
<i>BASIC COMPONENTS</i>	18
<i>ALARMS</i>	25
<i>ERROR CODES</i>	25
PRELIMINARY OPERATIONS	26
<i>QUICKSETUP</i>	27
AUTOMATIC PROCEDURE.....	28
<i>EDIT VACUUM DATA:</i>	28
<i>EDIT OIL DATA (ECO NEXT ONE only):</i>	29
<i>EDIT GAS FILLING DATA:</i>	29
<i>START AUTOMATIC PROCEDURE:</i>	30
MANUAL PROCEDURE	36
<i>RECOVERY</i>	36

VACUUM.....	38
OIL INJECTION (ECO NEXT ONE only)	41
START PROCEDURE	43
CHARGE (for ECO NEXT ONE and ECO NEXT ONE HYBRID)	46
START PROCEDURE	46
CHARGE (ECO NEXT ONE HFO only)	49
START PROCEDURE	50
SETUP	55
VACUUM SETTING	55
OPTIONS	56
SETUP HEADER PRINT	56
SET DATE / TIME	57
LANGUAGE	57
MEASURE UNITS	57
MAINTENANCE	58
TANK FILLING	58
AIR PURGE MANUAL	60
GAS ANALYSIS (ECO NEXT ONE HFO only)	60
EMPTY HOSES	62
CHANGE DRYER FILTER	63
VACUUM PUMP	67
M.1) OIL TOP-UP	67
M.2) OIL CHANGE	69
CHARGE ANALYZER FILTER (ECO NEXT ONE HFO only)	72
A/C PRESSURES CHECK	74
MAINTENANCE REPORT	77
SERVICES ARCHIVE	77
SEARCH BY PLATE	78
SEARCH BY DATE	78
EXTRACT ARCHIVE	79
COUNTERS	80
FILLING THE RECHARGEABLE NEW OIL CONTAINER (ECO NEXT ONE only)	81
EMPTYING THE USED OIL CONTAINER	81
REPLACING THE PRINTER PAPER	83
DATA	84
CODES SUMMARY	84

SAFETY

The following safety information is provided as guidelines to help you operate your new system under the safest possible conditions. Any equipment that uses chemicals can be potentially dangerous to use when safety or safe handling instructions are not known or not followed. The following safety instructions are to provide the user with the information necessary for safe use and operation. Please read and retain these instructions for the continued safe use of your service system.

SAFETY INFORMATION

Every craftsman respects the tools with which they work. They know that the tools represent years of constantly improved designs and developments. The true craftsman also knows that tools are dangerous if misused or abused. To reduce risk of discomfort, illness, or even death, read, understand, and follow the following safety instructions. In addition, make certain that anyone else that uses this equipment understands and follows these safety instructions as well.

READ ALL SAFETY INFORMATION CAREFULLY before attempting to install, operate, or service this equipment. Failure to comply with these instructions could result in personal injury and/or property damage.

RETAIN THE FOLLOWING SAFETY INFORMATION FOR FUTURE REFERENCE.

Published standards on safety are available and are listed at the end of this section under **ADDITIONAL SAFETY INFORMATION**.

The National Electrical Code, Occupational Safety and Health Act regulations, local industrial codes and local inspection requirements also provide a basis for equipment installation, use, and service.

The following safety alert symbols identify important safety messages in this manual.

When you see one of the symbols shown here, be alert to the possibility of personal injury and carefully read the message that follows.

EXPLOSION HAZARDS

⚠Warning



Risk of explosion

- **Do not fill the tank to more than 80% of the maximum capacity.**
Explosion can cause death or personal injury.

HEAT/FREEZING HAZARDS

⚠Warning



Risk of personal injury

- **Handle refrigerants and pressure vessels with caution.**
- **Wear safety glasses, gloves, and suitable clothing.**
- **Avoid contact with the skin.**



- **Avoid breathing A/C refrigerant and lubricant vapor mist.**

Contact with refrigerant can cause health risks, blindness, and other physical damage (frostbite) and possibly death.



Risk of personal injury and equipment damage

- **Always use an identifier before recovering refrigerant from a vehicle.**
- **Recover only the refrigerant the product was certified to be used with.**



Recovery of refrigerents other than the one the unit was certified for may cause injury, equipment damage and possible death. Alternate refrigerants may contain flammables such as butane or propane and can explode or cause a fire.



GENERAL SAFETY MESSAGES

⚠Warning

Risk of electric shock



- **Unplug unit before attempting any maintenance or cleaning.**
- **Do not operate unit with damaged cord or plug.**

Electric shock can cause injury or death.

⚠Warning

Risk of equipment or circuit damage



- **Always unplug equipment from electrical outlet when not in use.**
- **Never use the cord to pull plug from an outlet. Grasp the plug and pull it to disconnect.**
- **If an extension cord is necessary, a cord with a current rating equal to or more than the equipment should be used. Cords rated for less current may overheat.**
- **DO NOT adapt your unit for a different refrigerant — system failure will result. R134a or R1234yf systems have special fittings (per SAE specifications) to avoid cross contamination.**

Improper use of equipment can cause equipment or circuit damage.

⚠Warning

Risk of unexpected vehicle movement



- **Block drive wheels with chocks before performing a test with engine running.**
- **Unless instructed otherwise, set parking brake, and put gear selector in neutral or park.**
- **If the vehicle has an automatic parking brake release, disconnect the release mechanism for testing and reconnect when finished.**
- **Do not allow bystanders to stand in front of or behind the vehicle while testing.**
- **Do not leave a running engine unattended.**

A moving vehicle can cause death or serious injury.

⚠Warning



Risk of personal injury

- **Keep yourself, clothing and other objects clear of hot or moving parts.**

- **Keep hoses and cords clear of moving parts.**
- **Do not wear watches, rings, or loose clothing when working in an engine compartment.**

Contact with hot or moving parts can cause injury.

INHALATION HAZARDS

⚠Warning



Risk of fume, gas, and vapor hazards

- **Avoid breathing A/C refrigerant and lubricant vapor mist.**
- **Always perform vehicle service in a properly ventilated area.**
- **Never run an engine without proper ventilation for its exhaust.**



Fume, gas, and vapors can cause irritation to eyes, nose, and throat, cause illness or death.



ADDITIONAL SAFETY INFORMATION

For additional information concerning safety, refer to the following standards.

ANSI Standard Z87.1 — SAFE PRACTICE FOR OCCUPATION AND EDUCATIONAL EYE AND FACE PROTECTION - obtainable from the American National Standards Institute, 11 West 42nd St., New York, NY 10036, Telephone (212) 642-4900, Fax (212) 398-0023 - www.ansi.org

⚠Caution



Risk of ventilation hazards

- **Must have at least four air changes per hour or equipment should be located at least 18" (457 mm) above the floor.**

Poor ventilation can cause irritation to eyes, nose, and throat, illness, or death.



Risk of explosion

- **Do not pressure test or leak test R134a or R1234yf equipment and/or vehicle air conditioning systems with compressed air.**

Explosion can cause injury or death.

NOTE: Use only new lubricant to replace the amount removed during the recycling process. Used lubricant should be discarded per applicable federal, state, and local requirements.

The manufacturer shall not be responsible for any additional costs associated with a product failure including, but not limited to, loss of work time, loss of refrigerant, cross contamination of refrigerant, and unauthorized shipping and/or labor charges.

⚠Danger



Risk of explosion

- **Ensure that you are only recovering from the fitting on the AC system.**
- **Some car manufacturers on the fuel intake manifold install a connector identical to the A/C low pressure fitting.**

Explosion can cause injury or death.

⚠Warning



Risk of personal injury

- **Do not operate equipment with damaged cord or hoses.**
- **Do not operate the unit if it has been damaged until it has been**

examined by a qualified service personnel.

Damaged parts can cause injury or death.

⚠Warning



Possible equipment damage and fire

- **Only plug the product into a stable 120 volt outlet**
- **Do not plug into or use the unit on unstable power services**

Over and under voltages can damage the unit and possibly cause a fire.

HOSES CONNECTION

Hoses may contain refrigerant under pressure. Before disconnecting the quick coupler verify the corresponding pressure in the service hoses (gauge).

SAFETY DEVICES

The machine is equipped with the following safety devices:

SAFETY PRESSURE SWITCH: Stops the compressor in case of excessive pressure.

SAFETY VALVE: Opens when the pressure inside the system reaches a level of pressure above the estimated limits.

MAIN SWITCH: Connects and disconnects machine AC electrical power. Disconnect main power cord from electrical power source before servicing.

ANY KIND OF TAMPERING OF THE SAFETY DEVICES MENTIONED ABOVE IS NOT ALLOWED.

REFRIGERANT AND LUBRICANT - PERSONAL PROTECTIVE EQUIPMENT AND PRECAUTIONS

⚠Warning

Risk of personal injury



- **Handle refrigerants and pressure vessels with caution.**
- **Wear safety glasses, gloves, and suitable clothing.**
- **Avoid contact with the skin.**

Contact with refrigerant can cause health risks, blindness, and other physical damage (frostbite).



Risk of equipment damage and personal injury

- **Should be operated by certified personnel.**
- **Do not remove the seals of the safety valves and control systems.**
- **Do not use external tanks or other storage containers that are not approved.**
- **Do not block air vents and ventilation equipment.**

Improper use of equipment can cause equipment damage and personal injury.



PRECAUTIONS FOR HANDLING AND USE OF R134a OR R1234yf FLUIDS

⚠Warning

Risk of personal injury. Risk for handling pressurized R134a or R1234yf containers

- **Avoid inhaling highly concentrated vapors.**
- **Avoid use of R134a or R1234yf near open flames and incandescent elements.**
- **Wear protective garments such as to ensure that no jets of liquid or gas can come into contact with the skin.**
- **Wear goggles to avoid contact with the eyes.**
- **Avoid dispersing the R134a or R1234yf refrigerant fluid utilized in the machine into the atmosphere.**

Mishandling of pressurized R134a or R1234yf containers can cause loss of Consciousness, injury or death.

INTRODUCTION

Model No. ECO NEXT ONE, ECO NEXT ONE HYBRID, ECO NEXT ONE HFO are ETL Laboratories approved, in compliance with SAE J2788 and J2843. We are dedicated to solving the issues surrounding the safe containment and proper management of refrigerants. Your new machine incorporates the latest technology and state of the art features to aid you in servicing R134a or R1234yf air conditioning and refrigeration systems. We hope you get as much enjoyment using this equipment as we did designing and building it.

CERTIFICATION

All technicians opening the refrigeration circuit in automotive air conditioning systems must now be certified in refrigerant recovery and recycling procedures to be in compliance with Section 609 of the Clean Air Act Amendments of 1990. For information on certification call MACS Worldwide at (215) 631-7020.

ABOUT THIS MANUAL

⚠CAUTION



This manual includes a safety summary, machine preparation for use, operation procedures, and maintenance instructions, for your Air Conditioning Service Center.



Anyone intending to use the machine should become familiar with ALL the information included in this manual (especially the safety summary) before attempting to use it.

Before operating this machine for the first time, perform all preparation for use instructions.

If your new machine is not properly prepared to perform a service, your service data could be erroneous. In order to properly perform a complete air conditioning service, follow all procedures in the order presented. Please take the time to study this manual before operating the machine. Then keep this manual close at hand for future reference. Please pay close attention to the safety summary and all warnings and cautions provided throughout this manual. To activate the published warranty, mail the attached warranty card.

⚠CAUTION



The machine is intended for indoor use only.

ABOUT YOUR AIR CONDITIONING SERVICE CENTER

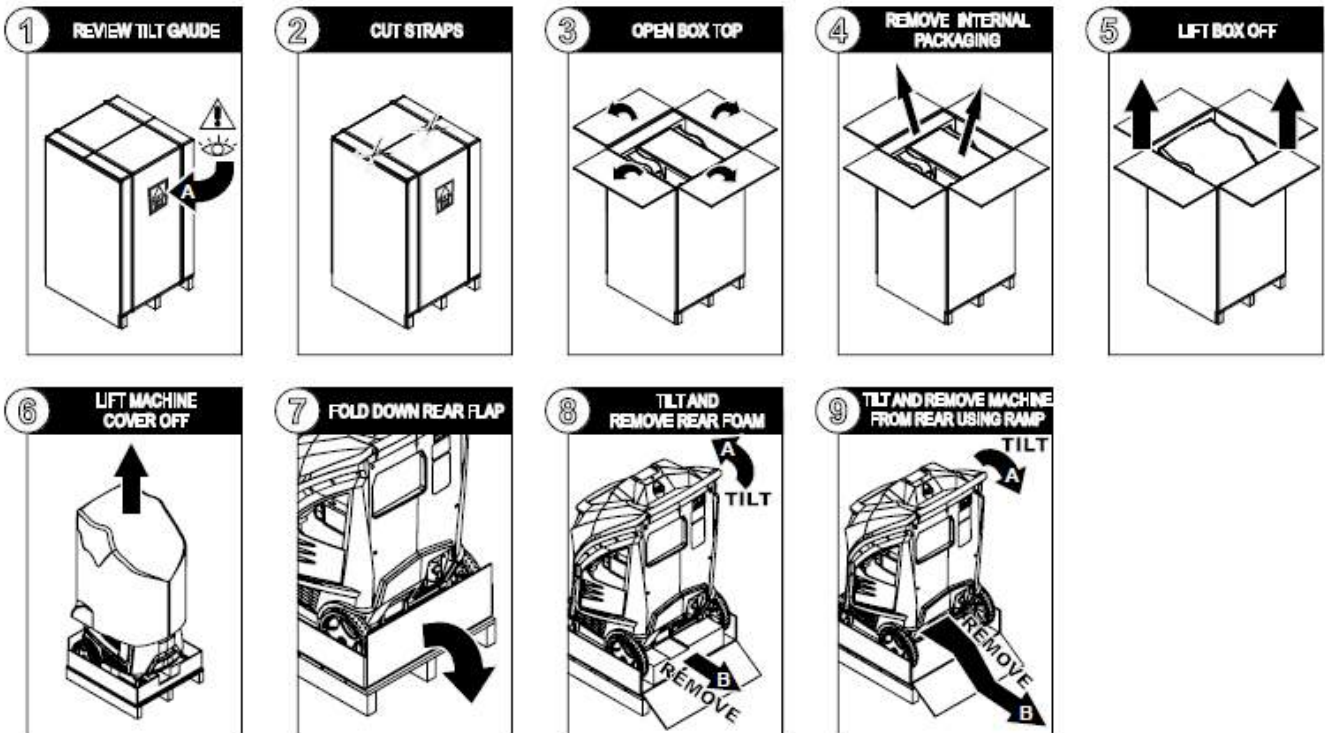
Your machine incorporates a highly accurate electronic scale for determining charging weights, etc. Other functions can also be performed with the electronic scale as you will discover during the operating procedures. Either standard or metric units of measure can be selected. This machine is a piece of equipment designed to recover R134a or R1234yf from air conditioning systems (A/C) for vehicles, to operate within the objectives of the Montreal Protocol.

CONDITIONS OF WARRANTY

Refer to CONDITIONS OF WARRANTY booklet supplied with the machine.

- 1 Review tilt gauge and accessory kit seal
- 2 Cut straps
- 3 Open box top
- 4 Remove internal packaging
- 5 Lift box off
- 6 Lift machine cover off
- 7 Fold down rear flap
- 8 Tilt and remove rear foam
- 9 Tilt and remove machine from rear using ramp

UNPACKING INSTRUCTIONS



NOTE: Keep the original packaging, and reuse it for further transport

NOTE: use the handle (ref.7, Fig.9) to move the machine.

GENERAL INFORMATION

Machine model information are printed on the data plate (see Fig.1). General features of the machine::

Height: 1080 mm Width: 660 mm
 Depth: 690 mm Weight: 63 kg
 Operating temperature 10/50°C Storage temperature -25/+50°C

Voltage (V)	Power (W)	Frequency (Hz)
110	1100	50/60

Like any equipment with moving parts, the machine inevitably produces noise. The construction system, paneling, and special provisions adopted by the Manufacturer are such that during work the average noise level of the machine is not in excess of 64 dB (A).

CAUTION: avoid the use of external extensions and verify that all electrical systems and devices connected comply with the regulations in force and in good state of preservation

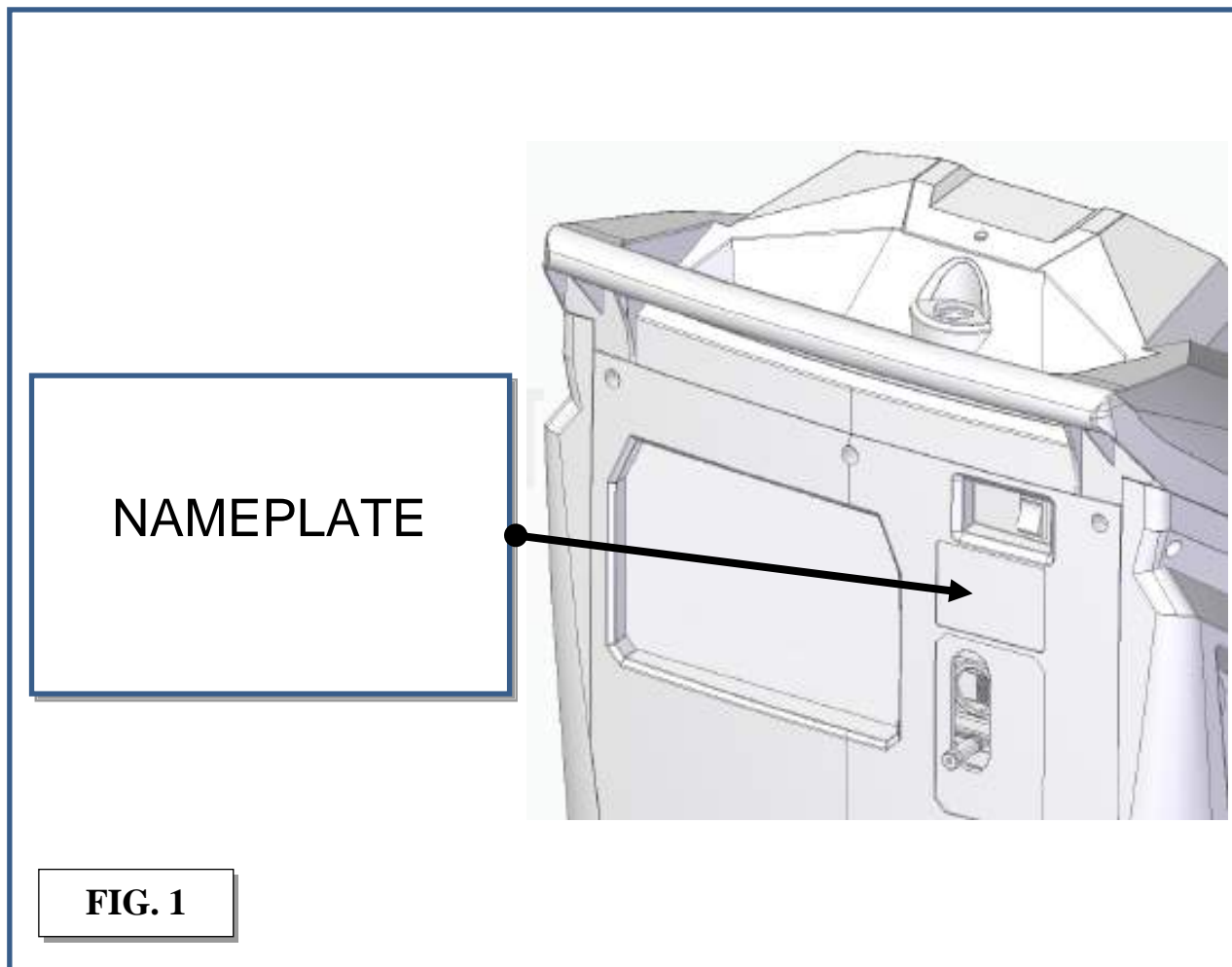


FIG. 1

PRINCIPLES OF OPERATION

In a single series of operations, the machine permits recovering and recycling refrigerant fluids (R134a for ECO NEXT ONE and ECO NEXT ONE HYBRID or R1234yf for ECO NEXT ONE HFO, depending on machine model) with no risk of releasing the fluids into the environment, and also permits purging the A/C system of humidity and deposits contained in the oil.

The machine is in fact equipped with a built-in evaporator/separator that removes oil and other impurities from the refrigerant fluid recovered from the A/C system and collects them in a container for that purpose.

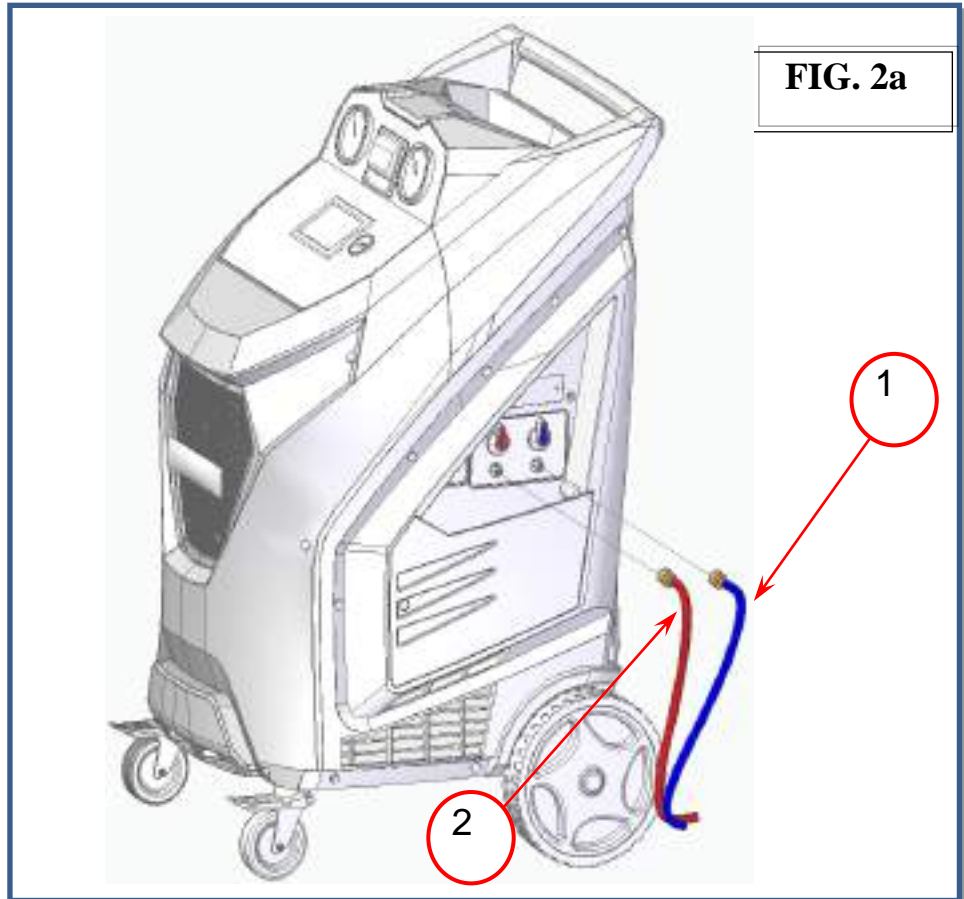
The fluid is then filtered and returned perfectly recycled to the bottle installed on the machine.

The machine also permits running certain operational and seal tests on the A/C system.

SETUP

HOSES MOUNTING

Referring to Figure 2a, mount the hose (ref.1 Fig 2a) with the BLUE quick-connect coupling on the male threaded connector indicated by the BLUE LOW PRESSURE symbol and the RED (ref.2 Fig 2a) quick-connect coupling on the male threaded connector indicated by the RED HIGH PRESSURE symbol.



RELEASE REFRIGERANT SCALE

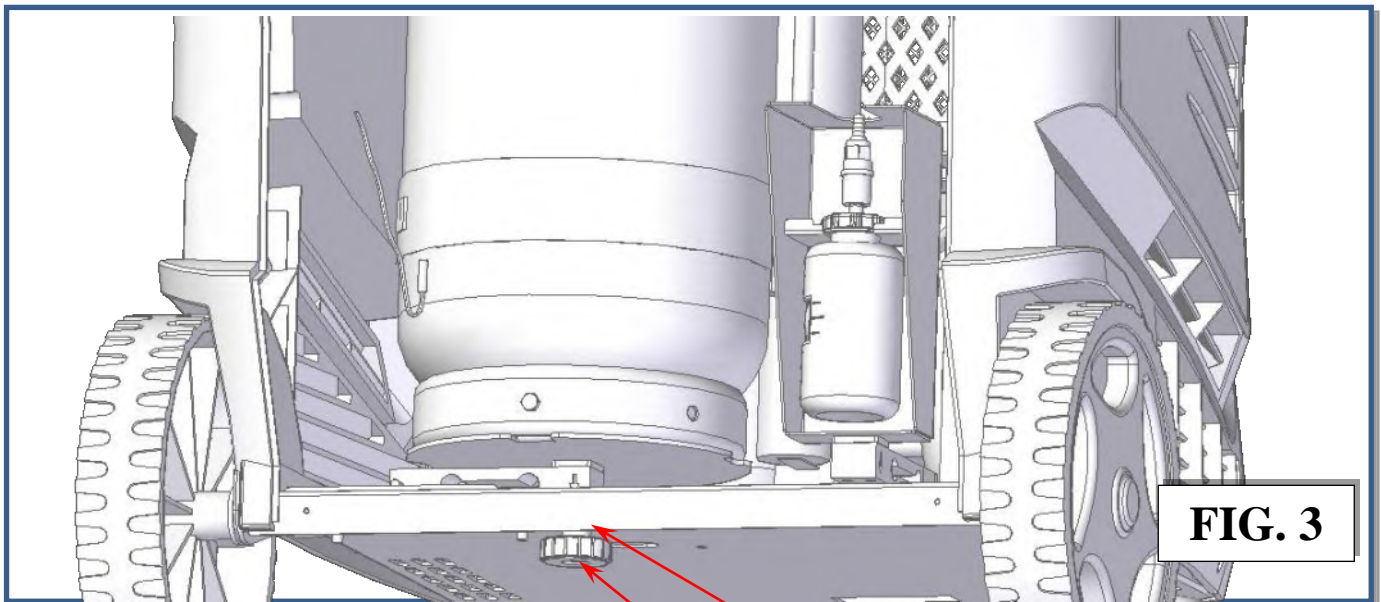
1. In order to remove the protections under the refrigerant scale the locking nut has to be untightened (ref.1, Fig.3), the knob (ref.2, Fig.3) has to be unscrewed, removed and stored in a safe place.
2. Connect the machine to the electrical supply and switch it on
3. Check if the value of refrigerant scale is correct.

LOCK REFRIGERANT SCALE

NOTE: in the event that the equipment has to be transported, the refrigerant bottle scale should be locked in place as follows:

1. Switch the machine on.
2. Tighten the knob (ref.2, Fig.3) until the display signals ZERO availability. Tighten the nut (ref.1, Fig.3)

NOTE: Check that the oil containers are properly placed in their housing



1

2

THE MACHINE

PLASTIC COVER

Refer to Fig.4.

1. Front plastic cover
2. Rear plastic cover
3. Upper plastic cover

Disassembly: Screw off screws marked (+)

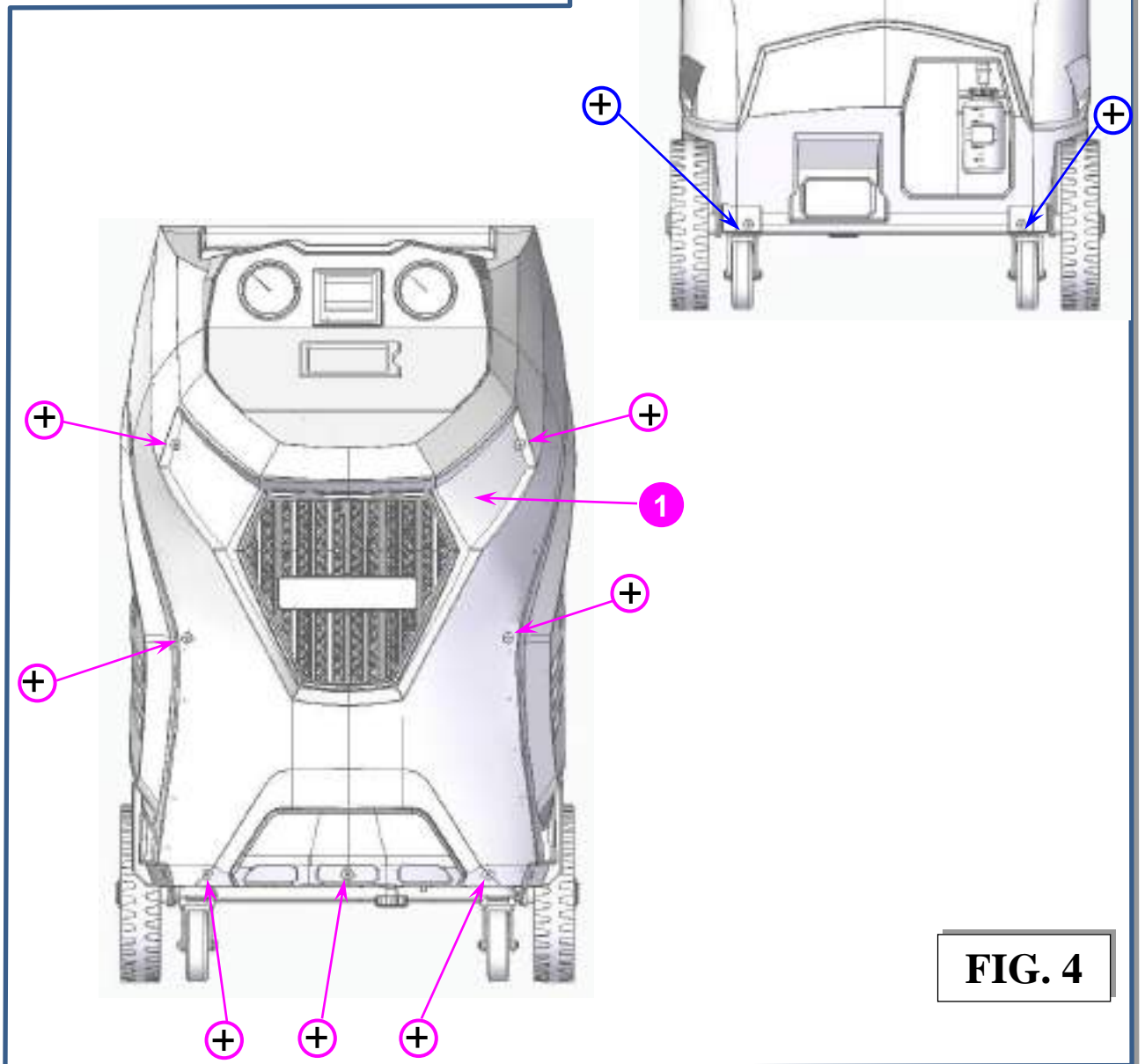
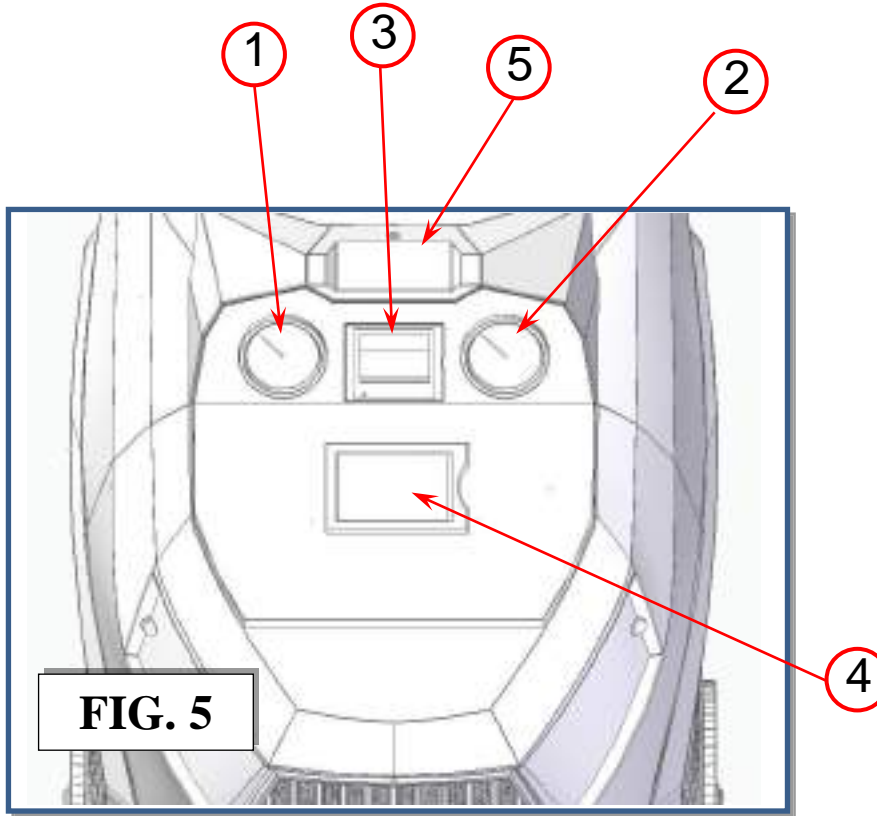


FIG. 4




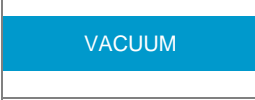
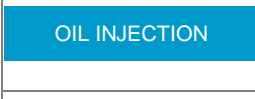






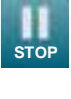

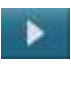
CONTROL PANEL

Refer to Fig.5:

- 1) High pressure gauge
- 2) Low pressure gauge
- 3) Printer
- 4) 5" touchscreen display
- 5) Status light



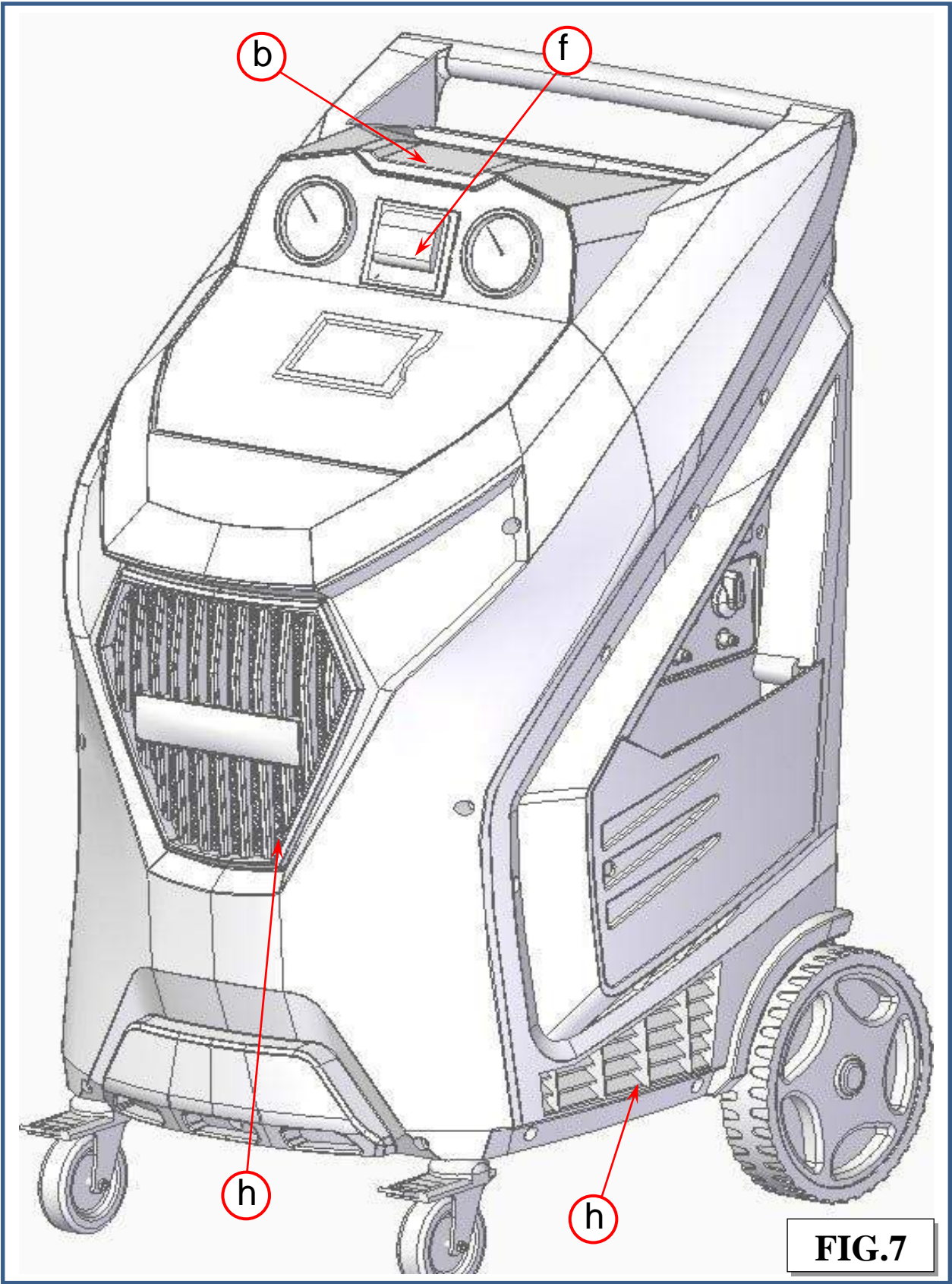
DISPLAY ICONS

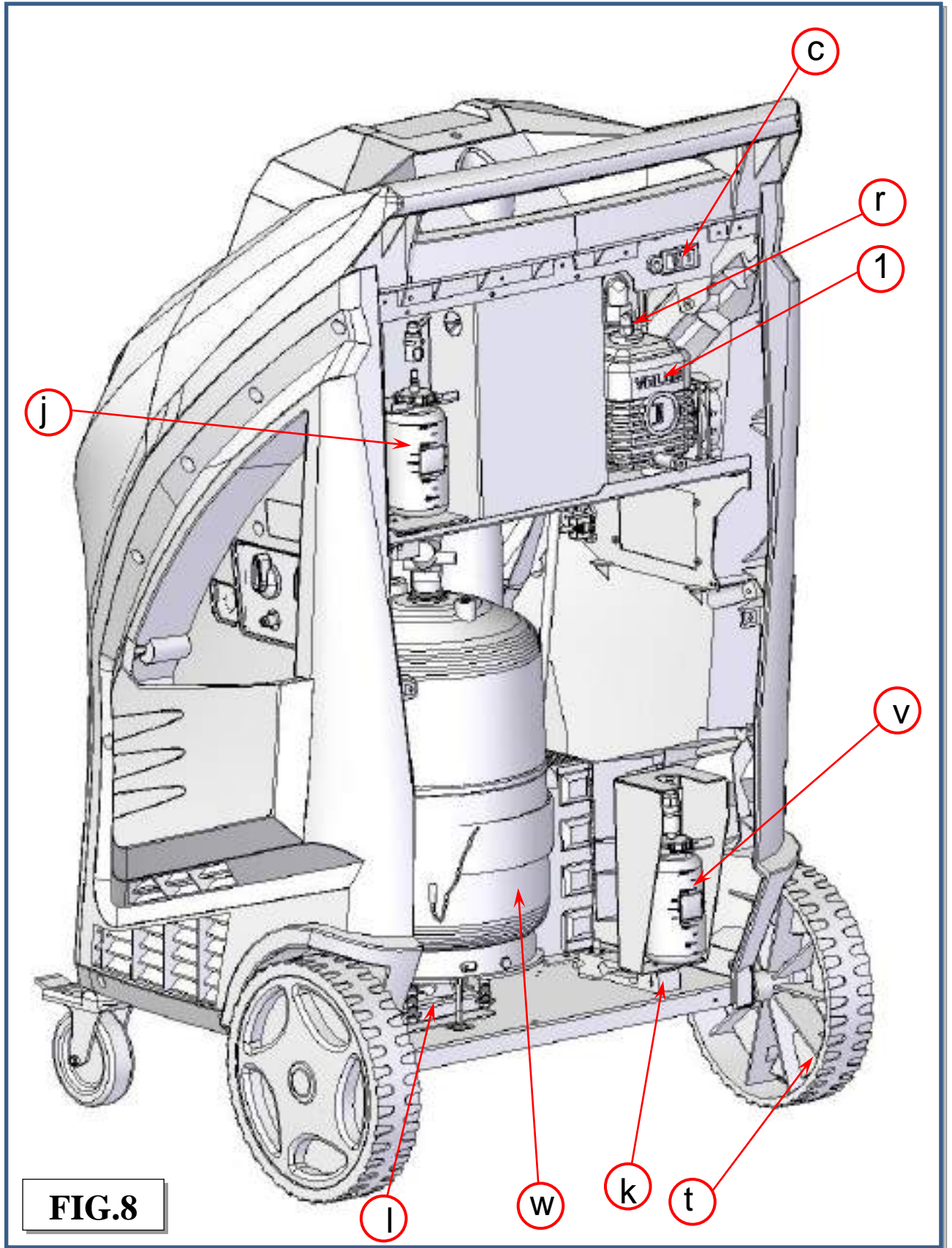
ICON	DESCRIPTION	FUNCTION
	AUTOMATIC PROCEDURE	activates a menu that helps the user set up an automatic recover/vacuum/leak test/charge sequence.
	MANUAL PROCEDURE	activates a menu that helps the user to perform a manual operation:
	STANDARD RECOVERY	activates a menu that helps the user to perform a recovery/recycling phase (without SAE J-2788 or SAE J-2843 compliance)
	VACUUM	activates a menu that helps the user to perform a vacuum phase
	OIL INJECTION	activates a menu that helps the user to perform a oil injection followed by a gas filling phase
	GAS CHARGE	activates a menu that helps the user to perform a gas CHARGE phase
	SETUP	activates the setup menu of the service station
	MAINTENANCE	activates the maintenance menu of the service station
	INFO	activates a menu that contains all the information of the service station
	ENTER	Enter symbol, to confirm
	BACK	Back symbol, to return back without confirm
	STOP	Stop symbol, to stop a phase
	PRINT	Print symbol, to print data
	ARROW	Arrow symbol, to move in the menu

BASIC COMPONENTS

Refer to Fig.7, Fig.8, Fig.9, Fig.10, Fig.11, Fig.12, Fig.13:

- a) USB port
- b) Status light
- c) Main switch
- d) Gas analyzer (ECO NEXT ONE HFO only)
- e) HP HYBRID CONNECTION (ECO NEXT ONE HYBRID and HFO only)
- f) Printer
- g) LP HYBRID CONNECTION (ECO NEXT ONE HYBRID and HFO only)
- h) Ventilation grid
- i) CONTAMINATED PURGE CONNECTION (HFO only)
- j) Oil cartridge
- k) Oil scale
- l) Tank scale
- m) Condenser + Fan
- n) Front swirling wheel
- o) Manifold
- p) Capsizable control panel
- q) ---
- r) Oil pump filling cap
- s) Refrigerant tank lock knob
- t) Rear wheel
- u) New oil container (ECO NEXT ONE only)
- v) Used oil container
- w) Refrigerant tank
- x) ---
- y) ---
- z) Dryer filter
- 1) Vacuum pump
- 2) Compressor
- 3) LP manual valve
- 4) HP manual valve
- 5) LP quick connection
- 6) HP quick connection
- 7) Handle
- 8) ----
- 9) Motherboard





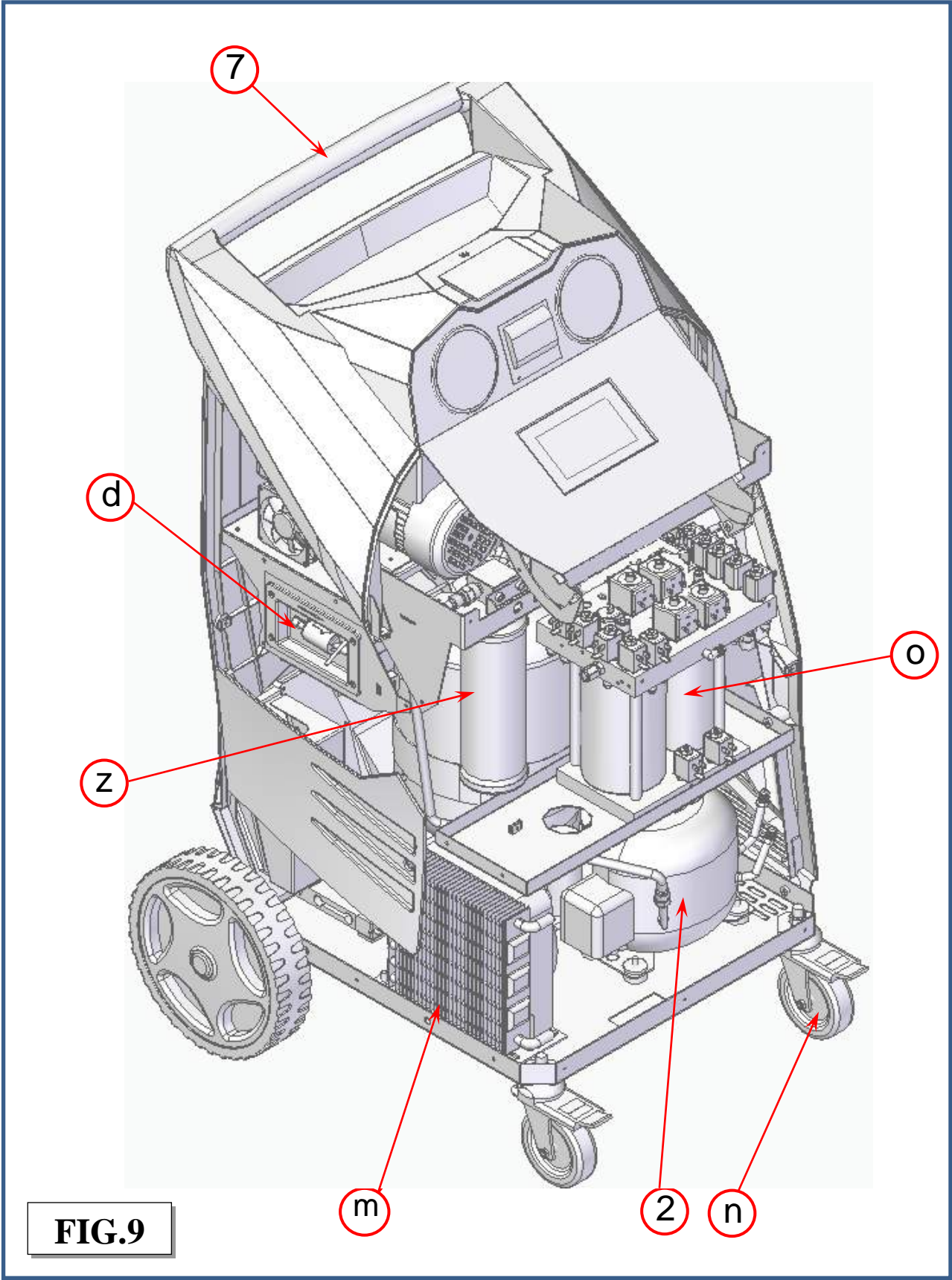
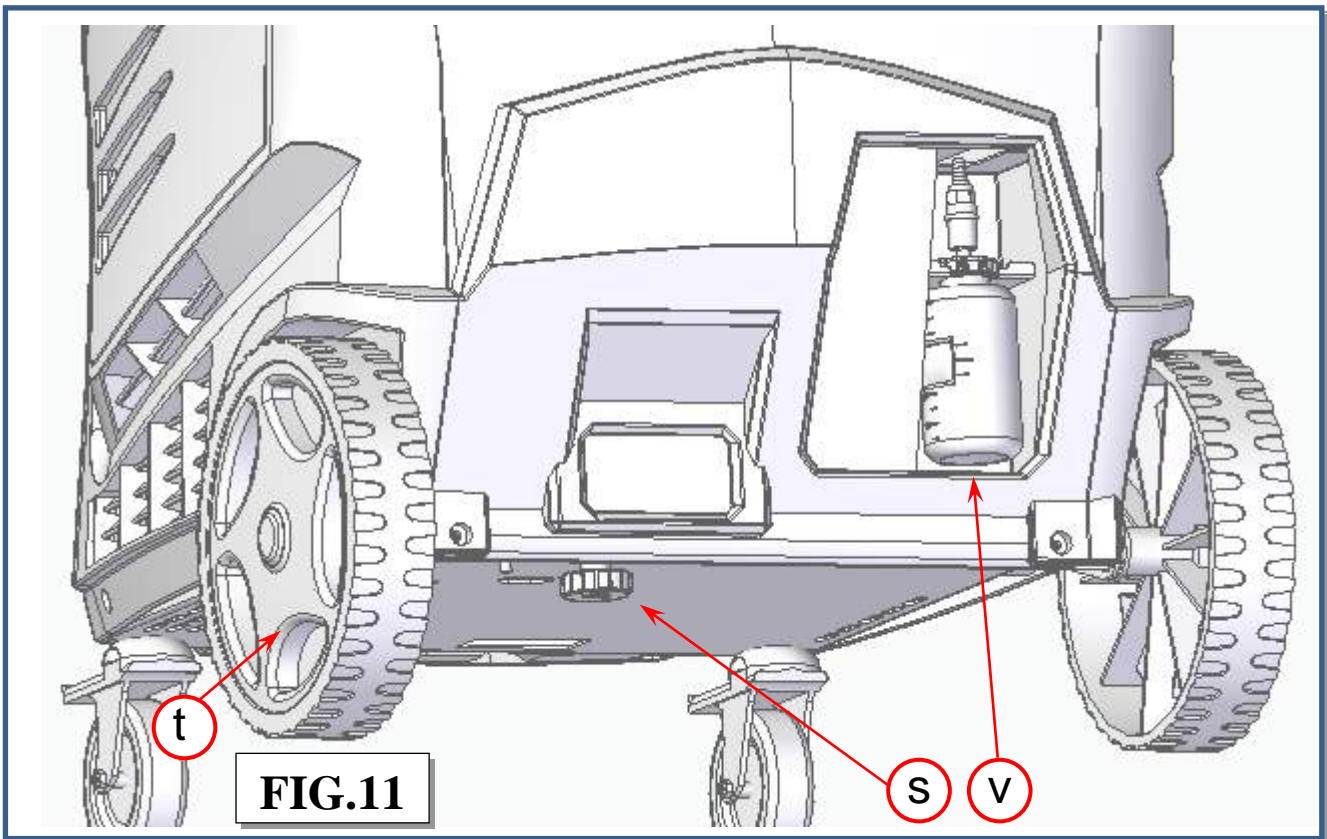
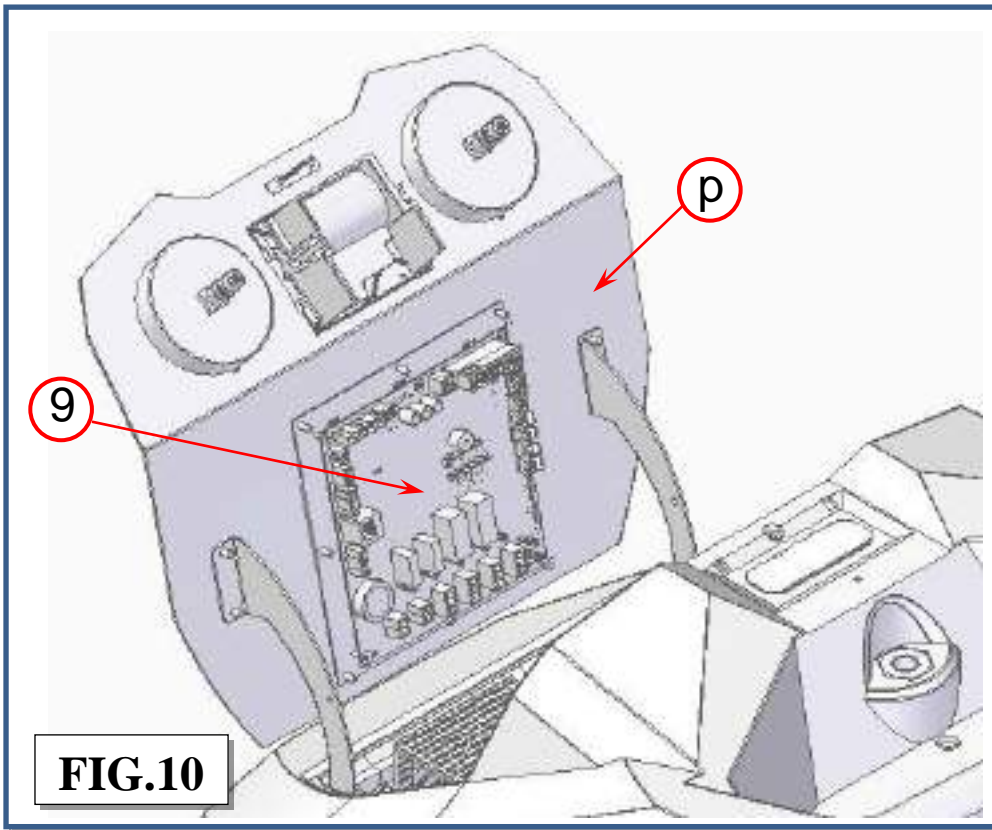


FIG.9



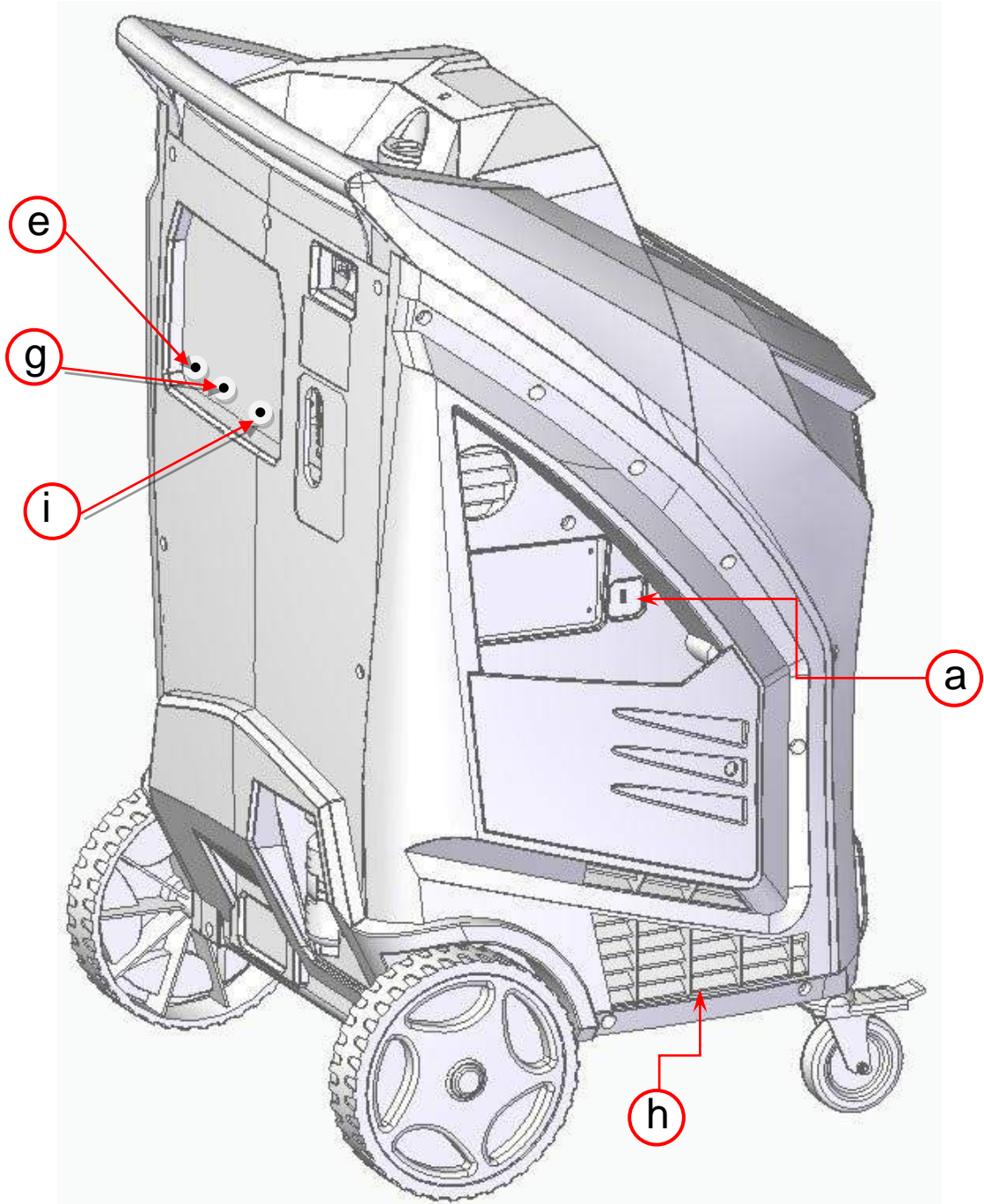


FIG.12

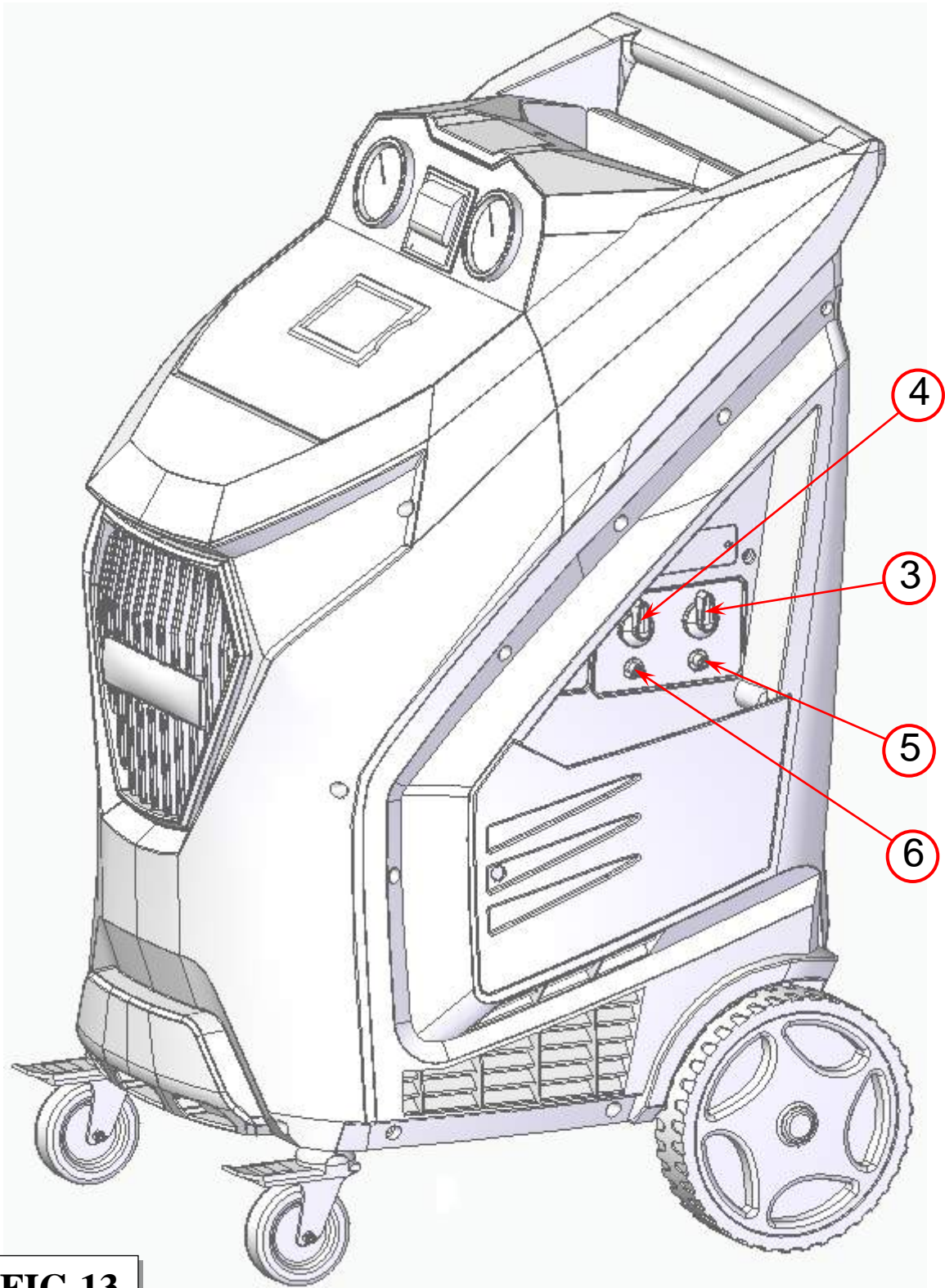


FIG.13

LIGHT SIGNALS

The machine is provided with a STATUS Light (ref b, Fig. 7).

Light signals are the following:

- GREEN (STEADY): Unit ready
- GREEN (FLASHING): Action completed
- YELLOW: Unit working
- RED: Needs attention or there is a problem

ALARMS

HIGH PRESSURE ALARM: Beeper advise when the pressure of the fluid in the circuit is too high (20bar). The recovery operation is automatically interrupted.

TANK FULL: Beeper advise when the tank is filled to more than 80% of maximum capacity (10kg for 12l tank). The RECOVERY operation is automatically interrupted (to cancel this alarm, charge one or more A/C systems before recovering any more refrigerant).

TANK EMPTY: Beeper advise when the quantity of refrigerant fluid contained in the tank is low (less than 2kg)

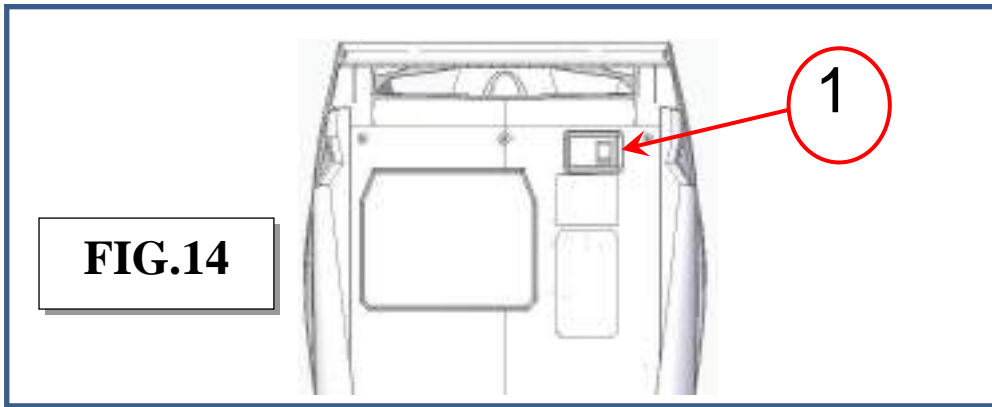
SERVICE ALARM: Beeper advise whenever the total recovered refrigerant amounts to 70 kg for R134a or 140 kg for R1234yf. To deactivate the alarm, replace the filters and the vacuum pump oil. A code for canceling the alarm is supplied with the spare filters.

ERROR CODES

- System leaks
- Presence of refrigerant into the a/c system
- Low vacuum
- Empty oil container
- Low gas availability
- Vacuum leaks (a/c system flushing)
- Pressure leaks (a/c system flushing)
- System empty
- Communication error
- Low oil volume
- Check connections
- Empty external bottle
- High pressure alarm

PRELIMINARY OPERATIONS

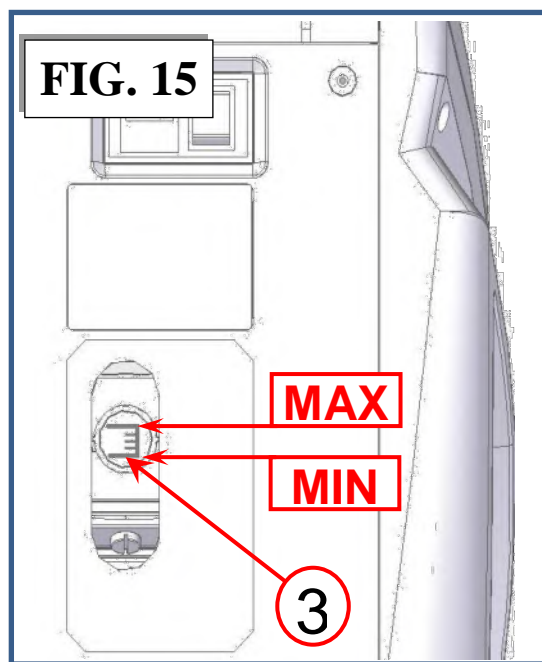
Check that the main switch (ref.1, Fig.14) is set to O. Connect the machine to the electrical supply and switch on.



1 The user can verify the all data of the machine:

- Check that the OIL containers aren't empty, if necessary operate the substitution as described in ORDINARY MAINTENANCE section.
- Check that the oil level in the used oil container is < 200 cc, if necessary empty it as described in ORDINARY MAINTENANCE section.
- Check on the machine display that there are at roughly 2 kg of refrigerant in the tank. Should this not be the case, fill the on-board machine tank from an external tank of appropriate refrigerant following the procedure described in the TANK FILLING (ORDINARY MAINTENANCE)

Check that the vacuum pump oil level indicator (ref.3, Fig.15) shows at least one-half full. If the level is lower, add oil as explained in the MAINTENANCE section.



QUICKSETUP

NOTE : The QUICKSETUP is shown after the activation of the machine

The first time the machine is used, a quicksetup guide appears: the operator is guided through the steps described at the start of the PRELIMINARY OPERATIONS section. The quicksetup can also be found in the SETUP MENU, select QUICKSETUP. The following screen is displayed:



Press ENTER to proceed with QUICKSETUP, the user will be guided through the following steps:

- Language
- Measure units
- License plate recording
- Date and time
- Setup header print
- Vacuum settings
- Leak check test
- Tank filling

Follow the instructions displayed. At the end of the procedure, press ENTER to print a summary report of the guided procedure. Press ESC to exit.

NOTE: If the guided procedure is not completed, it will be displayed again the next time the machine is switched on.

NOTE: To display the QUICKSETUP at any time, select from the menu of the same name under SETUP.

AUTOMATIC PROCEDURE

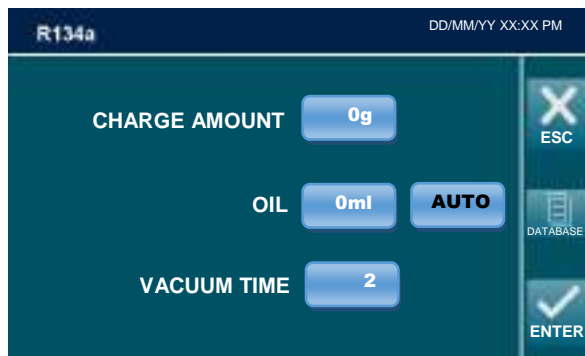
In the automatic mode, all the operations are performed automatically: recovery and recycling, oil discharge, vacuum, new oil reintegration, and charging. The values for the quantity of gas recovered, quantity of oil recovered, vacuum time, quantity of oil reintegrated, and quantity of gas charged into the system are displayed and printed (optional) at the end of each single operation.

Connect the hoses to the A/C system with the quick-connect couplings bearing in mind that BLUE must be connected to the low-pressure side and RED to high pressure. If the A/C system is equipped with a single quick-connect coupling for high or low pressure, connect only the relative hose.

From the MAIN MENU:



Select the AUTOMATIC PROCEDURE , the following screen is displayed:



EDIT VACUUM DATA:

Use the KEYPAD to insert the new value of the VACUUM TIME, press ENTER to confirm, ESC to return back.

NOTE: use the VACUUM SETTING to change the duration of the LEAK CHECK.

EDIT OIL DATA (ECO NEXT ONE only):

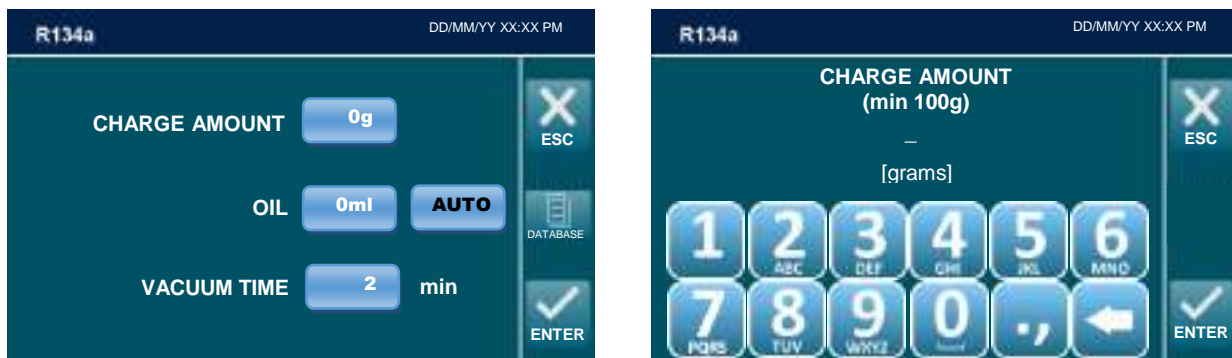
Select the OIL display zone, then use the keys 0 to 9 to type the volume of oil to be injected, or select AUTO to reintegrate the same quantity of oil extracted during Recovery.



EDIT GAS FILLING DATA:

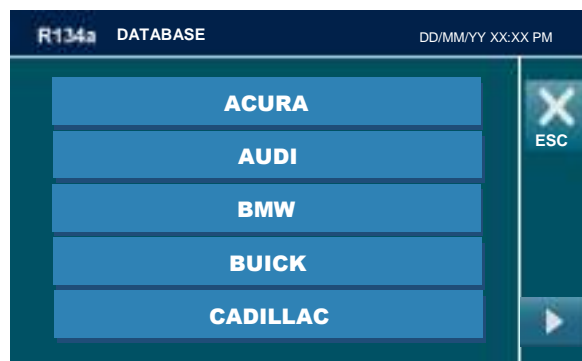
NOTE: For most systems the quantity of fluid to be refilled is indicated on a plate that is in the vehicle's engine compartment. If this quantity is not known, look for it in the relevant manuals.

Select CHARGE AMOUNT **0g**, then use the touchscreen keys 0 to 9 to type the quantity (in grams) of refrigerant to be charged into the A/C system.

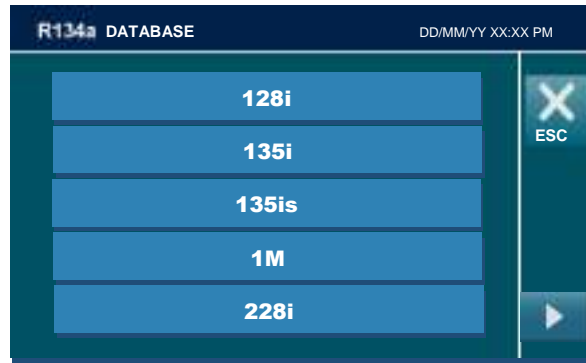


Or, in installed, press DATABASE button, the following screen will be displayed:

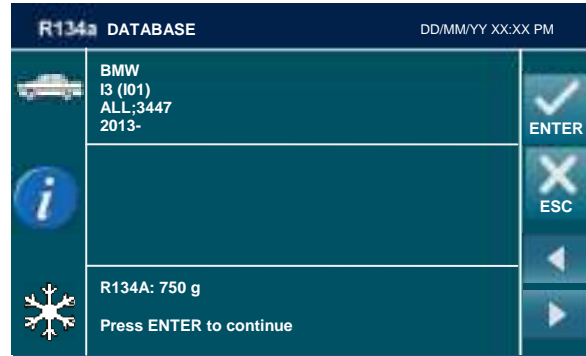
Select the vehicle typology



Select the brand of vehicle you are servicing, (use the arrow keys to change page if necessary), the following screen is displayed (i.e. for BMW):

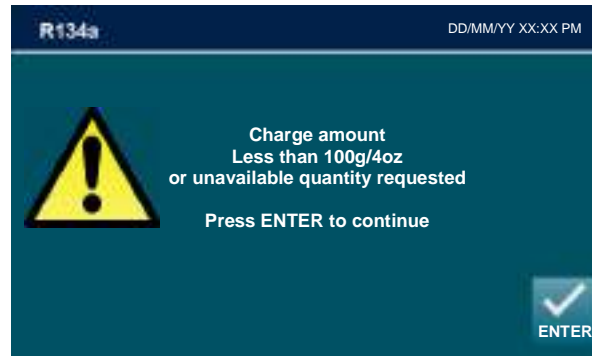


Select the model of vehicle you are servicing. (If you wish to install DATABASE contact the machine dealer.), all the information about this model is displayed:



Press ENTER to confirm, and insert the value into the GAS FILLING field.

NOTE: if gas filling is lower than 100 grams the following popup warning will be displayed:




Gas filling lower than 100 grams is not allowed, press ENTER then digit an higher amount of gas filling.

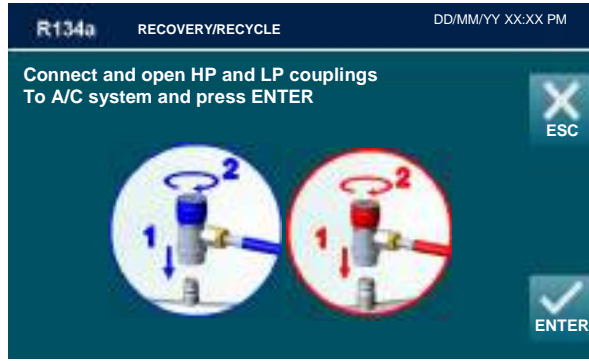
START AUTOMATIC PROCEDURE:

After selected all the procedure data, press ENTER to continue.

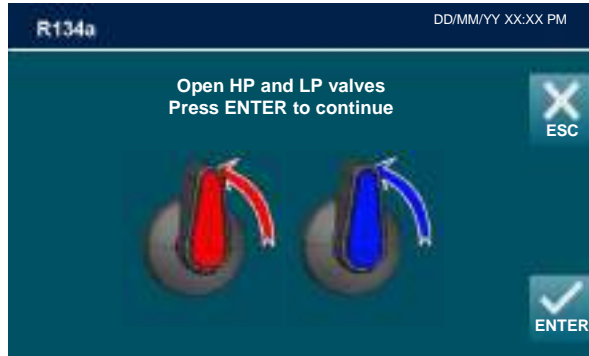
NOTE: if ECO NEXT ONE HFO or with analyzer enabled, the gas analysis will be performed before recovery

NOTE: the STOP button  literally pause the running procedure. From the pause it is possible to exit to the main menu from all the procedure except the recovery and the charge ones. This because by not completing a recovery procedure it is possible that some refrigerant remain in the internal circuit and it may compromise the next procedure. In the final phase of the charge the procedure hasn't to be paused or stopped to avoid to compromise the precision of the procedure.

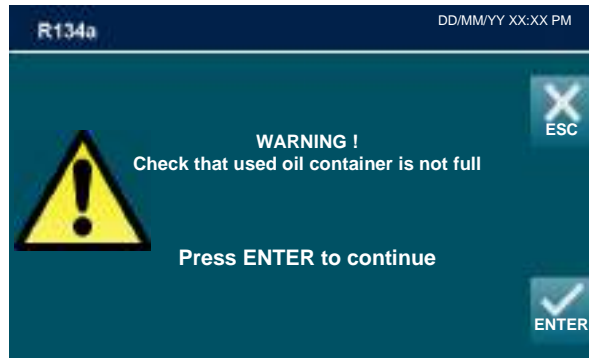
AUTOMATIC PROCEDURE will start, and the following screen will be displayed:



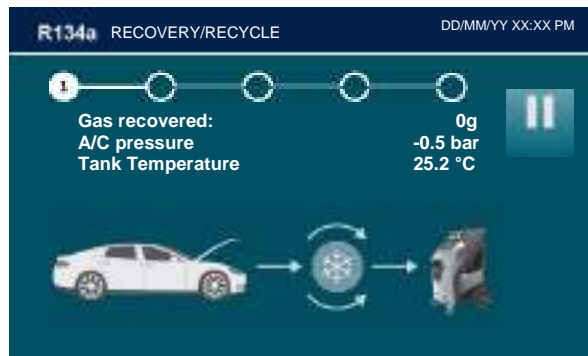
Connect and open the coupling connected to the A/C system, then press ENTER, press ESC to return back



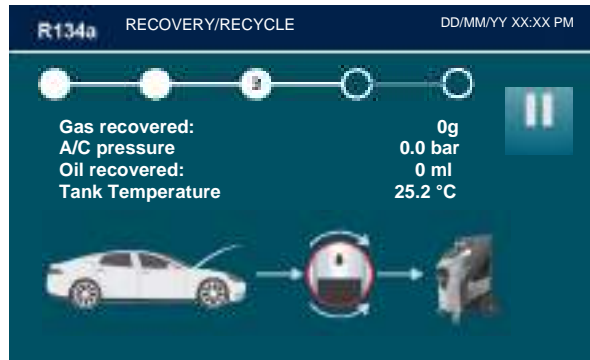
Open HP and LP valves press ENTER to continue,
The following screen will be displayed reminding you to check if the used oil container is not full.



Press ENTER



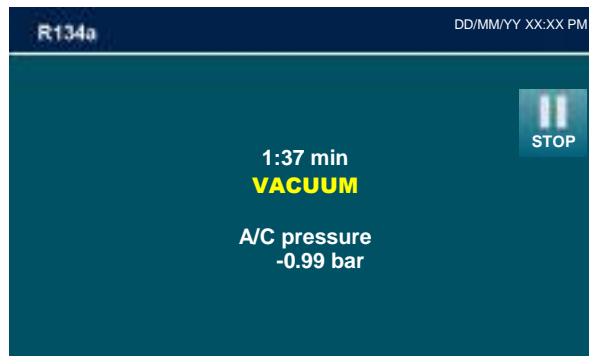
During the recovery phase, the machine displays the quantity of refrigerant recovered, in grams. Upon completion of recovery, the machine will stop and discharge, while automatically displaying the used oil extracted from the A/C system during the recovery phase. The oil discharge operation lasts 4 minutes.



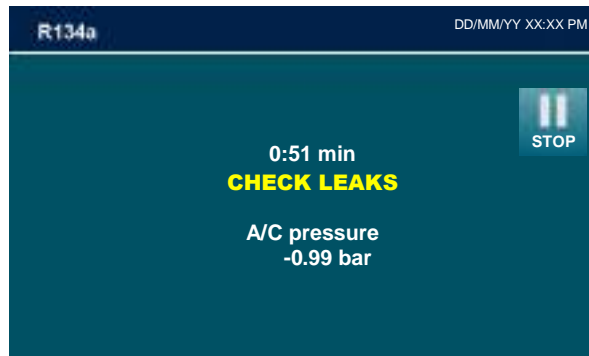
The machine checks whether or not there is air in the tank and, if necessary, purges the non-condensable gas; The machine will automatically discharge any non-condensable gas.

Allowing the machine to fully complete the procedure will reduce the risk of return flows, which may cause excessive non-condensable gas to be recharged into the air conditioning system. If any residual refrigerant in the A/C system should increase in pressure during this phase, the machine will automatically begin recovering the refrigerant.

Completed the recovery phase, the machine automatically goes on to running the vacuum phase for the preset time:



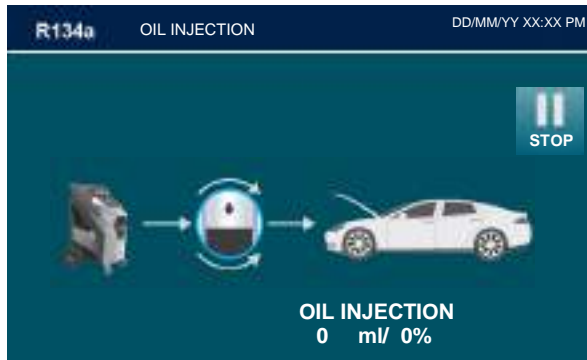
At the end of this phase, the machine will test for leaks in the A/C system:



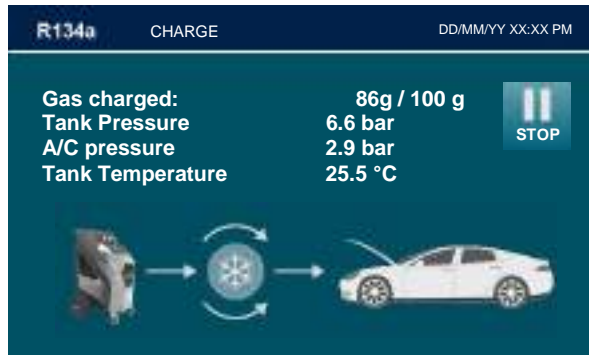
(WARNING! If vacuum time < 15 minutes this test is not reliable). If leaks are found, the machine will stop automatically and display the A/C SYSTEM LEAKS alarm.

Detection of micro-leaks is not guaranteed.

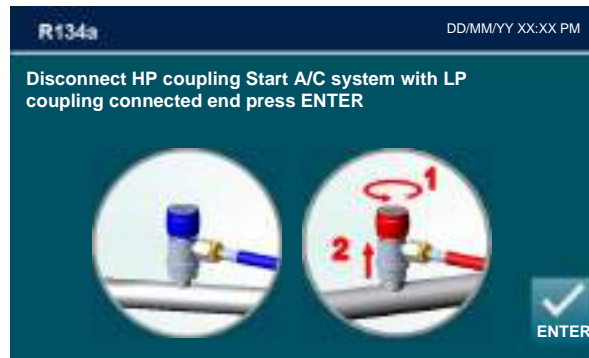
Upon completion of the vacuum phase, new oil will be automatically reintegrated: the volume will be equal to that of the used oil discharged or to the volume set by the operator.



When completed, the system will go on to charging with the preset quantity of refrigerant.

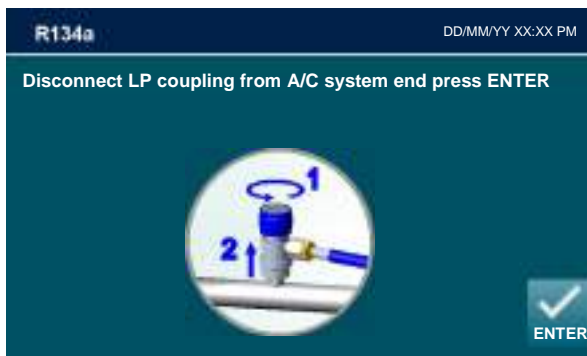


Then the following screen will be displayed.



Disconnect HP coupling. Start A/C system with LP coupling connected, press ENTER

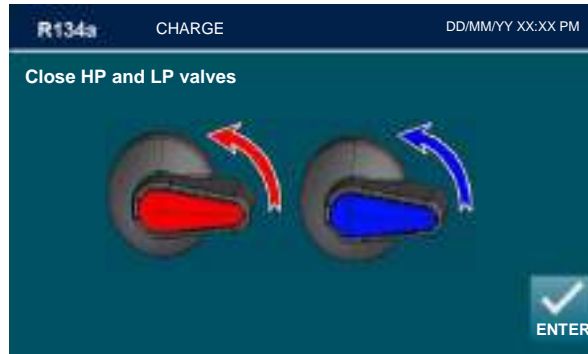
The A/C system will recover the refrigerant into the service hoses, then the following screen will be displayed:



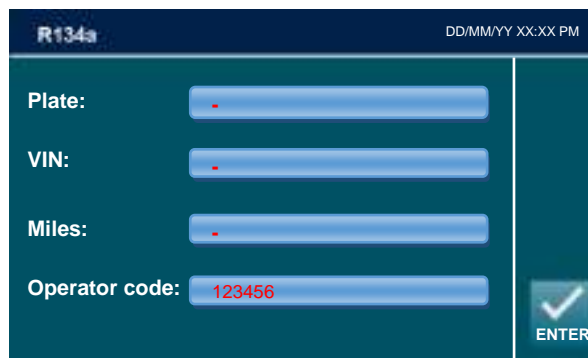
Disconnect LP coupling from A/C system, then press ENTER to continue:



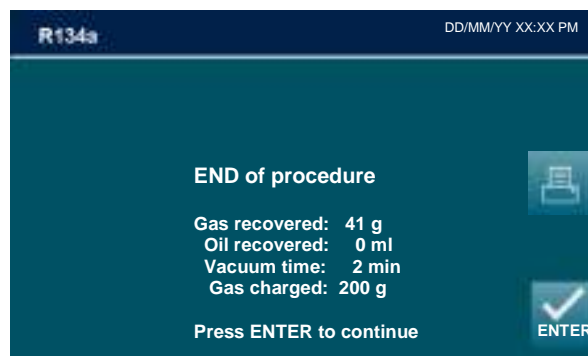
The machine will recover the residual refrigerant into the service hoses, then the following screen will be displayed:



Close HP and LP valves and press ENTER.



You are asked to enter the vehicle's PLATE, the FRAME NUMBER, the KM/Miles and the Operator Code. Press ENTER.



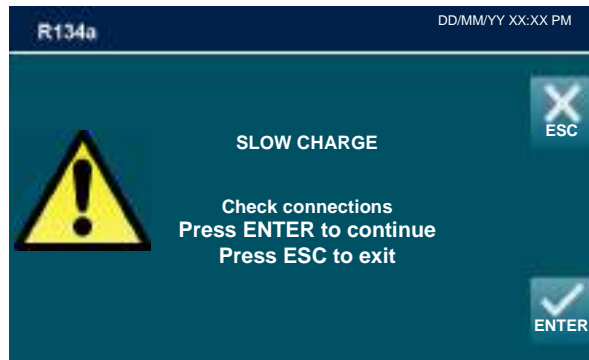
A summary of the amount of gas recovered, oil recovered, minutes of the vacuum phase and the amount of gas charged is displayed.

Press the symbol  for printing

Automatic procedure completed successfully, press ENTER to return to the main page.

NOTE: The automatic procedure may be run even if the A/C system is empty. In this case the machine will begin with the vacuum phase.

NOTE: near the end of the charge could be displayed the following alarm message:



The SLOW CHARGE alarm occurs when the tank pressure and the system pressure equalize (due to low pressure, excessive system temperatures, etc.). Check connections then press ENTER to continue, or press ESC to exit.

MANUAL PROCEDURE

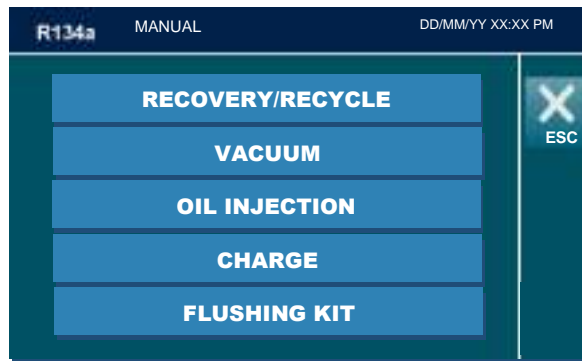
In the MANUAL PROCEDURE, all the operations can be performed singly to the exception of the recovery/recycling phase, which is automatically followed by used oil discharge.

The values for the quantity of gas recovered, quantity of oil recovered, vacuum time, quantity of oil reintegrated, and quantity of gas charged into the system are automatically printed at the end of each single operation.

From the MAIN MENU:




Select the MANUAL PROCEDURE , the following screen will be displayed:



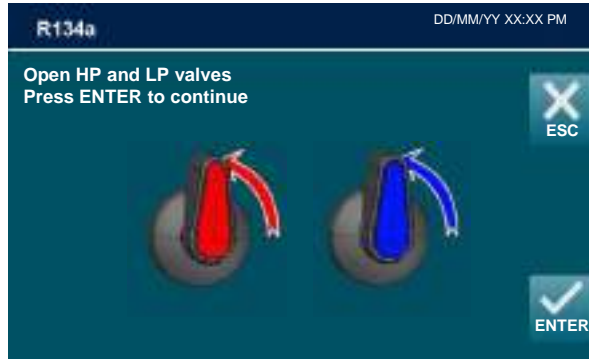
RECOVERY

Connect the hoses to the A/C system with the quick-connect couplings, bearing in mind that BLUE must be connected to the low-pressure side and RED to high pressure.

If the A/C system is equipped with a single quick-connect coupling for high or low pressure, connect only the relative hose.

NOTE: the STOP button  literally pause the running procedure. From the pause it is possible to exit to the main menu from all the procedure except the recovery and the charge ones. This because by not completing a recovery procedure it is possible that some refrigerant remain in the internal circuit and it may compromise the next procedure

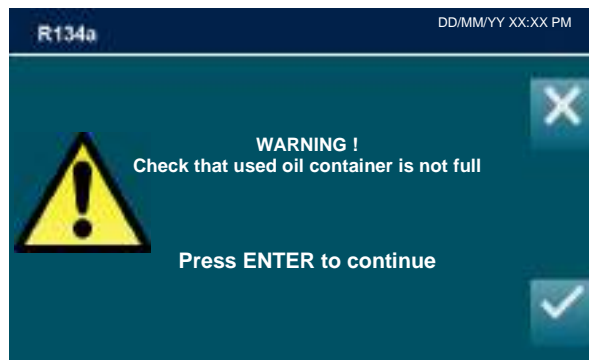
From MANUAL PROCEDURE, RECOVERY/RECYCLE, the following screen will be displayed:



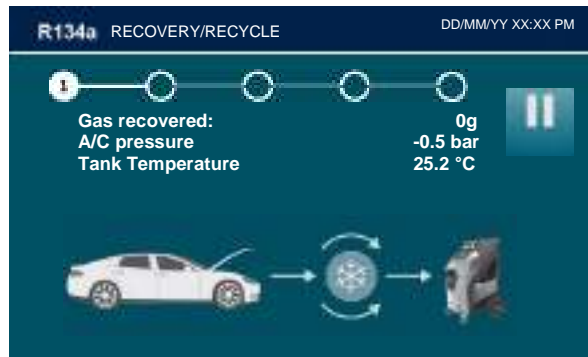
Open HP and LP valves press ENTER to continue

NOTE: if ECO NEXT ONE HFO or with analyzer enabled, the gas analysis will be performed before recovery

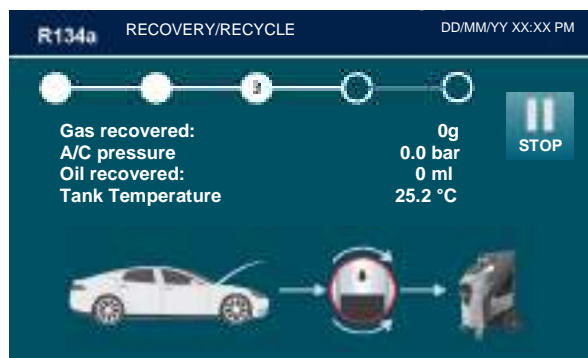
The following screen will be displayed reminding you to check if the used oil container is not full.



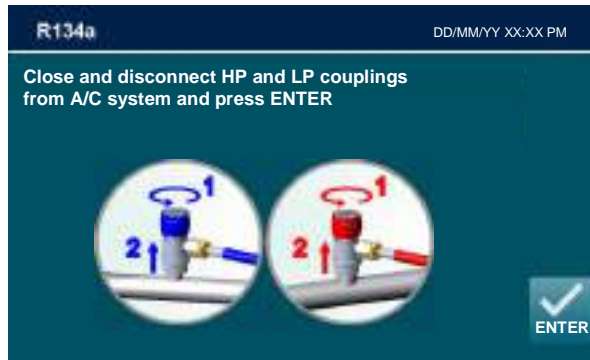
The RECOVERY PROCEDURE will start, and the following screen will be displayed:



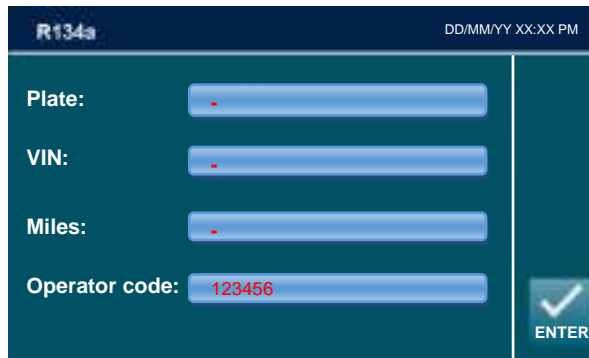
During the recovery phase, the machine displays the quantity of refrigerant recovered, in grams.



Upon completion of recovery, the machine will stop and discharge, while automatically displaying the used oil extracted from the A/C system during the recovery phase. The oil discharge operation lasts 4 minutes



Unscrew and disconnect HP and LP coupling from A/C system end press ENTER.



You are asked to enter the vehicle's PLATE, the FRAME NUMBER, the KM/Miles and the Operator Code. Press ENTER.



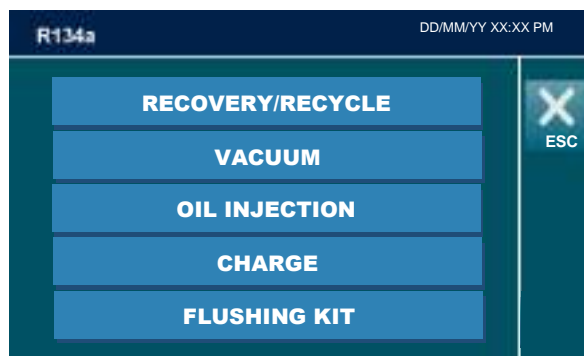
A summary of the amount of gas recovered and oil recovered, is displayed.

Press the symbol  for printing

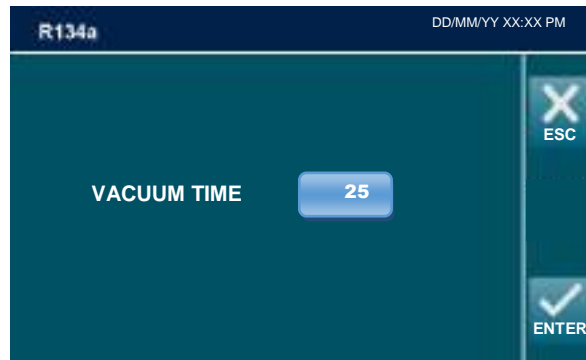
Manual recovery procedure completed successfully, press ENTER to return to the manual operation page.


VACUUM

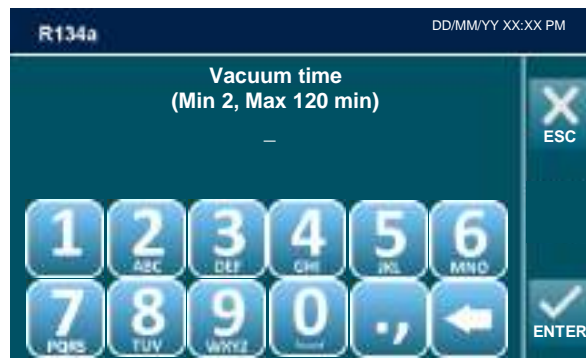
From the MANUAL PROCEDURE, select VACUUM.



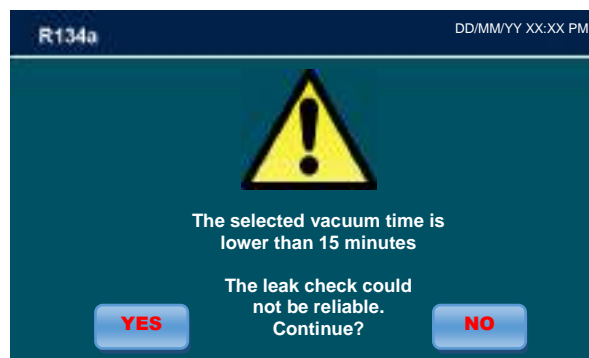
The following screen will be displayed:



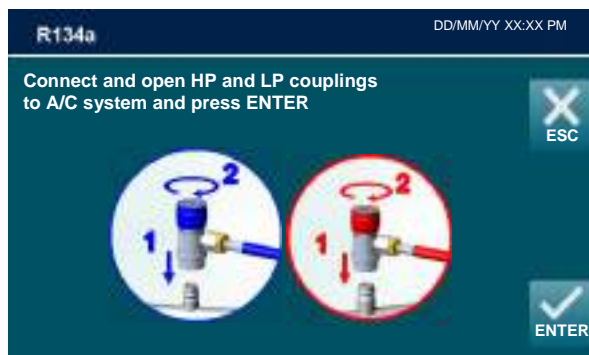
Use the KEYPAD to insert the new value of the VACUUM TIME , press ENTER to confirm, ESC to return back.



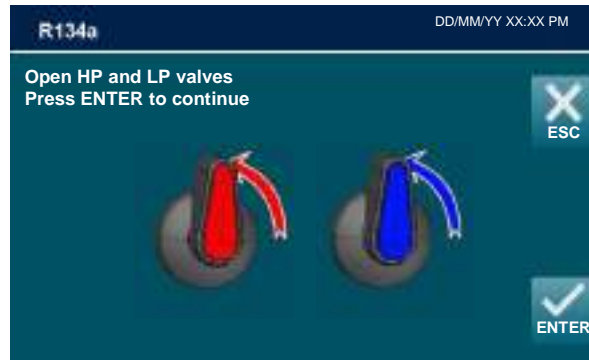
NOTE: if selected VACUUM TIME is lower 15 minutes the following popup warning will be displayed:



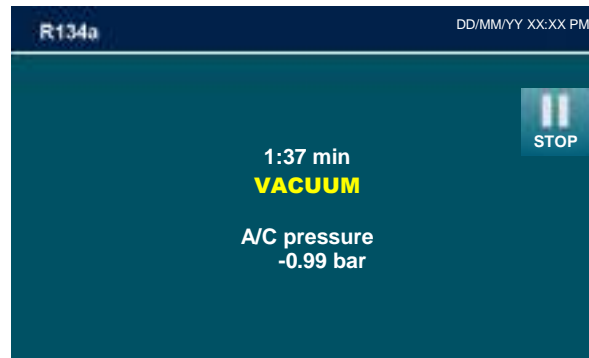
Press YES to continue, or press NO to go back.



Connect and open the coupling connected to the A/C system, then press ENTER to start the vacuum phase, press ESC to return back



Open manual valves and press ENTER.



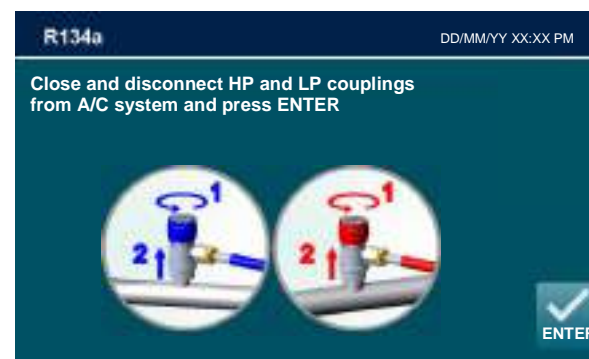
When time of check is reached, the machine will test for leaks in the A/C system:



(WARNING! If vacuum time is lower than 15 minutes this test is not reliable). If leaks are found, the machine will stop automatically and display the A/C SYSTEM LEAKS alarm.

Detection of micro-leaks is not guaranteed.

At the end of the preset vacuum time, the machine will sound and alarm and the following screen will be displayed:



Close and disconnect HP and LP coupling from A/C system, then press ENTER to return to the MAIN MENU; VACUUM PROCEDURE is now successfully completed.

R134a DD/MM/YY XX:XX PM

Plate: -

VIN: -

Miles: -

Operator code: 123456

ENTER

You are asked to enter the vehicle's PLATE, the FRAME NUMBER, the KM/Miles and the Operator Code. Press ENTER.

R134a DD/MM/YY XX:XX PM

END of procedure

Vacuum time: 2 min

Press ENTER to continue

ENTER

A summary of the amount minutes of the vacuum phase is displayed.

Press the symbol  for printing

VACUUM procedure completed successfully, press ENTER to return to the manual procedure page.

OIL INJECTION (ECO NEXT ONE only)

This operation can be carried out ONLY following a VACUUM operation.

From the MANUAL PROCEDURE, select OIL INJECTION:

R134a DD/MM/YY XX:XX PM

RECOVERY/RECYCLE

VACUUM

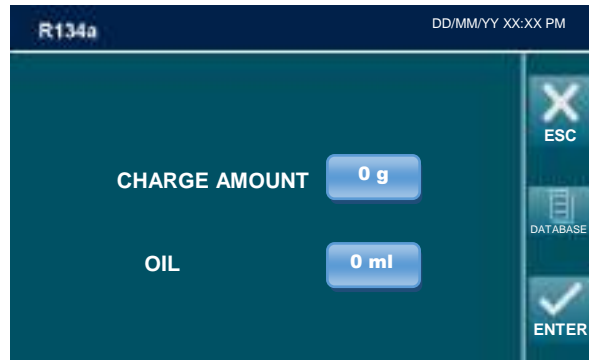
OIL INJECTION

CHARGE

FLUSHING KIT

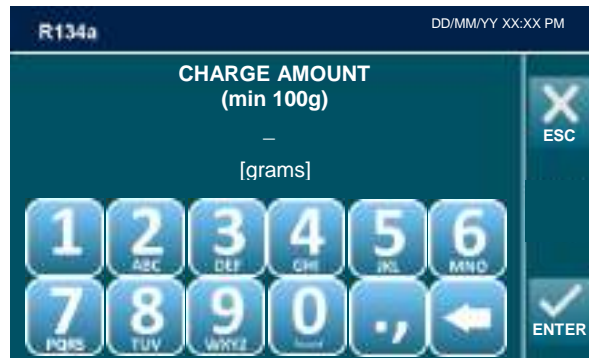
ESC

The following screen will be displayed:



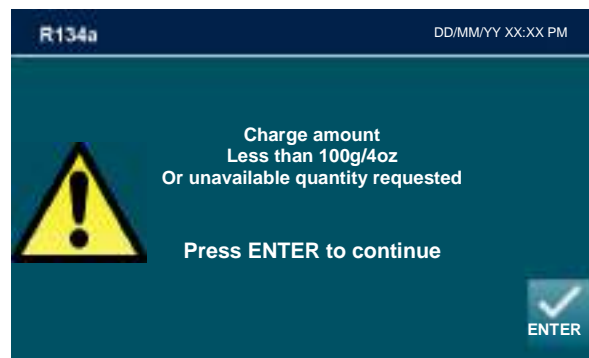
NOTE: For most systems the quantity of fluid to be refilled is indicated on a plate that is in the vehicle's engine compartment. If this quantity is not known, look for it in the relevant manuals.

Select the CHARGE AMOUNT quantity field, **0 g** see the keypad on the display to enter the amount (in grams) of REFRIGERANT that will be loaded into the A / C system.



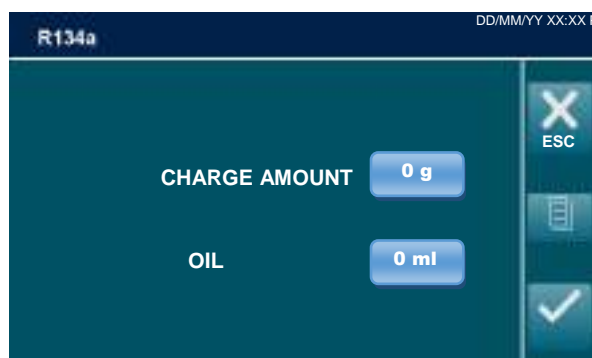
NOTE: If DATABASE is installed, can be used to insert the value of refrigerant into the GAS FILLING field.

NOTE: if gas filling is lower than 100 grams the following popup warning will be displayed:



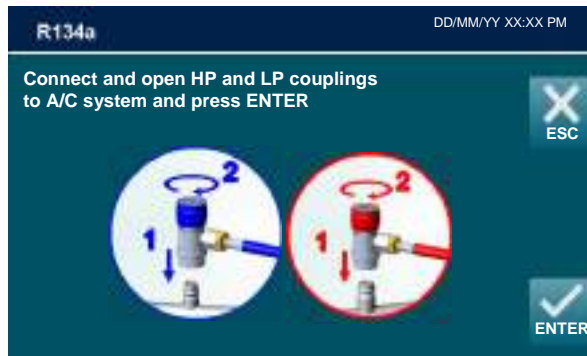
Gas filling lower than 100 grams is not allowed, press ENTER then digit an higher amount of gas filling.

Select the OIL quantity field, **0 ml** see the keypad on the display to enter the amount (in grams) of OIL that will be loaded into the A / C system.

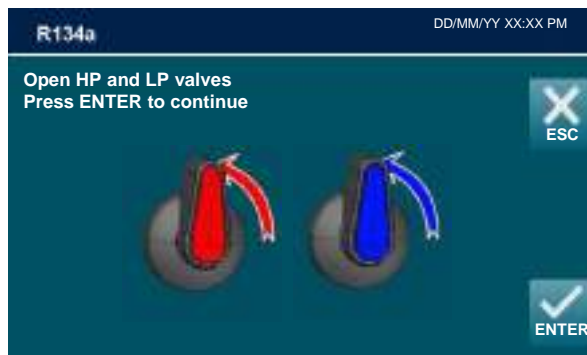


START PROCEDURE

After selected all the procedure data, press ENTER to continue, the following screen will be displayed:

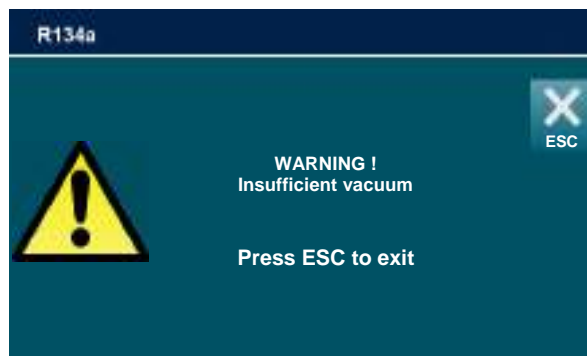


Connect and open the coupling connected to the A/C system, then press ENTER, press ESC to return back.



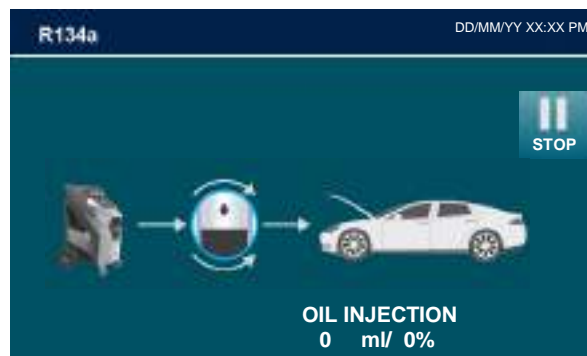
Open manual valves and press ENTER.

If the vacuum is not sufficient, this screen will be displayed:

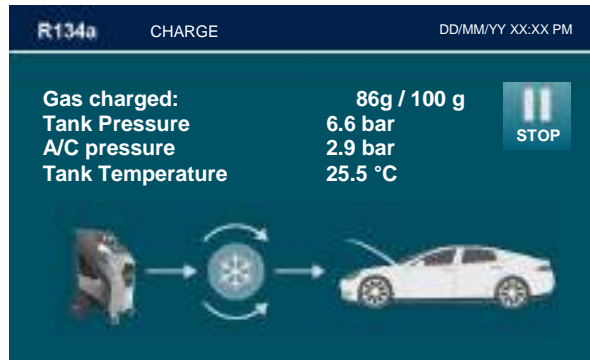


Then run a VACUUM procedure.

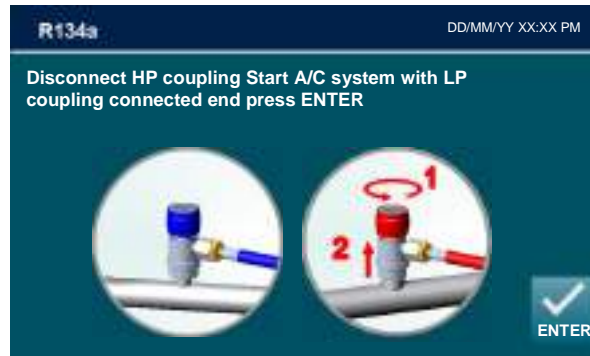
Instead with sufficient VACUUM the machine will proceed to inject the amount of oil set



Subsequently the machine will proceed with the quantity of gas set

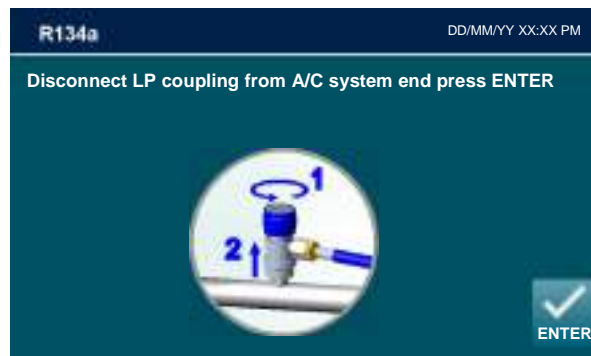


Then the following screen will be displayed.



Disconnect HP coupling. Start A/C system with LP coupling connected, press ENTER

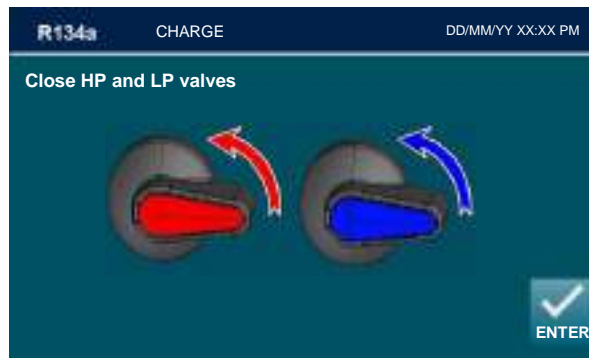
The A/C system will recover the refrigerant into the service hoses, then the following screen will be displayed:



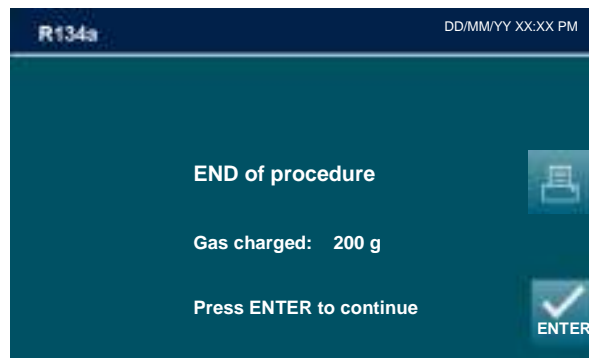
Disconnect LP coupling from A/C system, then press ENTER to continue:



The machine will recover the residual refrigerant into the service hoses, then the following screen will be displayed:



Close HP and LP valves and press ENTER.

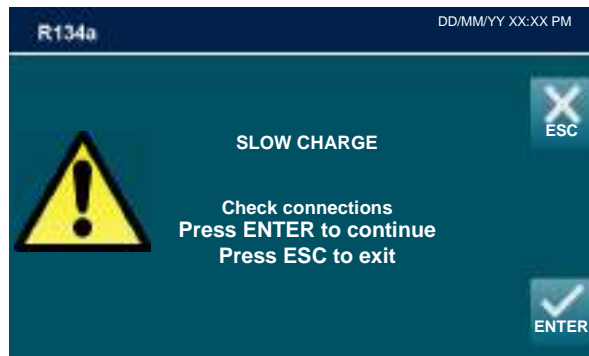


A summary of the amount gas of the CHARGE phase is displayed.

Press the symbol  for printing

OIL INJECTION procedure completed successfully, press ENTER to return to the manual procedure page.

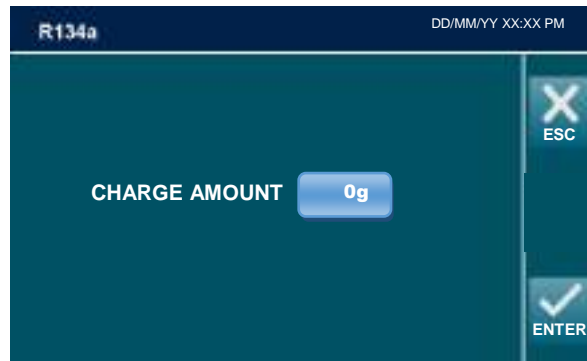
NOTE: near the end of the charge could be displayed the following alarm message:



The SLOW CHARGE alarm occurs when the tank pressure and the system pressure equalize (due to low pressure, excessive system temperatures, etc.). Check connections then press ENTER to continue, or press ESC to exit.

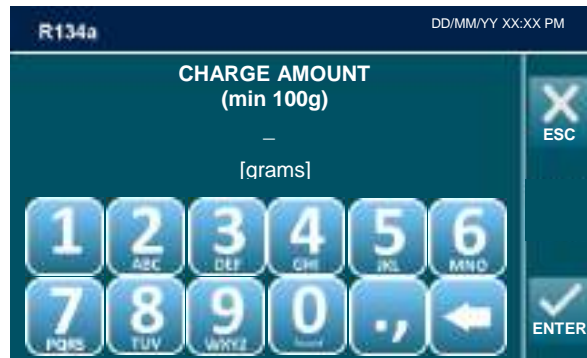
CHARGE (for ECO NEXT ONE and ECO NEXT ONE HYBRID)

From the MANUAL PROCEDURE, select CHARGE, the following screen will be displayed:



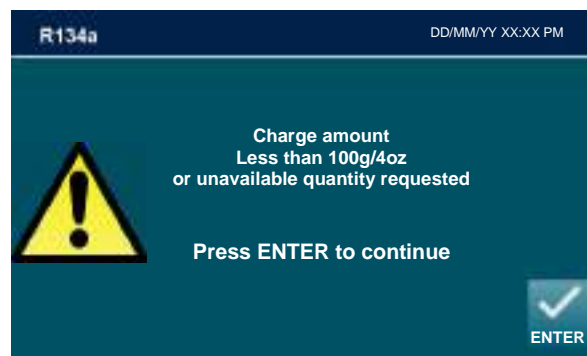
NOTE: For most systems the quantity of fluid to be refilled is indicated on a plate that is in the vehicle's engine compartment. If this quantity is not known, look for it in the relevant manuals.

Select the CHARGE AMOUNT quantity field, see the keypad on the display to enter the amount (in grams) of REFRIGERANT that will be loaded into the A / C system.




NOTE: If DATABASE is installed, can be used to insert the value of refrigerant into the GAS FILLING field.

NOTE: if gas filling is lower than 100 grams the following popup warning will be displayed:

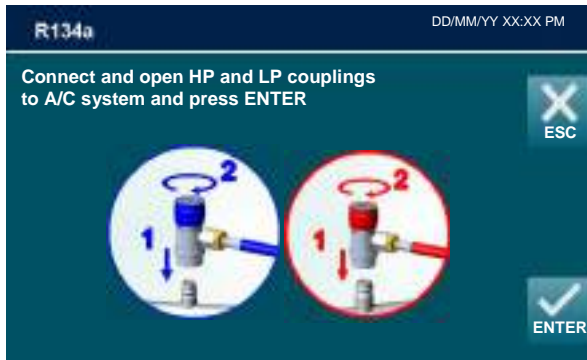


Gas charge lower than 100 grams is not allowed, press ENTER then digit an higher amount of gas filling.

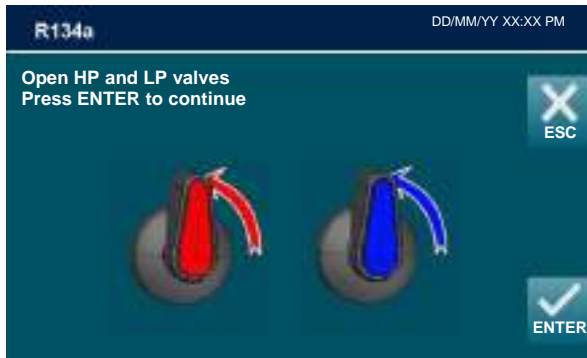
START PROCEDURE

NOTE: the STOP button  literally pause the running procedure. In the final phase of the charge the procedure hasn't to be paused or stopped to avoid to compromise the precision of the procedure.

After selected all the procedure data, press ENTER to continue, the following screen will be displayed:

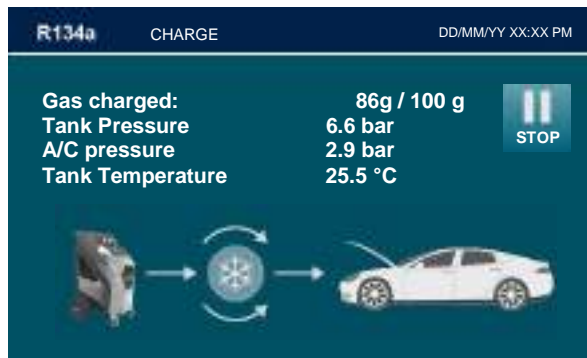


Connect and open the coupling connected to the A/C system, then press ENTER, press ESC to return back.

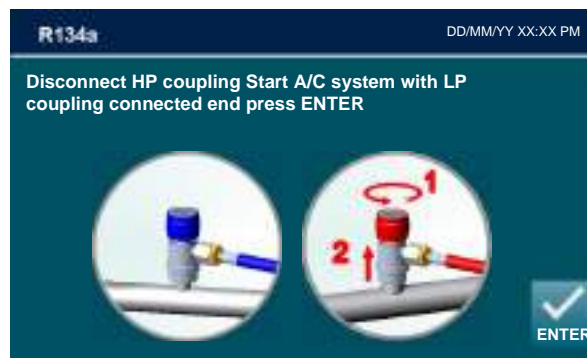


Open manual valves and press ENTER.

Subsequently the machine will proceed with the quantity of gas set

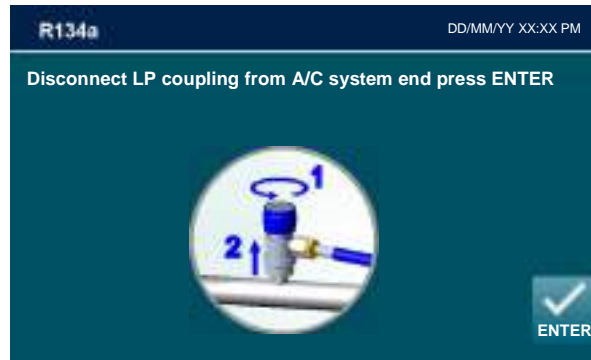


Then the following screen will be displayed.



Disconnect HP coupling. Start A/C system with LP coupling connected, press ENTER

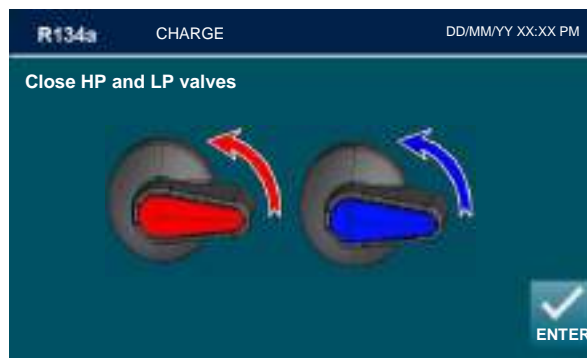
The A/C system will recover the refrigerant into the service hoses, then the following screen will be displayed:



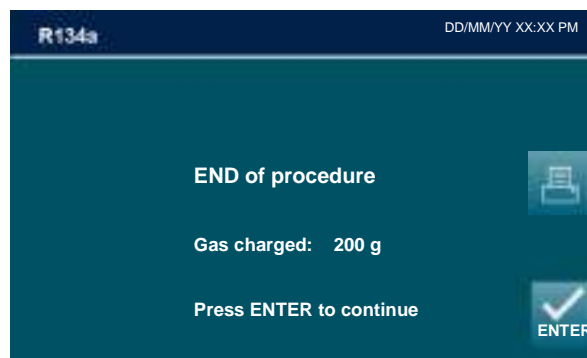
Disconnect LP coupling from A/C system, then press ENTER to continue:



The machine will recover the residual refrigerant into the service hoses, then the following screen will be displayed:



Close HP and LP valves and press ENTER.

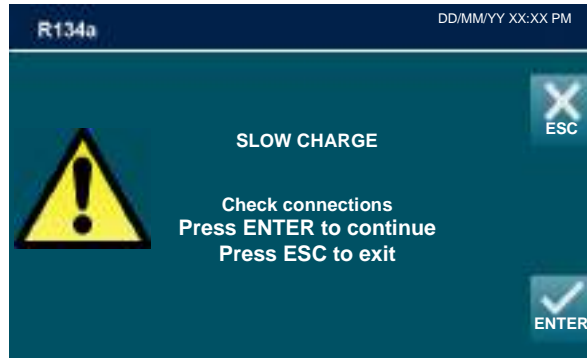


A summary of the amount gas of the CHARGE phase is displayed.

Press the symbol  for printing

CHARGE procedure completed successfully, press ENTER to return to the manual procedure page.

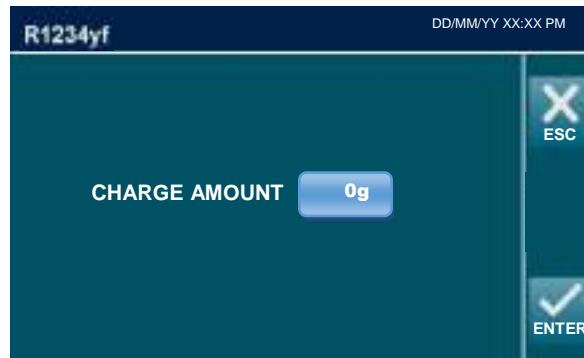
NOTE: near the end of the charge could be displayed the following alarm message:



The SLOW CHARGE alarm occurs when the tank pressure and the system pressure equalize (due to low pressure, excessive system temperatures, etc.). Check connections then press ENTER to continue, or press ESC to exit.

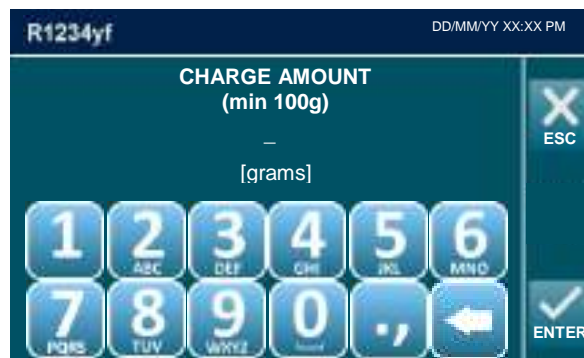
CHARGE (ECO NEXT ONE HFO only)

From the MANUAL PROCEDURE, select CHARGE, the following screen will be displayed:



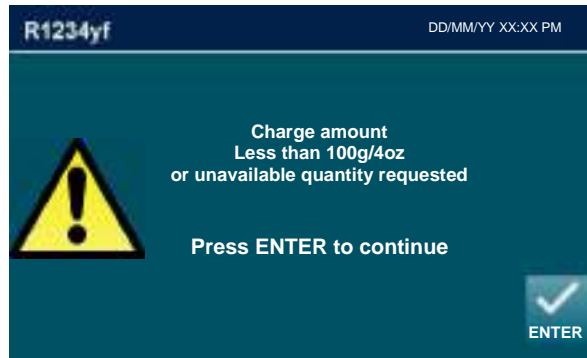
NOTE: For most systems the quantity of fluid to be refilled is indicated on a plate that is in the vehicle's engine compartment. If this quantity is not known, look for it in the relevant manuals.

Select the CHARGE AMOUNT quantity field, see the keypad on the display to enter the amount (in grams) of REFRIGERANT that will be loaded into the A / C system.



NOTE: If DATABASE is installed, can be used to insert the value of refrigerant into the GAS FILLING field.

NOTE: if gas filling is lower than 100 grams the following popup warning will be displayed:

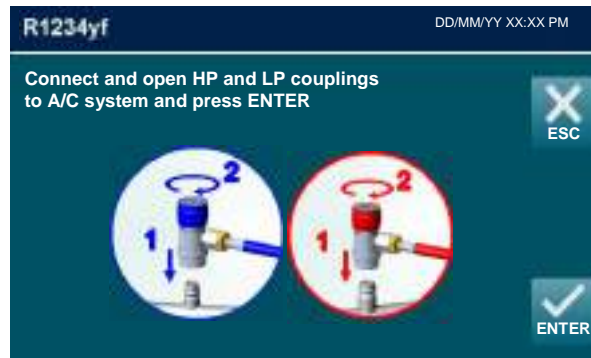


Gas charge lower than 100 grams is not allowed, press ENTER then digit an higher amount of gas filling.

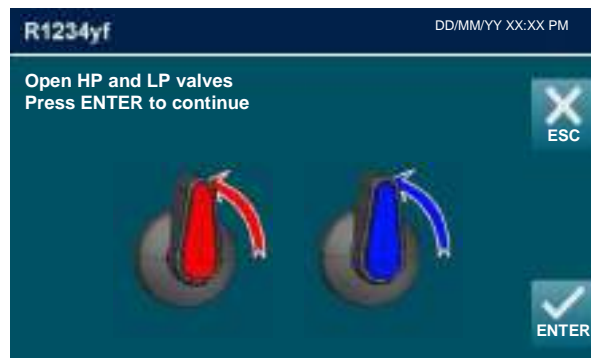
START PROCEDURE

NOTE: the STOP button literally pause the running procedure. In the final phase of the charge the procedure hasn't to be paused or stopped to avoid to compromise the precision of the procedure

After selected all the procedure data, press ENTER to continue, the following screen will be displayed:

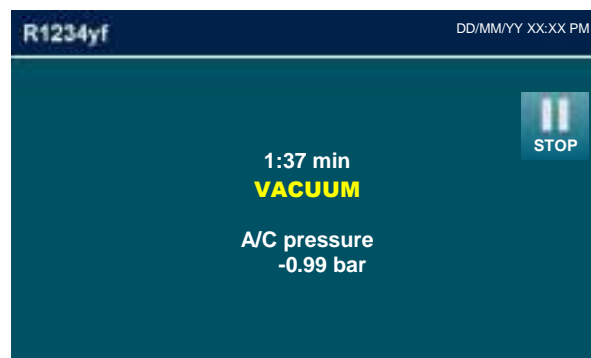


Connect and open the coupling connected to the A/C system, then press ENTER, press ESC to return back.



Open manual valves and press ENTER.

The machine will perform 5 minutes of vacuum:



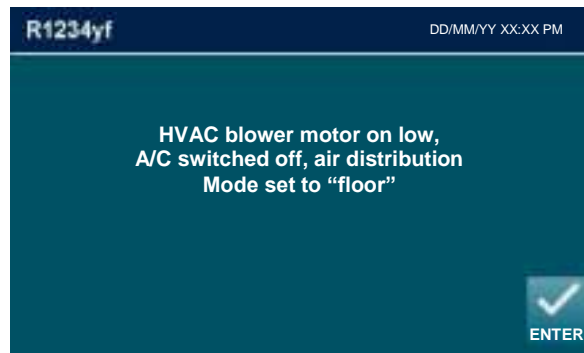
At the end of this phase, the machine will test for leaks in the A/C system:



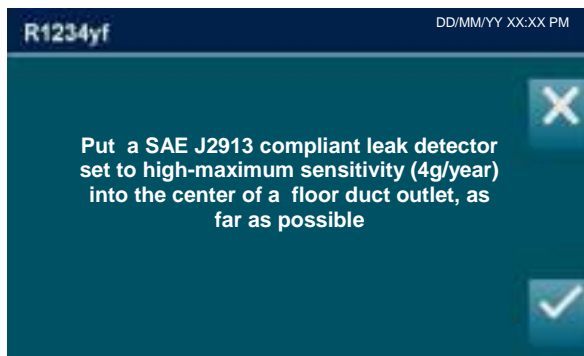
(WARNING! If vacuum time is lower than 15 minutes this test is not reliable). If leaks are found, the machine will stop automatically and display the A/C SYSTEM LEAKS alarm.

Detection of micro-leaks is not guaranteed.

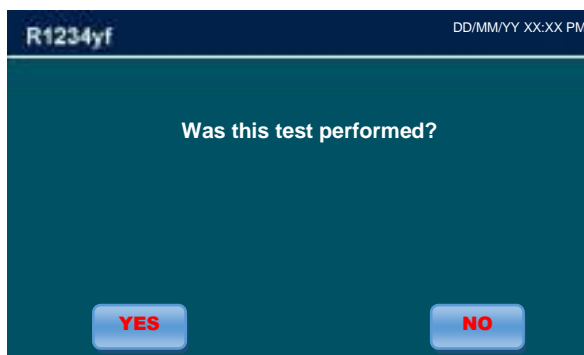
At the end of the preset vacuum time, the machine will sound and alarm and the following screen will be displayed:



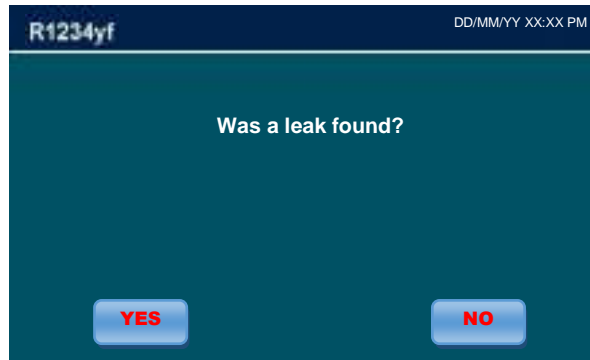
Set HVAC blower motor on low, A/C switched off, air distribution mode set to "flor2, then press ENTER to continue



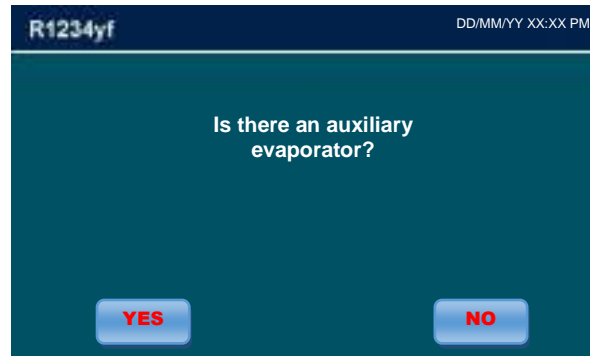
Put a SAE J2913 compliant leak detector set to high-maximum sensitivity (4g/year) into the center of a floor duct outlet, as far as possible, then press ENTER to continue



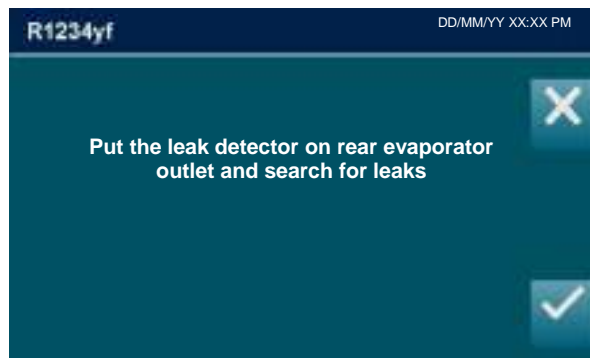
A pop-up message is displayed asking confirmation, press YES or NO to continue:



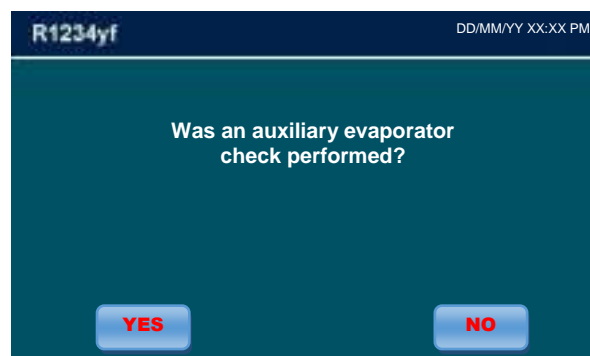
Press NO if no leak was found, the following screen will be displayed:



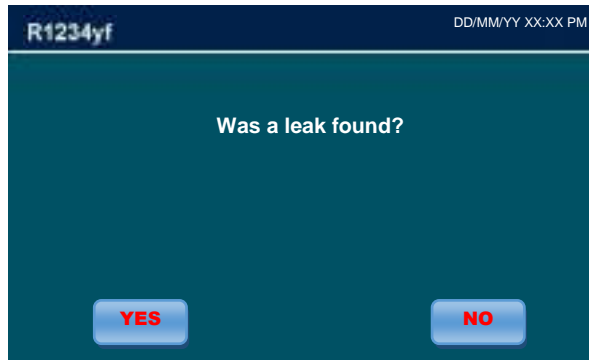
Select YES to perform a leak check on the auxiliary evaporator:



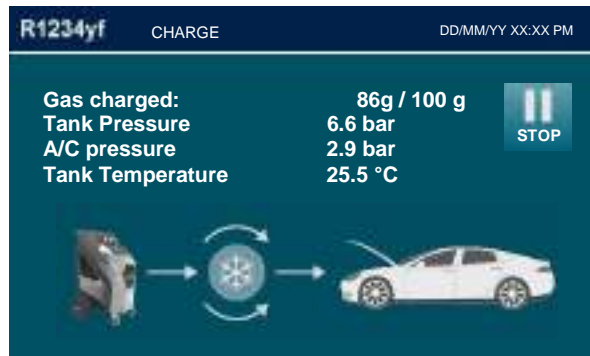
Put the leak detector on rear evaporator outlet and search for leaks, then press ENTER to continue:



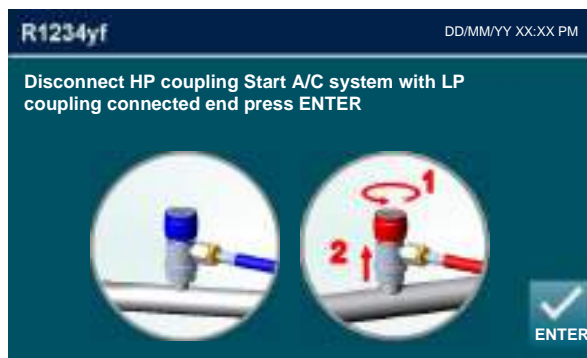
A pop-up message is displayed asking confirmation, press YES or NO to continue:



Press NO if no leak was found, upon completion of the PRE-CHARGE TEST, the system will go on to charging with the present quantity of refrigerant .



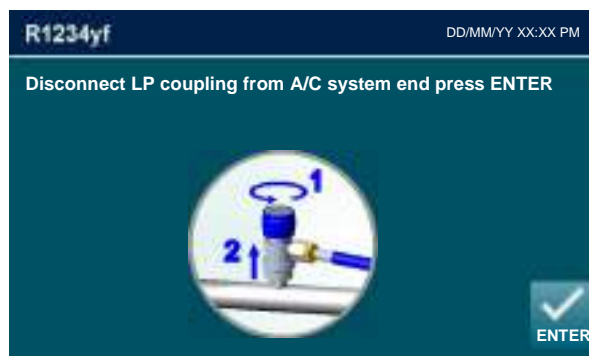
Then the following screen will be displayed.



Disconnect HP coupling. Start A/C system with LP coupling connected, press ENTER

NOTE: During this phase the message "Please wait" may appear on the screen, its duration is a function of the A / C pressure and can last for a maximum of 1 minute

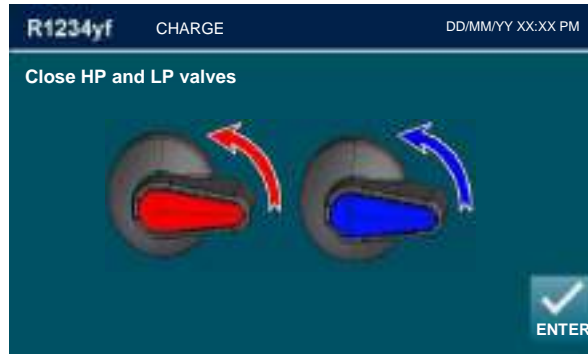
The A/C system will recover the refrigerant into the service hoses, then the following screen will be displayed:



Disconnect LP coupling from A/C system, then press ENTER to continue:



The machine will recover the residual refrigerant into the service hoses, then the following screen will be displayed:



Close HP and LP valves and press ENTER.

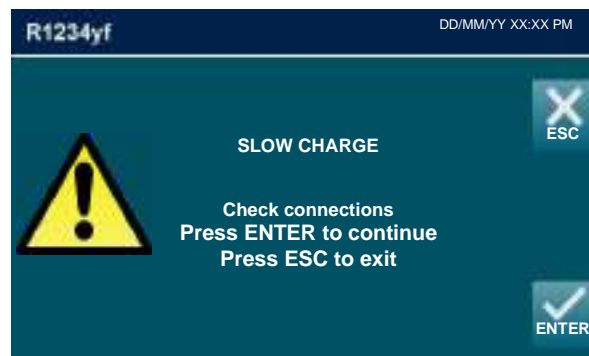


A summary of the amount gas of the CHARGE phase is displayed.

Press the symbol  for printing

CHARGE procedure is now successfully completed, press PRINTER to print the receipt of the procedure, press ENTER to return to exit.

NOTE: near the end of the charge could be displayed the following alarm message:



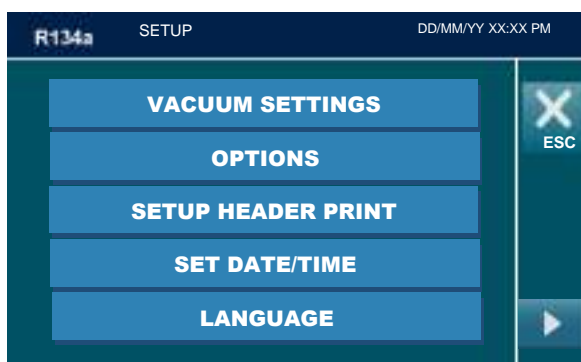
The SLOW CHARGE alarm occurs when the tank pressure and the system pressure equalize (due to low pressure, excessive system temperatures, etc.). Check connections then press ENTER to continue, or press ESC to exit.

SETUP

From the MAIN MENU:

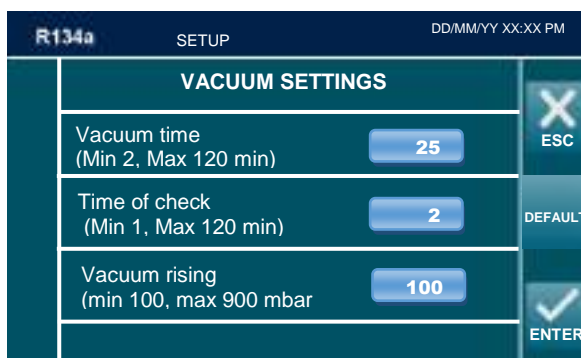


Select the SETUP , the following screen will be displayed:



VACUUM SETTING

From the SETUP, select VACUUM SETTINGS, default setting is displayed:



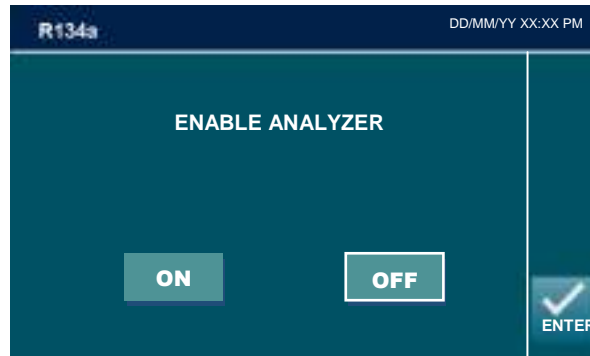
Allows to modify the default vacuum time and the default time of check. Each value can be modified, within the values shown in parentheses.

NOTE: press DEFAULT to restore default values:

- Vacuum time 25 min
- Time of check 2 min
- Vacuum rising 0,1 mbar

OPTIONS

Select OPTIONS, insert the OPTION code:43210791
the following screen will be displayed:

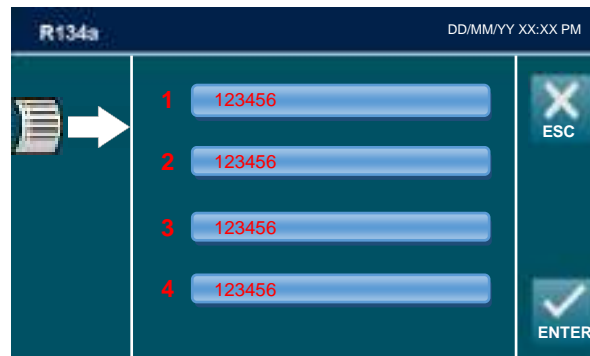


Choose ON to enable the analyzer and OFF to disable it then press ENTER.

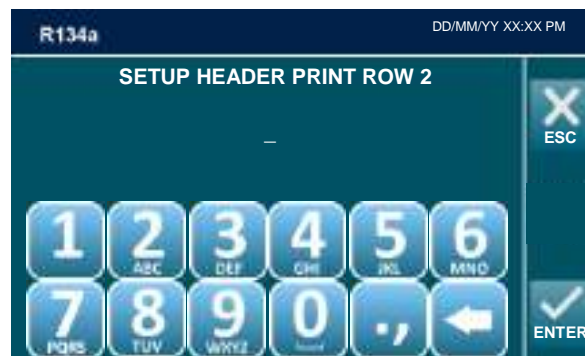
SETUP HEADER PRINT

The printout can be personalized by entering 4 lines containing the workshop's details (e.g. Name, address, telephone n° and e-mail).

From the SETUP, select SETUP HEADER PRINT:

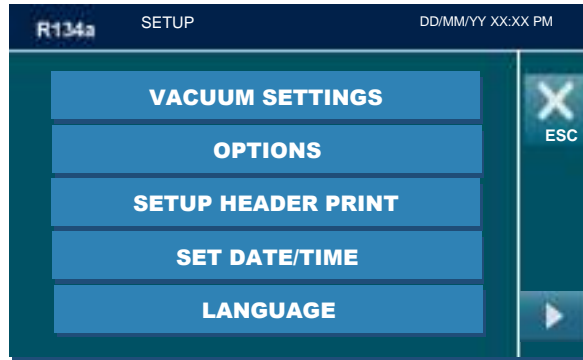


Use the keypad to modify the 4 lines, then press ESC to return to SETUP menu.



NOTE: the numerical keys include an alphabet that is used similar to text messaging; for example: press "2" once to display "A", twice to display "B", three time for "C", four time for "2"

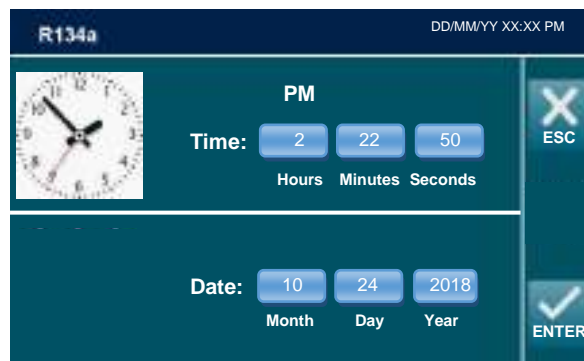
SET DATE / TIME



From the SETUP, select the arrow  to change page

The machine keeps date and time settings even if it is not used for around one year.

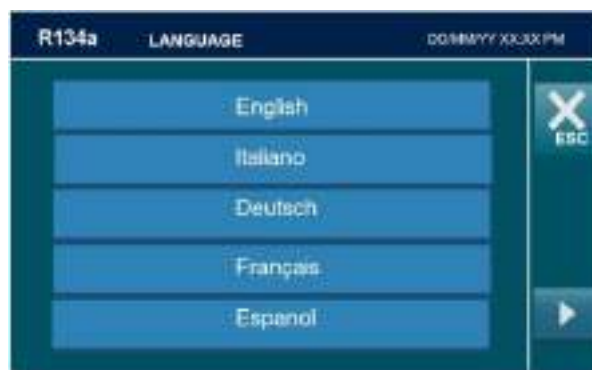
From the SETUP MENU, select SET DATE / TIME:



Use keypad to change date and time, press ENTER to confirm, or press ESC to return to SETUP menu without saving the changes.


LANGUAGE

Select LANGUAGE :

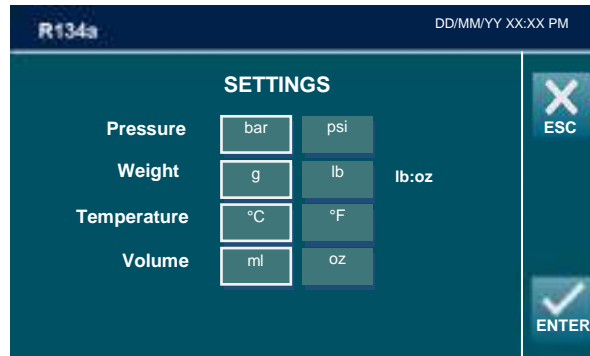


Select a language.

MEASURE UNITS

From SETUP menu, Select the arrow  to change page.

Select then MEASURE UNITS:



NOTE: current MEASURE UNITS is indicated by squaring.

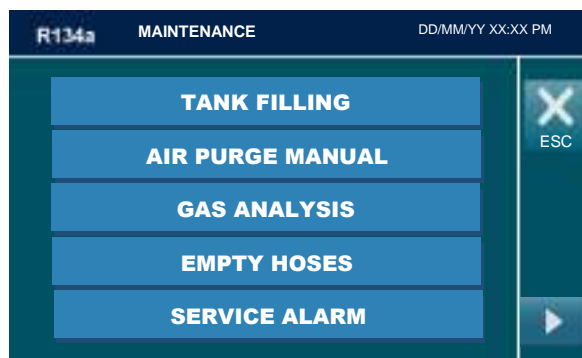
Select a MEASURE UNITS, then press ENTER.

MAINTENANCE

From the MAIN MENU:



Select the MAINTENANCE , the following screen will be displayed:



TANK FILLING

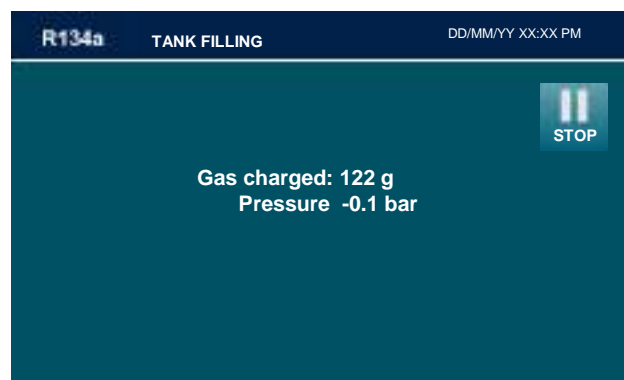
This operation must be performed whenever the available refrigerant fluid in the tank is less than 3 kg and must in any case be performed when the “empty tank” alarm is displayed.

From MAINTENANCE, select TANK FILLING, the following screen will be displayed:

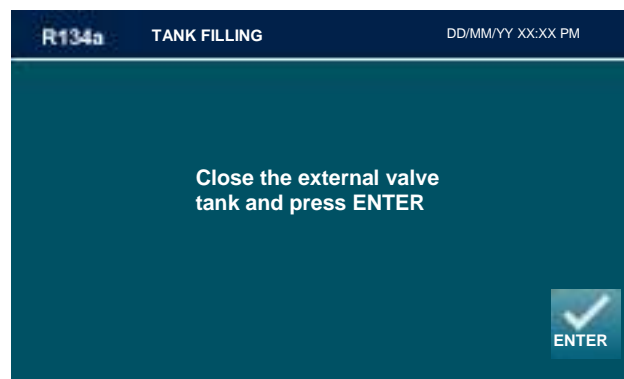


Procure a tank of appropriate refrigerant (R134a or R1234yf depending on machine model), connect and open LP coupler to the liquid side of the external tank and open the liquid valve, then Use the keypad to insert the amount of refrigerant, then press ENTER to continue.

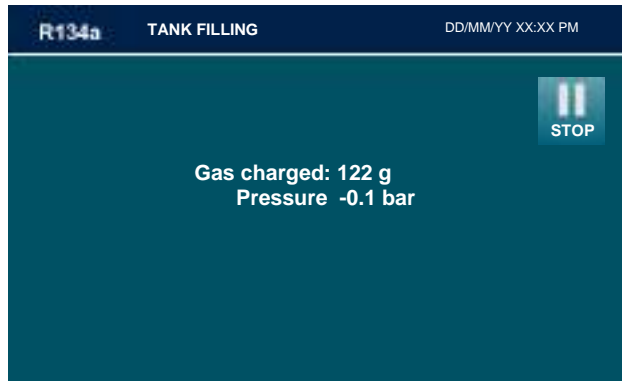
The TANK FILLING will start.



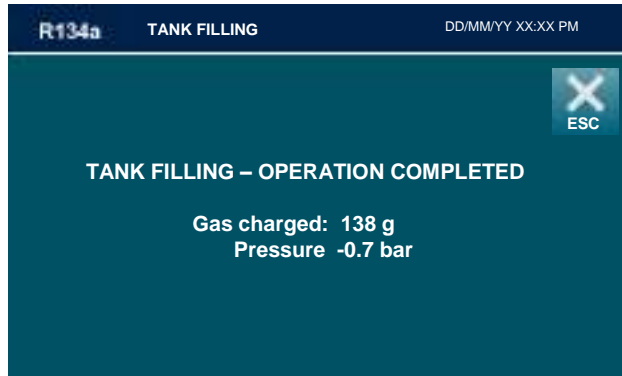
The machine will now fill the machine tank with the preset quantity ~ 500g. When the quantity minus 500 grams is reached, the machine will stop and display:



Close the liquid valve of the external tank and press ENTER, the machine will recover the residual refrigerant from the hoses. The refrigerant that is recovered in this phase is estimated to be 500g but can charge depending on many factors (the pressure of the external bottle, the refrigerant flow or the pressure inside the internal bottle, for example). Then will display the following screen:



Close and disconnect LP coupling from external tank and press ENTER.

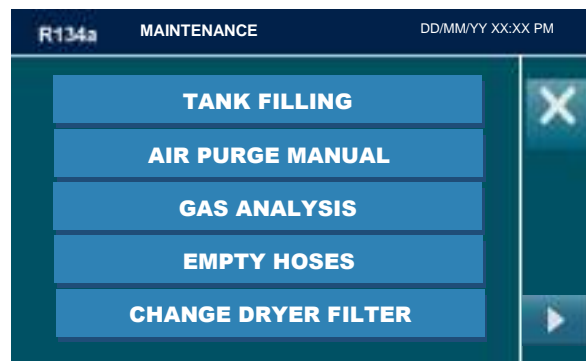


Tank filling procedure successfully completed. Switch the machine off.

NOTE: if the external tank is not supplied with a liquid side coupling, upend it to recover liquid refrigerant.

AIR PURGE MANUAL

Before each service check the presence of air in the cylinder, select the MAINTENANCE MENU and press AIR PURGE MANUAL.



The following screen will be displayed:



If “PRESS ENTER TO PURGE” is displayed, there is air in the tank. In this case, press ENTER: the machine will begin discharging the air.

Press ESC to pause the Air Purging process.

NOTE: If there isn't air into the tank, the following message is displayed: AIR PURGE NOT NECESSARY.

Press ESC to terminate the Air Purging process, and return to the MAINTENANCE menu.

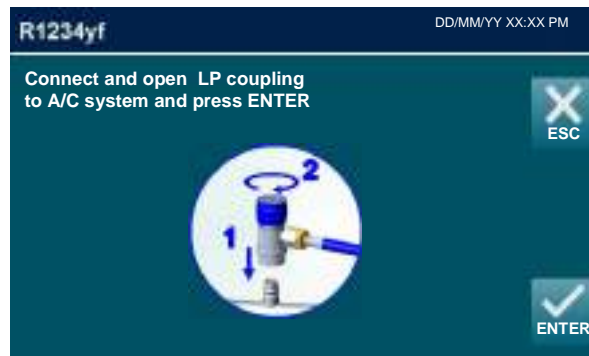
GAS ANALYSIS (ECO NEXT ONE HFO only)

The machine will test the purity of the refrigerant gas in the A/C system before beginning recovery. Contaminated refrigerant cannot be recovered, since it would contaminate all the refrigerant contained in the storage bottle. Purity testing is conducted after a sample of the refrigerant gas to be analyzed is taken.

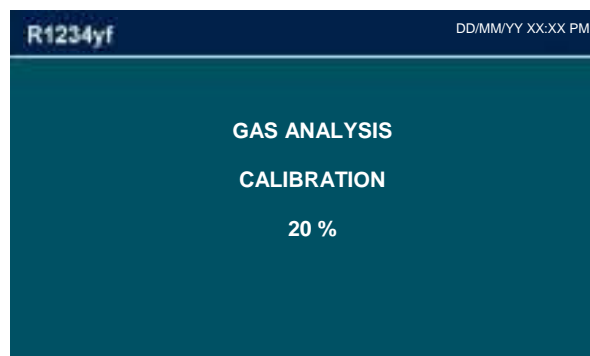
From MAINTENANCE, select GAS ANALYSIS, the following screen will be displayed:



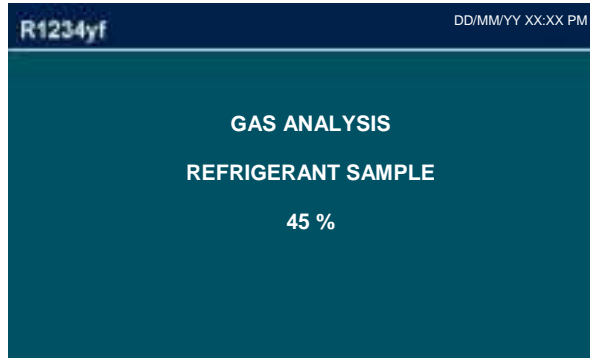
Open the LP valve



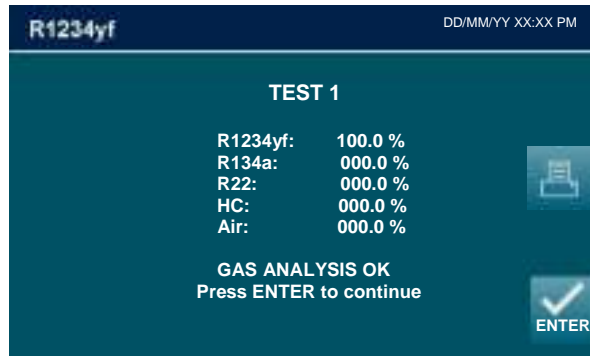
Connect and open the LP coupling connected to the A/C system, then press ENTER:



The analyzer will begin the calibration, then after few second will start gas analysis:



If the refrigerant is PURE the machine will display the following screen



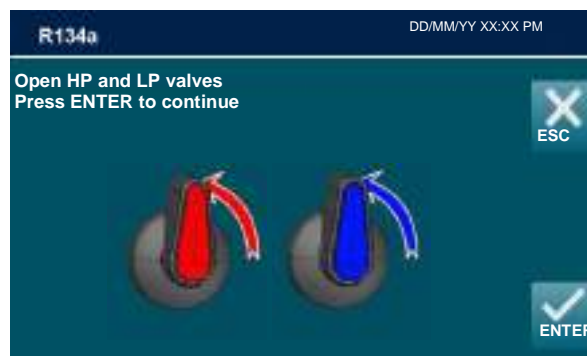
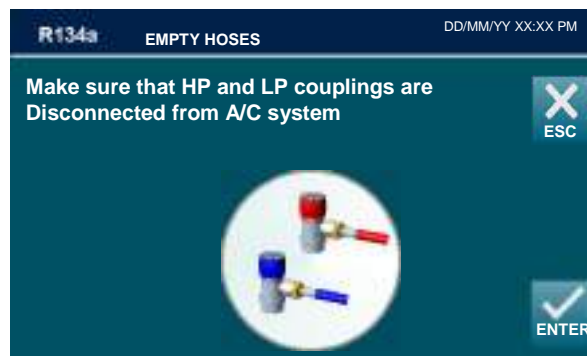
Press the symbol  for printing

GAS ANALYSIS procedure is now successfully completed, press PRINTER to print the receipt of the procedure, press ENTER to return to exit.

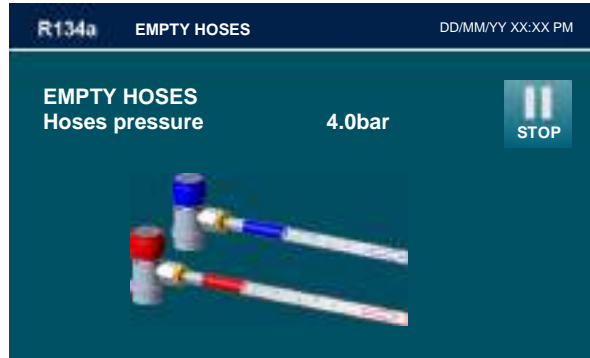
NOTE: If the refrigerant is CONTAMINATED the machine will ask the connect an external recovery unit in order to remove the contaminated refrigerant from machine. In order to complete the cleaning of internal circuit the machine will run 10 minutes of vacuum.

EMPTY HOSES

From MAINTENANCE, select EMPTY HOSES, the following screen will be displayed:



Open manual valves and press ENTER.



The machine will recover all the refrigerant into the service hoses; then the machine will sound and alarm and the following screen will be displayed:



Press ESC to return to the MAINTENANCE MENU; EMPTYING HOSES is now successfully completed.

NOTE: Periodically check the tightening of the LP and HP couplings to service hoses and of the service hoses to the unit

CHANGE DRYER FILTER

Replace the filter whenever the machine gives the service alarm signals the presence of humidity in the circuit.

Before performing any operation, check that the replacement filter is the same type as these installed on the machine.

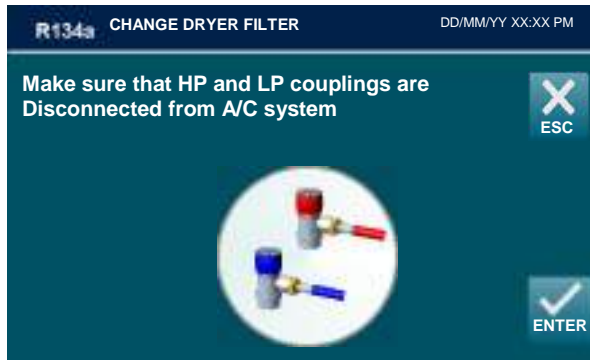
Then proceed as described below:

- 1) **Wear protective gloves and glasses**
- 2) Connect the machine to the electrical supply and it turn on
- 3) Note down the release code on the new filters.

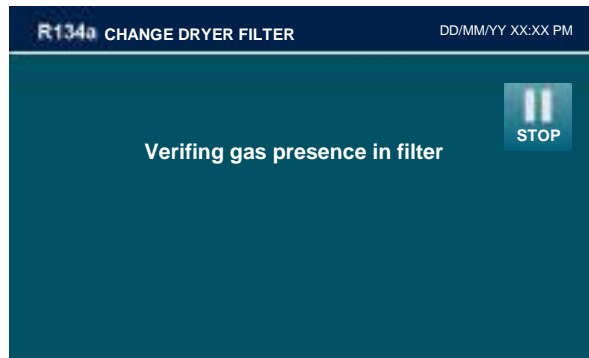
IMPORTANT: Filter replacement must be performed as quickly as possible in order to avoid possible contamination by moisture in the ambient air.

NOTE: If possible, check the seal on the couplings of the new filter, using an electronic leak tester.

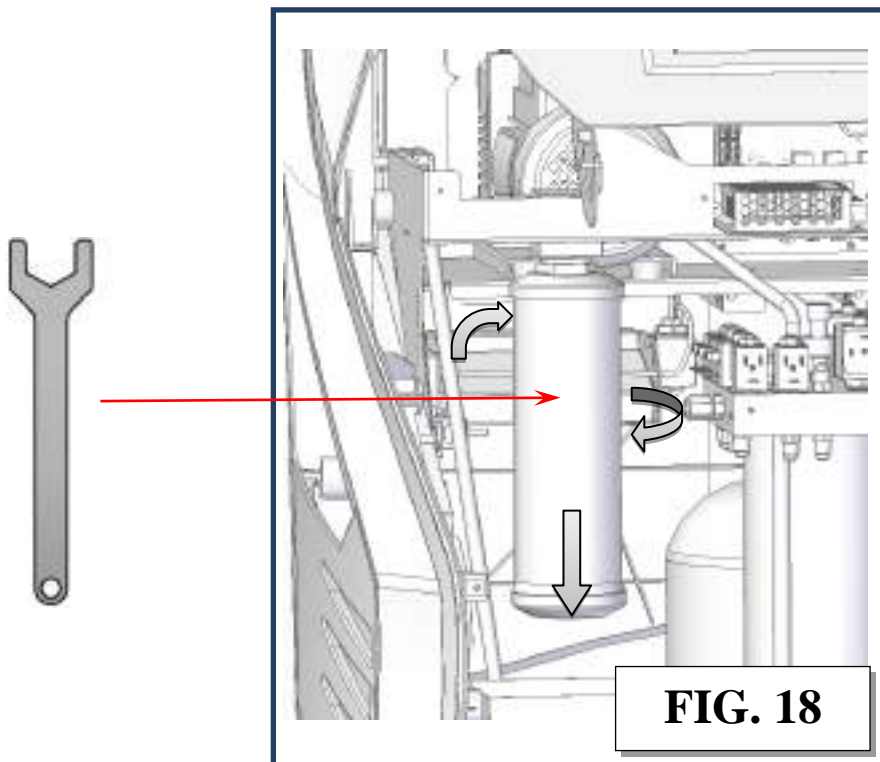
- 4) From MAINTENANCE, select SERVICE ALARM, the following warning message is visualized:



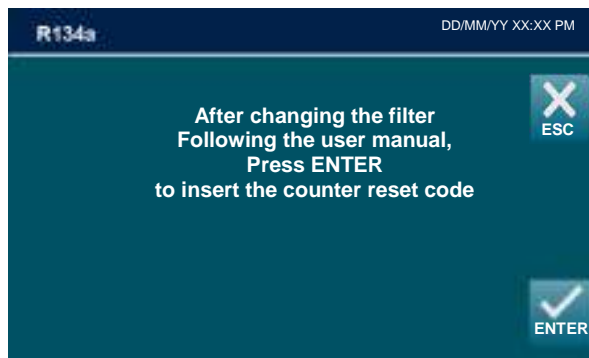
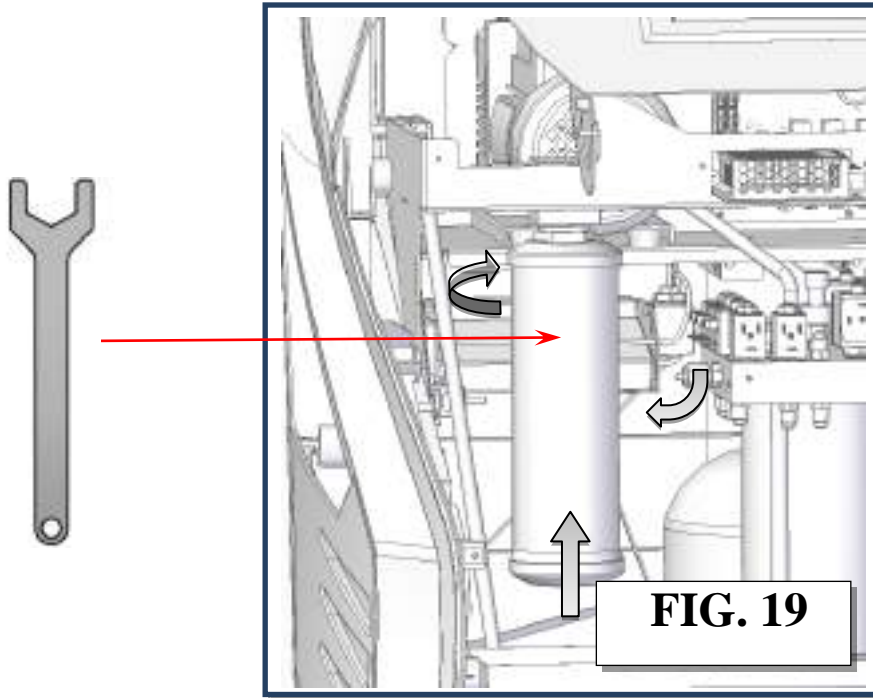
An accidental leakage of refrigerant may cause serious damage to skin and eyes, wear protective gloves and goggles. Make sure that HP and LP coupling are disconnected from A/C system or else and press ENTER, machine will check presence of refrigerant:



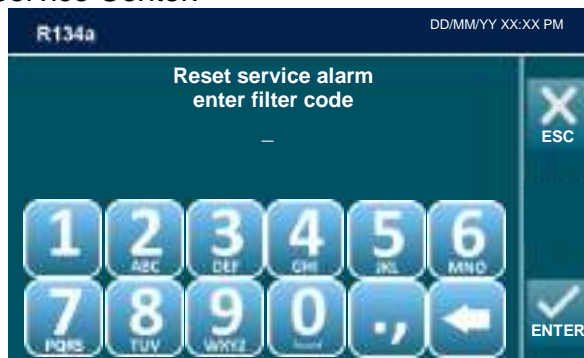
- 5) And if necessary will recover it
- 6) Remove the dryer filter, use the special wrench (ref Fig.18)



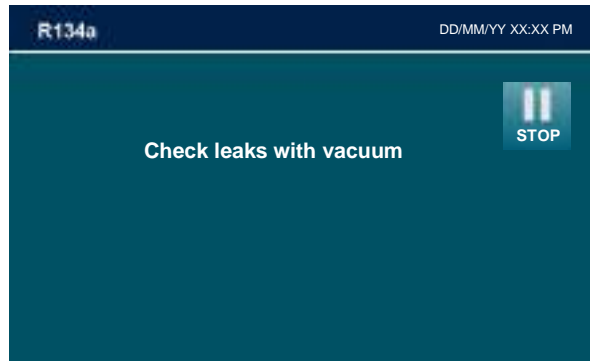
- 7) Take the new filter, wet with clean POE oil both o-rings, and verify that they are correctly placed into their seats



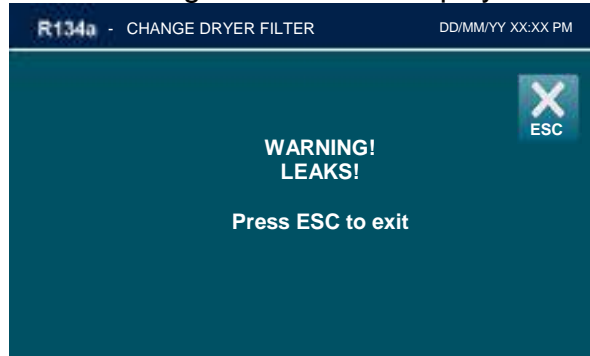
- 8) Type the filter code and press ENTER to delete the alarm. If the filter code is not available, call the Service Center:



- 9) Press ENTER to continue with vacuum check:



10) If leaks are detected the following screen will be displayed:

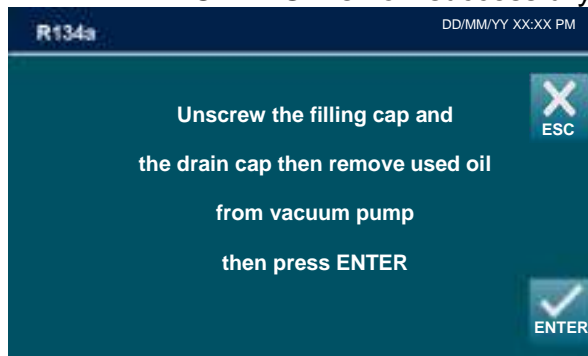


Check filter tightening and press ESC to restart the vacuum check.

11) After few minutes, if no leaks are detected the following screen will be displayed:



12) Press ENTER; DRYER FILTER CHANGE is now successfully completed.



VACUUM PUMP

At the same time as the filter change the machine will ask to change the vacuum pump oil

Perform the operations listed below on a routine basis in order to ensure good operation of the vacuum pump:

M1) Oil top-up.

M2) Oil change.

When topping-up or replacing the pump oil, use only the oil recommended by the manufacturer. Contact your retailer for information concerning the correct type of oil.

M.1) OIL TOP-UP

This operation must be performed when the level of the oil falls to less than half on the indicator (ref.3, Fig.20A).

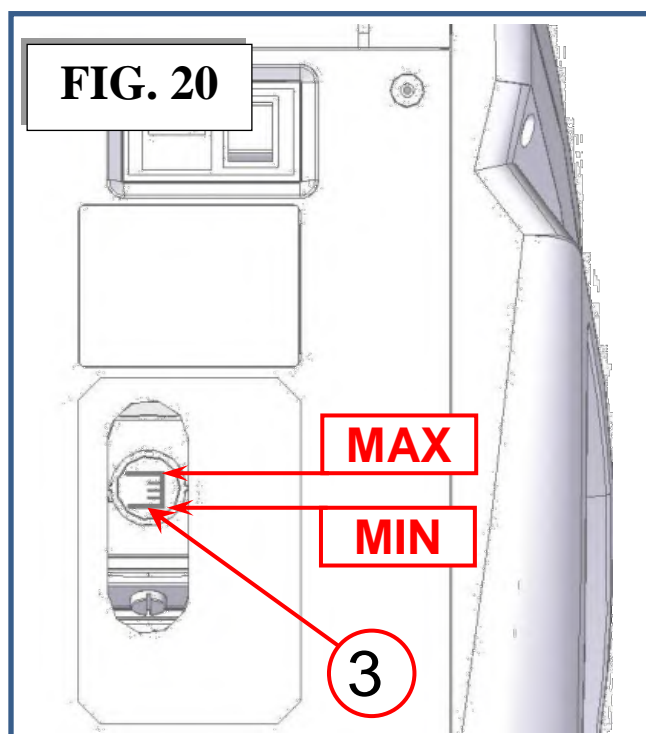
NOTE: in order to correctly check the oil level, run the pump for at least 1 minute (running a vacuum procedure in the hose for 1 minute) so that the oil fluidifies.

Check the oil level when the pump stops.

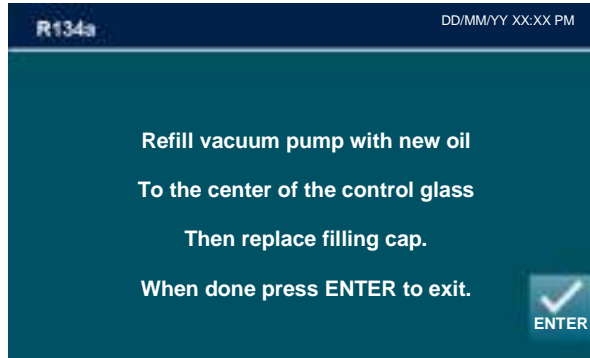
To refill the oil, perform the steps listed below in the order given.

Disconnect the *machine* from the mains supply. Remove the rear plastic cover

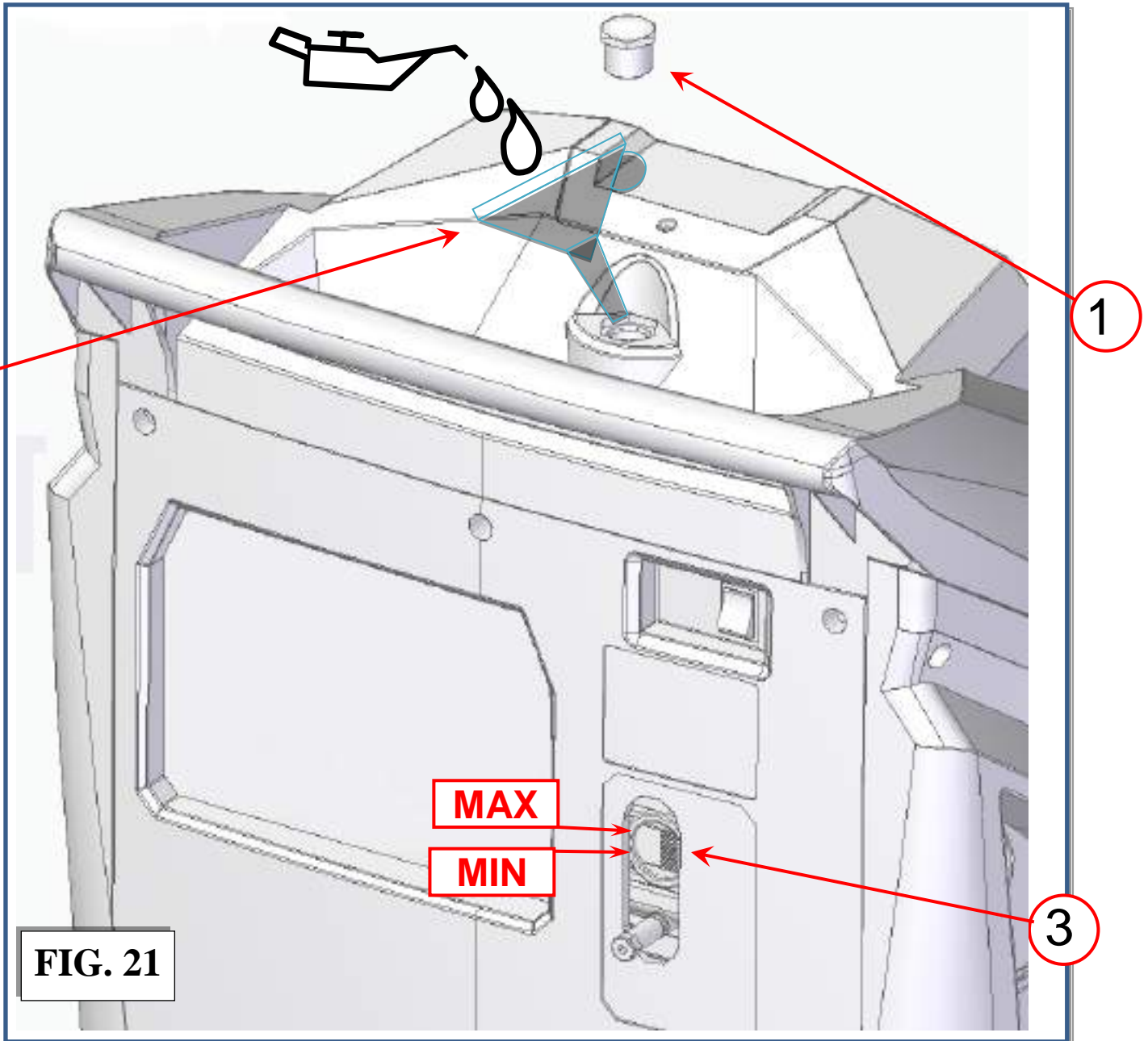
Locate the filling cap (ref 1, Fig.20A) and screw it completely off.



The following screen is displayed:



The oil must be added through the hole in which the oil cap was lodged by using a proper funnel (ref 5, Fig.21).



Add oil a little at a time, waiting for the level to rise before each successive addition, until the oil level is about $\frac{1}{2}$ cm above the red mark on the indicator (ref 3, Fig.21).

Replace the filling cap (ref 1, Fig.21) and tighten down.

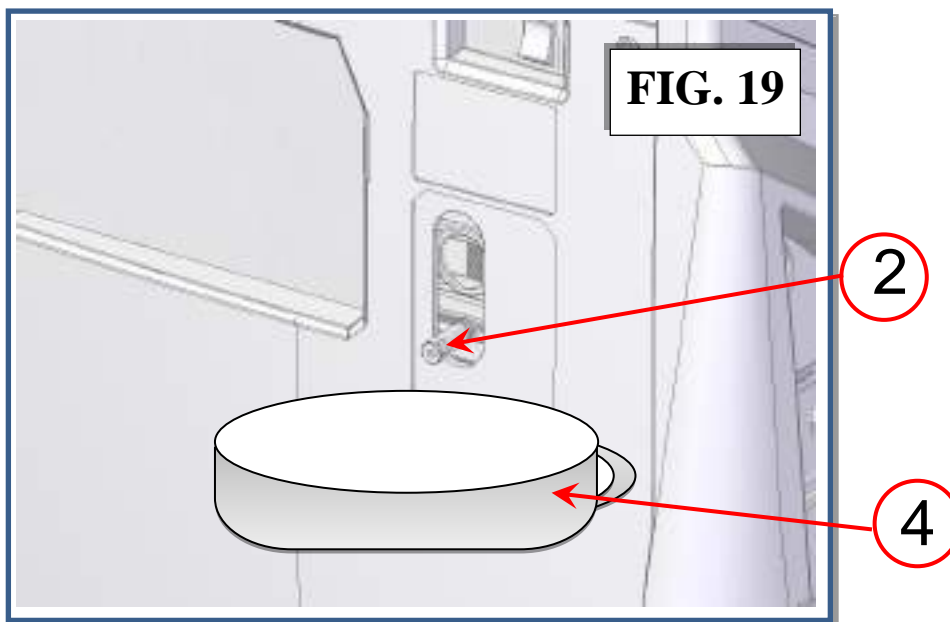
M.2) OIL CHANGE

The vacuum pump oil must be replaced every 20 hours of functioning and in any case every time the refrigerant filters are replaced.

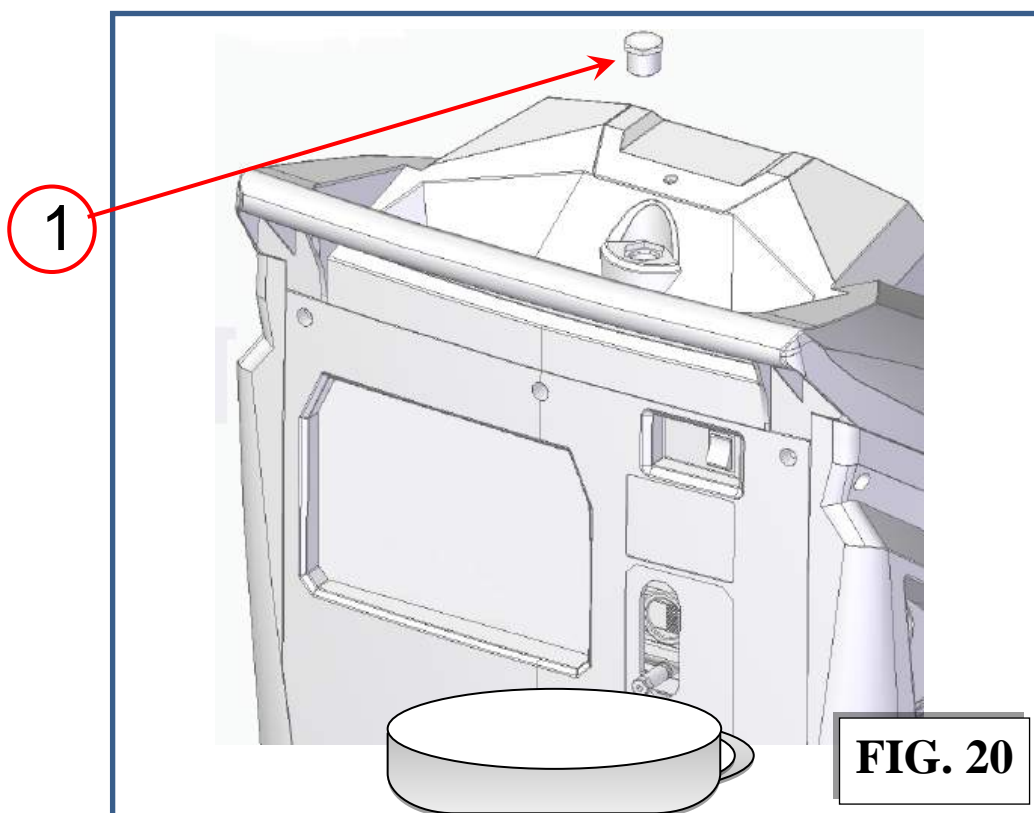
NOTE: alarm message is visualized, to remove alarm message refer to VACUUM PUMP OIL CHANGE paragraph.

The oil must also be replaced whenever it changes color due to absorption of humidity. Before beginning the oil change procedure, procure a container of at least 500 cc capacity in which to collect the used oil. The pump contains about **250 cc of oil**. Use only the oils recommended by the manufacturer (consult your retailer); the use of a non-recommended oil may impair the proper functioning of the pump and void the warranty.

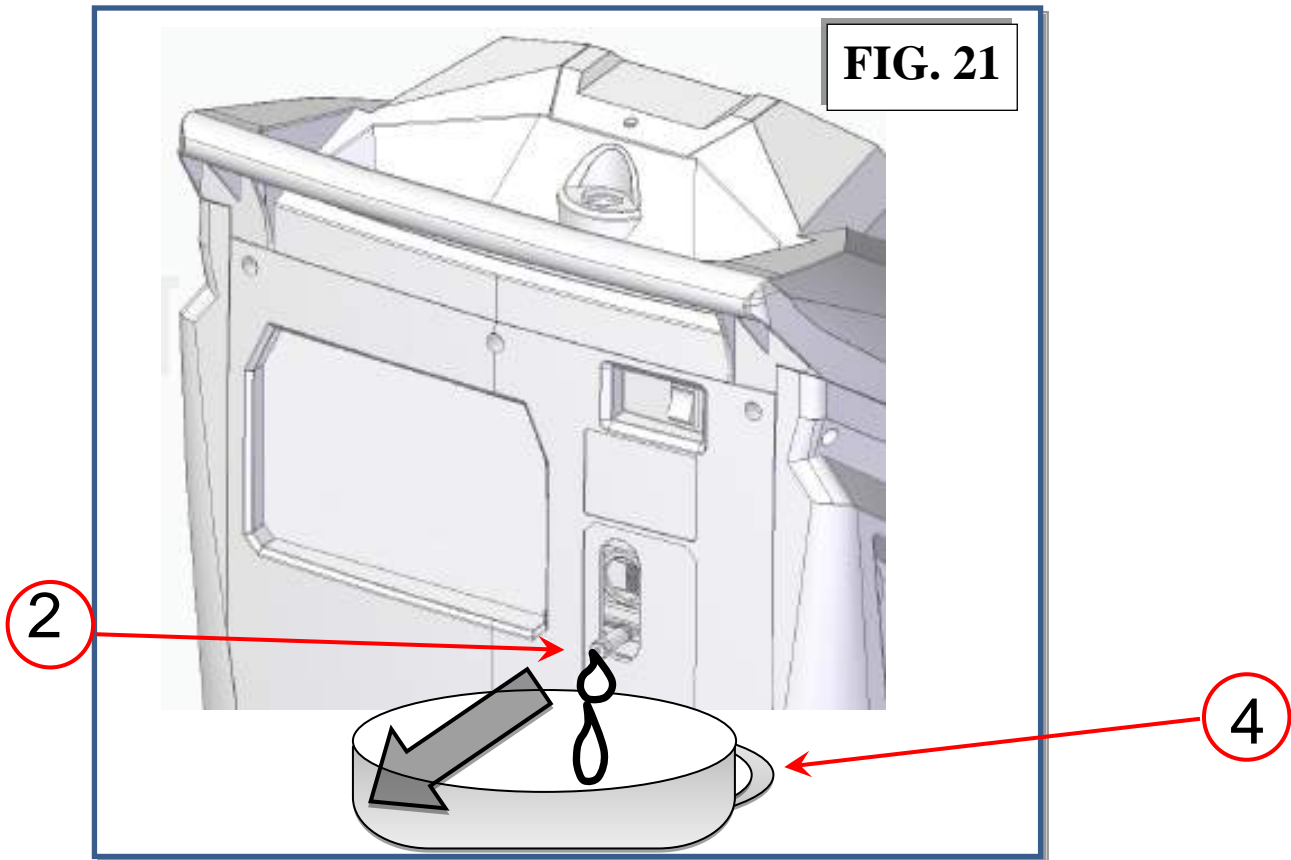
- 1) Disconnect the machine from the mains supply.
- 2) Place a container (ref 4 Fig.19). under the drain cap (ref 2, Fig.19).



- 3) Unscrew the filling cap (ref 1, Fig.20).

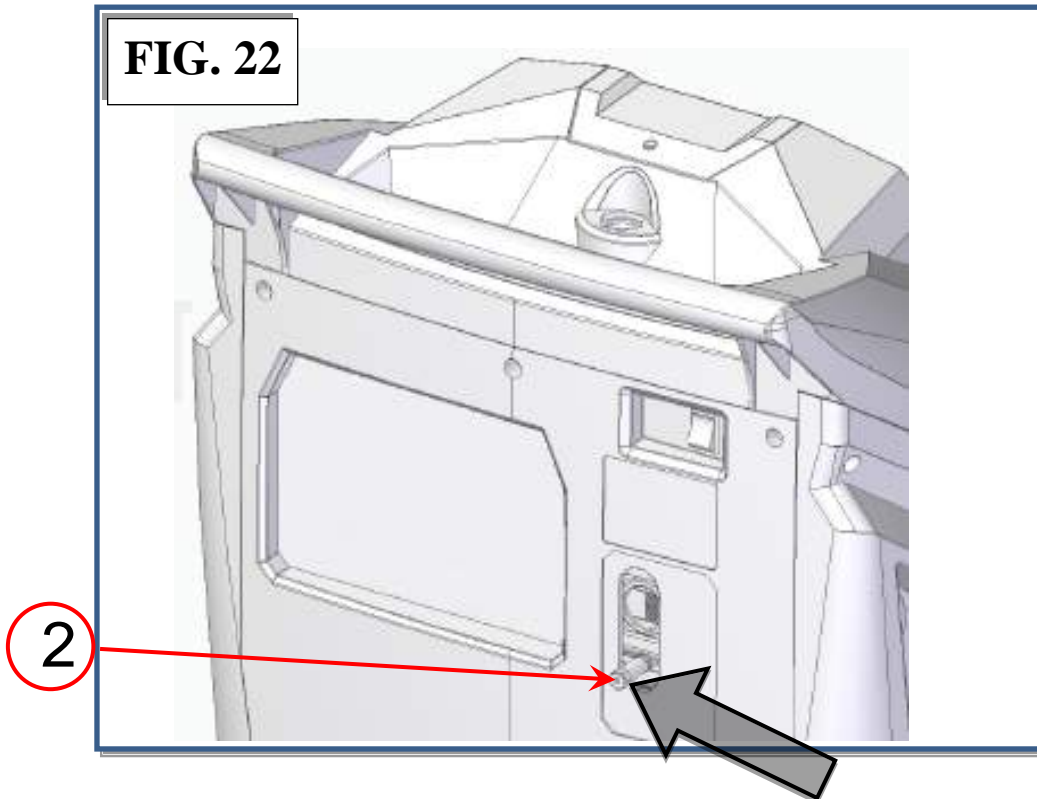


4) Unscrew the drain cap (ref 2, Fig.21).

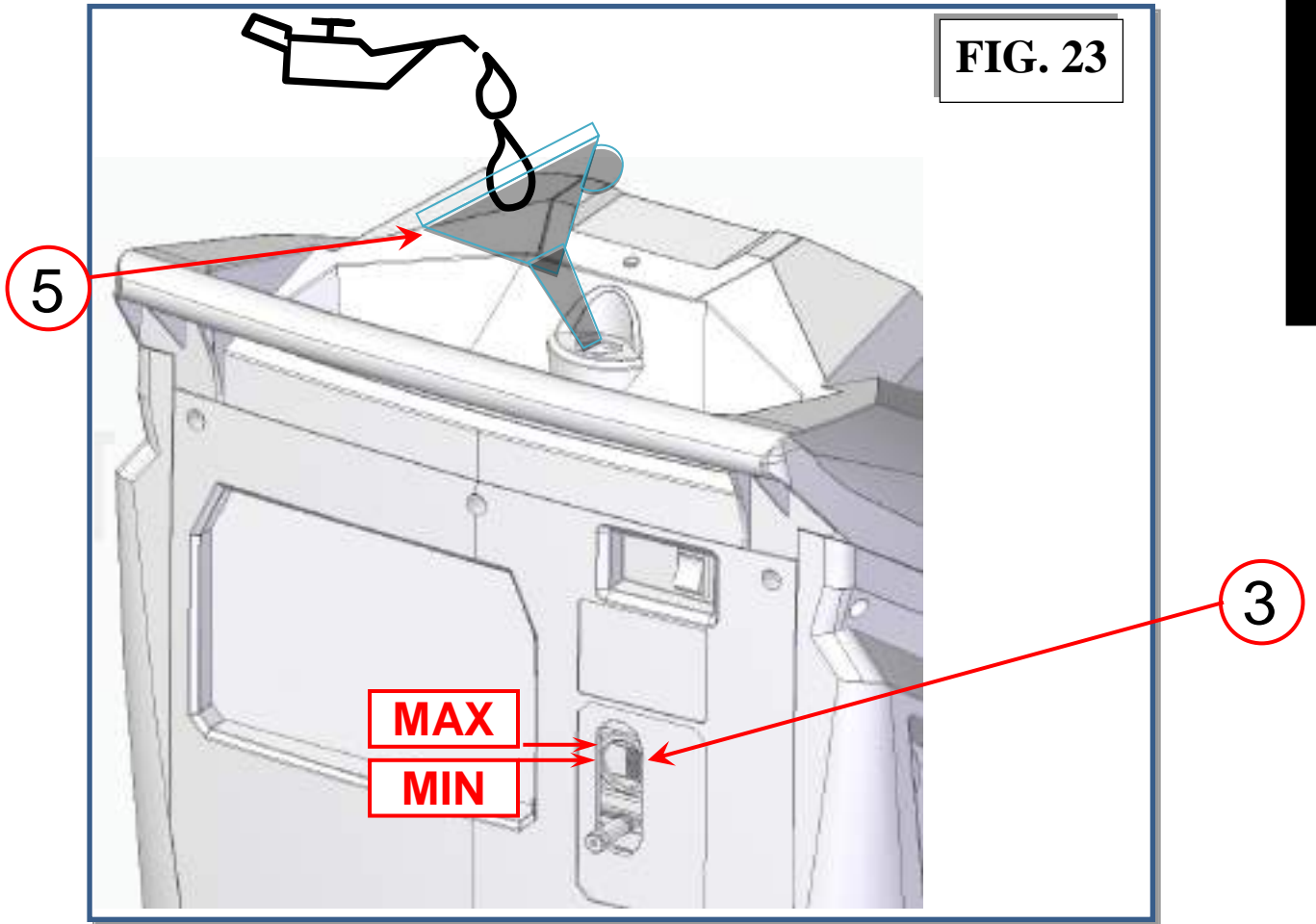


Allow all the oil to run out into a disposal container (ref 4 Fig.21) (with height < 10 cm).

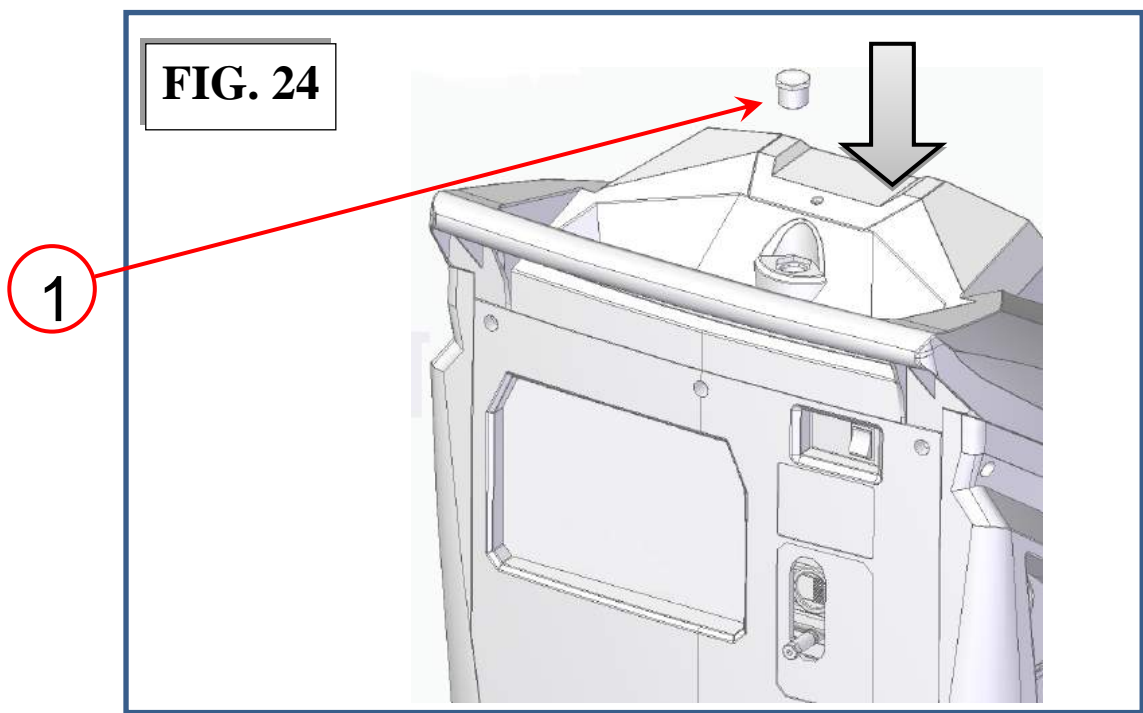
5) Close the drain cap (ref 2, Fig.22).



- 6) Pour in new oil through the filling hole, using a proper funnel (ref 5, Fig.23), until the level rises to the midpoint on the indicator (ref 3, Fig.23).



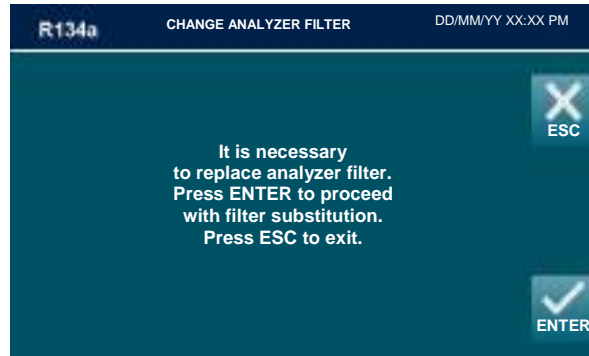
- 7) Replace the filling cap (ref 1, Fig.24) and tighten down.



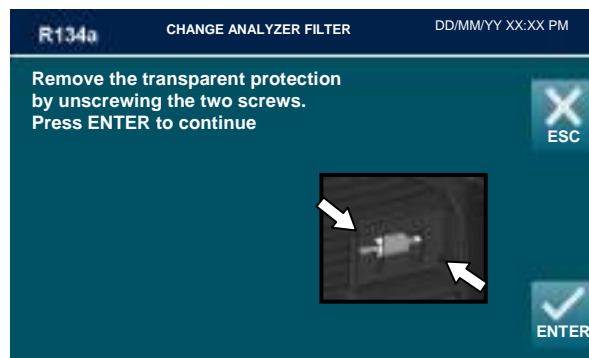
CHANGE ANALYZER FILTER (ECO NEXT ONE HFO only)

NOTE: Wear protective gloves and glasses

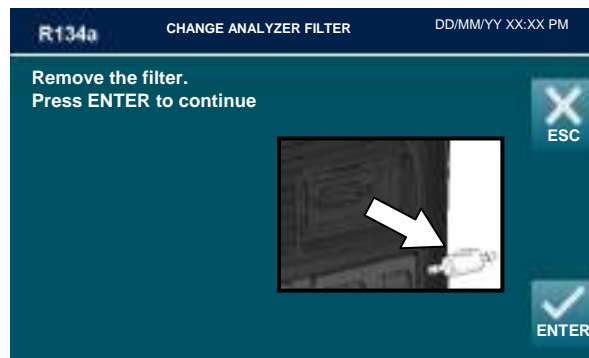
The gas analyzer filter must be replaced when the machine visualize the “change analyzer filter” alarm message (usually every 150 analysis):



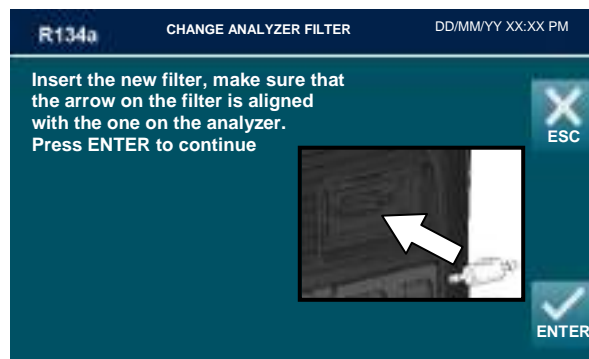
Press ENTER to proceed with filter substitution, the following screen will be displayed:



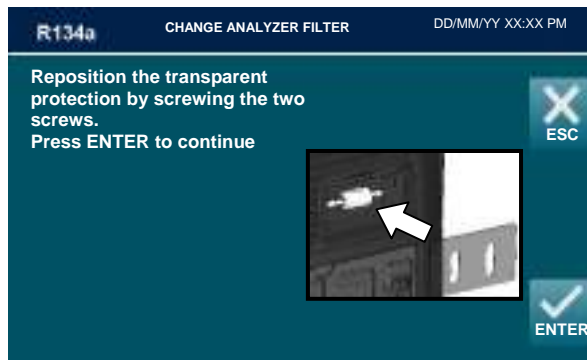
Remove the transparent protection by unscrewing the two screws. Press ENTER to continue, the following screen will be displayed:



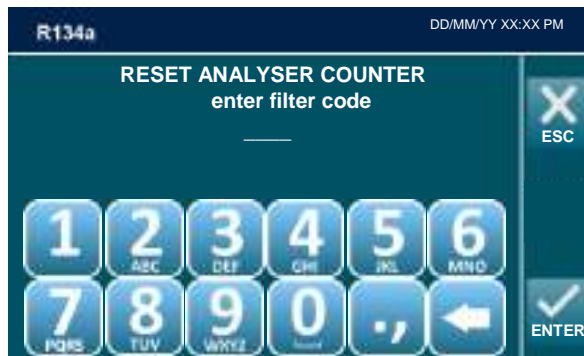
Remove the filter. Press ENTER to continue, the following screen will be displayed:



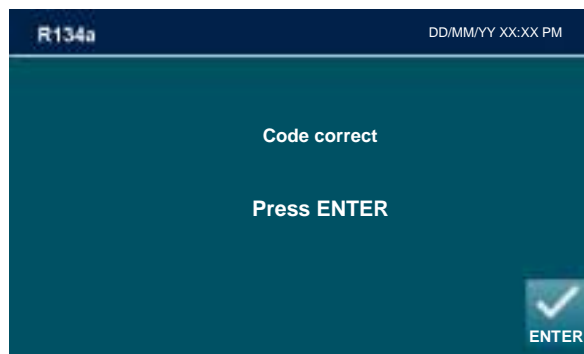
Insert the new filter, make sure that the arrow on the filter is aligned with the one on the analyzer. Press ENTER to continue, the following screen will be displayed:



Reposition the transparent protection by screwing the two screws. Press ENTER to continue, the following screen will be displayed:




Type the RESET CODE from the spare pair filters box, then press ENTER to continue, the following screen will be displayed:



RESET ANALYZER FILTER COUNTER is now successfully completed, press ENTER to exit.

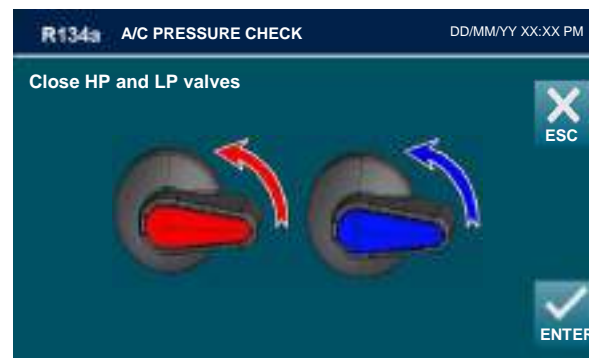
NOTE: Failure to replace the filters could result in oil damage to the analyzer and the voiding of the warranty.

A/C PRESSURES CHECK

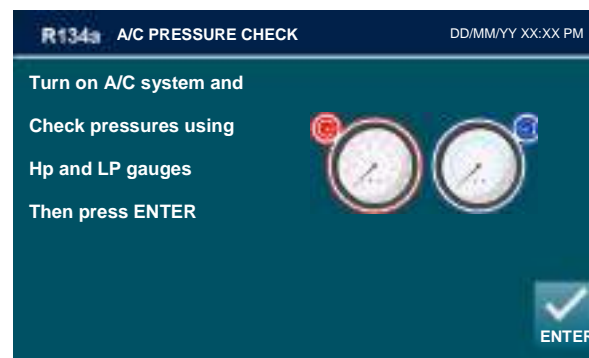
From MAINTENANCE scroll to page 2 with the arrow  and select A/C PRESSURES CHECK, the following screen will be displayed:



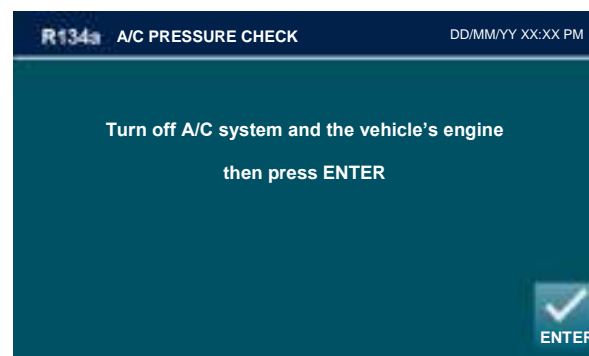
Connect and open the coupling connected to the A/C system, then press ENTER, press ESC to return back; the following screen is displayed:



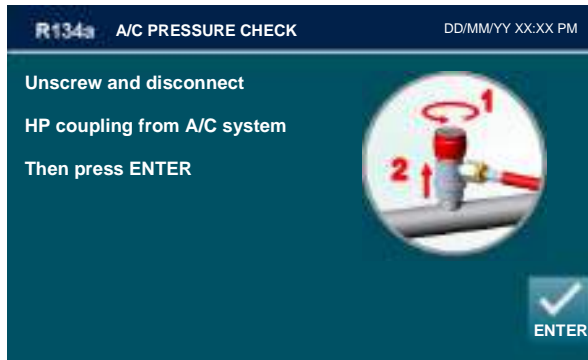
Close HP and LP valves. Press ENTER.



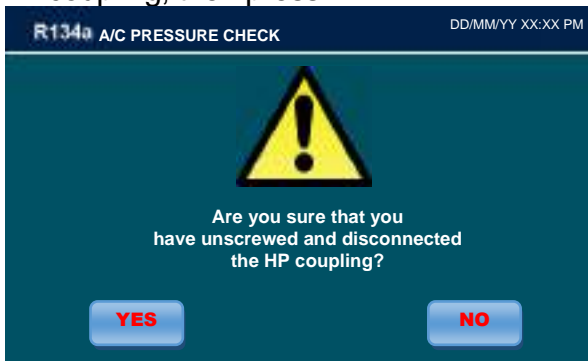
Turn on A/C system and check pressure using HP and LP gauges, then press ENTER:



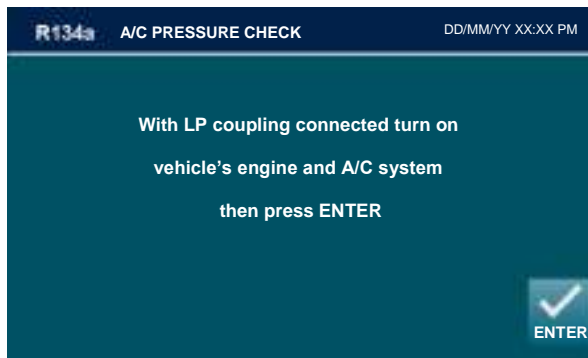
Turn off A/C system and the vehicle's engine, then press ENTER:



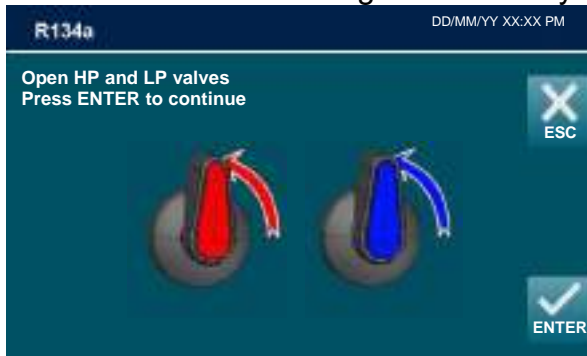
Unscrew and disconnect HP coupling, then press ENTER:



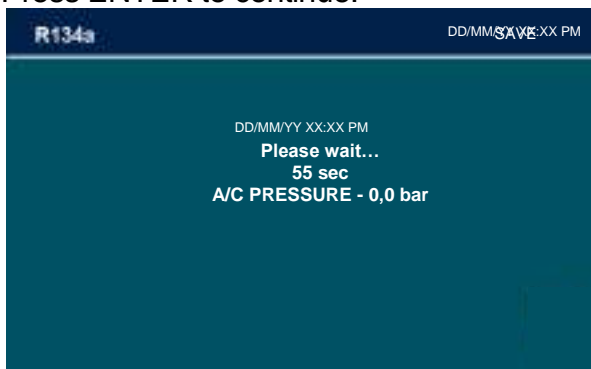
Press YES to confirm:



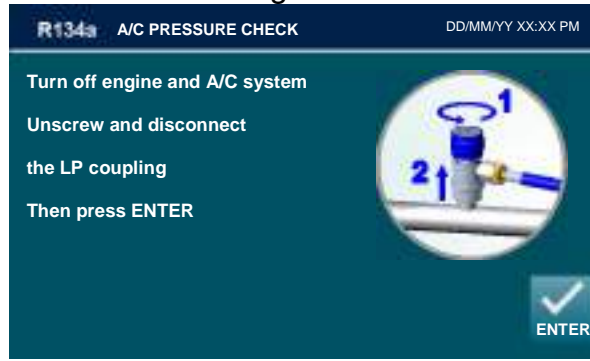
With LP coupling connected turn on the vehicle's engine and A/C system, then press ENTER:



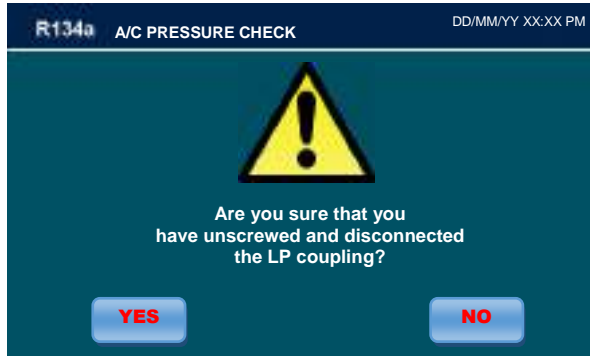
Open HP and LP valves. Press ENTER to continue:



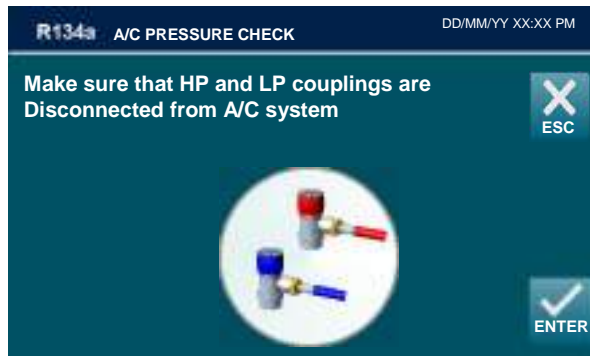
The vehicle's A/C system will recover the refrigerant from the service hoses, then:



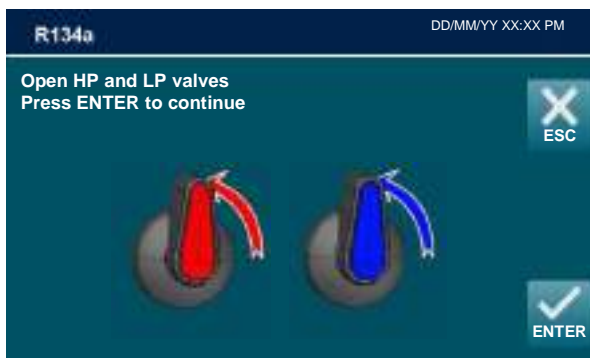
Turn off engine and A/C system, unscrew LP coupling without disconnect it, then press ENTER:



Press YES to confirm:



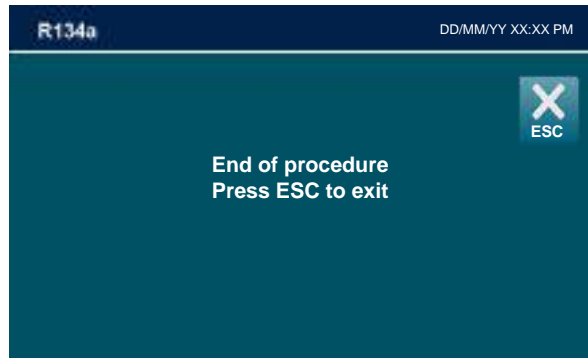
Make sure that HP and LP couplings are disconnected from A/C system:



Open HP and LP valves. Press ENTER to continue:




The machine will recover the residual refrigerant into the service hoses, then the following screen will be displayed:

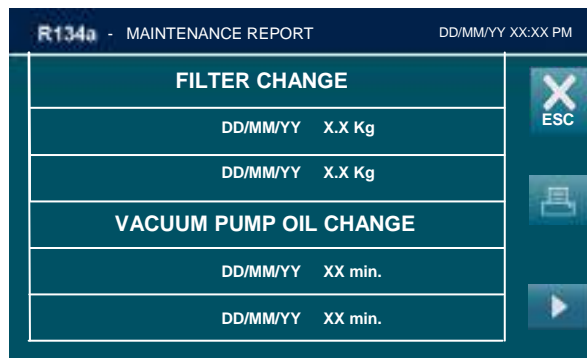


Disconnect coupling from A/C system, press ESC to return to the MAINTENANCE MENU; A/C PRESSURES CHECK is now successfully completed.

MAINTENANCE REPORT


The machine keeps track of the maintenance operations done.

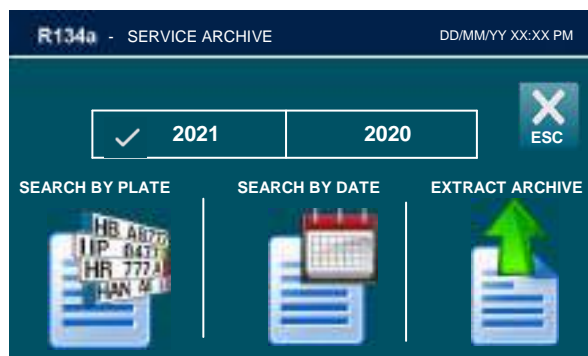
From MAINTENANCE scroll to page 2 with the arrow  and select MAINTENANCE REPORT the following screen will be displayed:



SERVICES ARCHIVE

The machine keeps track of the operations done on refrigerant fluid: recovery, system refilling, inner tank filling. For any operation, a record is made with date, time, type of operation, quantities involved, operator nr., inner tank refrigerant fluid availability.

From MAINTENANCE scroll to page 2 with the arrow  and select STATIC DIAGNOSIS the following screen will be displayed:

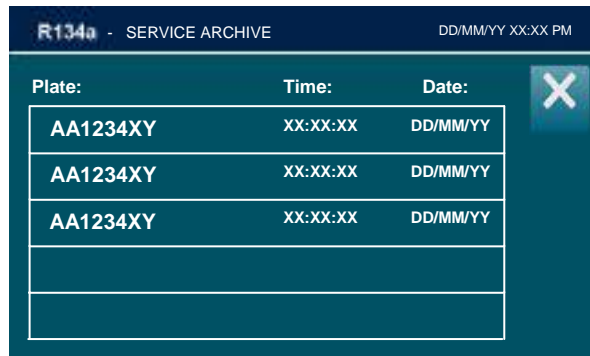


SEARCH BY PLATE

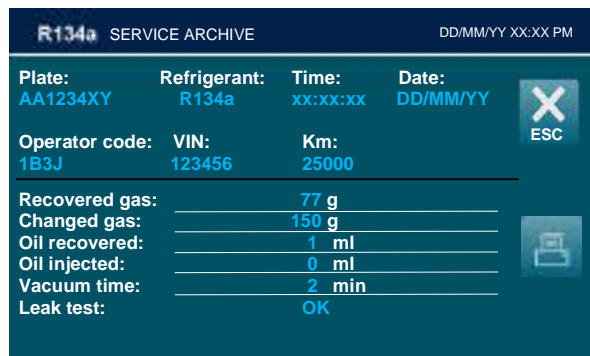
Selecting SEARCH BY PLATE, the following screen will be displayed:




Use the keypad to insert plate number to search, then press ENTER:



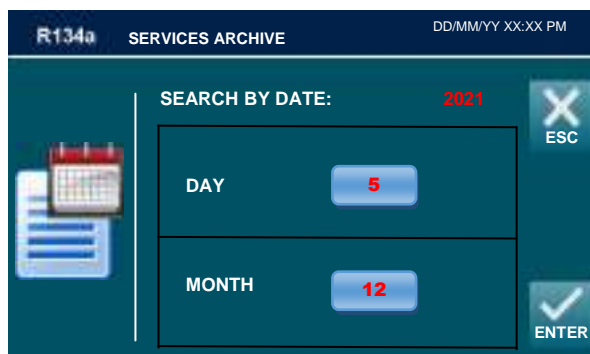
A list will be displayed, select service for detailed info:



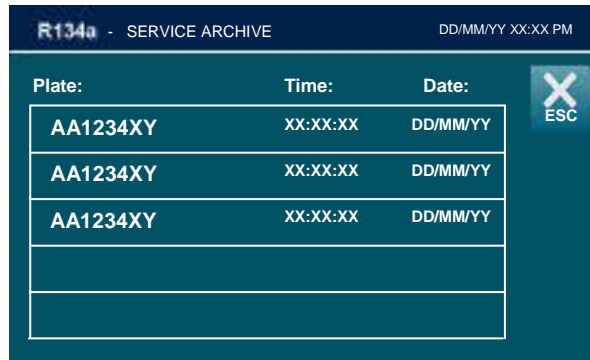
Press  to print the report of the service, or press ESC to return to previous menu.

SEARCH BY DATE

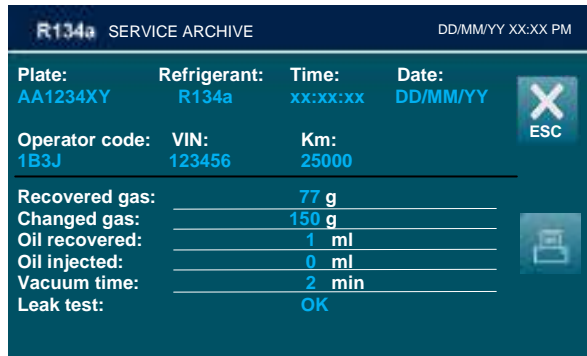
Selecting SEARCH BY DATE, the following screen will be displayed:




Insert date to search, then press ENTER:



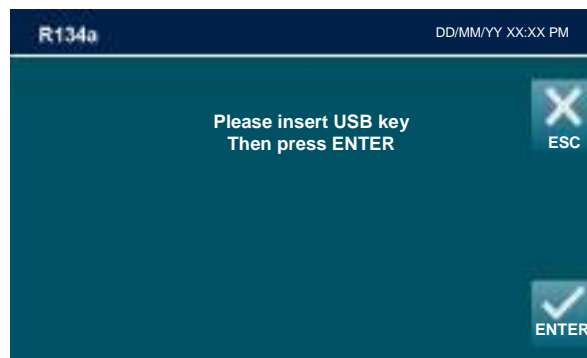
A list will be displayed, select service for detailed info:



Press  to print the report of the service, or press ESC to return to previous menu.

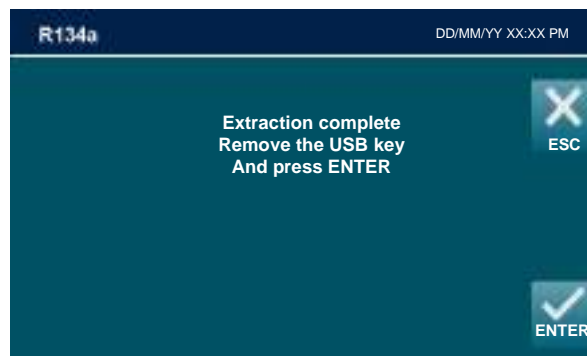
EXTRACT ARCHIVE

Selecting EXTRACT ARCHIVE, the following screen will be displayed:



Insert the storage device (FAT32, 256mb min.) in the USB port and press ENTER, to save to copy a .CSV file with all the operations into the Pendrive.

The following screen will be displayed for few seconds:



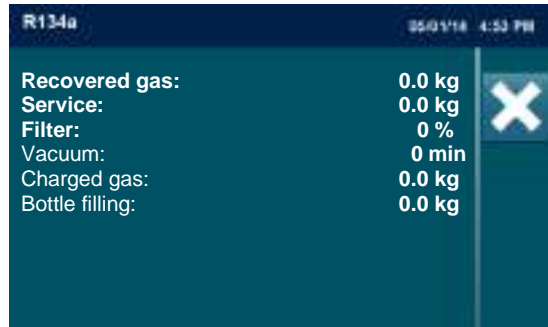
Extraction is now completed, the machine will return to the previous menu.


COUNTERS

This is used to check total COUNTERS of: recovered gas, service alarm meter, total vacuum minutes, injected gas, gas recovered into the tank with the tank refilling function.

From MAINTENANCE scroll to page 2 with the arrow  and select COUNTERS

the following screen will be displayed:



R134a		05/01/18 4:53 PM
Recovered gas:	0.0 kg	
Service:	0.0 kg	
Filter:	0 %	
Vacuum:	0 min	
Charged gas:	0.0 kg	
Bottle filling:	0.0 kg	

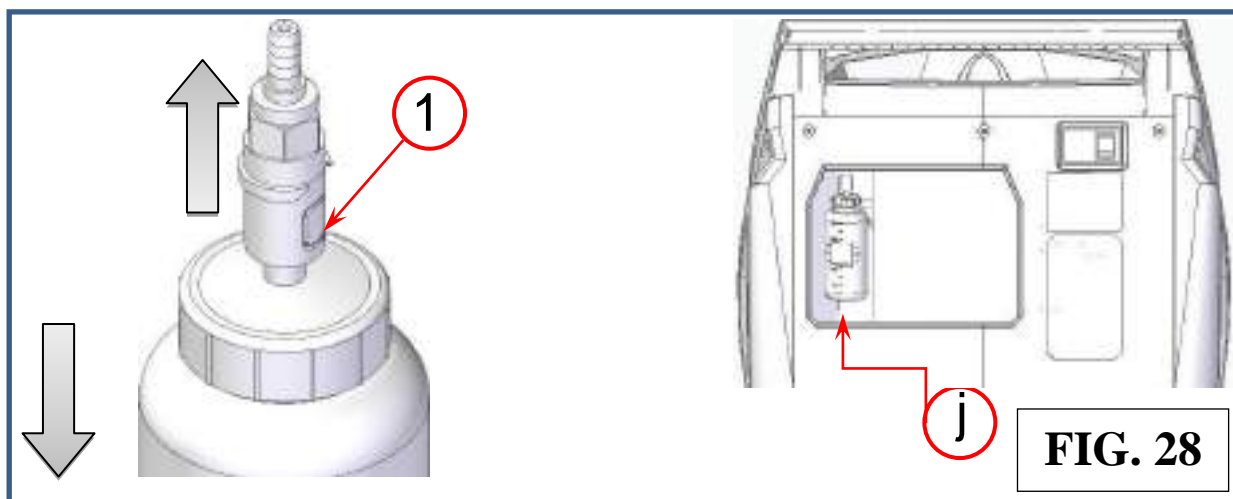
This screen displays the total values for: gas recovered, service alarm COUNTERS, total vacuum time (minutes), gas injected, gas recovered in the internal tank.

FILLING THE RECHARGEABLE NEW OIL CONTAINER (ECO NEXT ONE only)

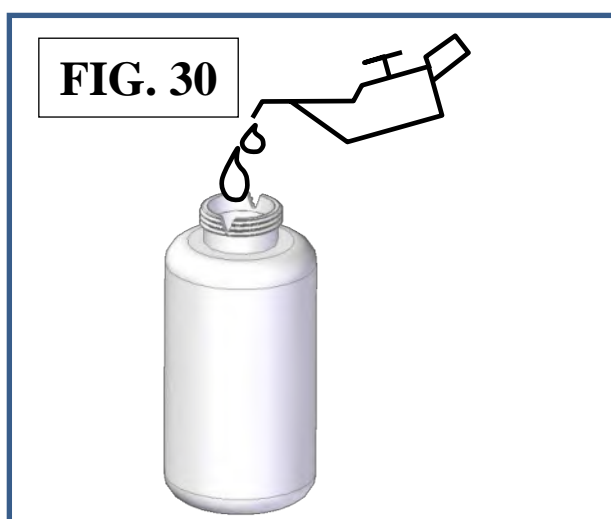
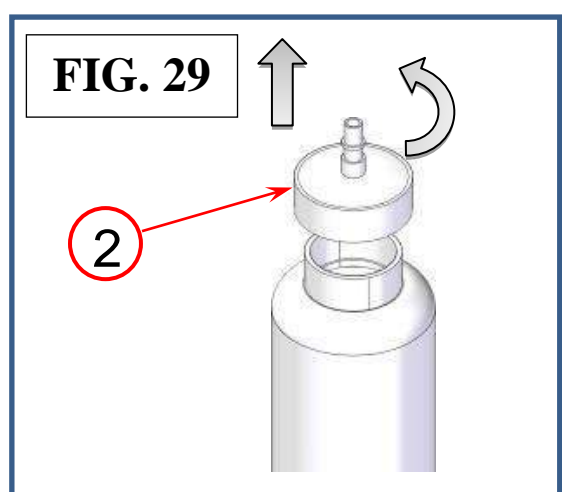
Types of oil: use only oils recommended by the manufacturer or by the car manufacturers. Always refer to the information provided by the A/C system manufacturer. Never use waste oil.

Procedure:

1. Press quick connection button (ref 1, Fig.28) to disconnect the oil container OIL container (ref j, Fig.28);
2. Remove the container from its lodging



3. Hold the container and unscrew the cap (ref 2, Fig.29). Fill the container (Fig.30) with the correct quantity (about 250-260ml) of oil for compressors, of suitable type and grade.



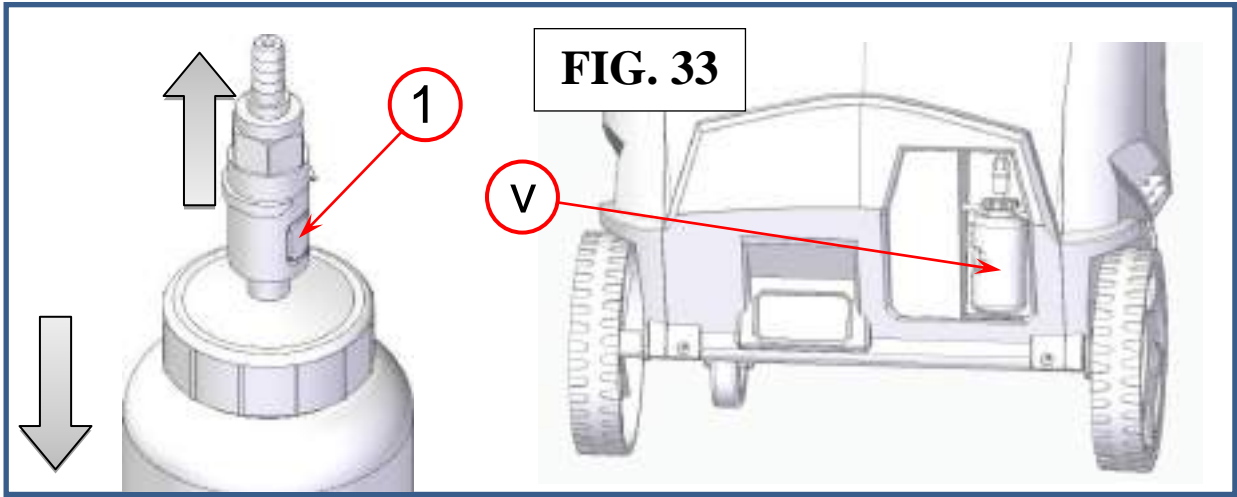
NOTE: in order to reduce humidity and air contamination of new oil, the collapsible container has to be filled almost to the brim.

4. Screw the cap (ref 2, Fig.29) back into the container.
5. Replace the container and hook it up to the quick connection taking care not to exert pressure on the scale in order not to damage it.

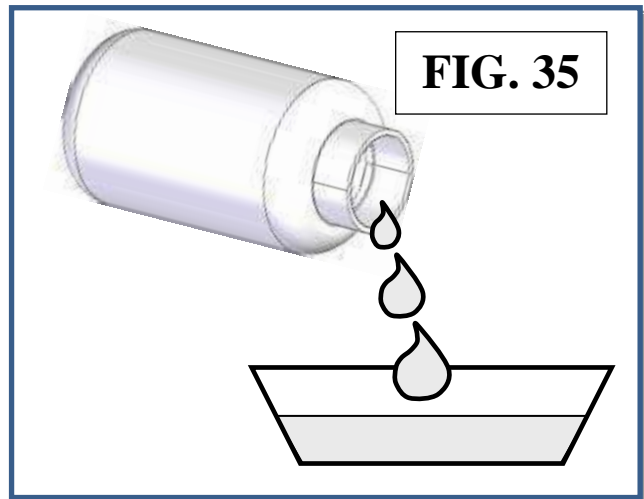
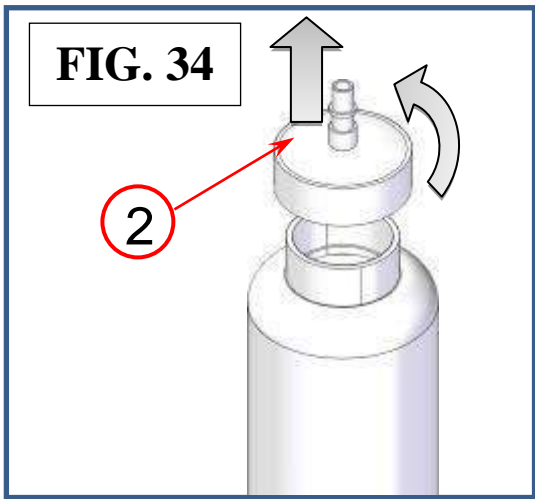
EMPTYING THE USED OIL CONTAINER

Procedure:

1. Press quick connection button (ref 1, Fig.33) to disconnect the used oil container
2. Lift the used oil container out of its lodging (ref v, Fig.33) without exerting pressure on the scale.



3. Unscrew the cap (ref 2, Fig.34) while holding the container; empty the used oil into a suitable container for used oils (Fig.35).



4. Screw the cap back into the container.
5. Replace the container and hook it up to the quick connection taking care not to exert pressure on the scale in order not to damage it.

NOTE: In order to avoid damage to the oil scale, never exert pressure on it either from above or from below.

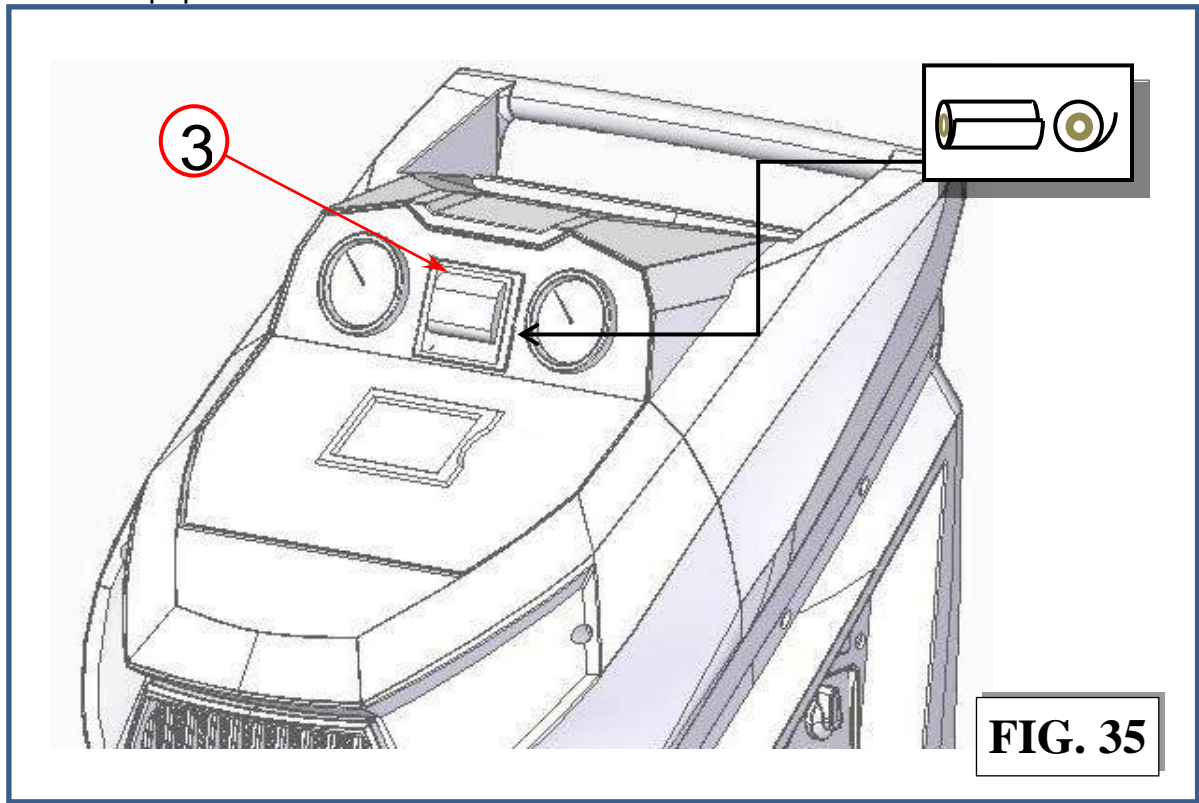
REPLACING THE PRINTER PAPER

Open the print cover (ref 3, Fig.35), and replace the paper roll with a new one

Use only heat-sensitive paper of the type described below.

Paper width: 58 mm

Maximum paper roll diameter: 40mm

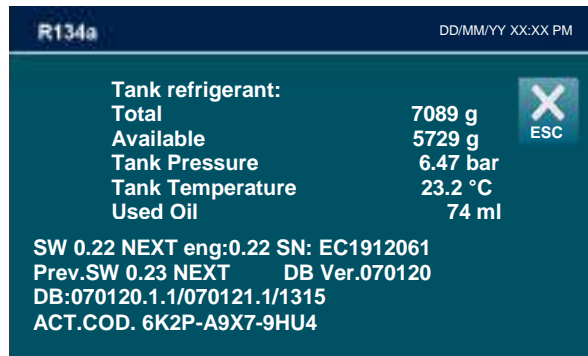


DATA

This menu shows all data read by the machine. From the MAIN MENU:



Press “i” key , the following screen will be displayed:



- Tank refrigerant:
 - Total: total amount of refrigerant in the storage tank
 - Available: quantity of refrigerant available in the storage tank.
- Tank Pressure: internal tank pressure
- Tank temperature: refrigerant storage tank temperature
- OIL: quantity of used Oil in the Used Oil containers
- SW V.: Software version

Press  to return to MAIN MENU.

CODES SUMMARY

OPTION code: 43210791

Manual de instrucciones

[MANUY1N.0B1]

ed.3

ÍNDICE

ÍNDICE	3
SEGURIDAD	5
<i>INFORMACIÓN DE SEGURIDAD</i>	5
PELIGRO DE EXPLOSIÓN	5
PELIGRO DE CALOR/CONGELACIÓN	5
MENSAJES GENERALES DE SEGURIDAD	6
PELIGROS DE INHALACION	7
INFORMACIÓN ADICIONAL DE SEGURIDAD	7
CONEXIÓN DE LAS MANGUERAS	8
DISPOSITIVOS DE SEGURIDAD	8
REFRIGERANTE Y LUBRICANTE - EQUIPACIÓN DE PROTECCIÓN PERSONAL Y PRECAUCIONES	8
PRECAUCIONES PARA EL MANEJO Y USO DE FLUIDOS R134a o R1234yf	9
INTRODUCCIÓN.....	10
<i>CERTIFICACIÓN</i>	10
<i>ACERCA DE ESTE MANUAL</i>	10
<i>ACERCA DE SU EQUIPO DE SERVICIO DE AIRE ACONDICIONADO</i>	11
CONDICIONES DE GARANTÍA	12
INFORMACIÓN GENERAL	13
PRINCIPIOS DE FUNCIONAMIENTO	15
CONFIGURACIÓN	16
<i>MONTAJE DE TUBOS</i>	16
<i>ESCALA DE REFRIGERANTE DE LANZAMIENTO</i>	17
<i>BLOQUEO ESCALA REFRIGERANTE</i>	16
LA MÁQUINA	18
<i>CUBIERTA DE PLASTICO</i>	18
<i>PANEL DE CONTROL</i>	17
<i>ICONOS DE LA PANTALLA</i>	20
<i>COMPONENTES BÁSICOS</i>	21
<i>ALARMAS</i>	28
<i>CÓDIGOS DE ERROR</i>	28
OPERACIONES PRELIMINARES.....	29
<i>MONTAJE RAPIDA</i>	29
CONFIGURACIÓN RÁPIDA.....	30
PROCEDIMIENTO AUTOMÁTICO	31
<i>EDICIÓN DE DATOS DE VACÍO:</i>	31
<i>EDITAR DATOS DE ACEITE (ECO NEXT ONE solamente):</i>	32
<i>EDITAR DATOS DEL LLENADO DE GAS</i>	32
<i>PROCEDIMIENTO ARRANQUE AUTOMÁTICO</i>	34
PROCEDIMIENTO MANUAL	39

<i>RECUPERACIÓN</i>	39
<i>VACÍO</i>	41
<i>INYECCIÓN DE ACEITE (ECO NEXT ONE solamente)</i>	44
PROCEDIMIENTO DE INICIO	46
<i>CARGA (para ECO NEXT ONE y ECO NEXT ONE HYBRID):</i>	49
PROCEDIMIENTO DE INICIO	49
<i>CARGA (ECO NEXT ONE HFO solamente):</i>	52
PROCEDIMIENTO DE INICIO	53
CONFIGURACIÓN	58
<i>PARAMETROS DE VACIO</i>	58
<i>OPCIONES</i>	59
<i>CONFIG. DE CABEZALE DE IMPRESIÓN</i>	59
<i>FIJAR FECHA Y HORA</i>	60
<i>IDIOMA</i>	60
<i>UNIDADES DE MEDIDA</i>	61
MANTENIMIENTO:	62
<i>RECARGA DE BOTELLA</i>	64
<i>PURGA DE AIRE MANUAL</i>	64
<i>ANALISIS DE GASES (ECO NEXT ONE HFO solamente)</i>	64
<i>VACIADO DE TUBOS</i>	66
<i>CAMBIO FILTRO SECADOR</i>	67
<i>BOMBA DE VACÍO</i>	71
M.1) RECARGA DE ACEITE	71
M.2) CAMBIO DE ACEITE	73
<i>CAMBIAR EL FILTRO DEL ANALIZADOR (ECO NEXT ONE HFO solamente)</i>	78
<i>CONTROL DE PRESION A/C</i>	78
<i>INFORME DE MANTENIMIENTO</i>	81
<i>ARCHIVO DE SERVICIOS</i>	81
BÚSQUEDA POR PLACA	82
BÚSQUEDA POR FECHA	82
EXTRAER ARCHIVO	83
<i>CONTADORES</i>	84
<i>RECARGA DEL CONTENEDOR DE ACEITE NUEVO RECARGABLE (ECO NEXT ONE solamente)</i>	85
<i>VACIADO DEL CONTENEDOR DE ACEITE USADO</i>	86
<i>REEMPLAZO DEL PAPEL DE LA IMPRESORA</i>	87
<i>DATOS</i>	88
<i>RESUMEN DE CÓDIGOS</i>	88

SEGURIDAD

La siguiente información de seguridad se ofrece como una guía para ayudarle a operar su nuevo sistema en las condiciones más seguras posibles. Cualquier equipo que utilice sustancias químicas puede ser potencialmente peligroso cuando no se conocen o no se siguen las instrucciones de manejo seguro. Las siguientes instrucciones de seguridad proporcionan al usuario la información necesaria para un uso y manejo seguros. Por favor, lea y conserve estas instrucciones para que haga un uso apropiado de su sistema de servicio.

INFORMACIÓN DE SEGURIDAD

Todo artesano respeta sus herramientas de trabajo. Ellos saben que las herramientas representan años de mejora constante en sus diseños y desarrollos. El verdadero artesano también sabe que las herramientas son peligrosas si se usan de forma incorrecta o se abusa de ellas. Para reducir el riesgo de malestar, enfermedad o incluso la muerte, es necesario leer, entender y seguir las siguientes instrucciones de seguridad. Además, asegúrese de que cualquier otra persona que utiliza este equipo entienda y siga estas instrucciones de seguridad.

LEA ATENTAMENTE TODA LA INFORMACIÓN DE SEGURIDAD antes de intentar instalar, operar o dar servicio a este equipo. El incumplimiento de estas instrucciones puede resultar en lesiones personales y/o daños materiales.

CONSERVE LA SIGUIENTE INFORMACIÓN DE SEGURIDAD PARA FUTURAS CONSULTAS.

Las normas publicadas en materia de seguridad están disponibles y se enumeran al final de esta sección bajo el título INFORMACIÓN ADICIONAL DE SEGURIDAD.

El Código Eléctrico Nacional, el reglamento de la Ley de Seguridad y Salud Ocupacional, los códigos industriales locales y los requisitos locales de inspección también proporcionan una base para la instalación de equipos, su uso y servicio.

Los siguientes símbolos de alerta de seguridad identifican los mensajes de seguridad importantes en este manual.

Cuando vea uno de los siguientes símbolos, debe estar alerta ante la posibilidad de lesiones personales y debe leer cuidadosamente el mensaje que le sigue.

PELIGRO DE EXPLOSIÓN

⚠Advertencia



Riesgo de explosión

- **No llene el tanque a más del 80% de su capacidad máxima.**

La explosión puede causar la muerte o lesiones personales.

PELIGRO DE CALOR/CONGELACIÓN

⚠Advertencia



Riesgo de lesiones personales

- **Maneje con precaución los refrigerantes y recipientes a presión.**
- **Use gafas de seguridad, guantes y ropa adecuada.**
- **Evite el contacto con la piel.**
- **Evite respirar el vapor nebulizado del lubricante y refrigerante del sistema de aire acondicionado.**



El contacto con el refrigerante puede causar riesgos para la salud, ceguera y otros daños físicos (congelación) y posiblemente la muerte.



Riesgo de lesiones personales y daños al equipo

- **Utilice siempre un identificador antes de recuperar el refrigerante de un vehículo.**



- **Recupere solo el refrigerante certificado para su uso con el producto.**

La recuperación de refrigerantes distintos a los certificados para la unidad puede causar lesiones, daños al equipo y posiblemente la muerte. Refrigerantes alternativos pueden contener materiales inflamables, tales como butano o propano y pueden explotar o provocar un incendio.



MENSAJES GENERALES DE SEGURIDAD

⚠ Advertencia



Riesgo de choque eléctrico

- **Desenchufe la unidad antes de realizar cualquier tarea de mantenimiento o limpieza.**
- **No use el aparato con el cable o enchufe dañado.**

Una descarga eléctrica puede causar lesiones o la muerte.

⚠ Advertencia



Riesgo de daño al equipo o al circuito

- **Desconecte siempre el equipo de la toma de corriente cuando no esté en uso.**
- **Nunca utilice el cable para sacar el enchufe de la toma de corriente. Sujete el enchufe y tire de él para desconectarlo.**
- **En caso de necesitar un cable de extensión, se debería utilizar un cable con una corriente nominal igual o mayor que la del equipo. Los cables de menor corriente pueden sobrecalentarse.**
- **NO adapte su unidad para un refrigerante diferente – el sistema no funcionará. Los sistemas con R134a o R1234yf presentan empalmes especiales (según las especificaciones SAE) para evitar la contaminación cruzada.**

El uso incorrecto del equipo puede causar daños en el mismo o en el circuito.

⚠ Advertencia



Riesgo de movimiento inesperado del vehículo

- **Bloquee las ruedas con cuñas antes de realizar una prueba con el motor en marcha.**
- **A menos que se indique lo contrario, coloque el freno de mano y el selector de marchas en neutro o aparcamiento.**
- **Si el vehículo tiene una liberación automática del freno de mano, desconecte el mecanismo de liberación para las pruebas y conéctelo nuevamente cuando haya terminado.**

- **No permita que transeúntes se ubiquen delante o detrás del vehículo durante las pruebas.**
- **No deje el motor en funcionamiento sin vigilancia.**
Un vehículo en movimiento puede causar la muerte o lesiones graves.

⚠ Advertencia



Riesgo de lesiones personales

- **Manténgase usted, su ropa y otros objetos alejados de las piezas calientes o móviles.**
- **Mantenga las mangueras y cables alejados de las piezas en movimiento.**
- **No utilice relojes, anillos o ropa suelta cuando trabaje en un compartimiento del motor.**

El contacto con partes calientes o móviles pueden causar lesiones.

PELIGROS DE INHALACION

⚠ Advertencia



Riesgo por peligros relacionados con humo, gas y vapor



- **Evite respirar el vapor nebulizado del lubricante y refrigerante del sistema de aire acondicionado.**
- **Realice siempre el mantenimiento del vehículo en un área bien ventilada.**
- **Nunca encienda el motor sin la ventilación adecuada para su escape.**

Humo, gases y vapores pueden causar irritación en los ojos, en la nariz y en la garganta, además de enfermedad o muerte.



INFORMACIÓN ADICIONAL DE SEGURIDAD

Para obtener información adicional de seguridad, consulte las siguientes normas:

Norma ANSI Z87.1 – SAFE PRACTICE FOR OCCUPATION AND EDUCATIONAL EYE AND FACE PROTECTION - Instituto de Normas Nacionales Norteamericano, 11 West 42nd St., Nueva York, NY 10036, Teléfono (212) 642-4900, Fax (212) 398-0023 - www.ansi.org

⚠ Cuidado

Riesgo por peligros relacionados con la ventilación



- **Debe tener al menos cuatro cambios de aire por hora o el equipo debería situarse a 18 pulgadas (457 mm) del pavimento.**

La poca ventilación puede causar irritación en los ojos, en la nariz y en la garganta, la enfermedad o la muerte.



Riesgo de explosión

- **No realice prueba de presión o prueba de fuga R134a o r1234yf al equipo y/o sistemas de aire acondicionado del vehículo con aire comprimido.**

Una explosión puede causar lesiones o la muerte.

NOTA: Use solamente lubricante nuevo para sustituir la cantidad eliminada durante el proceso de reciclado. El lubricante usado debe eliminarse según los requisitos federales, nacionales y locales.

El fabricante queda eximido de toda responsabilidad por los costos adicionales derivados de la falla del producto, entre los que se incluyen (aunque no se limite solo a ellos) la pérdida de tiempo de trabajo, la pérdida de refrigerante, contaminación cruzada de refrigerante y expedición no autorizada y/o cargos por manos de obra.

⚠ Peligro

Riesgo de explosión



- **Asegúrese de que solo está recuperando desde el empalme en el sistema de aire acondicionado.**
- **Algunos fabricantes de automóviles instalan un conector idéntico al empalme de baja presión del A/C en el colector de entrada de combustible**

Una explosión puede causar lesiones o la muerte.

⚠ Advertencia



Riesgo de lesiones personales

- **No use el aparato con el cable o manguera dañados.**
- **No use la unidad si está dañada, hasta que haya sido examinada por personal de servicio calificado.**

Las partes dañadas pueden causar lesiones o la muerte.

⚠ Advertencia



Posible daño al equipo e incendio

- **Solo enchufe el producto en un toma corriente estable de 120 voltios**
- **No conecte ni utilice la unidad en servicios de energía inestables**

Los voltajes altos y bajos pueden dañar la unidad y posiblemente provocar un incendio.

CONEXIÓN DE LAS MANGUERAS

Las mangueras pueden contener refrigerante bajo presión. Antes de desconectar el acoplador rápido, verifique la presión correspondiente en las mangueras de servicio (manómetro).

DISPOSITIVOS DE SEGURIDAD

La máquina está equipada con los siguientes dispositivos de seguridad:

INTERRUPTOR DE PRESIÓN DE SEGURIDAD: Detiene el compresor en caso de presión excesiva.

VÁLVULA DE SEGURIDAD: Se abre cuando la presión dentro del sistema alcanza un nivel de presión por encima de los límites estimados.

INTERRUPTOR PRINCIPAL: Conecta y desconecta la máquina a la alimentación eléctrica CA. Desconecte el cable de alimentación principal de la fuente de alimentación eléctrica antes del mantenimiento.

NO SE PERMITE NINGÚN TIPO DE MANIPULACIÓN DE LOS DISPOSITIVOS DE SEGURIDAD MENCIONADOS ANTERIORMENTE.

REFRIGERANTE Y LUBRICANTE - EQUIPACIÓN DE PROTECCIÓN PERSONAL Y PRECAUCIONES

⚠ Advertencia



Riesgo de lesiones personales

- **Manejar con precaución los refrigerantes y recipientes a presión.**
- **Use gafas de seguridad, guantes y ropa adecuada.**
- **Evite el contacto con la piel.**



El contacto con el refrigerante puede causar riesgos para la salud, ceguera y otros daños físicos (congelación).

Riesgo de daño al equipo y lesiones personales

- **Debe ser operado por personal certificado.**
- **No retire los sellos de las válvulas de seguridad y los sistemas de control.**
- **No utilice tanques externos u otros recipientes de almacenamiento que no estén aprobados.**
- **No bloquee las salidas de aire y equipos de ventilación.**

El uso incorrecto del equipo puede causar daños en el mismo y lesiones personales.

PRECAUCIONES PARA EL MANEJO Y USO DE FLUIDOS R134a O R1234yf

⚠ Advertencia

Riesgo de lesiones personales. Riesgo por la manipulación de contenedores presurizados R134a o R1234yf

- **Evite la inhalación de vapores altamente concentrados.**
- **Evite el uso de R134a o R1234yf cerca de llamas abiertas y elementos incandescentes.**
- **Use ropa de protección para asegurarse de que ningún chorro de líquido o gas puedan entrar en contacto con la piel.**
- **Use gafas para evitar el contacto con los ojos.**
- **Evite dispersar en la atmósfera el fluido refrigerante R134a o R1234yf utilizado en la máquina.**

El mal manejo de contenedores a presión R134a o R1234yf puede causar pérdida de la conciencia, lesión o muerte.

INTRODUCCIÓN

Snap-on® Modelo No. ECO NEXT ONE, ECO NEXT ONE HYBRID, ECO NEXT ONE HFO está aprobado por los laboratorios ETL de conformidad con la norma SAE J2788 y J2843. Nos dedicamos a la solución de los problemas relacionados con la contención segura y el manejo adecuado de los refrigerantes. Su nueva máquina incorpora la más reciente tecnología así como características de última generación para ayudarle a realizar el mantenimiento de los sistemas de refrigeración y aire acondicionado con R134a o R1234yf. Esperamos que disfrute este equipo tanto como lo hicimos nosotros durante su diseño y construcción.

CERTIFICACIÓN

Todos los técnicos que abren un circuito de refrigeración en sistemas de acondicionamiento del aire en autos deben estar certificados para realizar los procedimientos de recuperación y reciclado del refrigerante en cumplimiento de la sección 609 de la enmienda a la Ley del Aire Limpio en ambientes cerrados de 1990. Llame a MACS Worldwide al número (215) 631-7020 para obtener información sobre la certificación

ACERCA DE ESTE MANUAL

⚠Cuidado



Este manual incluye un resumen sobre la seguridad, preparación de la máquina para el uso, procedimientos de funcionamiento e instrucciones de mantenimiento para su equipo de servicio de aire acondicionado.



Las personas que deseen utilizar la máquina deberían estar familiarizadas con TODA la información contenida en este manual (especialmente con el resumen sobre la seguridad) antes de intentar usarla.

Antes de utilizar esta máquina por primera vez, cumpla todas las instrucciones de preparación para su uso.

Si no ha preparado correctamente su nueva máquina para realizar un servicio, los datos de mantenimiento pueden ser incorrectos. Siga todos los procedimientos en el orden indicado para realizar un mantenimiento completo del aire acondicionado. Tómese el tiempo necesario para estudiar este manual antes de usar la máquina. Conserve este manual a su alcance para futuras consultas. Preste mucha atención al resumen sobre la seguridad y a todas las advertencias y precauciones indicadas en todo el manual. Envíe la tarjeta de la garantía adjunta para activar la garantía publicada.

⚠Cuidado



La máquina se ha diseñado para utilizarse solamente en un espacio cerrado.

ACERCA DE SU EQUIPO DE SERVICIO DE AIRE ACONDICIONADO

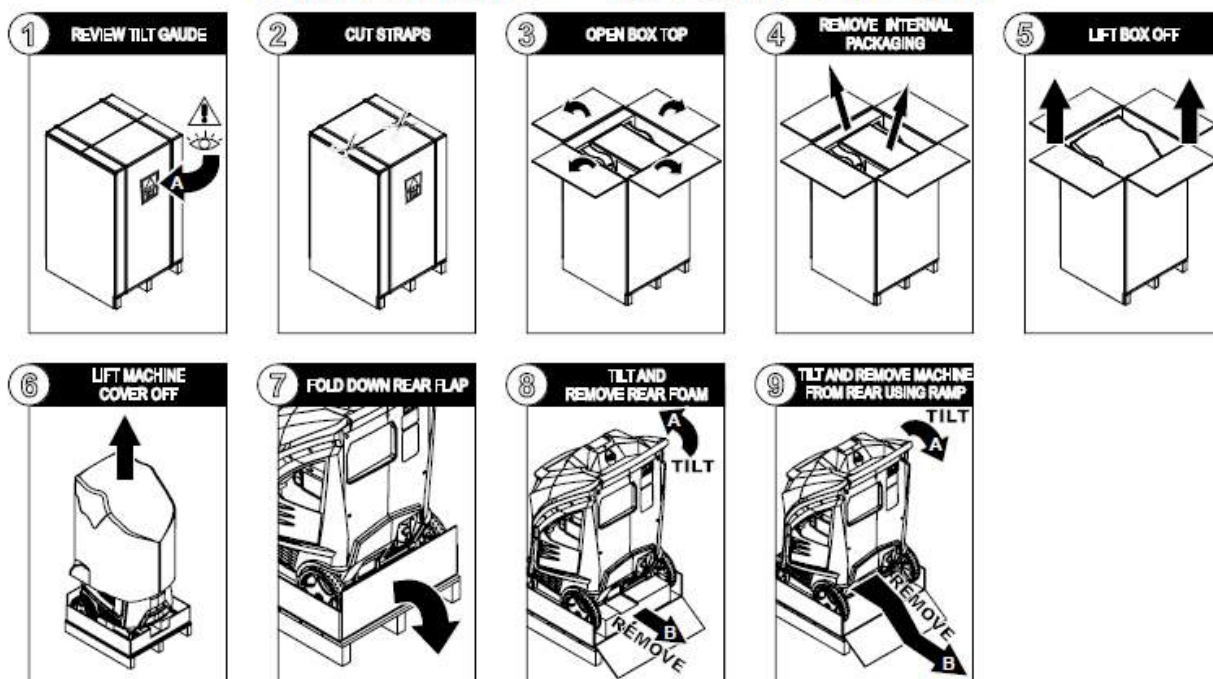
Su máquina incorpora una balanza electrónica de gran precisión para determinar los pesos de carga, etc. También podrá realizar otras funciones con la balanza electrónica, como verá durante los procesos de funcionamiento. Puede seleccionar otros estándares o unidades métricas de medida. Esta máquina es una pieza de equipo diseñado para recuperar el R134a o R1234yf de los sistemas de aire acondicionado (A/C) para vehículos y funcionar según los objetivos del Protocolo de Montreal.

CONDICIONES DE GARANTÍA

Remitirse al folleto de las CONDICIONES DE GARANTÍA suministrado con la máquina.

- 1 Revise la guía de inclinación y el sello del kit de accesorios
- 2 Corte las correas
- 3 Abra la caja por la parte superior
- 4 Retire el embalaje interior
- 5 Retire la caja
- 6 Retire la cubierta de la máquina
- 7 Despliegue la pestaña trasera
- 8 Incline la máquina y retire la espuma de la parte posterior
- 9 Incline la máquina desde la parte posterior y retírela con ayuda de la rampa

UNPACKING INSTRUCTIONS



NOTA: Conserve el embalaje original y reutilícelo para su posterior transporte.

NOTA: use la manija (ref.7, Fig.9) para mover la máquina.

INFORMACIÓN GENERAL

La información de identificación de la máquina está impresa en la placa de datos (ver Fig. 1).
Dimensiones generales de la máquina:

Altura: 1080 mm Ancho: 660 mm
Profundidad: 690 mm Altura: 63 kg
Temperatura operativa 10/50 °C Temperatura de almacenamiento -25/+50 °C

Tensión (V)	Potencia (W)	Frecuencia (Hz)
110	1100	50/60

Como cualquier equipo con partes móviles, la máquina inevitablemente produce ruido. El sistema de construcción, paneles y las disposiciones especiales adoptadas por el fabricante son tales que durante el trabajo el nivel promedio de ruido de la máquina no supera los 64 dB (A).

PRECAUCION: evitar el uso de extensiones externas y verificar que todos los sistemas eléctricos y dispositivos conectados cumplen con la normativa vigente y en buen estado de

conservación

NAMEPLATE

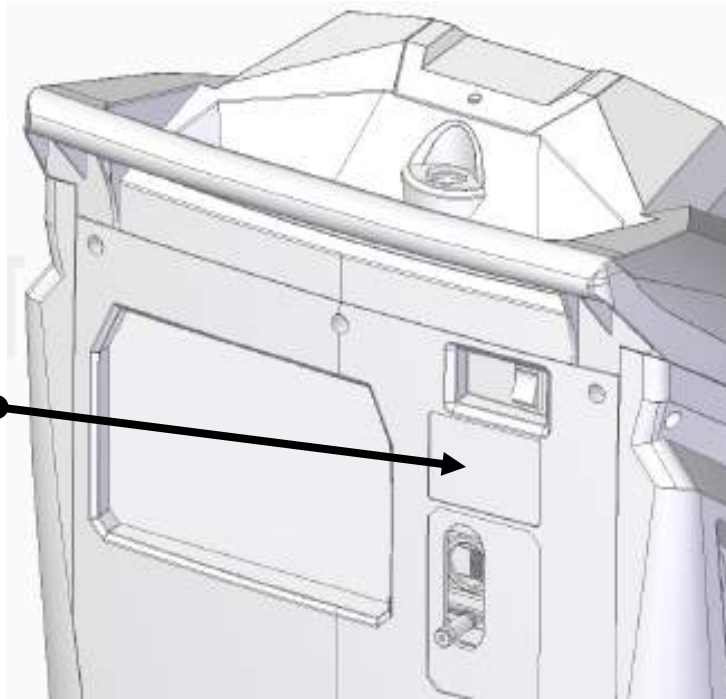


FIG. 1

PRINCIPIOS DE FUNCIONAMIENTO

En una serie de operaciones, la máquina permite la recuperación y reciclado de fluido refrigerante (R134yf o R1234yf según el modelo de máquina), sin riesgo de liberación de los fluidos en el ambiente, y permite también purgar el sistema A/C de humedad y depósitos contenidos en el aceite.

La máquina de hecho está equipada con un evaporador/separador incorporado que elimina el aceite y otras impurezas del líquido refrigerante recuperado desde el sistema A/C y las recoge en un recipiente para tal fin.

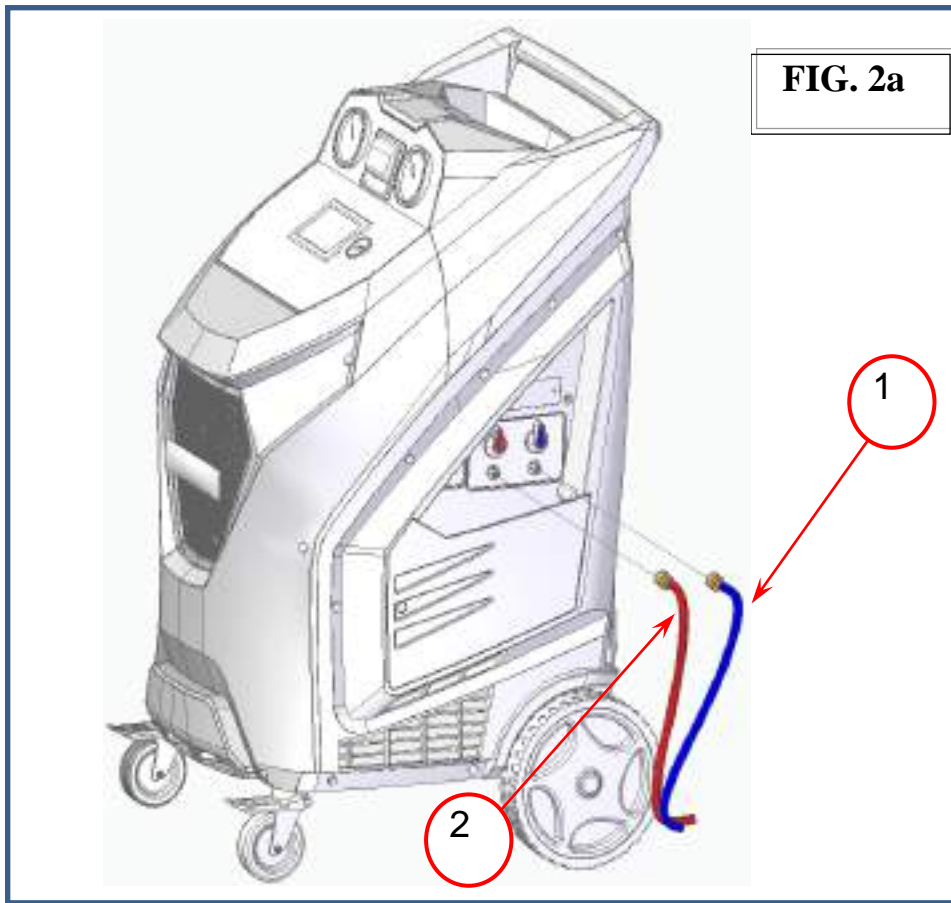
El líquido es entonces filtrado y vuelve perfectamente reciclado a la botella instalada en la máquina.

La máquina también permite ejecutar ciertas pruebas de funcionamiento y sellado en el sistema A/C.

CONFIGURACIÓN

MONTAJE DE TUBOS

Teniendo en cuenta la Figura 2a, monte la manguera (ver 1, Fig. 2a) con el acoplamiento de conexión rápida AZUL al conector macho roscado marcado con el símbolo de BAJA PRESIÓN AZUL y el acoplamiento de conexión rápida ROJO (ver 2, Fig. 2a) al conector macho roscado marcado por el símbolo de ALTA PRESIÓN ROJO. Coloque la placa identificativa de gas autoadhesiva (ver 3, Fig. 2a).



ESCALA DE REFRIGERANTE DE LANZAMIENTO

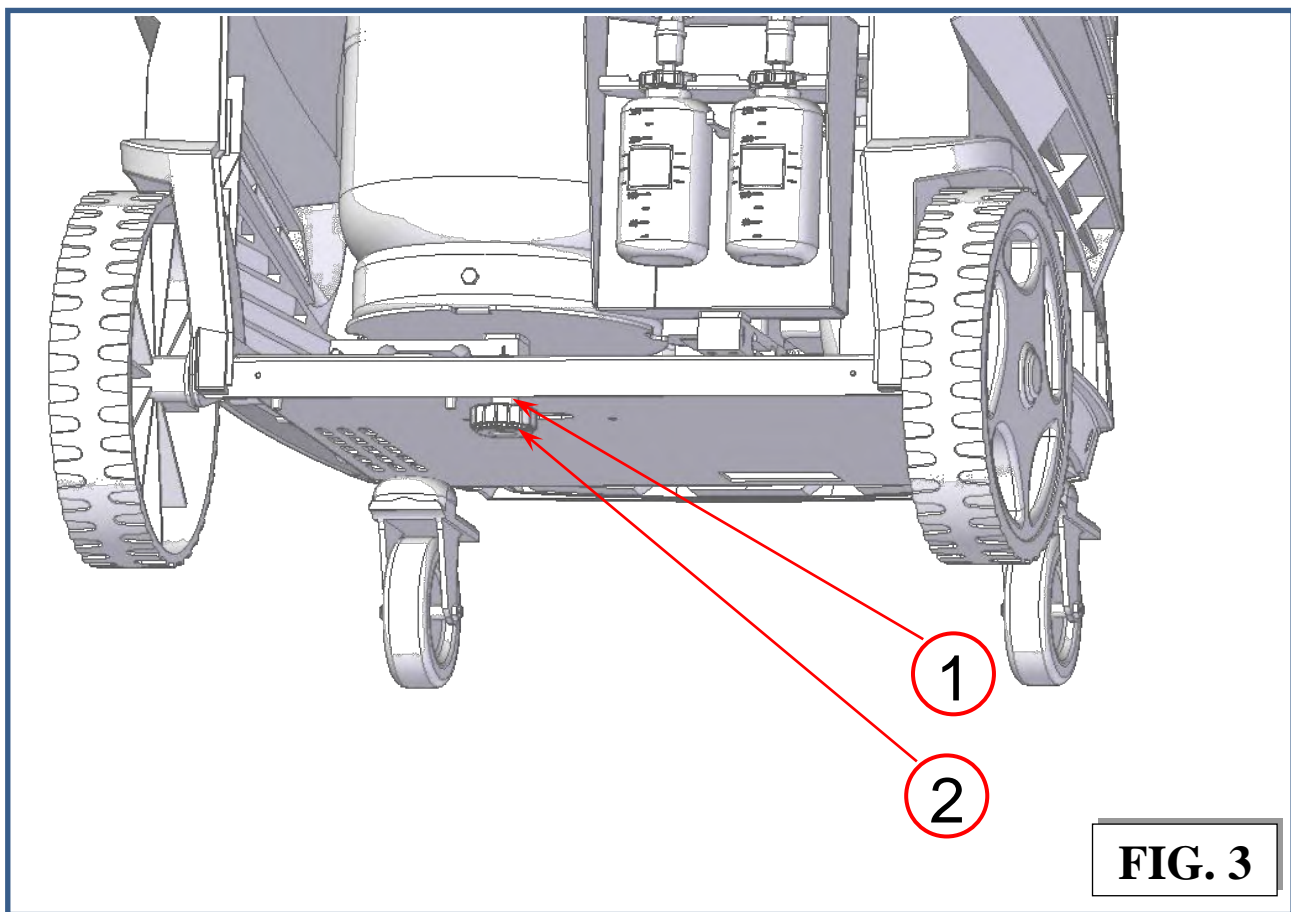
1. Para retirar las protecciones debajo de la escala de refrigerante, la tuerca de bloqueo debe estar sin apretar (ref. 1, Fig. 3), la perilla (ref. 2, Fig. 3) debe desatornillarse, retirarse y almacenarse en un lugar seguro.
2. Conecte la máquina al suministro eléctrico y enciéndala.
3. Compruebe si el valor de la escala de refrigerante es correcto.

BLOQUEO ESCALA REFRIGERANTE

NOTA: en caso de que el equipo deba transportarse, la escala de la botella de refrigerante se debe bloquear en su lugar de la siguiente manera:

1. Encienda la máquina.
2. Apriete la perilla (ref.2, Fig.3) hasta que la pantalla muestre la disponibilidad de CERO. Apriete la tuerca (ref.1, Fig.3)

NOTA: compruebe que los contenedores de aceite estén correctamente colocados en su alojamiento



LA MÁQUINA

CUBIERTA DE PLÁSTICO

Consulte la Fig. 4

1. Cuerpo plástico frontal
2. Cuerpo plástico posterior
3. Cuerpo plástico superior

Desmontaje: desenroscar los tornillos marcados (+)

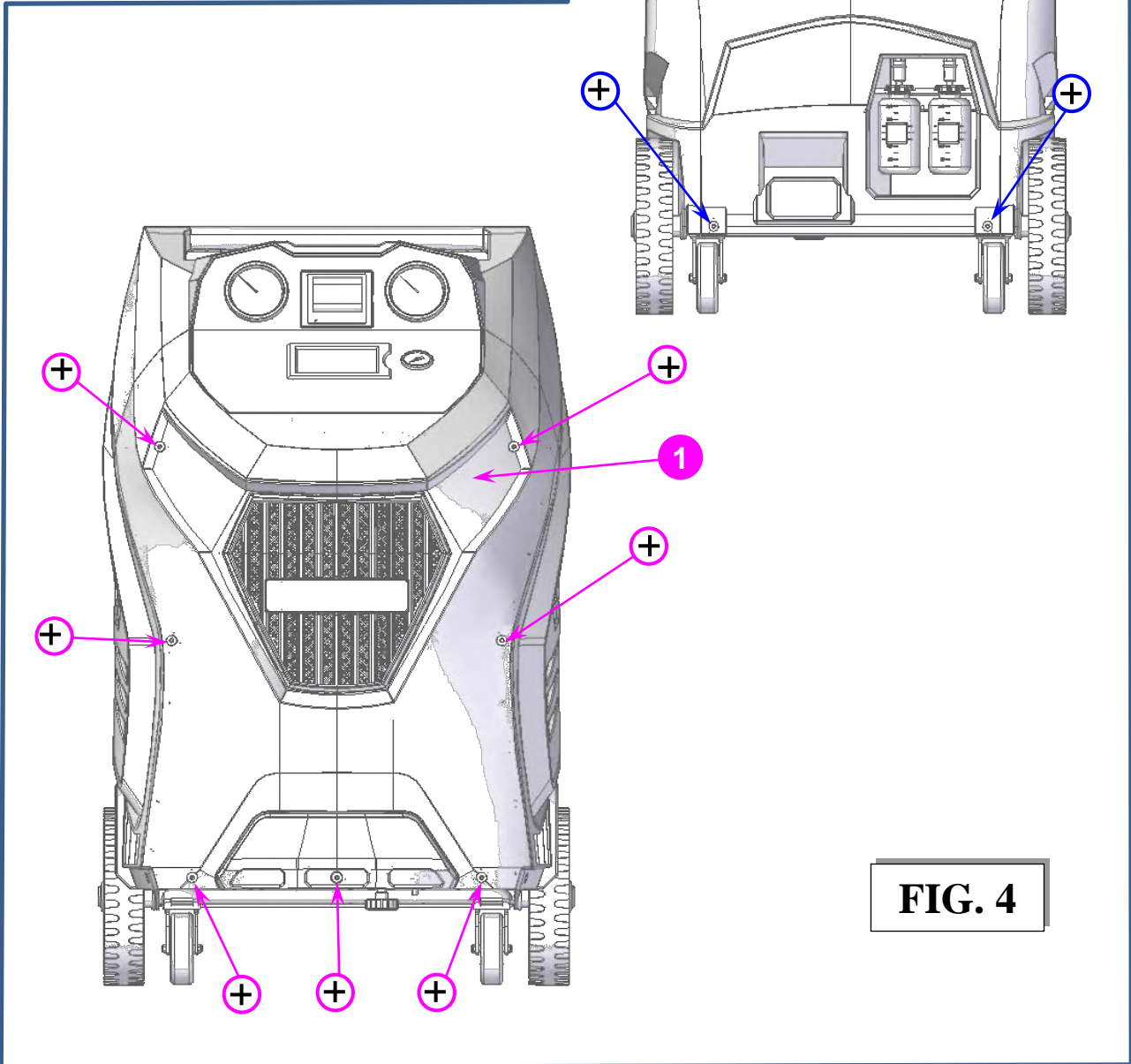
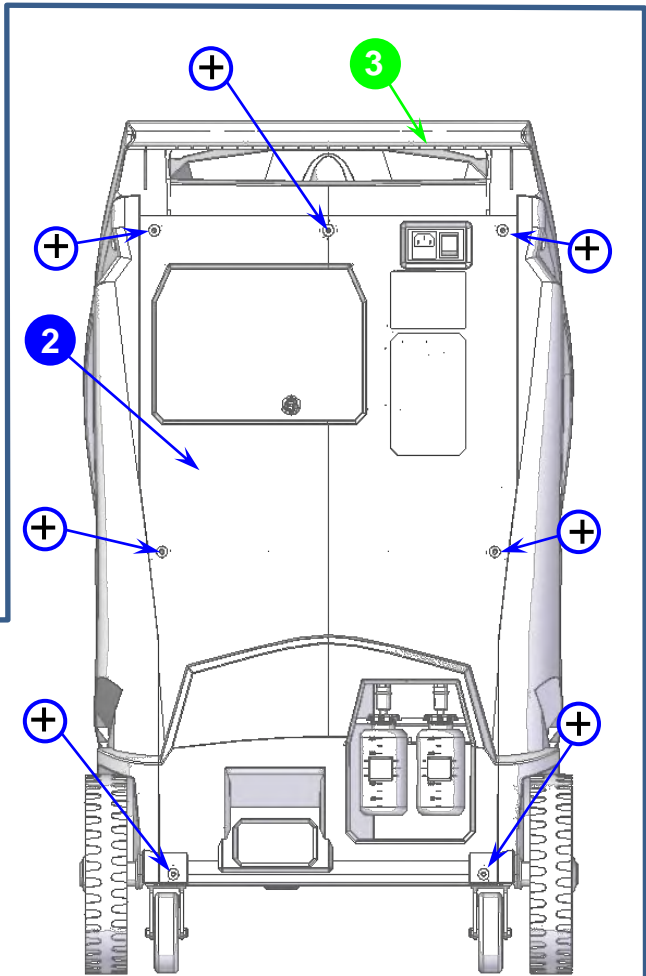
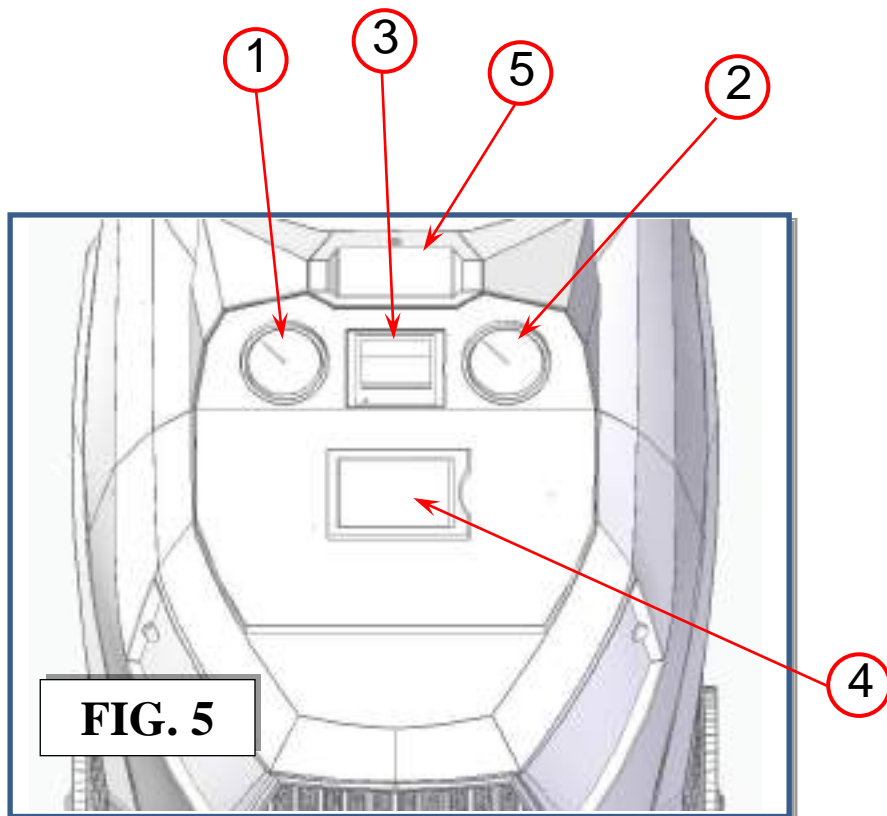


FIG. 4



PANEL DE CONTROL

Consulte la Fig. 5:

- 1) Manómetro de alta presión
- 2) Manómetro de baja presión
- 3) Impresora (opcional)
- 4) Pantalla táctil de 5"
- 5) Luz de estado



ICONOS DE LA PANTALLA

ICONO	DESCRIPCIÓN	FUNCIÓN
	PROCEDIMIENTO AUTOMÁTICO	activa un menú que ayuda al usuario a configurar una secuencia automática de carga/prueba fuga/vacío/recuperación.
	PROCEDIMIENTO MANUAL	activa un menú que ayuda al usuario a realizar una operación manual:
	RECUPERACIÓN ESTÁNDAR	activa un menú que ayuda al usuario a realizar la fase de recuperación/reciclado (sin conformidad con las normas SAE J-2788 o SAE J-2843)
	VACÍO	activa un menú que ayuda al usuario a realizar la fase de vacío
	INYECCIÓN DE ACEITE	activa un menú que ayuda al usuario a realizar la inyección de aceite seguida de la fase de llenado de gas
	CARGA DE GAS	activa un menú que le permite al usuario realizar una fase de CARGA de gas
	CONFIGURACIÓN	activa el menú de configuración de la estación de servicio
	MANTENIMIENTO:	activa el menú de mantenimiento de la estación de servicio
	INFO	activa el menú que contiene toda la información de la estación de servicio
	ADELANTE	Introduzca el símbolo, para confirmar.
	ESPALDA	Símbolo de vuelta, para volver sin confirmar.
	PARADA	Símbolo de parada, para detener una fase.
	IMPRESORA	Imprimir símbolo, para imprimir datos
	FLECHA	Símbolo de flecha, para moverse en el menú.

COMPONENTES BÁSICOS

Consulte la Fig.7, Fig.8, Fig.9, Fig.10, Fig.11, Fig.12, Fig.13:

- a) Puerto USB
- b) Luz de estado
- c) Interruptor principal
- d) Analizador de gases (solo ECO NEXT ONE HFO)
- e) CONEXIÓN HP HYBRID (ECO NEXT ONE HYBRID y HFO solamente)
- f) Impresora
- g) CONEXIÓN LP HYBRID (ECO NEXT ONE HYBRID y HFO solamente)
- h) Rejilla de ventilación
- i) CONEXIÓN DE PURGA CONTAMINADA (solo HFO)
- j) Cartucho de aceite
- k) Balanza de aceite
- l) Balanza del depósito
- m) Condensador+Ventilador
- n) Rueda giratoria delantera
- o) Colector
- p) Panel de control basculable
- q) ---
- r) Tapón de llenado de la bomba de aceite
- s) Pomo de bloqueo del depósito de refrigerante
- t) Rueda trasera
- u) Contenedor de aceite nuevo
- v) Contenedor de aceite usado
- w) Tanque de refrigerante
- x) ---
- y) ---
- z) Filtro del secador
- 1) Bomba de vacío
- 2) Compresor
- 3) Válvula manual LP
- 4) Válvula manual HP
- 5) Conexión rápida LP
- 6) Conexión rápida HP
- 7) Empuñadura
- 8) ----
- 9) Placa madre

(*) si está instalada, depende del modelo de máquina

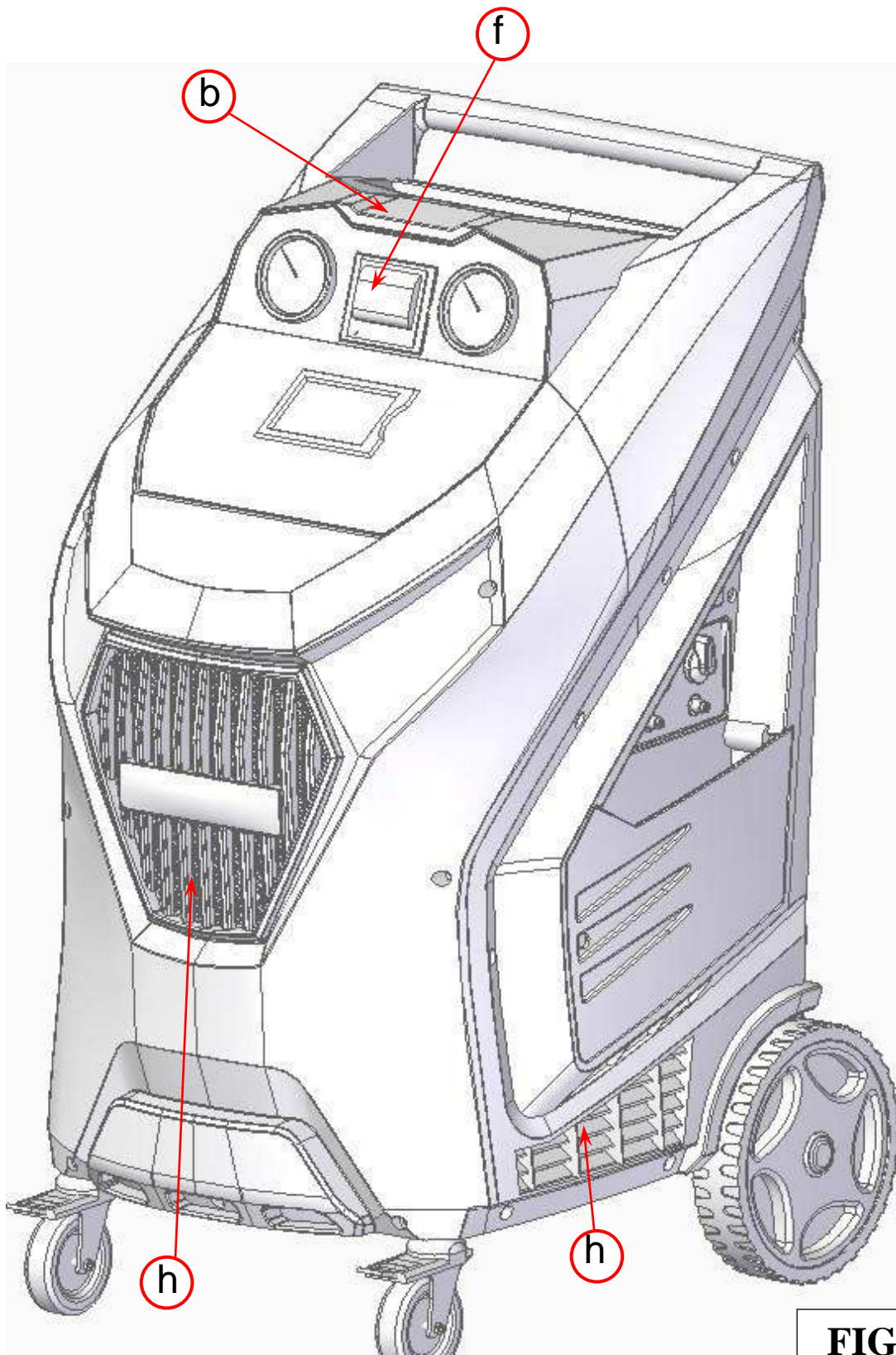


FIG.7

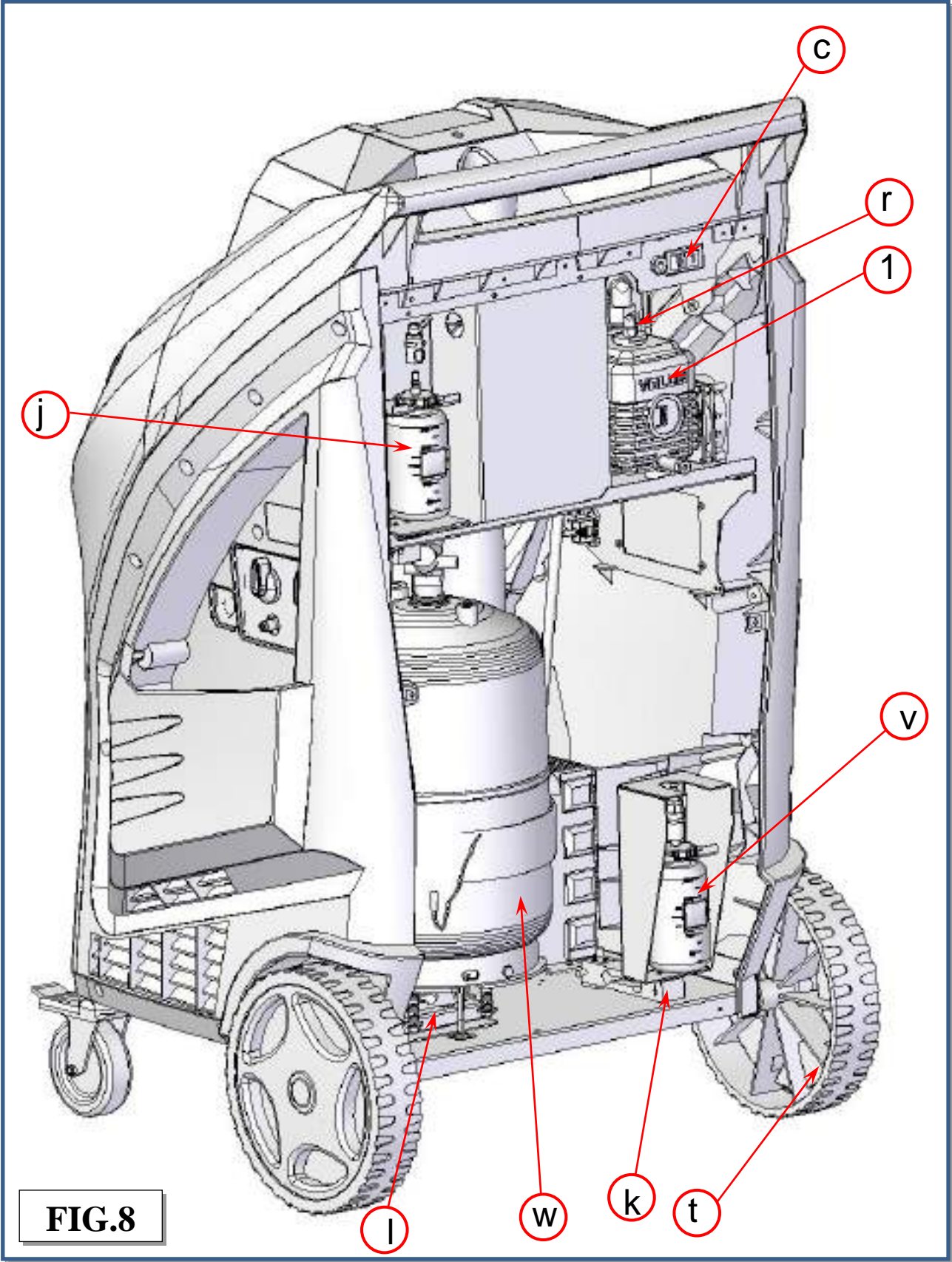


FIG.8

ESPAÑOL

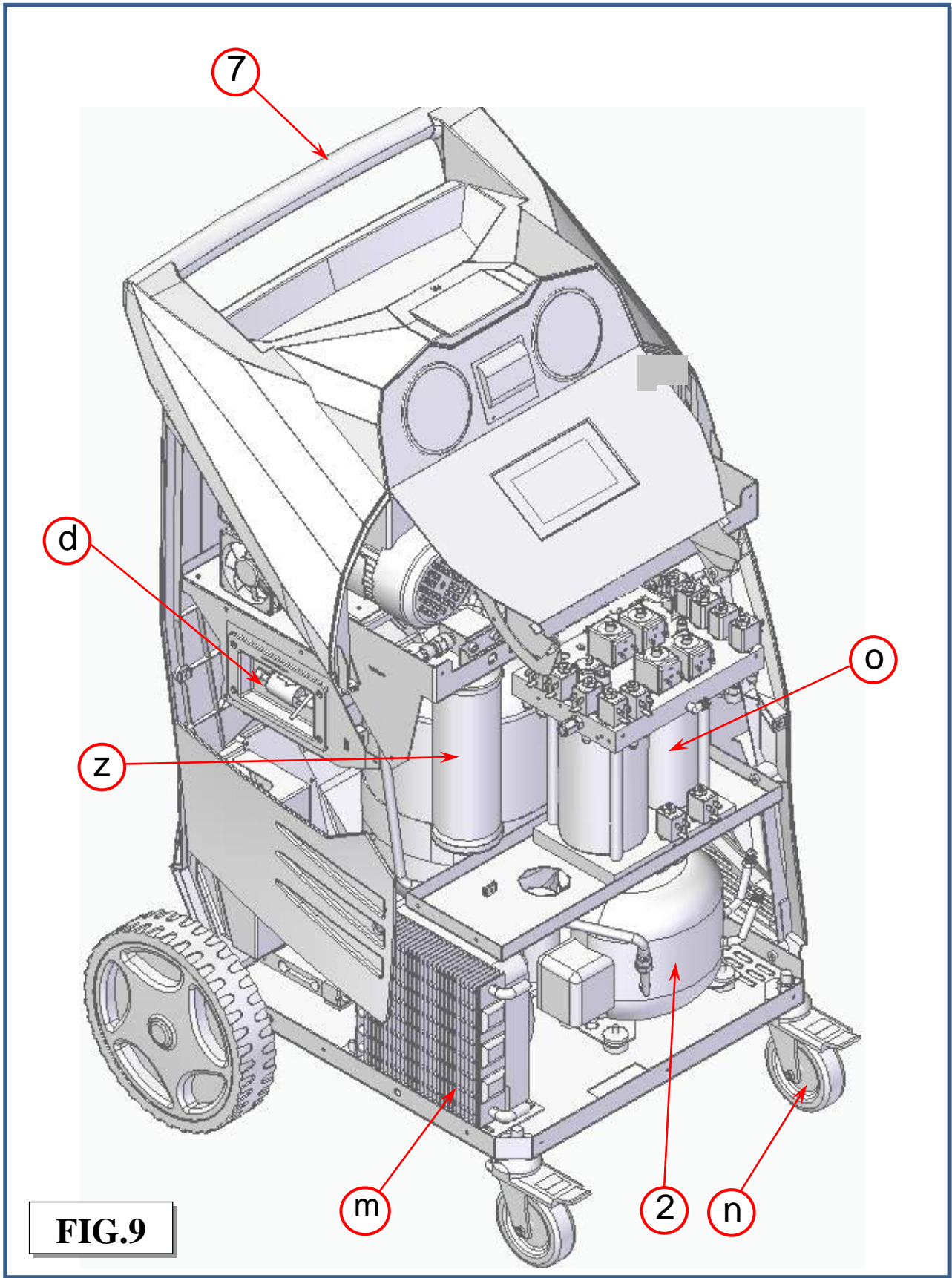


FIG.9

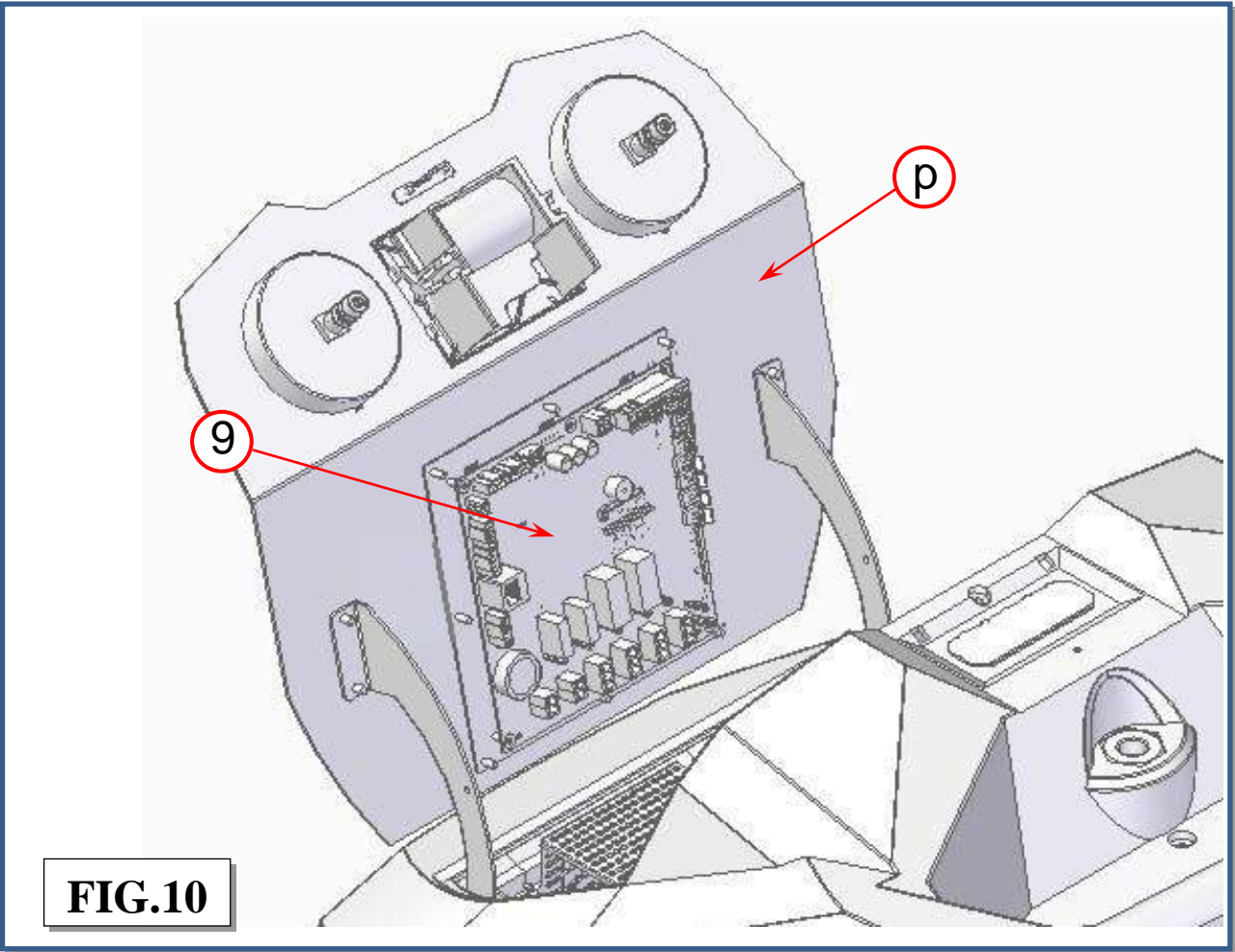


FIG.10

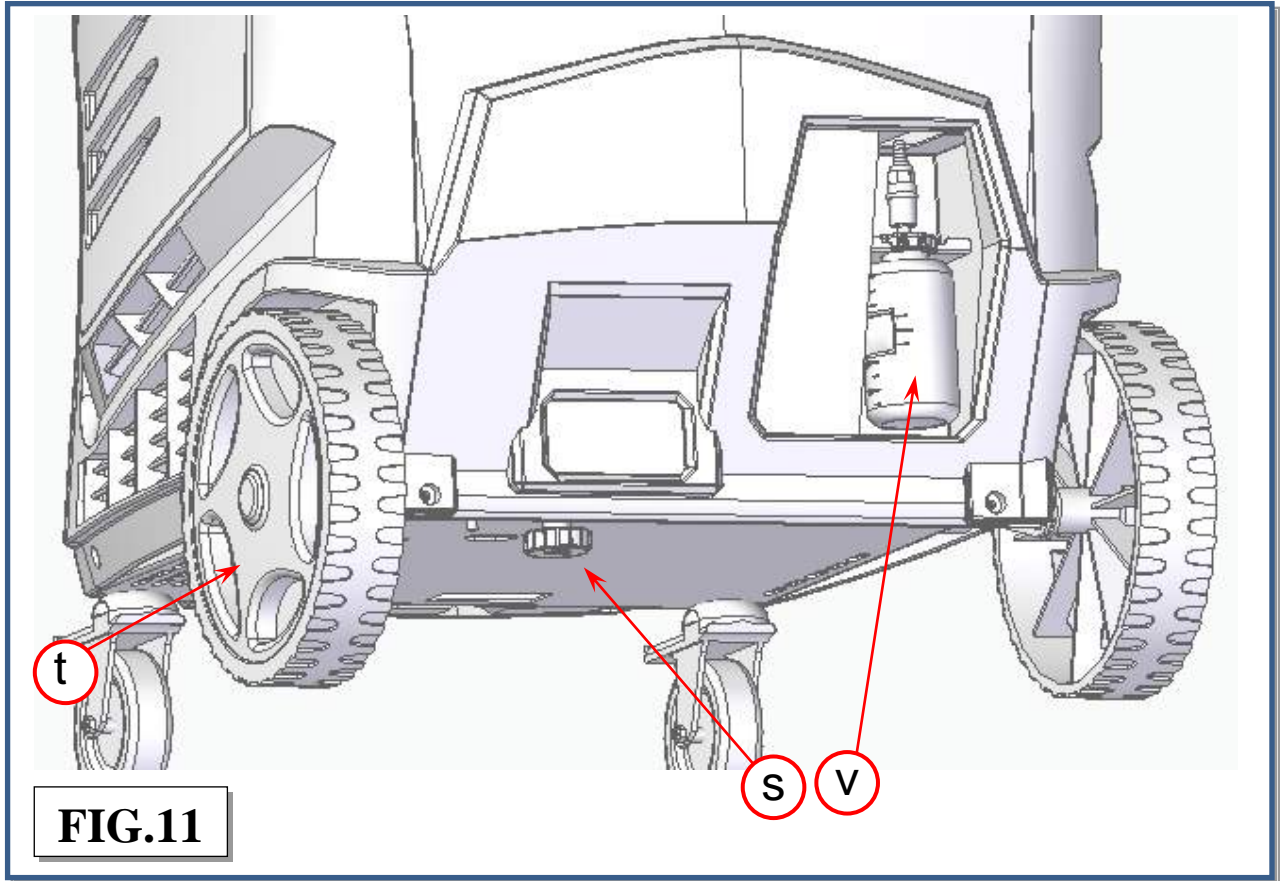


FIG.11

ESPAÑOL

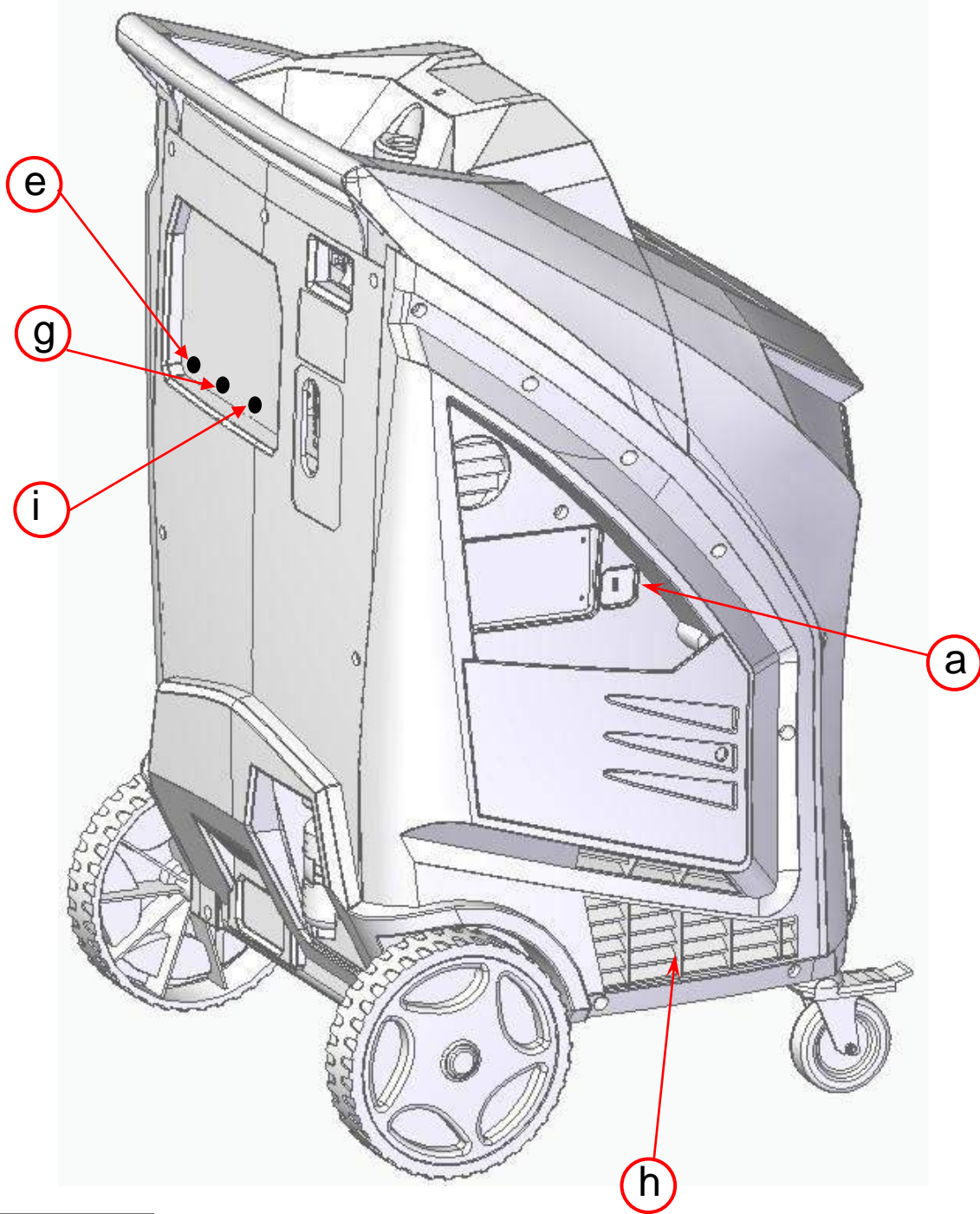
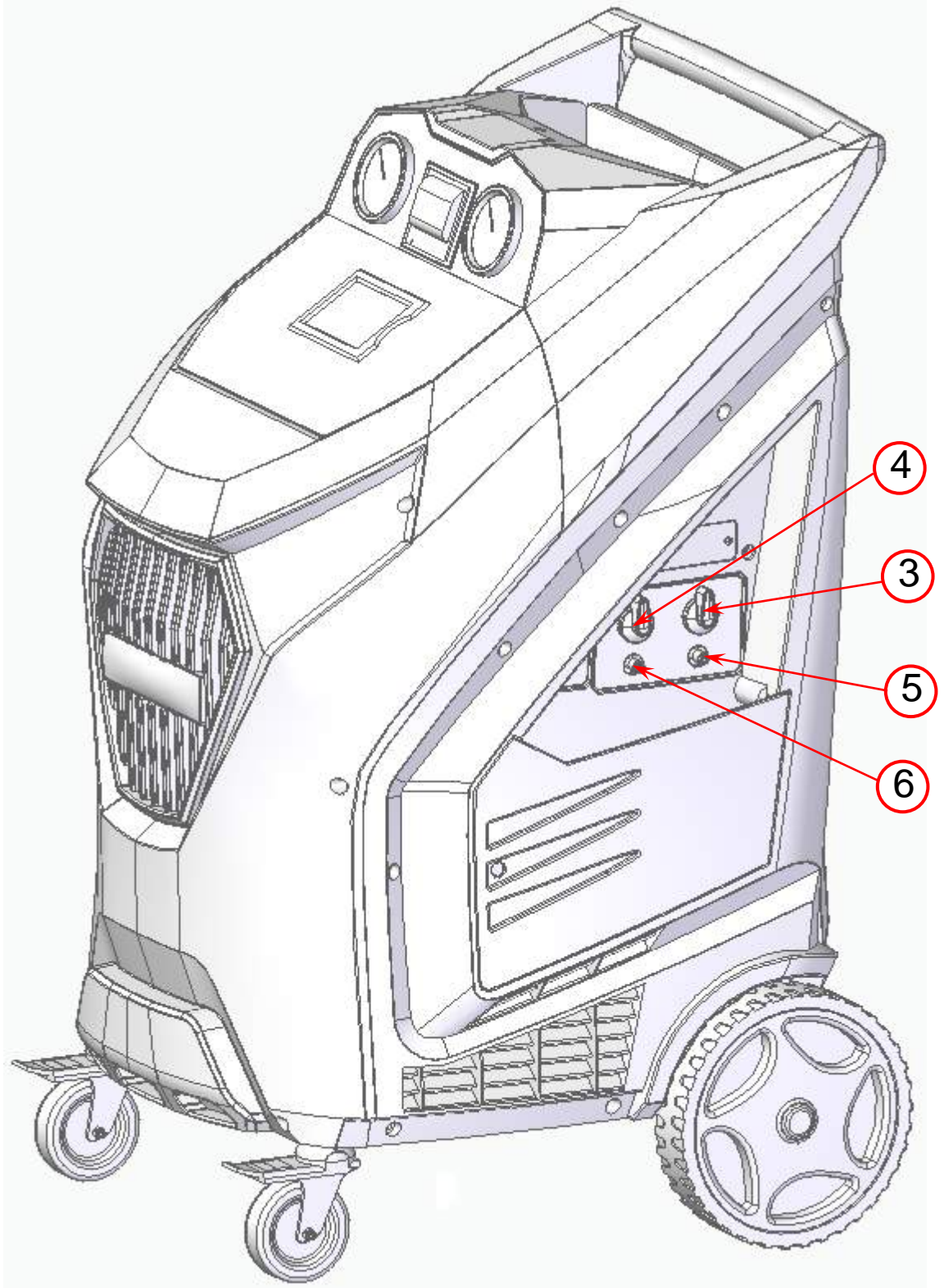


FIG.12



ESPAÑOL

FIG.13

SEÑALES LUMINOSAS

La máquina está provista de una luz de ESTADO (ver. b, Fig. 7).

Las señales luminosas son los siguientes:

- VERDE (FIJO): Unidad lista
- VERDE (PARPADEANDO): Acción completada
- AMARILLO: Unidad en funcionamiento
- ROJO: necesita atención o hay un problema

ALARMAS

ALARMA DE ALTA PRESIÓN: Un localizador avisa cuando la presión del fluido en el circuito es demasiado alta (20bar). La operación de recuperación se ha interrumpido automáticamente.

DEPÓSITO LLENO: Un dispositivo acústico notifica cuando el depósito está lleno con más del 80 % de su capacidad máxima

(10 kg para un depósito de 12 l). La operación de RECUPERACIÓN se interrumpe automáticamente (para cancelar esta alarma, cargar uno o más sistemas A/C antes de recuperar más refrigerante).

DEPÓSITO VACÍO: Un dispositivo acústico notifica cuando la cantidad del fluido refrigerante contenido en el depósito es baja (menos de 2 kg).

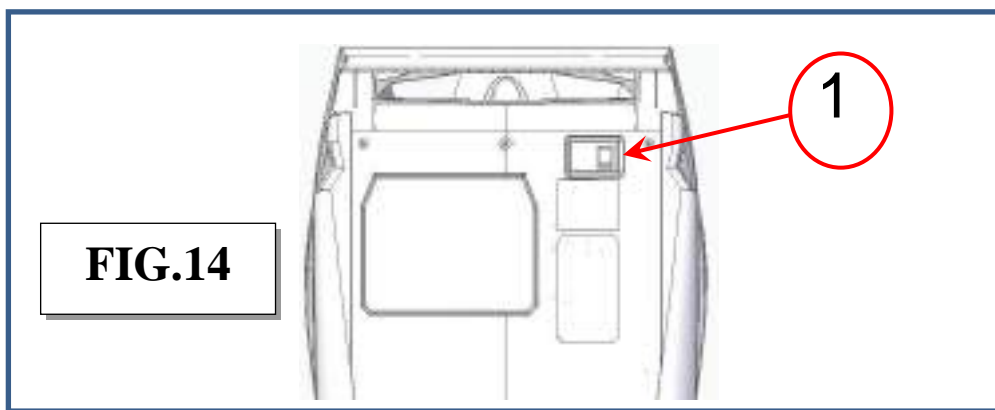
ALARMA DE MANTENIMIENTO: El localizador avisa cuando el total recuperado ascienda a 70 kg para R134a o 140 kg para R1234yf de refrigerante. Para desactivar la alarma, reemplazar los filtros y la bomba de vacío del aceite. Con los filtros de repuesto se suministra un código para cancelar la alarma.

CÓDIGOS DE ERROR

- Pérdida en la planta
- Presencia de refrigerante en el sistema de aire acondicionado
- Vacío insuficiente
- Contenedor vacío de rastreo
- Contenedor de aceite vacío
- Disponibilidad baja de gas
- Pérdida de vacío (aceite del sistema de aire acondicionado)
- Pérdida de presión (aceite del sistema de aire acondicionado)
- Sistema vacío
- Error de comunicación
- Bajo nivel de aceite
- Verificar las conexiones
- Cilindro externo vacío
- Alarma de alta presión

OPERACIONES PRELIMINARES

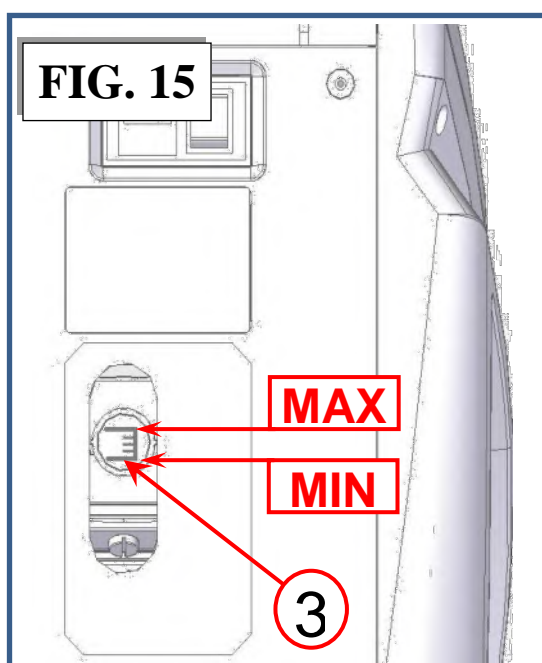
Controlar el interruptor principal (ver 1, Fig. 14) está configurado en O. Conectar la máquina a la alimentación eléctrica y encenderla.



1 El usuario puede verificar todos los datos de la máquina:

- Controlar que los contenedores del ACEITE no estén vacíos; si fuese necesario, realizar la sustitución como ha sido descrito en la sección MANTENIMIENTO ORDINARIO.
- Controlar que el nivel de aceite en el contenedor de aceite usado sea $<200 \text{ cm}^3$, si fuese necesario, vaciarlo del modo descrito en la sección MANTENIMIENTO ORDINARIO.
- Controlar en la pantalla de la máquina que haya al menos 2 kg de refrigerante en el depósito. Si este no fuera el caso, llenar el depósito a bordo de la máquina desde un depósito de refrigerante externo apropiado siguiendo el procedimiento descrito en el LLENADO DEL DEPÓSITO (MANTENIMIENTO ORDINARIO).

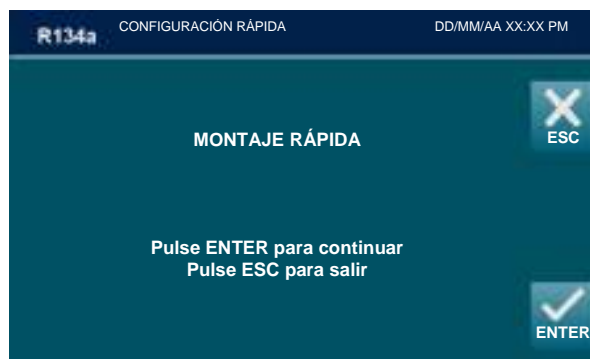
Controlar que el indicador de nivel de la bomba de vacío de aceite (ver 3, Fig. 15) muestre, al menos, un llenado hasta la mitad. Si el nivel es más bajo, agregue aceite como se explica en la sección de MANTENIMIENTO.



MONTAJE RÁPIDA

NOTA: La configuración rápida se muestra después de la activación de la máquina

La primera vez que se utiliza la máquina aparece una guía de inicio rápido: el operador es guiado a través de los pasos que se describen al inicio de la sección de OPERACIONES PRELIMINARES. La configuración rápida puede encontrarse también en el MENÚ CONFIGURAR, seleccionar MONTAJE RÁPIDA. Se visualiza la siguiente pantalla:



Pulse ENTER para continuar con la MONTAJE RÁPIDA, el usuario será guiado a través de los siguientes pasos:

- Idioma
- Unidades de medida
- Registro de la licencia de la placa
- Fecha y hora
- Configuración de impresión de encabezado
- Configuraciones de vacío
- Prueba de comprobación de fugas
- Llenado del depósito

Siga las instrucciones que aparecen. Al final del procedimiento pulse ENTER para imprimir un informe resumen del procedimiento guiado. Pulse ESC para salir.

NOTA: Si no se completa el proceso guiado, el mismo se mostrará nuevamente la próxima vez que la máquina se encienda.

NOTA: Para mostrar la MONTAJE RÁPIDA en cualquier momento, seleccione CONFIGURACIÓN desde el menú del mismo nombre.

PROCEDIMIENTO AUTOMÁTICO

En el modo automático, todas las operaciones se ejecutan automáticamente: recuperación y reciclaje, descarga de aceite, vacío, reintegración de aceite nuevo y carga. Los valores para la cantidad de gas recuperado, la cantidad de aceite recuperado, tiempo de vacío, cantidad de aceite reintegrado y la cantidad de gas cargado en el sistema se muestran e imprimen (opcional) al final de cada operación.

Conectar las mangueras al sistema A/C sin los acoplamientos de conexión rápida, teniendo en mente que el AZUL ha de conectarse en el lado de baja presión y, el ROJO, en el de alta presión. Si el sistema de aire acondicionado está equipado con un solo acoplador de conexión rápida para presión alta o baja, conecte solo la manguera correspondiente.

Desde el MENÚ PRINCIPAL:



Seleccione el PROCEDIMIENTO AUTOMÁTICO  y se mostrará la siguiente pantalla:



EDICIÓN DE DATOS DE VACÍO:

Use el TECLADO para ingresar el nuevo valor de TIEMPO VACÍO, presione ENTER para confirmar, presione ESC para regresar.

NOTA: use PARÁMETROS VACÍOS para cambiar la duración del CONTROL DE PÉRDIDA.

EDITAR DATOS DE ACEITE (ECO NEXT ONE solamente):

Seleccionar la zona de visualización del ACEITE y, después, usar las teclas 0 a 9 para escribir el volumen de aceite que se debe inyectar o seleccionar AUTO para reintegrar la misma cantidad de aceite extraído durante la Recuperación.



EDITAR DATOS DEL LLENADO DE GAS

NOTA: Para la mayoría de los sistemas, la cantidad de fluido por llenar se indica en una placa que se encuentra en el compartimiento del motor del vehículo. Si se desconoce dicha cantidad, búsquela en los manuales correspondientes.

Seleccione la CANTIDAD DE CARGA y, a continuación, utilice las teclas de 0 a 9 para introducir la cantidad (en gramos) de refrigerante para cargar en el sistema de aire acondicionado.

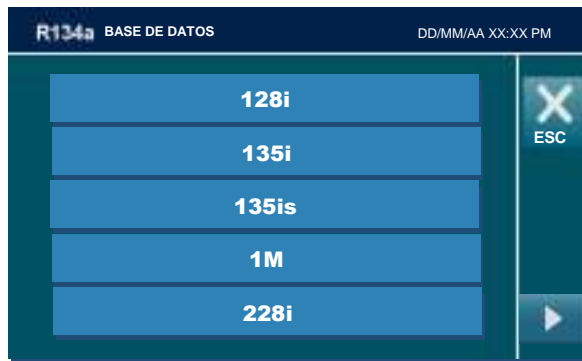


O bien, si está instalado, pulse el botón BASE DE DATOS y se mostrará la siguiente pantalla:

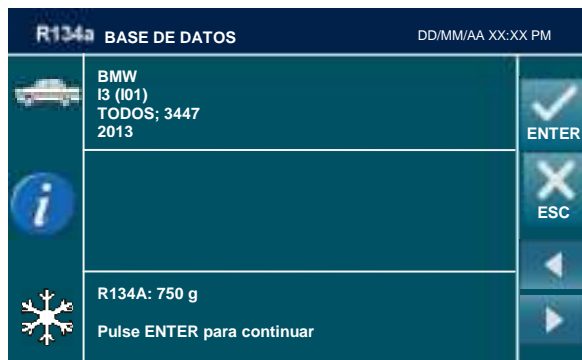
Seleccione el tipo de vehículo



Seleccione la marca de vehículo a la que está realizando labores de mantenimiento (utilice las flechas de dirección para cambiar de página en caso necesario) y se visualizará la siguiente pantalla (para BMW):

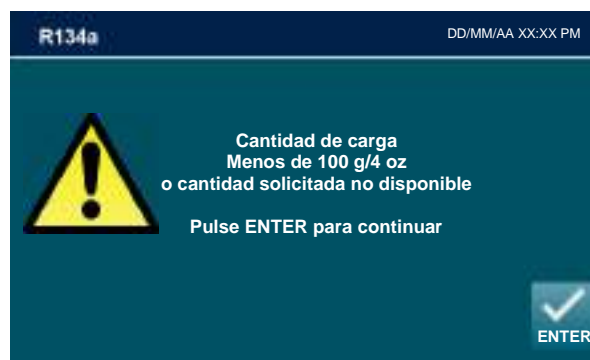


Seleccione el modelo del vehículo al que está realizando labores de mantenimiento. (Si quiere instalar la BASE DE DATOS, póngase en contacto con el distribuidor de la máquina). Se muestra toda la información sobre este modelo:



Pulse ENTER para confirmar e introduzca el valor en el campo de LLENADO DE GAS.

NOTA: si el llenado de gas es inferior a 100 g se visualizará la siguiente advertencia emergente:




No está permitido el llenado de gas inferior a 100 g; pulse OK y, a continuación, introduzca una cantidad sup

ESPAÑOL

PROCEDIMIENTO ARRANQUE AUTOMÁTICO

Después de seleccionar todos los datos del procedimiento, pulse ENTER para continuar.

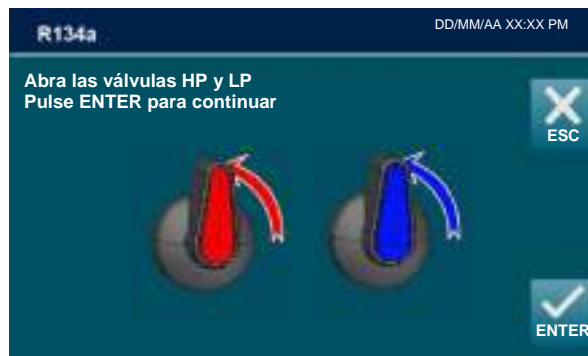
NOTA: si ECO NEXT ONE HFO o con el analizador habilitado, el análisis de gas se realizará antes de la recuperación

NOTA: el botón STOP  literalmente detiene el procedimiento en ejecución. Desde la pausa, es posible salir al menú principal de todos los procedimientos, excepto los de recuperación y de carga. Esto se debe a que al no completar un procedimiento de recuperación es posible que quede algo de refrigerante en el circuito interno y puede comprometer el siguiente procedimiento. En la fase final de la carga, el procedimiento no debe pausarse ni detenerse para evitar comprometer la precisión del procedimiento.

Se iniciará el PROCEDIMIENTO AUTOMÁTICO y se mostrará la siguiente pantalla:



Conecte y abra el acoplamiento (HP (alta presión), LP (baja presión) o HP/LP, depende de la elección anterior) conectado al sistema de aire acondicionado y a continuación presione ENTER. Pulse ESC para regresar.



Abra las válvulas HP y LP, y pulse ENTER para continuar.

Se mostrará la siguiente pantalla para recordarle que compruebe si el contenedor de aceite usado no está lleno.



Pulse ENTER



Durante la fase de recuperación, la máquina muestra la cantidad de refrigerante recuperado en gramos. Una vez terminada la recuperación, la máquina se parará y descargará, mientras se visualiza automáticamente el aceite usado extraído del sistema A/C durante la fase de recuperación.

La operación de descarga del aceite dura 4 minutos.



La máquina controla si hay aire en el depósito y, si fuese necesario, purga el gas no condensable. La máquina descargará automáticamente el gas no condensable.

Al permitir que la máquina complete totalmente el procedimiento, se reduce el riesgo de que sucedan flujos de retorno que pueden causar la presencia de gas no condensable en exceso para recargar en el sistema de aire acondicionado. Si el refrigerante residual en el sistema A/C aumenta la presión durante esta fase, la máquina comenzará automáticamente la recuperación del refrigerante.

Una vez que la fase de recuperación ha sido completada, la máquina continúa automáticamente con la ejecución de la fase de vacío durante el tiempo predeterminado:



Al final de esta fase, la máquina realizará la prueba en búsqueda de fugas en el sistema de A/C:

ESPAÑOL



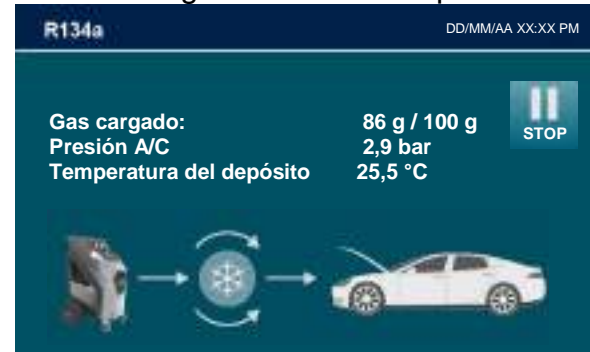
(ADVERTENCIA: Si el tiempo de vacío es <15 minutos, esta prueba no es fiable). Si se detectan fugas, la máquina se detendrá automáticamente y mostrará la alarma de FUGAS DEL SISTEMA DE AIRE ACONDICIONADO.

La detección de microfugas no está garantizada.

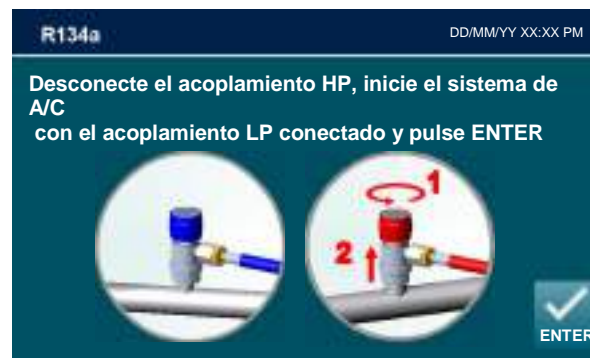
Una vez terminada la fase de vacío, el nuevo aceite será reintegrado automáticamente: el volumen será igual al del aceite usado descargado o al volumen programado por el operador.



Al terminar, el sistema pasará a la carga con la cantidad predeterminada de refrigerante.

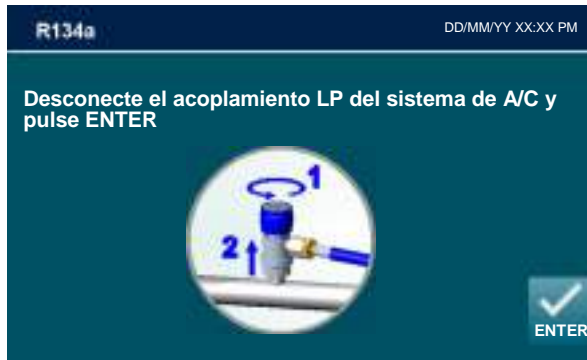


A continuación, se mostrará la siguiente pantalla.



Desconecte el acoplamiento HP. Inicie el sistema de aire acondicionado con el acoplamiento LP conectado, pulse ENTER.

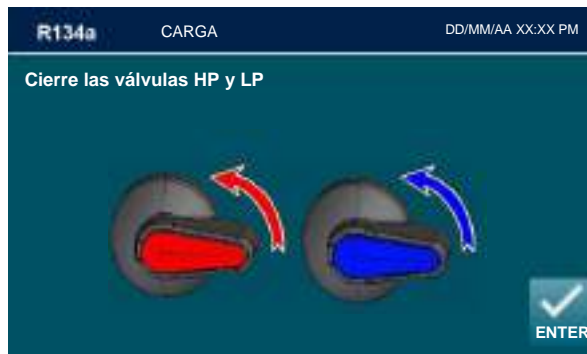
El sistema de aire acondicionado recuperará el refrigerante en las mangueras de servicio y luego se mostrará la siguiente pantalla:



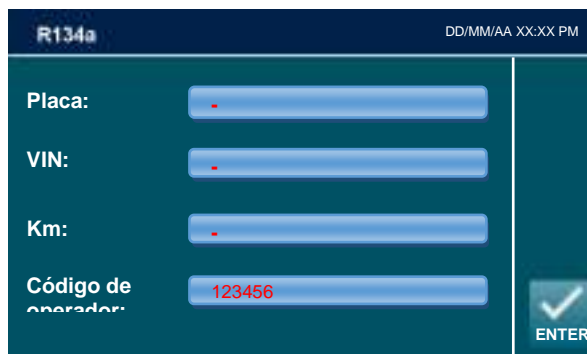
Desconecte el acoplamiento LP y a continuación presione ENTER para continuar:



La máquina recuperará el refrigerante residual en las mangueras de servicio y luego se mostrará la siguiente pantalla:

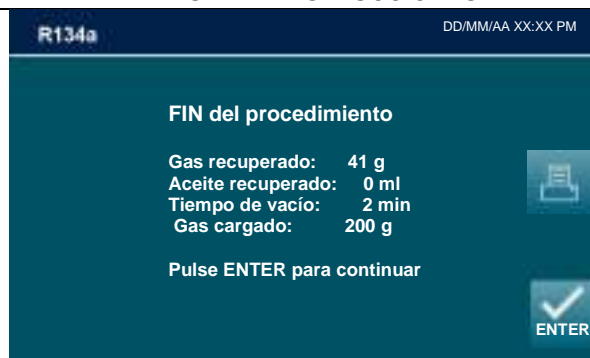


La máquina recuperará el refrigerante residual en las mangueras de servicio y luego se mostrará la siguiente pantalla:



Se le pedirá que introduzca la PLACA, el NÚMERO DE BASTIDOR, los KM y el Código de operador. Pulse ENTER.

ESPAÑOL



Se mostrará un resumen de la cantidad de gas recuperado, de aceite recuperado, de los minutos de la fase de vacío y de la cantidad de gas cargado.

Pulse el símbolo  para imprimir (opcional).

El procedimiento automático se ha completado con éxito. Pulse ENTER para volver a la página principal.

NOTA: El procedimiento automático puede ejecutarse incluso si el sistema de aire acondicionado está vacío. En este caso la máquina iniciará la fase de vacío.

NOTA: cerca del final de la carga podría aparecer el siguiente mensaje de alarma:



La alarma de CARGA LENTA ocurre cuando la presión del tanque y la presión del sistema se igualan (debido a baja presión, temperaturas excesivas del sistema, etc.). Verifique las conexiones y luego presione ENTER para continuar, o presione ESC para salir.

PROCEDIMIENTO MANUAL

En el PROCEDIMIENTO MANUAL, todas las operaciones se pueden realizar por separado a excepción de la fase de recuperación/reciclaje, seguida automáticamente por la descarga de aceite usado.

Los valores para la cantidad de gas recuperado, la cantidad de aceite recuperado, tiempo de vacío, cantidad de aceite reintegrado y la cantidad de gas cargado en el sistema se imprimen automáticamente al final de cada operación.

Desde el MENÚ PRINCIPAL:




Seleccione el PROCEDIMIENTO MANUAL  y se mostrará la siguiente pantalla:



RECUPERACIÓN

Conecte las mangueras al sistema de aire acondicionado con los acopladores de conexión rápida, teniendo en cuenta que el AZUL debe conectarse en el lado de baja presión y el ROJO en el de alta presión.

Si el sistema de aire acondicionado está equipado con un solo acoplador de conexión rápida para presión alta o baja, conecte solo la manguera correspondiente.

NOTA: el botón STOP  literalmente detiene el procedimiento en ejecución. Desde la pausa, es posible salir al menú principal de todos los procedimientos, excepto los de recuperación y de carga. Esto se debe a que al no completar un procedimiento de recuperación es posible que quede algo de refrigerante en el circuito interno y puede comprometer el siguiente procedimiento

En el PROCEDIMIENTO MANUAL seleccione RECUPERACIÓN/RECICLADO y se mostrará la siguiente pantalla:



Abra las válvulas HP y LP, y pulse ENTER para continuar.

NOTA: si ECO NEXT ONE HFO o con el analizador habilitado, el análisis de gas se realizará antes de la recuperación

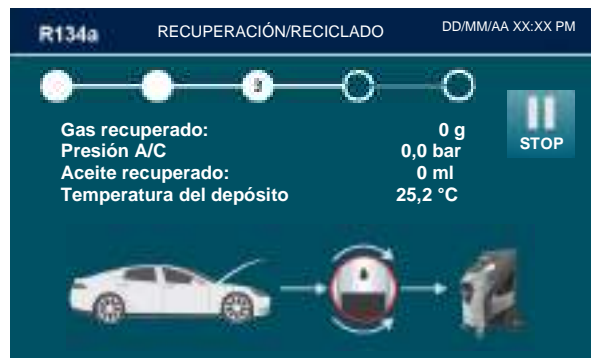
Se mostrará la siguiente pantalla para recordarle que compruebe si el contenedor de aceite usado no está lleno.



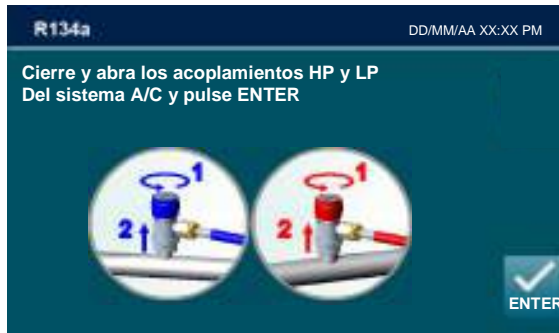
EL PROCEDIMIENTO DE RECUPERACIÓN se iniciará y se mostrará la siguiente pantalla:



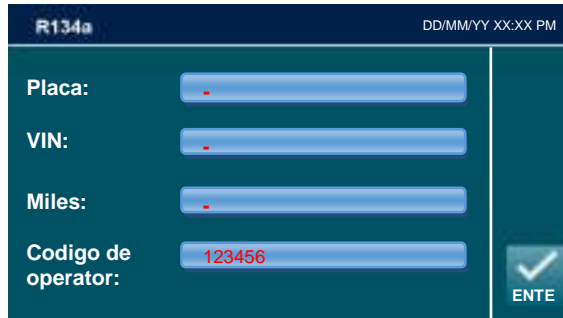
Durante la fase de recuperación, la máquina muestra la cantidad de refrigerante recuperado en gramos.



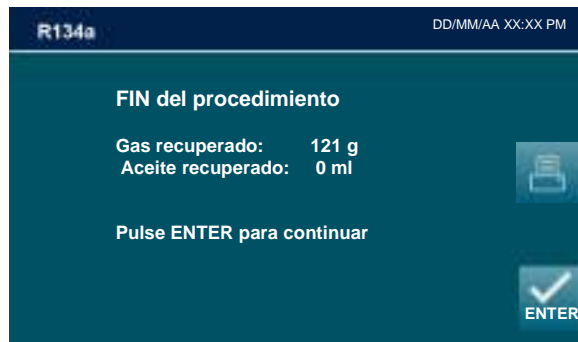
Una vez terminada la recuperación, la máquina se parará y descargará, mientras se visualiza automáticamente el aceite usado extraído del sistema A/C durante la fase de recuperación. La operación de descarga del aceite dura 4 minutos.



Desatornille y desconecte el acoplamiento HP y LP del sistema A/C y pulse ENTER.



Se le pedirá que introduzca la PLACA, el NÚMERO DE BASTIDOR, los KM/Miles y el Código de operador. Pulse ENTER.



Se mostrará un resumen de la cantidad del gas y del aceite recuperados.

Pulse el símbolo  para imprimir (opcional).

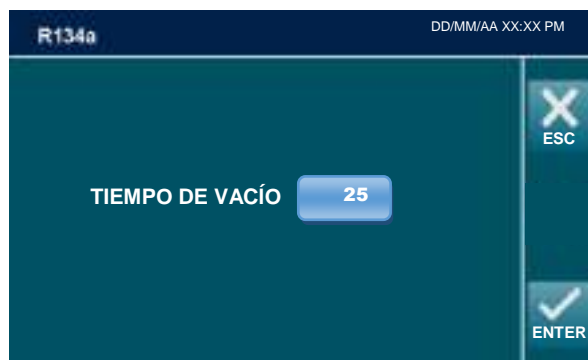
El procedimiento de recuperación manual se ha completado con éxito. Pulse ENTER para volver a la página de funcionamiento manual.


VACÍO

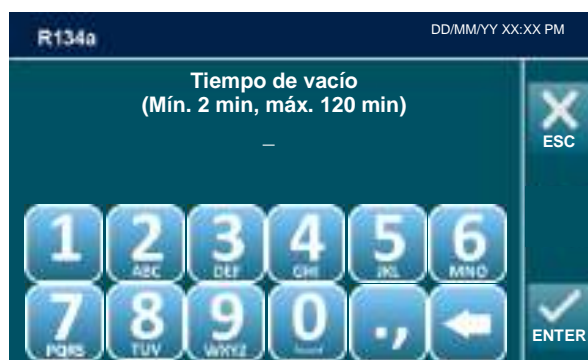
Desde el PROCEDIMIENTO MANUAL, seleccione VACÍO.



Se mostrará la siguiente pantalla:



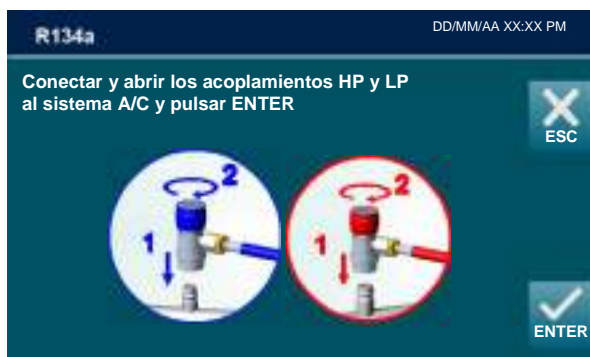
Utilice el TECLADO para introducir el nuevo valor de TIEMPO DE VACÍO , pulse ENTER para confirmar y ESC para volver.



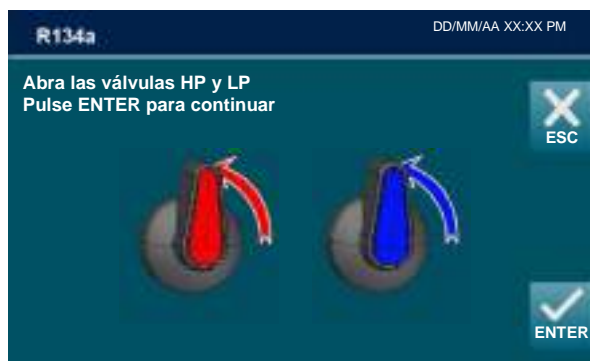
NOTA: si el TIEMPO DE VACÍO seleccionado es inferior a 15 minutos, se mostrará la siguiente ventana de aviso:



Pulse Sí para continuar o pulse NO para volver.



Conecte y abra el acoplamiento conectado al sistema A/C, después pulse ENTER para iniciar la fase de vacío; pulse ESC para volver.



Abra las válvulas manuales y pulse ENTER



Al final de esta fase, la máquina realizará la prueba en búsqueda de fugas en el sistema de A/C:



(ADVERTENCIA: Si el tiempo de vacío es inferior a 15 minutos, entonces la prueba no es confiable). Si se detectan fugas, la máquina se detendrá automáticamente y mostrará la alarma de FUGAS DEL SISTEMA DE AIRE ACONDICIONADO.

La detección de microfugas no está garantizada.

Al final del tiempo de vacío preestablecido, la máquina hará sonar una alarma y se mostrará la siguiente pantalla:



Cerrar y desconectar los acoplamientos HP y LP del sistema A/C, después pulsar OK para volver al MENÚ PRINCIPAL; PROCEDIMIENTO DE VACÍO completado con éxito.

ESPAÑOL

R134a DD/MM/YY XX:XX PM

Placa:

VIN:

Miles:

Código de operador:

ENTER

Se le pedirá que introduzca la PLACA, el NÚMERO DE BASTIDOR, los KM/Miles y el Código de operador. Pulse ENTER.


R134a DD/MM/AA XX:XX PM

FIN del procedimiento

Tiempo de vacío: 2 min

Pulse ENTER para continuar

ENTER

Se mostrará un resumen de los minutos de la fase de vacío. Pulse el símbolo  para imprimir (opcional).

El procedimiento de VACÍO se ha completado con éxito. Pulse ENTER para volver a la página del procedimiento manual.

INYECCIÓN DE ACEITE (ECO NEXT ONE solamente)

Esta operación SOLO puede realizarse en la operación de VACÍO.

Desde el PROCEDIMIENTO MANUAL, seleccione INYECCIÓN DE ACEITE:

R134a MANUAL DD/MM/YY XX:XX PM

RECUPERACIÓN/RECICLAJE

VACÍO

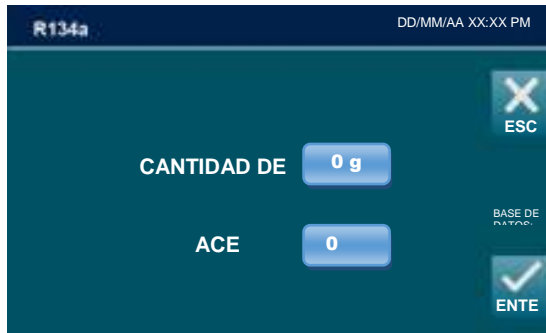
ACEITE + UV

RECARGA

FLUSHING KIT

ESC

Se mostrará la siguiente pantalla:



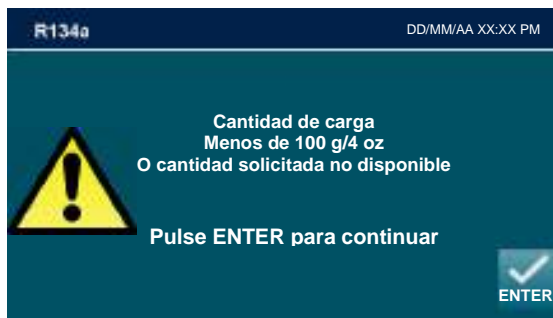
NOTA: Para la mayoría de los sistemas, la cantidad de fluido por llenar se indica en una placa que se encuentra en el compartimiento del motor del vehículo. Si se desconoce dicha cantidad, búsquela en los manuales correspondientes.

Seleccione el campo de CANTIDAD DE CARGA, y, en el teclado de la pantalla, introduzca la cantidad (en gramos) de REFRIGERANTE que se cargará en el sistema de aire acondicionado.



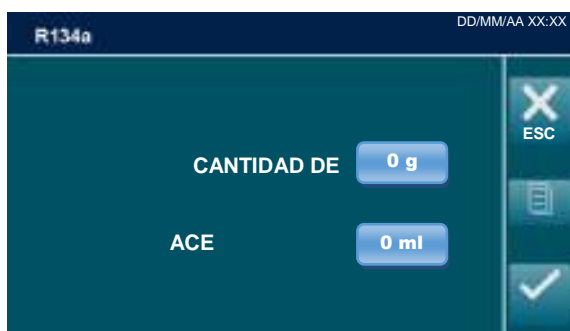
NOTA: Si está instalada la BASE DE DATOS, esta puede usarse para introducir el valor de refrigerante en el campo LLENADO DE GAS.

NOTA: si el llenado de gas es inferior a 100 g se visualizará la siguiente advertencia emergente:



No está permitido el llenado de gas inferior a 100 g; pulse OK y, a continuación, introduzca una cantidad superior de llenado de gas.

Seleccione el campo de cantidad de ACEITE, y, en el teclado de la pantalla, introduzca la cantidad (en gramos) de ACEITE que se cargará en el sistema de aire acondicionado.



ESPAÑOL

PROCEDIMIENTO DE INICIO

Una vez que se han seleccionado todos los datos del procedimiento, pulse ENTER para continuar, y se visualizará la siguiente pantalla:



Conecte y abra el acoplamiento conectado al sistema A/C, y, a continuación, pulse ENTER; pulse ESC para volver.



Abra las válvulas manuales y pulse ENTER

Si el vacío no es suficiente, se mostrará la siguiente pantalla:



A continuación, realice el procedimiento de VACÍO.

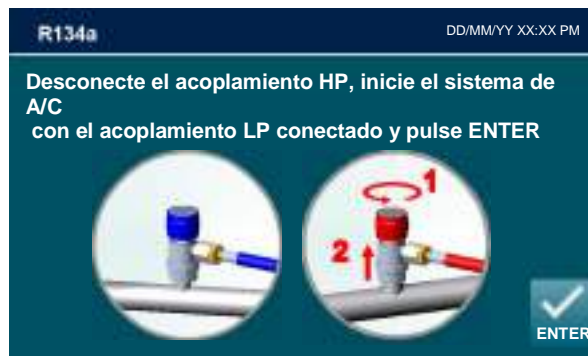
En su lugar, con el VACÍO suficiente, la máquina empezará a inyectar la cantidad de aceite establecida.



Posteriormente, la máquina procederá con la cantidad de gas establecida.

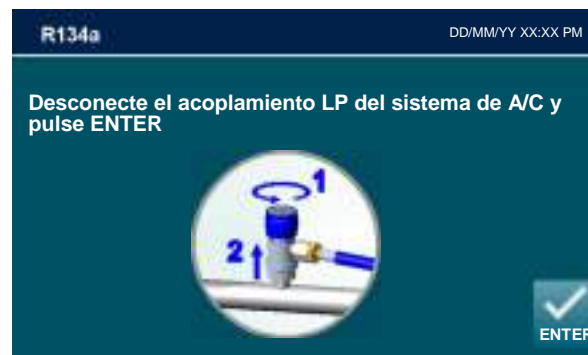


A continuación, se mostrará la siguiente pantalla.



Desconecte el acoplamiento HP. Inicie el sistema de aire acondicionado con el acoplamiento LP conectado, pulse ENTER.

El sistema de aire acondicionado recuperará el refrigerante en las mangueras de servicio y luego se mostrará la siguiente pantalla:

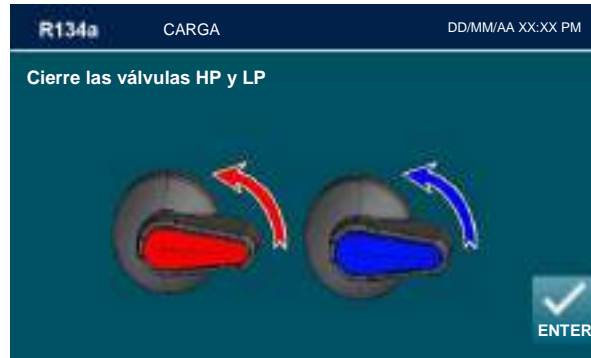


Desconecte el acoplamiento LP del sistema de A / C y presione ENTER

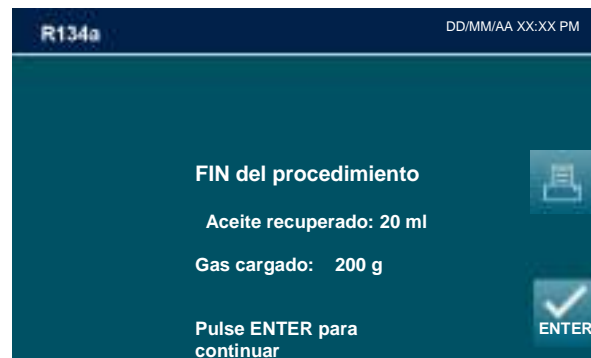


La máquina recuperará el refrigerante residual en las mangueras de servicio y luego se mostrará la siguiente pantalla:

ESPAÑOL



Se le pedirá que introduzca la PLACA, el NÚMERO DE BASTIDOR, los KM y el Código de operador. Pulse ENTER



Se mostrará un resumen de la cantidad de aceite y de gas de la fase de INYECCIÓN DE ACEITE.

Pulse el símbolo  para imprimir.

El procedimiento de INYECCIÓN DE ACEITE se ha completado con éxito. Pulse ENTER para volver a la página del procedimiento manual.

NOTA: cerca del final de la carga podría aparecer el siguiente mensaje de alarma:



La alarma de CARGA LENTA ocurre cuando la presión del tanque y la presión del sistema se igualan (debido a baja presión, temperaturas excesivas del sistema, etc.). Verifique las conexiones y luego presione ENTER para continuar, o presione ESC para salir.

CARGA (para ECO NEXT ONE y ECO NEXT ONE HYBRID)

En el PROCEDIMIENTO MANUAL seleccione CARGA, se mostrará la siguiente pantalla:



NOTA: Para la mayoría de los sistemas, la cantidad de fluido por llenar se indica en una placa que se encuentra en el compartimiento del motor del vehículo. Si se desconoce dicha cantidad, búsquela en los manuales correspondientes.

Seleccione el campo de CANTIDAD DE CARGA, y, en el teclado de la pantalla, introduzca la cantidad (en gramos) de REFRIGERANTE que se cargará en el sistema de aire acondicionado.




NOTA: Si está instalada la BASE DE DATOS, esta puede usarse para introducir el valor de refrigerante en el campo LLENADO DE GAS.

NOTA: si el llenado de gas es inferior a 100 g se visualizará la siguiente advertencia emergente:



No está permitida la carga de gas inferior a 100 g; pulse OK y, después, introduzca una cantidad mayor de gas de llenado.

PROCEDIMIENTO DE INICIO

NOTA: el botón STOP  literalmente detiene el procedimiento en ejecución. En la fase final de la carga, el procedimiento no debe pausarse ni detenerse para evitar comprometer la precisión del procedimiento. Una vez que se han seleccionado todos los datos del procedimiento, pulse ENTER para continuar, y se visualizará la siguiente pantalla:

ESPAÑOL



Conecte y abra el acoplamiento (HP (alta presión), LP (baja presión) o HP/LP, depende de la elección anterior) conectado al sistema de aire acondicionado y a continuación presione ENTER. Pulse ESC para regresar.

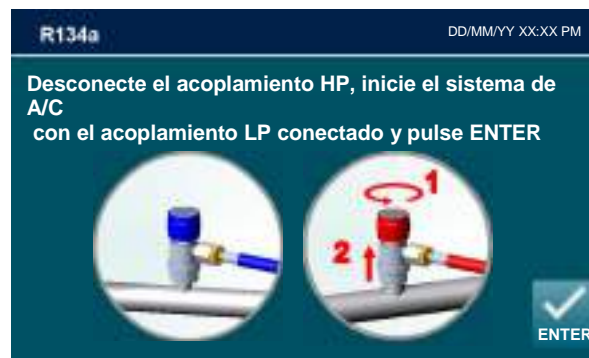


Abra las válvulas manuales y pulse ENTER

La máquina comenzará la carga con la cantidad de refrigerante preestablecida.

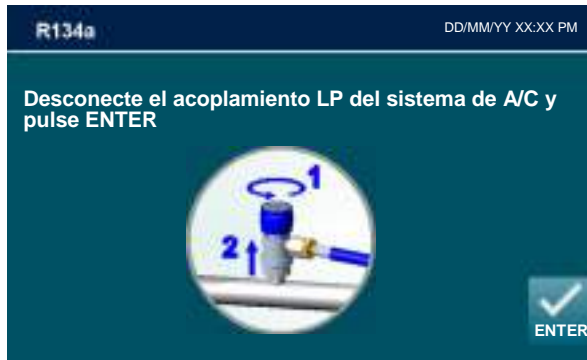


A continuación, se mostrará la siguiente pantalla.



Desconecte el acoplamiento HP. Inicie el sistema de aire acondicionado con el acoplamiento LP conectado, pulse ENTER.

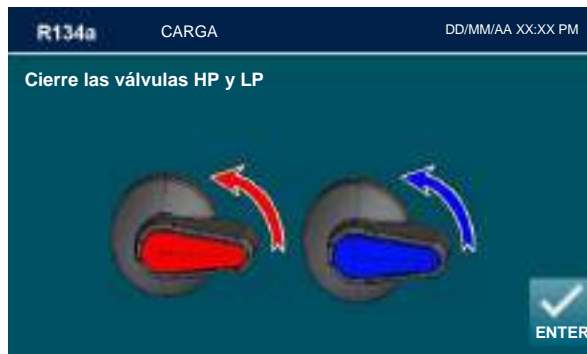
El sistema de aire acondicionado recuperará el refrigerante en las mangueras de servicio y luego se mostrará la siguiente pantalla:



Desconecte el acoplamiento LP del sistema de A / C y presione ENTER



La máquina recuperará el refrigerante residual en las mangueras de servicio y luego se mostrará la siguiente pantalla:



Se le pedirá que introduzca la PLACA, el NÚMERO DE BASTIDOR, los KM y el Código de operador. Pulse ENTER



Se mostrará un resumen de la cantidad de gas de la fase de CARGA.

Pulse el símbolo  para imprimir

El procedimiento de CARGA se ha completado con éxito. Pulse ENTER para volver a la página del procedimiento manual.

ESPAÑOL

NOTA: cerca del final de la carga podría aparecer el siguiente mensaje de alarma:



La alarma de CARGA LENTA ocurre cuando la presión del tanque y la presión del sistema se igualan (debido a baja presión, temperaturas excesivas del sistema, etc.). Verifique las conexiones y luego presione ENTER para continuar, o presione ESC para salir.

CARGA (ECO NEXT ONE HFO solamente)

En el PROCEDIMIENTO MANUAL seleccione CARGA, se mostrará la siguiente pantalla:



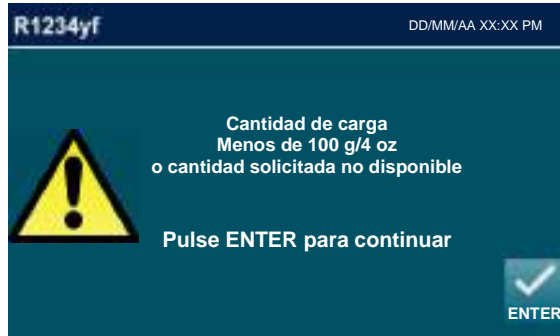
NOTA: Para la mayoría de los sistemas, la cantidad de fluido por llenar se indica en una placa que se encuentra en el compartimiento del motor del vehículo. Si se desconoce dicha cantidad, búsquela en los manuales correspondientes.

Seleccione el campo de CANTIDAD DE CARGA, y, en el teclado de la pantalla, introduzca la cantidad (en gramos) de REFRIGERANTE que se cargará en el sistema de aire acondicionado.



NOTA: Si está instalada la BASE DE DATOS, esta puede usarse para introducir el valor de refrigerante en el campo LLENADO DE GAS.

NOTA: si el llenado de gas es inferior a 100 g se visualizará la siguiente advertencia emergente:



No está permitida la carga de gas inferior a 100 g; pulse OK y, después, introduzca una cantidad mayor de gas de llenado.

PROCEDIMIENTO DE INICIO

NOTA: el botón STOP literalmente detiene el procedimiento en ejecución. En la fase final de la carga, el procedimiento no debe pausarse ni detenerse para evitar comprometer la precisión del procedimiento.

Una vez que se han seleccionado todos los datos del procedimiento, pulse ENTER para continuar, y se visualizará la siguiente pantalla:



Conecte y abra el acoplamiento conectado al sistema A/C, y, a continuación, pulse ENTER; pulse ESC para volver.



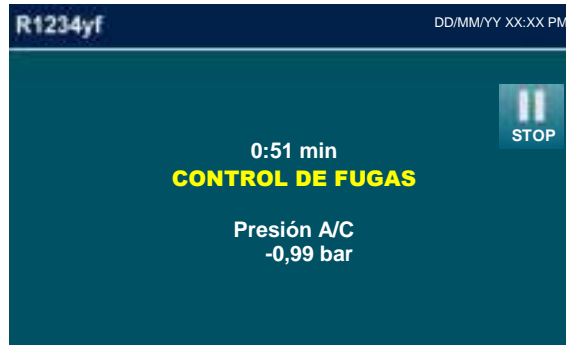
Abra las válvulas manuales y pulse ENTER

La máquina realizará 5 minutos de vacío:



ESPAÑOL

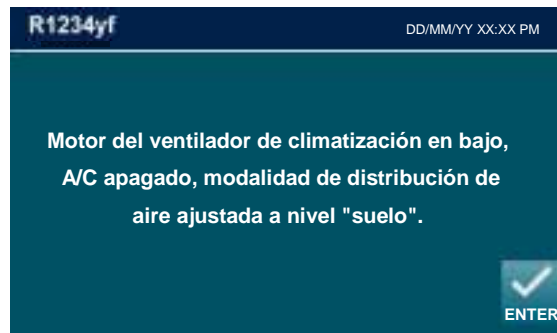
Al final de esta fase, la máquina realizará la prueba en búsqueda de fugas en el sistema de A/C:



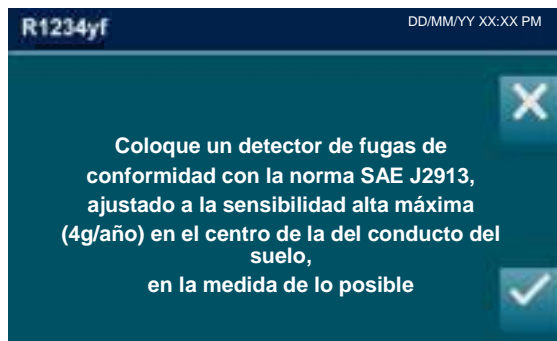
(ADVERTENCIA: Si el tiempo de vacío es inferior a 15 minutos, entonces la prueba no es confiable). Si se detectan fugas, la máquina se detendrá automáticamente y mostrará la alarma de FUGAS DEL SISTEMA DE AIRE ACONDICIONADO.

La detección de microfugas no está garantizada.

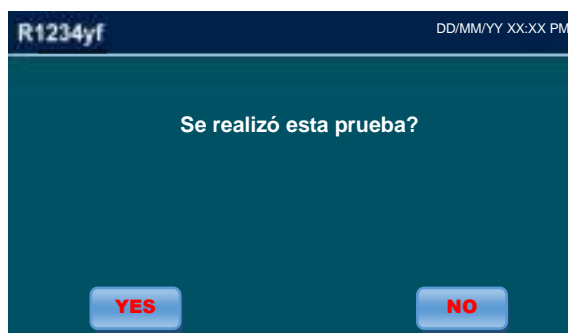
Al final del tiempo de vacío preestablecido, la máquina hará sonar una alarma y se mostrará la siguiente pantalla:



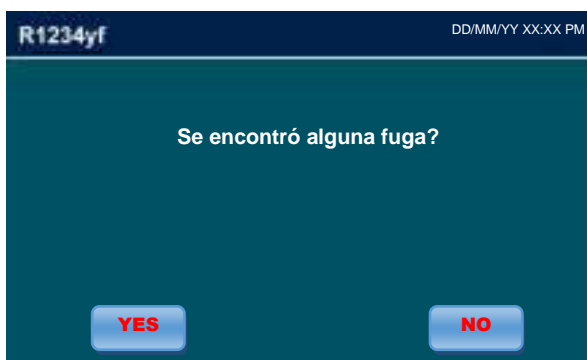
Coloque el motor del ventilador de climatización en bajo, el A/C apagado, la modalidad de distribución de aire ajustada a nivel "suelo", a continuación pulse ENTER para continuar:



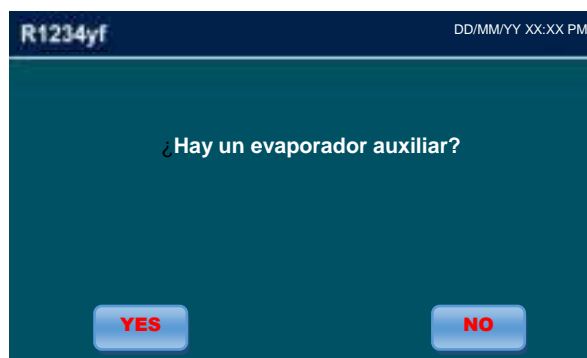
Coloque un detector de fugas de conformidad con la norma SAE J2913, ajustado a la sensibilidad alta máxima (4g/año) en el centro de la del conducto del suelo, en la medida de lo posible, a continuación pulse ENTER para continuar:



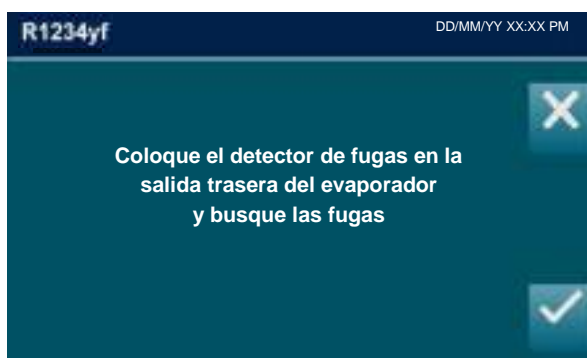
Se muestra un mensaje emergente solicitando la confirmación, pulse **SÍ** para continuar:



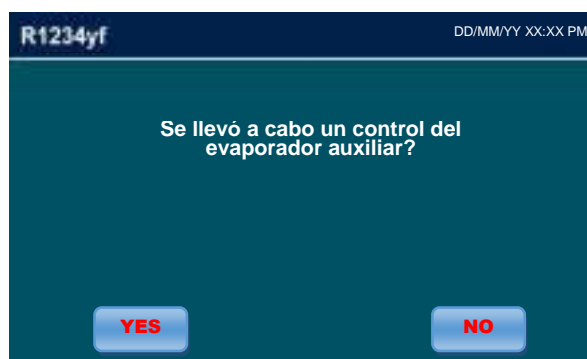
Pulse **NO**, si no se detectan fugas, se mostrará la siguiente pantalla:



Seleccione **SÍ** para realizar una comprobación de fugas en el evaporador auxiliar:

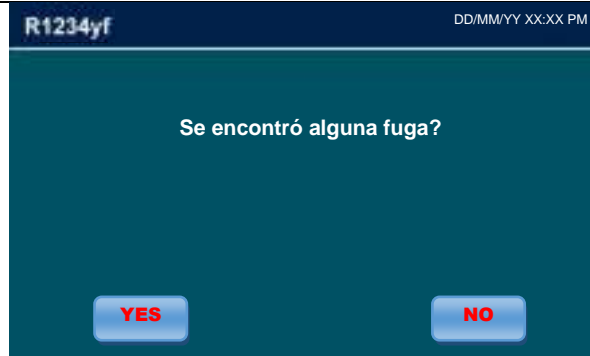


Coloque el detector de fugas en la salida trasera del evaporador y busque las fugas, a continuación pulse **ENTER** para continuar:

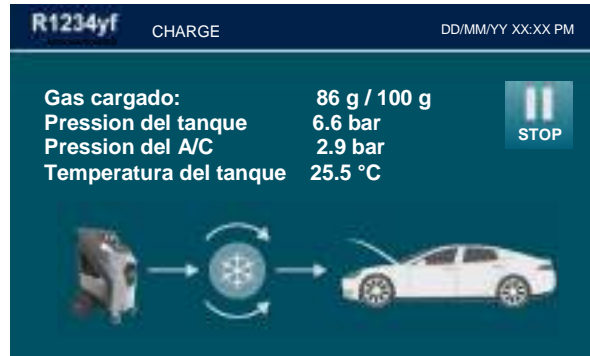


Se muestra un mensaje emergente solicitando la confirmación, pulse **SÍ** para continuar:

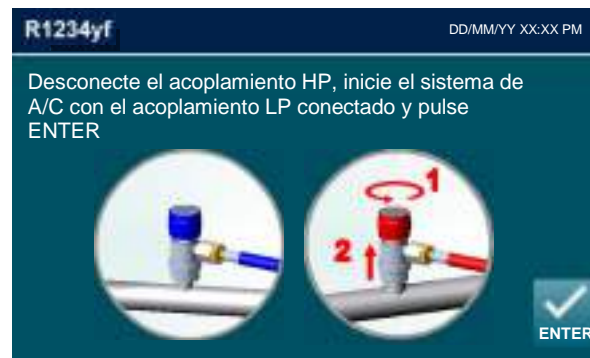
ESPAÑOL



Pulse NO, si no se detectan fugas, al término de la PRUEBA DE PRECARGA, el sistema continuará la carga con la cantidad de refrigerante predeterminada.



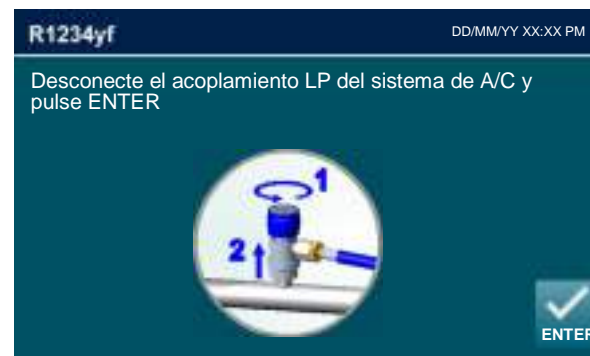
Luego se mostrará la siguiente pantalla:



Desconecte el acoplamiento HP (alta presión), inicie el sistema de aire acondicionado con el acoplamiento LP (baja presión) conectado, pulse ENTER.

NOTA: Durante esta fase, puede aparecer el mensaje "Espere" en la pantalla, su duración depende de la presión del aire acondicionado y puede durar un máximo de 1 minuto.

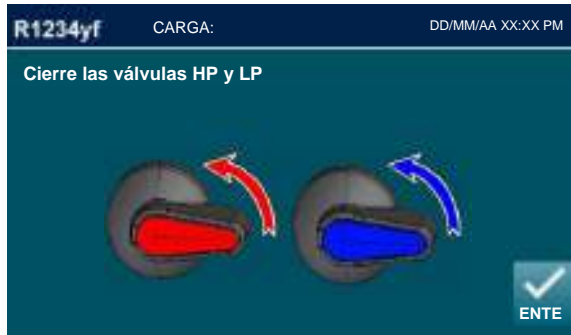
El sistema de aire acondicionado recuperará el refrigerante en las mangueras de servicio y luego se mostrará la siguiente pantalla:



Desconecte el acoplamiento LP del sistema de aire acondicionado y a continuación presione ENTER para continuar:



La máquina recuperará el refrigerante residual en las mangueras de servicio y luego se mostrará la siguiente pantalla:



Se le pedirá que introduzca la PLACA, el NÚMERO DE BASTIDOR, los KM y el Código de operador. Pulse ENTER

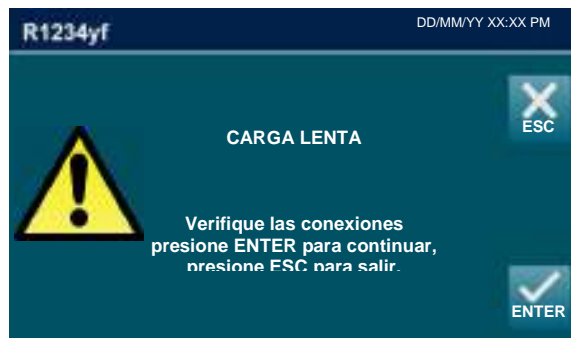


Se mostrará un resumen de la cantidad de gas de la fase de CARGA.

Pulse el símbolo  para imprimir (opcional).

El procedimiento de CARGA se ha completado con éxito. Pulse ENTER para volver a la página del procedimiento manual.

NOTA: cerca del final de la carga podría aparecer el siguiente mensaje de alarma:




La alarma de CARGA LENTA ocurre cuando la presión del tanque y la presión del sistema se igualan (debido a baja presión, temperaturas excesivas del sistema, etc.). Verifique las conexiones y luego presione ENTER para continuar, o presione ESC para salir.

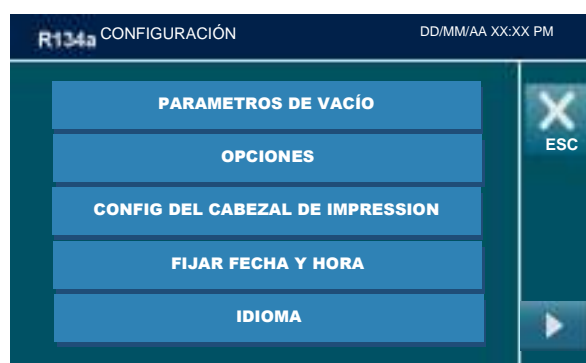
ESPAÑOL

CONFIGURACIÓN

Desde el MENÚ PRINCIPAL:



Seleccione CONFIGURACIÓN , y se mostrará la siguiente pantalla:



PARAMETROS DE VACÍO

Desde CONFIGURACIÓN seleccione PARAMETROS DE VACÍO, se mostrará el ajuste predeterminado:



Permite modificar el tiempo de vacío predeterminado y el tiempo predeterminado de verificación.

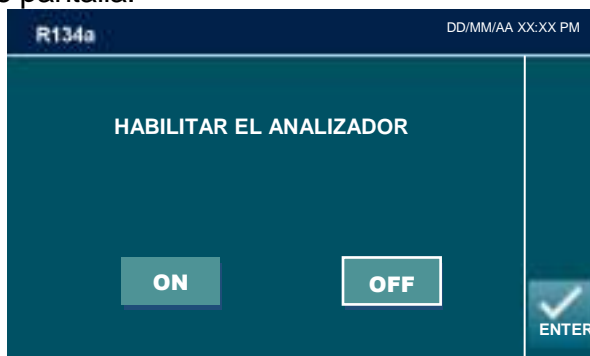
Cada valor puede modificarse, dentro de los valores ilustrados entre paréntesis.

NOTA: pulse DEFAULT para restaurar los valores por defecto:

- Tiempo de vacío 25 min
- Tiempo de verificación 2 min
- Aumento vacío 0,1 mbar

OPCIONES

Seleccione OPCIONES, introduzca el código de OPCIÓN 43210791 y se mostrará la siguiente pantalla:

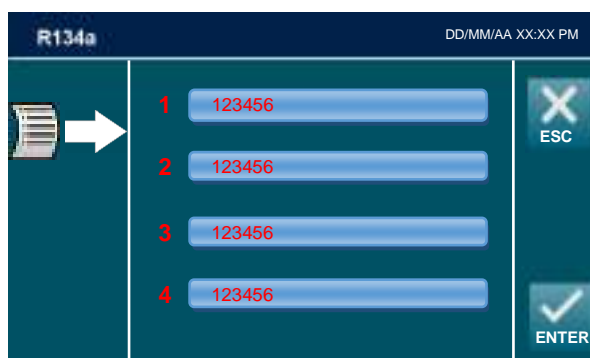


Seleccione la tecla ON para habilitar el ANALIZADOR, y la tecla OFF, para deshabilitarlo. A continuación, pulse ENTER.

CONFIG. DEL CABEZAL DE IMPRESIÓN

La salida de impresión puede personalizarse ingresando 4 líneas que contengan los detalles del taller (por ej., nombre, dirección, n.º de teléfono y correo electrónico).

Desde CONFIGURACIÓN, seleccione CONFIG. DEL CABEZAL DE IMPRESION:



Use el teclado para modificar las 4 líneas, después, pulse ESC para volver al menú CONFIGURACIÓN.



NOTA: las teclas numéricas incluyen un alfabeto que se utiliza de manera similar a la mensajería de texto; por ejemplo, pulse «2» una vez para visualizar «A», dos para «B», tres para «C», cuatro para «2».

Use el teclado para modificar el número del operador, a continuación, pulse ENTER para volver al menú CONFIGURACIÓN.

FIJAR FECHA Y HORA



Desde CONFIGURACIÓN, seleccione la flecha  para cambiar de página.

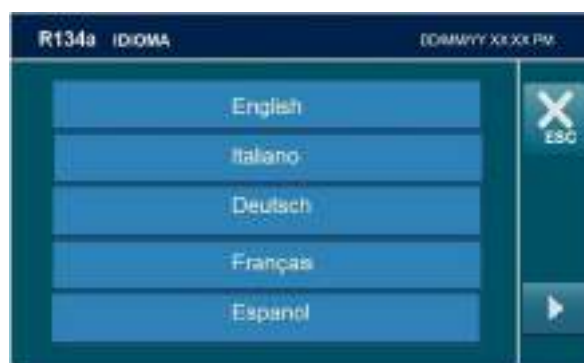
La máquina mantiene las configuraciones de fecha y hora incluso si no se utiliza durante todo un año. Desde el MENÚ CONFIGURACIÓN, seleccione FIJAR FECHA Y HORA:



Use el teclado para cambiar la fecha y la hora, pulse ENTER para confirmar, o pulse ESC para volver al menú CONFIGURACIÓN sin guardar los cambios.

IDIOMA

Seleccione el IDIOMA:



Seleccione un idioma

UNIDADES DE MEDIDA

Desde el menú CONFIGURACIÓN, seleccione la flecha ▶ para cambiar de página.
Seleccione las UNIDADES DE MEDIDA:



NOTA: las UNIDADES DE MEDIDA actuales se indican mediante cuadraturas.
Seleccione una UNIDAD DE MEDIDA y, a continuación, pulse ENTER.

MANTENIMIENTO:

Desde el MENÚ PRINCIPAL:



Seleccione MANTENIMIENTO , y se mostrará la siguiente pantalla:



RECARGA DE BOTELLA

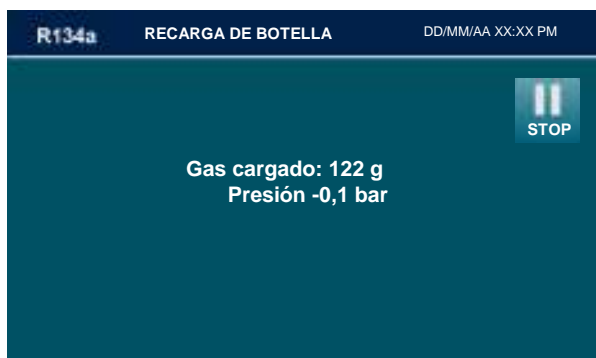
Esta operación debe realizarse cuando el fluido refrigerante disponible en el depósito es inferior a 3 kg y, en todo caso, debe llevarse a cabo cuando se muestra la alarma «botella vacío».

Desde MANTENIMIENTO seleccione RECARGA DE BOTELLA, se mostrará la siguiente pantalla:

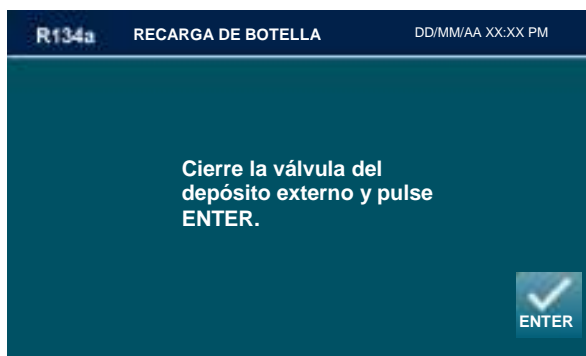


Consiga un depósito de refrigerante apropiado (R134a o R1234yf, según el modelo de máquina), conecte y abra el acoplador LP en el lado del depósito externo y abra la válvula del líquido. A continuación, utilice el teclado para introducir la cantidad de refrigerante, y luego pulse ENTER para continuar.

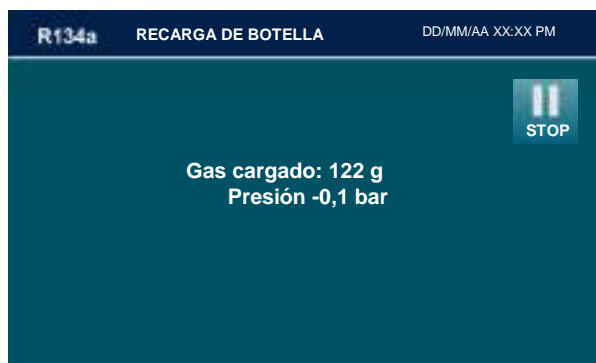
Comenzará el RECARGA DE BOTELLA.



La máquina llenará el depósito de la máquina con la cantidad preestablecida ~500 g. Cuando se llegue a la cantidad menos de 500 gramos, la máquina se detendrá y se visualizará:



Cierre la válvula de líquido del depósito externo y pulse ENTER; la máquina recuperará el refrigerante residual de las mangueras. El refrigerante que se recupera en esta fase se estima en 500 g, pero puede cargarse dependiendo de muchos factores (la presión de la botella externa, el flujo de refrigerante o la presión dentro de la botella interna, por ejemplo). E visualizará la siguiente pantalla:



Cierre y desconecte el acoplamiento LP del depósito externo y pulse ENTER.



El procedimiento de llenado del depósito se ha completado con éxito. Apague la máquina.

NOTA: si no se suministra el depósito externo con un acoplamiento lateral para líquido, debe darle la vuelta para recuperar el refrigerante líquido.

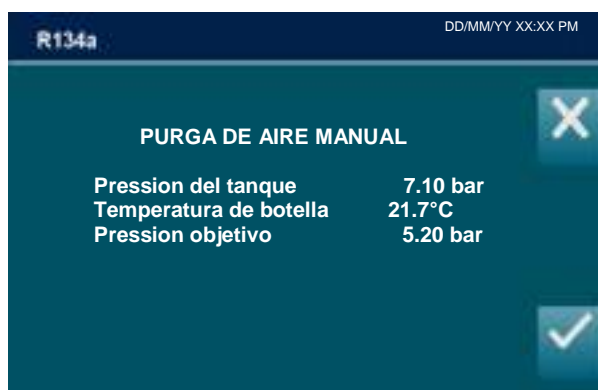
ESPAÑOL

PURGA DE AIRE MANUAL

Antes de cada verificación de mantenimiento, compruebe la presencia de aire en el cilindro. Seleccione MENÚ DE MANTENIMIENTO y pulse PURGA DE AIRE MANUAL.



Se mostrará la siguiente pantalla:



Si se visualiza “PRESIONAR ENTER PARA PURGAR”, hay aire en el tanque. En este caso, presione ENTER: la máquina comenzará a descargar el aire.

Presione ESC para pausar el proceso de purga de aire.

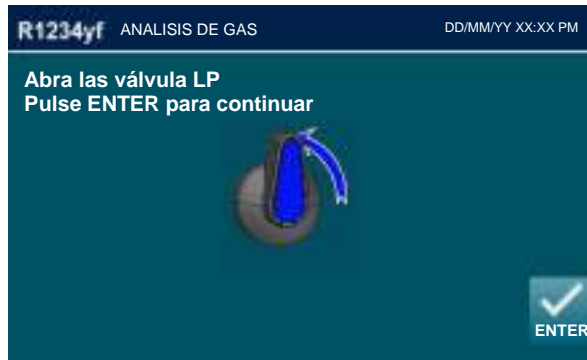
NOTA: Si no hay aire en el tanque, se muestra el siguiente mensaje: PURGA DE AIRE NO ES NECESARIO.

Presione ESC para terminar el proceso de purga de aire y regrese al menú MANTENIMIENTO.

ANÁLISIS DE GASES (ECO NEXT ONE HFO solamente)

La máquina probará la pureza del gas refrigerante en el sistema de aire acondicionado antes de comenzar la recuperación. El refrigerante contaminado no se puede recuperar, ya que contaminaría todo el refrigerante contenido en la botella de almacenamiento. La prueba de pureza se lleva a cabo después de tomar una muestra de gas refrigerante para el análisis.

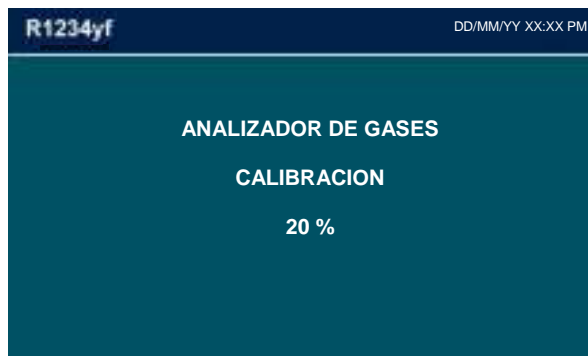
Desde MANTENIMIENTO seleccione ANÁLISIS DE GASES, se mostrará la siguiente pantalla:



Abra las valvula LP



Conecte y abra el acoplamiento conectado al sistema de aire acondicionado, a continuación pulse ENTER:

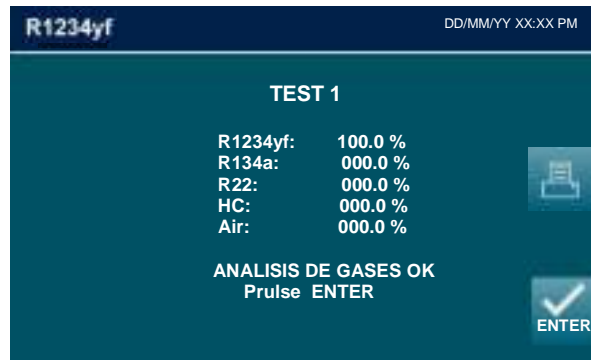


El analizador comenzará la calibración, luego, después de algunos segundos, se iniciará el análisis de gases:



Si el refrigerante es PURO, la máquina mostrará la siguiente pantalla durante algunos segundos:

ESPAÑOL



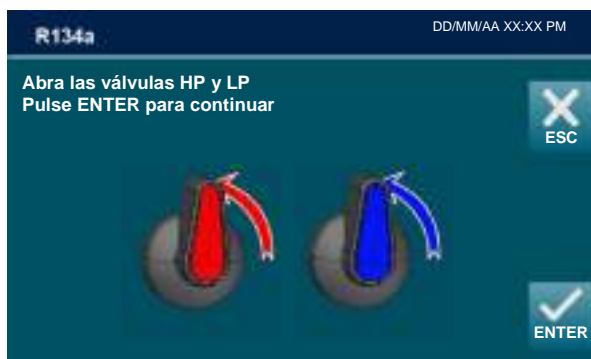
Pulse el símbolo  para la impresión

El procedimiento de ANALISIS DE GASES se ha completado con éxito. Pulse ENTER para volver a la página del procedimiento manual.

NOTA: Si el refrigerante está **CONTAMINADO**, la máquina le pedirá conectar una unidad de recuperación externa a la conexión de purga con el fin de eliminar el refrigerante contaminado de la máquina. Con la finalidad de completar la limpieza del circuito interno, máquina realizará 10 minutos de vacío.

VACIADO DE TUBOS

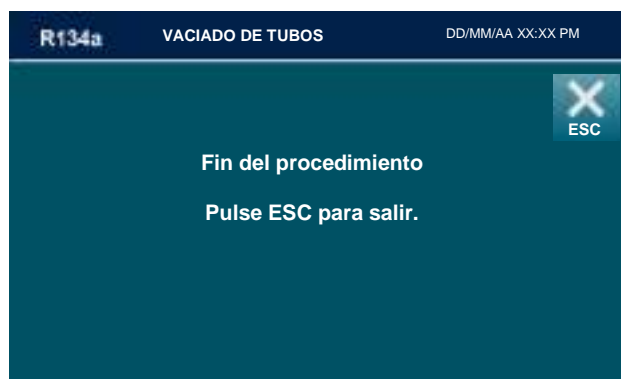
Desde MANTENIMIENTO , seleccionar VACIADO DE TUBOS, se mostrará la siguiente pantalla:



Abra las válvulas manuales y pulse ENTER



La máquina recuperará todo el refrigerante de las mangueras de servicio, luego sonará una alarma y se mostrará la siguiente pantalla:



Pulse ESC para volver al MENÚ MANTENIMIENTO; el VACIADO DE TUBOS se ha completado con éxito.

NOTA: Verifique periódicamente el apriete de los acoplamientos LP y HP a las mangueras de servicio y de las mangueras de servicio a la unidad

CAMBIAR FILTRO SECADOR

Reemplace el filtro cada vez que la máquina active las señales de la alarma de mantenimiento ante la presencia de humedad en el circuito.

Antes de realizar cualquier operación, compruebe que el filtro de repuesto es del mismo tipo del que está instalado en la máquina.

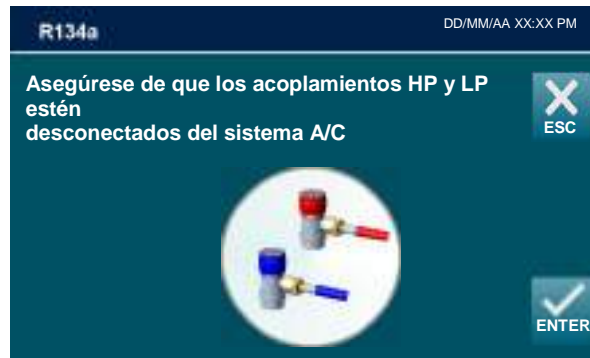
Luego, proceda como se describe a continuación:

- 1) **Usar guantes y gafas de protección**
- 2) Conectar la máquina al suministro eléctrico y encenderla.
- 3) Anotar el código de emisión de los filtros nuevos.

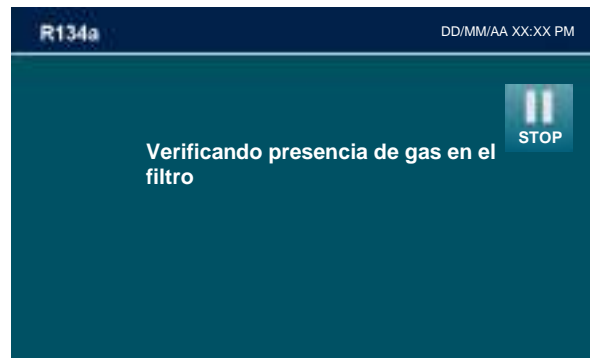
IMPORTANTE: El reemplazo del filtro debe realizarse lo más rápidamente posible a fin de evitar la posible contaminación por la humedad en el aire ambiente.

NOTA: Si es posible, verifique el sello de los acoplamientos del nuevo filtro usando un medidor electrónico de fugas.

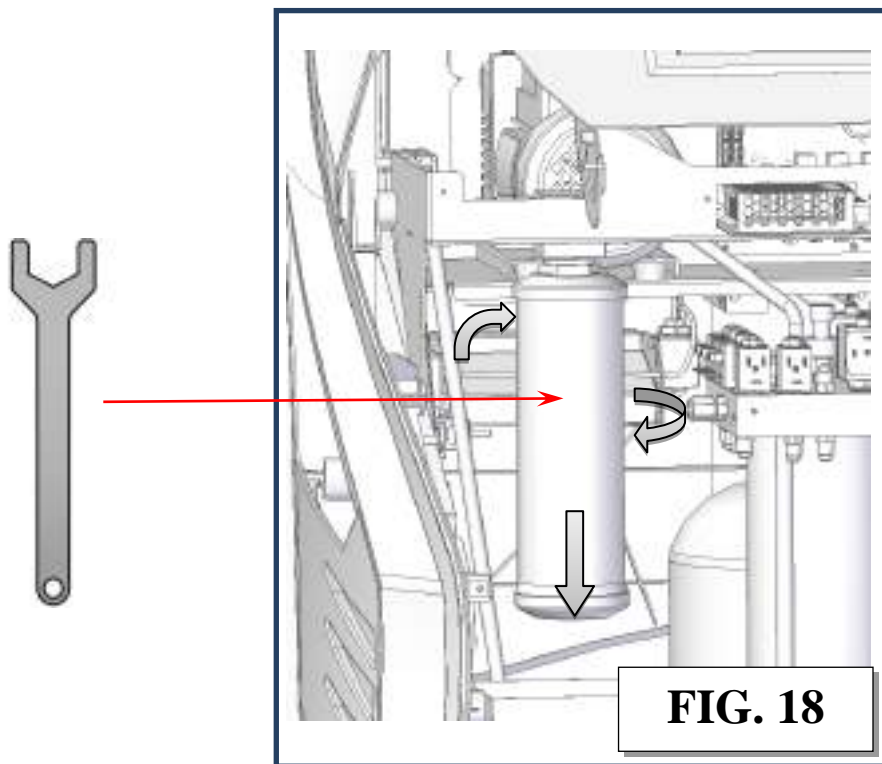
- 4) Desde MANTENIMIENTO, seleccione ALARMA DE MANTENIMIENTO, y se mostrará el siguiente mensaje de advertencia:



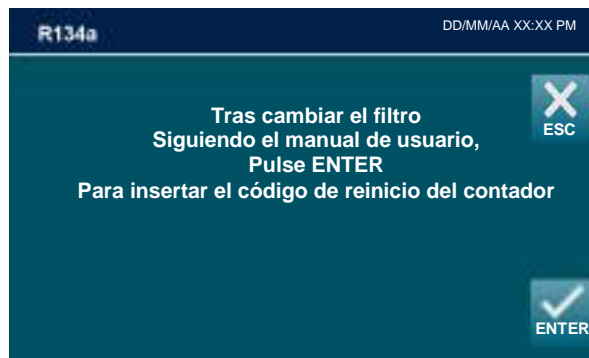
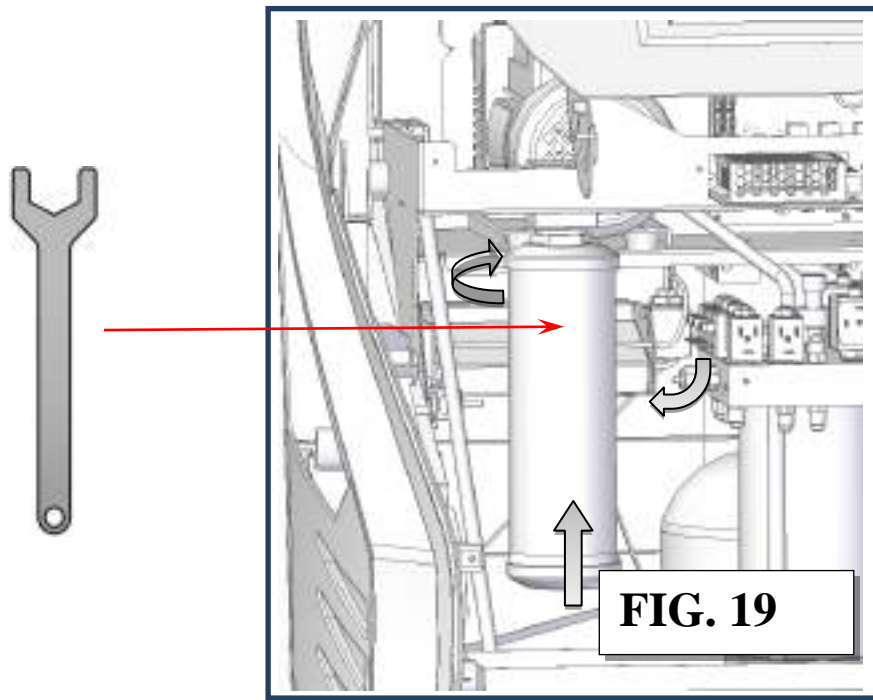
Una fuga accidental de refrigerante puede causar graves daños a la piel y los ojos. Póngase gafas y guantes protectores. Asegúrese de que el acoplamiento HP y LP están desconectados del sistema A/C o, si no es así, pulse ENTER. La máquina comprobará presencia de refrigerante:



- 5) Y si es necesario lo recuperará
- 6) Retire el filtro de la secadora, use la llave especial (ref. Fig.18)



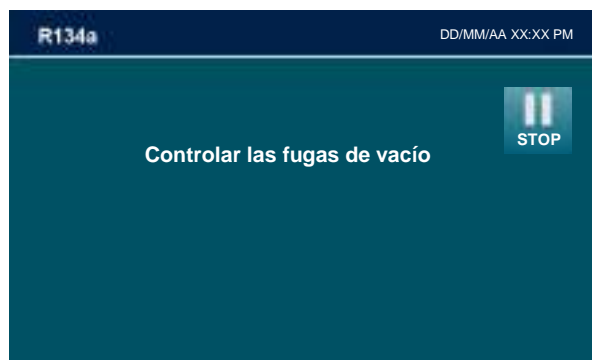
7) Tome el filtro nuevo, humedezca con aceite limpio POE ambas juntas tóricas y verifique que estén correctamente colocados en sus asientos.



8) Introduzca el código del filtro y pulse ENTER para borrar la alarma. Si el código del filtro no está disponible, llame al Centro de Servicio:



9) Pulse OK para continuar con la verificación de vacío:

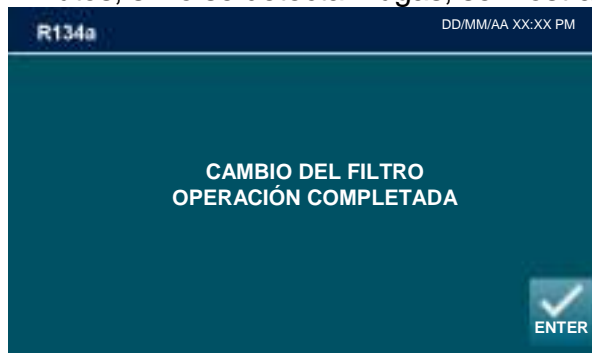


10) Si se detectan fugas, se mostrará la siguiente pantalla:

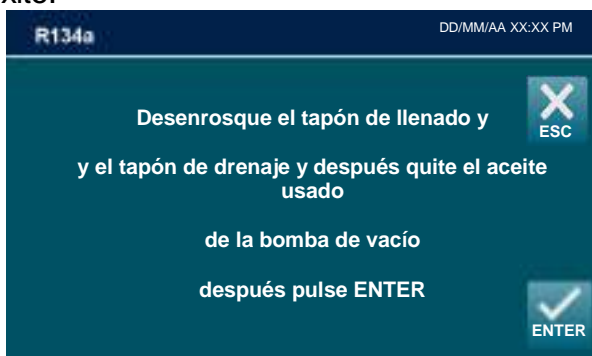


Compruebe el ajuste del filtro y pulse ESC para reiniciar la verificación de vacío.

11) Después de unos minutos, si no se detectan fugas, se mostrará la siguiente pantalla:



12) Pulse ENTER. El REINICIO DEL CONTADOR DEL FILTRO ANALIZADOR se ha completado con éxito.



BOMBA DE VACÍO

A la vez que se cambia el filtro, la máquina le pedirá que cambie el aceite de la bomba de vacío.

Realizar las operaciones citadas a continuación sobre una base de rutina a fin de garantizar el buen funcionamiento de la bomba de vacío:

M1) Recarga de aceite.

M2) Cambio de aceite.

Al recargar o sustituir la bomba de aceite, utilizar sólo el aceite recomendado por el fabricante. Póngase en contacto con su distribuidor para obtener información sobre el tipo de aceite correcto.

M.1) RECARGA DE ACEITE

Esta operación se debe llevar a cabo cuando el nivel del aceite sea inferior a la mitad del indicador (ver 3, Fig. 20).

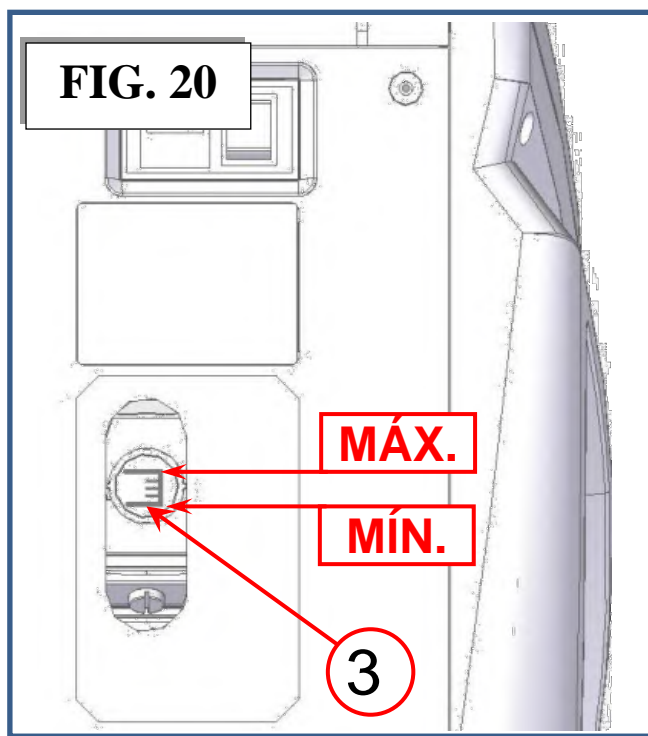
NOTA: Para controlar correctamente el nivel de aceite, ponga a funcionar la bomba al menos 1 minuto (con un procedimiento de vacío en la manguera durante 1 minuto) para que el aceite se fluidifique.

Controlar el nivel de aceite cuando la bomba se detiene.

Para recargar el aceite, realizar los siguientes pasos en el orden indicado.

Desconectar la *máquina* de los suministros principales. Retire la cubierta de plástico posterior

Localice el tapón de llenado (ver 1, Fig. 20) y atorníllelo por completo.



Se visualiza la siguiente pantalla:

Llene nuevamente la bomba de vacío con
aceite nuevo

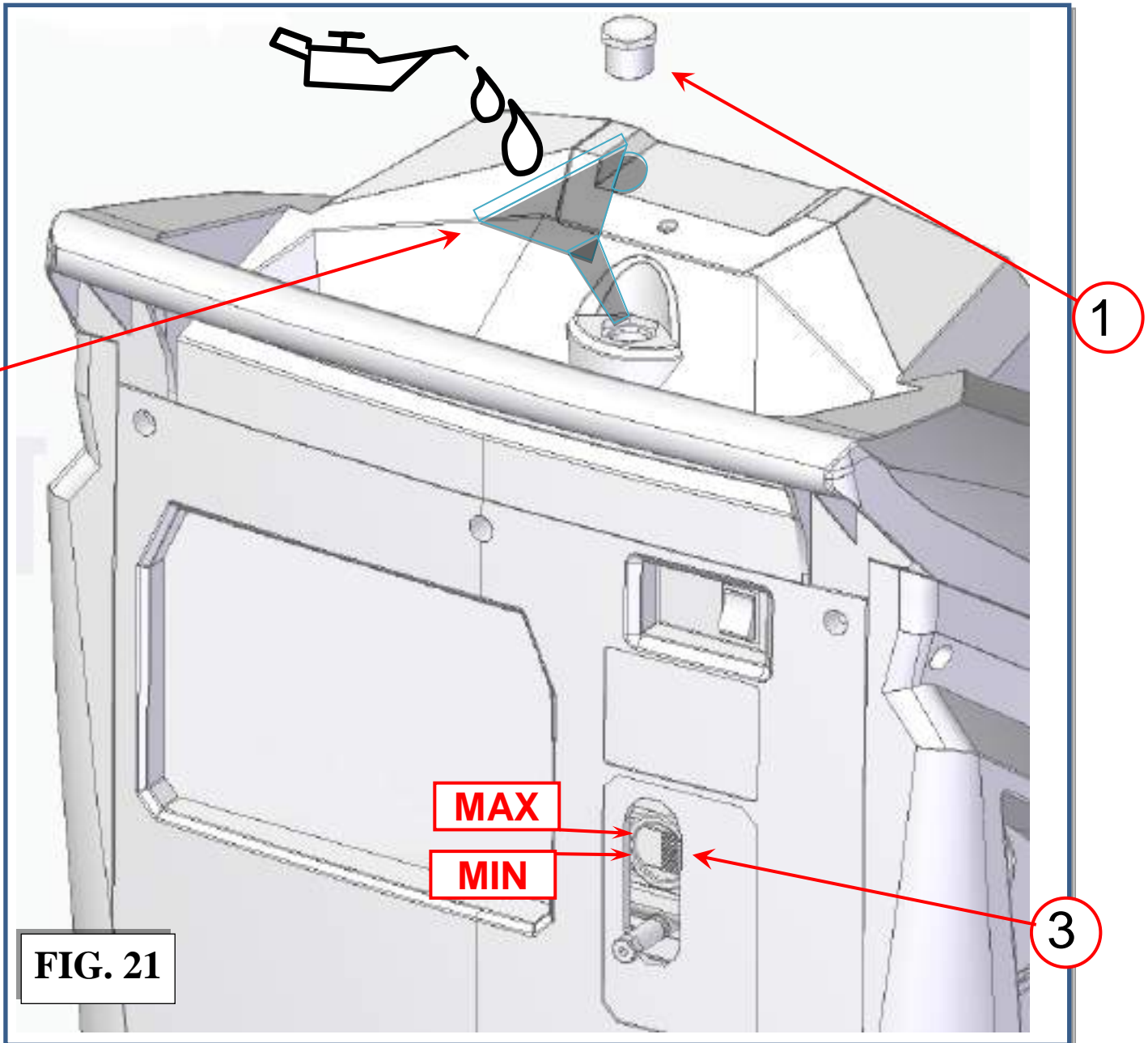
Hasta el centro del vaso de verificación

Y luego coloque el tapón de llenado.

Al terminar, pulse ENTER para salir.



El aceite debe añadirse con un embudo apropiado por el orificio en el que se haya colocado el tapón del aceite (ver 5, Fig. 21).



Añada el aceite poco a poco, y espere a que el nivel suba antes de cada adición sucesiva, hasta que el nivel de aceite esté alrededor de $\frac{1}{2}$ cm por encima de la marca roja del indicador (ver 3, Fig. 21).

Vuelva a colocar el tapón de llenado (ver 1, Fig. 21) y ajústelo.

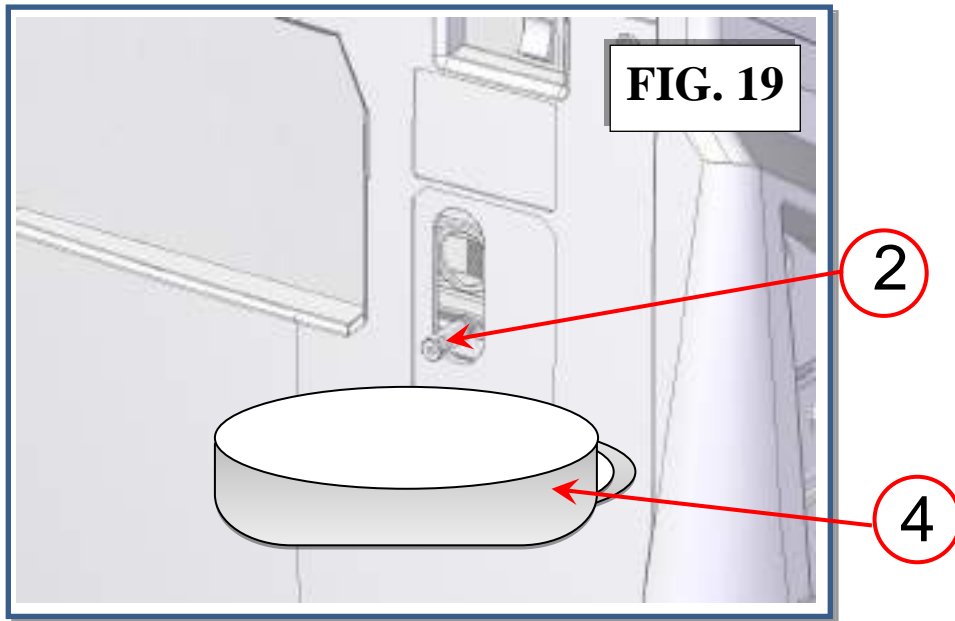
M.2) CAMBIO DE ACEITE

El aceite de la bomba de vacío debe reemplazarse cada 20 horas de funcionamiento y, en cualquier caso, cada vez que se sustituyan los filtros de refrigerante.

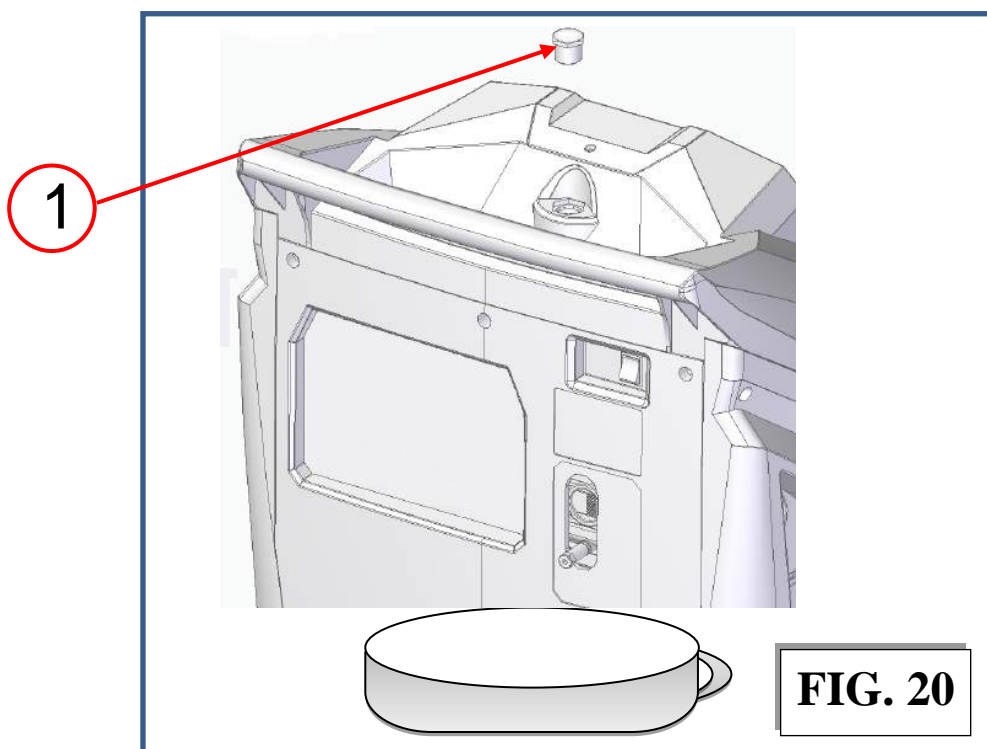
NOTA: se visualiza un mensaje de alarma, para eliminarlo remitirse al apartado CAMBIO DEL ACEITE DE LA BOMBA DE VACÍO.

También se debe reemplazar el aceite cada vez que cambie de color debido a la absorción de humedad. Antes de comenzar el procedimiento de cambio de aceite, obtener un recipiente de al menos 500 cm³ de capacidad en el cual recoger el aceite usado. La bomba contiene alrededor de **250 ml de aceite**. Usar únicamente los aceites recomendados por el fabricante (consultar al distribuidor). El uso de aceite no recomendado puede perjudicar el funcionamiento apropiado de la bomba e invalidar la garantía.

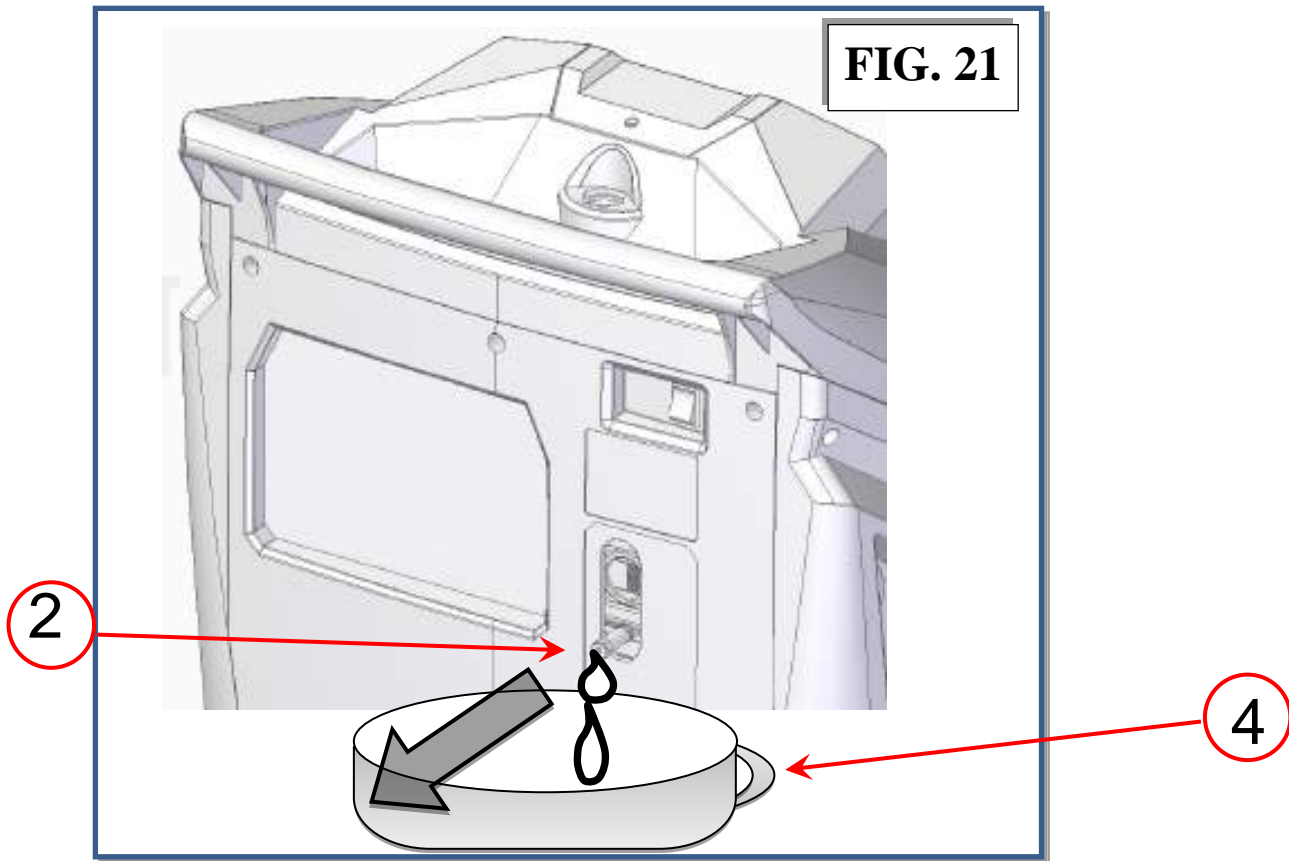
- 1) Desconectar la máquina de los suministros principales.
- 2) Colocar un recipiente (ver 4, Fig. 19) debajo del grifo de drenaje (ver 2, Fig. 19).



- 3) Desenrosque el tapón de llenado (ver 1, Fig. 20).

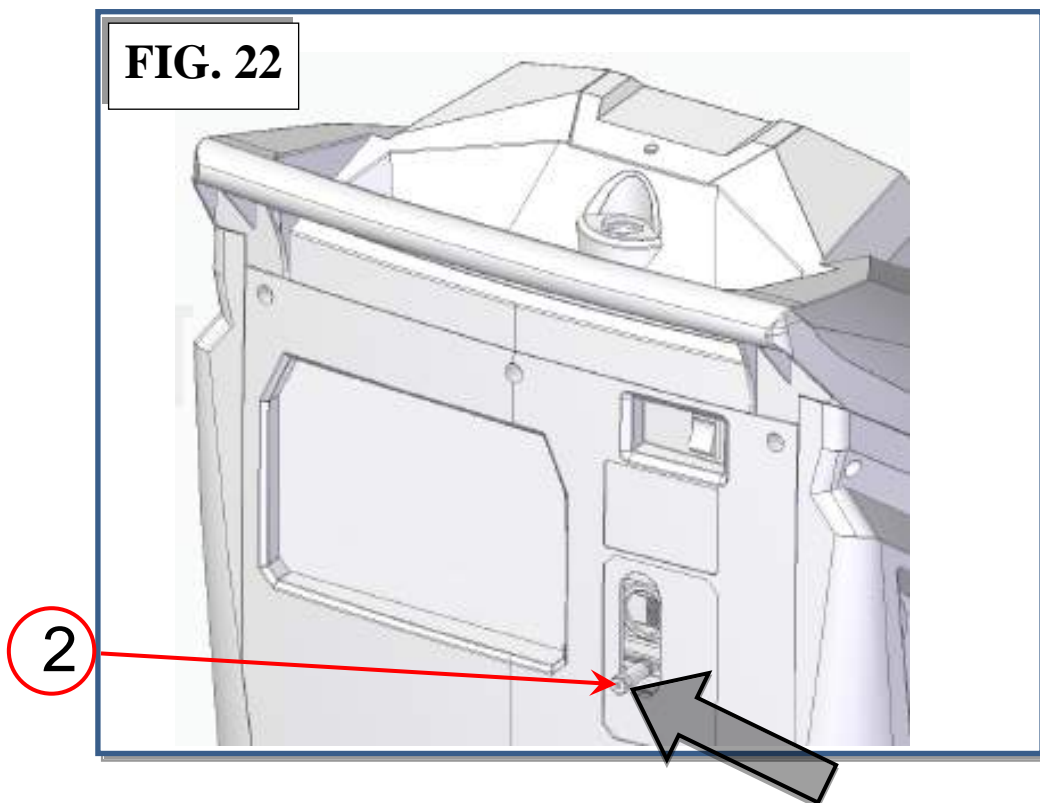


4) Desenrosque la tapa de drenaje (ref.2, Fig.21).

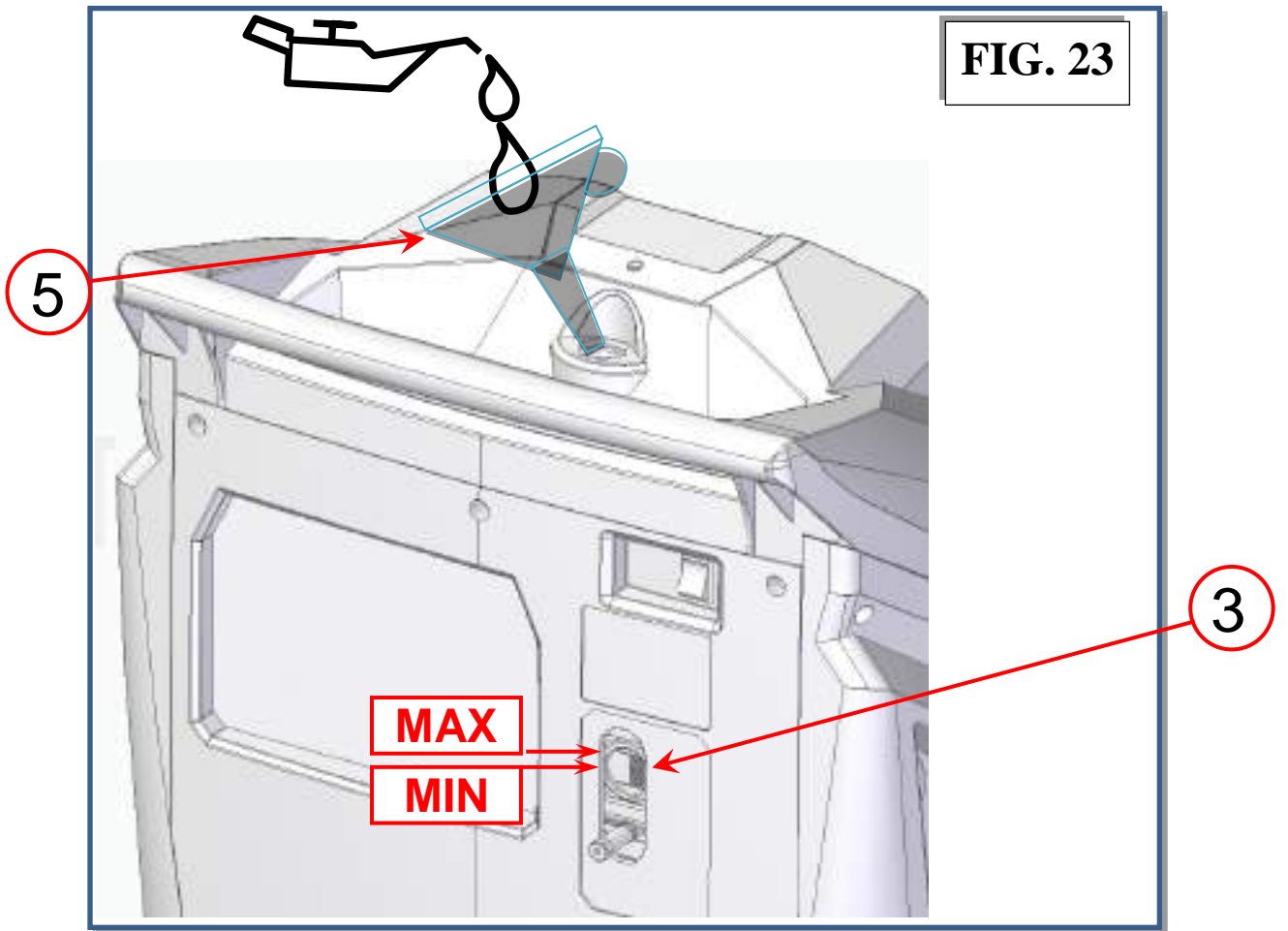


Deje que todo el aceite se termine en un contenedor de eliminación (ver 4, Fig. 21), con una altura <math>< 10\text{ cm}</math>.

5) Cierre el tapón de drenaje (ver 2, Fig. 22).

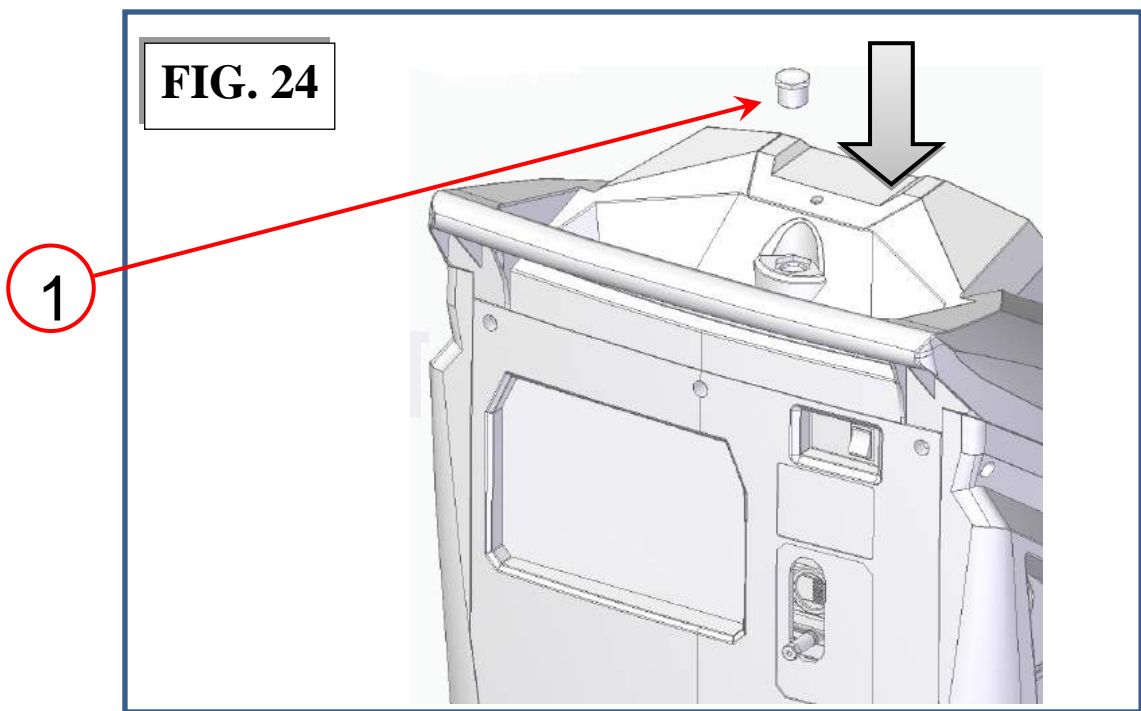


6) Vierta el aceite nuevo a través del orificio de llenado utilizando un embudo adecuado (ver 5, Fig. 26), hasta que el nivel aumente hasta el punto medio del indicador (ver 3, Fig. 23)



ESPAÑOL

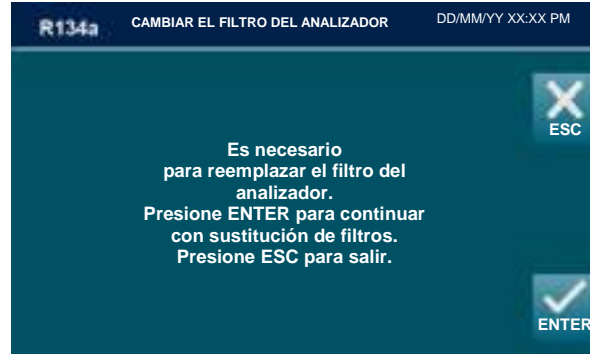
7) Vuelva a colocar el tapón de llenado (ver 1, Fig. 24) y ajústelo.



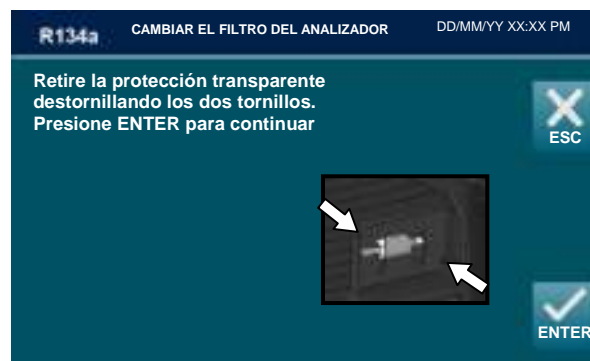
CAMBIAR EL FILTRO DEL ANALIZADOR (ECO NEXT ONE HFO solamente)

NOTA: Use guantes y anteojos protectores.

El filtro del analizador de gases debe reemplazarse cuando la máquina visualiza el mensaje de alarma "cambiar el filtro del analizador" (generalmente cada 150 análisis). Pulse ENTER para proceder a la sustitución del filtro.



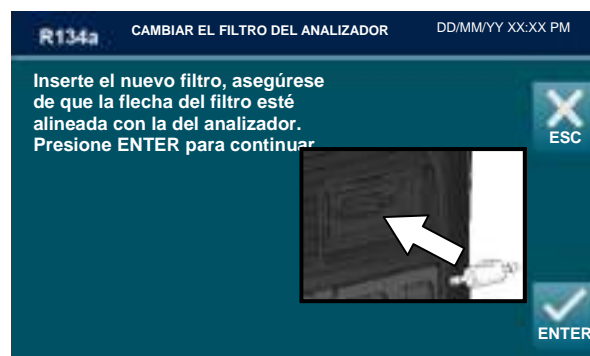
Presione ENTER para continuar con la sustitución del filtro, se mostrará la siguiente pantalla:



Retire la protección transparente destornillando los dos tornillos. Presione ENTER para continuar, se mostrará la siguiente pantalla:



Quite el filtro. Presione ENTER para continuar, se mostrará la siguiente pantalla:



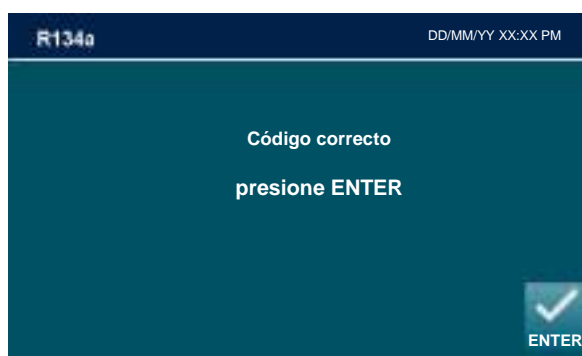
Inserte el nuevo filtro, asegúrese de que la flecha del filtro esté alineada con la del analizador. Presione ENTER para continuar, se mostrará la siguiente pantalla:



Vuelva a colocar la protección transparente atornillando los dos tornillos. Presione ENTER para continuar, se mostrará la siguiente pantalla:



Escriba el CÓDIGO DE RESTABLECIMIENTO del cuadro de filtros de par de repuesto, luego presione ENTER para continuar, aparecerá la siguiente pantalla:

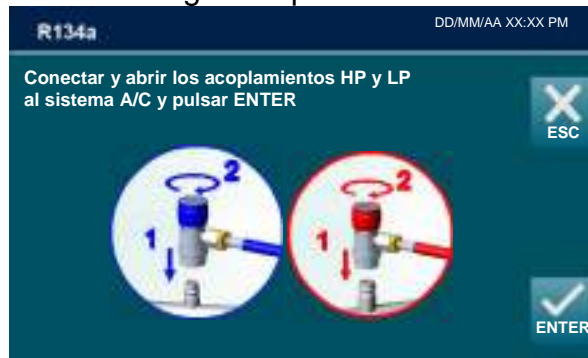


RESTABLECER EL CONTADOR DEL FILTRO DEL ANALIZADOR se completó con éxito, presione ENTER para salir. NOTA: Si no se reemplazan los filtros, se podría dañar el analizador con aceite y anular la garantía.

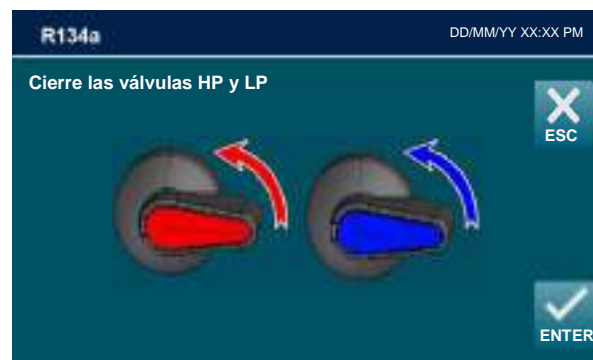
ESPAÑOL

CONTROL DE PRESION A/C

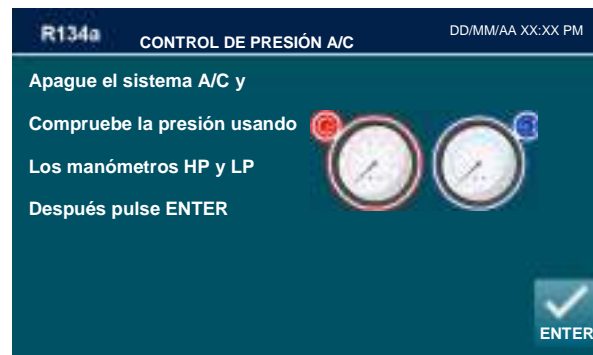
Desde MANTENIMIENTO, vaya hasta la 2.^a página con la flecha ▶ y seleccione CONTROL DE PRESION A/C, y se mostrará la siguiente pantalla:



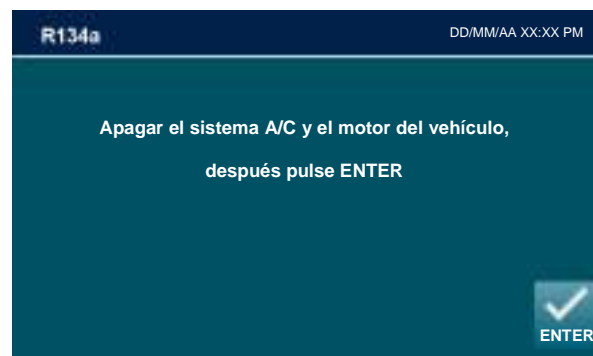
Conecte y abra el acoplamiento conectado al sistema A/C, a continuación, pulse ENTER; pulse ESC para volver. Se mostrará la siguiente pantalla:



Cierre las válvulas HP y LP. Pulse ENTER.



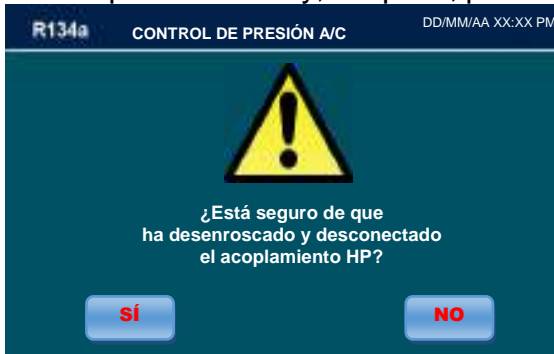
Encienda el sistema de aire acondicionado y compruebe la presión usando los manómetros HP y LP, y, a continuación, pulse ENTER:



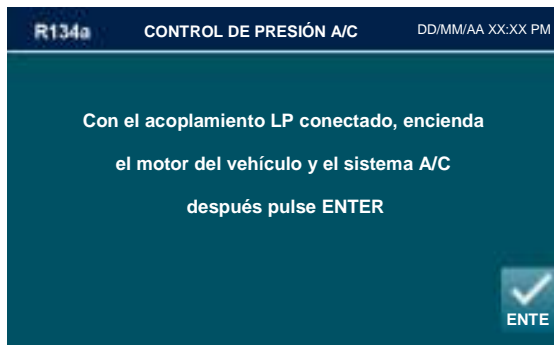
Apague el sistema de aire acondicionado y el motor del vehículo, a continuación pulse ENTER:



Desenrosque y desconecte el acoplamiento HP y, después, pulse ENTER:



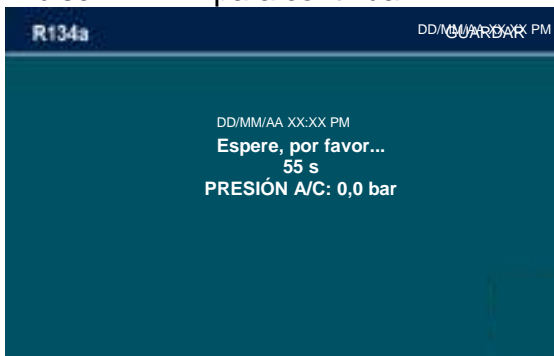
Pulse Sí para confirmar:



Con el acoplamiento LP conectado, encienda el motor del vehículo y el sistema de aire acondicionado, a continuación pulse ENTER:

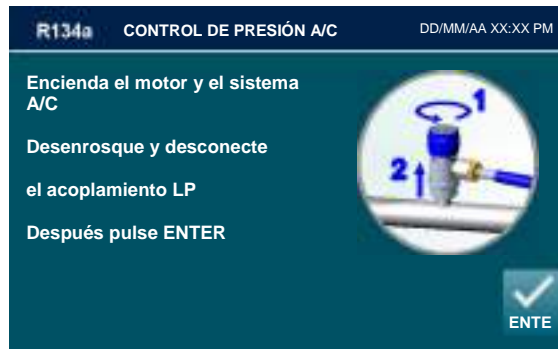


Abra las válvulas HP y LP. Pulse ENTER para continuar:

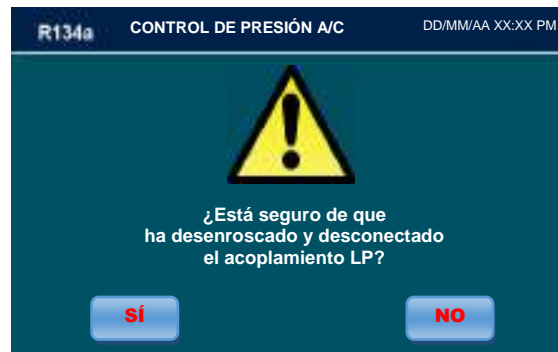


ESPAÑOL

El sistema A/C del vehículo recuperará el refrigerante de las mangueras de servicio, y, a continuación:



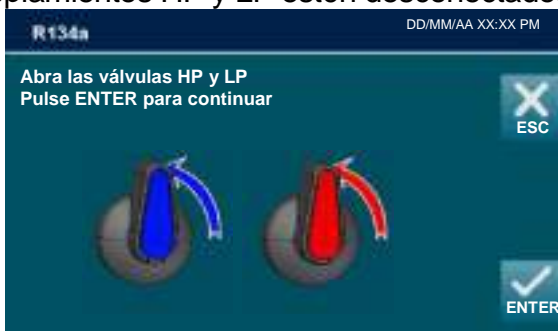
Apague el motor y el sistema A/C, desenrosque el acoplamiento LP sin desconectarlo, y, a continuación, pulse OK:



Pulse Sí para confirmar:



Asegúrese de que los acoplamientos HP y LP estén desconectados del sistema A/C:



Abra las válvulas HP y LP. Pulse ENTER para continuar:




La máquina recuperará el refrigerante residual en las mangueras de servicio y luego se mostrará la siguiente pantalla:

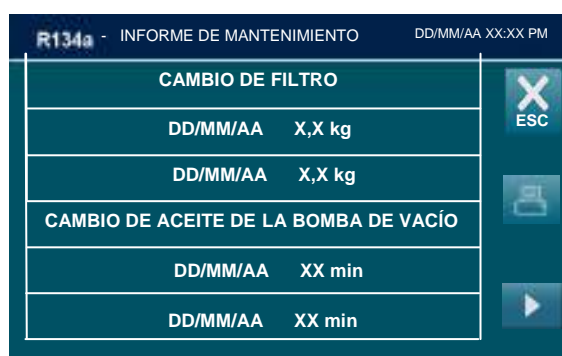


Desconecte el acoplamiento del sistema A/C, pulse ESC para volver al MENÚ DE MANTENIMIENTO; la CONTROL DE PRESION A/C se ha completado con éxito.

INFORME DE MANTENIMIENTO

La máquina realiza un seguimiento de las operaciones de mantenimiento realizadas.

Desde MANTENIMIENTO, vaya hasta la 2.^a página con la flecha  y seleccione INFORME DE MANTENIMIENTO, y se mostrará la siguiente pantalla:



ARCHIVO DE SERVICIOS

La máquina realiza un seguimiento de las operaciones realizadas con el fluido refrigerante: recuperación, recarga del sistema, llenado del depósito interno. Para cualquier operación, se crea un registro con fecha, hora, tipo de operación, cantidades implicadas, n.º de operador y disponibilidad del fluido refrigerante del depósito interno.

Desde MANTENIMIENTO, vaya a la 2.^a página con la  a  y seleccione DIAGNÓSTICO ESTÁTICO.

Se abrirá la siguiente ventana:



ESPAÑOL

BÚSQUEDA POR PLACA

Seleccione BÚSQUEDA POR PLACA, y se mostrará la siguiente pantalla:



Use el teclado para introducir el número de la placa por buscar, luego pulse ENTER:



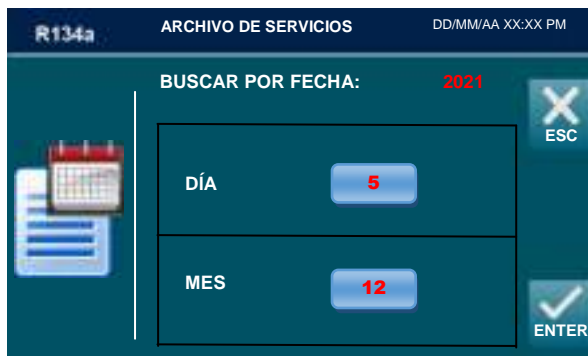
Aparecerá una lista, seleccionar el servicio para información detallada:



Pulse  para imprimir el informe del servicio o pulse ESC para volver al menú anterior.

BÚSQUEDA POR FECHA

Seleccione BÚSQUEDA POR FECHA, se mostrará la siguiente pantalla:



Introduzca la fecha por buscar, luego pulse ENTER:



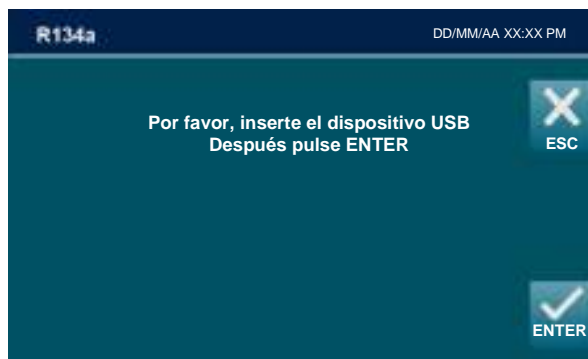
Aparecerá una lista, seleccionar el servicio para información detallada:



Pulse  para imprimir el informe del servicio o pulse ESC para volver al menú anterior.

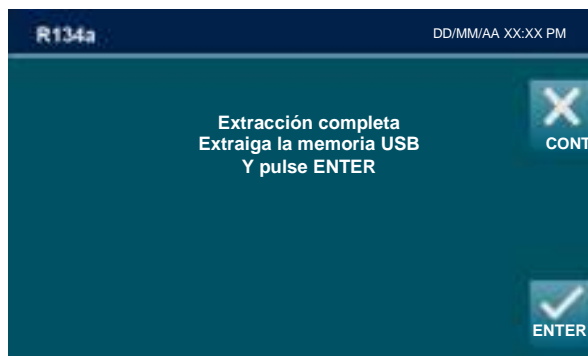
EXTRAER ARCHIVO

Al seleccionar EXTRAER ARCHIVO, se visualizará la siguiente pantalla:



Inserte el dispositivo de almacenamiento (FAT32, 256 Mb mín.) en el puerto USB y pulse OK para guardar una copia en un archivo .CSV con todas las operaciones en la memoria USB.

Se mostrará la siguiente pantalla durante unos segundos:



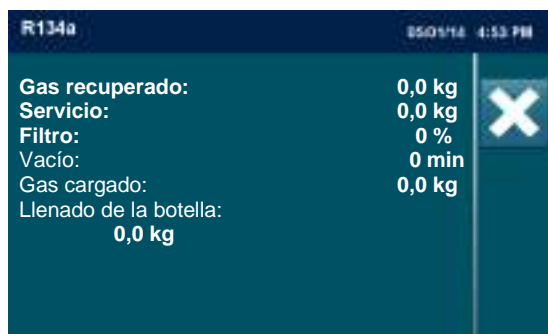
La extracción se ha completado. La máquina volverá al menú anterior.

CONTADORES

Se usa para la verificación total de los CONTADORES de: gas recuperado, medidor alarma de mantenimiento, minutos totales de vacío, gas inyectado, gas recuperado en el depósito con la función de llenado del depósito.

Desde MANTENIMIENTO, vaya a la 2.^a página con la flecha ▶ y seleccione DIAGNÓSTICO ESTÁTICO.

Se abrirá la siguiente ventana:



En esta pantalla se visualiza los valores totales para: gas recuperado, CONTADORES de alarma de mantenimiento, tiempo total de vacío (minutos), gas inyectado, gas recuperado en el depósito interno.

RECARGA DEL CONTENEDOR DE ACEITE NUEVO RECARGABLE (ECO NEXT ONE solamente)

Tipos de aceite: utilice únicamente los aceites recomendados por el fabricante o por los fabricantes del coche. Consulte siempre la información proporcionada por el fabricante del sistema de aire acondicionado. Nunca utilice aceite usado.

Procedimiento:

1. Pulse el botón de conexión rápida (ver 1, Fig. 28) para desconectar el contenedor de aceite
2. Retirar el contenedor de su alojamiento

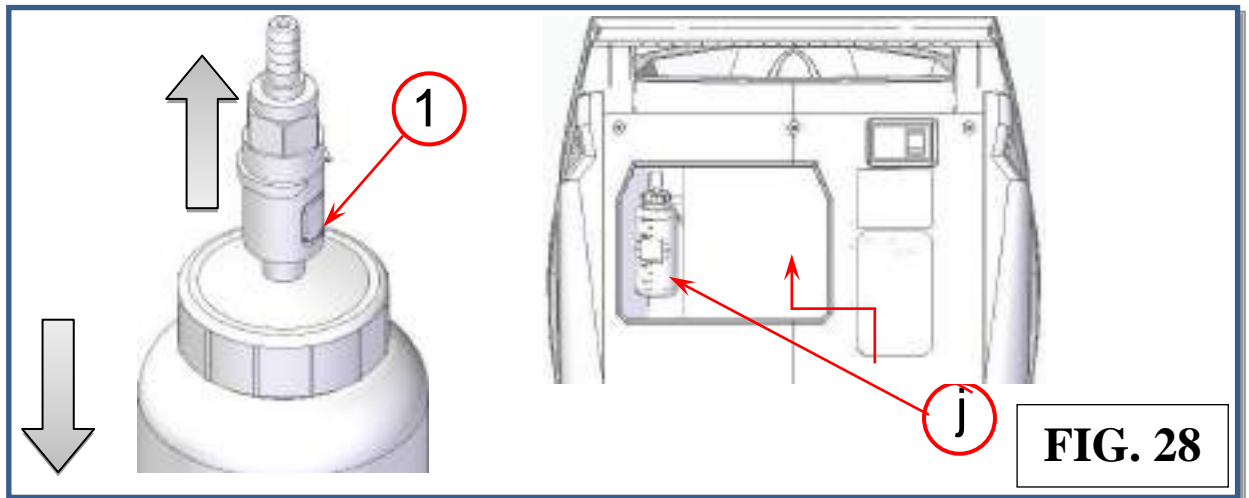
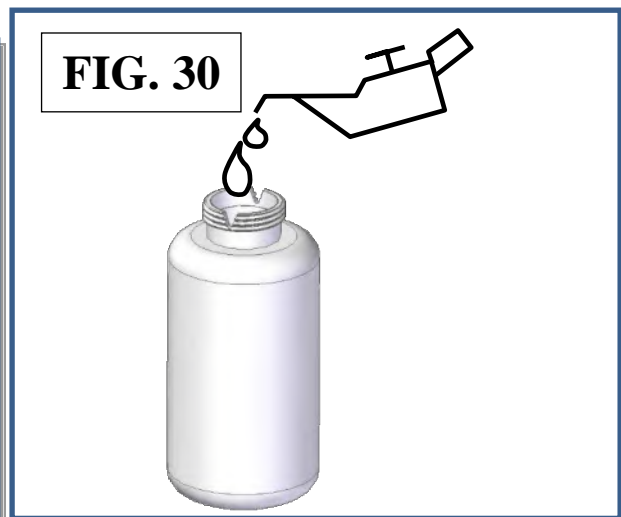
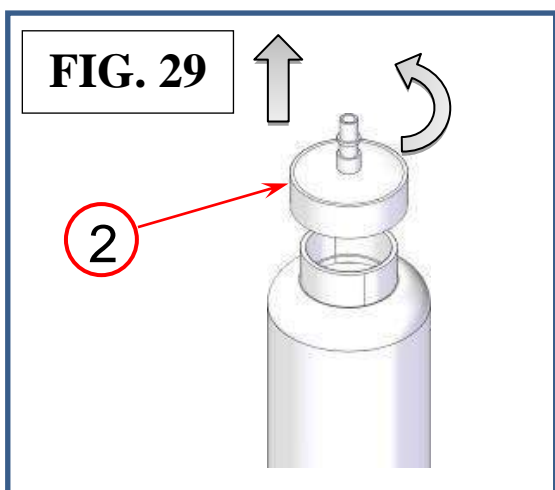


FIG. 28

3. Sostenga el contenedor y desenrosque la tapa (ver 2, Fig. 29). Llene el contenedor (Fig. 30) con la cantidad correcta (unos 250-260 ml) de aceite para compresores, del tipo y grado adecuado.



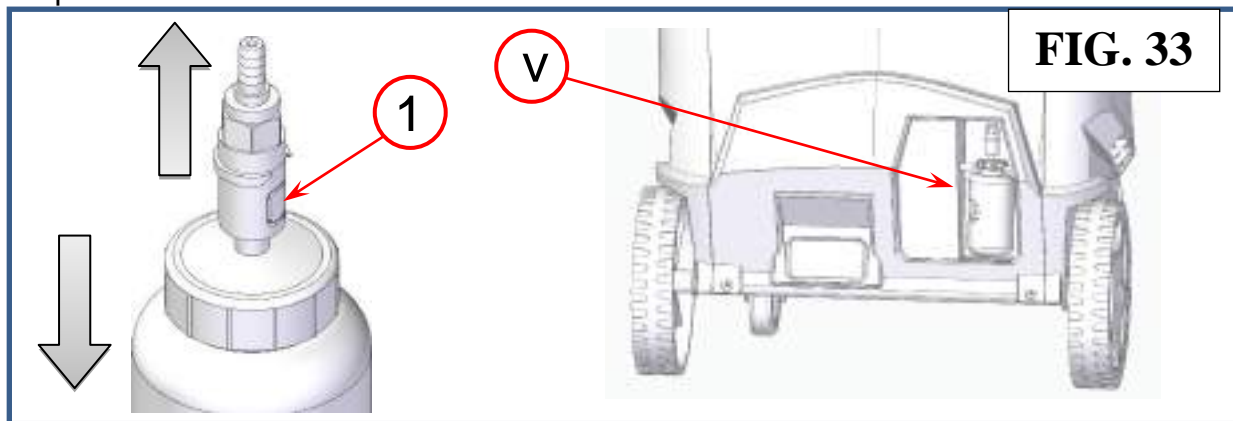
NOTA: con el fin de reducir la humedad y la contaminación del aire por el aceite nuevo, debe llenar el contenedor plegable casi hasta el borde.

4. Coloque de nuevo la tapa (ver 2, Fig. 29) en el contenedor.
5. Vuelva a colocar el contenedor en su ubicación y conéctelo a la conexión rápida, teniendo cuidado de no ejercer presión sobre la balanza para no dañarla.

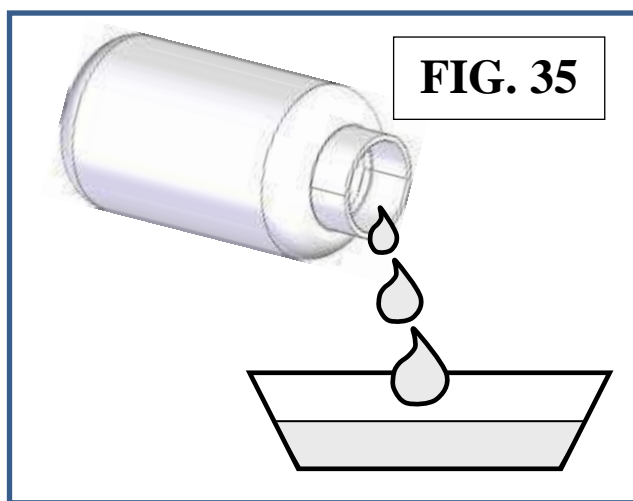
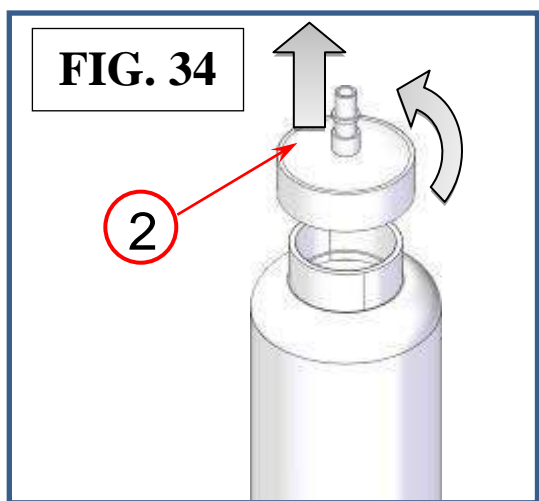
VACIADO DEL CONTENEDOR DE ACEITE USADO

Procedimiento:

1. Pulse el botón de conexión rápida (ver 1, Fig. 33) para desconectar el contenedor de aceite usado.
2. Levante de su ubicación el contenedor de aceite usado (ver v, Fig. 33) sin ejercer presión sobre la balanza.



3. Desenrosque el tapón (ver 2, Fig. 34) mientras sujeta el contenedor; vacíe el aceite usado en un recipiente adecuado para aceites usados (Fig. 35).



4. Coloque de nuevo la tapa en el contenedor.
5. Vuelva a colocar el contenedor en su ubicación y conéctelo a la conexión rápida, teniendo cuidado de no ejercer presión sobre la balanza para no dañarla.

NOTA: Con el fin de evitar daños en la balanza de aceite, no ejerza presión sobre ella ni desde arriba ni desde abajo.

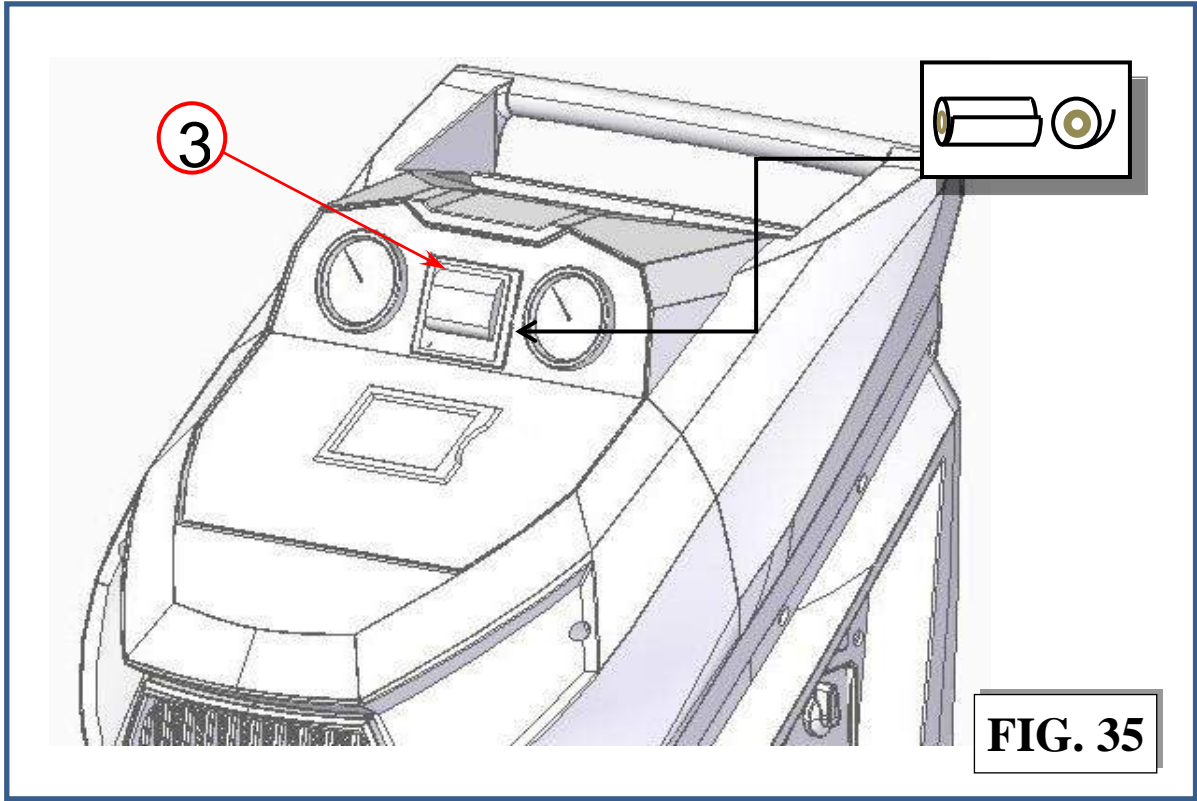
REEMPLAZO DEL PAPEL DE LA IMPRESORA

Abra la tapa de la impresora (ver 3, Fig. 35), y reemplace el rollo de papel por uno nuevo.

Utilice solamente papel sensible al calor del tipo que se describe a continuación.

Ancho del papel: 58 mm

Diámetro máximo del rollo de papel: 40 mm



DATOS

Este menú muestra todos los datos que ha leído la máquina. Desde el MENÚ PRINCIPAL:



Pulse la tecla «i» , y se mostrará la siguiente pantalla:



- Refrigerante en depósito:
 - Total: cantidad total de refrigerante en el depósito de almacenamiento.
 - Disponible: cantidad de refrigerante disponible en el depósito de almacenamiento.
- Temperatura del depósito: temperatura del depósito de almacenamiento de refrigerante.
- ACEITE: cantidad de ACEITE en los contenedores de ACEITE.
- SW V.: Versión del *software*

Pulse para volver al MENÚ PRINCIPAL

RESUMEN DE CÓDIGOS

Código de opción: 43210791

INDEX

INDEX	3
SÉCURITÉ	5
<i>CONSIGNES DE SECURITE</i>	5
RISQUES D'EXPLOSION	5
RISQUES DE CHALEUR/CONGELATION	5
MESSAGE SUR LA SECURITE GENERALE	6
RISQUES D'INHALATION	7
CONSIGNES DE SECURITE ADDITIONALLES	7
<i>RECCORDEMENT DES TUYAUX</i>	8
DISPOSITIFS DE SECURITE	8
<i>REFRIGERANT ET LUBRIFIANT EQUIPEMENT DE PROTECTION PERSONNELLE ET PRECAUTION</i>	8
<i>PRECAUTIONS PUOR LA MANIPULATION ET L'UTILISATION DES FLUIDES R134a OU R1234yf</i>	8
INTRODUCTION	9
<i>CERTIFICATION</i>	9
<i>A PROPOS DE CE MANUEL</i>	9
<i>A PROPOS DE VOTRE CENTRE DE SERVICE APRES-VENTE CLIMATISATION</i>	10
CONDITIONS DE GARANTIE	11
GENERAL INFORMATION	12
PRINCIPES DE FONCTIONNEMENT	13
CONFIGURATION	14
<i>MONTAGE DES TUYAUX</i>	14
<i>DÉVERROUILLAGE BALANCE DU LIQUIDE RÉFRIGÉRANT</i>	15
<i>VERROUILLAGE BALANCE DU LIQUIDE RÉFRIGÉRANT</i>	15
LA MACHINE.....	16
<i>COUVERCLE EN PLASTIQUE</i>	16
<i>PANNEAU DE CONTRÔLE</i>	16
<i>AFFICHAGE ICONES</i>	18
<i>COMPOSANTS BASIQUES</i>	19
<i>ALARMES</i>	26
<i>CODES D'ERREUR</i>	26
OPÉRATIONS PRÉLIMINAIRES	27
<i>QUICKSETUP (CONFIGURATION RAPIDE)</i>	28
PROCÉDURE AUTOMATIQUE	29
<i>MODIFIER LES DONNÉES DE VIDE :</i>	29
<i>MODIFIER LES DONNÉES DE L'HUILE (ECO NEXT ONE uniquement)</i>	30
<i>MODIFIER LES DONNÉES DE REMPLISSAGE DU GAZ :</i>	30
<i>PROCÉDURE DE DÉMARRAGE AUTOMATIQUE:</i>	31
PROCÉDURE MANUELLE	37

RÉCUPÉRATION.....	37
VIDE	39
INJECTION D'HUILE (ECO NEXT ONE uniquement).....	41
PROCEDURE DÉMARRAGE	44
CHARGE (pour ECO NEXT ONE et ECO NEXT ONE HYBRID).....	45
PROCEDURE DÉMARRAGE	47
CHARGE (ECO NEXT ONE HFO uniquement).....	49
PROCEDURE DÉMARRAGE	49
CONFIGURATION.....	56
REGLAGE DONNEES DE VIDE	56
OPTIONS.....	57
PERSONNALISER L'IMPRESSION.....	57
REGLAGE DATE ET HEURE	58
LANGUE	58
UNITÉS DE MESURE.....	59
MAINTENANCE.....	60
REPLISSAGE BOUTEILLE.....	60
PURGE D'AIR MANUELLE.....	62
ANALYSE DE GAZ (ECO NEXT ONE HFO uniquement)	62
VIDAGE DES FLEXIBLES	64
CHANGEMENT FILTRE	65
POMPE À VIDE	69
M.1) REMISE À NIVEAU HUILE	69
M.2) VIDANGE D'HUILE	71
CHANGER LE FILTRE D'ANALYSEUR (ECO NEXT ONE HFO uniquement).....	74
CONTRÔLE PRESSIONS A/C.....	76
RAPPORT DE MAINTENANCE	79
ARCHIVES SERVICES.....	79
RECHERCHE PAR PLAQUE	80
RECHERCHE PAR DATE	80
EXTRACTION DES ARCHIVES	81
COMPTEURS.....	82
REPLISSAGE DU NOUVEAU RÉCIPENT D'HUILE RECHARGEABLE (ECO NEXT ONE uniquement).....	83
VIDANGER LE CONTENEUR DE L'HUILE USÉE.....	84
REPLACEMENT DU PAPIER DE L'IMPRIMANTE.....	85
DONNEES	86
RESUME DES CODES.....	86

SÉCURITÉ

Les informations suivantes sur la sécurité sont fournies à titre indicatif pour vous aider à utiliser votre nouveau système dans les conditions les plus sûres possibles. Tout équipement qui utilise des produits chimiques peut être potentiellement dangereux à utiliser lorsque les consignes de sécurité ou de manipulation en toute sécurité ne sont pas connues ou non respectées. Les consignes de sécurité suivantes visent à fournir à l'utilisateur les informations nécessaires pour une utilisation et un fonctionnement en toute sécurité. Veuillez lire et conserver ces instructions pour l'utilisation continue et sûre de votre système de service.

CONSIGNES DE SÉCURITÉ

Chaque travailleur respecte les outils avec lesquels il travaille. Il sait que les outils représentent des années de conception et de développement en amélioration constante. Le véritable travailleur sait aussi que les outils sont dangereux si mal utilisés ou maltraités. Pour réduire les risques d'inconfort, de maladie ou même de mort, lire, comprendre et respecter les consignes de sécurité suivantes. S'assurer de plus que quiconque utilise cet équipement comprenne et suive aussi ces consignes de sécurité.

LIRE ATTENTIVEMENT TOUTES LES INFORMATIONS DE SÉCURITÉ avant d'installer, utiliser, ou effectuer les opérations de maintenance de cet équipement. Le non-respect de ces instructions peut entraîner des blessures et / ou des dommages matériels.

CONSERVER LES INFORMATIONS DE SÉCURITÉ SUIVANTES POUR POUVOIR LES CONSULTER ULTÉRIEUREMENT.

Les normes publiées sur la sécurité sont disponibles et sont listées à la fin de la présente section sous **INFORMATIONS ADDITIONNELLES SUR LA SÉCURITÉ**.

Le Code National d'Électricité, les règlements sur la Santé et la Sécurité au Travail, les codes industriels locaux et les exigences d'inspection locales fournissent également une base pour l'installation de l'équipement, l'utilisation et l'entretien.

Les symboles d'alerte de sécurité suivants identifient les messages de sécurité importants contenus dans ce manuel.

Lorsqu'on voit l'un des symboles montrés ici, être conscient du risque de blessures et lire attentivement le message qui suit.

RISQUES D'EXPLOSION

⚠Avertissement



Risque d'explosion

- **Ne pas remplir le réservoir à plus de 80 % de sa capacité maximale.**
L'explosion peut causer la mort ou des blessures corporelles.

RISQUES DE CHALEUR/CONGÉLATION

⚠Avertissement



Risque de blessure corporelle

- **Manipuler les réfrigérants et récipients sous pression avec prudence.**
- **Porter des lunettes de sécurité, des gants et des vêtements appropriés.**
- **Éviter tout contact avec la peau.**
- **Éviter de respirer le nuage de vapeur provenant des lubrifiants et réfrigérants A/C.**





Le contact avec le réfrigérant peut causer des risques pour la santé, la cécité, et autres dommages physiques (gelures) et éventuellement la mort.



Risque de blessures et de dégâts matériels

- **Toujours utiliser un identifiant avant de récupérer le réfrigérant d'un véhicule.**
- **Récupérer seulement le réfrigérant qui a été certifié pour être utilisé avec le produit.**



La récupération des réfrigérants autres que ceux pour lesquels l'unité a été certifiée peut causer des blessures, des dommages matériels et éventuellement la mort. Les réfrigérants alternatifs peuvent contenir des produits inflammables tels que le butane ou propane et peuvent exploser ou provoquer un incendie.



MESSAGES SUR LA SÉCURITÉ GÉNÉRALE

⚠Avertissement

Risque de choc électrique



- **Débrancher l'appareil avant toute opération de maintenance ou de nettoyage.**
- **Ne pas utiliser l'appareil si le cordon ou la fiche sont endommagés.**

Un choc électrique peut causer des blessures ou la mort.

⚠Avertissement

Risque d'endommagement de l'équipement ou du circuit



- **Toujours débrancher l'équipement de la prise électrique lorsqu'il n'est pas utilisé.**
- **Ne jamais utiliser le cordon pour tirer la fiche de la prise. Saisir la fiche et tirer pour la débrancher.**
- **Si une rallonge est nécessaire, un cordon avec un courant nominal égal ou supérieur à l'équipement doit être utilisé. Des cordons conçus pour un courant inférieur peuvent chauffer.**
- **NE PAS adapter l'appareil pour un réfrigérant différent - il pourra s'ensuivre une défaillance du système. Les systèmes R134a ou R1234yf sont dotés de raccords spéciaux (par spécifications SAE) pour éviter la contamination croisée.**

Une mauvaise utilisation de l'équipement peut endommager l'équipement ou le circuit.

⚠Avertissement

Risque de mouvement imprévu du véhicule



- **Bloquer les roues motrices avec des cales avant d'effectuer tout essai avec le moteur en marche.**
- **Sauf indication contraire, enclencher le frein de stationnement et mettre le levier de vitesse au point mort ou sur stationnement.**
- **Si le véhicule est équipé d'un mécanisme de libération du déverrouillage automatique de frein de stationnement, le débrancher pour les tests et le rebrancher lorsque vous avez terminé.**
- **Aucune personne n'est autorisée à stationner devant ou derrière le véhicule pendant les essais.**
- **Ne pas laisser un moteur en marche sans surveillance.**

Un véhicule qui se déplace peut provoquer la mort ou des blessures graves.

⚠Avertissement

Risque de blessure corporelle

- **Rester et tenir à l'écart les vêtements et autres objets des parties brûlantes et mobiles.**
- **Placer les tuyaux et cordons à l'écart des pièces en mouvement.**
- **Ne pas porter de montres, bagues ou vêtements amples lorsque vous travaillez dans un compartiment moteur.**

Le contact avec les parties chaudes et mobiles peuvent provoquer des blessures.

RISQUES D'INHALATION**⚠Avertissement**

Risques de danger des fumées, gaz et vapeurs

- **Éviter de respirer le nuage de vapeur provenant des lubrifiants et réfrigérants A/C.**



- **Effectuer toujours les opérations de maintenance dans une zone adéquatement ventilée.**
- **Ne jamais faire fonctionner un moteur sans une ventilation adéquate pour les gaz d'échappement.**



La fumée, le gaz et les vapeurs peuvent provoquer une irritation aux yeux, nez et gorge, être la cause de maladie et provoquer la mort.

CONSIGNES DE SÉCURITÉ ADDITIONNELLES

Pour d'autres informations sur la sécurité, veuillez vous consulter les normes suivantes.

Norme ANSI Z87.1 — BONNE PRATIQUE EN MATIÈRE DE PROTECTION DES YEUX ET DU VISAGE DANS LES MILIEUX PROFESSIONNELS ET SCOLAIRES - pouvant être obtenue auprès de l'Institut des Normes Nationales Américaines, 11 West 42nd St., New York, NY 10036, Téléphone (212) 642-4900, Fax (212) 398-0023 - www.ansi.org

⚠Attention

Risques liés à la ventilation

- **Il doit y avoir au moins quatre changements d'air par heure ou l'équipement doit être situé à au moins 18" (457mm) au-dessus du sol.**

Une mauvaise ventilation peut provoquer une irritation aux yeux, nez et gorge, être la cause de maladie et provoquer la mort.



Risque d'explosion

- **Ne pas effectuer l'essai de pression ou le test d'étanchéité sur les équipements R134a ou R1234yf et/ou les systèmes de climatisation des véhicules avec de l'air comprimé.**

Un explosion peut causer des blessures ou la mort.

REMARQUE: N'utiliser que des produits lubrifiants neufs pour remplacer la quantité consommée pendant le processus de recyclage. Les produits lubrifiants utilisés doivent être éliminés conformément aux lois fédérales, nationales et selon les conditions requises locales.

Le fabricant ne sera pas responsable des coûts supplémentaires liés à une défaillance du produit, y compris, mais sans s'y limiter, à la perte du temps de travail, perte du réfrigérant, contamination croisée du réfrigérant et aux frais d'expédition/main-d'œuvre non autorisés.

⚠ Danger



Risque d'explosion

- **S'assurer de ne récupérer que par le raccord sur le système AC.**
- **Certains constructeurs automobiles installent sur le collecteur d'admission de carburant un connecteur identique au raccord de pression faible A/C.**

Une explosion peut causer des blessures ou la mort.

⚠ Avertissement



Risque de blessure corporelle

- **Ne pas utiliser l'appareil si le cordon ou les flexibles sont endommagés.**
- **Ne pas utiliser l'appareil s'il a été endommagé jusqu'à ce qu'un personnel d'entretien qualifié l'ait examiné.**

Des pièces endommagées peuvent causer des blessures ou la mort.

⚠ Avertissement



Dommages matériels possibles et incendie

- **Branchez le produit uniquement dans une prise stable de 120 volts**
- **Ne branchez pas et n'utilisez pas l'appareil sur des services d'alimentation instables**

Les surtensions et les sous-tensions peuvent endommager l'appareil et éventuellement provoquer un incendie.

RACCORDEMENT DES TUYAUX

Les tuyaux peuvent contenir du réfrigérant sous pression. Avant de débrancher le raccord à connexion rapide, vérifier la pression correspondante dans les flexibles de service (jauge).

DISPOSITIFS DE SÉCURITÉ

La machine est équipée des dispositifs de sécurité suivants:

PRESSOSTAT DE SÉCURITÉ Arrête le compresseur en cas de pression excessive.

SOUPAPE DE SÉCURITÉ: S'ouvre quand la pression à l'intérieur du système atteint un niveau de pression au-dessus des limites estimées.

INTERRUPTEUR PRINCIPAL: Connecte et déconnecte l'alimentation électrique CA de la machine. Déconnecter le cordon d'alimentation principale de la source d'alimentation électrique avant d'effectuer les opérations de service.

TOUTE ALTÉRATION DES DISPOSITIFS DE SÉCURITÉ CI-DESSUS EST INTERDITE.

RÉFRIGÉRANT ET LUBRIFIANT - ÉQUIPEMENT DE PROTECTION PERSONNELLE ET PRÉCAUTIONS

⚠ Avertissement



Risque de blessure corporelle

- **Manipuler les réfrigérants et récipients sous pression avec prudence.**
- **Porter des lunettes de sécurité, des gants et des vêtements appropriés.**
- **Éviter tout contact avec la peau.**

Le contact avec le réfrigérant peut causer des risques pour la santé, la cécité, et autres dommages physiques (gelures).



Risque d'endommagement de l'équipement et blessure corporelle

- **Devrait être manipulé par du personnel agréé.**
- **Ne pas enlever les joints d'étanchéité des soupapes de sécurité et des systèmes de contrôle.**



- **Ne pas utiliser de réservoirs extérieurs ni d'autres conteneurs de stockage qui ne sont pas approuvés.**
- **Ne pas boucher les aérations et l'équipement de ventilation.**

Une mauvaise utilisation de l'équipement peut endommager l'équipement et provoquer des blessures personnelles.

PRÉCAUTIONS POUR LA MANIPULATION ET L'UTILISATION DES FLUIDES R134a OU R1234yf

⚠ Avertissement

Risque de blessure corporelle. Risque de danger pour la manipulation des conteneurs R134a ou R1234yf pressurisés.

- Éviter d'inhaler les vapeurs hautement concentrées.
- Éviter d'utiliser le R134a ou R1234yf à proximité de flammes nues et d'éléments incandescents.
- Endosser des vêtements de protection pour s'assurer qu'aucun jet de liquide ou de gaz puisse entrer en contact avec la peau.
- Porter des lunettes afin d'éviter le contact avec les yeux.
- Éviter la dispersion du fluide réfrigérant R134a or R1234yf utilisé dans la machine dans l'atmosphère.

Une mauvaise manipulation des conteneurs R134a ou R1234yf sous pression peut entraîner une perte de conscience, des blessures ou la mort.

INTRODUCTION

Le Modèle N°. EEAC331A Snap-on® est approuvé dans les Laboratoires ETL, en conformité avec la norme SAE J2788 et J2843. Nous nous sommes engagés à résoudre les questions relatives au confinement sûr et à la gestion correcte des réfrigérants. Votre nouvelle machine intègre les dernières technologies et caractéristiques de pointe afin de vous aider pour l'entretien des systèmes de climatisation R134a et de réfrigération. Nous espérons que vous aurez autant de plaisir à utiliser cet équipement que nous en avons eu pour le concevoir et le fabriquer.

CERTIFICATION

Tous les techniciens qui ouvrent le circuit de réfrigération dans les systèmes de climatisation automobile doivent maintenant être certifiés dans les procédures de récupération et de recyclage du réfrigérant pour être en conformité avec l'article 609 des modifications de 1990 au *Clean Air Act*. Pour plus d'informations sur la certification, appeler MACS Worldwide au numéro ((215) 631-7020.

À PROPOS DE CE MANUEL

⚠ Attention



Ce manuel comprend un récapitulatif sur la sécurité, la préparation de la machine pour l'utilisation, les procédures de fonctionnement, et les instructions pour les opérations de maintenance, pour le Service Après-Vente Climatisation.



Toute personne ayant l'intention d'utiliser la machine doit se familiariser avec TOUTES les informations contenues dans ce manuel (en particulier le récapitulatif sur la sécurité) avant de l'utiliser.

Avant d'utiliser cette machine pour la première fois, effectuer toutes les préparations selon le mode d'emploi.

Si votre nouvelle machine n'est pas adéquatement préparée pour une opération de maintenance, les données de service pourraient être erronées. De manière à réaliser adéquatement un service complet de climatisation, suivre toutes les procédures dans l'ordre indiqué. Prendre le temps d'étudier ce manuel avant de faire fonctionner la machine. Ranger le manuel à portée de main pour pouvoir le consulter ultérieurement. Prêter une attention particulière au récapitulatif sur la sécurité ainsi que tous les avertissements et mises en garde fournies tout au long de ce manuel. Pour activer la garantie publiée, envoyer la carte de garantie ci-jointe.

⚠ Attention



La machine est conçue pour être utilisée uniquement à l'intérieur

À PROPOS DE VOTRE CENTRE DE SERVICE APRÈS-VENTE CLIMATISATION

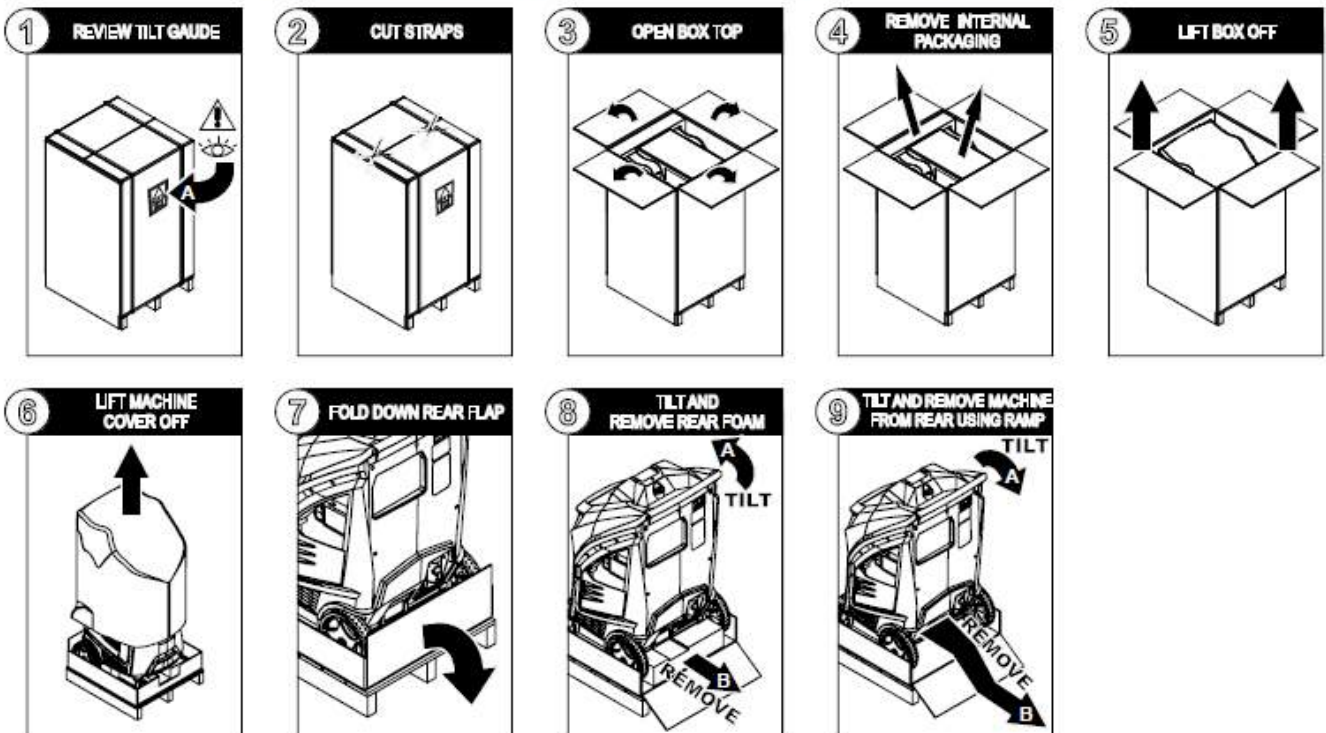
Votre appareil est doté d'une balance électronique de haute précision pour déterminer les poids de charge, etc. D'autres fonctions peuvent aussi être effectuées avec la balance électronique que vous découvrirez au cours des procédures opérationnelles. Il est possible de sélectionner les unités de mesure standard ou métriques. Cette machine est une pièce d'équipement conçue pour récupérer le R134a ou R1234yf des systèmes de climatisation (A/C) pour les véhicules, pour fonctionner dans les objectifs du Protocole de Montréal.

CONDITIONS DE GARANTIE

Voir le livret CONDITIONS DE GARANTIE fourni avec la machine.

- 1 EXAMINER LA JAUGE D'INCLINAISON ET LE JOINT DU KIT D'ACCESSOIRES
- 2 COUPER LES LANIÈRES
- 3 OUVRIR LE COUVERCLE DE LA BOÎTE
- 4 ENLEVER L'EMBALLAGE INTERNE
- 5 SOULEVER LA BOÎTE
- 6 SOULEVER LE CAPOT DE LA MACHINE
- 7 PLIER LE RABAT ARRIÈRE
- 8 INCLINER ET RETIRER LA MOUSSE ARRIÈRE
- 9 INCLINER ET RETIRER LA MACHINE PAR L'ARRIÈRE À L'AIDE DE LA RAMPE

UNPACKING INSTRUCTIONS



REMARQUE: Conservez l'emballage d'origine et réutilisez-le pour un transport ultérieur.

REMARQUE: utilisez la poignée (réf.7, Fig.9) pour déplacer la machine.

GENERAL INFORMATION

Les informations sur le modèle de la machine sont imprimées sur la plaque signalétique (voir Fig. 1). Dimensions machine hors tout :

Hauteur : 1 080 mm Largeur : 660 mm
 Profondeur : 690 mm Poids : 63 kg
 Température de fonctionnement 10/50°C Température de stockage -25/+50°C

tension (V)	Puissance(W)	Frequence (Hz)
110	1100	50/60

Comme tout équipement avec parties mobiles, la machine fait inévitablement du bruit. Le système de construction, les panneaux et les mesures spéciales adoptées par le fabricant sont en mesure de limiter le niveau de bruit moyen produit par la machine pendant le travail à 64 dB(A).

MISE EN GARDE: éviter l'utilisation d'extensions externes et vérifiez que tous les systèmes électriques et les appareils connectés sont conformes aux réglementations en vigueur et en bon état de conservation

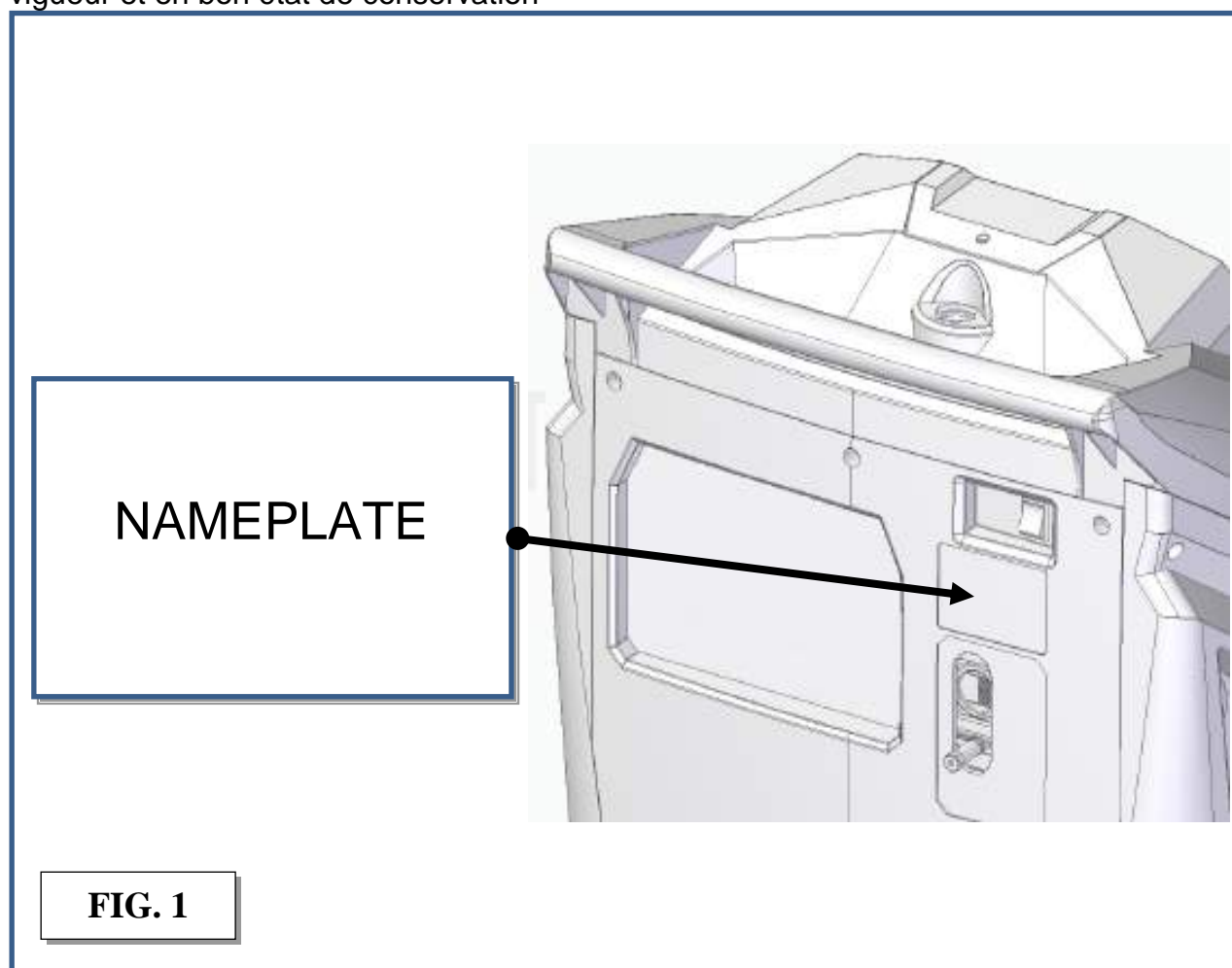


FIG. 1

PRINCIPES DE FONCTIONNEMENT

En une seule série d'opérations, la machine permet la récupération et le recyclage des liquides réfrigérants (R134a ou R1234yf selon la modèle de machine) sans risque de libérer les fluides dans l'environnement et permet aussi de purger le système A / C de l'humidité et des dépôts contenus dans l'huile.

La machine est en effet équipée d'un évaporateur / séparateur incorporé qui élimine l'huile et autres impuretés du liquide réfrigérant récupéré par le système A/C et les collecte dans un récipient prévu à cet effet.

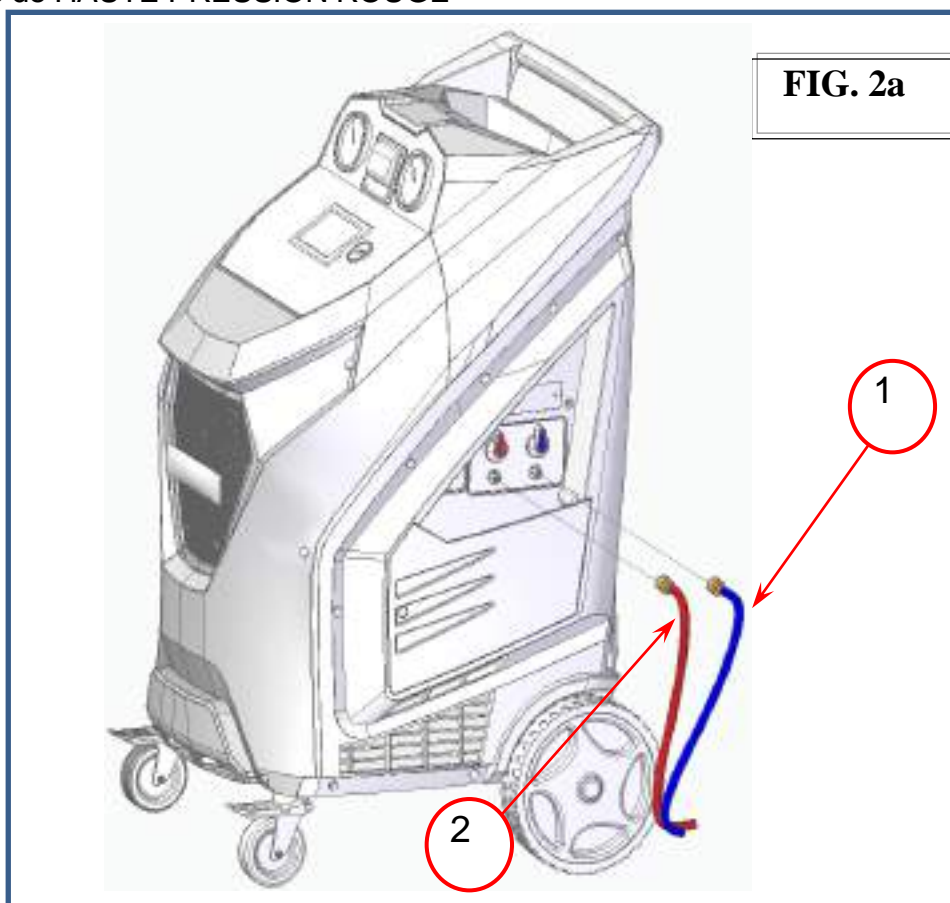
Le fluide est ensuite filtré et renvoyé parfaitement recyclé à la bonbonne installée sur la machine.

La machine permet aussi d'accomplir certains essais de fonctionnement et d'étanchéité sur le système A/C.

CONFIGURATION

MONTAGE DES TUYAUX

En se référant à la Figure 2a, monter le tuyau (réf. 1 Fig. 2a) avec le raccord à connexion rapide BLEU sur le connecteur fileté mâle indiqué par le symbole de BASSE PRESSION BLEU et le raccord à connexion rapide ROUGE (réf. 2 Fig. 2a) sur le connecteur fileté mâle indiqué par le symbole de HAUTE PRESSION ROUGE



DÉVERROUILLAGE BALANCE DU LIQUIDE RÉFRIGÉRANT

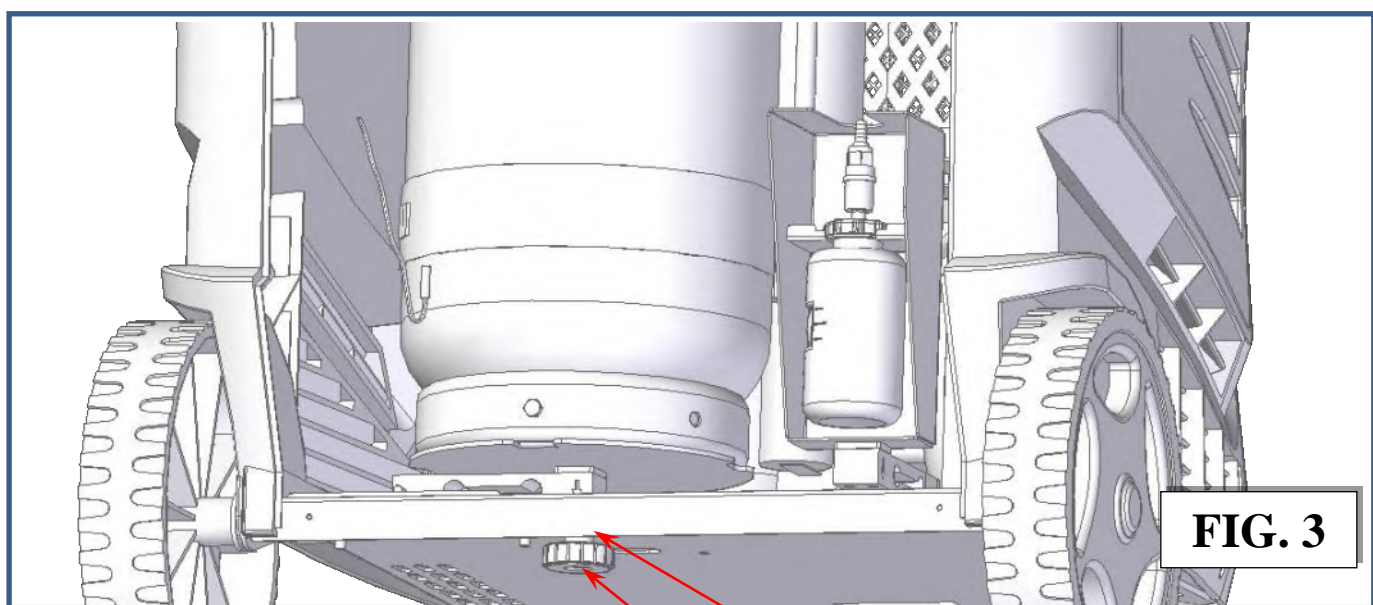
1. Afin de retirer les protections sous la balance de réfrigérant, il est nécessaire de desserrer le contre-écrou (réf. 1, Fig. 3). Le bouton (réf., Fig. 3) doit être dévissé, retiré et rangé dans un Endroit sûr.
2. Connectez la machine à l'alimentation électrique et allumez-la
3. Vérifiez si la valeur de l'échelle de réfrigérant est correcte.

VERROUILLAGE BALANCE DU LIQUIDE RÉFRIGÉRANT

REMARQUE: dans l'éventualité où le matériel doit être transporté, la balance pour bouteilles de réfrigérant doit être verrouillée comme suit:

1. Allumez la machine.
2. Serrez le bouton (réf.2, Fig.3) jusqu'à ce que l'affichage indique ZERO disponible. Serrez l'écrou (réf.1, Fig.3).

REMARQUE: Vérifiez que les réservoirs d'huile sont correctement placés dans leur logement.



1

2

LA MACHINE

COUVERCLE EN PLASTIQUE

Voir la Fig.4.

1. Couvercle en plastique avant
2. Couvercle en plastique arriere
3. Couvercle en plastique superieur

Demontage: Devisser les vis portant la marque (+)

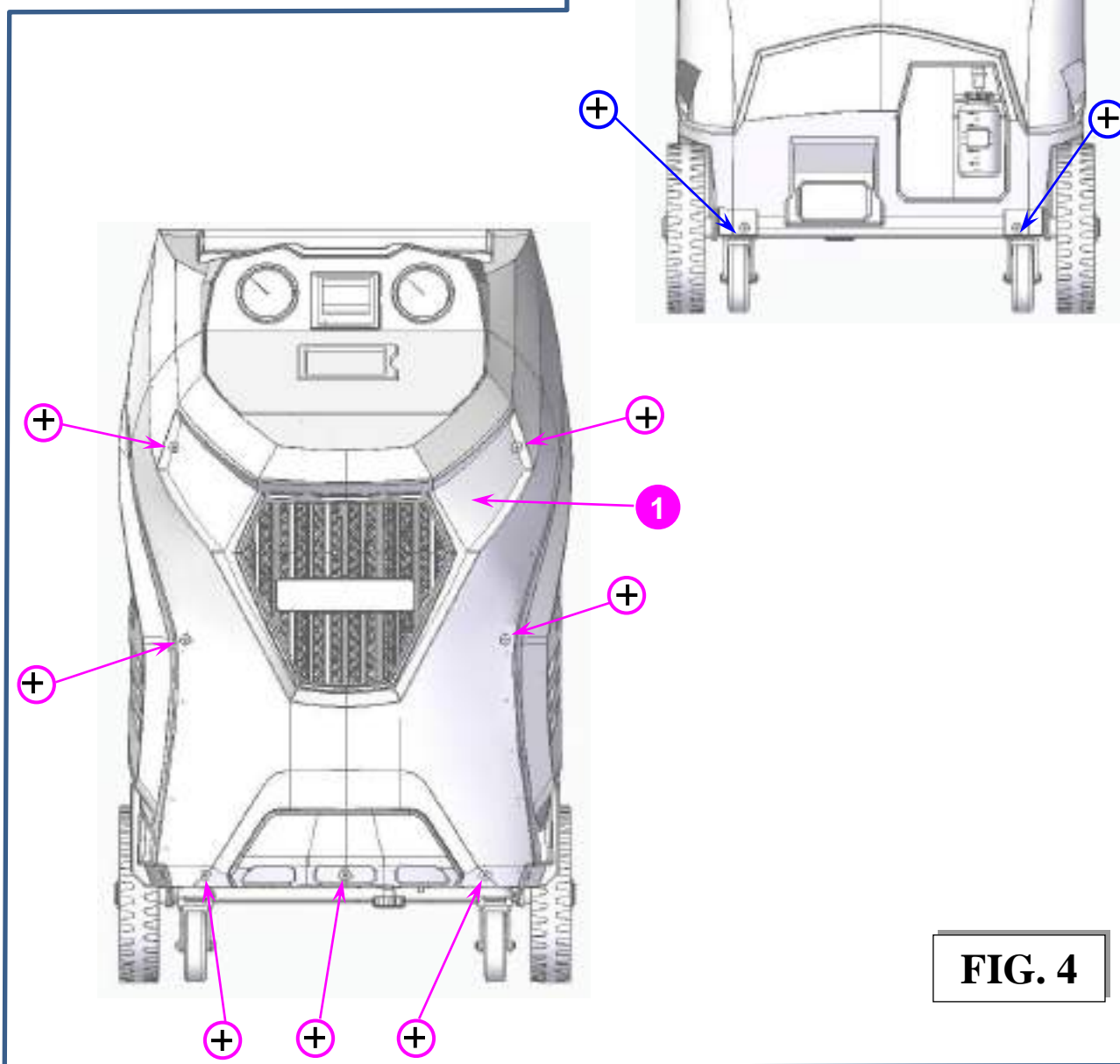
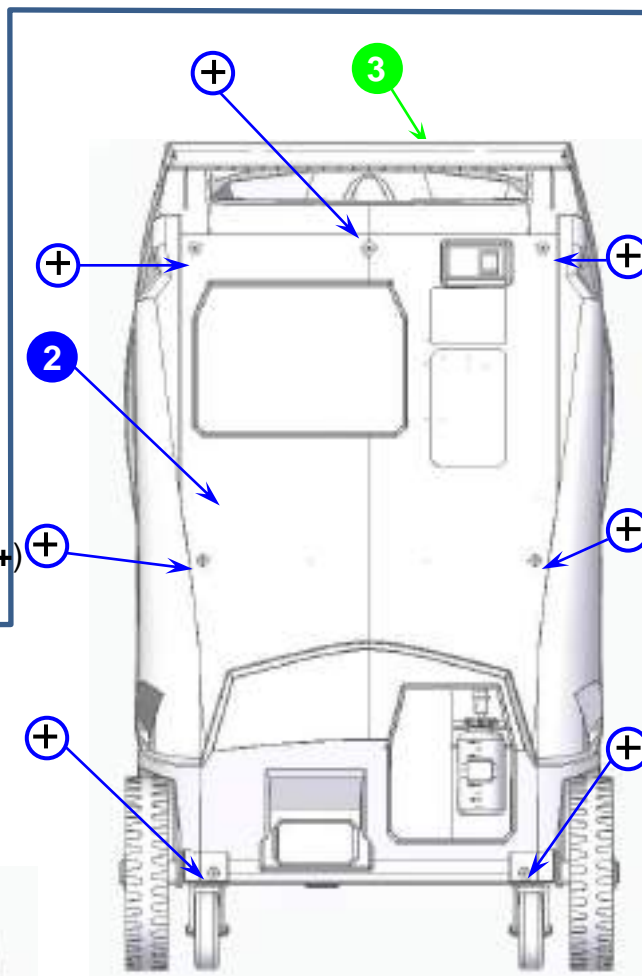
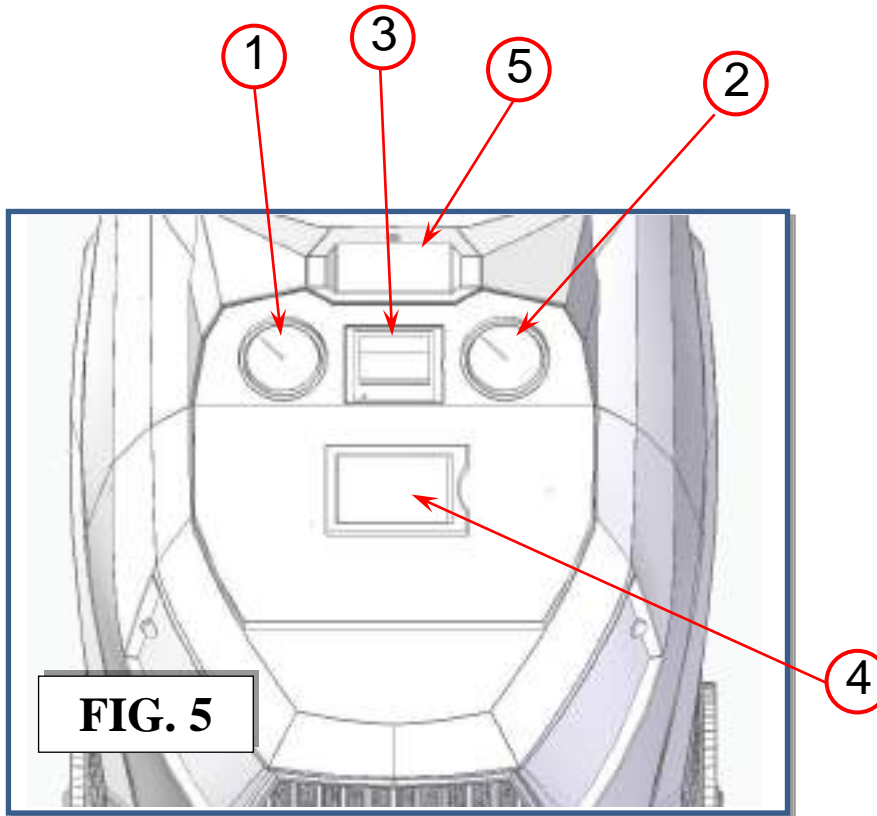


FIG. 4

PANNEAU DE CONTRÔLE

Voir la Fig. 5 :

- 1) Manomètre haute pression
- 2) Manomètre basse pression
- 3) Imprimante (en option)
- 4) Écran tactile 5"
- 5) Voyant d'état



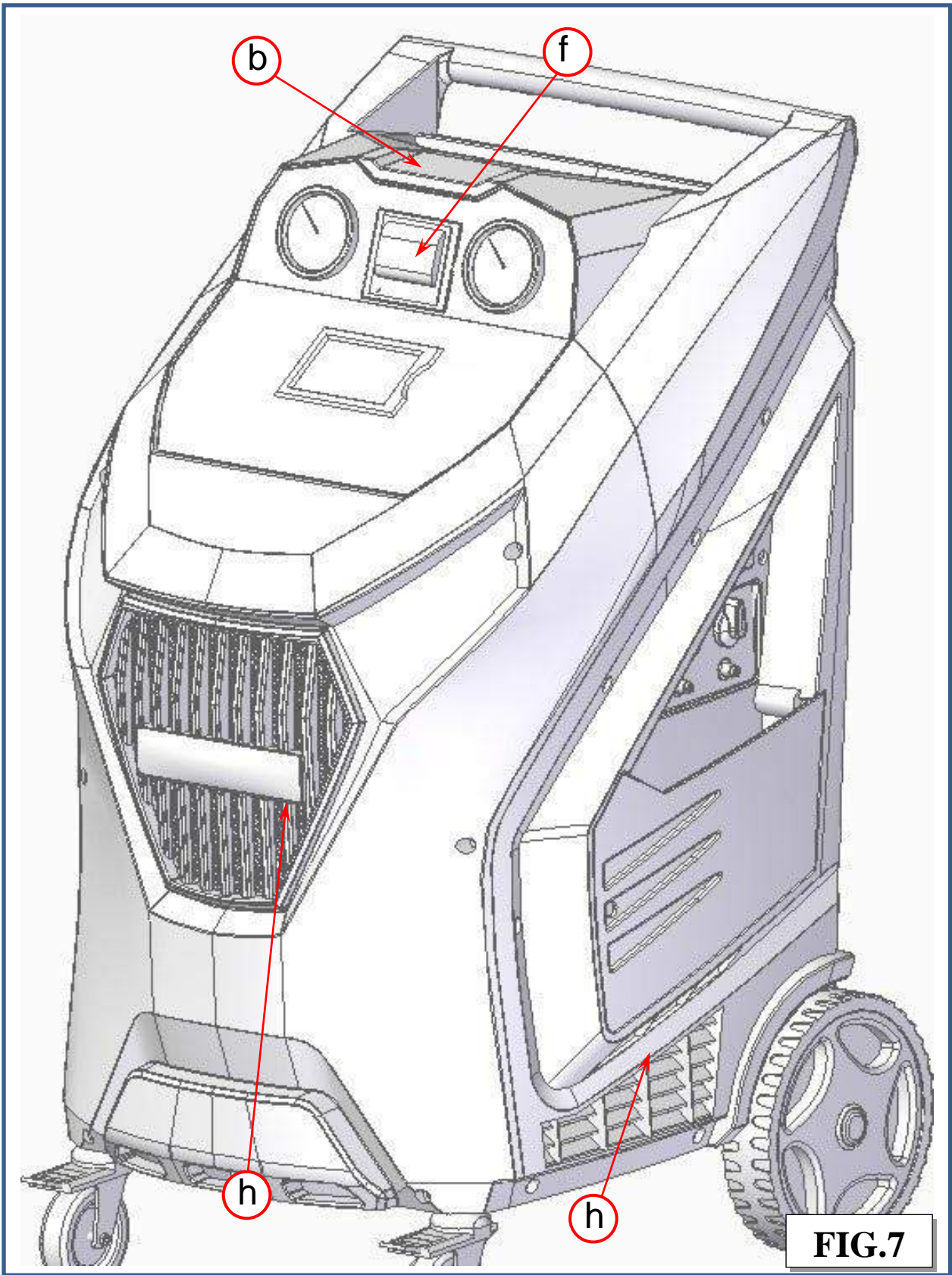
AFFICHAGE ICONES

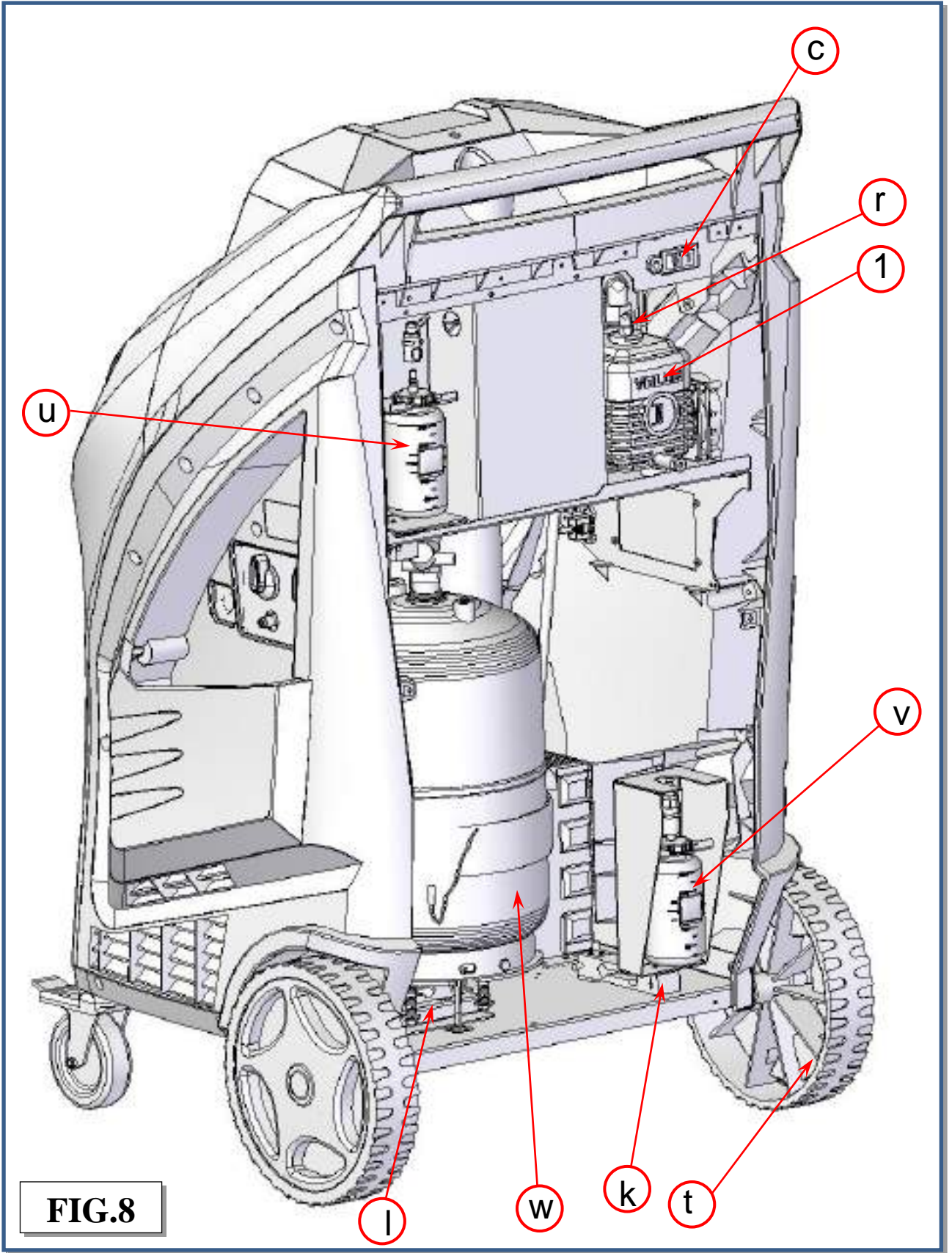
ICÔNE	DESCRIPTION	FONCTION
	PROCÉDURE AUTOMATIQUE	active un menu qui aide l'utilisateur à configurer une séquence de remplissage/essai de fuite/vide/récupération automatique.
	PROCÉDURE MANUELLE	active un menu qui aide l'utilisateur à réaliser une opération manuelle :
	RÉCUPÉRATION STANDARD	active un menu qui aide l'utilisateur à réaliser une phase de récupération/recyclage (sans conformité aux normes SAE J-2788 ou SAE J-2843)
	VIDE	active un menu qui aide l'utilisateur à réaliser une phase de vide
	INJECTION HUILE	active un menu qui aide l'utilisateur à réaliser une injection d'huile suivie d'une phase de remplissage de gaz
	CHARGE DE GAZ	active un menu qui aide l'utilisateur à réaliser une phase de CHARGE de gaz
	CONFIGURATION	active le menu SETUP de la station de service
	MAINTENANCE	active le menu de maintenance de la station de service
	INFO	active un menu contenant toutes les informations sur la station de service
	PROCHAIN	Symbole prochain
	RETOUR	Symbole RETOUR
	ARRÊT	Symbole ARRÊT
	IMPRIMEUR	Symbole IMPRIMEUR
	FLÈCHE	Symbole flèche

COMPOSANTS BASIQUES

Voir les Fig.7, Fig.8, Fig.9, Fig.10, Fig.11, Fig.12, Fig.13:

- a) Port USB
- b) Voyant d'état
- c) Interrupteur principal
- d) Analyseur de gaz (ECO NEXT ONE HFO uniquement)---
- e) CONNEXION HYBRIDE HP (ECO NEXT ONE HYBRID et HFO uniquement)
- f) Imprimante
- g) CONNEXION HYBRIDE LP (ECO NEXT ONE HYBRID et HFO uniquement)
- h) Grille de ventilation
- i) RACCORDEMENT DE PURGE CONTAMINÉ (HFO uniquement)
- j) Cartouche d'huile
- k) Balance d'huile
- l) Balance de réservoir
- m) Condensateur + Ventilateur
- n) Roue avant pivotante
- o) Collecteur
- p) Panneau de contrôle basculant
- q) ---
- r) Bouchon de remplissage pompe à huile
- s) Bouton de verrouillage du réservoir de réfrigérant
- t) Roue arrière
- u) Récipient d'huile neuve
- v) Récipient d'huile usée
- w) réservoir de réfrigérant
- x) ---
- y) ---
- z) Filtre du séchoir
- 1) Pompe à vide
- 2) Compresseur
- 3) Valve manuelle BP
- 4) Valve manuelle HP
- 5) Connexion rapide BP
- 6) Connexion rapide HP
- 7) Poignée
- 8) ----
- 9) Carte mère





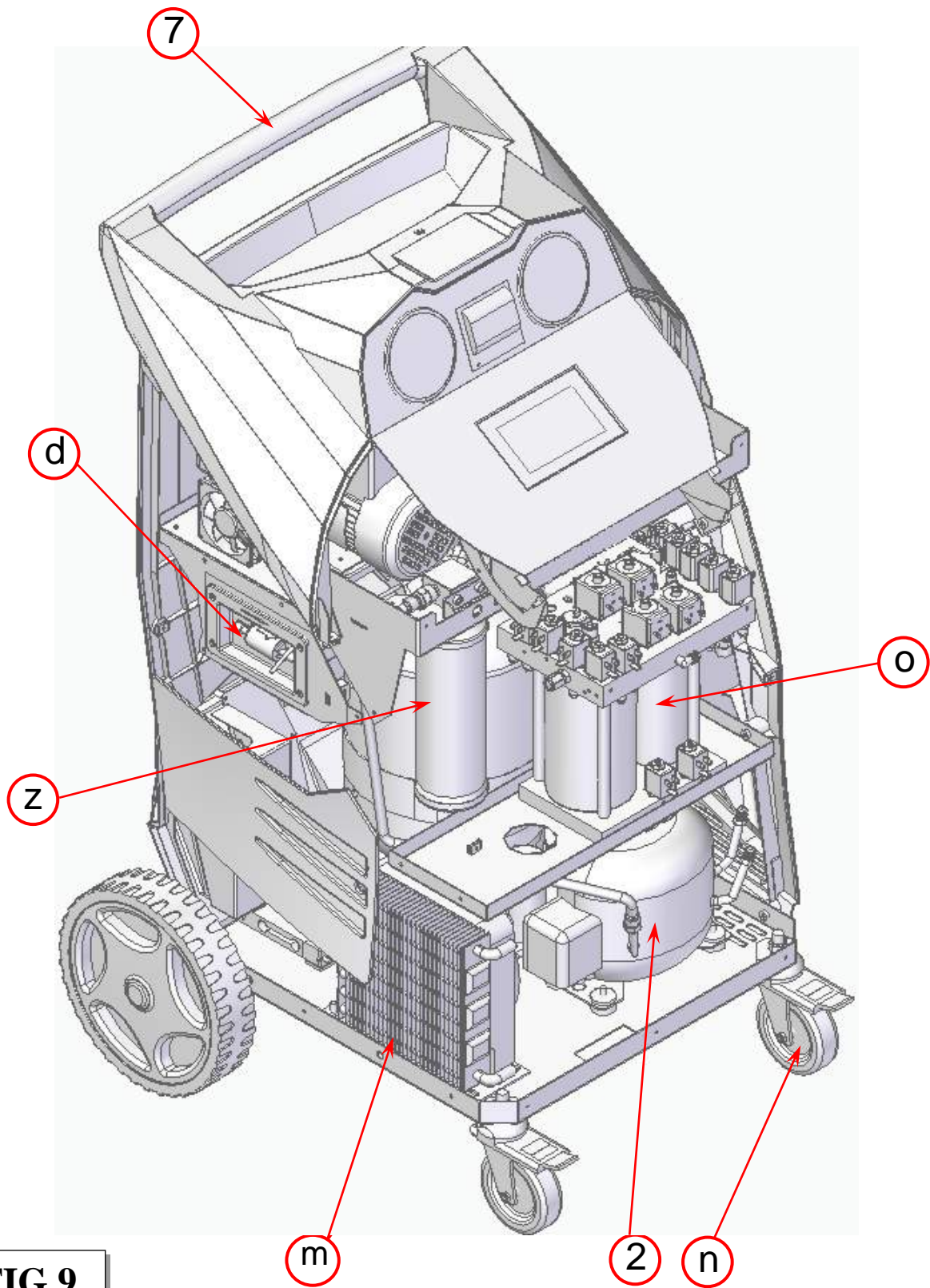
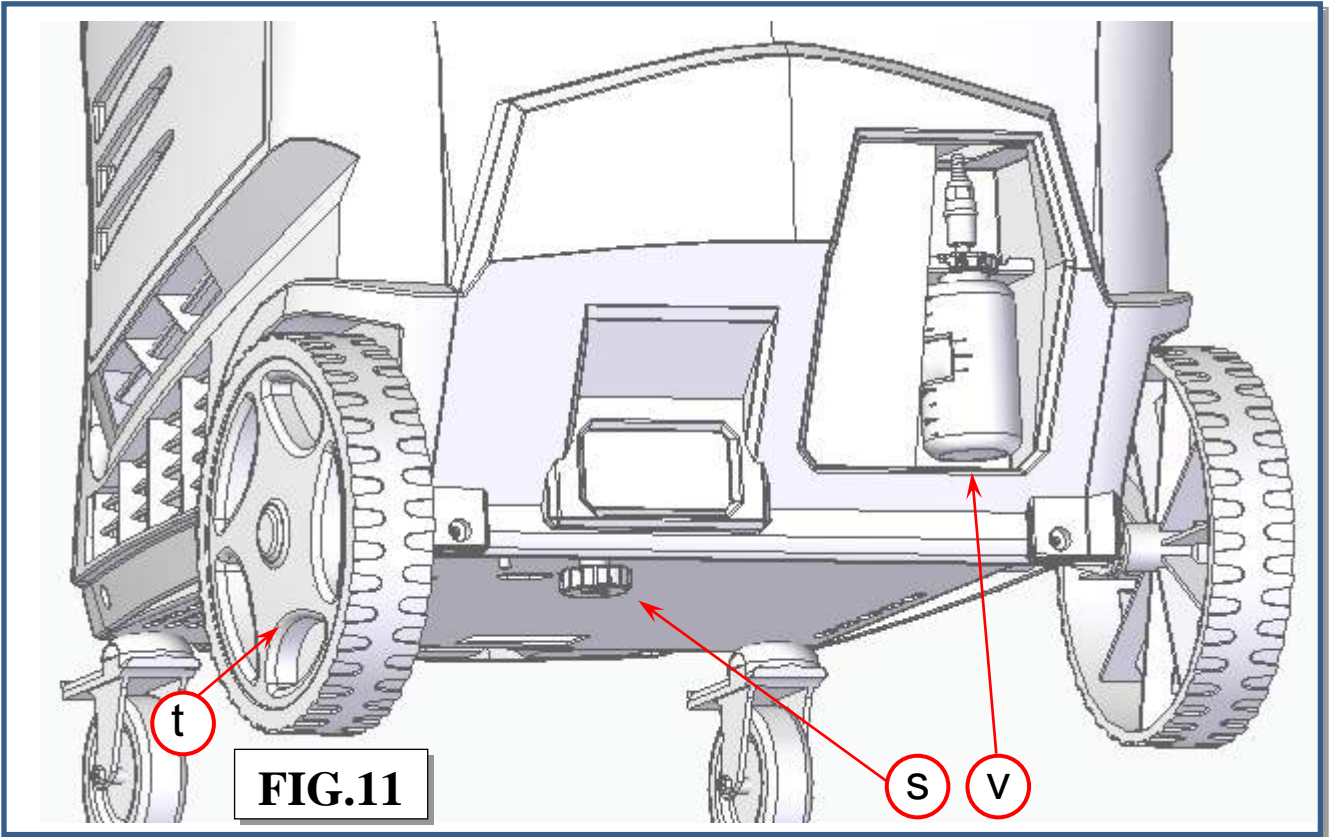
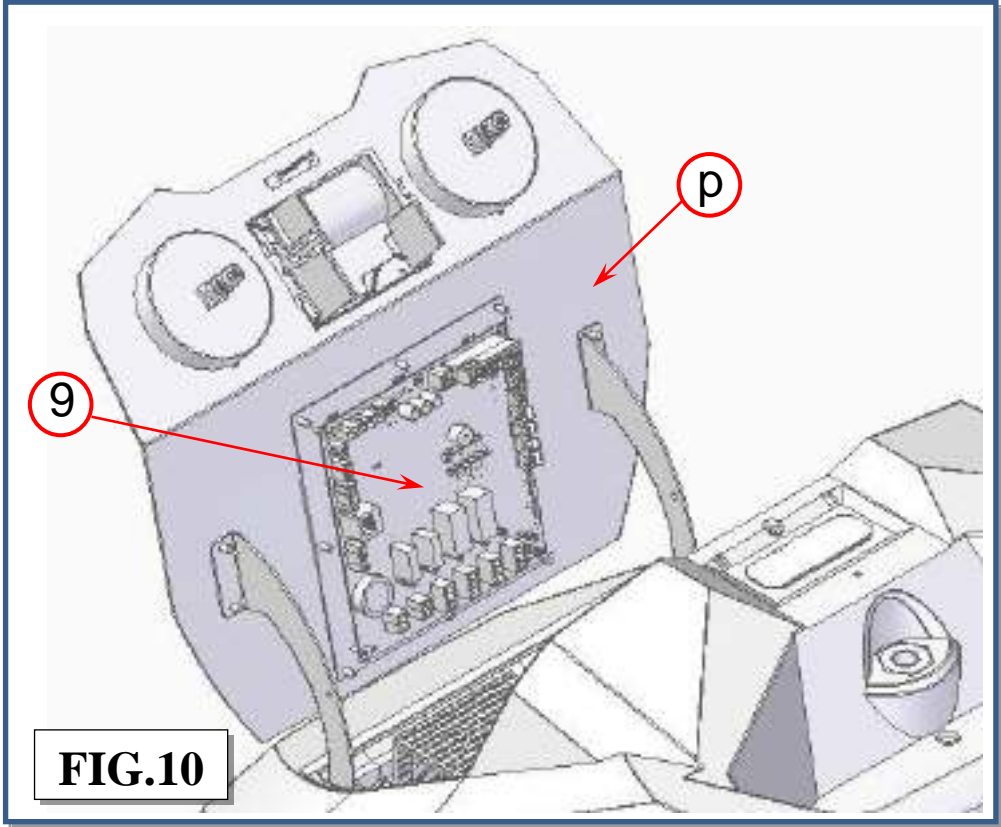


FIG.9



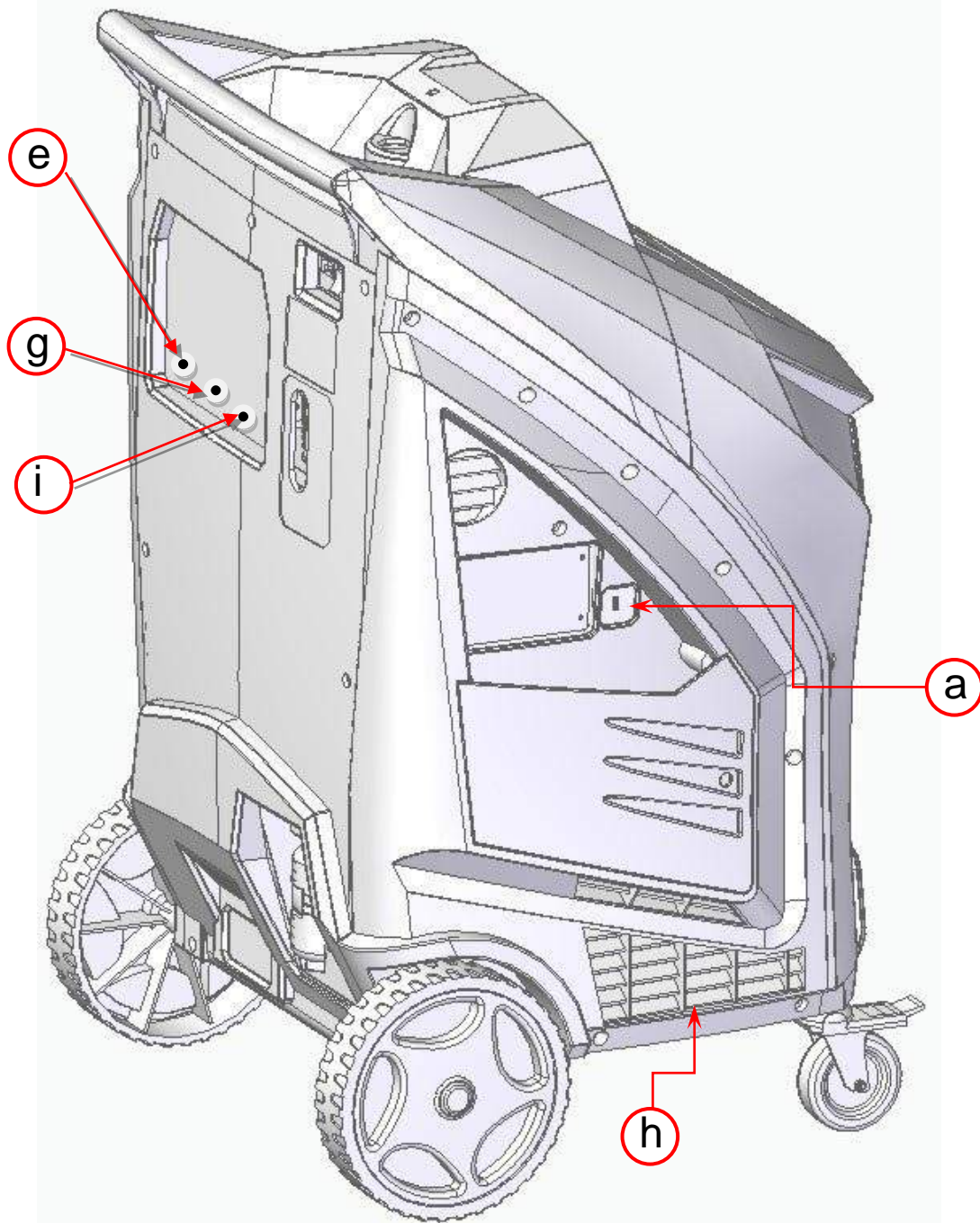


FIG.12

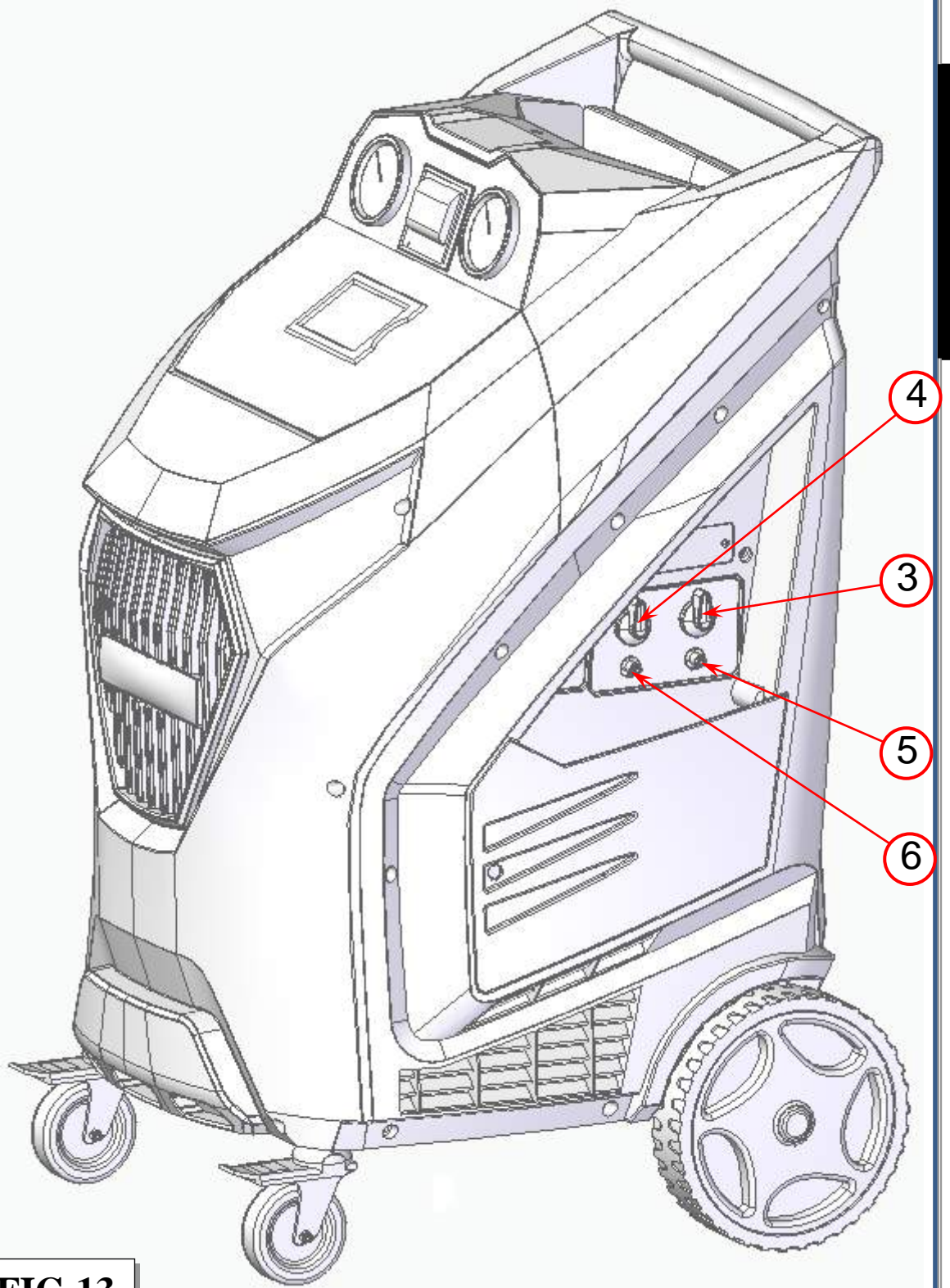


FIG.13

SIGNAUX LUMINEUX

La machine est dotée d'un Voyant d'ÉTAT (réf 6, Fig. 4).

Les signaux lumineux sont les suivants :

- VERT (STABLE) : Unité prête
- VERT (CLIGNOTANT) : Action terminée
- JAUNE : Unité en cours de travail
- ROUGE : Besoin d'attention ou présence d'un problème

ALARMES

ALARME HAUTE PRESSION : Un signal sonore indique que la pression du liquide dans le circuit est trop élevé (20 bars). L'opération de récupération est automatiquement interrompue.

RÉSERVOIR PLEIN : Un signal sonore prévient lorsque le réservoir est rempli à plus de 80 % de sa capacité maximale

(10 kg pour un réservoir de 12 litres). L'opération de RÉCUPÉRATION est automatiquement interrompue (pour éliminer cette alarme, charger un ou plusieurs systèmes A/C avant de récupérer encore plus de réfrigérant).

RÉSERVOIR VIDE : Un signal sonore avise quand la quantité du liquide réfrigérant contenu dans le réservoir est basse (moins de 2 kg).

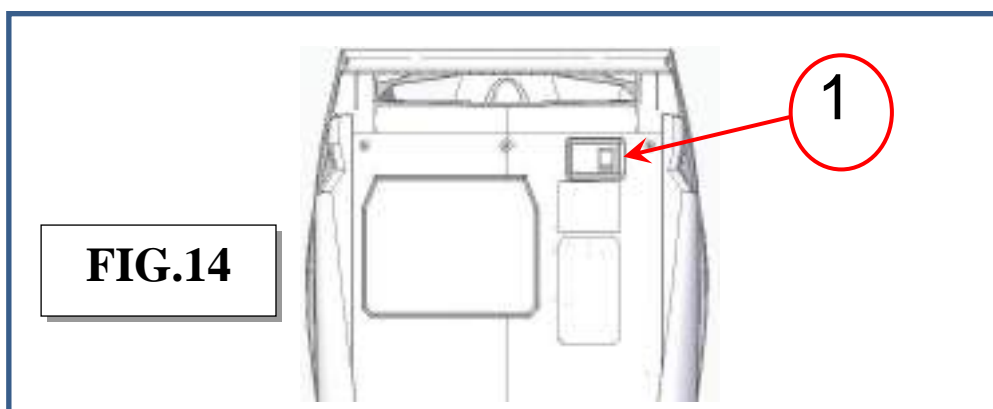
ALARME SERVICE : L'avertisseur sonore signale que la quantité totale de réfrigérant s'élève à 70 kg pour R134a ou 140 kg pour R1234yf. Pour désactiver l'alarme, remplacer les filtres et l'huile de la pompe à vide. Un code pour éliminer l'alarme est fourni avec les filtres de rechange.

CODES D'ERREUR

- Perdite dans le système
- Présence de réfrigérant dans le système de climatisation
- Aspirateur insuffisant
- Conteneur de tracer vide
- Conteneur d'huile vide
- Disponibilité faible gaz
- Pertes sous vide (rinçage du système de climatisation)
- Perte de pression (rinçage du système de climatisation)
- Système vide
- Erreur de communication
- Bas niveau d'huile
- Vérifier les connexions
- Vide cylindre externe
- Alarme haute pression

OPÉRATIONS PRÉLIMINAIRES

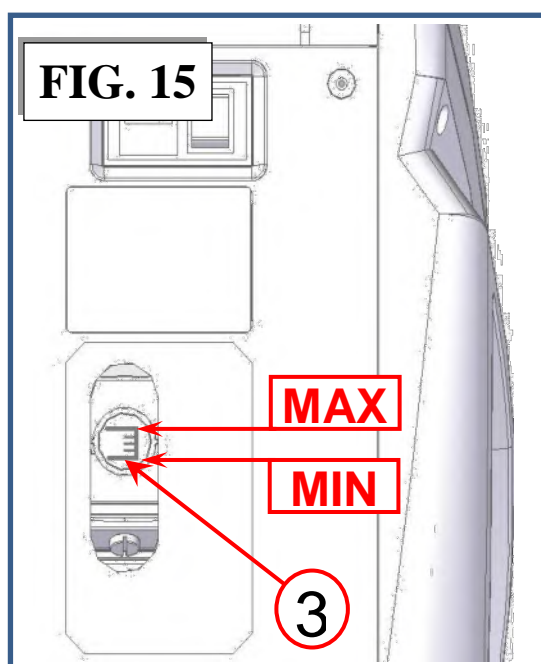
Vérifier si l'interrupteur principal (réf. 1, Fig. 14) se trouve sur O. Brancher la machine sur l'alimentation électrique et l'allumer.



1 L'utilisateur peut vérifier toutes les données de la machine :

- Vérifier si les récipients d'HUILE sont vides, remplacer au besoin de la façon décrite dans le chapitre ENTRETIEN ORDINAIRE.
- Vérifier si le niveau d'huile du récipient d'huile usée est < 200 cc, au besoin vider de la façon décrite dans le chapitre ENTRETIEN ORDINAIRE.
- Contrôler sur l'écran de la machine qu'il y a plus ou moins 2 kg de réfrigérant dans le réservoir. Si ce n'était pas le cas, remplir avec du liquide réfrigérant approprié le réservoir sur la machine à partir d'un réservoir extérieur en suivant la procédure décrite à la section REMPLISSAGE DU RÉSERVOIR (ENTRETIEN ORDINAIRE).

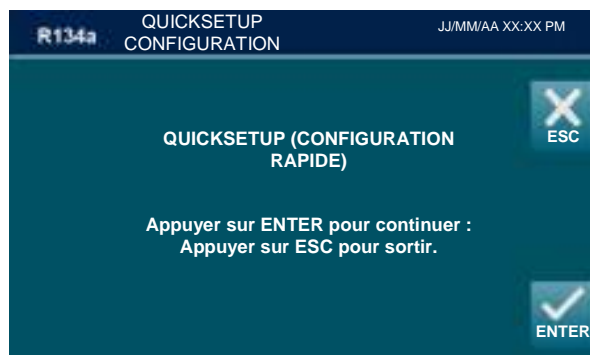
Vérifier si l'indicateur du niveau d'huile de la pompe à vide (réf. 3, Fig. 15) indique au moins plein à moitié. Si le niveau est plus bas, ajouter de l'huile de la façon illustrée dans le chapitre ENTRETIEN.



QUICKSETUP (CONFIGURATION RAPIDE)

REMARQUE: QUICKSETUP s'affiche après l'activation de la machine

La première fois que la machine est utilisée, une configuration rapide s'affiche : l'opérateur est guidé à travers les étapes décrites au début de la section OPÉRATIONS PRÉLIMINAIRES. La configuration rapide peut aussi être trouvée dans le MENU SETUP, sélectionner QUICKSETUP. L'écran suivant s'affiche :



Appuyer sur ENTER pour procéder au QUICKSETUP, l'utilisateur sera guidé à travers les étapes suivantes :

- Langue
- Unités de mesure
- Enregistrement de la plaque d'immatriculation
- Date et heure
- Configuration de l'impression d'en-tête
- Réglages du vide
- Test de recherche des fuites
- Remplissage du réservoir

Suivre les instructions affichées. À la fin de la procédure, appuyer sur ENTER pour imprimer un rapport récapitulatif de la procédure guidée. Appuyer sur ESC pour sortir.

REMARQUE : Si la procédure guidée n'est pas terminée, elle s'affichera à nouveau la prochaine fois que la machine sera mise en marche.

REMARQUE : Pour afficher à n'importe quel moment le QUICKSETUP, sélectionner à partir du menu du même nom sous SETUP.

PROCÉDURE AUTOMATIQUE

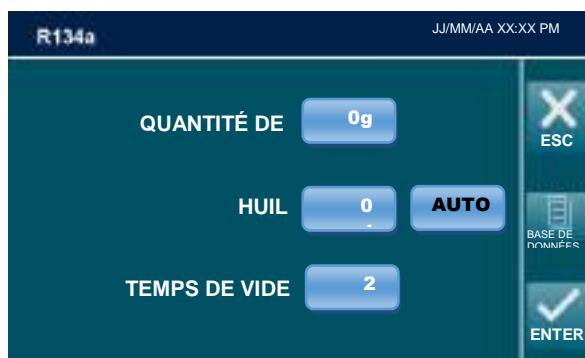
En mode automatique, toutes les opérations sont réalisées automatiquement : récupération et recyclage, décharge huile, vide, réintégration huile neuve et charge. Les valeurs pour la quantité de gaz récupéré, la quantité d'huile récupérée, le temps vide, la quantité d'huile récupérée et la quantité de gaz chargé dans le système sont affichées et imprimées (en option) à la fin de chaque opération.

Brancher les tuyaux au système A/C à l'aide des raccords à connexion rapide en se souvenant que le BLEU doit être connecté côté basse pression et le ROUGE côté haute pression. Si le système A/C est équipé d'un seul raccord à connexion rapide pour la haute et basse pression, ne brancher que le tuyau correspondant.

À partir du MENU PRINCIPAL :



Sélectionner la PROCÉDURE AUTOMATIQUE , l'écran suivant s'affiche :



MODIFIER LES DONNÉES DE VIDE:

Utilisez le CLAVIER pour entrer la nouvelle valeur EMPTY TIME, appuyez sur ENTER pour confirmer, sur ESC pour revenir en arrière.

REMARQUE: utilisez EMPTY PARAMETERS pour modifier la durée du CONTRÔLE DE PERTE.

MODIFIER LES DONNÉES DE L'HUILE (ECO NEXT ONE uniquement)

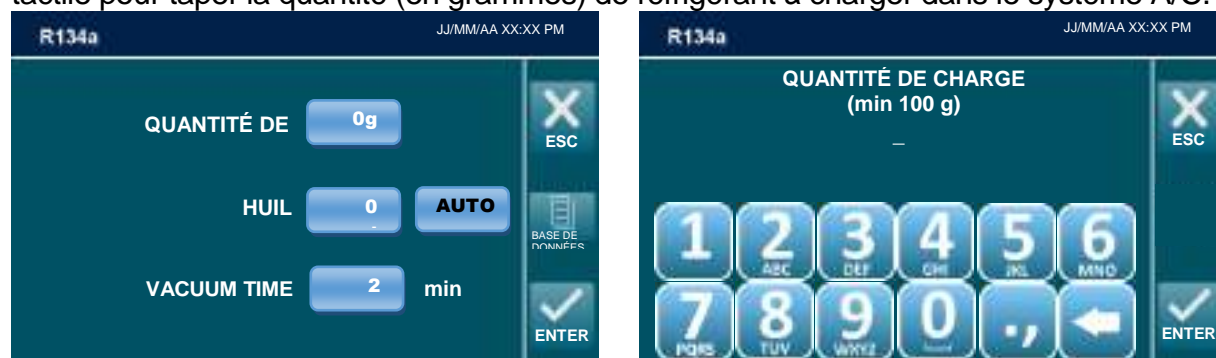
Sélectionner la zone d'affichage HUILE, puis utiliser les touches 0 à 9 pour saisir le volume d'huile à injecter ou sélectionner AUTO pour réintégrer la même quantité d'huile extraite pendant la récupération.



MODIFIER LES DONNÉES DE REMPLISSAGE DU GAZ :

REMARQUE : Pour la plupart des systèmes, la quantité de liquide à remplir est indiquée sur une plaque qui est située sur le compartiment moteur du véhicule. Si cette quantité n'est pas connue, la chercher dans les manuels correspondants.

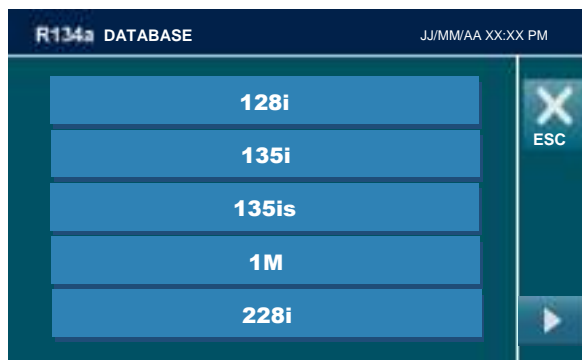
Sélectionner la QUANTITÉ DE CHARGE , puis utiliser les touches 0 à 9 sur l'écran tactile pour taper la quantité (en grammes) de réfrigérant à charger dans le système A/C.



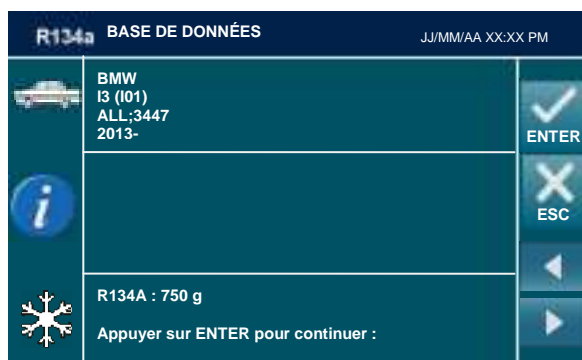
Ou, si elle est installée, appuyer sur la touche BASE DE DONNÉES, l'écran suivant s'affiche :
Sélectionner la typologie de véhicule



Sélectionner la marque du véhicule en cours de service (avec les touches directionnelles changer de page au besoin), l'écran suivant s'affiche (par ex. pour BMW) :

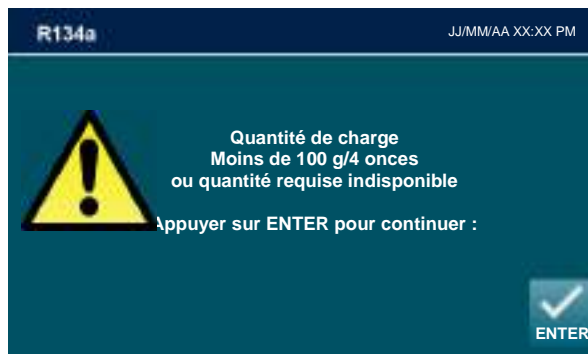


Sélectionner le modèle de véhicule en cours de service. (*Pour installer la BASE DE DONNÉES, s'adresser au vendeur de la machine.*), toutes les informations sur ce modèle s'affichent :



Appuyer sur ENTER pour confirmer et saisir la valeur dans le champ REMPLISSAGE GAZ.

REMARQUE : si le remplissage de gaz est inférieur à 100 grammes, la fenêtre pop-up d'avertissement suivante s'affichera :




Le remplissage avec moins de 100 grammes de gaz n'est pas autorisé, appuyer sur OK et taper une quantité plus importante pour le remplissage de gaz.

PROCÉDURE DE DÉMARRAGE AUTOMATIQUE:

Après avoir sélectionné toutes les données de la procédure, appuyer sur ENTER pour continuer.

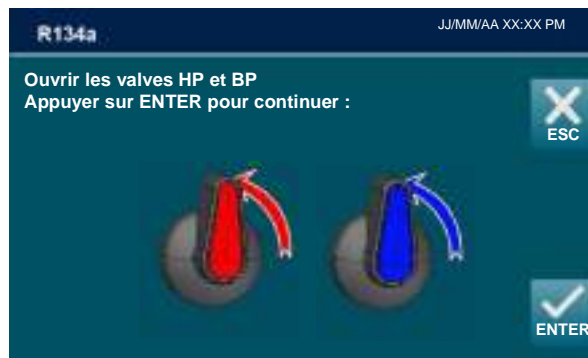
REMARQUE: si ECO NEXT ONE HFO ou avec l'analyseur activé, l'analyse de gaz sera effectuée avant la récupération.

REMARQUE: le bouton STOP  interrompt littéralement la procédure en cours. À partir de la pause, il est possible de quitter le menu principal à partir de toutes les procédures, à l'exception de la récupération et de la charge. En effet, si vous ne terminez pas une procédure de récupération, il est possible que du réfrigérant reste dans le circuit interne et cela peut compromettre la procédure suivante. Dans la phase finale de la charge, la procédure ne doit pas être interrompue ou arrêtée pour éviter de compromettre la précision de la procédure.

La PROCÉDURE AUTOMATIQUE démarrera et l'écran suivant s'affichera :



Connecter et ouvrir le raccord connecté au système A/C, puis appuyer sur ENTER et sur ESC pour revenir en arrière.

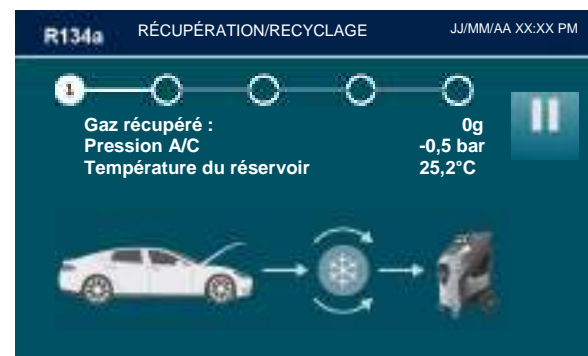


Ouvrir les valves HP et BP puis appuyer sur ENTER pour continuer

L'écran suivant s'affichera pour rappeler de vérifier si le récipient d'huile usée n'est pas plein.

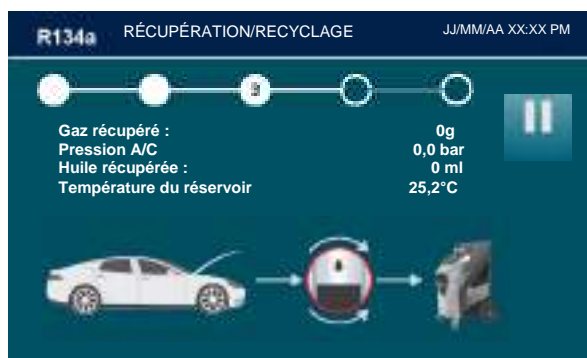


Appuyer sur ENTER



Pendant la phase de récupération la machine affiche la quantité de réfrigérant récupérée, en grammes. Quand la récupération est terminée, la machine s'arrêtera et déchargera et affichera automatiquement l'huile usée extraite du système A/C pendant la phase de récupération.

L'opération de décharge de l'huile dure 4 minutes.



La machine vérifie s'il y a ou non de l'air dans le réservoir et, au besoin, purge les gaz non-condensables; la machine évacue automatiquement tous les gaz non-condensables.

Permettre à la machine d'effectuer la procédure complète permettra de réduire le risque de reflux, ce qui peut provoquer des gaz non-condensables excessifs à recharger dans le système A/C. Si du réfrigérant resté dans le système A/C augmente la pression pendant cette phase, la machine commence automatiquement à récupérer le réfrigérant.

La phase de récupération terminée, la machine se met automatiquement en phase de vide pour le temps préétabli :



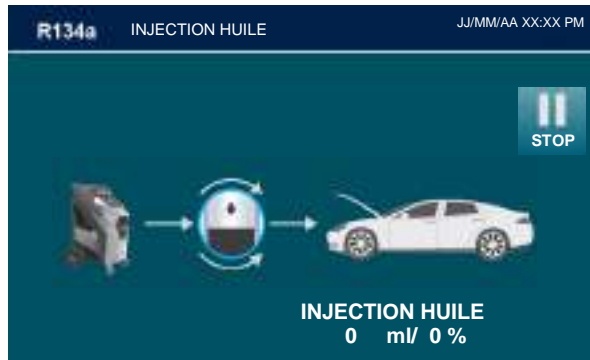
À la fin de cette phase, la machine testera les fuites dans le système A/C :



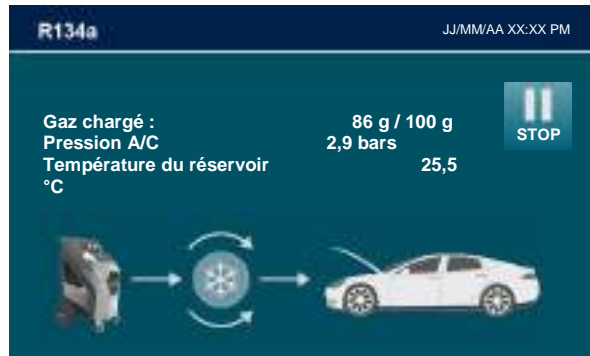
(AVERTISSEMENT ! Si le temps de vide est inférieur à 15 minutes, ce test n'est pas fiable). Si des fuites sont relevées, la machine s'arrêtera automatiquement et affichera l'alarme FUITES SYSTÈME A/C.

La détection de micro-fuites n'est pas garantie.

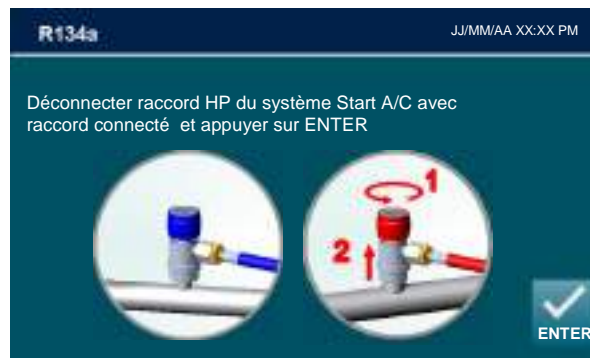
Quand la phase de vide est terminée, la nouvelle huile sera automatiquement réintégrée : le volume sera égal à celui de l'huile usée déchargée ou au volume défini par l'opérateur.



Quand cette phase est terminée, le système ira se charger avec la quantité de réfrigérant préétablie.

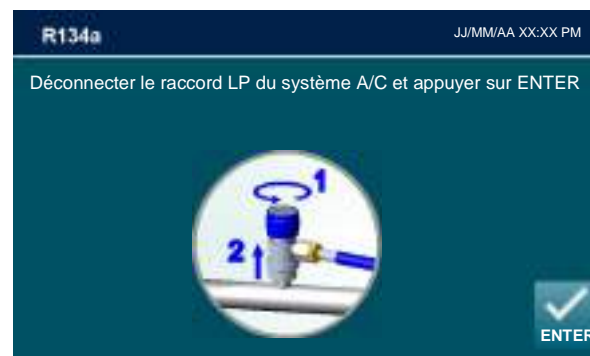


L'écran suivant sera ensuite affiché:

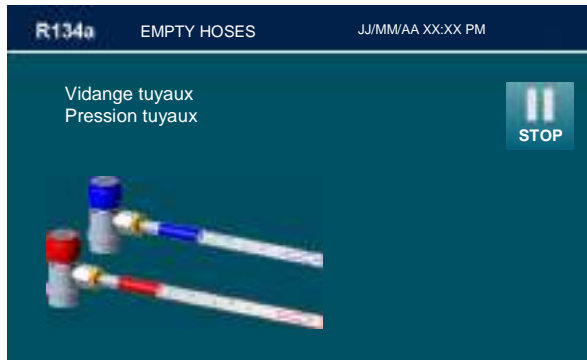


Déconnecter le raccord HP, Démarrer le système A/C avec le raccord connecté puis appuyer sur ENTER.

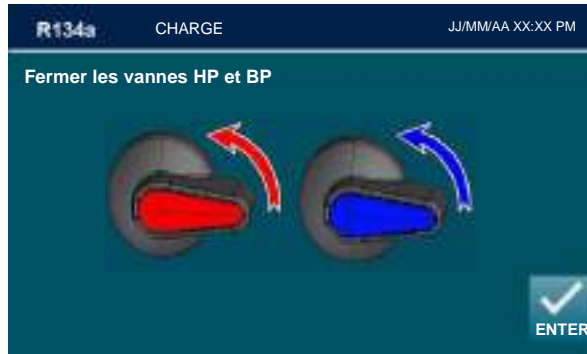
Le système A/C récupérera le liquide réfrigérant dans les tuyaux de service et puis l'écran suivant s'affichera:



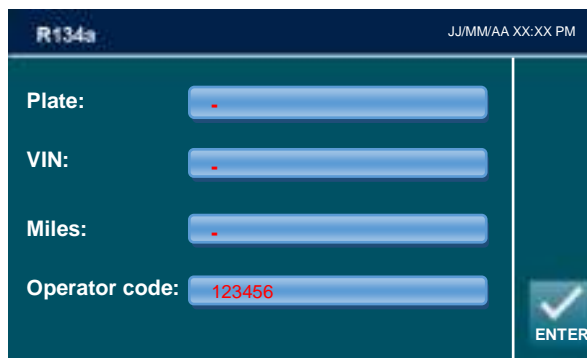
Déconnecter le raccord LP du système A/C puis appuyer sur ENTER pour continuer:



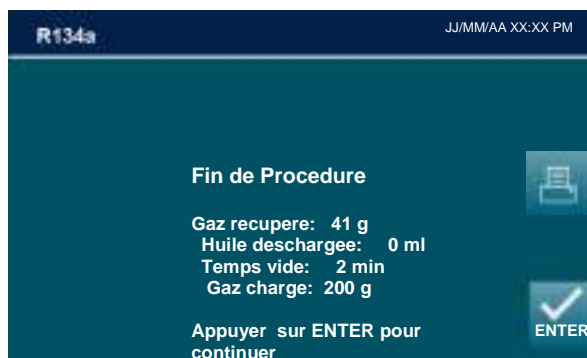
La machine récupérera le liquide réfrigérant dans les tuyaux de service et l'écran suivant s'affichera:



Fermez les vannes HP et LP et appuyez sur ENTER



ous êtes invité à entrer dans l'assiette du véhicule, numéro de châssis, le KM / Miles et le code opérateur. Appuyez sur Entrée.



A summary of the amount of gas recovered, oil recovered, minutes of the vacuum phase and the amount of gas charged is displayed.

Appuyez sur le symbole  pour imprimer

Procédure automatique terminée, appuyez sur ENTER pour revenir à la page principale.
REMARQUE: La procédure automatique peut être effectuée si le système A/C est vide. Dans ce cas, la machine commencera par la phase de vide

REMARQUE: vers la fin de la charge, le message d'alarme suivant peut s'afficher:



L'alarme SLOW CHARGE se produit lorsque la pression du réservoir et la pression du système s'équilibrent (en raison d'une basse pression, de températures excessives du système, etc.). Vérifiez les connexions, puis appuyez sur ENTER pour continuer ou sur ESC pour quitter.

PROCÉDURE MANUELLE

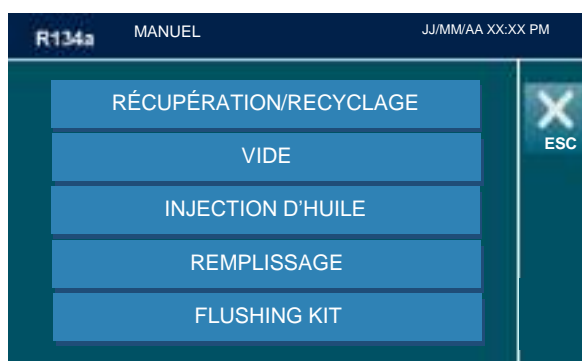
Toutes les opérations de la PROCÉDURE MANUELLE sont accomplies séparément à l'exception de la phase de récupération/recyclage, qui est automatiquement suivie par la vidange de l'huile usée.

Les valeurs pour la quantité de gaz récupéré, la quantité d'huile récupérée, le temps vide, la quantité d'huile récupérée et la quantité de gaz chargé dans le système sont automatiquement imprimées à la fin de chaque opération.

À partir du MENU PRINCIPAL :




Sélectionner la PROCÉDURE MANUELLE , l'écran suivant s'affichera :



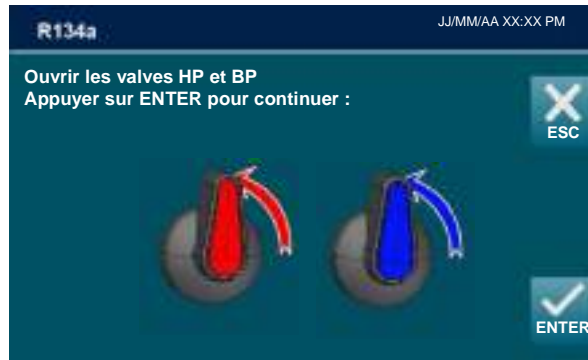
RÉCUPÉRATION

Brancher les tuyaux au système A/C à l'aide des raccords à connexion rapide en se souvenant que le BLEU doit être connecté côté basse pression et le ROUGE côté haute pression.

Si le système A/C est équipé d'un seul raccord à connexion rapide pour la haute et basse pression, ne brancher que le tuyau correspondant.

REMARQUE: le bouton STOP  interrompt littéralement la procédure en cours. À partir de la pause, il est possible de quitter le menu principal à partir de toutes les procédures, à l'exception de la récupération et de la charge. En effet, en ne terminant pas une procédure de récupération, il est possible que du réfrigérant reste dans le circuit interne et cela peut compromettre la procédure suivante.

À partir de la PROCÉDURE MANUELLE, RÉCUPÉRATION/RECYCLAGE, l'écran suivant s'affichera :

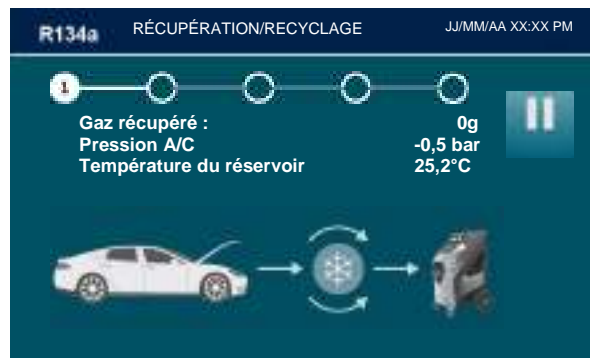


Ouvrir les valves HP et BP puis appuyer sur ENTER pour continuer

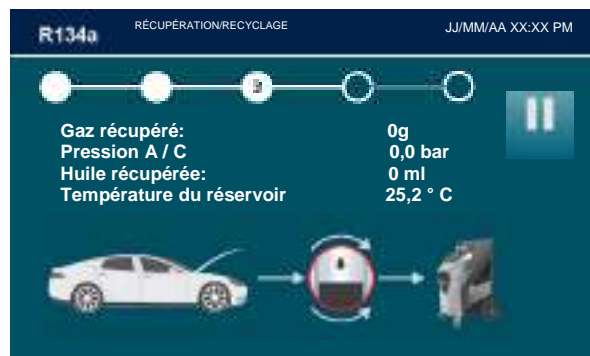
L'écran suivant s'affichera pour rappeler de vérifier si le récipient d'huile usée n'est pas plein.



La PROCÉDURE DE RÉCUPÉRATION démarre et l'écran suivant s'affiche:

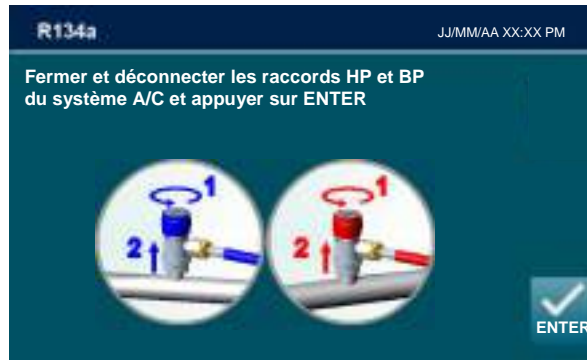


Pendant la phase de récupération, la machine affiche la quantité de fluide frigorigène récupérée, en grammes.

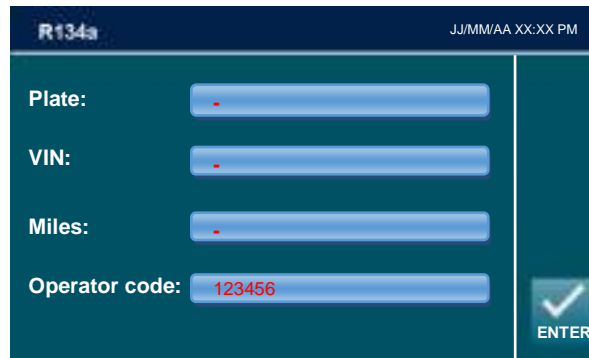


Quand la récupération est terminée, la machine s'arrêtera et déchargera et affichera automatiquement l'huile usée extraite du système A/C pendant la phase de récupération.

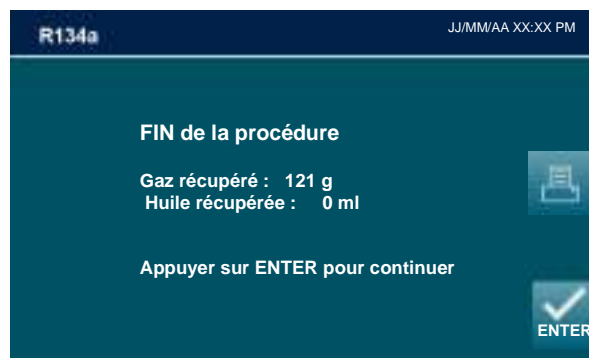
L'opération de décharge de l'huile dure 4 minutes.



Dévisser et déconnecter les raccords HP et BP du système A/C puis appuyer sur ENTER.



On vous demande d'entrer la PLAQUE du véhicule, le NUMÉRO DE CHÂSSIS, le nombre de KM/Miles et le Code de l'opérateur. Appuyer sur ENTER.



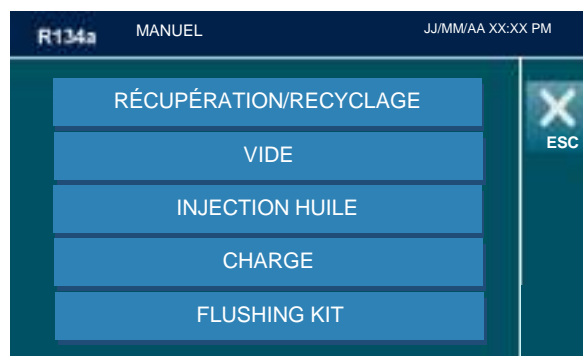
Un résumé de la quantité de gaz récupéré et d'huile récupérée s'affiche.

Appuyer sur le symbole  pour imprimer (en option)

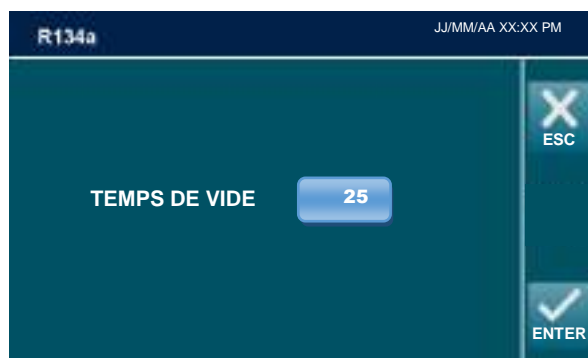
La procédure manuelle de récupération s'est terminée avec succès, appuyer sur ENTER pour revenir à la page de fonctionnement manuel.


VIDE

À partir de PROCÉDURE MANUELLE, sélectionner VIDE.



L'écran suivant sera affiché :



Utiliser le CLAVIER pour saisir la nouvelle valeur de TEMPS VIDE , appuyer sur ENTER pour confirmer et sur ESC pour revenir en arrière.



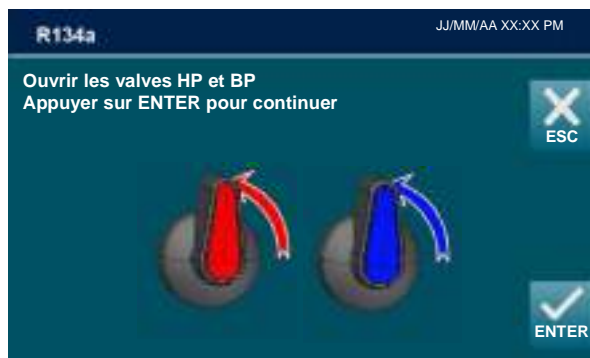
REMARQUE : Si le TEMPS DE VIDE sélectionné est inférieur à 15 minutes, la fenêtre pop-up d'avertissement suivante s'affichera :



Appuyer sur OUI pour continuer ou appuyer sur NON pour revenir en arrière.



Connecter et ouvrir les raccords connectés sur le système A/C puis appuyer sur ENTER pour démarrer la phase de vide, appuyer sur ESC pour revenir en arrière.



Ouvrir les vannes manuelles et appuyer sur ENTER.



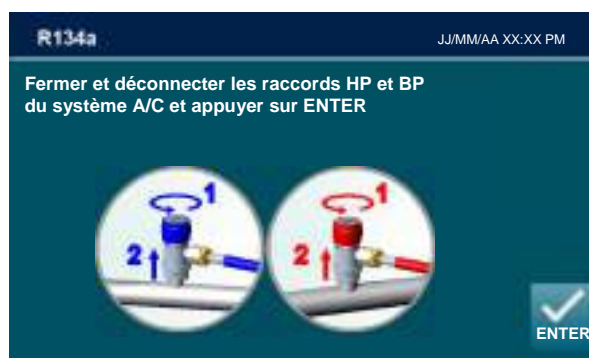
À la fin de cette phase, la machine testera les fuites dans le système A/C :



(AVERTISSEMENT ! Si le temps de vide est inférieur à 15 minutes, ce test n'est pas fiable). Si des fuites sont relevées, la machine s'arrêtera automatiquement et affichera l'alarme FUITES SYSTÈME A/C.

La détection de micro-fuites n'est pas garantie.

À la fin du temps de vide préétabli, la machine fait retentir une alarme et l'écran suivant s'affiche:



Fermer et déconnecter les raccords HP et BP du système A/C puis appuyer sur OK pour revenir au MENU PRINCIPAL ; la PROCÉDURE VIDE est maintenant achevée avec succès.

R134a JJ/MM/AA XX:XX PM

Plate: -

VIN: -

Miles: -

Operator code: 123456

ENTER

On vous demande d'entrer la PLAQUE du véhicule, le NUMÉRO DE CHÂSSIS, le nombre de KM/Miles et le Code de l'opérateur. Appuyer sur ENTER.

R134a JJ/MM/AA XX:XX PM

FIN de la procédure

Gaz récupéré : 121 g

Huile récupérée : 0 ml

Appuyer sur ENTER pour continuer

ENTER

Un résumé de la quantité des minutes de la phase de vide s'affiche.

Appuyer sur le symbole  pour imprimer (en option)

La procédure de VIDE s'est terminée avec succès, appuyer sur ENTER pour revenir à la page de procédure manuelle. INJECTION D'HUILE

INJECTION D'HUILE (ECO NEXT ONE uniquement)

Cette opération peut être effectuée UNIQUEMENT après une opération de VIDE.

À partir de PROCÉDURE MANUELLE, sélectionner INJECTION D'HUILE :

R134a MANUEL JJ/MM/AA XX:XX PM

RÉCUPÉRATION/RECYCLAGE

VIDE

INJECTION HUILE

CHARGE

FLUSHING KIT

ESC

L'écran suivant sera affiché :



REMARQUE : Pour la plupart des systèmes, la quantité de liquide à remplir est indiquée sur une plaque qui est située sur le compartiment moteur du véhicule. Si cette quantité n'est pas connue, la chercher dans les manuels correspondants. Sélectionner le champ de quantité QUANTITÉ DE CHARGE, voir le clavier à l'écran pour entrer la quantité (en grammes) de RÉFRIGÉRANT qui sera chargée dans le système A/C.

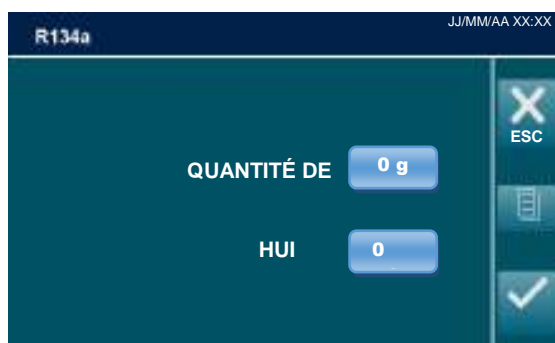


REMARQUE: Si la BASE DE DONNÉES est installée, elle peut être utilisée pour entrer la valeur du réfrigérant dans le champ REMPLISSAGE DE GAZ.

REMARQUE: si le remplissage de gaz est inférieur à 100 grammes, la fenêtre pop-up d'avertissement suivante s'affichera :



Le remplissage avec moins de 100 grammes de gaz n'est pas autorisé, appuyer sur OK et taper une quantité plus importante pour le remplissage de gaz. Sélectionner le champ de quantité HUILE, voir le clavier à l'écran pour entrer la quantité (en grammes) d'HUILE qui sera chargée dans le système A/C.

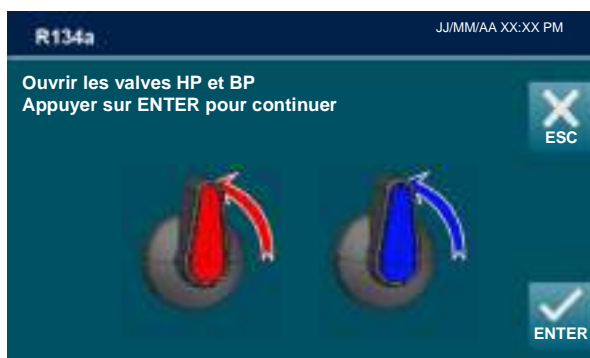


PROCEDURE DÉMARRAGE

Après avoir sélectionné toutes les données de la procédure, appuyer sur ENTER pour continuer, l'écran suivant s'affiche :



Connecter et ouvrir le raccord connecté au système A/C, puis appuyer sur ENTER et sur ESC pour revenir en arrière.



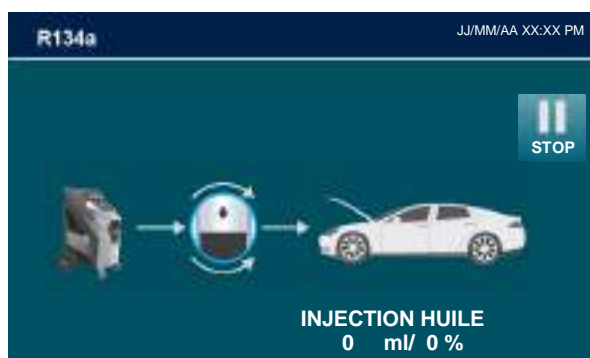
Ouvrir les vannes manuelles et appuyer sur ENTER.

Si le vide n'est pas suffisant, cet écran s'affichera :

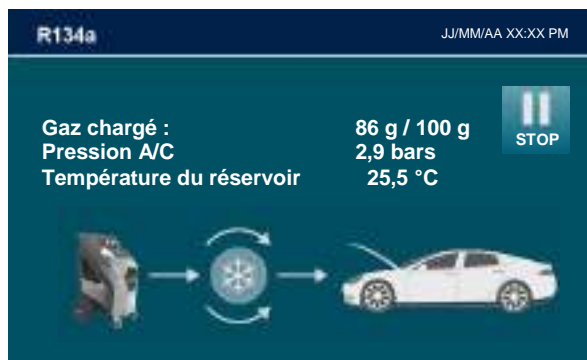


Ensuite, exécuter une procédure de VIDE.

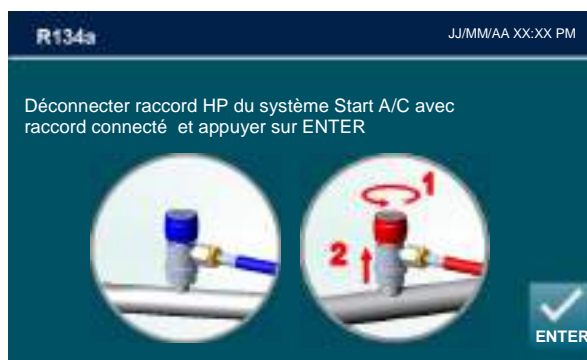
Avec suffisamment de VIDE, la machine procédera à l'injection de la quantité d'huile définie.



Ensuite, la machine procédera avec la quantité de gaz définie.

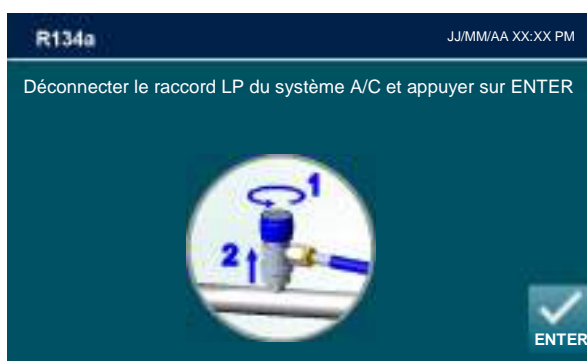


L'écran suivant sera ensuite affiché:

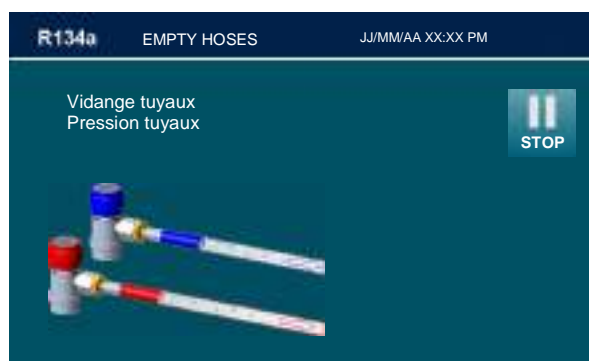


Déconnecter le raccord HP, Démarrer le système A/C avec le raccord connecté puis appuyer sur ENTER.

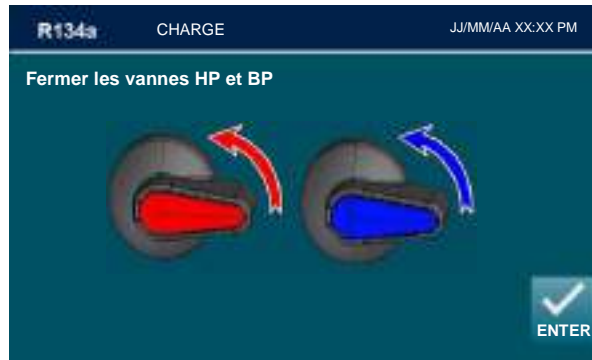
Le système A/C récupérera le liquide réfrigérant dans les tuyaux de service et puis l'écran suivant s'affichera:



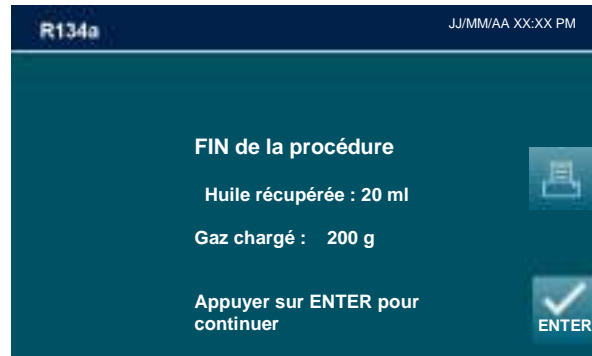
Déconnecter le raccord LP du système A/C puis appuyer sur ENTER pour continuer:



La machine récupérera le liquide réfrigérant dans les tuyaux de service et l'écran suivant s'affichera:



Fermez les vannes HP et LP et appuyez sur ENTER

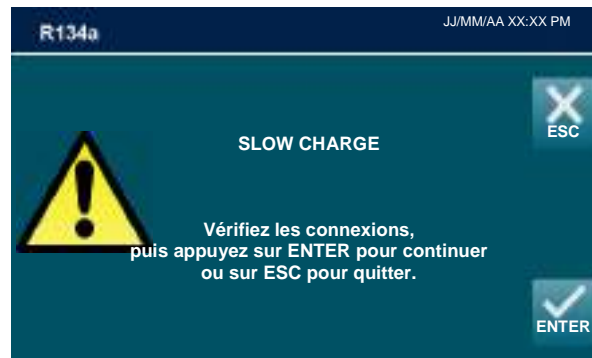


Un résumé de la quantité d'huile et de gaz de la phase INJECTION D'HUILE s'affiche.

Appuyer sur le symbole  pour imprimer.

La procédure INJECTION D'HUILE s'est terminée avec succès, appuyer sur ENTER pour revenir à la page de procédure manuelle.

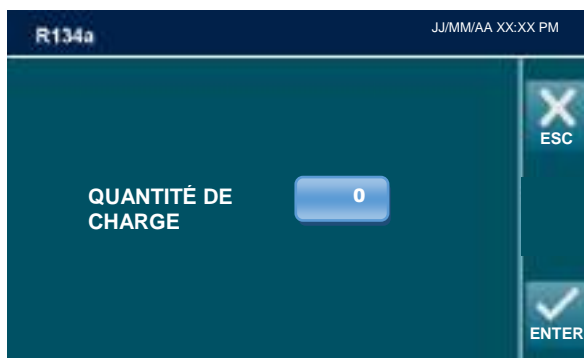
REMARQUE: vers la fin de la charge, le message d'alarme suivant peut s'afficher:



L'alarme SLOW CHARGE se produit lorsque la pression du réservoir et la pression du système s'équilibrent (en raison d'une basse pression, de températures excessives du système, etc.). Vérifiez les connexions, puis appuyez sur ENTER pour continuer ou sur ESC pour quitter.

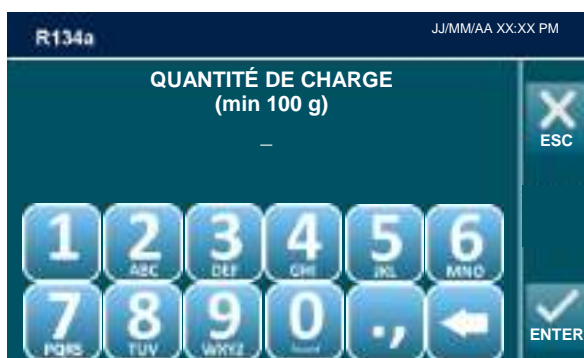
CHARGE (pour ECO NEXT ONE et ECO NEXT ONE HYBRID)

À partir de la PROCÉDURE MANUELLE, sélectionner CHARGE, l'écran suivant s'affichera :



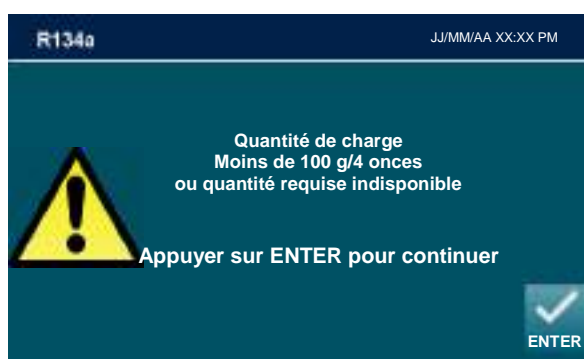
REMARQUE : Pour la plupart des systèmes, la quantité de liquide à remplir est indiquée sur une plaque qui est située sur le compartiment moteur du véhicule. Si cette quantité n'est pas connue, la chercher dans les manuels correspondants.

Sélectionner le champ de QUANTITÉ DE CHARGE, voir le clavier à l'écran pour entrer la quantité (en grammes) de RÉFRIGÉRANT qui sera chargée dans le système A/C.




REMARQUE : Si la BASE DE DONNÉES est installée, elle peut être utilisée pour entrer la valeur du réfrigérant dans le champ REMPLISSAGE DE GAZ.

REMARQUE : si le remplissage de gaz est inférieur à 100 grammes, la fenêtre pop-up d'avertissement suivante s'affichera :



La charge avec moins de 100 grammes de gaz n'est pas autorisée, appuyer sur OK et taper une quantité plus importante pour le remplissage de gaz.

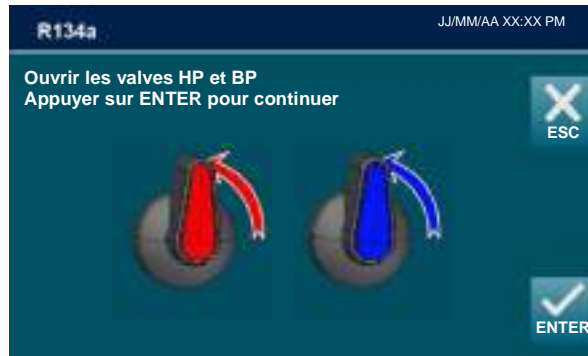
PROCÉDURE DÉMARRAGE

REMARQUE: le bouton STOP  interrompt littéralement la procédure en cours. Dans la phase finale de la charge, la procédure ne doit pas être interrompue ou arrêtée pour éviter de compromettre la précision de la procédure.

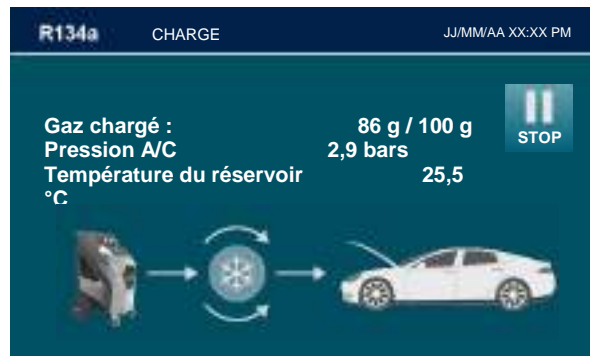
Après avoir sélectionné toutes les données de la procédure, appuyer sur ENTER pour continuer, l'écran suivant s'affiche :



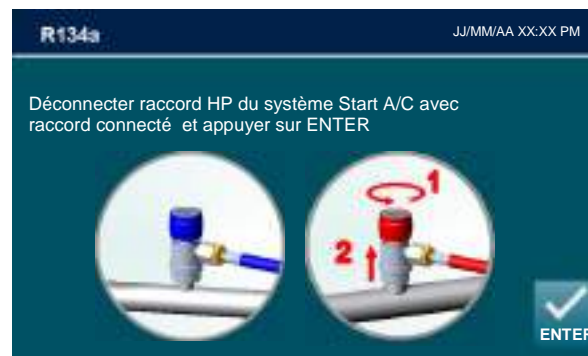
Connecter et ouvrir le raccord connecté au système A/C, puis appuyer sur ENTER et sur ESC pour revenir en arrière.



Ouvrir les vannes manuelles et appuyer sur ENTER.
Ensuite, la machine procédera avec la quantité de gaz définie.

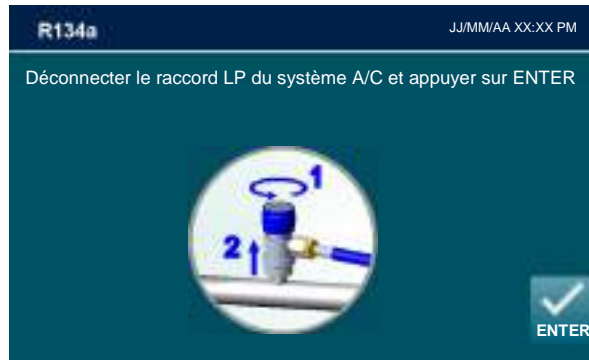


L'écran suivant sera ensuite affiché:



Déconnecter le raccord HP, Démarrer le système A/C avec le raccord connecté puis appuyer sur ENTER.

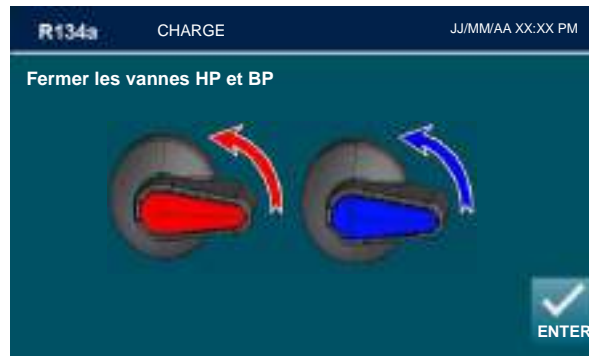
Le système A/C récupérera le liquide réfrigérant dans les tuyaux de service et puis l'écran suivant s'affichera:



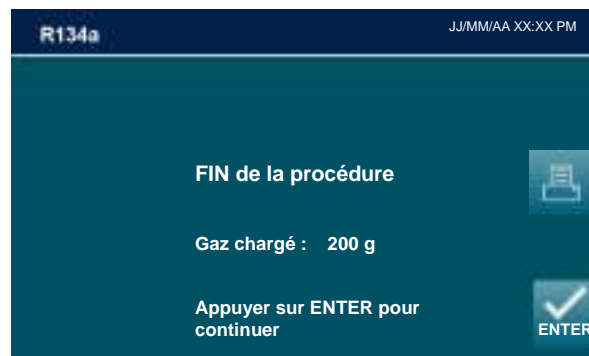
Déconnecter le raccord LP du système A/C puis appuyer sur ENTER pour continuer:




La machine récupérera le liquide réfrigérant dans les tuyaux de service et l'écran suivant s'affichera:



Fermez les vannes HP et LP et appuyez sur ENTER

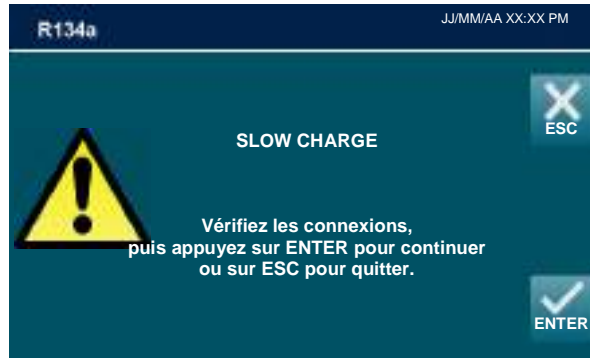


Un résumé de la quantité de gaz de la phase de CHARGE s'affiche.

Appuyer sur le symbole  pour imprimer

La procédure de CHARGE s'est terminée avec succès, appuyer sur ENTER pour revenir à la page de procédure manuelle.

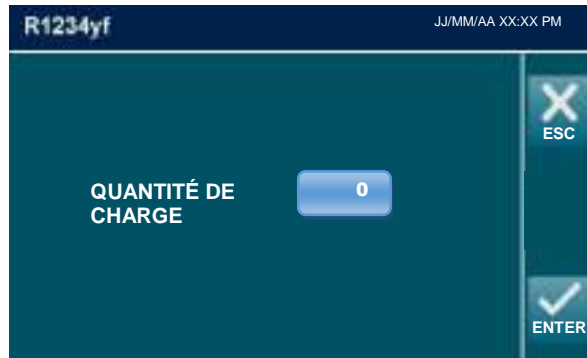
REMARQUE: vers la fin de la charge, le message d'alarme suivant peut s'afficher:



L'alarme SLOW CHARGE se produit lorsque la pression du réservoir et la pression du système s'équilibrent (en raison d'une basse pression, de températures excessives du système, etc.). Vérifiez les connexions, puis appuyez sur ENTER pour continuer ou sur ESC pour quitter.

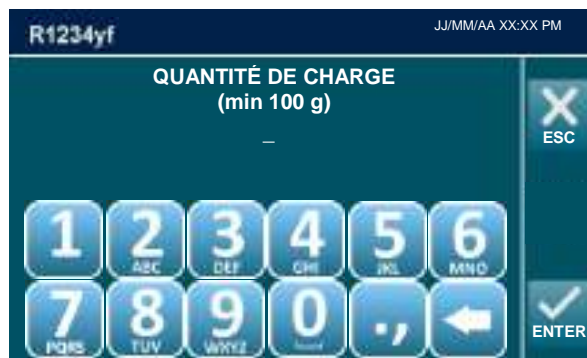
CHARGE (ECO NEXT ONE HFO uniquement)

À partir de la PROCÉDURE MANUELLE, sélectionner CHARGE, l'écran suivant s'affichera :



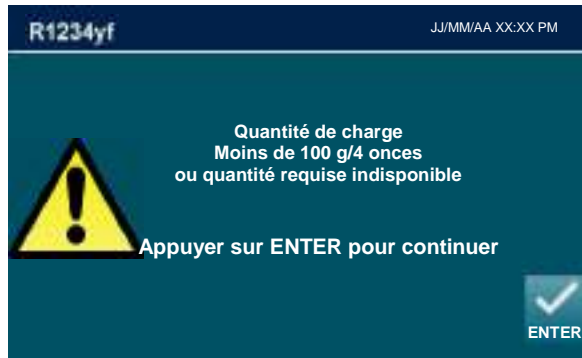
REMARQUE : Pour la plupart des systèmes, la quantité de liquide à remplir est indiquée sur une plaque qui est située sur le compartiment moteur du véhicule. Si cette quantité n'est pas connue, la chercher dans les manuels correspondants.

Sélectionner le champ de QUANTITÉ DE CHARGE, voir le clavier à l'écran pour entrer la quantité (en grammes) de RÉFRIGÉRANT qui sera chargée dans le système A/C.



REMARQUE : Si la BASE DE DONNÉES est installée, elle peut être utilisée pour entrer la valeur du réfrigérant dans le champ REMPLISSAGE DE GAZ.

REMARQUE : si le remplissage de gaz est inférieur à 100 grammes, la fenêtre pop-up d'avertissement suivante s'affichera :



La charge avec moins de 100 grammes de gaz n'est pas autorisée, appuyer sur OK et taper une quantité plus importante pour le remplissage de gaz.

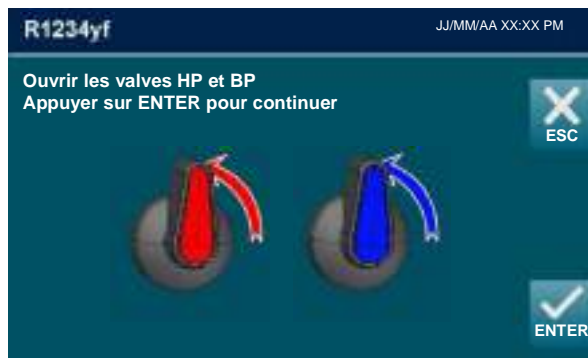
PROCEDURE DÉMARRAGE

REMARQUE: le bouton STOP interrompt littéralement la procédure en cours. Dans la phase finale de la charge, la procédure ne doit pas être interrompue ou arrêtée pour éviter de compromettre la précision de la procédure.

Après avoir sélectionné toutes les données de la procédure, appuyer sur ENTER pour continuer, l'écran suivant s'affiche :



Connecter et ouvrir le raccord connecté au système A/C, puis appuyer sur ENTER et sur ESC pour revenir en arrière.

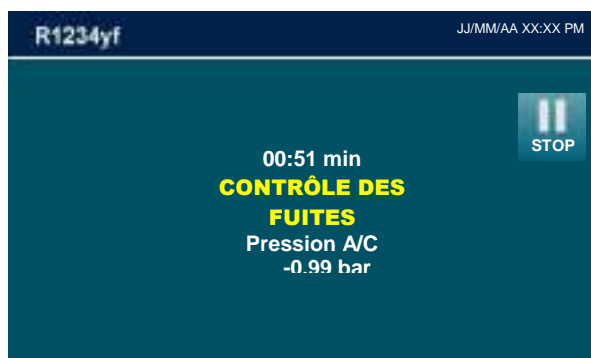


Ouvrir les vannes manuelles et appuyer sur ENTER.

La machine effectue 5 minutes de vide:



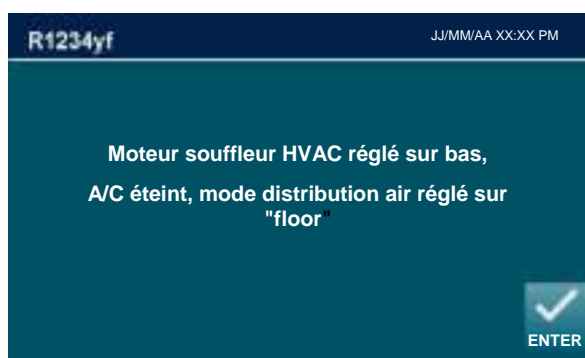
À la fin de cette phase, la machine testera les fuites dans le système A/C :



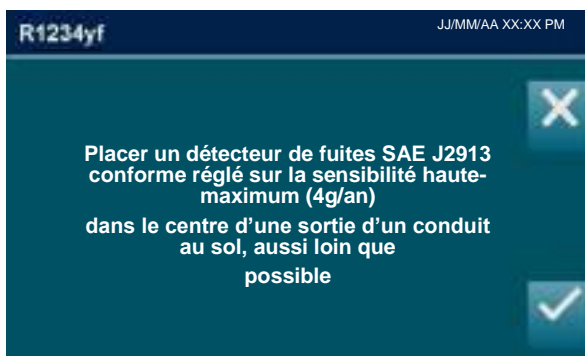
(AVERTISSEMENT ! Si le temps de vide est inférieur à 15 minutes, ce test n'est pas fiable). Si des fuites sont relevées, la machine s'arrêtera automatiquement et affichera l'alarme FUITES SYSTÈME A/C.

La détection de micro-fuites n'est pas garantie.

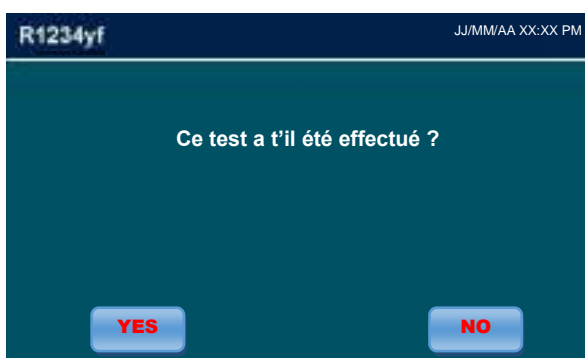
Quand la phase de vide est terminée, le système ira en test de pré-charge, l'écran suivant s'affichera :



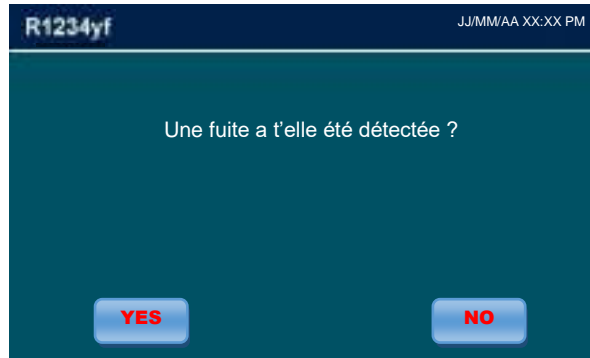
Mettre le moteur du ventilateur CVC sur vitesse faible, A/C désactivé, le mode de distribution d'air sur « sol », puis appuyer sur ENTER pour continuer :



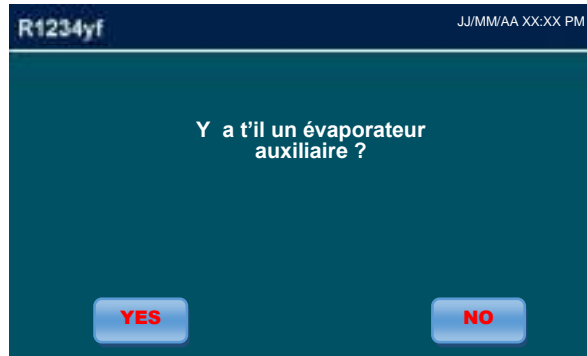
Mettre un détecteur de fuite conforme SAE J2913 sur sensibilité maximale (4g/an) au centre d'une sortie de conduite au sol, aussi loin que possible, puis appuyer sur ENTER pour continuer :



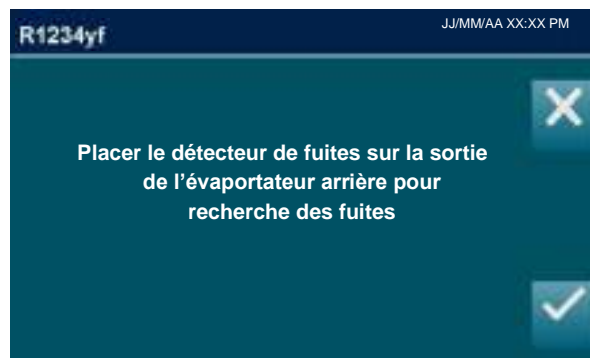
Un message pop-up s'affiche demandant la confirmation, appuyer sur OUI pour continuer :



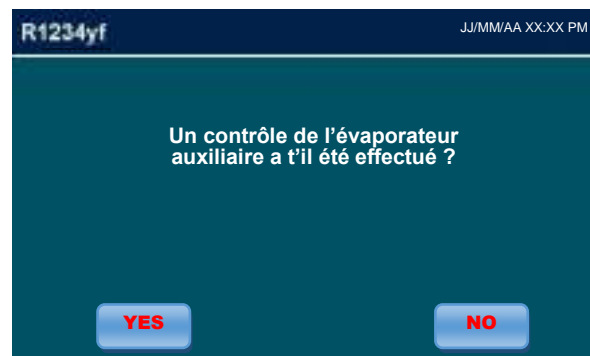
Appuyer sur NON si aucune fuite n'est détectée, l'écran suivant s'affichera :



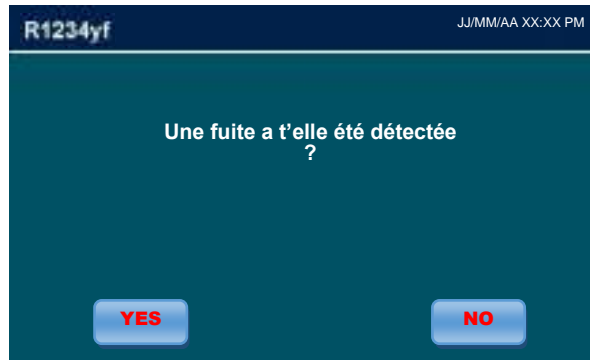
Sélectionner OUI pour effectuer une vérification de fuite sur l'évaporateur auxiliaire :



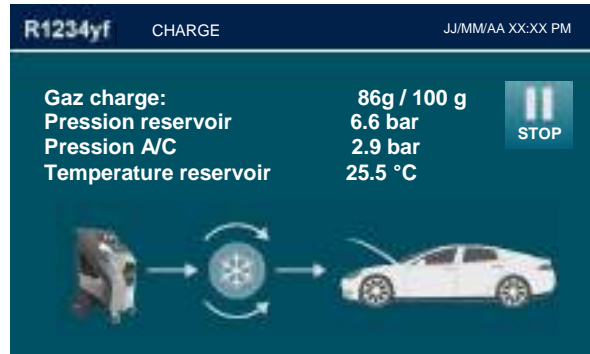
Placer le détecteur de fuite sur la sortie de l'évaporateur arrière et chercher les fuites, puis appuyer sur ENTER pour continuer :



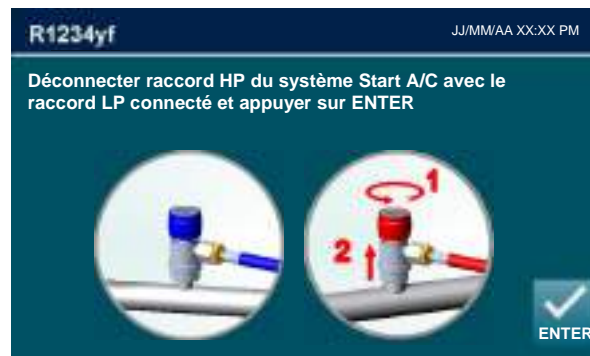
Un message pop-up s'affiche demandant la confirmation, appuyer sur OUI pour continuer :



Appuyer sur NON si aucune fuite n'est détectée, quand le TEST DE PRÉ-CHARGE est terminé, le système ira se charger avec la quantité de réfrigérant préétablie.



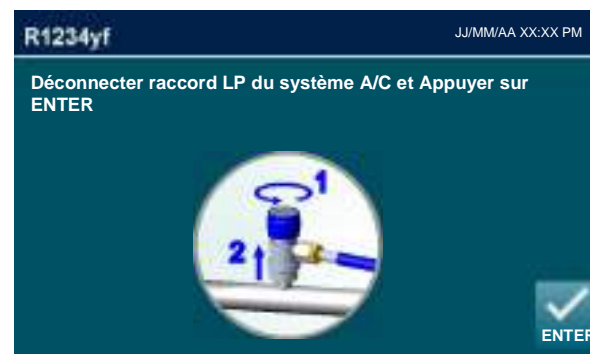
L'écran suivant sera ensuite affiché :



Déconnecter le raccord HP, Démarrer le système A/C avec le raccord connecté puis appuyer sur ENTER.

REMARQUE: Pendant cette phase, le message "Veuillez patienter" peut apparaître à l'écran, sa durée est fonction de la pression du climatiseur et peut durer au maximum 1 minute

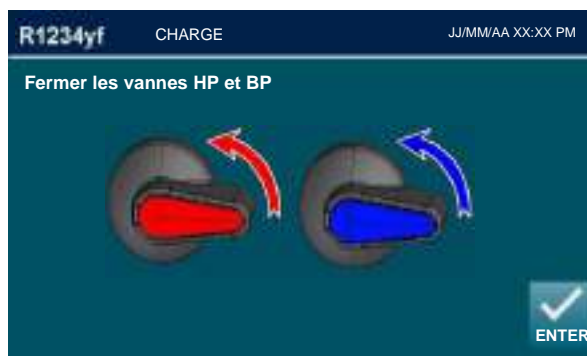
Le système A/C récupérera le liquide réfrigérant dans les tuyaux de service et puis l'écran suivant s'affichera :



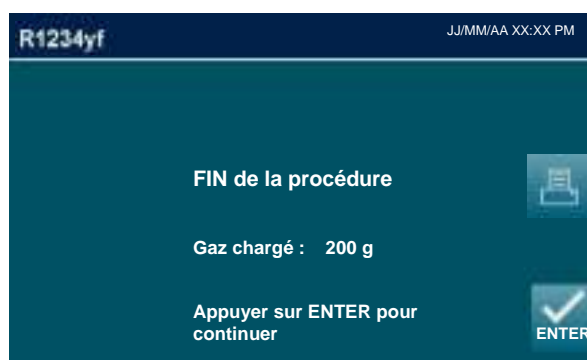
Déconnecter le raccord LP du système A/C puis appuyer sur ENTER pour continuer :



La machine récupérera le liquide réfrigérant dans les tuyaux de service et l'écran suivant s'affichera:



Fermez les vannes HP et LP et appuyez sur ENTER

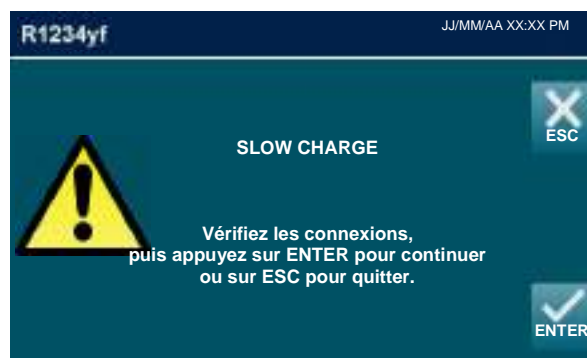


Un résumé de la quantité de gaz de la phase de CHARGE s'affiche.

Appuyer sur le symbole  pour imprimer (en option)

La procédure de CHARGE s'est terminée avec succès, appuyer sur ENTER pour revenir à la page de procédure manuelle.

REMARQUE: vers la fin de la charge, le message d'alarme suivant peut s'afficher:



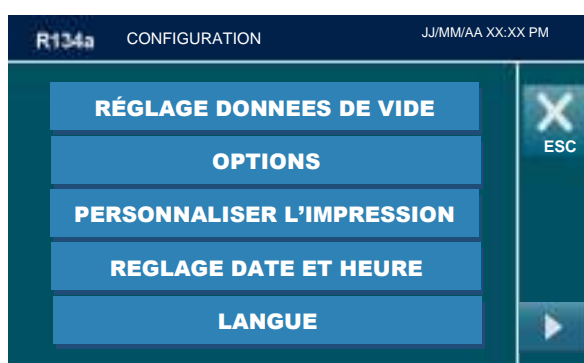
L'alarme SLOW CHARGE se produit lorsque la pression du réservoir et la pression du système s'équilibrent (en raison d'une basse pression, de températures excessives du système, etc.). Vérifiez les connexions, puis appuyez sur ENTER pour continuer ou sur ESC pour quitter.

CONFIGURATION

À partir du MENU PRINCIPAL :

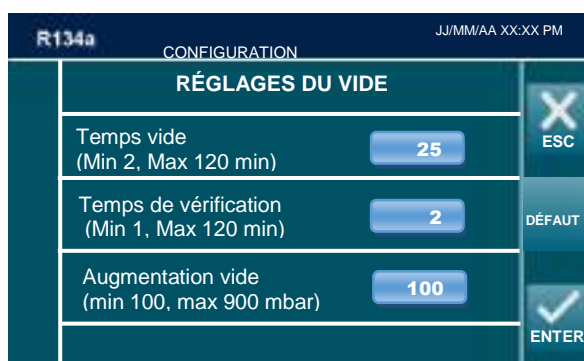


Sélectionner la CONFIGURATION , l'écran suivant s'affichera :



REGLAGE DONNES DE VIDE

À partir du MENU SETUP, sélectionner RÉGLAGE DONNEES DE VIDE, le réglage par défaut s'affiche :



Permet de modifier le temps de vide par défaut et le temps de contrôle par défaut.

Chaque valeur peut être modifiée dans les valeurs indiquées entre parenthèses.

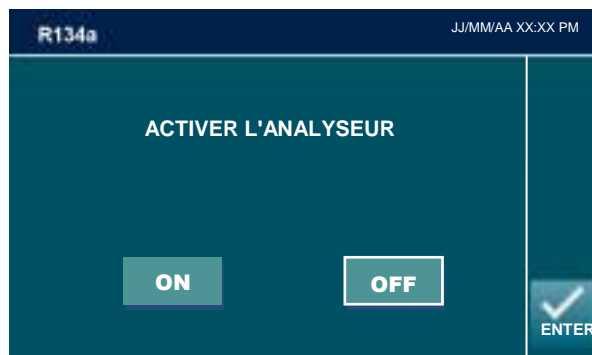
REMARQUE : appuyer sur DÉFAUT pour rétablir les valeurs par défaut :

- Temps vide 25 min
- Temps de contrôle 2 min
- Montée vide 0,1 mbar

OPTIONS

Sélectionner OPTIONS, insérer le code OPTION : 43210791

l'écran suivant s'affiche :

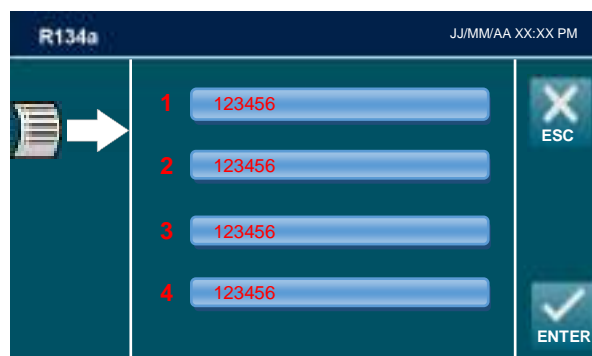


Choisir ON pour désactiver l'ANALYSEUR et OFF pour le réactiver, puis appuyer sur ENTER.

PERSONNALISER L'IMPRESSION

L'impression est personnalisable avec 3 lignes de saisie contenant les détails de l'atelier (par ex. nom, adresse, n° de téléphone et e-mail).

À partir du MENU SETUP, sélectionner PERSONNALISER L'IMPRESSION :



Utiliser le clavier pour modifier les 4 lignes puis appuyer sur ESC pour retourner au menu SETUP.



REMARQUE : les touches numériques comprennent un alphabet qui est utilisé de la même manière que pour la messagerie texte ; par exemple : appuyer sur « 2 » une fois pour afficher « A », deux fois pour afficher « B », trois fois pour « C », quatre fois pour « 2 ».

REGLADE DATE ET HEURE

À partir du MENU SETUP, sélectionner la flèche  pour changer de page.



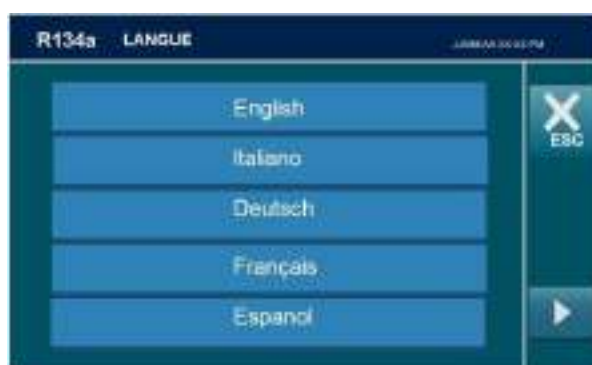
La machine mémorise les réglages de la date et l'heure même si elle n'est pas utilisée pendant un an. À partir du MENU SETUP, sélectionner CONFIGURATION DATE / HEURE :



Utiliser le clavier pour modifier la date et l'heure, appuyer sur ENTER pour confirmer ou sur ESC pour revenir au menu SETUP sans sauvegarder les changements.

LANGUE

Sélectionner ensuite la LANGUE :

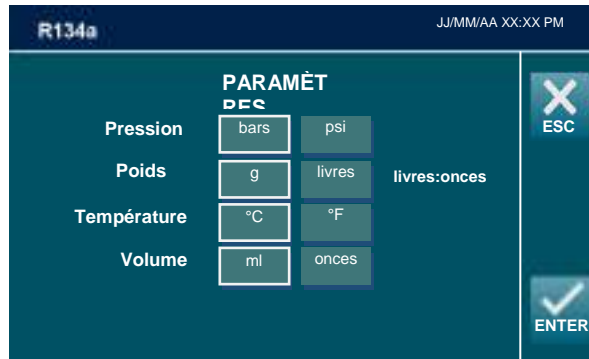


Sélectionner une langue.

UNITÉS DE MESURE

À partir du menu SETUP, sélectionner la flèche  pour changer de page.

Sélectionner ensuite UNITÉS DE MESURE :



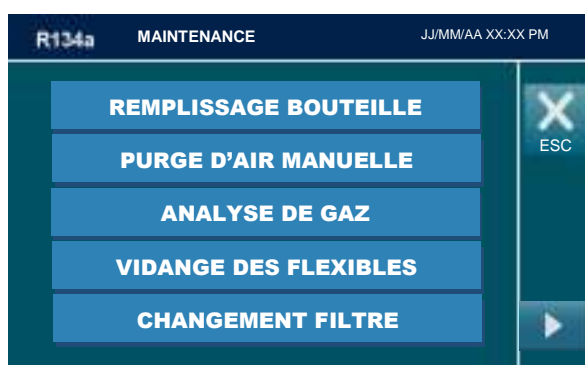
REMARQUE : les UNITÉS DE MESURE actuelles sont indiquées par un quadrillage. Sélectionner une UNITÉ DE MESURE, puis appuyer sur ENTER.

MAINTENANCE

À partir du MENU PRINCIPAL :



Sélectionner MAINTENANCE , l'écran suivant s'affichera :



REPLISSAGE BOUTEILLE

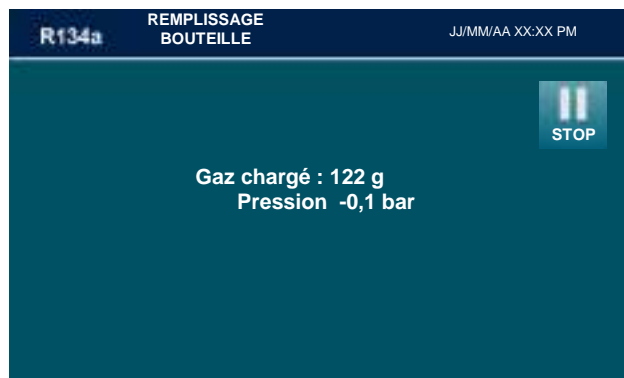
Cette opération doit être effectuée quand le liquide réfrigérant disponible dans le réservoir est inférieur à 3 kg et doit dans tous les cas être effectuée quand l'alarme « vider réservoir » s'affiche.

À partir de MAINTENANCE, sélectionner REPLISSAGE BOUTEILLE, l'écran suivant s'affichera :

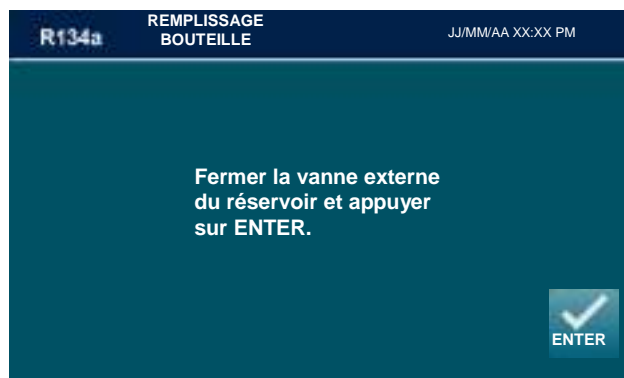


Se procurer un réservoir de réfrigérant approprié (R134a ou R1234yf selon le modèle de la machine), connecter et ouvrir le raccord BP sur le côté du liquide du bouteille externe et ouvrir la vanne de liquide, puis utiliser le clavier pour saisir la quantité de réfrigérant, puis appuyer sur ENTER pour continuer.

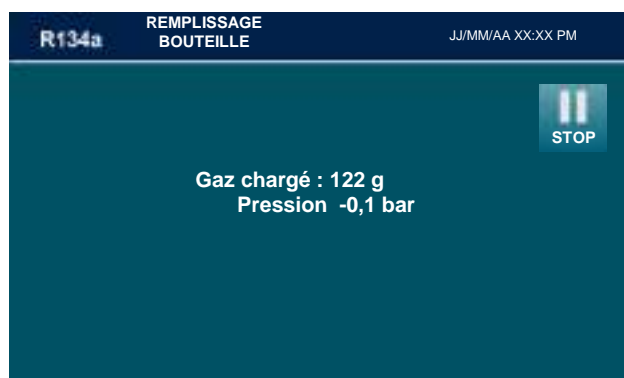
Le REPLISSAGE BOUTEILLE démarre.



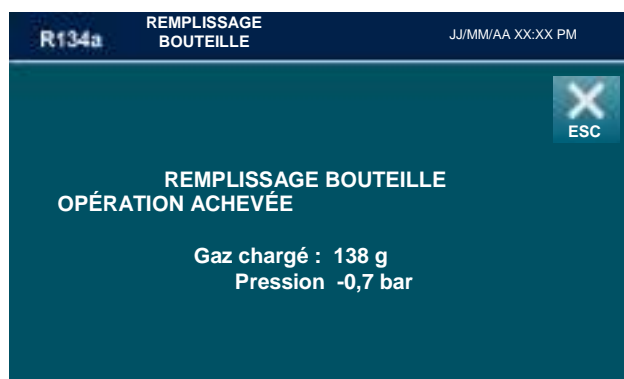
La machine remplira maintenant le réservoir avec la quantité pré-établie ~ 500 g. Lorsque le niveau moins 500 grammes est atteint, la machine s'arrête et affiche:



Fermer la vanne de liquide du bouteille externe et appuyer sur ENTER, la machine récupérera le réfrigérant résiduel des tuyaux. Le réfrigérant récupéré dans cette phase est estimé à 500g mais peut se charger en fonction de nombreux facteurs (la pression de la bouteille externe, le débit de réfrigérant ou la pression à l'intérieur de la bouteille interne par exemple). Puis l'écran suivant s'affichera :



Fermer et débrancher le raccord LP du bouteille extérieur et appuyer sur ENTER.

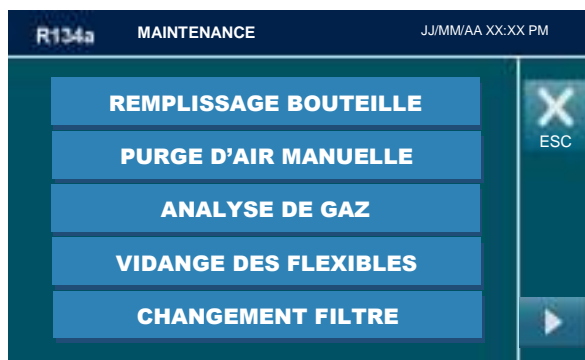


Le remplissage du réservoir est effectuée avec succès. Éteindre la machine.

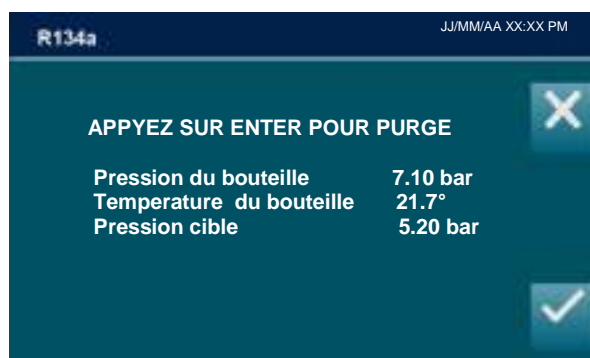
REMARQUE : si le réservoir extérieur n'est pas fourni avec un couplage côté liquide, le retourner pour récupérer le liquide réfrigérant.

PURGE D'AIR MANUELLE

Dans MAINTENANCE, sélectionner PURGE D'AIR MANUELLE, l'écran suivant s'affiche :



The following screen will be displayed:



Si la touche ENTER s'affiche, il y a de l'air dans la bouteille. Dans ce cas, appuyer sur ENTER : la machine commence à purger l'air.

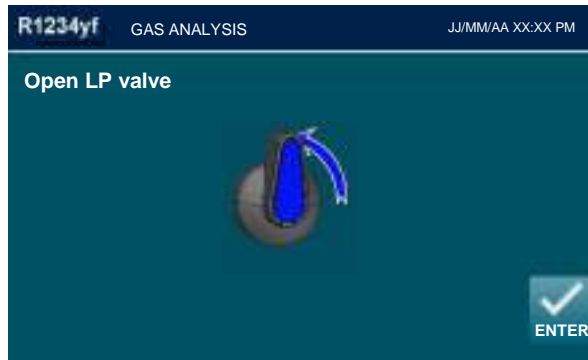
REMARQUE : S'il n'y a pas d'air dans la bouteille, la touche ENTER ne s'affiche pas et le message suivant s'affiche : PURGE AIR NON NÉCESSAIRE

Appuyer sur ESC pour compléter le processus de purge de l'air et revenir au menu MAINTENANCE.

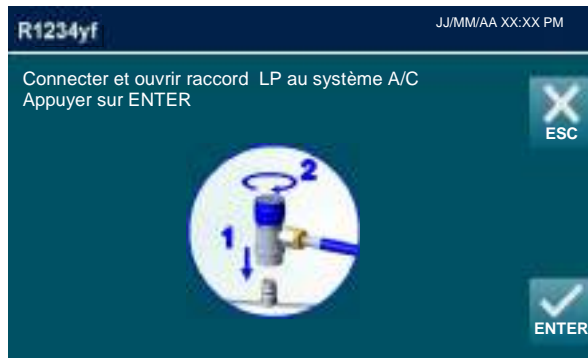
ANALYSE DE GAZ (ECO NEXT ONE HFO uniquement)

La machine teste la pureté du gaz réfrigérant dans le système A/C avant de commencer la récupération. Le réfrigérant contaminé ne peut pas être récupéré, car il contaminerait tout le réfrigérant contenu dans la bouteille de stockage. Le test de pureté est effectué après qu'un échantillon du gaz réfrigérant à analyser a été pris.

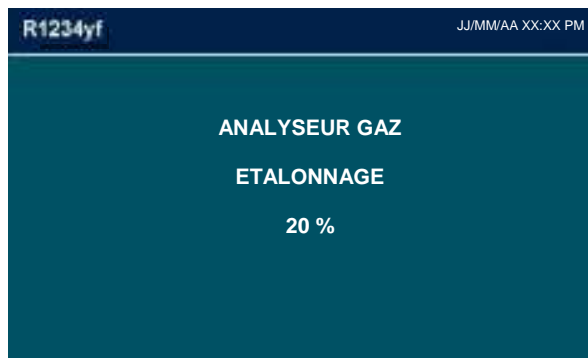
À partir de MAINTENANCE, sélectionner ANALYSE DE GAZ, l'écran suivant s'affichera :



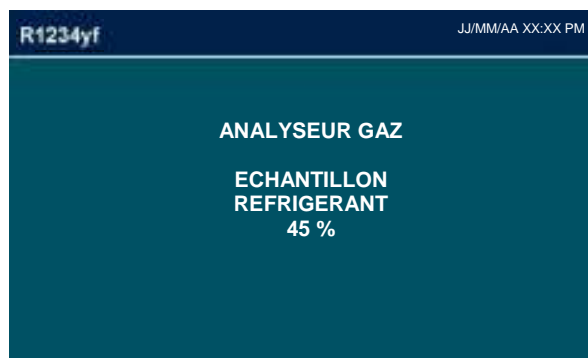
Open the LP valve



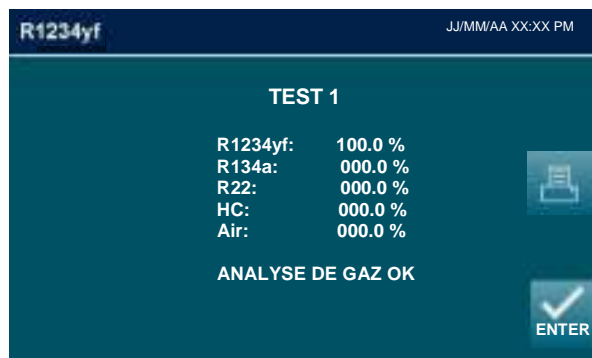
Connecter et ouvrir le couplage LP connecté au système A/C puis appuyer sur ENTER



L'analyseur commencera l'étalonnage, puis après quelques secondes il commencera l'analyse de gaz :



Si le réfrigérant est PUR, la machine affichera l'écran suivant pendant quelques secondes :



Appuyer sur le symbole  pour imprimer (en option)

La procédure de ANALYSE DE GAZ s'est terminée avec succès, appuyez sur imprimante pour imprimer la réception de la procédure, appuyez sur ENTER pour revenir à la sortie.

REMARQUE : Si le réfrigérant est CONTAMINÉ, la machine demandera de connecter une unité de récupération externe au raccord de purge afin de retirer le réfrigérant contaminé de la machine. Afin d'effectuer le nettoyage du circuit interne, la machine effectuera le vide pendant 10 minutes

VIDAGE DES FLEXIBLES

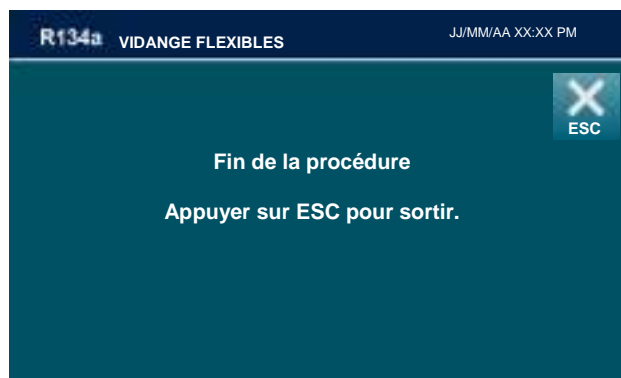
Sur ENTRETIEN, sélectionner VIDAGE FLEXIBLES, l'écran suivant s'affiche:



Ouvrir les vannes manuelles et appuyer sur ENTER.



La machine récupère tout le réfrigérant présent à l'intérieur des tuyaux de service ; une alarme se déclenche sur la machine et la page-écran suivant s'affiche :



Appuyer sur ESC pour revenir au MENU MAINTENANCE

REMARQUE: Vérifiez régulièrement le serrage des raccords LP et HP pour les tuyaux de service et des tuyaux de service à l'unité

CHANGEMENT FILTRE

Remplacer le filtre sur la machine déclenche une alarme de service signalant la présence d'humidité dans le circuit.

Avant de procéder, vérifier si le filtre de remplacement est du même type que ceux montés sur la machine.

Procéder alors de la sorte:

- 1) **Porter des lunettes et des gants de protection**
- 2) Raccorder la machine sur l'alimentation électrique et l'allumer
- 3) Noter le code de fabrication des nouveaux filtres

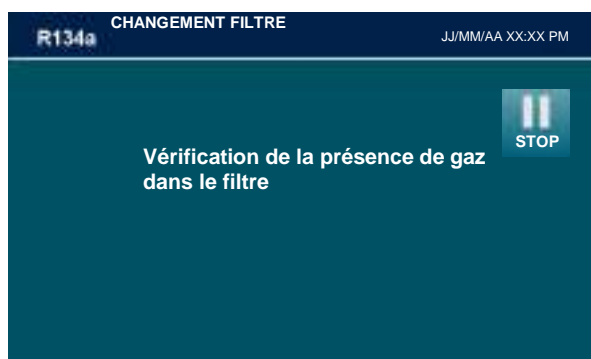
IMPORTANT : Le remplacement du filtre doit être effectué aussi rapidement que possible afin d'éviter une contamination possible par l'humidité présente dans l'air ambiant.

REMARQUE : Si possible, vérifier le joint sur les raccord du nouveau filtre en utilisant un détecteur de fuite électronique.

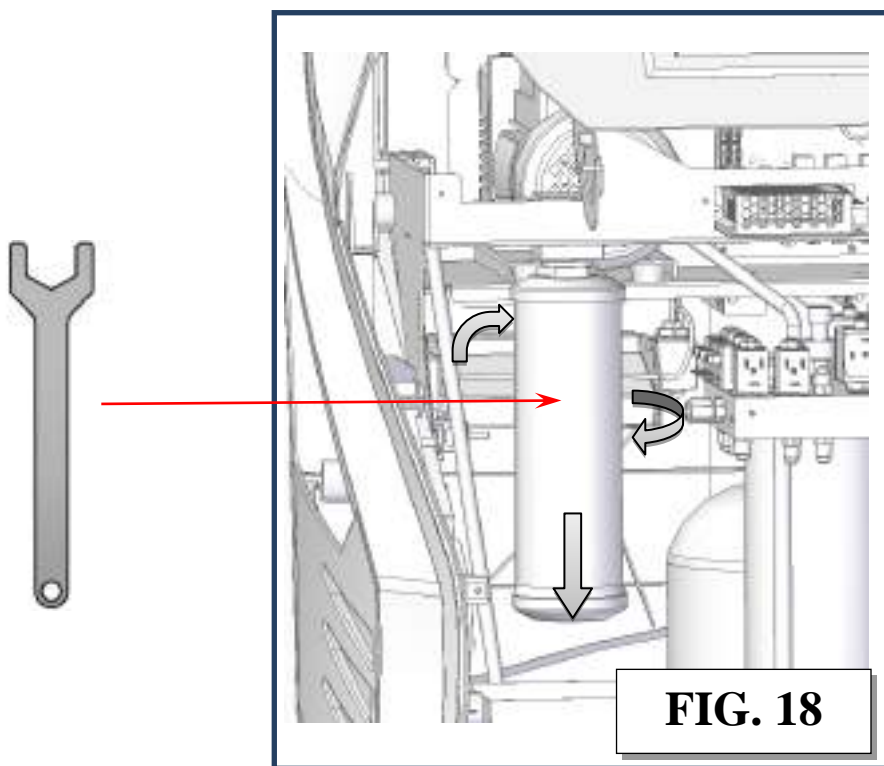
- 4) À partir de MAINTENANCE, sélectionner ALARME SERVICE, le message d'avertissement suivant s'affiche :



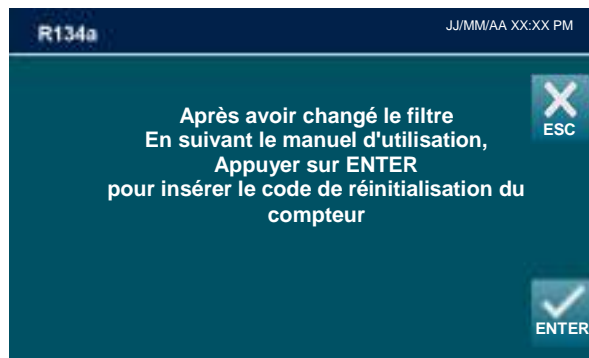
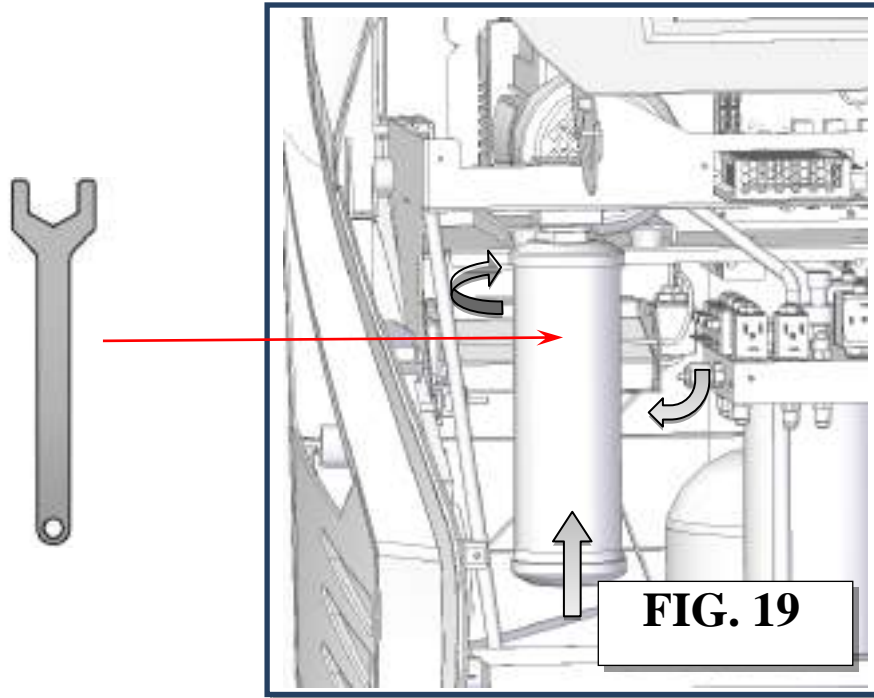
Une fuite accidentelle de réfrigérant peut causer de graves dommages à la peau et aux yeux, porter des gants et des lunettes de protection. S'assurer que les raccords HP et BP sont déconnectés du système A/C ou appuyer sur ENTER, la machine vérifiera la présence de réfrigérant :



- 5) Et si nécessaire, le récupérera.
- 6) Retirez le filtre de la sécheuse, utilisez la clé spéciale (réf Fig.18)



7) Prenez le nouveau filtre, mouillé avec de l'huile POE propre, les deux joints toriques et vérifiez qu'ils sont correctement placés dans leurs sièges



8) Taper le code du filtre et appuyer sur ENTER pour supprimer l'alarme. Si le code du filtre n'est pas disponible, appeler le Centre du Service Après-Vente :



9) Appuyer sur OK pour continuer avec le contrôle du vide :

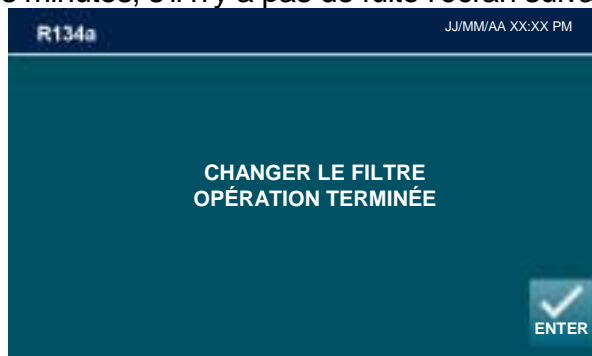


10) Si des fuites sont détectées, l'écran suivant s'affichera :

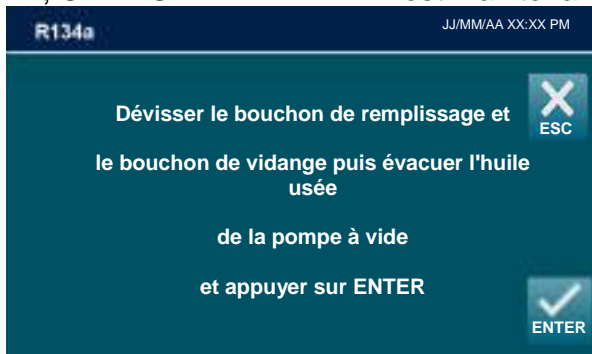


Vérifier le serrage du filtre et appuyer sur ESC pour redémarrer le contrôle du vide.

11) Après quelques minutes, s'il n'y a pas de fuite l'écran suivant s'affiche;



12) Appuyer sur ENTER ; CHANGEMENT FILTRE est maintenant effectué avec succès.



POMPE À VIDE

En même temps que le changement de filtre, la machine demandera de changer l'huile de la pompe à vide.

Accomplir les opérations ci-dessous régulièrement afin de garantir le bon fonctionnement de la pompe à vide:

M1) Remise niveau huile.

M2) Vidange huile.

Pour mettre à niveau ou vidanger l'huile de la pompe, n'utiliser que l'huile recommandée par le fabricant. Contacter le détaillant pour recevoir des informations sur le type d'huile correct.

M.1) REMISE À NIVEAU HUILE

Cette opération doit se faire lorsque le niveau d'huile descend à moins de la moitié de l'indicateur (réf. 3, Fig. 20).

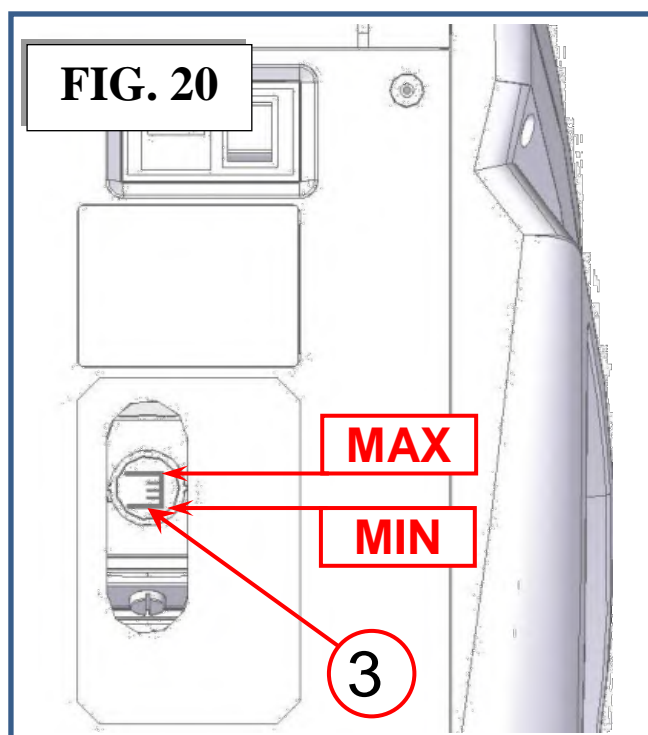
REMARQUE : pour vérifier correctement le niveau d'huile, faire tourner la pompe pendant au moins 1 minute (en accomplissant une procédure de vide dans le tuyau flexible pendant 1 minute) afin que l'huile se fluidifie.

Vérifier le niveau de l'huile lorsque la pompe s'arrête.

Pour remettre de l'huile, procéder de la façon suivante, dans l'ordre indiqué.

Débrancher la *machine* de l'alimentation principale. Retirer le couvercle en plastique arrière (réf. 2, Fig. 20B)

Localiser le bouchon de remplissage (réf. 1, Fig. 20A) et le dévisser complètement.



L'écran suivant s'affiche :

R134a JJ/MM/AA XX:XX PM

Remplir la pompe à vide avec de l'huile neuve

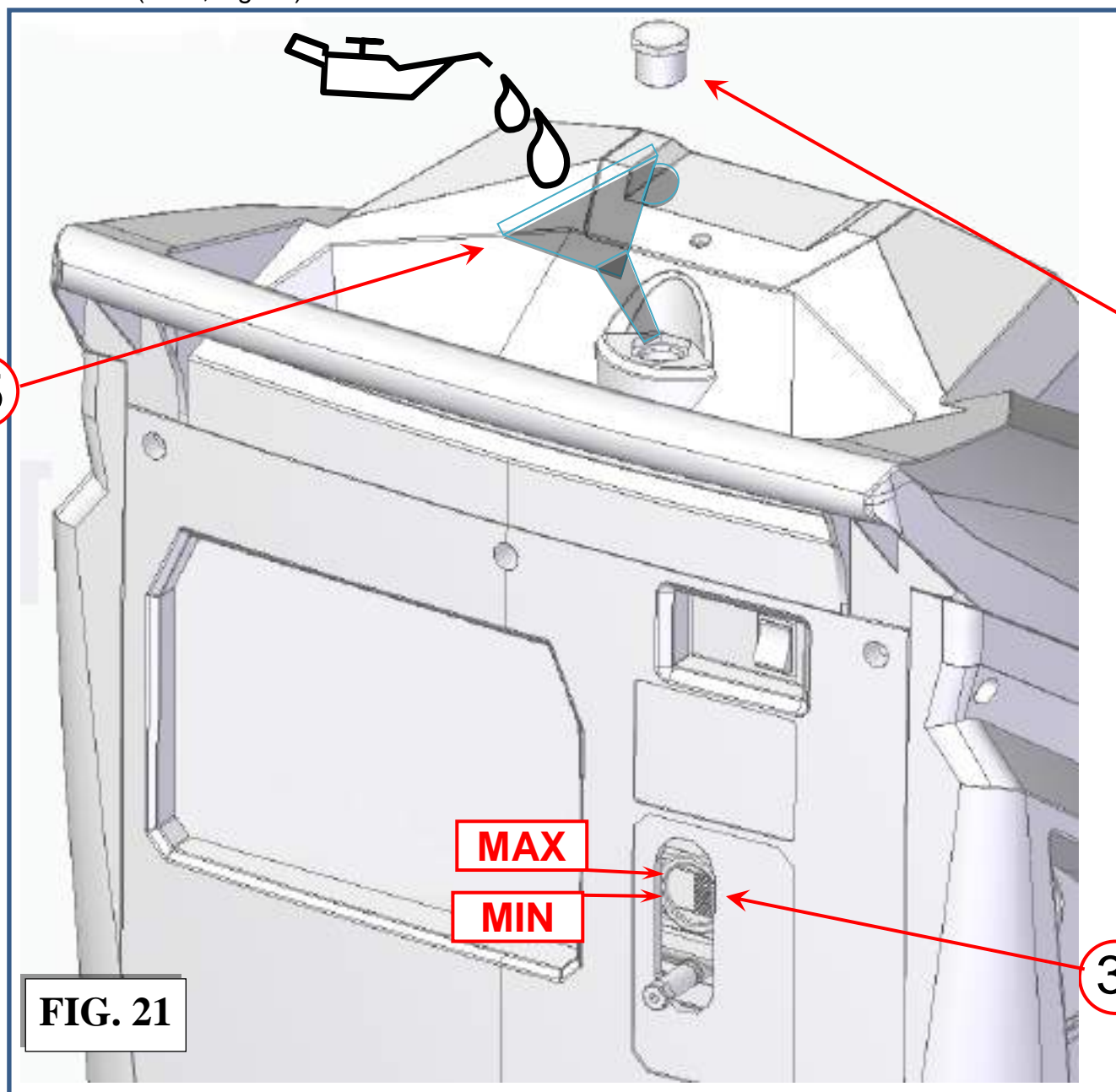
Au centre du verre de contrôle

Puis replacer le bouchon de remplissage.

Quand cela est fait, appuyer sur ENTER pour sortir.

ENTER

Ajouter l'huile à travers le trou dans lequel le bouchon de l'huile se trouvait à l'aide d'un entonnoir (réf. 5, Fig. 21).



Ajouter de l'huile petit à petit, en attendant que le niveau monte avant d'en ajouter encore, jusqu'à ce que le niveau d'huile se trouve à environ 0,5 cm au-dessus du signe rouge sur l'indicateur (réf. 3, Fig. 21).

Remettre en place le bouchon de remplissage (réf. 1, Fig. 21) et serrer.

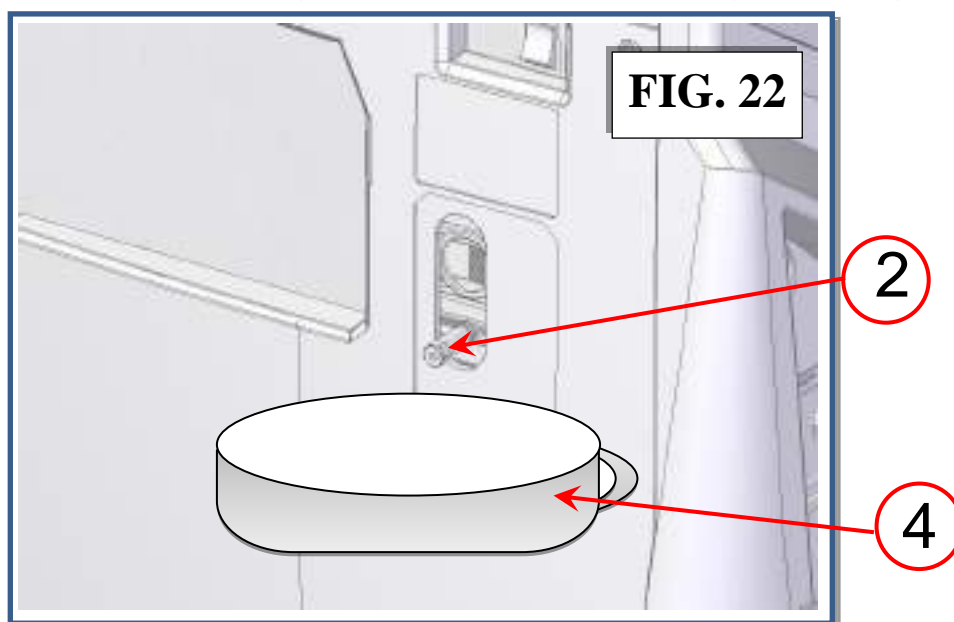
M.2) VIDANGE D'HUILE

L'huile de la pompe à vide doit être remplacée toutes les 20 heures de fonctionnement et, dans tous les cas, chaque fois que les filtres du réfrigérant sont changés.

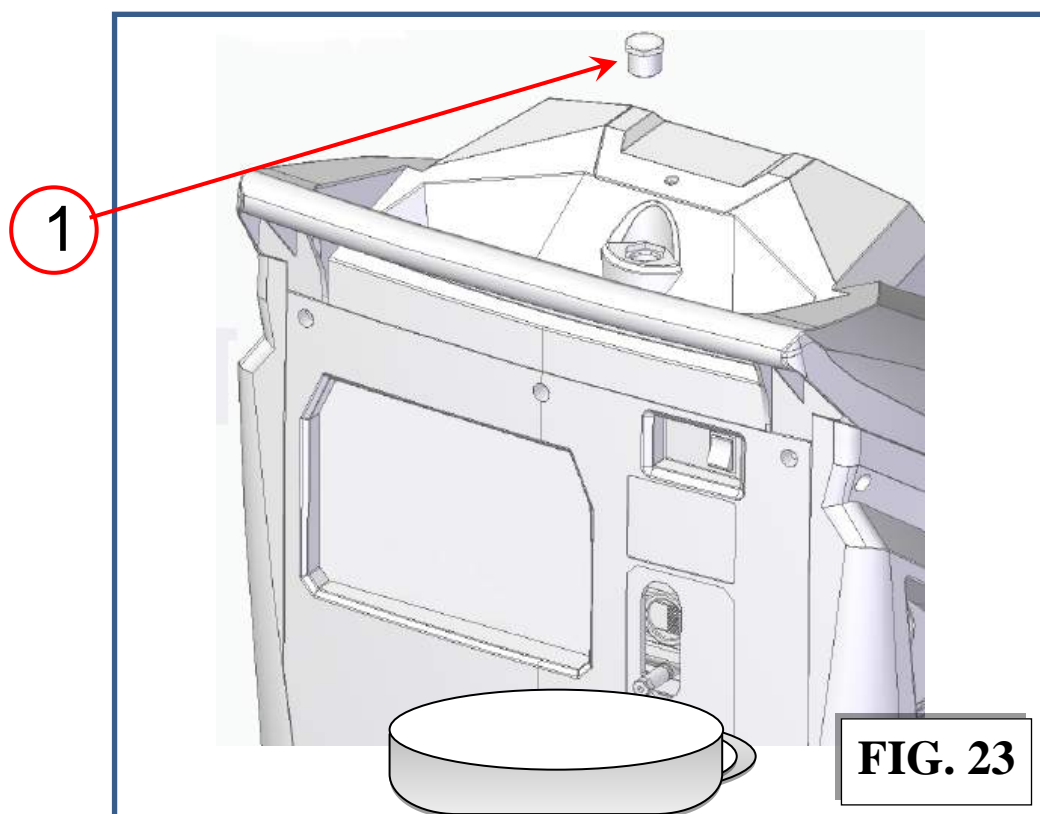
REMARQUE : un message d'alarme est affiché, pour éliminer le message d'alarme, voir le paragraphe sur VIDANGE HUILE POMPE À VIDE.

L'huile doit également être remplacée chaque fois qu'elle change de couleur à cause de l'absorption d'humidité. Avant de commencer à vidanger l'huile, se procurer un récipients d'une capacité minimum de 500 cc pour récolter l'huile usée. La pompe contient environ **250 ml d'huile**. N'utiliser que des huiles recommandées par le fabricant (consulter le détaillant). L'utilisation d'une huile non recommandée peut nuire au bon fonctionnement de la pompe et annuler la garantie.

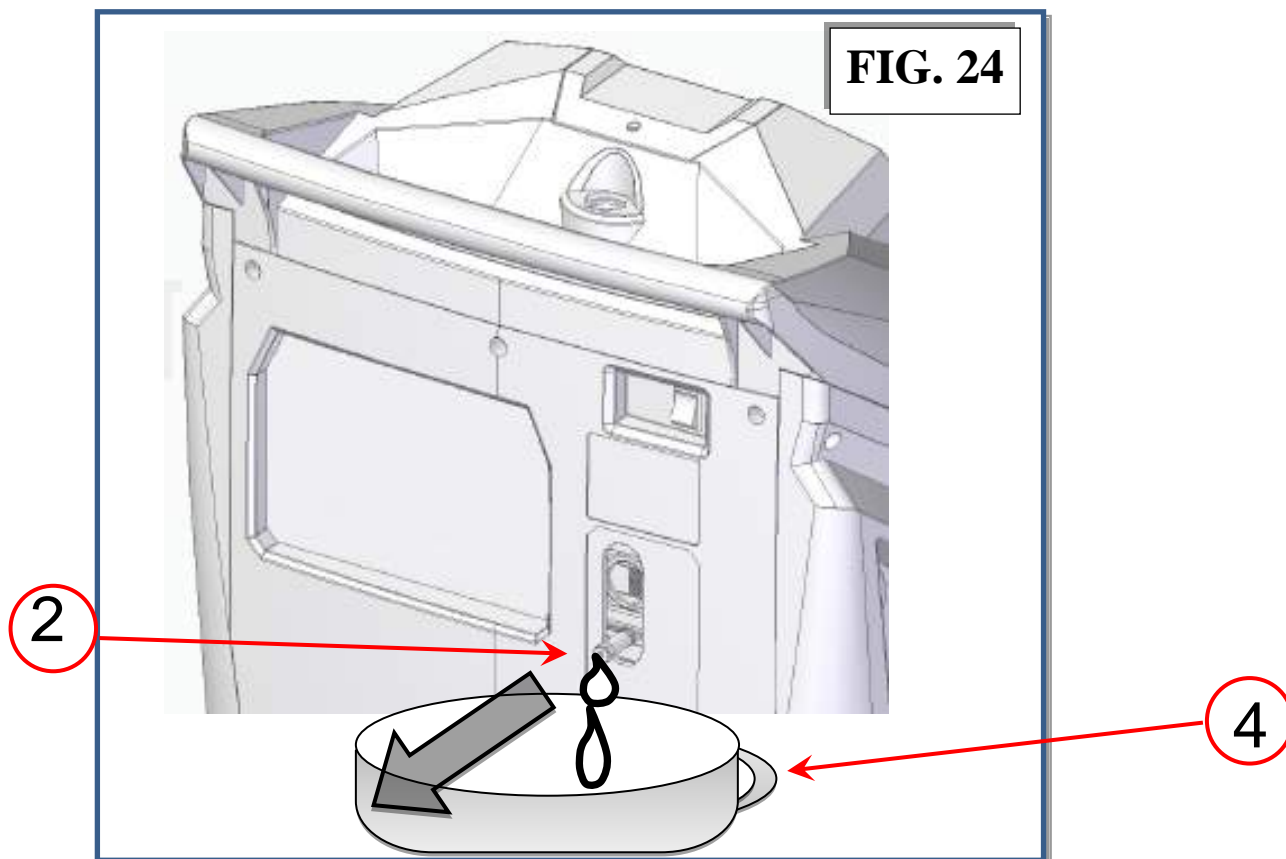
- 1) Déconnecter la machine du secteur.
- 2) Placer un récipient (réf. 4, Fig. 22) sous le bouchon de vidange (réf. 2, Fig. 22).



- 3) Dévisser le bouchon de remplissage (réf. 1, Fig. 23).

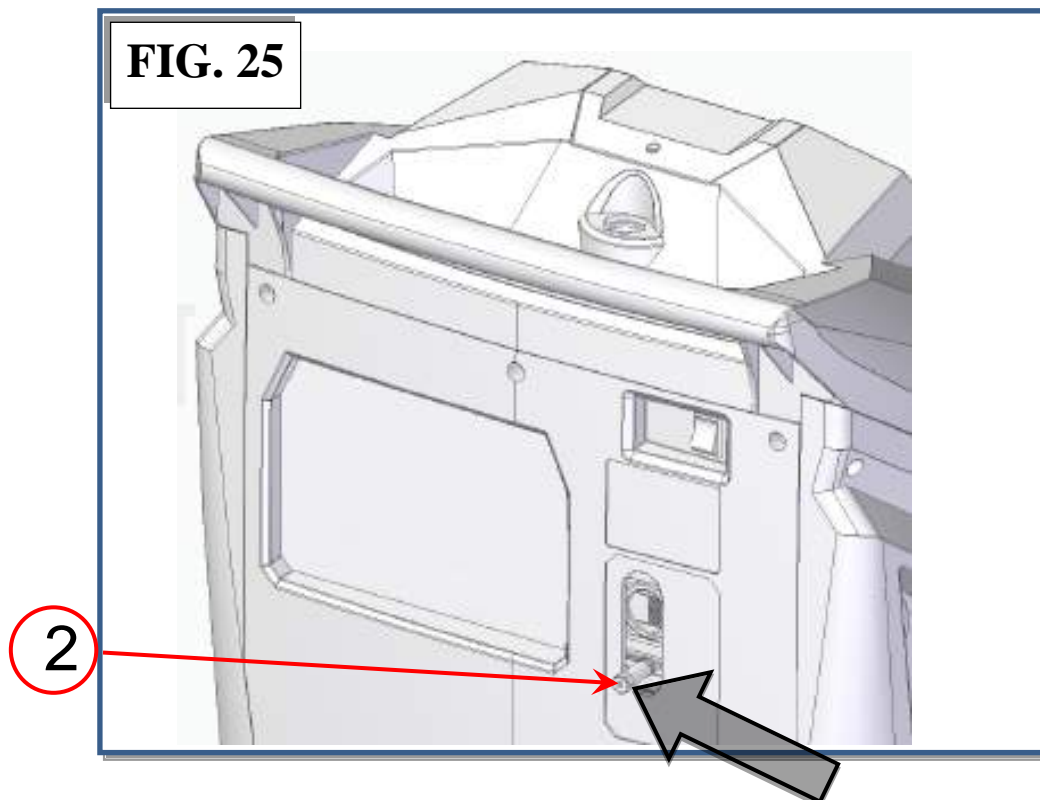


4) Dévisser le bouchon de vidange (réf. 2, Fig. 24).

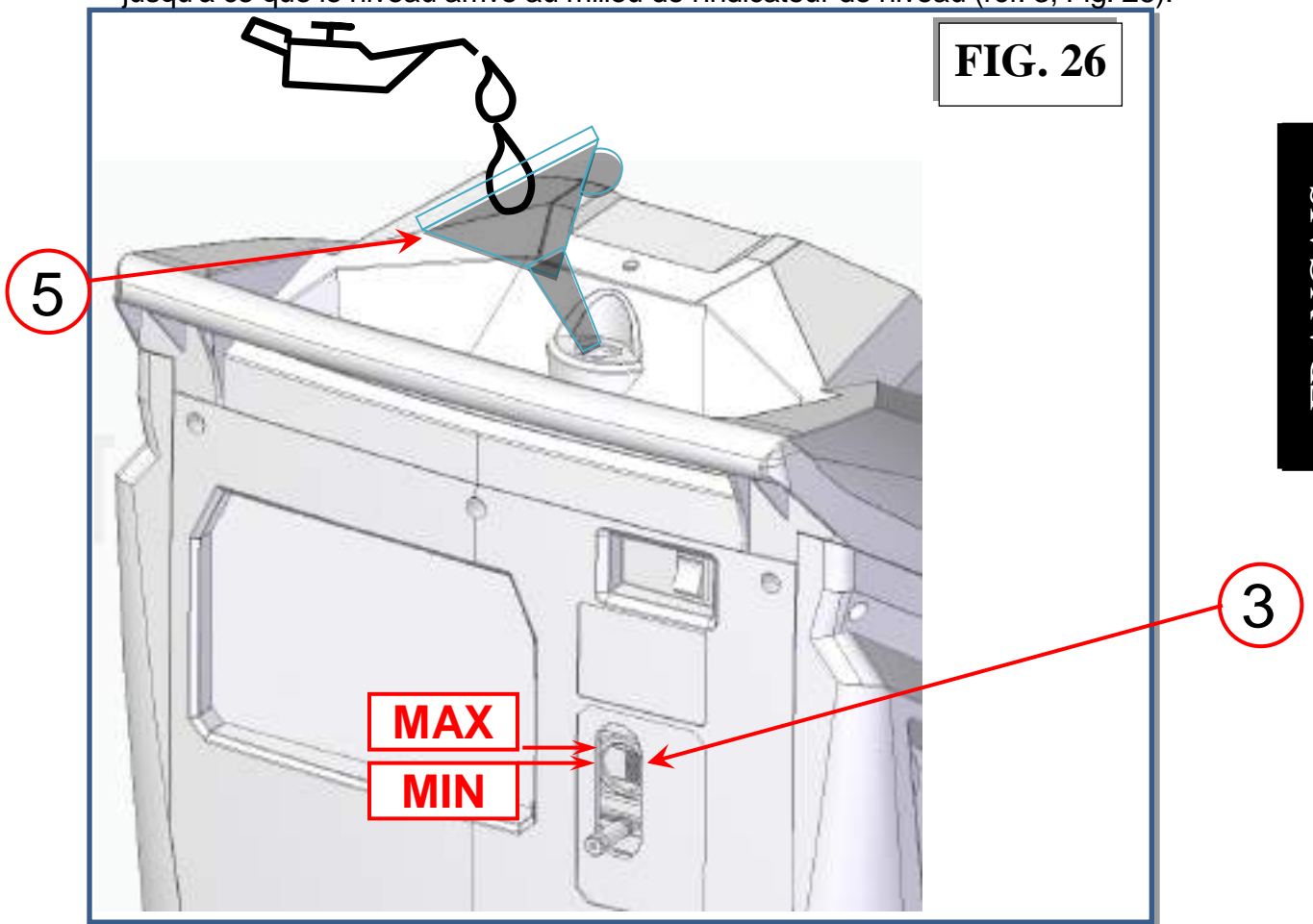


Laisser toute l'huile s'écouler dans un récipient à déchet (réf. 4, Fig. 24) (avec hauteur < 10 cm).

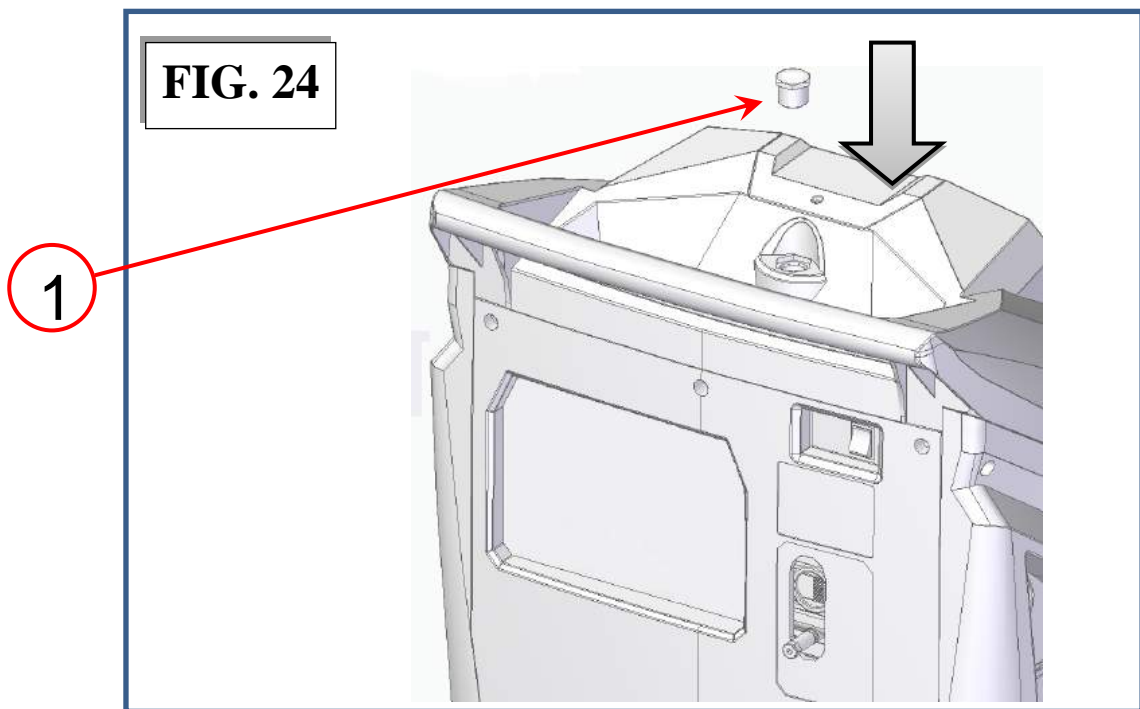
5) Fermer le bouchon de vidange (réf. 2, Fig. 25).



- 6) Verser l'huile neuve par le trou de remplissage à l'aide d'un entonnoir (réf. 5, Fig. 26) jusqu'à ce que le niveau arrive au milieu de l'indicateur de niveau (réf. 3, Fig. 26).



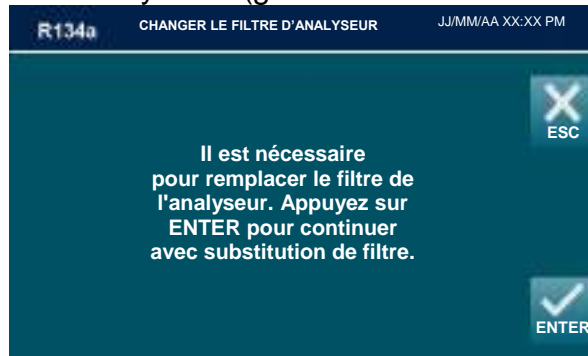
- 7) Remettre en place le bouchon de remplissage (réf. 1, Fig. 24) et serrer.



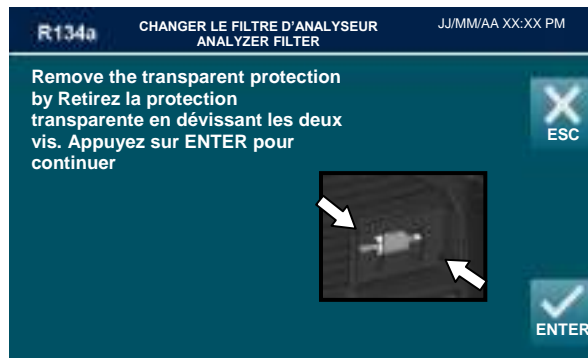
CHANGER LE FILTRE D'ANALYSEUR (ECO NEXT ONE HFO uniquement)

REMARQUE: Portez des gants et des lunettes de protection

Le filtre de l'analyseur de gaz doit être remplacé lorsque la machine visualise le message d'alarme «changer le filtre de l'analyseur» (généralement toutes les 150 analyses).



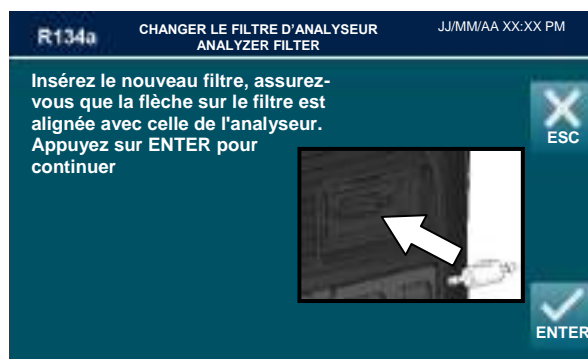
Appuyez sur ENTER pour procéder à la substitution du filtre, l'écran suivant sera affiché:



Retirez la protection transparente en dévissant les deux vis. Appuyez sur ENTER pour continuer, l'écran suivant s'affichera:



Retirez le filtre. Appuyez sur ENTER pour continuer, l'écran suivant s'affichera:



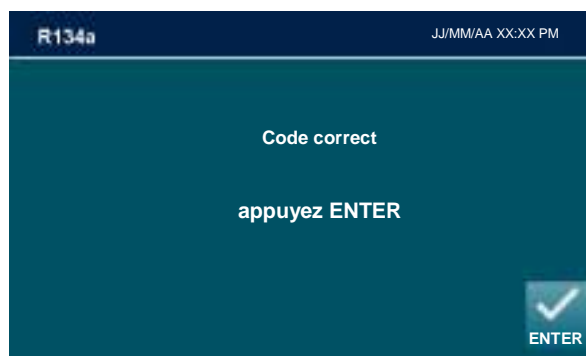
Insérez le nouveau filtre, assurez-vous que la flèche sur le filtre est alignée avec celle de l'analyseur. Appuyez sur ENTER pour continuer, l'écran suivant s'affichera:



Repositionnez la protection transparente en vissant les deux vis. Appuyez sur ENTER pour continuer, l'écran suivant s'affichera:




Tapez le CODE DE RÉINITIALISATION dans la boîte de filtres de paire de rechange, puis appuyez sur ENTRÉE pour continuer, l'écran suivant s'affiche:



RESET ANALYZER FILTER COUNTER est maintenant terminé avec succès, appuyez sur ENTER pour quitter.

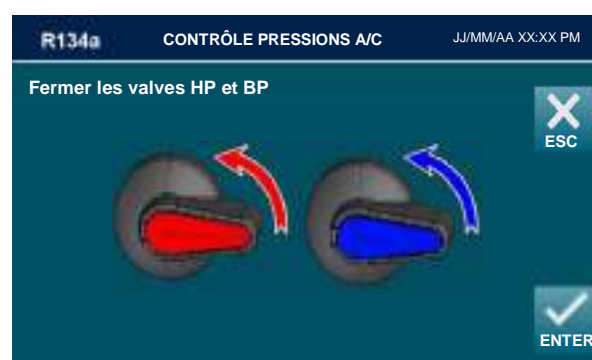
REMARQUE: le non-remplacement des filtres peut entraîner des dommages d'huile sur l'analyseur et l'annulation de la garantie.

CONTRÔLE PRESSIONS A/C

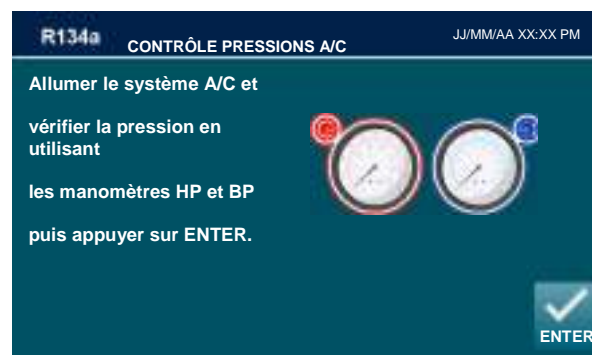
À partir de MAINTENANCE, défiler jusqu'à la page 2 à l'aide de la flèche  et sélectionner CONTRÔLE PRESSIONS A/C, l'écran suivant s'affiche :



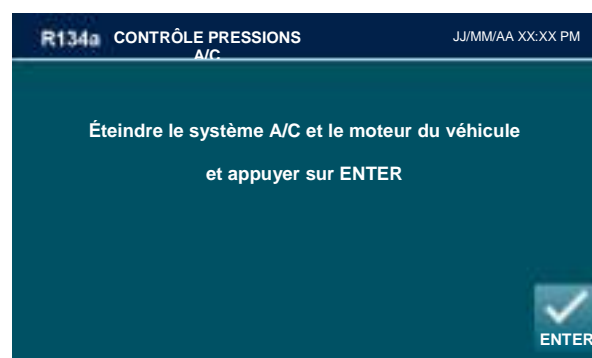
Connecter et ouvrir le raccord connecté au système A/C, puis appuyer sur ENTER et sur ESC pour revenir en arrière ; l'écran suivant s'affiche :



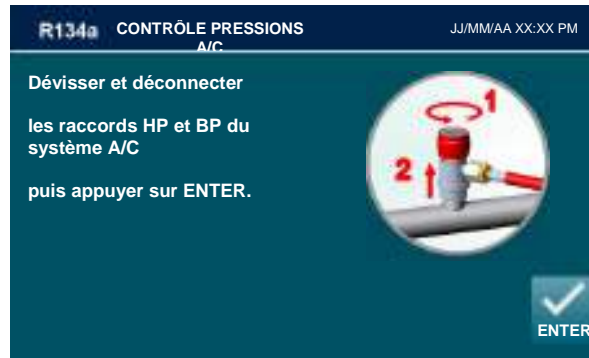
Fermer les valves HP et BP. Appuyer sur ENTER.



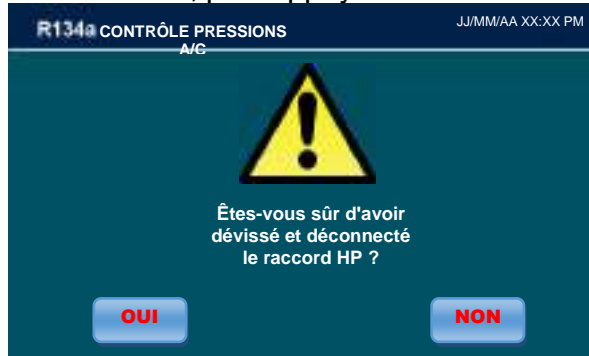
Allumer le système A/C et vérifier la pression en utilisant les manomètres HP et BP puis appuyer sur ENTER :



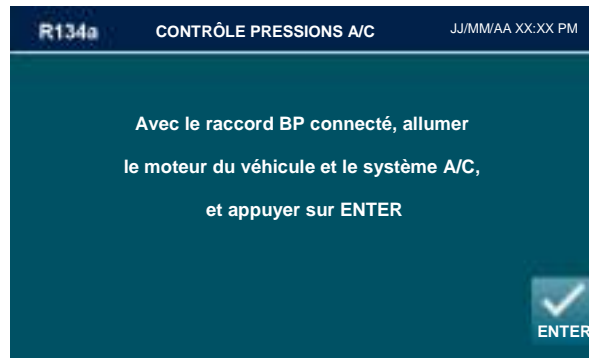
Éteindre le système A/C et le moteur du véhicule puis appuyer sur ENTER :



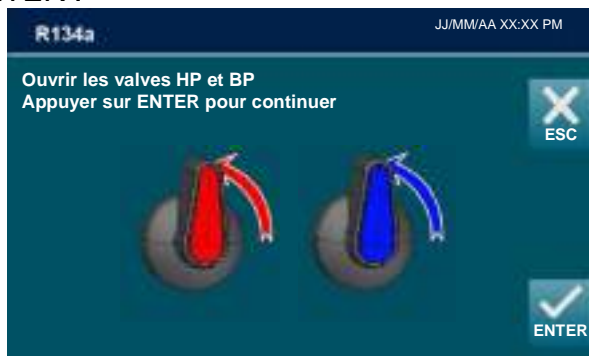
Dévisser et déconnecter le raccord HP, puis appuyer sur ENTER :



Appuyer sur YES pour confirmer :



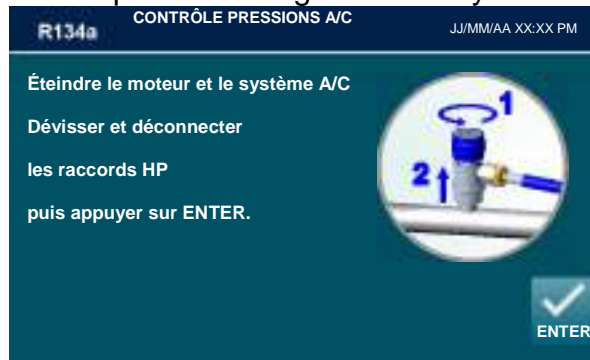
Avec le raccord LP connecté, mettre en marche le moteur du véhicule ainsi que le système A/C puis appuyer sur ENTER :



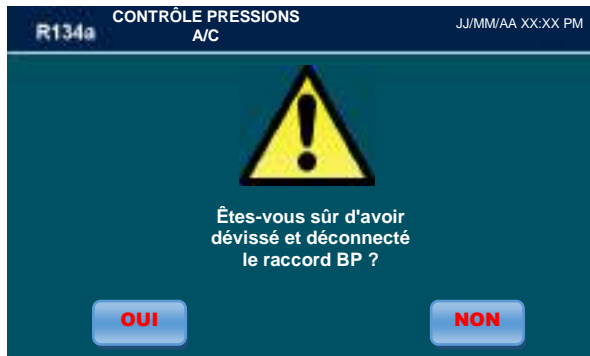
Ouvrir les valves HP et BP. Appuyer sur ENTER pour continuer :



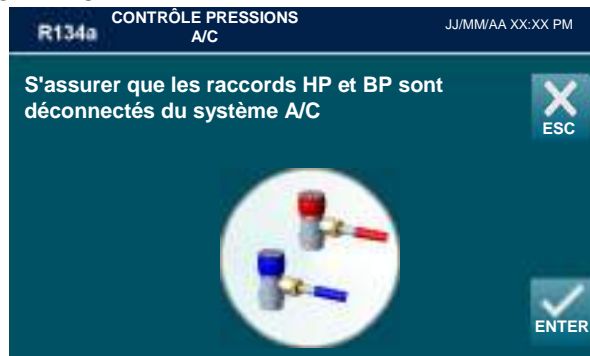
Le système A/C du véhicule récupérera le réfrigérant des tuyaux de service, puis :



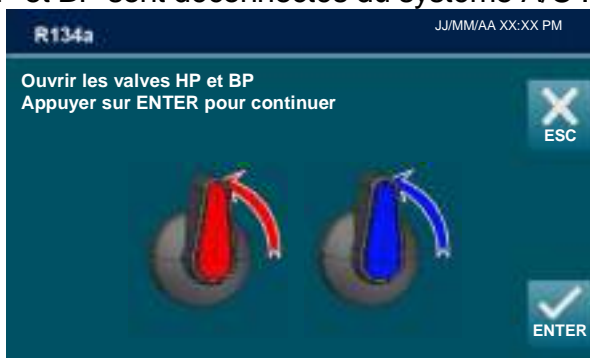
Éteindre le moteur et le système A/C, dévisser le raccord BP sans le déconnecter et appuyer sur OK :



Appuyer sur YES pour confirmer :



Vérifier si les raccords HP et BP sont déconnectés du système A/C :



Ouvrir les valves HP et BP. Appuyer sur ENTER pour continuer :




La machine récupérera le liquide réfrigérant dans les tuyaux de service et l'écran suivant s'affichera :

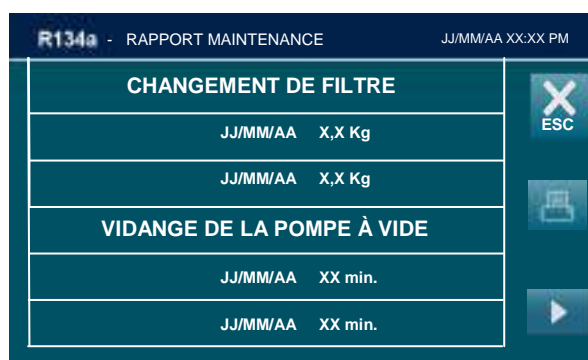


Déconnecter les raccords du système A/C, appuyer sur ESC pour revenir au MENU MAINTENANCE ; CONTRÔLE PRESSIONS A/C est achevé avec succès.

RAPPORT DE MAINTENANCE


La machine garde une trace des opérations de maintenance effectuées.

À partir de MAINTENANCE, défiler jusqu'à la page 2 à l'aide de la flèche  et sélectionner RAPPORT DE MAINTENANCE, l'écran suivant s'affiche :

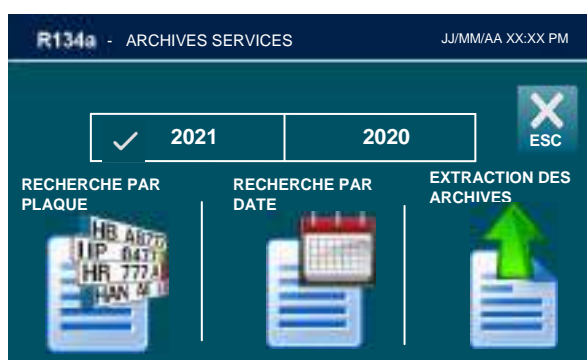


ARCHIVES SERVICES

La machine conserve la trace des opérations effectuées sur le liquide réfrigérant : récupération, remplissage du système, remplissage du réservoir interne. Chaque opération est enregistrée avec la date, l'heure et le type d'opération, les quantités concernées, le n° de l'opérateur et la disponibilité en fluide réfrigérant du réservoir interne.

À partir de MAINTENANCE, défiler jusqu'à la page 2 à l'aide de la flèche  et sélectionner DIAGNOSTIC STATIQUE

l'écran suivant s'affiche:

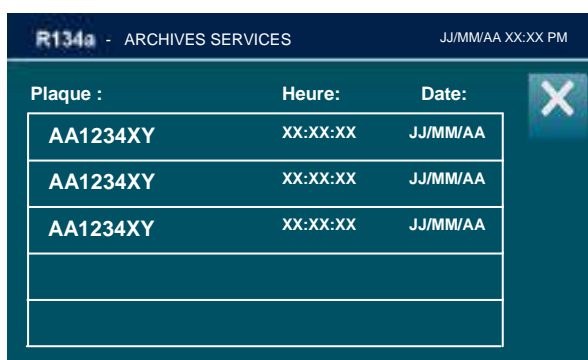


RECHERCHE PAR PLAQUE

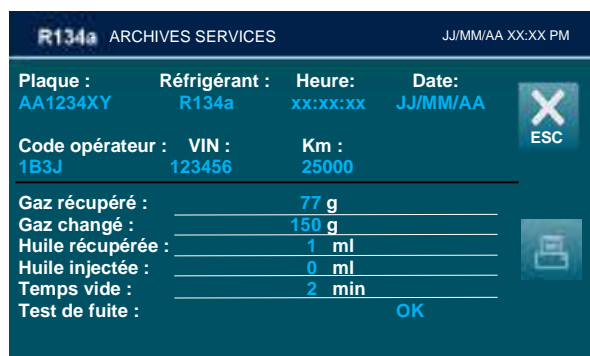
Sélectionner la RECHERCHE PAR PLAQUE, l'écran suivant s'affiche:




Utiliser le clavier pour entrer le numéro de plaque à rechercher puis appuyer sur ENTER :



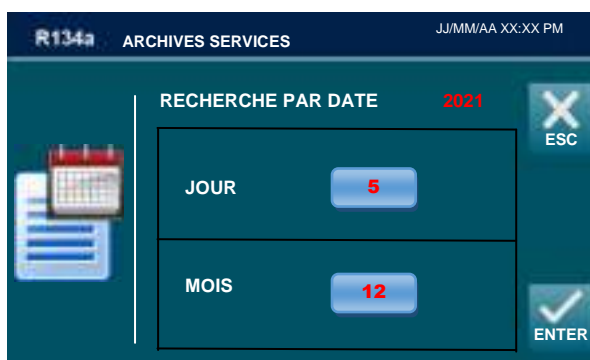
Une liste s'affiche, sélectionner le service pour avoir de plus amples informations:



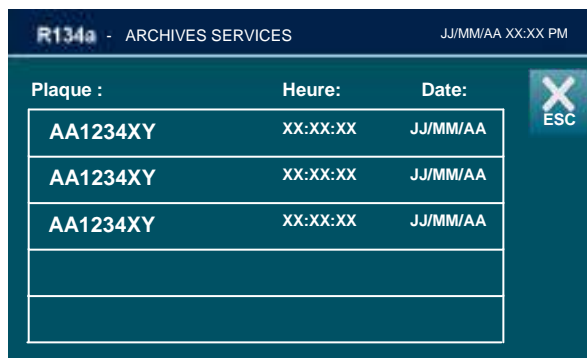
Appuyer sur  pour imprimer le rapport du service ou appuyer sur ESC pour revenir au menu précédent.

RECHERCHE PAR DATE

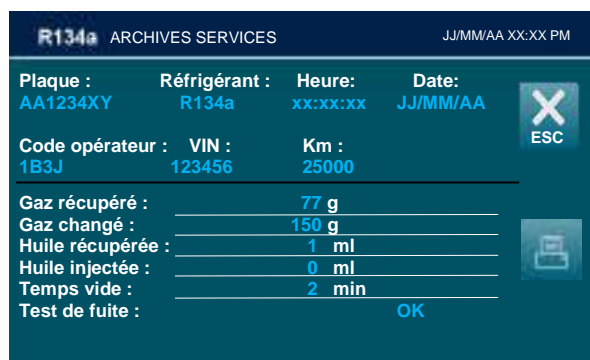
Sélectionner la RECHERCHE PAR DATE, l'écran suivant s'affiche:




Entrer la date à rechercher puis appuyer sur ENTER:



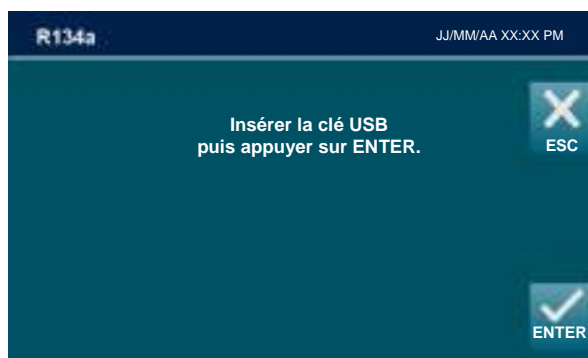
Une liste s'affiche, sélectionner le service pour avoir de plus amples informations:



Appuyer sur  pour imprimer le rapport du service ou appuyer sur ESC pour revenir au menu précédent.

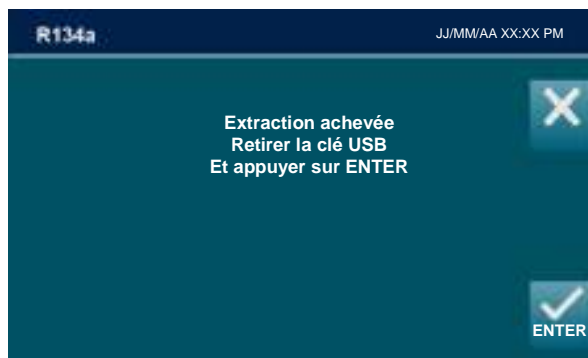
EXTRACTION DES ARCHIVES

Sélectionner EXTRAIRE ARCHIVES, l'écran suivant s'affichera :



Enfiler le dispositif de stockage (FAT32, 256mb min.) dans le port USB et appuyer sur OK, pour sauvegarder pour copie un fichier CSV avec toutes les opérations sur la clé USB.


L'écran suivant s'affiche pendant quelques secondes:



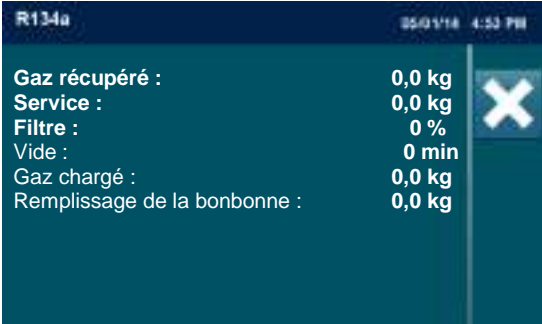
L'extraction est maintenant achevée, la machine revient au menu précédent


COMPTEURS

On utilise ce menu pour contrôler l'ensemble des COMPTEURS de : gaz récupéré, compteurs d'alarme service, nombre total de minutes de vide, gaz injecté, gaz récupéré à l'intérieur du réservoir avec la fonction de remplissage du réservoir.

À partir de MAINTENANCE, défiler jusqu'à la page 2 à l'aide de la flèche  et sélectionner DIAGNOSTIC STATIQUE

l'écran suivant s'affiche:



R134a		05/01/14 4:53 PM
Gaz récupéré :	0,0 kg	
Service :	0,0 kg	
Filtre :	0 %	
Vide :	0 min	
Gaz chargé :	0,0 kg	
Remplissage de la bonbonne :	0,0 kg	

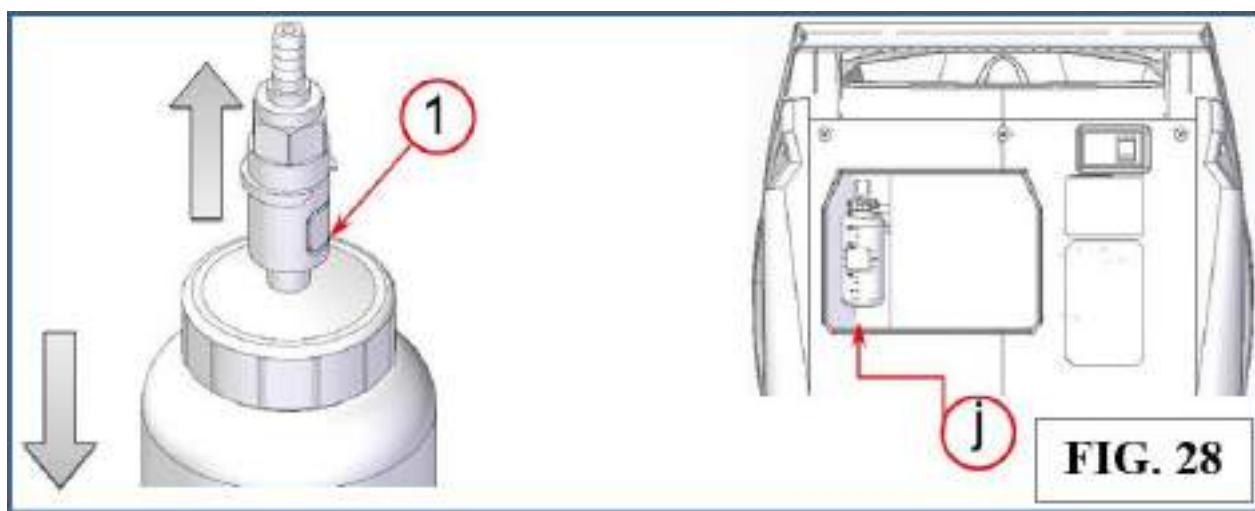
Cet écran affiche les valeurs totales de: gaz récupéré, COMPTEURS alarme service, temps total vide (minutes), gaz injecté, gaz récupéré dans le réservoir interne.

REPLISSAGE DU NOUVEAU RÉCIPIENT D'HUILE RECHARGEABLE (ECO NEXT ONE uniquement)

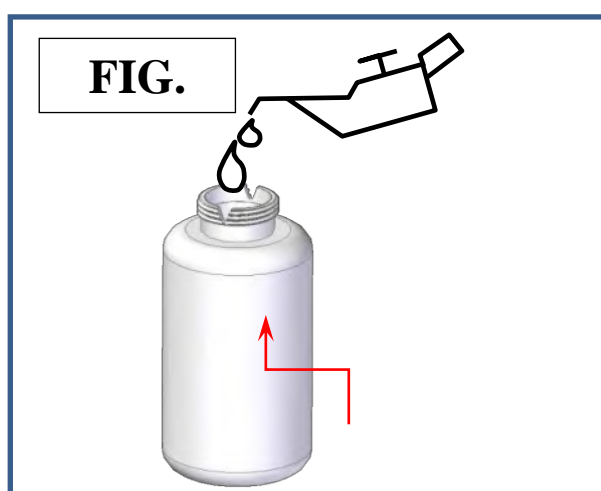
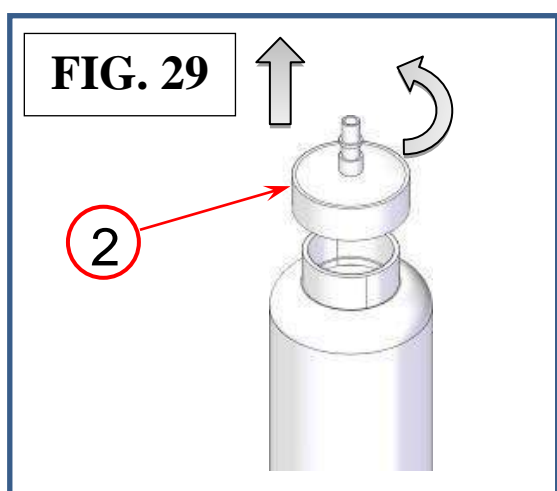
Types d'huile : n'utiliser que les huiles recommandées par le fabricant ou le constructeur automobile. Consulter toujours les informations du fabricant du système A/C. Ne jamais utiliser d'huile usée.

Procédure :

1. Appuyer sur le bouton à connexion rapide (réf. 1, Fig. 28) pour débrancher le récipient de l'HUILE (réf. j, Fig. 28).
2. Retirer le récipient de son logement



3. Tenir le récipient et dévisser le bouchon (réf. 2, Fig. 29). Remplir le récipient (Fig. 30) avec la bonne quantité (environ 250-260 ml) d'huile pour compresseurs, du type et du degré adéquats.



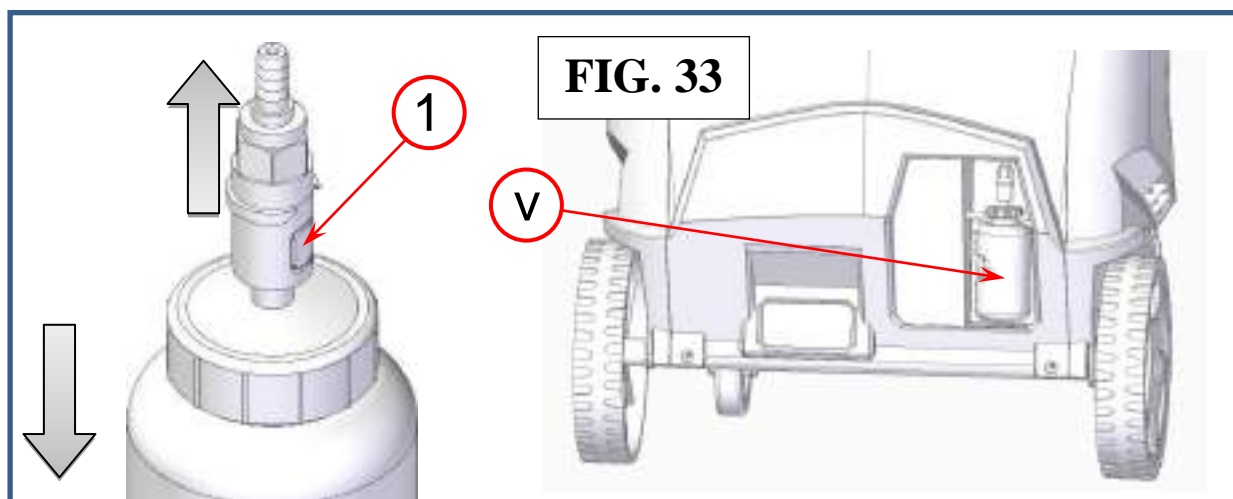
REMARQUE : pour réduire l'humidité et la contamination de l'huile neuve par l'air, le récipient démontable doit presque être rempli jusqu'au bord.

4. Revisser le bouchon (réf 2, Fig. 30) dans le récipient.
5. Remettre le récipient en place et l'accrocher à la connexion rapide en veillant à ne pas forcer sur la balance afin de ne pas l'endommager.

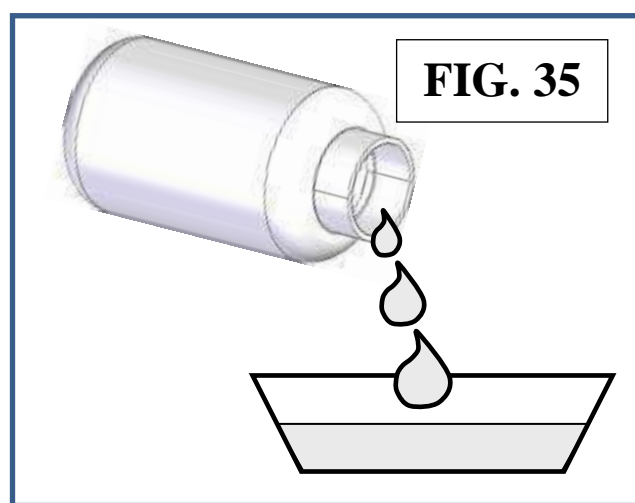
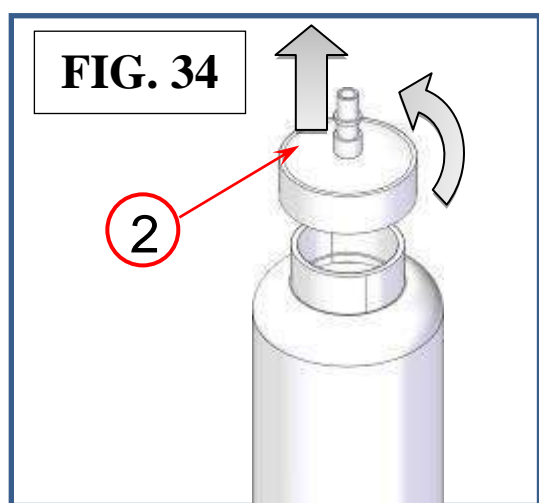
VIDANGE DU RESERVOIR DE L'HUILE USÉE

Procédure :

1. Appuyer sur le bouton de connexion rapide (réf. 1, Fig. 32) pour déconnecter le récipient d'huile usée.
2. Soulever le récipient d'huile usée hors de son logement (réf. n, Fig. 32) sans forcer sur la balance.



3. Dévisser le couvercle (réf. 2, Fig. 33) tout en tenant le récipient, vider l'huile usée dans un récipient de collecte des huiles usées (Fig. 34).



4. Revisser le bouchon dans le conteneur.
5. Remettre le récipient en place et l'accrocher à la connexion rapide en veillant à ne pas forcer sur la balance afin de ne pas l'endommager.

REMARQUE : Afin d'éviter des dommages à la balance de l'huile, ne jamais exercer de pression sur celle-ci ni par dessus que par le bas.

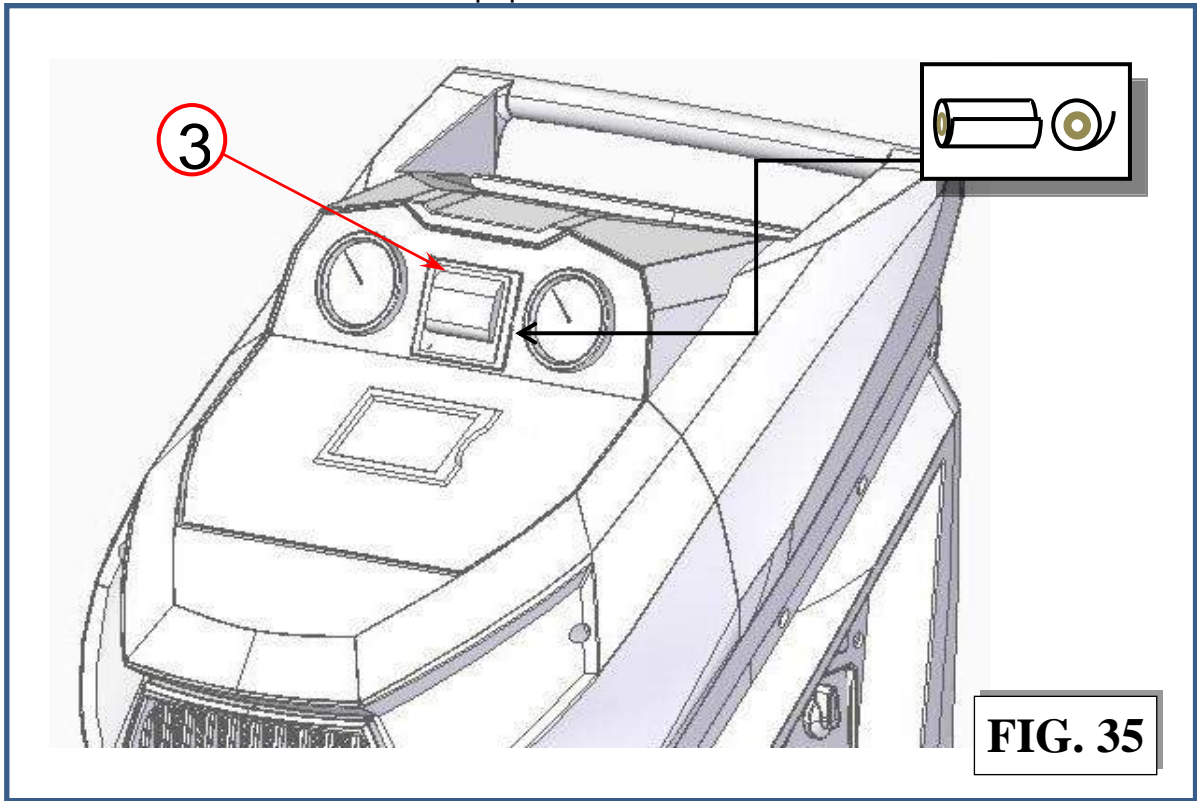
REPLACEMENT DU PAPIER DE L'IMPRIMANTE

Ouvrir le couvercle de l'imprimante (réf. 3, Fig. 35) et mettre un rouleau de papier neuf à la place du vieux.

N'utiliser que du papier sensible à la chaleur du type décrit ci-dessous.

Largeur du papier : 58 mm

Diamètre maximum du rouleau de papier : 40mm

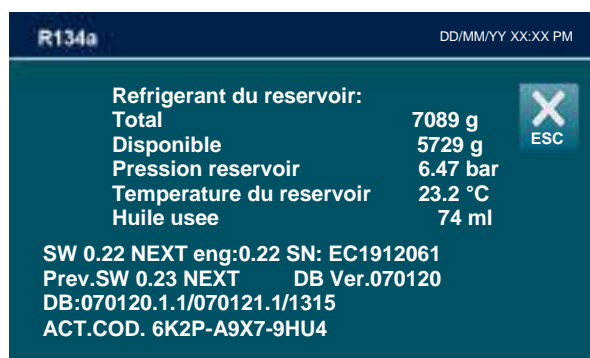


DONNÉES

Ce menu affiche toutes les données lues par la machine. À partir du MENU PRINCIPAL :



Appuyer sur la touche « i »  et l'écran suivant s'affiche :



- Réfrigérant du réservoir :
 - o Total : quantité totale de réfrigérant dans le réservoir de stockage.
 - o Disponible : quantité de réfrigérant disponible dans le réservoir de stockage

Pression du réservoir: pression interne du réservoir

- Température du réservoir : température du réservoir de stockage du réfrigérant.
- HUILE : quantité d'HUILE dans les récipients d'HUILE.
- SW V. : Version Logiciel.

Appuyer sur  pour revenir au MENU PRINCIPAL.

RÉSUMÉ DES CODES

Code OPTION : 43210791

