

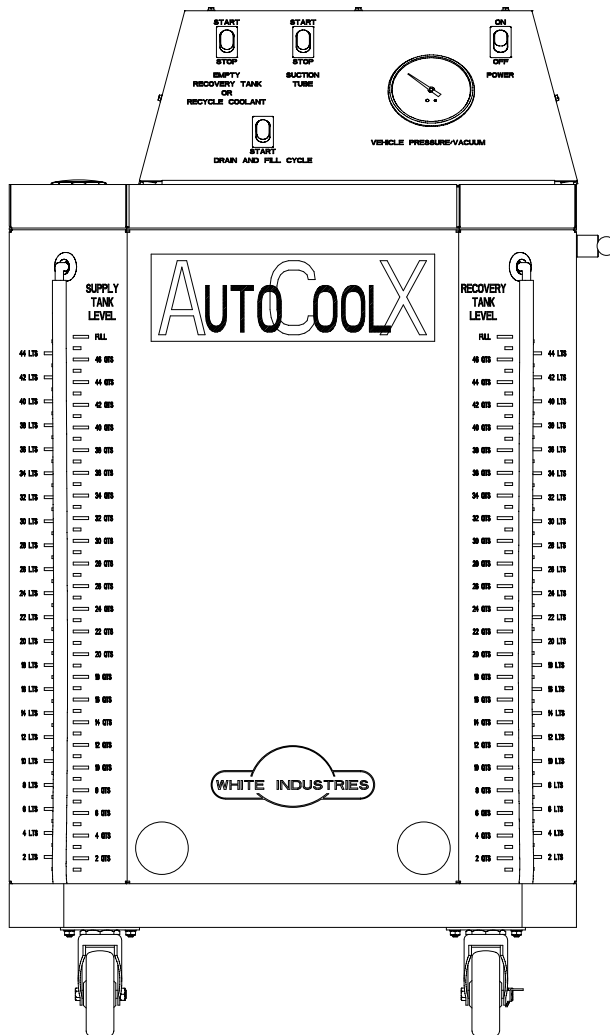
EQUIPMENT SERVICE ON SITE



DF2000

EESE502A

Parts Reference Manual



November, 2003

All information contained or disclosed in this document is considered confidential and proprietary by Snap-on Tools Company. All manufacturing, use, reproduction, and sales rights are reserved by Snap-on Tools Company and the information contained herein shall not be used in whole or in part without the express written consent of Snap-on Tools Company.

PARTS

This document describes the replacement parts for the DF2000. Listed are all the parts needed to repair common failures. The Parts document is divided into 3 different sections; Parts by Pictorial, Parts in Alphabetical order, and Parts in Numerical order.

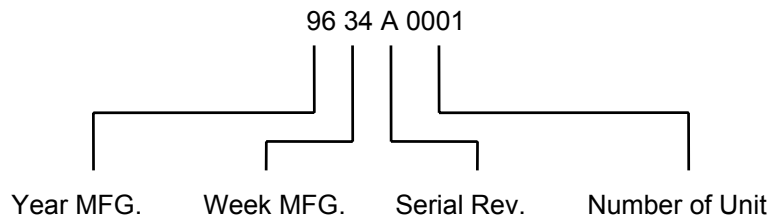
Some of the parts listed in this chapter fall under the category of Production Parts. Production Parts are not normally made immediately available for field orders, but in most cases, they can be obtained. Examples of Production Parts are sheet metal parts, wiring harnesses, etc.

If a Production part is required, it must be ordered through normal channels, however, the order will be verified by the Parts Department before it is built and shipped. You will be notified of the parts availability, as well as the lead-time required to fill the order. **Production Parts will require time for delivery due to the part having to be built before it is shipped.**

SERIAL NUMBER DESCRIPTION

The Serial Number is located on the bottom, right rear of the DF2000.

For Example:



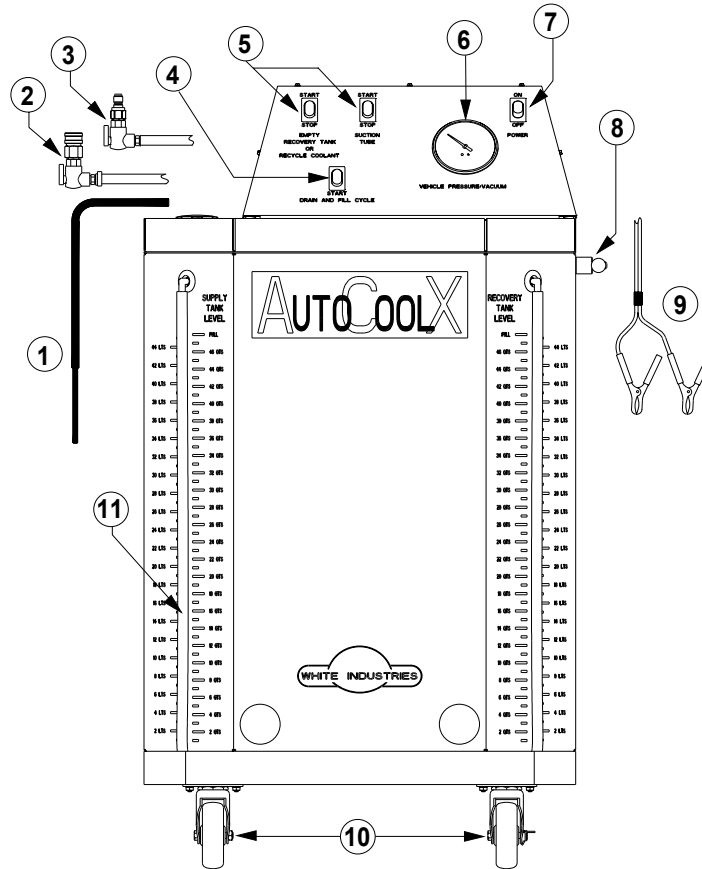
ABBREVIATION KEY:

Throughout this Parts document, several abbreviations may be used. Refer to the explanations below.

- NS:** NOT SHOWN IN PICTORIAL
- WH:** WIRING HARNESS
- WA:** WELDED ASSEMBLY
- PP:** PRODUCTION PART

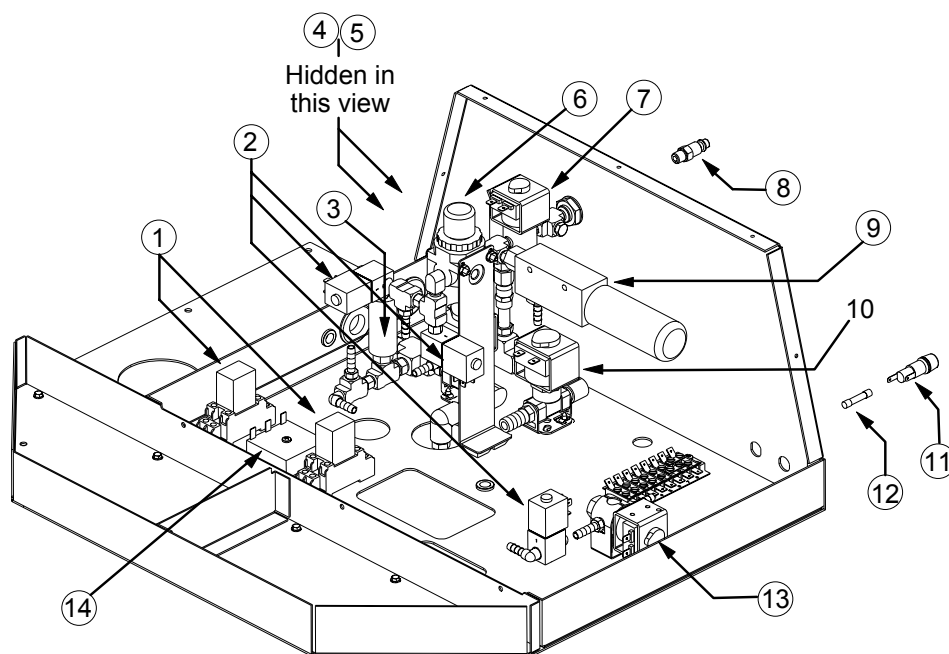
PARTS BY PICTORIAL

FRONT VIEW



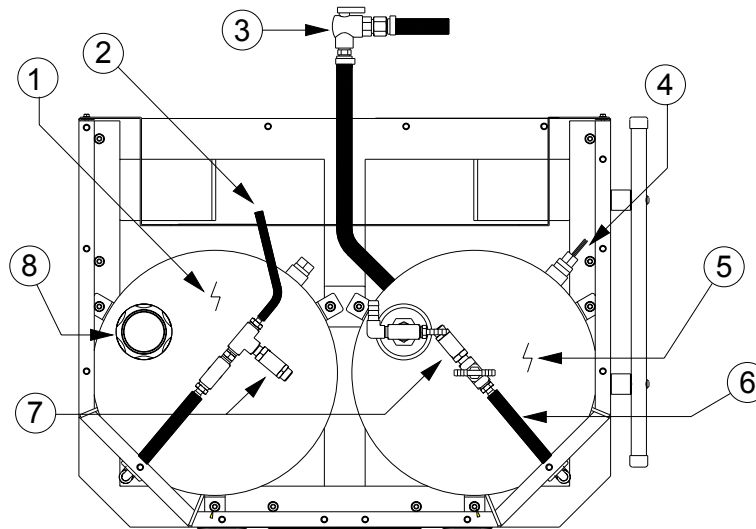
ITEM	PART NUMBER	DESCRIPTION
1	5-4435-240	Tubing, Nylon, 1/4" OD x 24", Suction Tube
1a	5W3335-600	Tubing, 1/4" ID x 60", Tubing to Suction Tube
2	EAA0196L23A	Hose Assembly, Fill
2a	8-8181	Valve, 90° ball
3	EAA0196L24B	Hose Assembly, Drain
3a	Same as 2a	Same as 2a
4	2-10758	Switch, Start Drain and Fill Cycle
5	2-10658	Switch, Empty Recovery Tank / Suction Tube
6	EAA0195L20A	Gauge Assembly
7	2-10558	Switch, Power
8	EAS2009L17A	Handle Assembly
9	EAA0196L26A	Lead Assembly, Battery
10	3645-0056-01	Caster, 4"
10a	3645-0056-02	Caster, 4", with Brake
11	5-4535-343	Tubing, 3/8" ID x 34-1/4", Sight Tube
NS	1-26080	Recovery Filter Assembly
NS	1-23680	Suction Filter Assembly
NS	01096140-SP	Hanger, Hose

UPPER CABINET



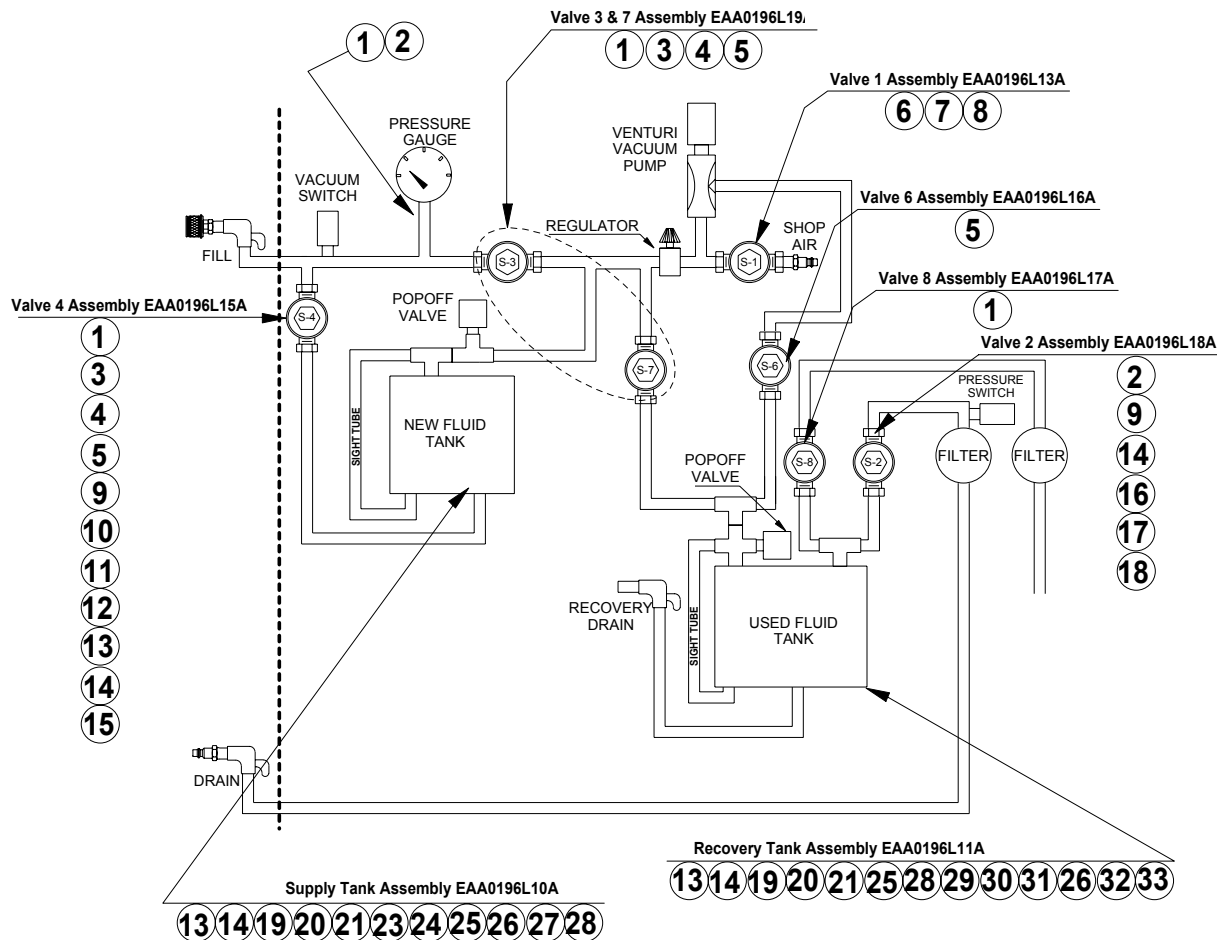
ITEM	PART NUMBER	DESCRIPTION
1	2-6437	Relay
2	1-7281	Solenoid Valve, S3, S7, S8
3	1-8381	Switch, Vacuum, 17 in. Hg
4	1-9081	Switch, Pressure, 5-10 PSI (9 nominal)
5	1-7381	Solenoid Valve, S4
6	1-8581	Regulator
7	1-7481	Solenoid Valve, S1
8	A7673A	Connector, Male, Air Supply
9	1-7681	Venturi Vacuum Pump
10	1-7581	Solenoid Valve, S2
11	2-10151	Fuse Holder
12	2-4851	Fuse, 4 amp, Slow-blow
13	1-7181	Solenoid Valve, S6
14	2-6737	Switch, Time Delay
NS	EAA0196L28A	Diode Assembly
NS	EAW0226L00A	Wire Harness Assembly

LOWER CABINET



<u>ITEM</u>	<u>PART NUMBER</u>	<u>DESCRIPTION</u>
1	1-2285	Tank
2	5W3335-090	Tubing, 1/4" ID x 9"
3	EAA0196L25A	Hose Assembly, Drain Used Fluid Tank
4	EAA0196L27A	Switch Assembly, Level
5	1-2285	Tank
6	5-4535-053	Tubing, 3/8" ID x 5 1/4"
7	1-8282	Valve, Pressure Relief, 15 PSI
8	1-23380	Cap, Fill

PLUMBING FITTINGS



NOTE: COMPLETE ASSEMBLIES WILL NOT BE AVAILABLE; THEY APPEAR HERE ONLY FOR REFERENCE. COMMON FITTINGS ARE NORMALLY OBTAINED LOCALLY AND SPECIAL, AS WELL AS COMMON FITTINGS ARE REPLACED SO RARELY THAT THESE PARTS WILL NOT BE STOCKED UNTIL THE FIRST ORDER.

ITEM	DESCRIPTION	PART NUMBER	ITEM	DESCRIPTION	PART NUMBER
1	Fitting, 90° Barb	1-5679	18	Pressure Snubber	1-24580
2	Coupling, 1/8NPT	1-9880	19	Tee, Male Branch 3/8NPT	1-22580
3	Nipple, Hex, 1/8NPT	1-4280	20	Barb, 3/8NPT x 3/8 Barb	1-4079
4	Tee	0647-0209-01	21	Barb, 3/8NPT x 1/2 Barb	1-4179
5	Hose Barb, 1/8 NPT x 1/4	1-5479	23	Plug, 1/2NPT Square	1-24680
6	Fitting, Bulkhead	1-24980	24	Nipple, Close, 1/4NPT	1-1080
7	Nipple, Close, 1/8NPT	1-19980	25	Barb, 1/4NPT x 1/4 Barb	1-5579
8	Tee, Street, 1/8NPT	1-5880	26	Barb, 1/4NPT x 3/8 Barb	1-5379
9	Hose Barb, 1/4NPT x 1/2	1-4379	27	Nipple, 2"NPT x 4" long	1-23480
10	Elbow, 90°, 1/4NPT	1-1280	28	Clamp, Hose	1-2282
11	Nipple, 1/4NPT x 2" long	1-8880	29	Barb, 1/4NPT x 1/2 Hose	1-4979
12	Elbow, 90°Street 1/4NPT	0647-0083	30	Tee, 1/4NPTF	1-23180
13	Nipple, Hex, 1/4NPT	1-2280	31	Tee, Male Branch, 1/4 hose / 1/4NPT	1-6079
14	Tee, 1/4NPT	1-22880	32	Bushing	1-22780
15	Adaptor, 1/4NPTx1/8NPT	1-24780	33	Bushing, 1/2NPTx1/4NPTF	1-22680
16	Bushing, 1/4NPTx1/8NPT	1-1680			
17	Nipple, 1/8NPTx1-1/2"	1-13480			

PARTS IN ALPHABETIC ORDER

DESCRIPTION	PART NUMBER	COMMENTS
Adapter, Female, 1"	EAA0195L09A	Adapts DF2000 to vehicle
Adapter, Female, 1-1/2"	EAA0195L12A	Adapts DF2000 to vehicle
Adapter, Female, 1-1/4"	EAA0195L10A	Adapts DF2000 to vehicle
Adapter, Female, 1-3/4"	EAA0195L13A	Adapts DF2000 to vehicle
Adapter, Female, 1-3/8"	EAA0195L11A	Adapts DF2000 to vehicle
Adapter, Male, 1"	EAA0195L14A	Adapts DF2000 to vehicle
Adapter, Male, 1-1/2"	EAA0195L17A	Adapts DF2000 to vehicle
Adapter, Male, 1-1/4"	EAA0195L15A	Adapts DF2000 to vehicle
Adapter, Male, 1-3/4"	EAA0195L18A	Adapts DF2000 to vehicle
Adapter, Male, 1-3/8"	EAA0195L16A	Adapts DF2000 to vehicle
Adaptor, 1/4NPTx1/8NPT	1-24780	Page 5, item 15
Barb, 1/4NPT x 1/4 Barb	1-5579	Page 5, item 25
Barb, 1/4NPT x 1/2 Hose	1-4979	Page 5, item 29
Barb, 1/4NPT x 3/8 Barb	1-5379	Page 5, item 26
Barb, 3/8NPT x 1/2 Barb	1-4179	Page 5, item 21
Barb, 3/8NPT x 3/8 Barb	1-4079	Page 5, item 20
Bushing	1-22780	Page 5, item 32
Bushing, 1/4NPTx1/8NPT	1-1680	Page 5, item 16
Bushing, 1/2NPTx1/4NPTF	1-22680	Page 5, item 33
Cap, Fill	1-23380	Caps New Fluid Tank
Caster, 4"	3645-0056-01	For rolling DF2000
Caster, 4", with Brake	3645-0056-02	For not rolling DF2000
Clamp, Hose	1-2282	Page 5, item 28
Connector, Male, Air Supply	A7673A	Connects shop air to DF2000
Coupling, 1/8NPT	1-9880	Page 5, item 2
Diode Assembly	EAA0196L28A	Diodes, 400 PIV
Elbow, 90°, 1/4NPT	1-1280	Page 5, item 10
Elbow, 90°Street 1/4NPT	0647-0083	Page 5, item 12
Filter Assembly	1-23680	Suction Wand Filter Assembly
Filter Assembly	1-26080	Recovery Filter Assembly
Fitting, 90° Barb	1-5679	Page 5, item 1
Fitting, Bulkhead	1-24980	Page 5, item 6
Fuse Holder	2-10151	Holds Fuse
Fuse, 4 amp, Slow-blow	2-4851	Used for circuit overload protection
Gauge Assembly	EAA0195L20A	Pressure and vacuum
Handle Assembly	EAS2009L17A	On side of DF2000
Hanger, Hose	01096140-SP	Page 2, item not shown
Hose Assembly, Drain	EAA0196L24B	Complete assembly
Hose Assembly, Drain Used Fluid Tank	EAA0196L25A	Complete assembly
Hose Assembly, Fill	EAA0196L23A	Complete assembly
Hose Barb, 1/4NPT x 1/2	1-4379	Page 5, item 9
Hose Barb, 1/8 NPT x 1/4	1-5479	Page 5, item 5
Lead Assembly, Battery	EAA0196L26A	Provides 12 VDC power to DF2000
Nipple, 1/4NPT x 2" long	1-8880	Page 5, item 11
Nipple, 1/8NPTx1-1/2"	1-13480	Page 5, item 17
Nipple, 2"NPT x 4" long	1-23480	Page 5, item 27
Nipple, Close, 1/4NPT	1-1080	Page 5, item 24
Nipple, Close, 1/8NPT	1-19980	Page 5, item 7
Nipple, Hex, 1/4NPT	1-2280	Page 5, item 13
Nipple, Hex, 1/8NPT	1-4280	Page 5, item 3
Pliers, Hose Pinch	YA965	Used to clamp hoses closed
Plug, 1/2NPT Square	1-24680	Page 5, item 23
Pressure Snubber	1-24580	Page 5, item 18

Regulator	1-8581	Use to adjust air pressure (10 PSI)
Relay	2-6437	For either K1 or K2
Solenoid Valve, S1	1-7481	Electromechanical fluid valve
Solenoid Valve, S2	1-7581	Electromechanical fluid valve
Solenoid Valve, S3, S7, S8	1-7281	Electromechanical fluid valve
Solenoid Valve, S4	1-7381	Electromechanical fluid valve
Solenoid Valve, S6	1-7181	Electromechanical fluid valve
Switch Assembly, Level	EAA0196L27A	Detects Max. fluid level in Used Fluid Tank
Switch, Empty Recovery Tank / Suction Tube	2-10658	Front panel switch
Switch, Power	2-10558	Front panel switch
Switch, Pressure, 5-1- PSI	1-9081	Opens at 5-10 (generally 9) PSI
Switch, Start Drain and Fill Cycle	2-10758	Front panel switch
Switch, Time Delay	2-6737	Closes for 2 min. under power then opens
Switch, Vacuum, 17 in. Hg	1-8381	Opens at 17 in. Hg
Tank	1-2285	Used for either fluid tanks
Tee	0647-0209-01	Page 5, item 4
Tee, 1/4NPT	1-22880	Page 5, item 14
Tee, 1/4NPTF	1-23180	Page 5, item 30
Tee, Male Branch 3/8NPT	1-22580	Page 5, item 19
Tee, Male Branch, 1/4 hose / 1/4NPT	1-6079	Page 5, item 31
Tee, Street, 1/8NPT	1-5880	Page 5, item 8
Tubing, 1/4" ID x 60", Tubing to Suction Tube	5W3335-600	Connects Suction Tube to DF2000
Tubing, 1/4" ID x 9"	5W3335-090	From New Fluid Tank to Upper Cabinet
Tubing, 3/8" ID x 34-1/4", Sight Tube	5-4535-343	Used to sight fluid level in tank
Tubing, 3/8" ID x 5 1/4"	5-4535-053	From Tank to Sight Tube
Tubing, Nylon, 1/4" OD x 24", Suction Tube	5-4435-240	Used to draw fluid from reservoirs
Valve, 90° ball	8-8181	Page 2, item 2a
Valve, Pressure Relief, 15 PSI	1-8282	Pop-off valve, limits pressure to 15 PSI
Venturi Vacuum Pump	1-7681	Creates vacuum using air pressure
Wire Harness Assembly	EAW0226L00A	Complete wiring harness

PARTS IN NUMERIC ORDER

PART NUMBER	DESCRIPTION	COMMENTS
01096140-SP	Hanger, Hose	Page 2, item not shown
0647-0083	Elbow, 90° Street 1/4NPT	Page 5, item 12
0647-0209-01	Tee	Page 5, item 4
1-1080	Nipple, Close, 1/4NPT	Page 5, item 24
1-1280	Elbow, 90°, 1/4NPT	Page 5, item 10
1-13480	Nipple, 1/8NPTx1-1/2"	Page 5, item 17
1-1680	Bushing, 1/4NPTx1/8NPT	Page 5, item 16
1-19980	Nipple, Close, 1/8NPT	Page 5, item 7
1-22580	Tee, Male Branch 3/8NPT	Page 5, item 19
1-22680	Bushing, 1/2NPTx1/4NPTF	Page 5, item 33
1-22780	Bushing	Page 5, item 32
1-2280	Nipple, Hex, 1/4NPT	Page 5, item 13
1-2282	Clamp, Hose	Page 5, item 28
1-2285	Tank	Used for either fluid tanks
1-22880	Tee, 1/4NPT	Page 5, item 14
1-23180	Tee, 1/4NPTF	Page 5, item 30
1-23380	Cap, Fill	Caps New Fluid Tank
1-23480	Nipple, 2"NPT x 4" long	Page 5, item 27
1-23680	Filter Assembly	Suction Wand Filter Assembly
1-24580	Pressure Snubber	Page 5, item 18
1-24680	Plug, 1/2NPT Square	Page 5, item 23
1-24780	Adaptor, 1/4NPTx1/8NPT	Page 5, item 15
1-24980	Fitting, Bulkhead	Page 5, item 6
1-26080	Filter Assembly	Recovery Filter Assembly
1-4079	Barb, 3/8NPT x 3/8 Barb	Page 5, item 20
1-4179	Barb, 3/8NPT x 1/2 Barb	Page 5, item 21
1-4280	Nipple, Hex, 1/8NPT	Page 5, item 3
1-4379	Hose Barb, 1/4NPT x 1/2	Page 5, item 9
1-4979	Barb, 1/4NPT x 1/2 Hose	Page 5, item 29
1-5379	Barb, 1/4NPT x 3/8 Barb	Page 5, item 26
1-5479	Hose Barb, 1/8 NPT x 1/4	Page 5, item 5
1-5579	Barb, 1/4NPT x 1/4 Bard	Page 5, item 25
1-5679	Fitting, 90° Barb	Page 5, item 1
1-5880	Tee, Street, 1/8NPT	Page 5, item 8
1-6079	Tee, Male Branch, 1/4 hose / 1/4NPT	Page 5, item 31
1-7181	Solenoid Valve, S6	Electromechanical fluid valve
1-7281	Solenoid Valve, S3, S7, S8	Electromechanical fluid valve
1-7381	Solenoid Valve, S4	Electromechanical fluid valve
1-7481	Solenoid Valve, S1	Electromechanical fluid valve
1-7581	Solenoid Valve, S2	Electromechanical fluid valve
1-7681	Venturi Vacuum Pump	Creates vacuum using air pressure
1-8282	Valve, Pressure Relief, 15 PSI	Pop-off valve, limits pressure to 15 PSI
1-8381	Switch, Vacuum, 17 in. Hg	Opens at 17 in. Hg
1-8581	Regulator	Use to adjust air pressure (10 PSI)
1-8880	Nipple, 1/4NPT x 2" long	Page 5, item 11
1-9081	Switch, Pressure, 5-1- PSI	Opens at 5-10 (generally 9) PSI
1-9880	Coupling, 1/8NPT	Page 5, item 2
2-10151	Fuse Holder	Holds Fuse
2-10558	Switch, Power	Front panel switch
2-10658	Switch, Empty Recovery Tank / Suction Tube	Front panel switch
2-10758	Switch, Start Drain and Fill Cycle	Front panel switch
2-4851	Fuse, 4 amp, Slow-blow	Used for circuit overload protection
2-6437	Relay	For either K1 or K2

PARTS

2-6737	Switch, Time Delay	Closes for 2 min. under power then opens
3645-0056-01	Caster, 4"	For rolling DF2000
3645-0056-02	Caster, 4", with Brake	For not rolling DF2000
5-4435-240	Tubing, Nylon, 1/4" OD x 24", Suction Tube	Used to draw fluid from reservoirs
5-4535-053	Tubing, 3/8" ID x 5 1/4"	From Tank to Sight Tube
5-4535-343	Tubing, 3/8" ID x 34-1/4", Sight Tube	Used to sight fluid level in tank
5W3335-090	Tubing, 1/4" ID x 9"	From New Fluid Tank to Upper Cabinet
5W3335-600	Tubing, 1/4" ID x 60", Tubing to Suction Tube	Connects Suction Tube to DF2000
8-8181	Valve, 90° ball	Page 2, item 2a
A7673A	Connector, Male, Air Supply	Connects shop air to DF2000
EAA0195L09A	Adapter, Female, 1"	Adapts DF2000 to vehicle
EAA0195L10A	Adapter, Female, 1-1/4"	Adapts DF2000 to vehicle
EAA0195L11A	Adapter, Female, 1-3/8"	Adapts DF2000 to vehicle
EAA0195L12A	Adapter, Female, 1-1/2"	Adapts DF2000 to vehicle
EAA0195L13A	Adapter, Female, 1-3/4"	Adapts DF2000 to vehicle
EAA0195L14A	Adapter, Male, 1"	Adapts DF2000 to vehicle
EAA0195L15A	Adapter, Male, 1-1/4"	Adapts DF2000 to vehicle
EAA0195L16A	Adapter, Male, 1-3/8"	Adapts DF2000 to vehicle
EAA0195L17A	Adapter, Male, 1-1/2"	Adapts DF2000 to vehicle
EAA0195L18A	Adapter, Male, 1-3/4"	Adapts DF2000 to vehicle
EAA0195L20A	Gauge Assembly	Pressure and vacuum
EAA0196L23A	Hose Assembly, Fill	Complete assembly
EAA0196L24B	Hose Assembly, Drain	Complete assembly
EAA0196L25A	Hose Assembly, Drain Used Fluid Tank	Complete assembly
EAA0196L26A	Lead Assembly, Battery	Provides 12 VDC power to DF2000
EAA0196L27A	Switch Assembly, Level	Detects Max. fluid level in Used Fluid Tank
EAA0196L28A	Diode Assembly	Diodes, 400 PIV
EAS2009L17A	Handle Assembly	On side of DF2000
EAW0226L00A	Wire Harness Assembly	Complete wiring harness
YA965	Pliers, Hose Pinch	Used to clamp hoses closed

EQUIPMENT SERVICE ON SITE



355 EXCHANGE AVE.
CONWAY, ARKANSAS 72032