

**HOFMANN**



# INSTALLATION and OPERATION MANUAL



## SPACESAVER II (9000 LBS) Model BLA9144C

**READ THIS INSTRUCTION MANUAL THOROUGHLY BEFORE  
INSTALLING, OPERATING, SERVICING OR MAINTAINING  
THE LIFT. SAVE THIS MANUAL.**

**HOFMANN**

USA



**HOFMANN**

CANADA



P.O. Box 600 • LaVergne, Tennessee 37086  
(800) 251-4500 • (615) 641-1950  
FAX (615) 641-3969  
Internet: <http://www.hofmann-usa.com>

P.O. Box 1270 • Belleville, Ontario K8N 5E9  
(613) 962-9138 • FAX (613) 962-8302  
Internet: <http://www.hofmann.ca>  
E-mail: [hofmann.ca@sympatico.ca](mailto:hofmann.ca@sympatico.ca)

OCT 2008 REV.- 6-3072

<b>TABLE OF CONTENTS</b>	<b>PAGE</b>
<b>1. SAFETY INSTRUCTIONS .....</b>	<b>3</b>
<b>2. SAFETY WARNING DECALS .....</b>	<b>5</b>
<b>3. SPECIFICATIONS.....</b>	<b>6</b>
<b>4. CONTENTS.....</b>	<b>7</b>
<b>5. TOOLS REQUIRED FOR INSTALLATION .....</b>	<b>7</b>
<b>6. INSTALLATION INSTRUCTIONS .....</b>	<b>8</b>
<b>6.1 BAY LAYOUT.....</b>	<b>9</b>
<b>6.2 UNPACKING PROCEDURE .....</b>	<b>10</b>
<b>6.3 HYDRAULIC INSTALLATION.....</b>	<b>11</b>
<b>6.4 ELECTRICAL INSTALLATION .....</b>	<b>13</b>
<b>6.5 BLEEDING PROCEDURE.....</b>	<b>14</b>
<b>6.6 AIR LINE INSTALLATION .....</b>	<b>14</b>
<b>6.7 MECHANICAL SAFETY INSTALLATION: .....</b>	<b>15</b>
<b>6.8 PNEUMATIC SYSTEMS INSTALLATION .....</b>	<b>17</b>
<b>6.9 LEVELING PROCEDURE.....</b>	<b>18</b>
<b>6.10 ANCHORING PROCEDURE .....</b>	<b>19</b>
<b>6.11 COVERS, WHEEL STOPS AND APPROACH RAMPS .....</b>	<b>21</b>
<b>7. OPERATING INSTRUCTIONS .....</b>	<b>22</b>
<b>7.1 RAISING THE LIFT .....</b>	<b>22</b>
<b>7.2 LOWERING THE LIFT.....</b>	<b>23</b>
<b>8. FINAL CHECK OF ASSEMBLED LIFT .....</b>	<b>24</b>
<b>9. OPERATION TEST WITH VEHICLE .....</b>	<b>25</b>
<b>10. RECOMMENDED MAINTENANCE.....</b>	<b>26</b>
<b>11. PARTS MANUAL .....</b>	<b>28</b>
<b>11.1 BAYSAVER ASSEMBLY.....</b>	<b>28</b>
<b>11.2 BAYSAVER - PART LIST.....</b>	<b>29</b>
<b>11.3 BAYSAVER HYDRAULICS .....</b>	<b>31</b>
<b>11.4 BAYSAVER - HYDRAULICS PART LIST .....</b>	<b>32</b>
<b>11.5 BAYSAVER OPTIONS.....</b>	<b>33</b>
<b>11.6 BAYSAVER - OPTIONS PART LIST.....</b>	<b>34</b>
<b>11.7 BAYSAVER CONSOLE .....</b>	<b>35</b>
<b>11.8 BAYSAVER CONSOLE PART LIST .....</b>	<b>36</b>
<b>11.9 9000 LB BAYSAVER POWERPACK .....</b>	<b>37</b>
<b>11.10 9,000 LB BAYSAVER POWERPACK PARTS LIST .....</b>	<b>38</b>
<b>11.11 12,000 LB BAYSAVER POWERPACK .....</b>	<b>38</b>
<b>11.12 12,000 LB BAYSAVER POWER PACK - PARTS LIST.....</b>	<b>39</b>

## 1. SAFETY INSTRUCTIONS

When using this lift, basic safety precautions should always be followed, including the following:



1. Read all instructions in this manual and on the lift.
2. Inspect lift daily. Do not operate if it malfunctions or problems have been encountered.
3. Never attempt to overload the lift. The manufacturer's rated capacity is shown on the identification label on the power side column. Do not override the operating controls or the safety devices.
4. Only trained and authorized personnel should operate the lift. Do not allow customers or bystanders to operate the lift or be in the lift area.



5. **CAUTION! Never work under the lift unless the mechanical safety locks are engaged.**
6. Always keep the lift area free of obstruction and debris. Grease and oil spills should always be cleaned up immediately.
7. Never raise vehicle with passengers inside.
8. Before lowering check area for any obstructions.
9. To protect against the risk of fire, do not operate lift in the vicinity of open containers of flammable liquids.
10. Adequate ventilation should be provided when working on internal combustion engines.
11. Never open hydraulic lines under pressure.

**SAVE THESE INSTRUCTIONS**

Installation shall be performed in accordance with ANSO/ALI ALIS, Safety Requirements for Installation and Service of Automotive Lifts.

For additional safety instructions regarding lifting, lift types, warning labels, preparing to lift, vehicle spotting, vehicle lifting, maintaining load stability, emergency procedures, vehicle lowering, lift limitations, lift maintenance, good shop practices, installation, operator training and owner/employer responsibilities, please refer to “Lifting It Right” (ALI/SM) and “Safety Tips” (ALI/ST).

For additional instruction on general requirements for lift operation, please refer to “Automotive Lift-Safety Requirements For Operation, Inspection and Maintenance” (ANSI/ALI ALOIM).



**ATTENTION!** This lift is intended for indoor installation only. It is prohibited to install this product outdoors. Operating environment temperature range should be 41 – 104 °F (5 – 40 °C). Failure to adhere will result in decertification, loss of warranty, and possible damage to the equipment.

+ 070126-Quadra-WLSIA01

## SAFETY INSTRUCTIONS

If attachments, accessories or configuration modifying components that are located in the load path, affect operation of the lift, affect the lift electrical listing or affect intended vehicle accommodation are used on this lift and, if they are not certified for use on this lift, then the certification of this lift shall become null and void. Contact the participant for information pertaining to certified attachments, accessories or configuration modifying components.

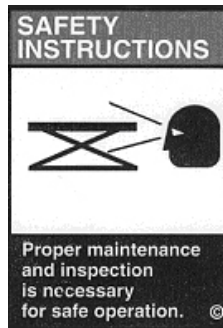
[www.autolift.org](http://www.autolift.org)

©2007 by ALI, Inc.

ALI / WLSIA01

## 2. SAFETY WARNING DECALS

Be sure the operator is aware and understands all safety warning labels and follows them accordingly.



### 3. SPECIFICATIONS

Maximum Capacity:

Overall Width:

Width Between Runways:

Overall Length (144" W/B):

Overall Length (172" W/B):

Max. Raised Height:

Min. Lowered Height:

Lifting Time:

Power Requirements:

Air Requirements:

Shipping Weight (144" W/B):

Shipping Weight (172" W/B):

9000 lbs.	4100 kg
84"	2134 mm
36"	914 mm
234"	5944mm
264"	6706 mm
72"	1829 mm
8 3/4"	222 mm
60 Sec.	
230V, 1Ph, 60Hz	
90 – 120 psi shop air	
3450 lbs.	1565 kg
3560 lbs.	1615 kg

12000 lbs.	5450 kg
92"	2337 mm
36"	914 mm
N/A	N/A
264"	6706 mm
72"	1829 mm
8 3/4"	222 mm
60 Sec.	
230V, 1Ph, 60Hz	
90 – 120 psi shop air	
N/A	N/A
4980 lbs.	1615 kg

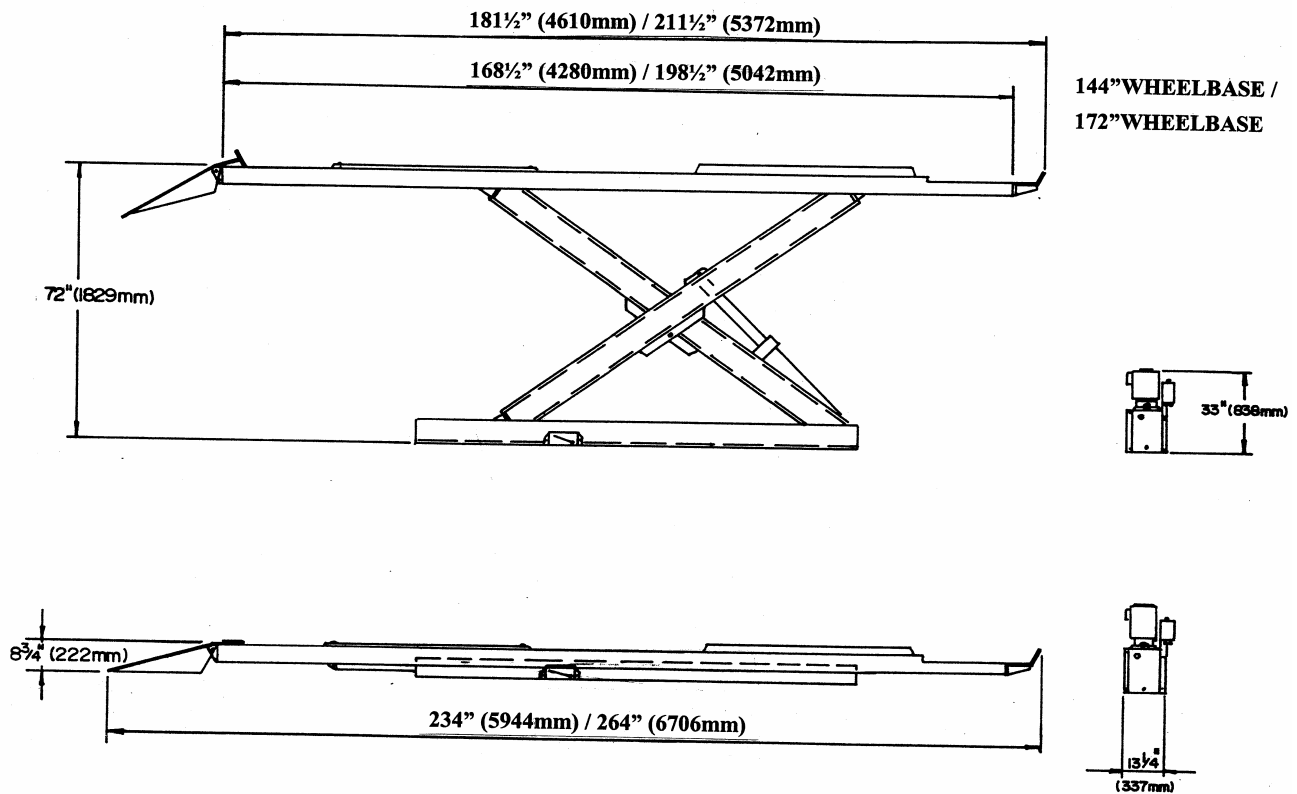


Figure 1 -Lift Dimensions

## 4. CONTENTS

The complete lift is contained in two (2) packages:

1. The **main structural components** are pre-assembled and packaged one on top of the other.
1. The remaining parts are packed in an **accessory box**. Refer to the packing slip inside the accessory box for a list contents.

### **Main Structural Components:**

1pc. - Left Side Main Frame Assembly; Runway, Scissors and Base Frame

1pc. - Right Side Main Frame Assembly; Runway, Scissors and Base Frame

**Note:** Hydraulic lines in base frames have been factory installed

### **Other Structural Components:**

1pc. – Console and accessory box. (See accessory box list for contents)

1pc. – Grout container

1pc. – Customer care kit including manuals

## 5. TOOLS REQUIRED FOR INSTALLATION

- \* Rotary Hammer Drill or Similar, ¼" and ½" Concrete Drill Bits
- \* 4' Level
- \* SAE Wrenches and Sockets
- \* Hammer
- \* Pry Bar
- \* Chalk Line
- \* Tape Measure
- \* Side Cutters
- \* Screw Drivers
- \* Hydraulic Fluid ISO 32 (10 weight hydraulic oil) - (20 liters / 5.3Gal.)
- \* Funnel
- \* Utility Knife

### Recommended:

- \* Laser Leveler
- \* Plumb Bob
- \* Impact Gun
- \* Boom and/or Engine Hoist
- \* 8' Sling

## 6. INSTALLATION INSTRUCTIONS

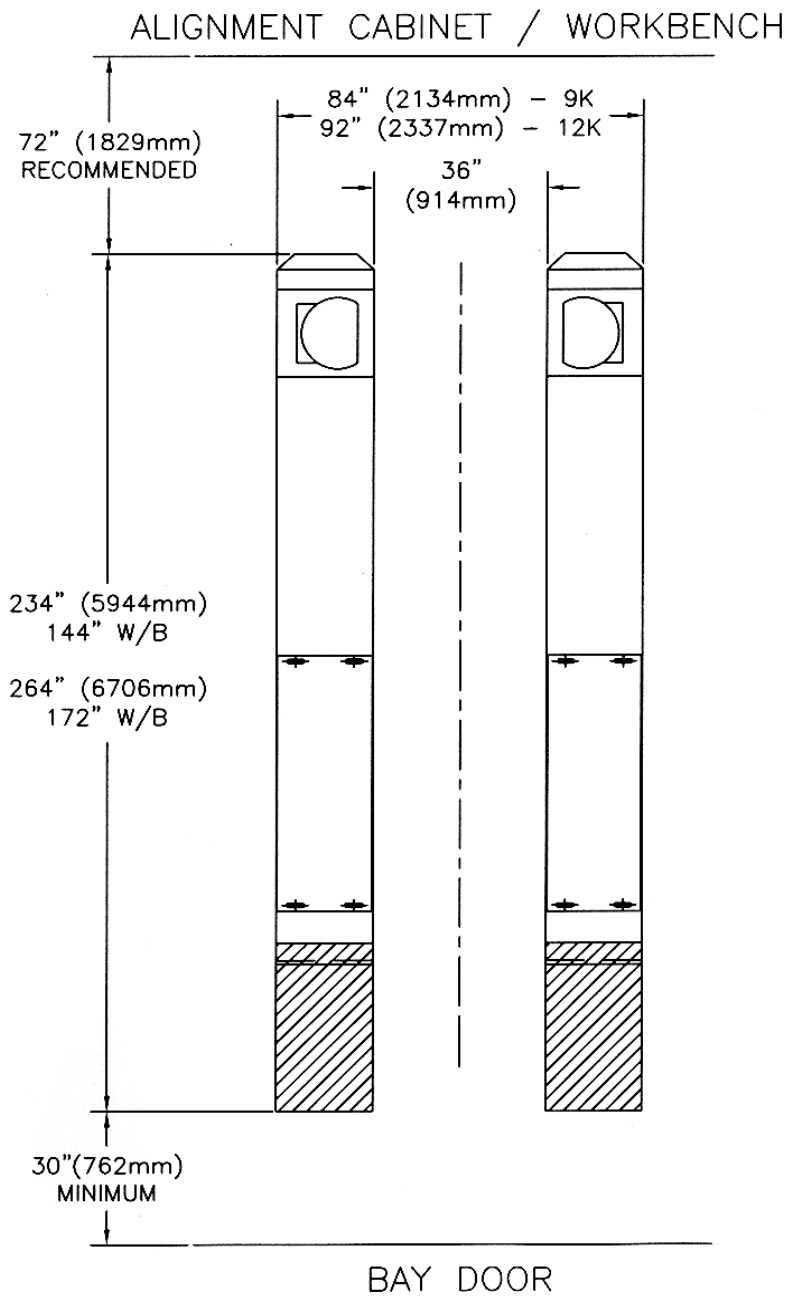
When the lift arrives on site, please read the owner's manual completely. Check the contents to make sure no parts are missing before starting installation. Gather all the tools listed and make sure the installation instructions are fully understood before commencing with the installation.

**IMPORTANT: It is the user's responsibility to provide a satisfactory installation area for the lift. Lifts should only be installed on level concrete floors with a minimum thickness of five (5) inches or 130 mm. Concrete must have a minimum strength of 4000 psi or 30 MPa and should be aged thirty (30) days prior to installation. Please consult the architect, contractor or engineer if doubt exists as to the strength and feasibility of the floor to enable proper lift installation and operation.**

**It is the user's responsibility to provide all wiring for electrical hook-up prior to installation and to insure that the electrical installation conforms to local building codes. Where required, it is the user's responsibility to provide an electrical isolation switch located in close proximity to the lift that will enable emergency stop capability and isolate electrical power from the lift for any servicing requirements.**



## 6.1 BAY LAYOUT



**Figure 2 - Typical Bay Layout (Surface Mount)**

**IMPORTANT: DO NOT UNBOLT SHIPPING CLAMPS HOLDING EACH MAIN FRAME ASSEMBLY TOGETHER UNTIL INSTRUCTED TO DO SO.**

**NOTE:** Leave any additional room for any desired aisle or work area. Recommended clearance around the lift is a minimum of three (3) feet. Ensure clearance conforms to local building and fire codes.

Recommended overhead clearance is a minimum of twelve (12) foot ceiling providing 6 feet for the maximum lift height and 6 feet for the supported vehicle. For vehicles taller than 6 feet it is

recommended that the user provides additional overhead clearance or a shut off mechanism to stop the lift from raising the vehicle too high.

1. After selecting the location best suited for your lift, draw a line parallel to the front of the lift, approximately 72" (1829mm) back from the cabinet/work bench area. This will be the approximate location of the front of the lift.

**NOTE:** Check the installation area for obstructions. (Overhead; light fixtures, heating ducts, ceiling, and In-ground; floor drains, electrical, etc.)

2. Mark on the floor an outline matching the dimensions listed.

**144" (3658mm) W/B** Overall dimensions are 234" (5944mm) x 84" (2134mm).

**172" (4369mm) W/B 9K** Overall dimensions are 264" (6706mm) x 84" (2134mm).

**172" (4369mm) W/B 12K** Overall dimensions are 264" (6706mm) x 92" (2337mm).

3. Draw a center line down the middle of the outline starting at the front of the lift location and ending at the rear approach ramps.
4. Draw two lines parallel to the centerline 18" (457mm), 9000 lb. / 20" (508mm), 12000 lb., on either side to locate the inside of the baseframes.
5. Draw a line parallel to the front of the lift or pit (flushmount) and align the front of each base frame assembly onto this line.

**144" (3658mm) W/B** 39" (991mm) back from the front of the lift

**172" (4369mm) W/B** 49" (1321mm) back from the front of the lift

6. Check the floor in the outline for the highest point using a four (4) foot level. Mark this location, reference will be made to it later during the leveling procedure.

## 6.2 UNPACKING PROCEDURE

Cut and remove the metal banding straps that hold the accessory box (and sliding Jack Beams if so equipped) and place in a convenient location near the installation area.

Cut and remove the metal banding straps surrounding the Two Main Frame Assemblies. Position the Main Frame Assemblies in the location previously marked in the bay layout.

**NOTE:** To distinguish between the left and right Main Frame Assemblies, ensure that the jack beam rails should be facing each other. All measurements are to be taken from the front of the lift.

Check that the inside of the base frames are 18" (457mm) away from the center line at both the front and rear of each mainframe assembly and that the front of each base frame is on the line drawn in step 5 of the bay layout Section 6.1.

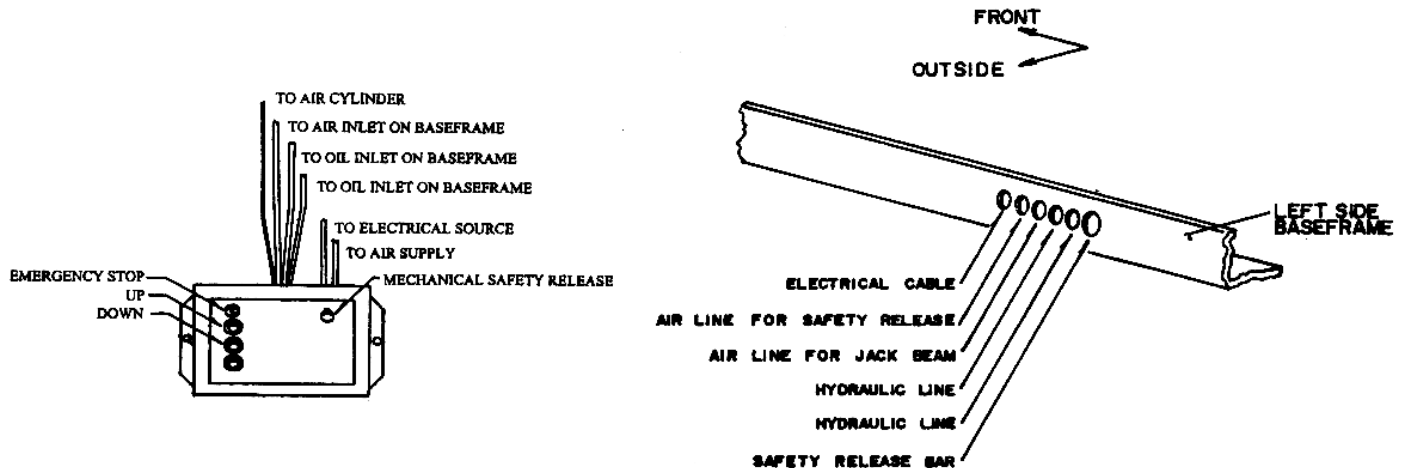
Unpack Control Console and locate in the selected position best suited for the power pack, keep in mind; that the location is restricted by the length of the hydraulic hose 21' (6401mm), and the hydraulic inlet is on the Left Side of the Left Main Frame Assembly

### 6.3 HYDRAULIC INSTALLATION

**ATTENTION:** The hydraulic pump system on this lift is not designed to be a load holding device. Safety devices must be engaged before proceeding with any vehicle servicing or system maintenance

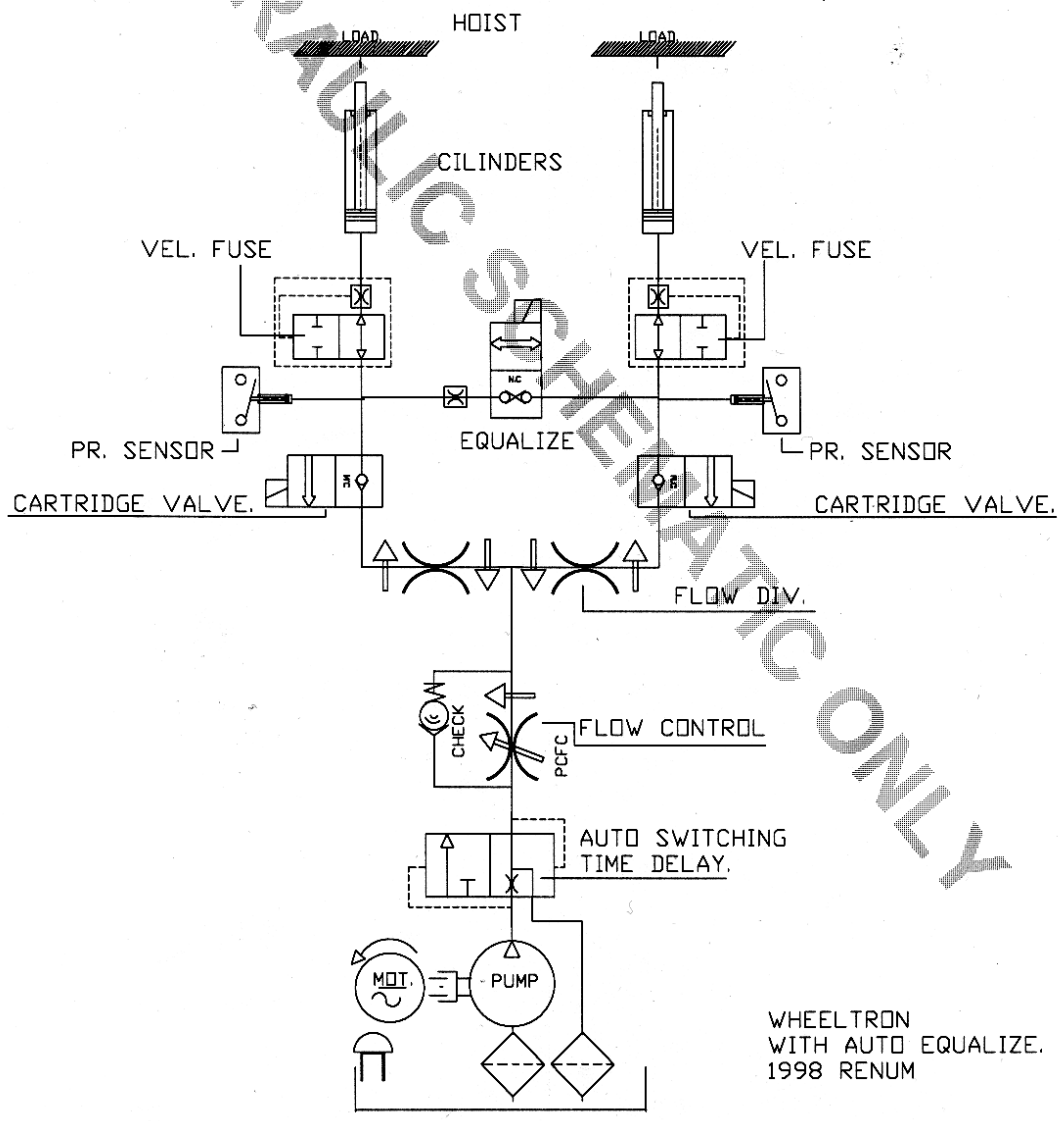
**NOTE:** When working with hydraulics it is important to keep all components clean. All hydraulic connections are 37 1/2° JIC flares.

1. Remove the back cover of the Control Console. The power pack is located inside the console.
2. Remove the breather filler cap and fill with 20 liters/5.3Gal. of ISO 32 hydraulic fluid (10 weight).
3. Remove the two (2) hydraulic hoses, one (1) braided hose, and one (1) polytube from the console. Route all four (4) hoses to the inlet ports located on the left side of the left main frame assembly Refer to Figure 3.
4. Locate the two (2) 21' (6401mm) long hydraulic hoses mounted from the back of the console. Connect the hoses to the two inlet ports of the lift. The inlet ports are located on the left side of the Left Main Frame Assembly. Refer to Figure 3.
5. Connect the 21' (6401mm) long 3/8" braided hose to the inlet on the left baseframe.
6. Connect one end of the center hydraulic line to the outlet side of the Left Main Frame Assembly and the other end to the inlet side of the Right Main Frame Assembly. Tighten the hydraulic line in place so that it runs along the floor giving it a low profile.



**IMPORTANT:** THE SHIPPING CLAMPS HOLDING EACH MAIN FRAME ASSEMBLY TOGETHER MUST BE UNBOLTED BEFORE CONNECTING ELECTRICAL POWER. THERE ARE TWO (2) CLAMPS ON EACH ASSEMBLY.

Figure 3 - Hydraulic Connections



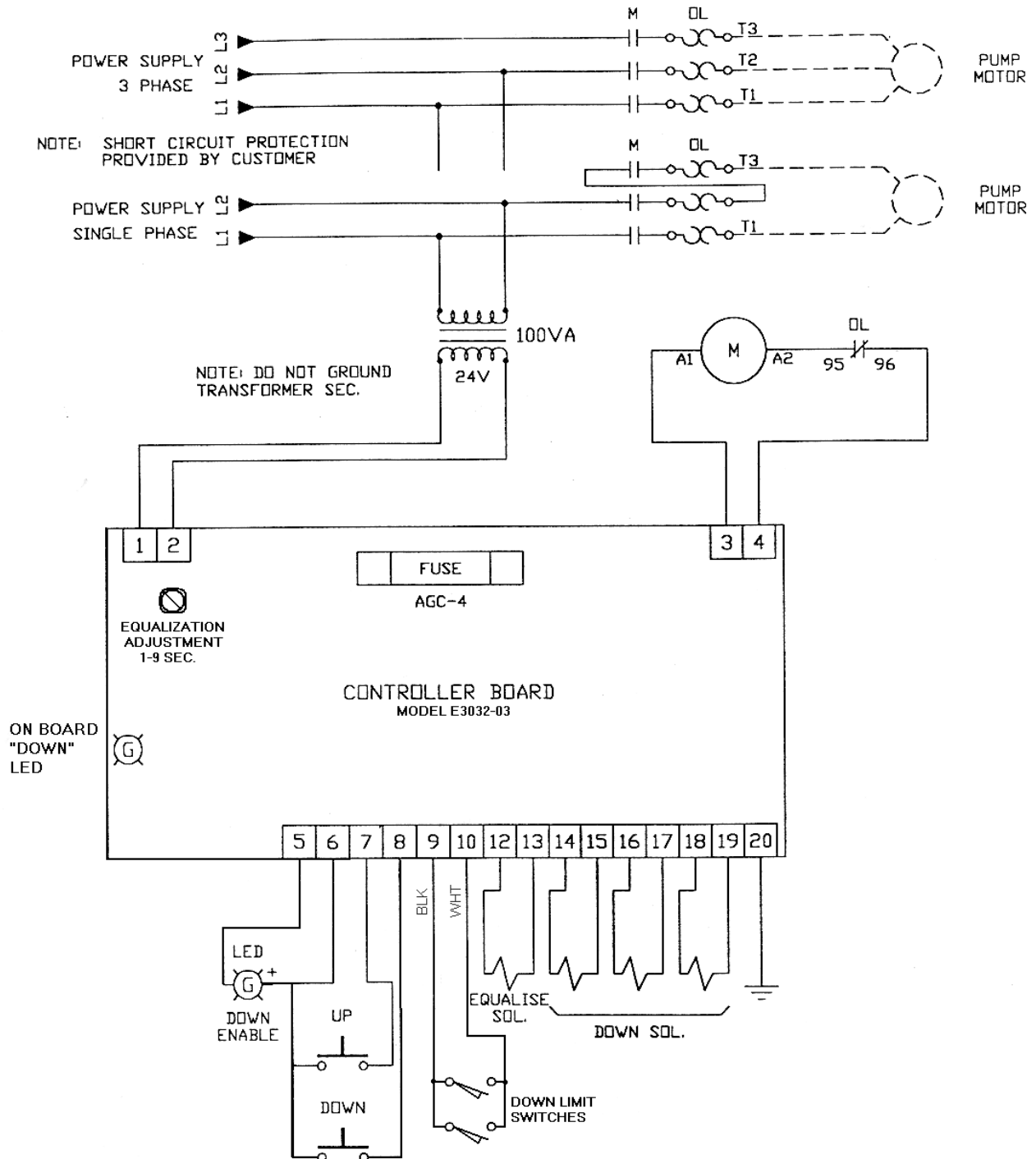
WHEELTRON  
WITH AUTO EQUALIZE.  
1998 RENUM

**Hydraulic Schematic**

## 6.4 ELECTRICAL INSTALLATION

**IMPORTANT: ALL FINAL ELECTRICAL CONNECTIONS SHOULD BE MADE BY A QUALIFIED ELECTRICIAN.**

Please refer to Figure 4, the electrical diagram. Note: All electrical connections have been made and customer power supply can be connected using the 12" cable extending from the back of the console.



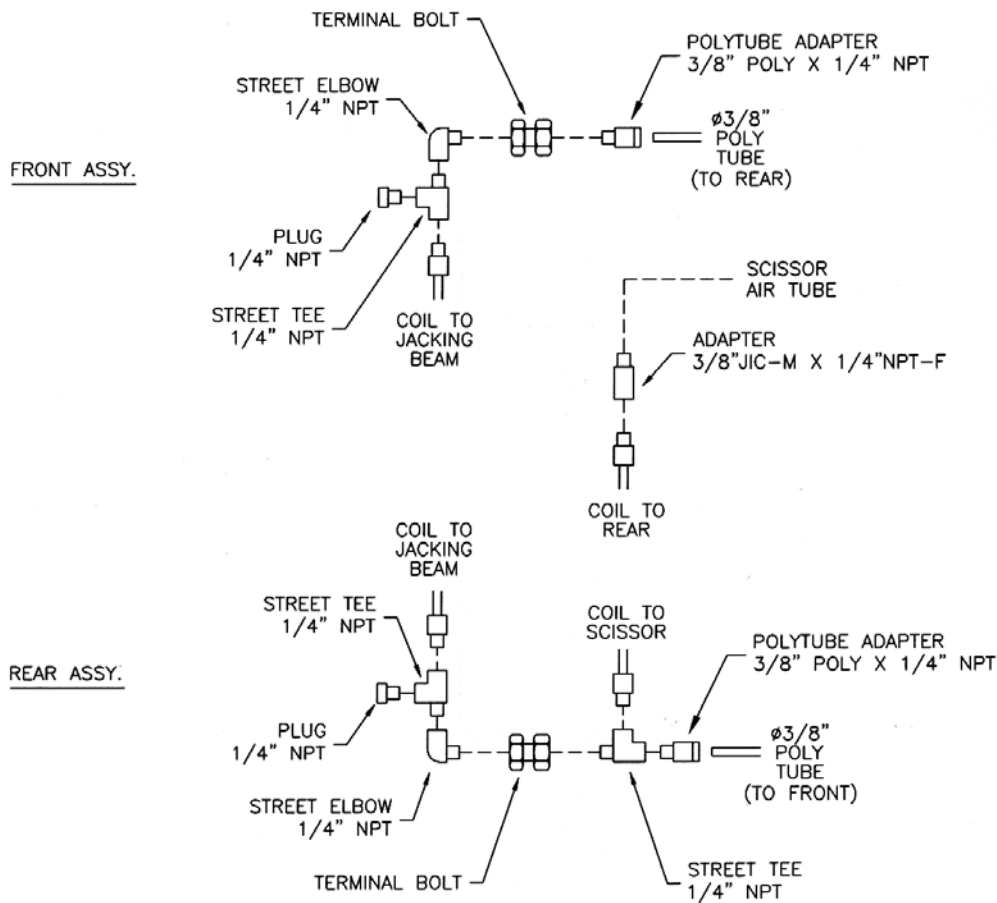
**Figure 4 - Electrical Schematic; 220 Volt, 1Ph.**

## **6.5 BLEEDING PROCEDURE**

1. Once the main electrical power supply has been connected, turn the equalization adjustment fully clockwise. The equalization adjustment is located on the powerpack controller board, see Figure 4.
2. Press the up control button and raise the lift 10” (254mm) above the ground. If the LED does not illuminate, continue pressing the up button until the LED comes on.
3. Lower the lift to the ground and hold the down button until the LED light goes off. This will release air from the hydraulic system. Note: If the LED is not illuminated the lift will not lower – press the up button and raise the lift until the LED comes on. Once the LED is illuminated, the lift can be lowered.
4. Repeat these steps 3-4 times to completely bleed the system of air. Check the lift for hydraulic leaks at all connections. When complete, turn the equalization adjustment fully counter clockwise.
5. After bleeding, it is recommended that the filter assembly fitting (between the hydraulic hose and the powerpack) be cleaned. Place the fitting on a workbench and use an air gun to blow through the filter in the opposite direction to flow from the lift.
6. Close the back cover of the Control Console making sure that all four hoses are routed through the slot located at the bottom of the back cover.

## **6.6 AIR LINE INSTALLATION**

1. Remove the air line fittings from the accessory box.
2. Raise the lift until the deck is at a suitable working height. Lower the lift until mechanical safety locks engage.
3. Assemble the fittings to the front of the left side deck as shown in Figure 5. Connect the 3/8” polytube from the inside of the deck to the fitting assembly.
4. Assemble the fittings to the rear of the right side deck as shown in Figure 5. Connect the 3/8” polytube from the inside of the deck to the fitting assembly.
5. Remove one recoil hose from the accessory box and connect it to the rear fitting assembly as shown in Figure 5. Run the recoil hose under the deck and connect the opposite end to the air line on the scissors using the 3/8”JIC-M x 1/4”NPT-F adapter from the hardware kit.
6. Install 1/4” NPT plugs at front and rear of air kit to stop air flow when connecting air to lift.

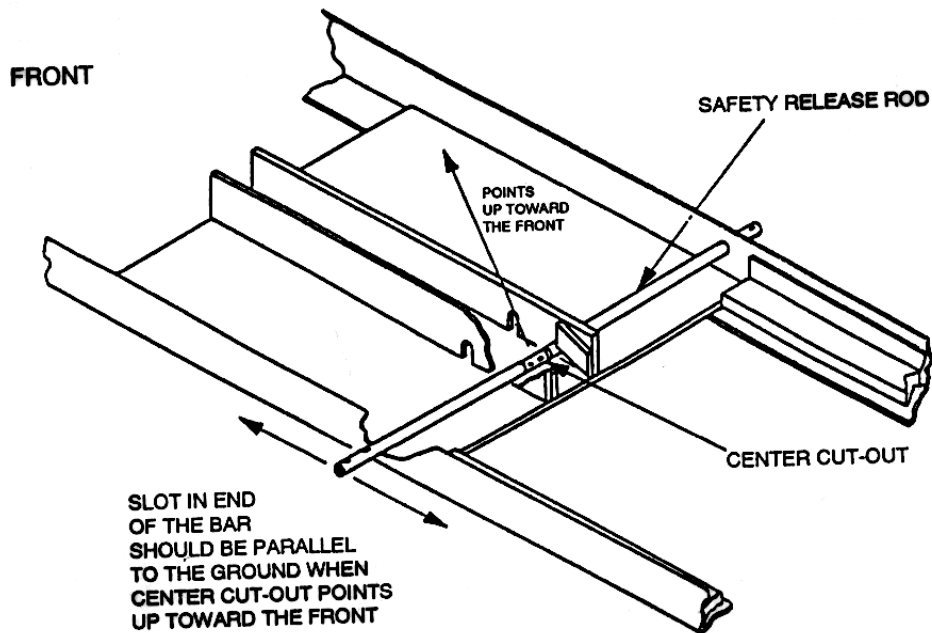


**Figure 5 – Air Line Connections**

**6.7 MECHANICAL SAFETY INSTALLATION:**

1. At this point, run the lift up to full height and turn off the power supply to the power pack.
2. The safety release rods must be fed through the holes closest to the rear of each baseframe.

**NOTE:** The rods should be installed so that the flat section in the middle of the rod is on top and pointing up toward the front of the deck when the slots on either end are parallel to the ground. Refer to Figure 6.



**Figure 6 - Safety release rod location.**

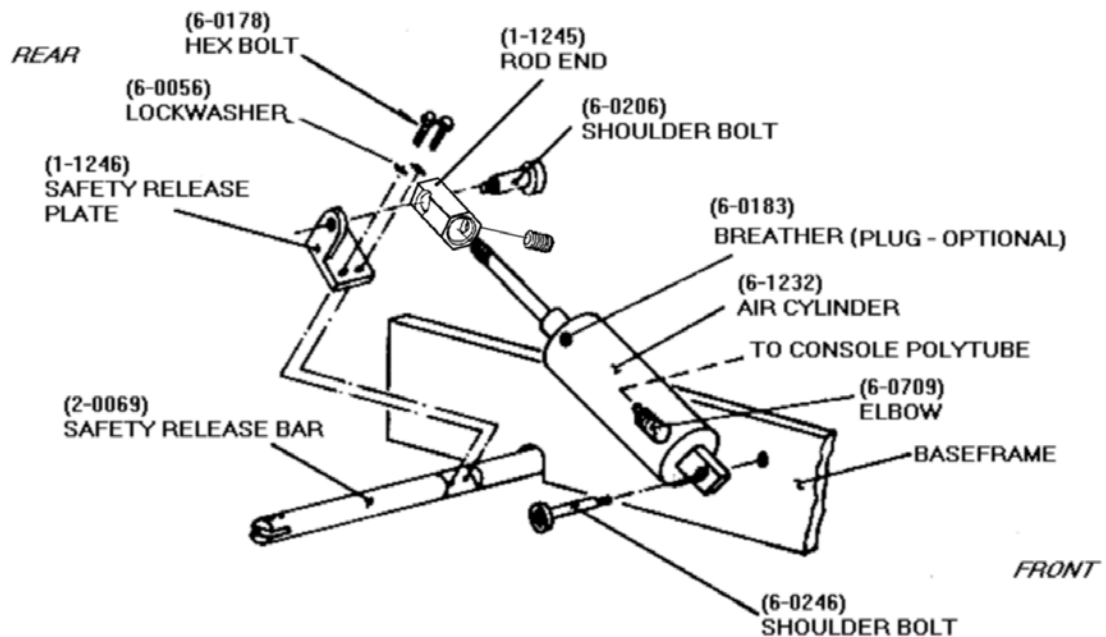
3. Install the rectangular safety release tab using one (1); 1/4" - 20UNC x 3/4"lg. cap screws. The safety release tab screws to the surface of the safety release rod located under the mechanical safety locks.
4. Using Figure 7, attach the rod end to the air cylinder, and assemble it to the safety release plate using the shoulder bolt supplied in the hardware kit. Connect the safety release plate to the safety release rod using two (2) hex bolt and lockwashers.
5. Assemble the breather and 90° elbow to the air cylinder as shown in Figure 7. Attach the air cylinder to the baseframe using the shoulder bolt provided.
6. Install the safety release connecting rod between the safety bars using 1/4"-20UNC x 1 1/4" lg hex bolt, nut and lockwasher, using one on each side.
7. Place the safety bar weldments back in their engaged position. **Turn power back on.**



## 6.8 PNEUMATIC SYSTEMS INSTALLATION

**NOTE: A MECHANICAL SAFETY RELEASE CONTROL BUTTON ON THE CONTROL CONSOLE WILL RELEASE THE MECHANICAL SAFETY FOR LOWERING OPERATIONS.**

1. Route the 30' polytube next to the hydraulic hoses to the inlet of the lift, through the left baseframe assembly and into the 90° elbow attached on the air cylinder. Refer to Figure 7.
2. Connect an air supply line from the customer's shop to the air inlet at the rear of the control console. The air supply line should have an operating pressure of 100-120psi (7-8 bar). If air supply line is higher than 120psi, use optional part # 6-0182, 1/8" plug. Check for leaks.
3. Make sure there are no people, tools, or obstructions under the platforms before pressing the mechanical safety release button, and then lower the lift by pressing down button on the control panel. Stop lowering at approximately 3 feet from the floor. Release the mechanical safety release button and lower the lift down onto its safeties.
4. **FOR THOSE UNITS EQUIPPED WITH SLIDING JACK BEAM(S) NOW IS THE TIME TO INSTALL THE JACK(S).** Lower lift and consult instructions supplied with each Jacking Beam. Make sure to disconnect air supply before removing 1/4" NPT plugs and installing coil hoses for Jack Beam(s).



**Figure 7 – Air Operated Mechanical Safety Release (Left Baseframe)**

## 6.9 LEVELING PROCEDURE

1. The highest point on the floor, noted from Section 6.1 step 6 is the point from which the base frame will be leveled from. Raise the lift to full height and, using a four (4) foot level across the base frames, verify again that this is the highest point.
2. Starting at the corner closest to the highest point, check along the length of the base frame edge with the four foot level and shim as required. **NOTE THE FIVE CRITICAL POSITIONS THAT SHIMS MUST BE PLACED ON EACH BASE FRAME OF EACH MAIN FRAME ASSEMBLY.** Refer to Figure 8.
3. Continue shimming across that base frame from side to side, and front to rear.
4. Once one frame is completely leveled, level the inside rails of the base frames to one another.
5. Now level the remaining outside half of the last base frame by placing the level across that unit and shimming as required.
6. A quick check across, along and between each base frame will ensure the leveling procedure was carried out successfully.

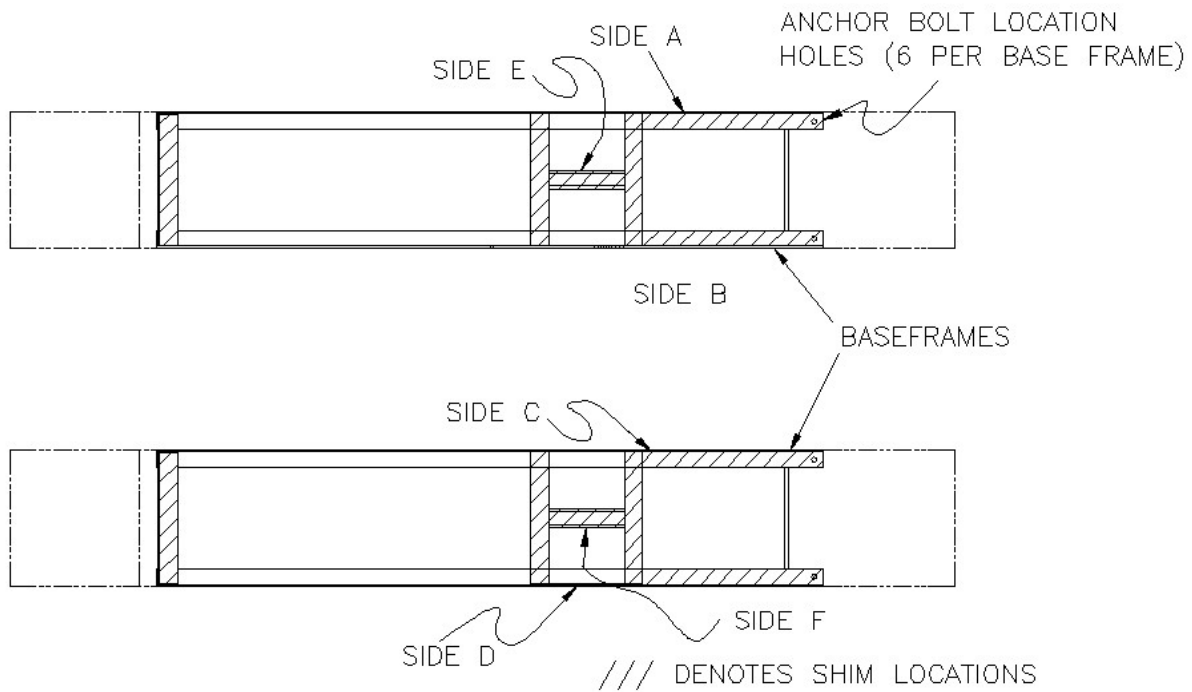
### **LEVELING EXAMPLE:**

Assuming that the front right corner is the highest point level in the following order:

- Shim along side "A"
  - Shim across from side "A" to side "B" (check along side "B" from front to back)
- The Right Side base frame should now be leveled.**
- Shim across from side "B" to side "C" (check along side "C" from front to back)
  - Shim across from side "C" to side "D" (check along side "D" from front to back)
  - Shim along side E & side F (locking Mechanism)

**Both base frames should now be leveled from front to back and side to side.**

**NOTE: Base frame leveling should be performed as a reference before main leveling of the decks. One last check before anchoring is to make sure that there is 36" between the baseframes.**



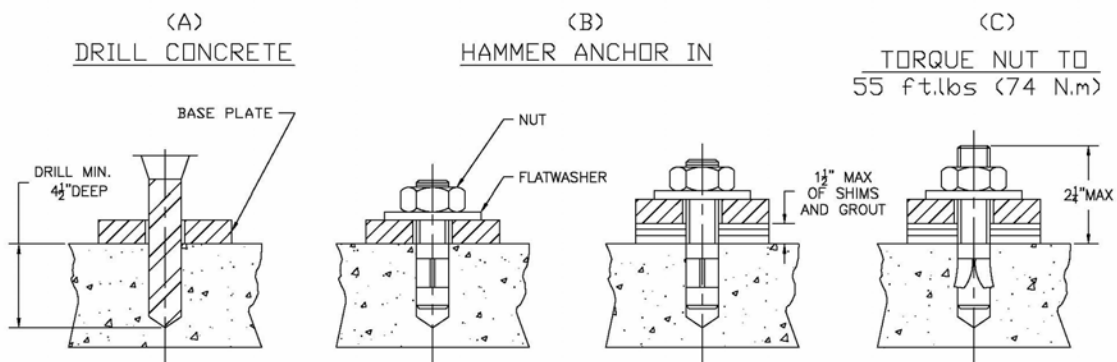
**Figure 8 - Leveling Procedure Example**

## 6.10 ANCHORING PROCEDURE

**NOTE: Check operation of lift (up/down) and movement of jack beams before anchoring the lift**



**CAUTION! WEAR SAFETY GOGGLES AND PRACTICE CAUTION WHILE DRILLING CONCRETE.**



**Figure 9 - Anchoring**

1. Lower the lift and measure the distance between the Jackbeam rails at front and rear of the lift.
2. Raise the lift to full height and repeat the measurements, and ensure there are no differences.

3. Using a rotary hammer drill and a 1/2" concrete bit, drill through the floor at each of the six (6) anchor bolt locations on each of the base frames. Make sure that the 1/2" concrete drill bit is in good condition. Refer to Figure 9.
4. Assemble the nut and washer onto the 1/2" x 4 1/2" long wedge anchor bolts supplied. A minimum of six threads must be visible below the surface of the nut.
5. Clean out the drilling dust from the holes and hammer in the anchors until they make contact with the baseplate. **Hand tighten all anchor bolts.**
6. Torque all anchor bolts to 55 ft-lbs.
7. Position the console in the final desired location. Using a rotary hammer drill and a 1/4" concrete bit, drill and anchor the console to the floor using the Nail in Anchors located in the hardware kit.
8. Use the line covers to protect all cables, hoses, and wiring running to the lift. Using a rotary hammer drill and a 1/4" concrete bit, drill and anchor the line covers using the nail in anchors located in the hardware kit.
9. With all anchor bolts torqued as specified operate the lift checking its full operation.

If anchor bolts do not tighten to 55 ft-lbs. OR project more than 2 1/4" above the concrete surface, the concrete should be replaced by an appropriate concrete pad. (Consult Product Manufacturer / Supplier for further details)

## **6.11 COVERS, WHEEL STOPS AND APPROACH RAMPS**

1. Locate and install the center cover over the mechanical safety release connecting rod and center connecting hydraulic line. Install using the four (4) ¼" - 20 UNC x ¾" long hex head bolts, flat washers and lock washers.
2. Check to make sure that the safety release connecting rod does not bind during operation.
3. Locate and install protective line covers over all air and hydraulic supply lines.
4. Using a rotary hammer drill and a ¼" concrete drill bit, drill all line cover locations. Using the ¼" nail-in anchors supplied, fasten the line covers to the floor.
5. Locate and install the two (2) front wheel stops; one (1) to the front of each of the runways using the six (6) 1/2" - 13 UNC x 1 1/2" long hex head bolts, flat washers, and lock washers.
6. Install the approach ramps using ramp pins, washers, and cotter pins.

## 7. OPERATING INSTRUCTIONS

**NOTE:** In case of power failure, the manual override can be used to lower the lift. To operate the manual override, first remove red plastic tamper proof cap from each of the two solenoids connected to the hydraulic lines. Unscrew the center needle valves on each of these 2 solenoids simultaneously to the fully counterclockwise position. The lift will then lower to the ground (Note: a second person may be required to disengage the safeties).

### 7.1 RAISING THE LIFT

1. If the lift is equipped with Sliding Jack Beam(s) be sure that the Beam(s) are positioned at the front or mid travel of the lift, fully down, with the risers removed and stored. Never store Jack Beam(s) at the rear of the lift.
2. Be sure that the lift is fully lowered before attempting to load or unload a vehicle.
3. Position the vehicle on the lift ensuring the resulting load on each deck is distributed as evenly as possible.

**NOTE:** The vehicle is positioned correctly when the distance from the center of the tires to the inside edge of the runways is equal on both runways, for the front and rear tires.

4. Check that there are no obstructions above the lift that could damage the lift or vehicles.
5. Raise the lift by pressing the up button on the control console. Raise the lift up past the desired working height until the mechanical safety drops into position. Press the down button to lower the lift down onto both of the mechanical safeties. Note: If the LED is not illuminated the lift will not lower – press the up button and raise the lift until the LED comes on. Once the LED is illuminated, the lift can be lowered.
6. Continue depressing down button until L.E.D. shuts off. (To allow lift to equalize automatically)

**NOTE: NEVER WORK UNDER A VEHICLE OR THE LIFT UNLESS IT IS POSITIONED ON BOTH MECHANICAL SAFETIES!**

## 7.2 LOWERING THE LIFT

1. Check that there are no obstructions under the lift or vehicle. Be sure that the Sliding Jack Beams are fully lowered and positioned at the front or mid section of the lift.
2. Raise the lift by pressing the up button until the mechanical safety bars are off their stops, and the LED light illuminates. Stop raising.
3. Depress the mechanical safety release button to disengage the mechanical safety locking bars. Continue to hold the button while depressing the down button on the control console.
4. Continue lowering until the lift is approximately 34" (864mm) above the floor. Then release the mechanical safety release button, allowing the mechanical safety locking bars to be readied for their next use. Continue to depress the down button until the lift is completely lowered and LED light goes off for leveling of both runways.

**NOTE: The operator must always keep their attention on the operation of the lift while raising or lowering.**

5. Be sure that the lift is completely lowered before removing the vehicle from the lift.

**8. FINAL CHECK OF ASSEMBLED LIFT**

- 1. Final dimension check after anchoring. \_\_\_\_\_
- 2. Check for hydraulic leaks. \_\_\_\_\_
- 3. Re-check level of decks, front to rear, side to side. \_\_\_\_\_
- 4. Check torque of anchor bolts. \_\_\_\_\_
- 5. Check all fasteners, tighten if necessary. \_\_\_\_\_
- 6. Operate lift to full stroke then lower to ground while checking for proper functionality. \_\_\_\_\_
- 7. Ensure Customer Care Kit is complete and given to operator. \_\_\_\_\_
  - a. Operation Manual \_\_\_\_\_
  - b. ANSI / ALI Lift It Right Manual \_\_\_\_\_
  - c. ANSI / ALI Safety Tip Card \_\_\_\_\_
  - d. ANSI / ALI ALIS Safety Requirements for Installation and Service of Automotive Lifts \_\_\_\_\_
  - e. ANSI / ALI Quick Reference Guide \_\_\_\_\_
- 8. Train end user on operation of lift. \_\_\_\_\_



## **9. OPERATION TEST WITH VEHICLE**

1. Lower lift to ground.
2. Drive vehicle on to lift.
3. Raise lift to and lower onto 3-4 lock positions during full rise to ensure all locks are working correctly.
4. Check lowering speed and smooth decent rate.
5. Lower lift to ground and drive vehicle off lift.

If any problems occur during the final checkout or operation of the lift please contact customer service at 1-800-268-7959

## **10. RECOMMENDED MAINTENANCE**

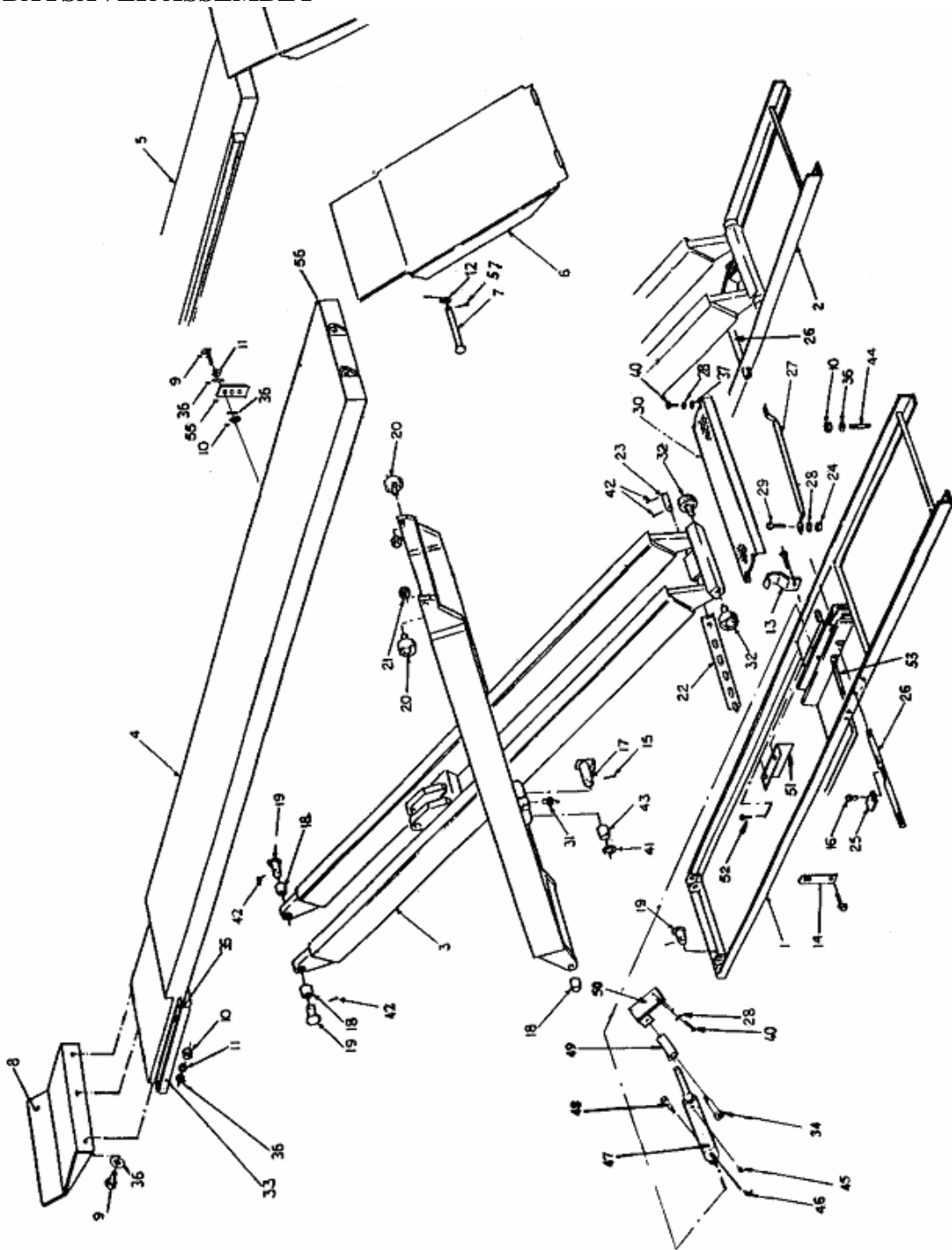
1. The lift should be greased at least once every two months. There are six (6) points on each lift that will take grease: four (4) on the scissors hinges and one on each of the two (2) hydraulic cylinder rod eyelet's.
2. The fluid level in the reservoir should be checked periodically. Be sure that the lift is fully lowered when checking. The hydraulic fluids should be changed once every five years. Use only ISO 32 hydraulic fluid.
3. The roller tracks should always be kept clean and free of debris. This area should be checked before any raising or lowering of the lift.
4. Inspect the operation of the lift daily. Raise and lower fully.
5. Inspect electrical and mechanical operations of all switches, electrical and mechanical.
6. Lifts equipped with full floating rear slip plates and front radius turning plates, require to be disassembled and cleaned once every 3 months. More frequently with lifts that are in areas with more exposure to sand and salt.

**NOTE: Locking pins should always be installed on front and rear plates before attempting to drive a vehicle on or off the lift.**

## **QUARTERLY REAR SLIP PLATE MAINTENANCE**

1. Remove top Slip Plate covers by first removing the four (4) shoulder bolts on each cover.
2. Remove polyethylene bearing cages insuring that all the delrin bearings remain in the cages. Additional delrin bearings may be purchased if required.
3. Clean runway surface and touch up any paint wear with a rust resistant paint. Allow paint to dry thoroughly.
4. To obtain optimum performance, the position of the slip plate bearing cage should be rotated every quarter to change the wear pattern. With the first quarter maintenance, flip the bearing cage over to the opposite side. With the second quarter maintenance, rotate the bearing cage end-to-end. With the third quarter maintenance, flip bearing cage over to the opposite side. Fourth quarter maintenance should see the bearing cage rotated back to the position it started in.
5. Quarterly maintenance will optimize performance and contribute to longer slip plate life.

11. PARTS MANUAL  
11.1 BAYSAVER ASSEMBLY

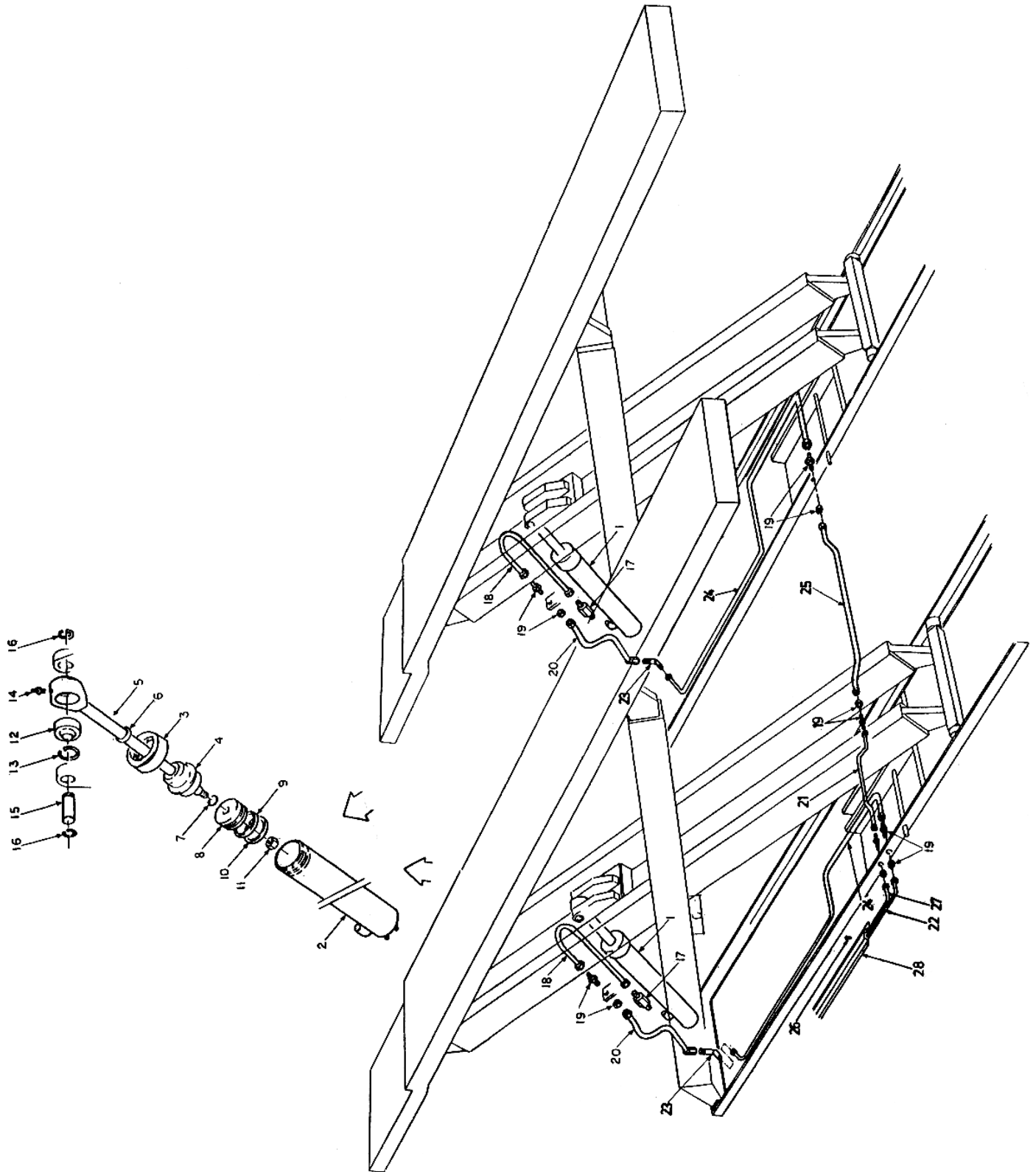


## 11.2 BAYSAVER - PART LIST

ITEM	QTY.	DESCRIPTION	PART #
1	2	BASE FRAME WELDMENT, 9K	4-0160
	2	BASE FRAME WELDMENT, 12K	4-0160
3	2	SCISSOR WELDMENT	4-0153
4	1	9K ALIGNMENT DECK, LEFT SIDE (144"W/B)	4-0379
	1	9K ALIGNMENT DECK, LEFT SIDE (172"W/B)	4-0415
	1	12K ALIGNMENT DECK, LEFT SIDE (172"W/B)	4-0158
5	1	9K ALIGNMENT DECK, RIGHT SIDE (144"W/B)	4-0380
	1	9K ALIGNMENT DECK, RIGHT SIDE (172"W/B)	4-0416
	1	12K ALIGNMENT DECK, RIGHT SIDE (172"W/B)	4-0159
6	2	RAMP ASSEMBLY W/ ROLLER	3-0905
	2	APPROACH RAMP (FLUSHMOUNT)	3-0698
7	4	RAMP PIN	1-1887
8	2	FRONT WHEEL STOP	2-0851
9	16	HEX BOLT, 1/2" - 13UNC X 1 1/2" LG.	6-0291
10	18	HEX NUT, 1/2" - 13UNC	6-0035
11	6	LOCK WASHER, 1/2" I.D.	6-0059
12	2	3/4" I.D. FLAT WASHER	6-0738
13	2	SHIPPING BRACKET	2-0112
14	2	FLAT SHIPPING BRACKET	2-0266
15	4	SPRING PIN, 3/16" X 2" LG.	6-0146
16	2	FLAT HD., 1/4"-20UNC X 3/4" LG.	6-1086
17	4	FULCRUM PIN, 1 1/4" DIA.	1-0106
18	8	BUSHING, 1" I.D.	6-0085
19	8	END HINGE PIN, 1" DIA.	1-0107
20	4	CAM FOLLOWER	6-0637
21	4	JAM NUT, 5/8" - 18UNF	6-0040
22	2	SAFETY BAR WELDMENT	2-1683
23	2	SAFETY PIN	1-0547
24	2	NEX NUT, 1/4"-20UNC	6-0032
25	2	SAFETY RELEASE TAB	1-2169
26	2	SAFETY RELEASE ROD ( 9K )	2-2133
	2	SAFETY RELEASE ROD ( 12K )	2-2134
27	1	SAFETY RELEASE CONNECTING ROD	2-0071
28	14	LOCK WASHER, 1/4" I.D.	6-0056
29	2	HEX. BOLT, 1/4"-20UNC x 1 1/4" LG.	6-0027
30	1	CENTER COVER ( 9K )	3-0951
	1	CENTER COVER ( 12K )	3-0952
31	4	GREASE NIPPLE	6-0000
32	4	CAM FOLLOWER	6-0077
33	2	PULL OUT STEP ASSEMBLY	2-0362
		<b>* NO PULL OUT STEP ASSEMBLY FOR 12K LIFT</b>	
34	2	SHOULDER BOLT, 3/8" DIA. X 1" LG.	6-0206
35	2	SAFETY WALK TAPE	1-0749
36	24	PLAIN WASHER, 1/2" I.D.	6-0063
37	4	FLATWASHER, 1/4" I.D.	6-0060
40	10	HEX BOLT, 1/4" - 20UNC X 3/4" LG.	6-0178
41	4	WASHER	1-0140

ITEM	QTY.	DESCRIPTION	PART #
42	12	COTTER PIN, 1/8" X 2"LG.	6-0115
43	4	BUSHING, 1 1/4" ID	6-0084
44	12	9K WEDGE ANCHOR, 1/2" X 4 1/2"LG.	6-0140
	16	12K WEDGE ANCHOR, 1/2" X 4 1/2"LG.	6-0140
45	1	1/8" NPT BREATHER	6-0183
46	1	ELBOW 90°, 1/8"NPT TO 1/4" POLYTUBE	6-0709
47	1	AIR CYLINDER	6-1232
48	1	SHOULDER BOLT, 5/16" DIA. X 1"LG.	6-0246
49	1	ROD END ASS'Y (INCLUDES 1/4"-20UNC x 3/8"LG SET SCREW)	1-1245
50	1	ACTUATOR ARM WELDMENT	1-1246
51	1	SAFETY COVER	2-1055
52	2	SELF TAPPING SCREW, #10-24UNC X 1/2"LG.	6-0505
53	1	POLYTUBE, 1/4"DIA. (30'LG)	6-1270
54	1	"HYDRAULIC LEVELING" DECAL	6-1405
55	2	T/B BRACKET ( 12K ) FOR AIR KIT, D.S. ONLY	1-0636
	2	HEX BOLT, 1/2" - 13UNC X 1 1/2"LG.	6-0291
	2	HEX NUT, 1/2" - 13UNC	6-0035
	4	PLAIN WASHER, 1/2"I.D.	6-0063
	2	LOCK WASHER, 1/2"I.D.	6-0059
56	2	ADAPTER PLATE ( 12K )	1-2319
	6	HEX BOLT, 1/2" - 13UNC X 1 1/2"LG.	6-0291
	6	HEX NUT, 1/2" - 13UNC	6-0035
	12	PLAIN WASHER, 1/2"I.D.	6-0063
	6	LOCK WASHER, 1/2"I.D.	6-0059
57	4	COTTER PIN, 1/8" X 1 1/2"LG.	6-0978

### 11.3 BAYSAVER HYDRAULICS



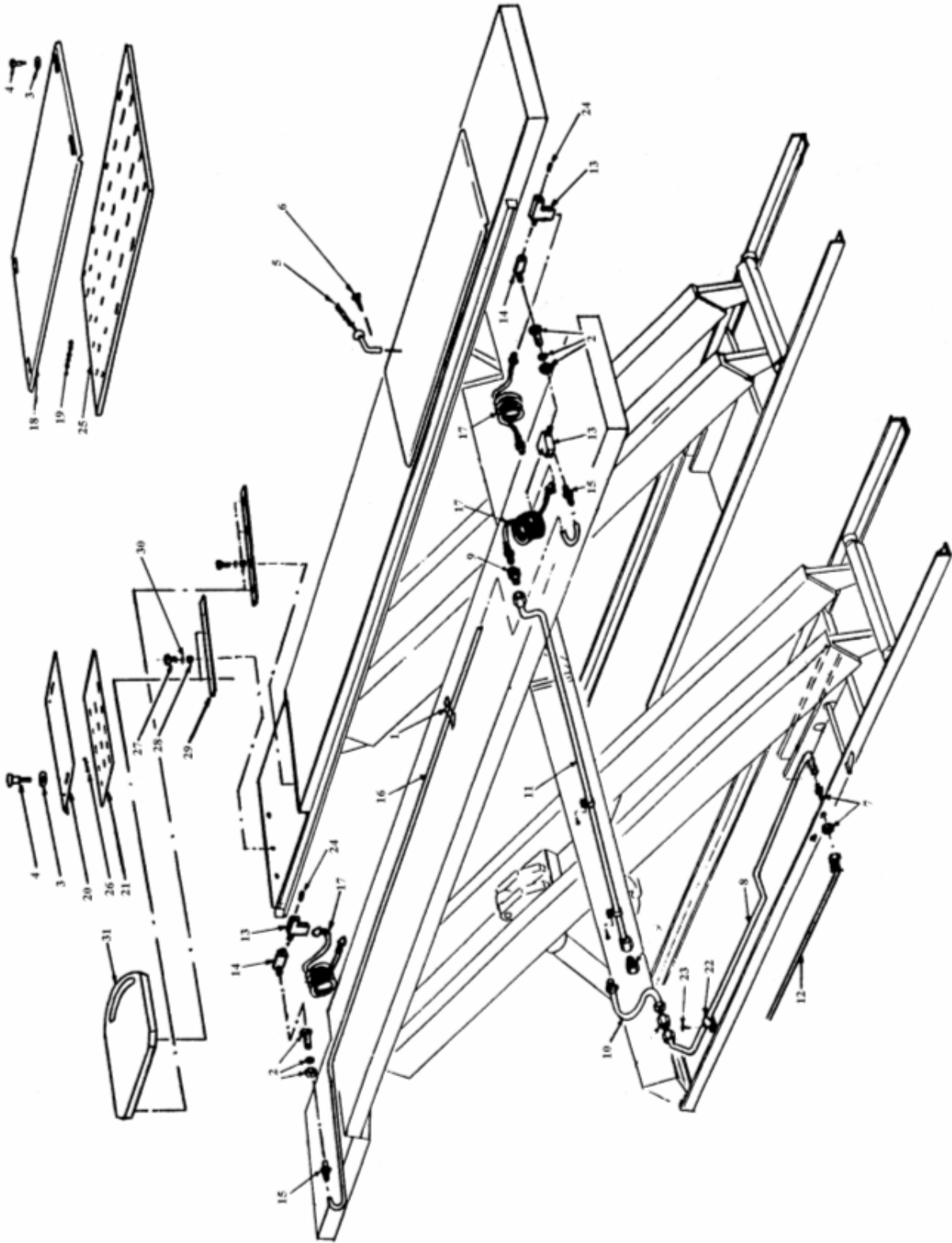
## 11.4 BAYSAVER - HYDRAULICS PART LIST

ITEM	QTY.	DESCRIPTION	PART #
1	2	HYDRAULIC CYLINDER	3-0000
1-2	1	TUBE WELDMENT	2-0000
1-3	1	NUT GLAND	1-0011
1-4	1	GLAND	1-0008
1-5	1	ROD WELDMENT	2-0001
1-6*	1	WIPER RING	6-0001
1-7*	1	'O' RING	6-0002
1-8	1	PISTON	1-0007
1-9*	1	SEAL RING	6-0003
1-10*	1	WEAR RING	6-0004
1-11	1	NYLON INSERT LOCK NUT, 7/8"-14UNF	6-0005
1-12	1	BEARING	6-0007
1-13	1	RETAINING RING	6-0070
1-14	1	GREASE NIPPLE	6-0000
15	2	PIN	1-0029
16	4	RETAINING RING	6-0340
17	2	VELOCITY FUSE	6-0422
18	2	TUBE ASSEMBLY, CYLINDER	1-0093
19	6	BULKHEAD, CONNECTOR 3/8"JIC C/W JAM NUT	6-0013
20	2	HOSE ASSEMBLY	2-2136
21	1	TUBE ASSEMBLY	2-0848
22	1	HYDRAULIC HOSE ASSEMBLY	2-2050
23	2	BULKHEAD, 90° ELBOW 3/8"JIC M C/W JAM NUT	6-0012
24	2	TUBE ASSEMBLY	2-0849
25	1	TUBE ASSEMBLY ( 9K )	2-0065
	1	TUBE ASSEMBLY ( 12K )	2-0519
26	20	CONCRETE NAIL, 1/4" x 1"	6-0141
27	1	HYDRAULIC HOSE ASSEMBLY	2-1049
28	5	LINE COVER	2-1104

\*HYDRAULIC CYLINDER SEAL KIT PART # 0-0007



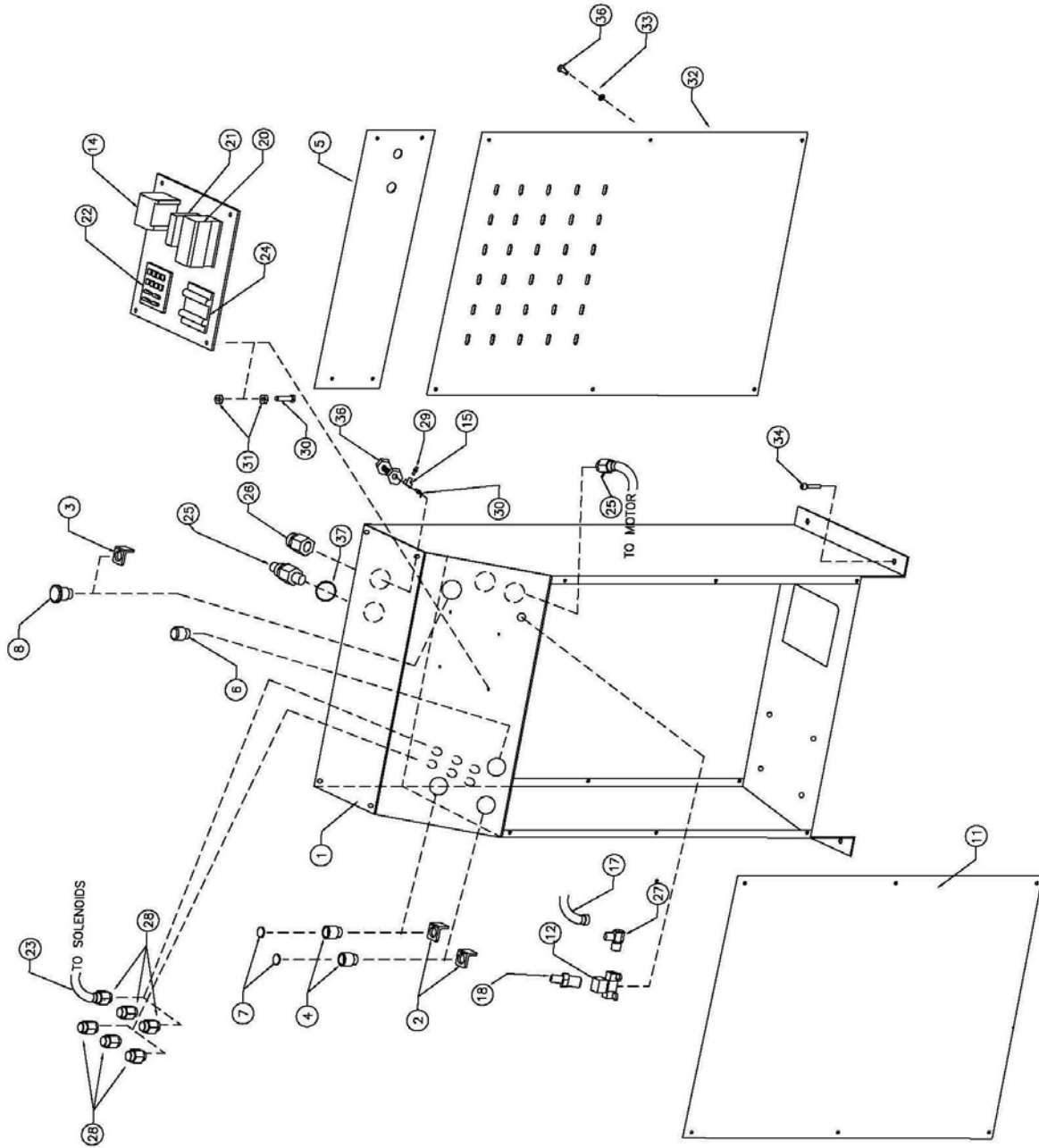
# 11.5 BAYSAVER OPTIONS



## 11.6 BAYSAVER - OPTIONS PART LIST

ITEM	QTY.	DESCRIPTION	PART #
1	5	FRAME CLIP	6-0500
2	2	TERMINAL BOLT, 3/4"-16m W/1/4 NPT F	6-0167
3	12	FLAT WASHER	6-0426
4	12	SHOULDER BOLT, 3/8" X 5/8"LG.	6-0069
5	8	LOCKING PIN ASSEMBLY	2-2184
6	8	SELF TAP SCREW #10 X 1/2"LG.	6-0505
7	1	BULKHEAD, CONNECTOR 3/8"JIC C/W JAM NUT	6-0013
8	1	TUBE ASSEMBLY	3-0017
9	1	ADAPTER, 1/4" PUSHLOCK x 3/8" JIC	6-0169
10	1	HOSE ASSEMBLY	1-0119
11	1	TUBE ASSEMBLY	2-0062
12	1	3/8"DIA. PVC BRAIDED HOSE, 22'LG. (C/W FITTINGS)	6-1345
13	3	STREET TEE 1/4"NPT	6-0014
14	2	STREET ELBOW	6-0015
15	2	POLYTUBE STRAIGHT ADAPTER, 3/8" X 1/4"NPT	6-0710
16	1	HOSE 144"W/B	1-0120
17	3	12' COILED HOSE	6-0337
18	2	REAR SLIP PLATE WELDMENT	3-0197
19	1 SET (225)	BALL BEARING, 1/4"DIA.	6-0829
20	2	ROLL BACK RAMP WELDMENT	2-1958
21	2	FRONT BEARING CAGE	1-1070
22	4	TUBE CLAMP	6-0170
23	4	SELF TAP SCREW, #10 X 3/8"LG.	6-0169
24	2	PLUG, 1/4"NPT	6-0282
25	2	REAR BEARING CAGE	3-0196
26	1 SET (70)	BALL BEARING, 1/4" DIA.	6-0829
27	16	HEX HD. BOLT, 1/4"-20UNC X 3/4"LG.	6-0178
28	16	FLATWASHER, 1/4" I.D. x 3/4"OD, PLATED	6-0060
29	4	RETAINING BAR	2-1391
30	16	LOCKWASHER, 1/4"DIA.	6-0056
31	2	WHEELTRON TURNPLATE	4-0375

# 11.7 BAYSAVER CONSOLE



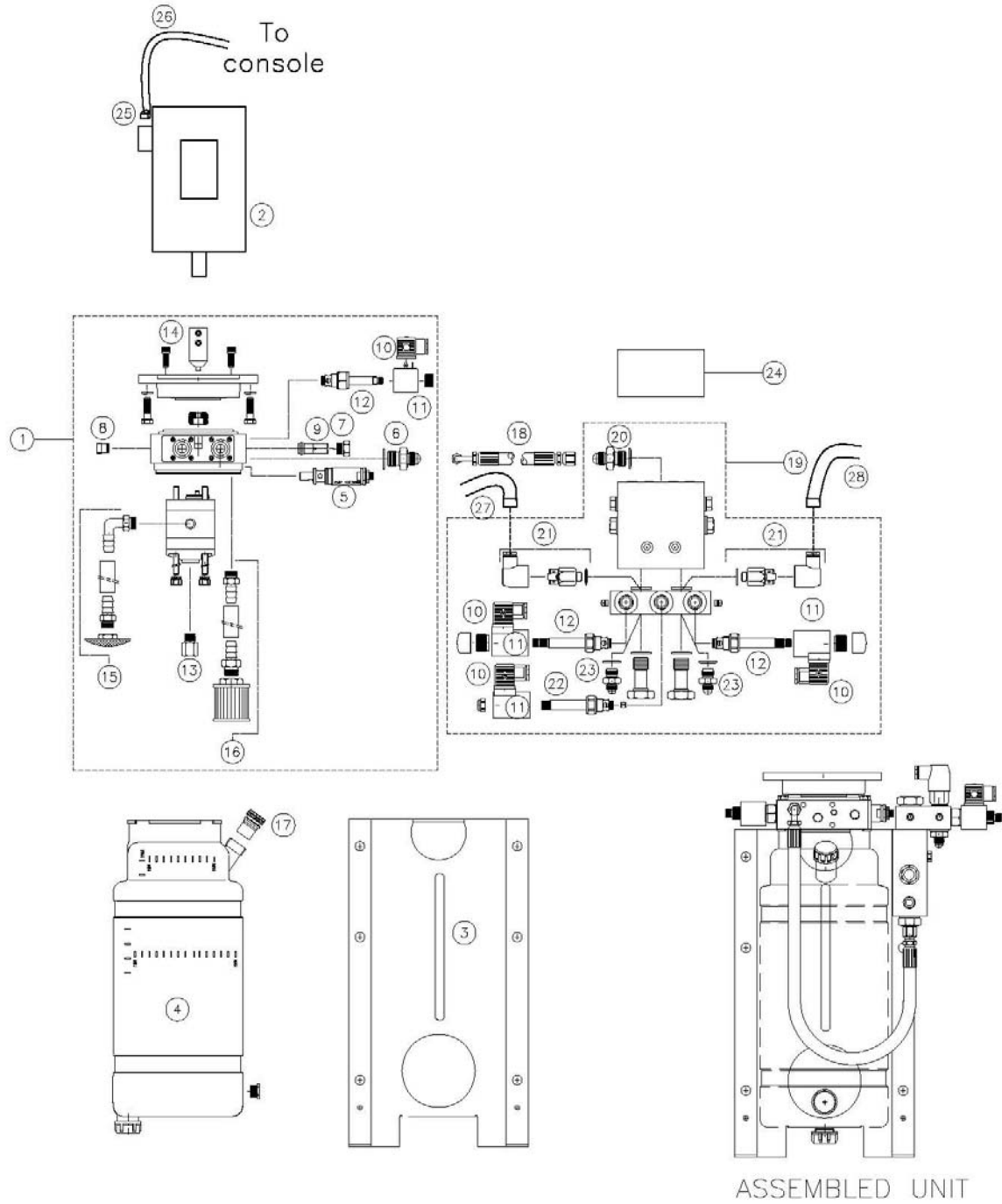
## 11.8 BAYSAVER CONSOLE PART LIST

ITEM	QTY	DESCRIPTION	PART #
1	1	CONSOLE TOP COVER	2-2128
2	2	PUSHBUTTON CONTACTS	6-1248
3	1	EMERGENCY PUSHBUTTON CONTACT	6-2922
4	2	PUSHBUTTON	6-1247
5	1	ELECTRICAL BACK PANEL	3-0900
6	1	GREEN LED	6-3580
7	2	PUSHBUTTON PLATE (UP/DOWN ARROW)	6-1251
8	1	EMERGENCY STOP PUSHBUTTON W/ RESET	6-2921
11	1	FRONT COVER	2-2126
12	1	MANUAL SAFETY RELEASE VALVE	6-1055
13	1	3/8" DIA. PVC BRAIDED HOSE. 16' LG. C/W FITTINGS	6-1345
14	1	TRANSFORMER, 220V	6-2126
		TRANSFORMER, 460V	6-2171
		TRANSFORMER, 600V	6-2147
15	1	TEE, 1/4" NPT M TO 1/4" NPT F TO 1/4" NPT F	6-0014
16	1	ADAPTER, 1/4" DIA. POLYTUBE TO 1/4" NPT M	6-1347
17	1	1/4" POLYTUBE, 12" LG.	6-1343
18	1	ADAPTER, 1/4" DIA. POLYTUBE TO 1/8" NPT M	6-0708
19	1	1/4" POLYTUBE, 24' LG.	6-1270
20	1	CONTACTOR BOARD, 3PH, 24V COIL	6-2172
	1	CONTACTOR BOARD, 1PH, 24V COIL	6-2173
21	1	THERMAL OVERLOAD, 1.8A – 2.8A (575V/3PH ONLY)	6-2174
		THERMAL OVERLOAD, 2.7A – 4.2A (460V/3PH ONLY)	6-2175
		THERMAL OVERLOAD, 6.0A – 9.2A (220V/3PH ONLY)	6-2176
22	1	PRINTED CIRCUIT BOARD	6-2125
23	1	DECAL SET	6-1344*
24	2	FUSE, 2A 600V	6-2178
25	2	STRAIN RELIEF, 1/2" (1 PHASE)	6-1370
		STRAIN RELIEF, 1/2" (3 PHASE)	6-0094
26	2	BULKHEAD, 1/4" NPT	6-0713
27	1	1/4" POLYTUBE TO 1/8" NPT 90° ELBOW ADAPTER	6-0709
28	6	STRAIN RELIEF, 1/4"	6-0092
29	1	HOSE END ADAPTOR – 1/4" NPT	6-1650
30	4	BOLT, #8-32NC X 1" LG.	6-1094
31	8	NUT, #8-32NC	6-1095
32	1	CONSOLE REAR COVER	2-2127
33	6	FLATWASHER, # 10 I.D.	6-0816
34	20	CONCRETE NAIL, 1/4" X 1" LG.	6-0141
35	4	CONDUIT LOCK-NUT	6-1610
36	20	SCREW, 10-24 PHILIPS 5/8" LG.	6-3075

NOTE : ITEMS MARKED \* NOT SHOWN

\*\*\*NOTE: SEE FOLLOWING PAGE FOR POWERPACK ASSEMBLY

# 11.9 9000 LB BAYSAVER POWERPACK



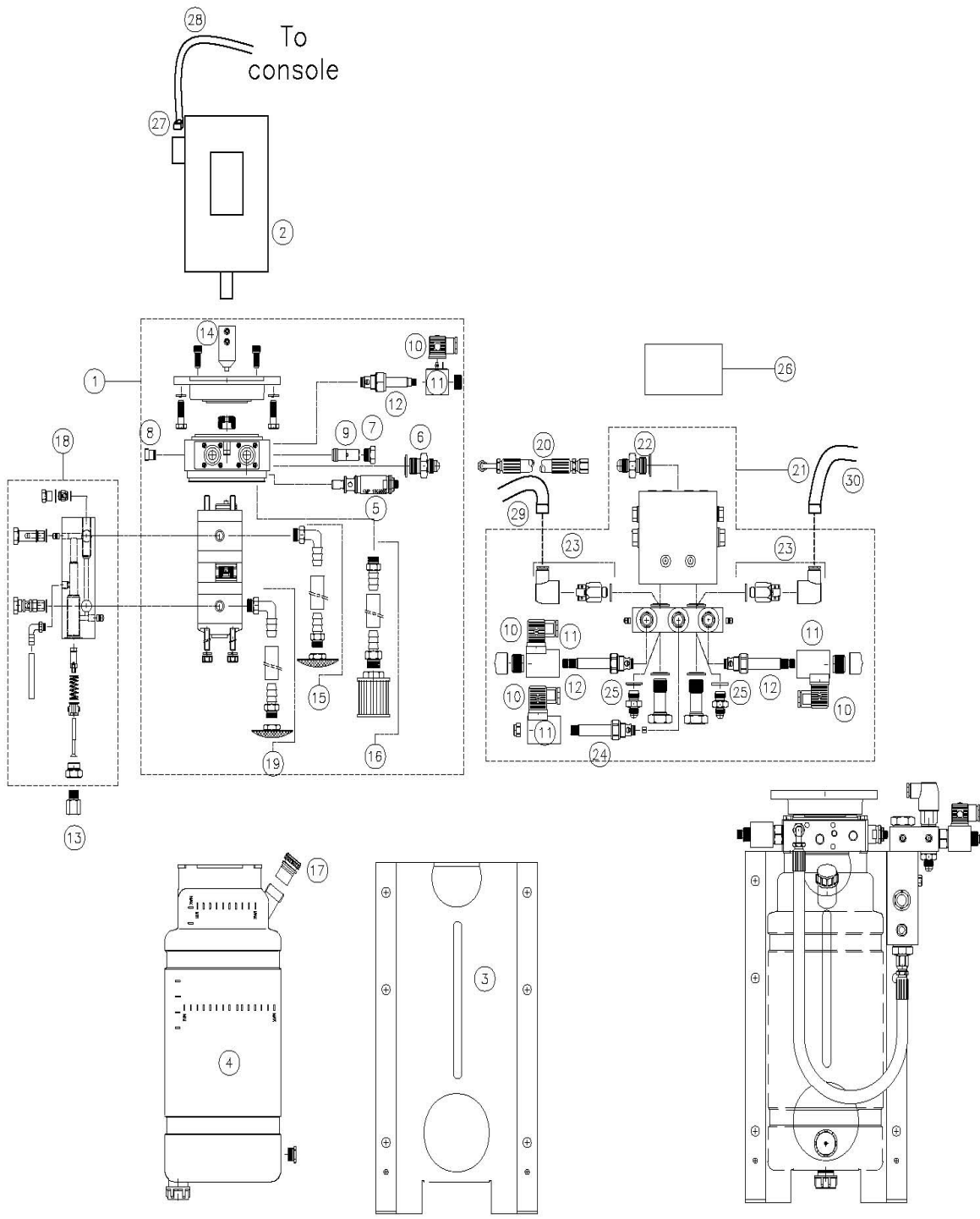
## 11.10 9,000 LB BAYSAVER POWERPACK PARTS LIST

ITEM NO.	QTY.	DESCRIPTION	PART NO.
1	1	COMPLETE PUMP ASSEMBLY	6-2229
2A	1	MOTOR, 220V (1 PHASE)	6-0087
2B		MOTOR, 220V (3 PHASE)	6-0446
2C		MOTOR, 575V (3 PHASE)	6-0447
3	1	PUMP TANK SKIRT	6-3226
4	1	TANK 10L PLASTIC	6-3224
5	1	RELIEF VALVE (4100 PSI)	6-3228
6	1	FITTING ¼ BSP- #6 JIC W/ BONDED SEAL	6-3227
7	1	PLUG ¾-16 C/W O-RING	6-3230
8	1	CHECK VALVE	6-2985
9	1	FLOW CONTROL -7.5L / MIN	6-2988
10	4	DIN CONNECTOR HIGH BODY SMALL CONDUIT	6-2236
11	4	COIL S8 24VDC	6-2128
12	3	CARTRIDGE VALVE N/C WITH MANUAL OVERIRDE	6-2129
13	1	BLEED OFF	6-2531
14	1	MOTOR COUPLER & NOIX CROSS	6-2537
15	1	PUMP INTAKE ASSEMBLY	6-2535
16	1	PUMP RETURN ASSEMBLY	6-2290
17	1	PRESS FIT FILLER BREATHER	6-3223
18	1	PRESSURE HOSE	6-3232
19	1	FLOW DIVIDER C/W SOLENOIDS	6-2315
20	1	FILTER FITTING ½ BSP- #6 JIC C/W BONDED SEAL	6-2553
21	2	PRESSURE SW C/W COVER + BONDED SEAL	6-2548
22	1	CARTRIDGE VALVE EQUALIZE VEI DT	6-1364
23	2	FILTER FITTING 3-8 BSP-#6 JIC C/W BONDED SEAL	6-2127
24	1	PRINTED CIRCUIT BOARD	6-2125
25A	1	½" STRAIN RELIEF (1 PHASE)	6-1370
25B		½" STRAIN RELIEF (3 PHASE)	6-0094
26A	1	MOTOR CABLE (1 PHASE)	1-0104
26B		MOTOR CABLE (3 PHASE)	1-1824
27	1	DRIVER SIDE HYDRAULIC HOSE	2-1049
28	1	PASSENGER SIDE HYDRAULIC HOSE	2-1050

**NOTE :** PUMP AND RESERVIOR KIT (INCLUDES 1, 3 TO 24) 6-3231

COMPLETE POWERPACK & CONSOLE ASSEMBLY	
220V, 1 PHASE	4-0798
220V, 3 PHASE	4-0801
460V, 3 PHASE	4-0932
575V, 3 PHASE	4-0802

## 11.11 12,000 LB BAYSAVER POWERPACK



ASSEMBLED UNIT

**11.12 12,000 LB BAYSAVER POWER PACK - PARTS LIST**

ITEM NO.	QTY.	DESCRIPTION	PART NO.
1	1	COMPLETE PUMP ASSEMBLY	6-3234
2A	1	MOTOR, 220V (1 PHASE)	6-0087
2B		MOTOR, 220V (3 PHASE)	6-0446
2C		MOTOR, 575V (3 PHASE)	6-0447
3	1	PUMP TANK SKIRT	6-3226
4	1	TANK 10L PLASTIC	6-3224
5	1	RELIEF VALVE (5400 PSI)	6-3238
6	1	FITTING ¼ BSP- #6 JIC W/ BONDED SEAL	6-3227
7	1	PLUG ¾-16 C/W O-RING	6-3230
8	1	CHECK VALVE	6-2985
9	1	FLOW CONTROL -7.5L / MIN	6-2988
10	4	DIN CONNECTOR HIGH BODY SMALL CONDUIT	6-2236
11	4	COIL S8 24VDC	6-2128
12	3	CARTRIDGE VALVE N/C WITH MANUAL OVERIRDE	6-2129
13	1	BLEED OFF	6-2531
14	1	MOTOR COUPLER & NOIX CROSS	6-2537
15	1	PUMP INTAKE ASSEMBLY (LONG)	6-2292
16	1	PUMP RETURN ASSEMBLY	6-2290
17	1	PRESS FIT FILLER BREATHER	6-3223
18	1	UNLOADING MANIFOLD ASSEMBLY	6-2555
19	1	PUMP INTAKE ASSEMBLY (SHORT)	6-2293
20	1	PRESSURE HOSE	6-3232
21	1	FLOW DIVIDER C/W SOLENOIDS	6-2315
22	1	FILTER FITTING ½ BSP- #6 JIC C/W BONDED SEAL	6-2553
23	2	PRESSURE SW C/W COVER + BONDED SEAL	6-2548
24	1	CARTRIDGE VALVE EQUALIZE VEI DT	6-1364
25	2	FILTER FITTING 3-8 BSP-#6 JIC C/W BONDED SEAL	6-2127
26	1	PRINTED CIRCUIT BOARD	6-2125
27A	1	½" STRAIN RELIEF (1 PHASE)	6-1370
27B		½" STRAIN RELIEF (3 PHASE)	6-0094
28A	1	MOTOR CABLE (1 PHASE)	1-0104
28B		MOTOR CABLE (3 PHASE)	1-1824
29	1	DRIVER SIDE HYDRAULIC HOSE	2-1049
30	1	PASSENGER SIDE HYDRAULIC HOSE	2-1050

**NOTE :** PUMP AND RESERVIOR KIT (INCLUDES 1, 3 TO 26) 6-3235

COMPLETE POWERPACK & CONSOLE ASSEMBLY	
220V, 1 PHASE	4-0900
220V, 3 PHASE	4-0901
460V, 3 PHASE	4-0933
575V, 3 PHASE	4-0902