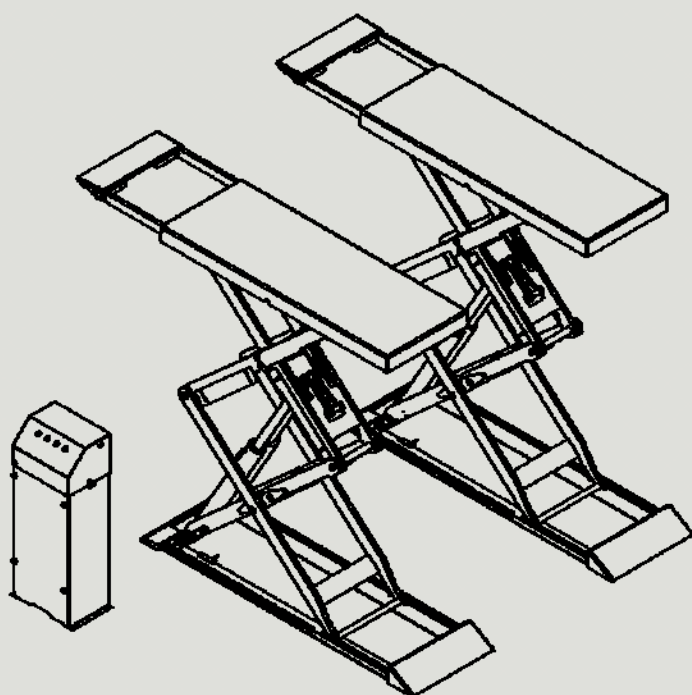


TWIN F III 3.0 / F 4.0

Scissors Lift

Parts Breakdown

ET082601-en



© MAHA GmbH & Co. KG.

Legal notice based on ISO 16016:

The reproduction, distribution and utilization of this document as well as the communication of its contents to others without explicit authorization is prohibited. Offenders will be held liable for the payment of damages. All rights reserved in the event of the grant of a patent, utility model or design.

The contents of this edition have been checked with great care. However, errors cannot be fully excluded. Subject to technical change without notice.

Document

Document №: ET082601-en
Approval Date: 31.05.2010

Manufacturer

MAHA Maschinenbau Haldenwang GmbH & Co. KG.
Hoyen 20
87490 Haldenwang
Germany

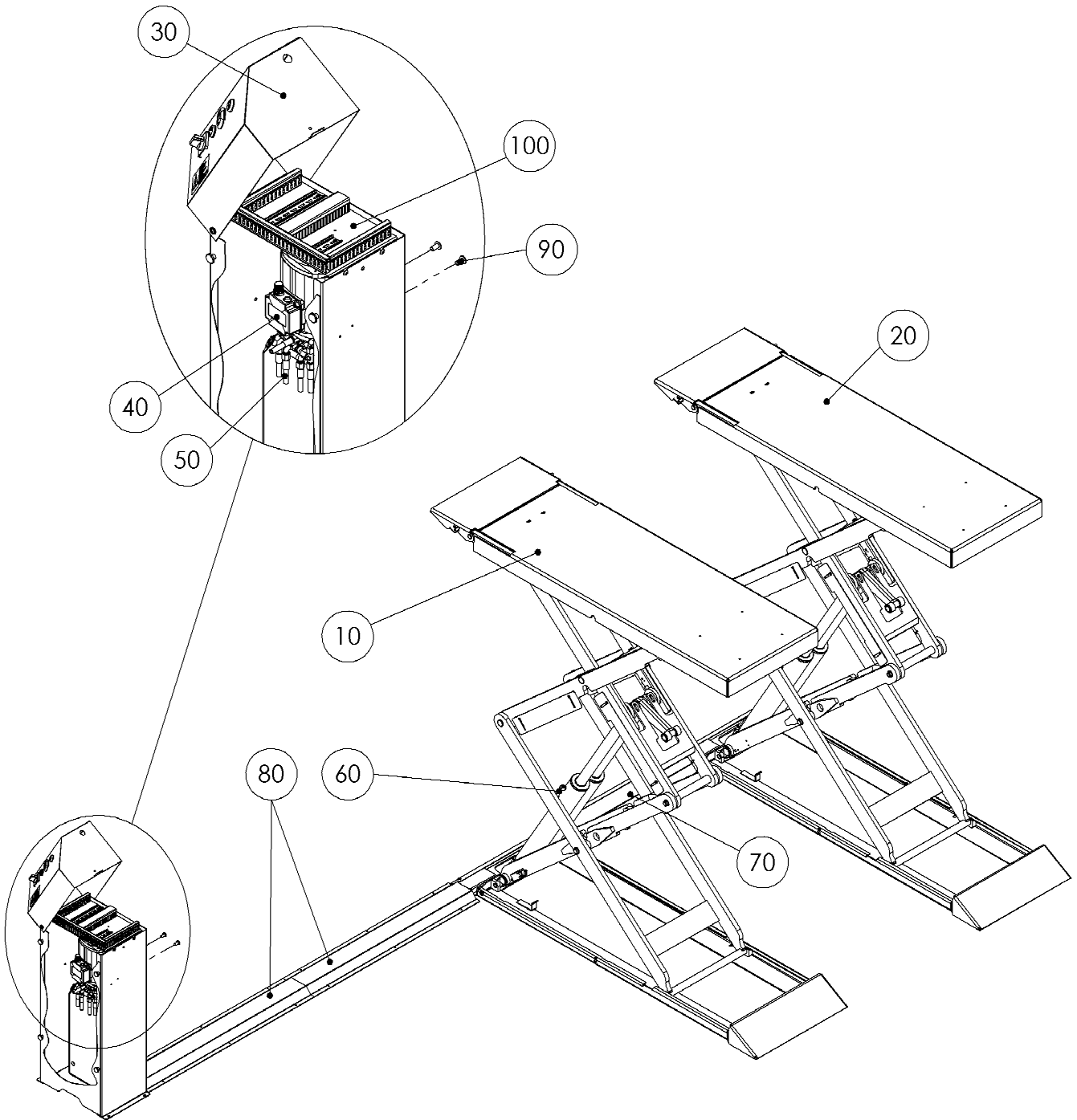
Phone: +49 (0) 8374 585 0
Fax: +49 (0) 8374 585 499
Fax Parts: +49 (0) 8374 585 565
Internet: <http://www.maha.de>
E-Mail: maha@maha.de
Hotline: +49 (0) 180 56242 60 for Brake Testers and Test Lanes
+49 (0) 180 56242 80 for Automotive Lifts
+49 (0) 180 56242 90 for Dynamometers and Emission Testers

Service

AutomoTec GmbH
Maybachstraße 8
87437 Kempten
Germany
Phone: +49 (0) 180 56242 50
Fax: +49 (0) 180 56242 55
Internet: <http://www.automo-tec.com>
E-Mail: service@automo-tec.com

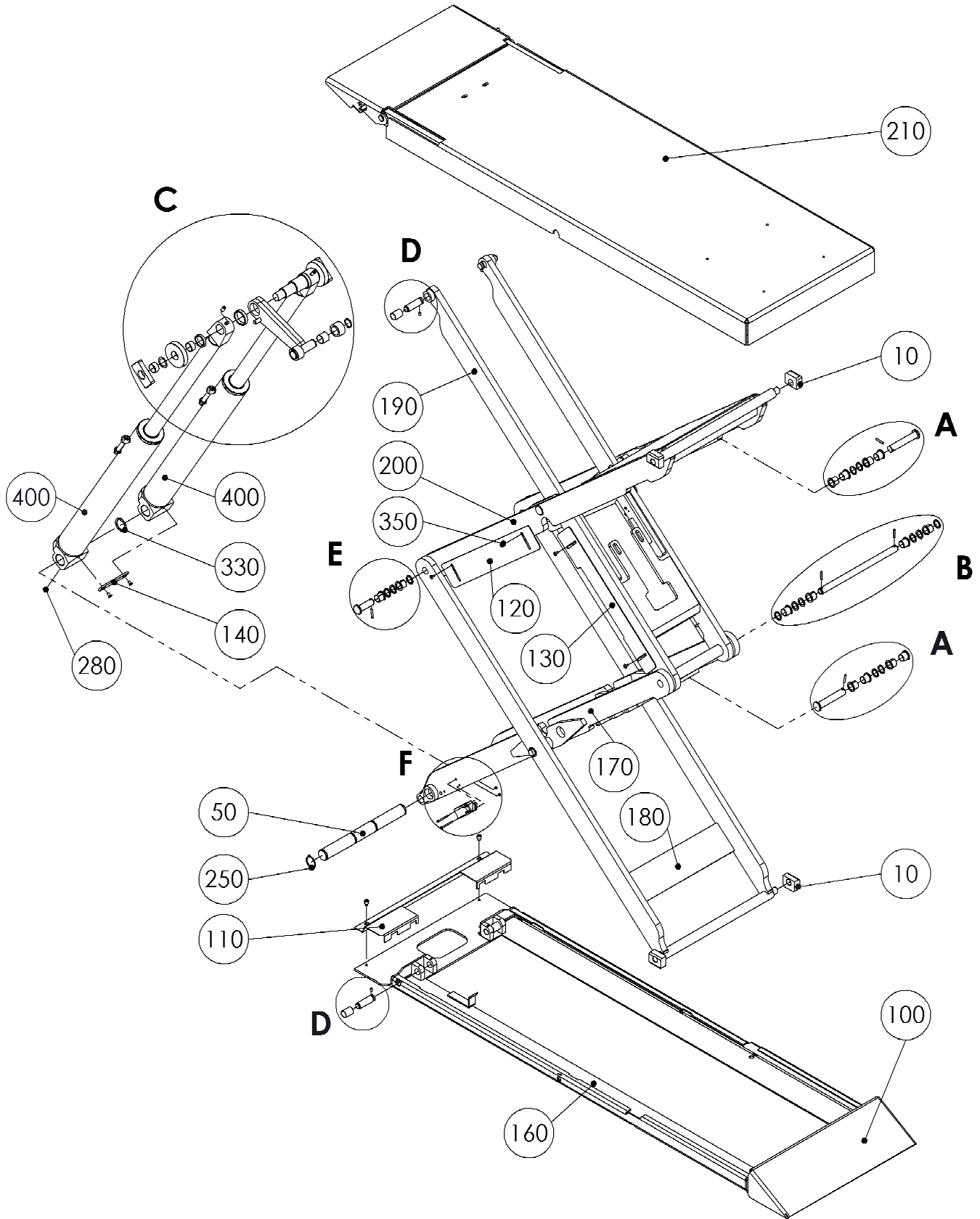
Contents

| | | |
|----------|---|-----------|
| 1 | TWIN F III 3.0 A | 4 |
| 1.1 | Scissors, Master Side | 6 |
| | Details | 8 |
| 1.2 | Scissors, Slave Side | 10 |
| | Details | 12 |
| 1.3 | Runway | 14 |
| 1.4 | Drive-Over Ramps | 15 |
| 1.5 | Frame | 16 |
| 2 | TWIN F III 3.0 U | 18 |
| 2.1 | Scissors, Master Side | 20 |
| | Details | 22 |
| 2.2 | Scissors, Slave Side | 24 |
| | Details | 26 |
| 2.3 | Runway | 28 |
| 3 | TWIN F 4.0 A/U | 30 |
| 3.1 | Scissors, Master Side | 32 |
| | Details | 34 |
| 3.2 | Scissors, Slave Side | 36 |
| | Details | 38 |
| 3.3 | Latch | 40 |
| 3.4 | Approach Ramps | 41 |
| 4 | Hydraulic | 42 |
| 4.1 | Control Desk | 42 |
| 4.2 | Hydraulic Inst. Kit, Control Desk | 43 |
| | 4.2.1 Hydraulic Power Unit, 50Hz | 44 |
| | 4.2.2 Hydraulic Power Unit, 60Hz | 46 |
| 4.3 | Hydraulic Inst. Kit, Connection | 48 |
| 4.4 | Hydraulic Inst. Kit, Cylinder | 49 |
| 5 | Electrical Equipment | 50 |
| 6 | Accessory | 57 |
| 7 | Anchors | 62 |



| Item No. | Spare Part | Description | Tooltip | Article Number |
|-----------------|--------------------------------------|--------------------|----------------|-----------------------|
| 10 | Scissors | Master Side | Section 1.1 | 030081 00087 0 |
| 20 | Scissors | Slave Side | Section 1.2 | 030081 00088 0 |
| 30 | Control Desk | | Section 4.1 | 030081 00135 0 |
| 40 | Hydraulic Inst. Kit | Control Desk | Section 4.2 | 030081 00174 0 |
| 50 | Hydraulic Inst. Kit | Connection | Section 4.3 | 030081 00175 0 |
| 60 | Hydraulic Inst. Kit | Cylinder | Section 4.4 | 030081 00176 0 |
| 70 | Cover | 790lg. | | 020081 01159 0 |
| 80 | Cover | 1000lg. | | 020081 01160 0 |
| 90 | Binding Head Screw | M10x20 | | 23 3220 |
| 100 | Mounting Plate, Pre-Assembled | | | 66 TWIN 400 |

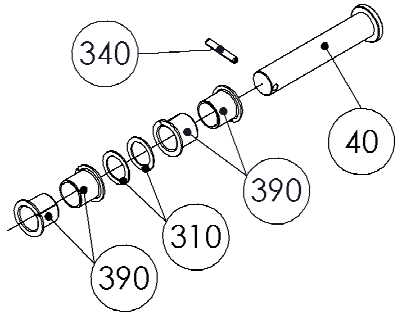
1.1 Scissors, Master Side (030081 00087 0)



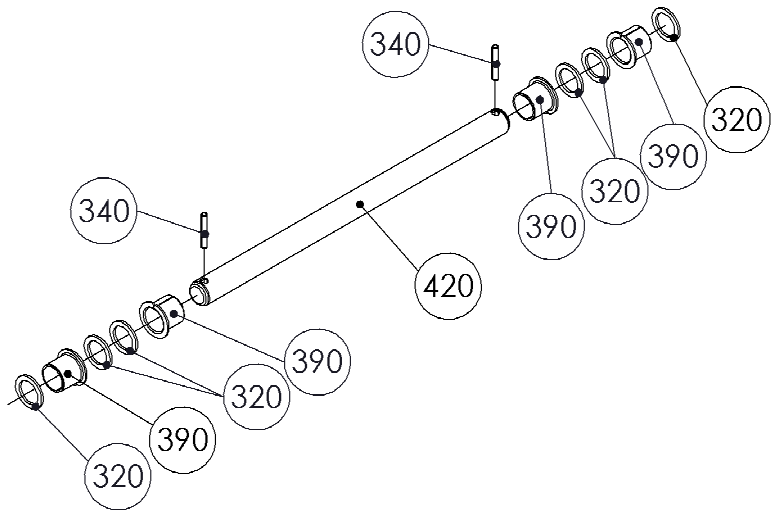
| Item No. | Spare Part | Description | Tooltip | Article Number |
|-----------------|--------------------|--------------------|----------------|-----------------------|
| 10 | Slider Block | | | 020081 00128 0 |
| 50 | Axle | Cylinder Support | | 020081 00163 0 |
| 100 | Ramp | | | 020081 00172 0 |
| 110 | Cover Plate | | | 020081 00173 0 |
| 120 | Protective Plate | | | 020081 00174 0 |
| 130 | Protective Plate | with Pocket | | 020081 00175 0 |
| 140 | Plate | | | 020081 00178 0 |
| 160 | Base Plate | | | 030081 00063 0 |
| 170 | Inner Scissors | Bottom | | 030081 00064 0 |
| 180 | Outer Scissors | Bottom | | 030081 00068 0 |
| 190 | Inner Scissors | Top | | 030081 00071 0 |
| 200 | Outer Scissors | Top | | 030081 00074 0 |
| 210 | Runway | | Section 1.3 | 030081 00077 0 |
| 250 | Snap Ring | 35x1,5 | | 22 0471 035 |
| 280 | Threaded Pin | M6x10 | | 22 0913 06010 3 |
| 330 | Shim Ring | 35x45x2,5 | | 22 0988 354525 1 |
| 350 | Binding Head Screw | M5x10 | | 23 3077 |
| 400 | Hydraulic Cylinder | Master Cylinder | | 26000124 |

Details

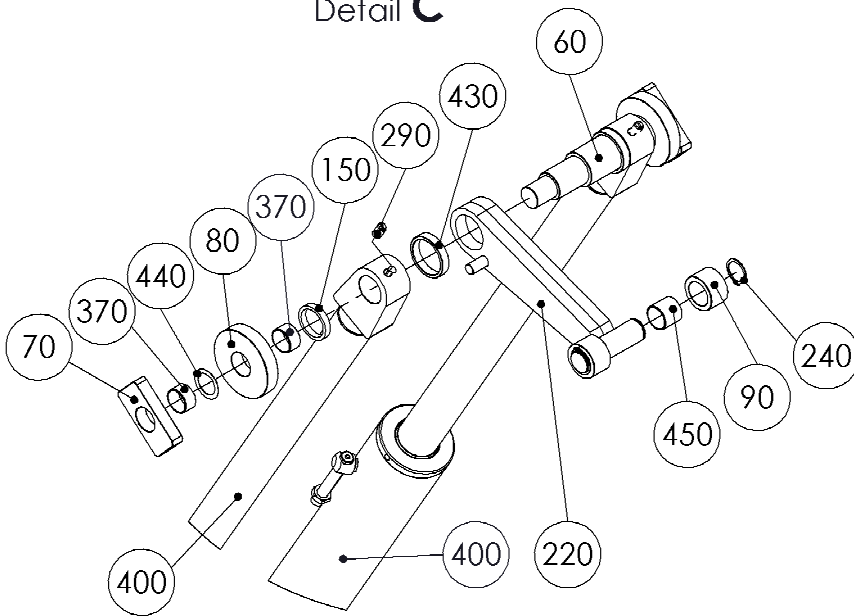
Detail **A**



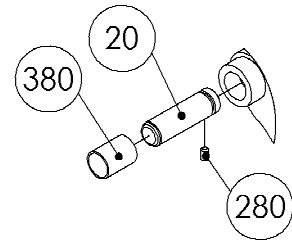
Detail **B**



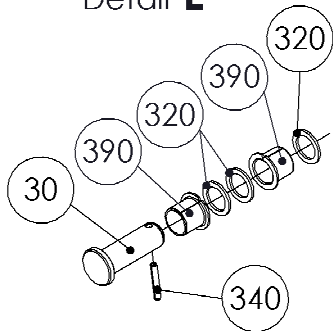
Detail **C**



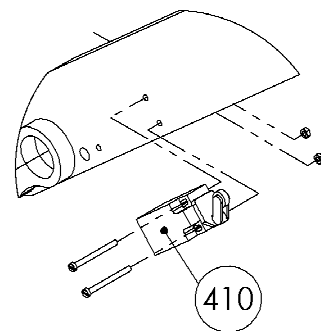
Detail **D**



Detail **E**

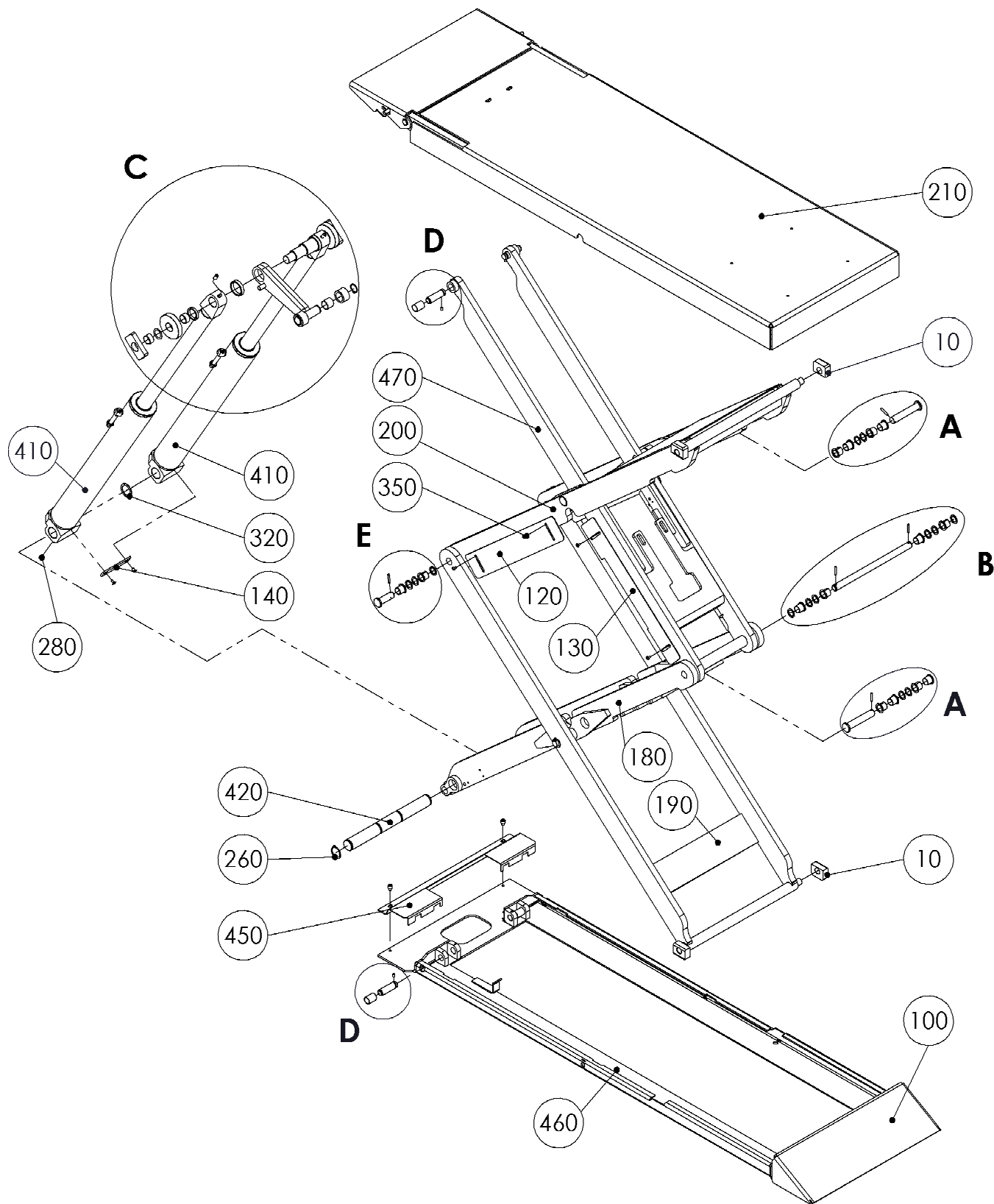


Detail **F**



| Item No. | Spare Part | Description | Article Number |
|-----------------|--------------------|----------------------|-----------------------|
| 20 | Pin | ∅ 20x67 | 020081 00160 0 |
| 30 | Pin | ∅ 30x65 | 020081 00161 0 |
| 40 | Pin | ∅ 30x117 | 020081 01208 0 |
| 60 | Axle | Scissors Support | 020081 00164 0 |
| 70 | Slider Block | | 020081 00169 0 |
| 80 | Roller | ∅ 80x16 | 020081 00170 0 |
| 90 | Roller | ∅ 40x25 | 020081 01307 0 |
| 150 | Spacer Sleeve | ∅ 40x5x7 | 020081 00179 0 |
| 220 | Lever | | 030081 00187 0 |
| 240 | Snap Ring | 25x1,2 | 22 0471 025 |
| 280 | Threaded Pin | M6x10 | 22 0913 06010 3 |
| 290 | Threaded Pin | M10x18 | 22 0551 10018 1 |
| 310 | Shim Ring | 20x28x1 | 22 0988 202810 |
| 320 | Shim Ring | 20x28x2 | 22 0988 202820 1 |
| 340 | Dowel Pin | 5x30 | 22 1481 05030 |
| 370 | Friction Bearing | CSB-10 - 2515 | 24 1725 7 |
| 380 | Friction Bearing | GLY.PG 202330 F | 24000004 |
| 390 | Friction Bearing | PBG 202321.5 F ; GLY | 24000014 |
| 400 | Hydraulic Cylinder | Master Cylinder | 26000124 |
| 410 | Limit Switch | | 51 0317 |
| 420 | Axle | ∅ 20x325 | 020081 01148 0 |
| 430 | Spacer Ring | ∅ 48,3x4x10 | 020081 01265 0 |
| 440 | Shim Ring | 25x35x0,5 | 22 0988 253505 |
| 450 | Friction Bearing | CSB-10 - 2525 | 24 1725 5 |

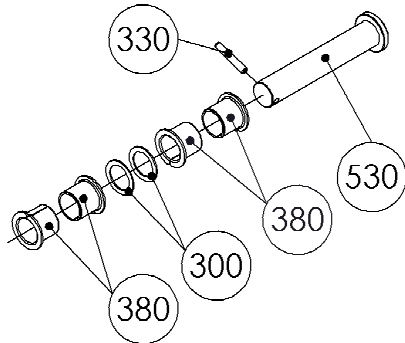
1.2 Scissors, Slave Side (030081 00088 0)



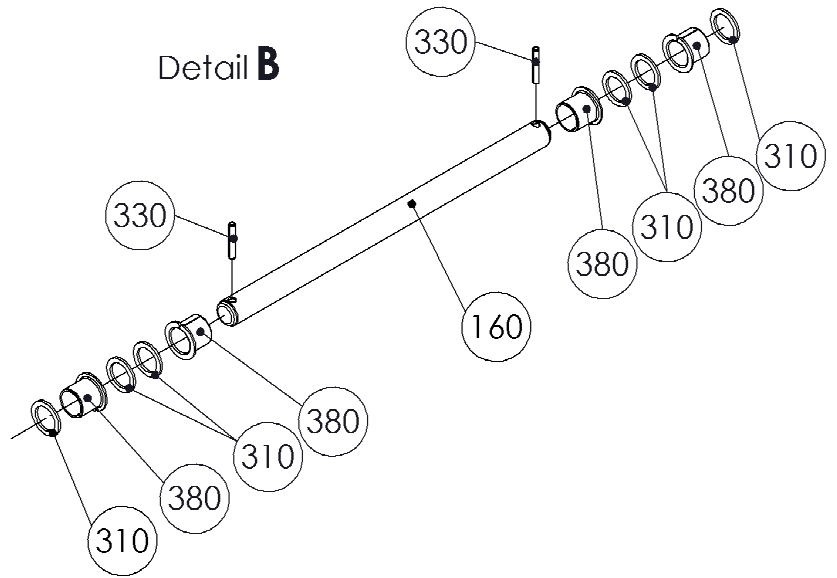
| Item No. | Spare Part | Description | Tooltip | Article Number |
|----------|--------------------|------------------|-------------|------------------|
| 10 | Slider Block | | | 020081 00128 0 |
| 100 | Ramp | | | 020081 00172 0 |
| 120 | Protective Plate | | | 020081 00174 0 |
| 130 | Protective Plate | with Pocket | | 020081 00175 0 |
| 140 | Plate | | | 020081 00178 0 |
| 180 | Inner Scissors | Bottom | | 030081 00064 0 |
| 190 | Outer Scissors | Bottom | | 030081 00068 0 |
| 200 | Outer Scissors | Top | | 030081 00074 0 |
| 210 | Runway | | Section 1.3 | 030081 00077 0 |
| 260 | Snap Ring | 35x1,5 | | 22 0471 035 |
| 280 | Threaded Pin | M6x10 | | 22 0913 06010 3 |
| 320 | Shim Ring | 35x45x2,5 | | 22 0988 354525 1 |
| 350 | Binding Head Screw | M5x10 | | 23 3077 |
| 410 | Hydraulic Cylinder | Slave Side | | 26000125 |
| 420 | Axle | Cylinder Support | | 020081 00163 0 |
| 450 | Cover Plate | | | 020081 00173 0 |
| 460 | Base Plate | | | 030081 00063 0 |
| 470 | Inner Scissors | Top | | 030081 00071 0 |

Details

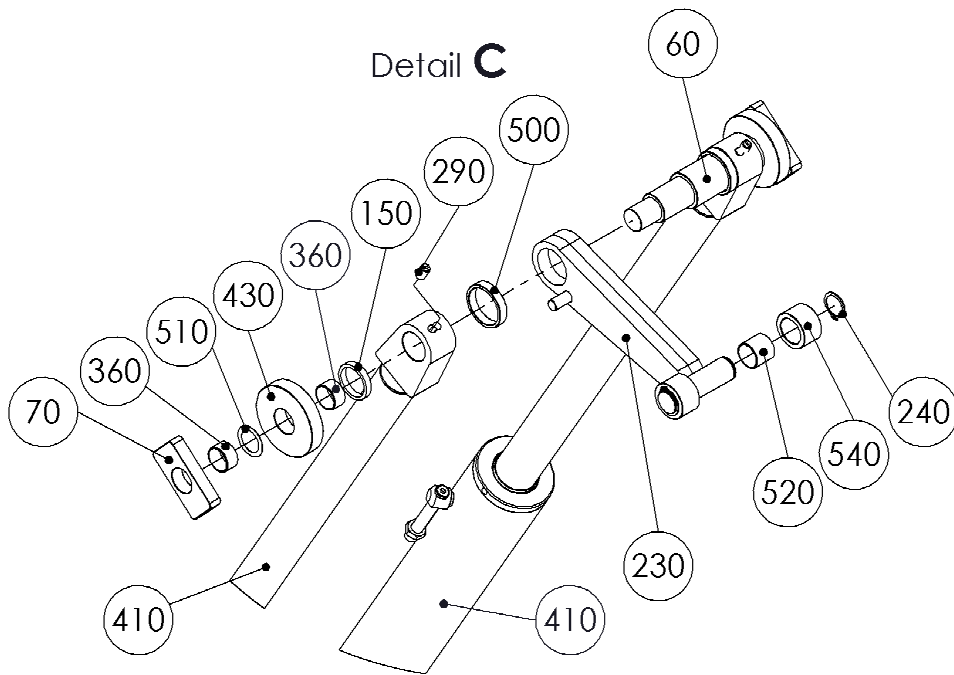
Detail **A**



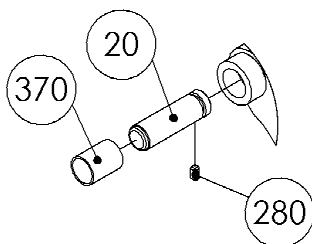
Detail **B**



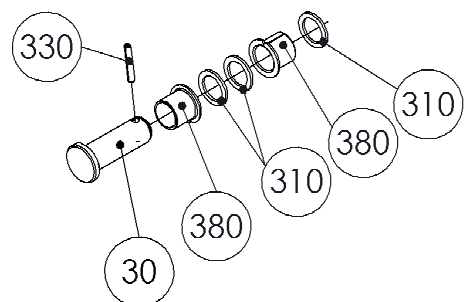
Detail **C**



Detail **D**

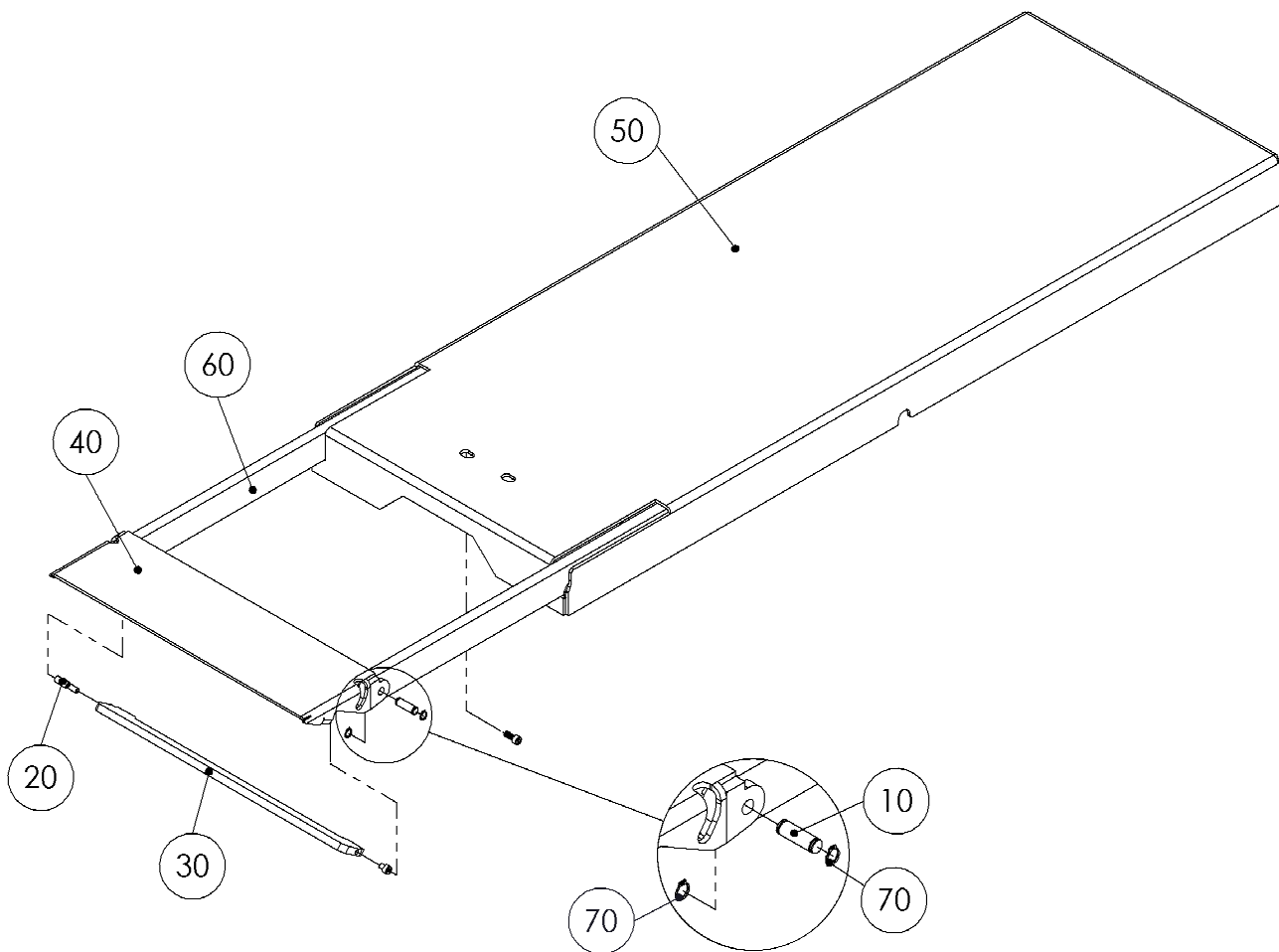


Detail **E**



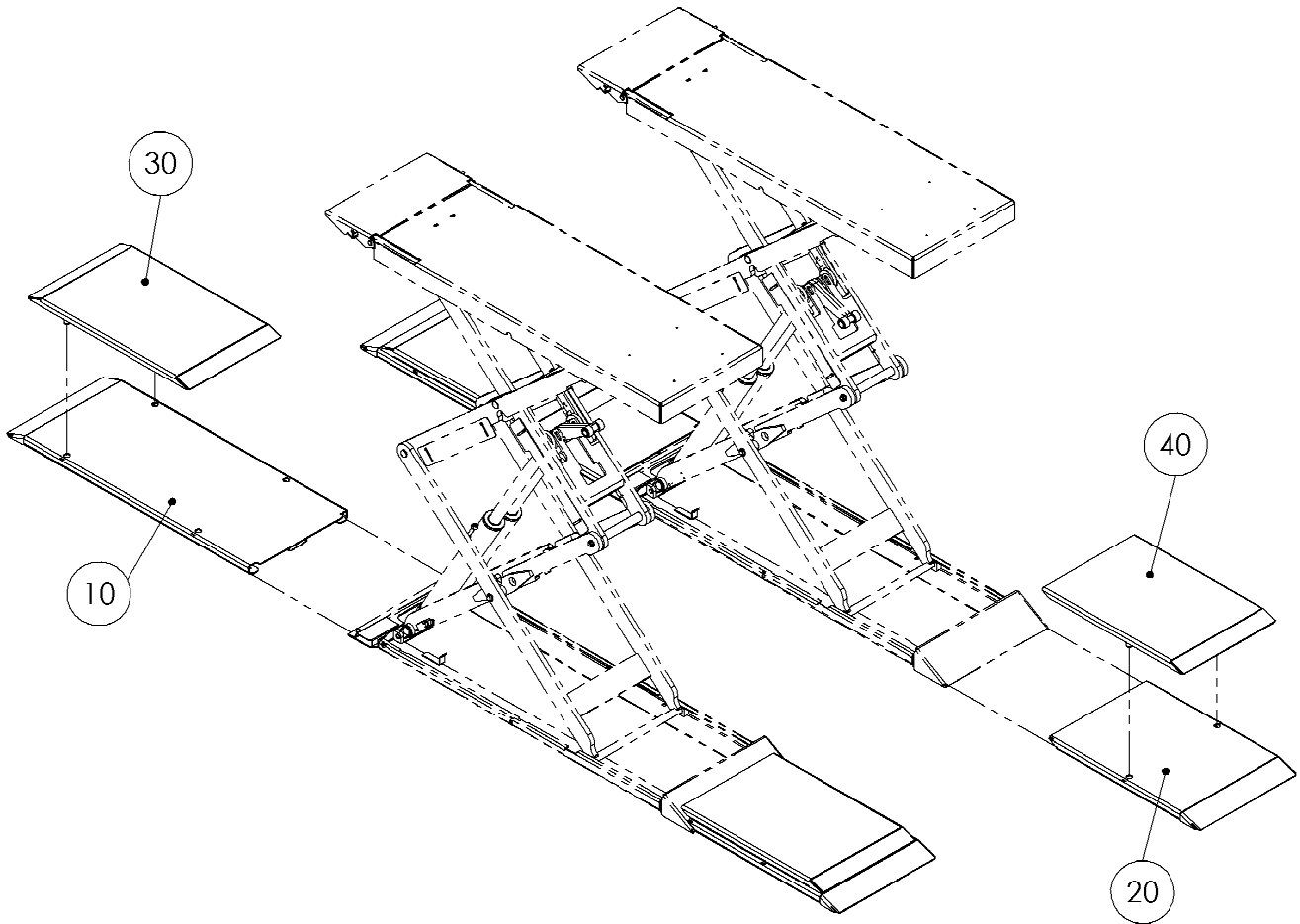
| Item No. | Spare Part | Description | Article Number |
|-----------------|--------------------|----------------------|-----------------------|
| 20 | Pin | ∅ 20x67 | 020081 00160 0 |
| 30 | Pin | ∅ 30x65 | 020081 00161 0 |
| 60 | Axle | Scissors Support | 020081 00164 0 |
| 70 | Slider Block | | 020081 00169 0 |
| 150 | Spacer Sleeve | ∅ 40x5x7 | 020081 00179 0 |
| 160 | Axle | ∅ 20x325 | 020081 01148 0 |
| 230 | Lever | | 030081 00187 0 |
| 250 | Snap Ring | 25x1,2 | 22 0471 025 |
| 280 | Threaded Pin | M6x10 | 22 0913 06010 3 |
| 290 | Threaded Pin | M10x18 | 22 0551 10018 1 |
| 300 | Shim Ring | 20x28x1 | 22 0988 202810 |
| 310 | Shim Ring | 20x28x2 | 22 0988 202820 1 |
| 330 | Dowel Pin | 5x30 | 22 1481 05030 |
| 360 | Friction Bearing | CSB-10 - 2515 | 24 1725 7 |
| 370 | Friction Bearing | GLY.PG 202330 F | 24000004 |
| 380 | Friction Bearing | PBG 202321.5 F ; GLY | 24000014 |
| 410 | Hydraulic Cylinder | Slave Side | 26000125 |
| 430 | Roller | ∅ 80x16 | 020081 00170 0 |
| 500 | Spacer Ring | ∅ 48,3x4x10 | 020081 01265 0 |
| 510 | Shim Ring | 25x35x0,5 | 22 0988 253505 |
| 520 | Friction Bearing | CSB-10 - 2525 | 24 1725 5 |
| 530 | Pin | ∅ 30x117 | 020081 01208 0 |
| 540 | Roller | ∅ 40x25 | 020081 01307 0 |

1.3 Runway (030081 00077 0)



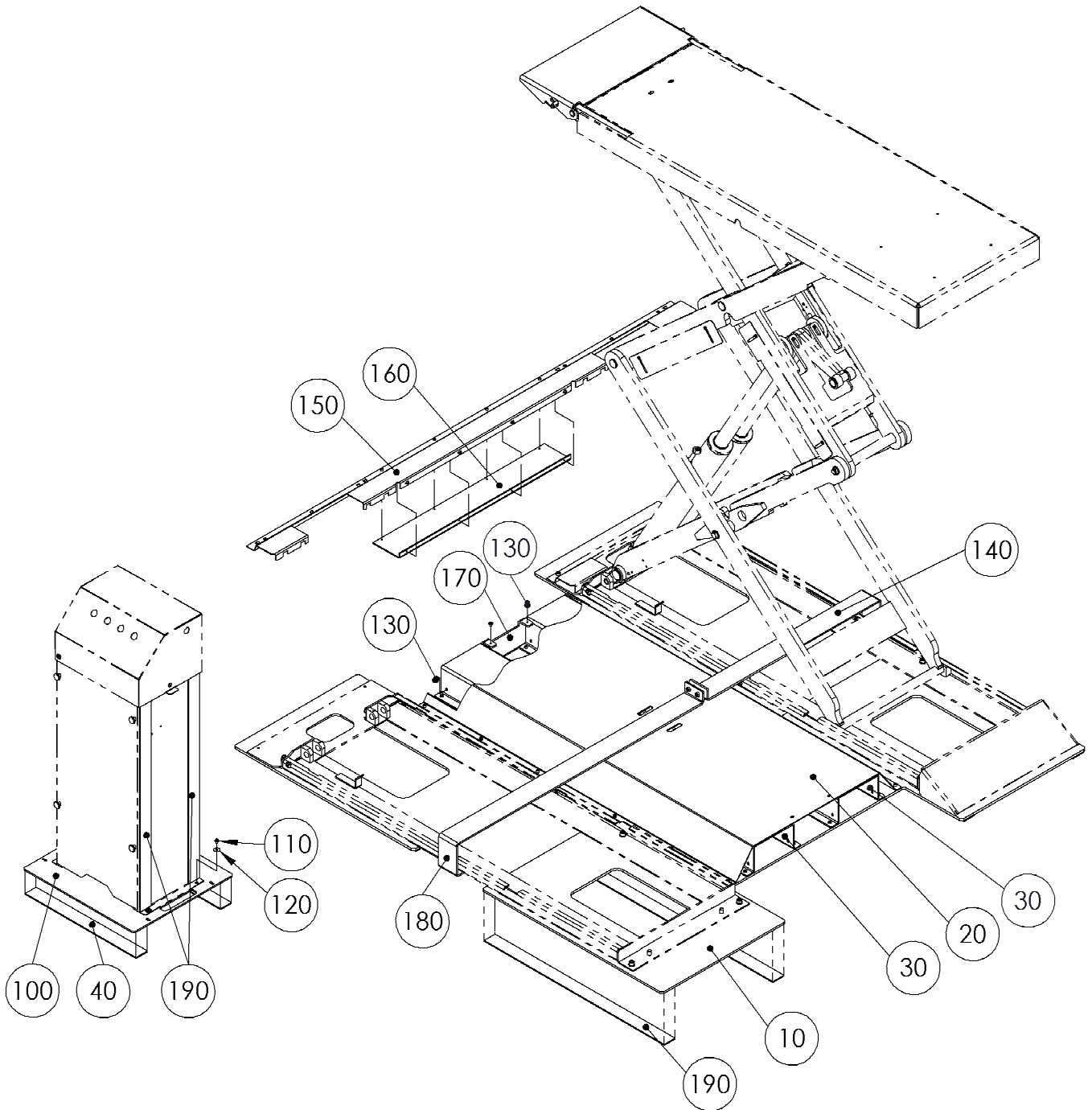
| Item No. | Spare Part | Description | Article Number |
|----------|---------------|-------------|----------------|
| 10 | Pin | ø 12x40 | 020081 00143 0 |
| 20 | Handle | ø 10x50 | 020081 00144 0 |
| 30 | Movable Plate | | 020081 00145 0 |
| 40 | Ramp | | 030081 00080 0 |
| 50 | Runway | | 030081 00129 0 |
| 60 | Drawer | | 030081 00131 0 |
| 70 | Snap Ring | 12x1 | 22 0471 012 |

1.4 Drive-Over Ramps

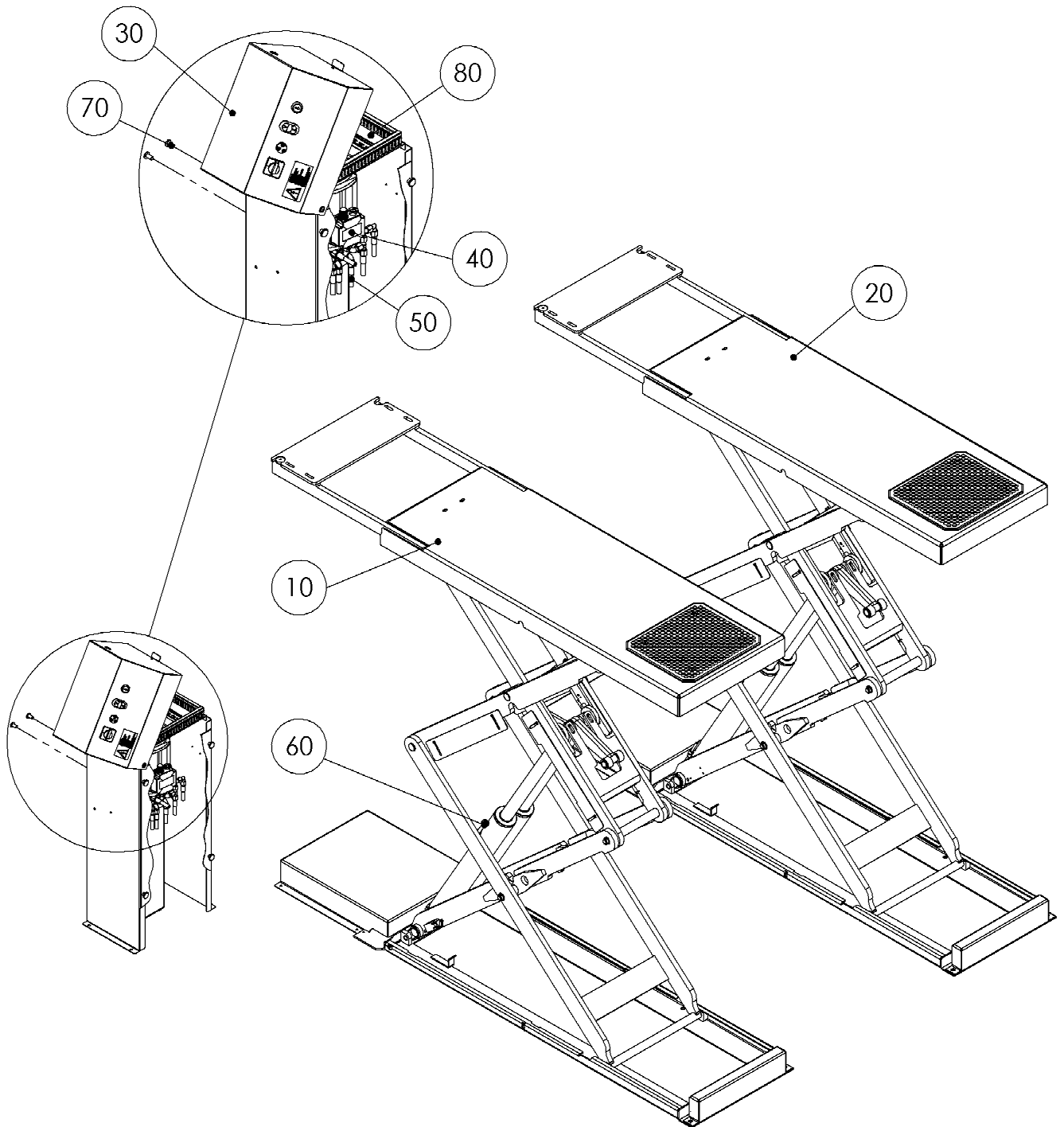


| Item No. | Spare Part | Description | Article Number |
|----------|-----------------|-------------|----------------|
| 10 | Drive-Over Ramp | Long | 030081 00144 0 |
| 20 | Drive-Over Ramp | Short | 030081 00145 0 |
| 30 | Adapter | Long | 030081 00162 0 |
| 40 | Adapter | Short | 030081 00163 0 |

1.5 Frame (030081 00089 0)

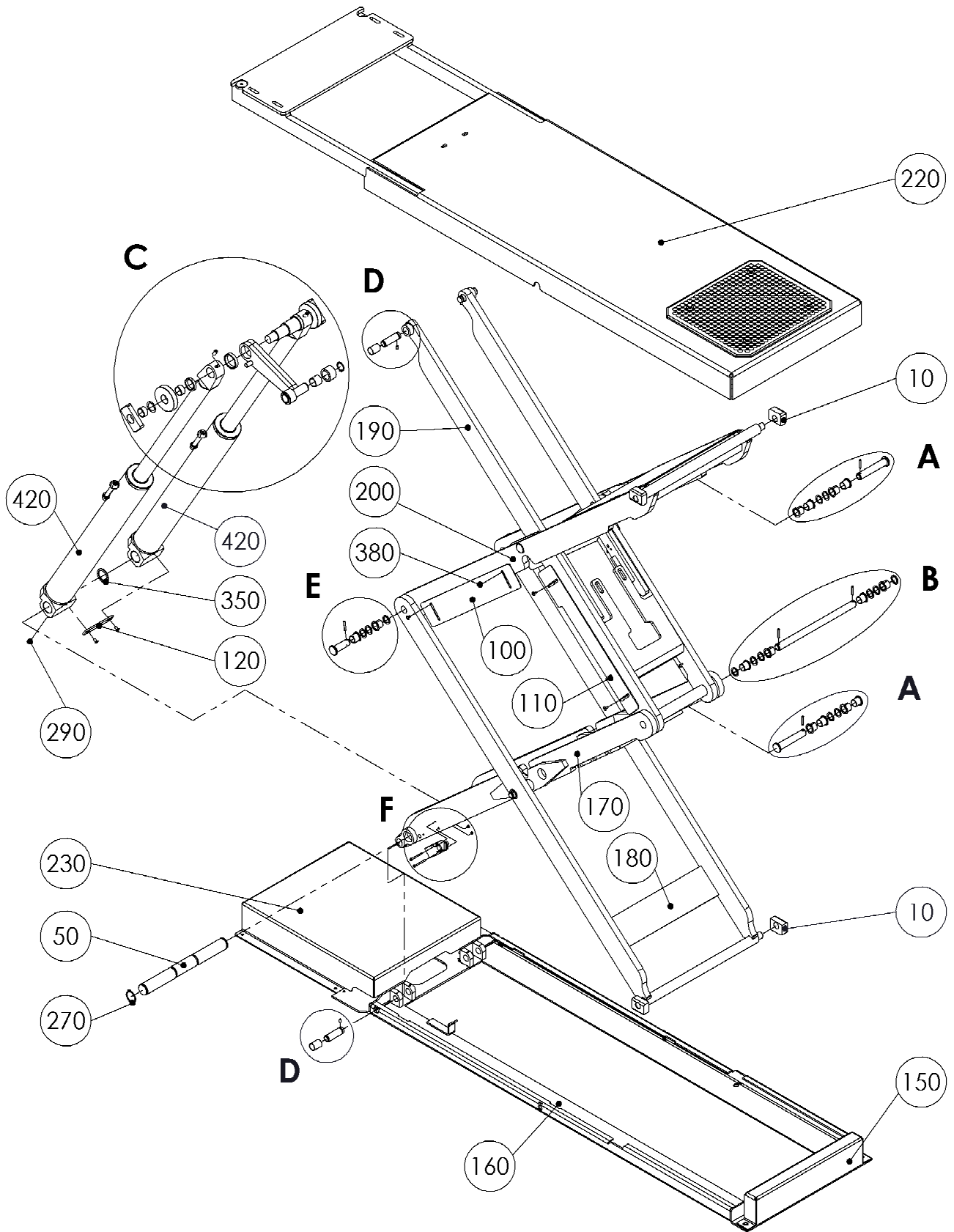


| Item No. | Spare Part | Description | Article Number |
|-----------------|--------------------|--------------------|-----------------------|
| 10 | Floor Plate | | 020081 01048 0 |
| 20 | Cover | | 020081 01049 0 |
| 30 | Support | | 020081 01050 0 |
| 40 | Rubber Pad | 500lg. | 17 5036 |
| 100 | Plate | | 020081 01052 0 |
| 110 | Binding Head Screw | M6x10 | 23 3078 |
| 120 | Fender Washer | 20x6,5x1,5 | 23 2200 |
| 130 | Binding Head Screw | M6x8 | 23 3076 |
| 140 | Bar | | 020081 01126 0 |
| 150 | Cover Plate | | 020081 01128 0 |
| 160 | Cover | | 020081 01129 0 |
| 170 | Angle | | 020081 01133 0 |
| 180 | Bar | | 020081 01167 0 |
| 190 | Rubber Pad | 810lg. | 17 5035 |



| Item No. | Spare Part | Description | Tooltip | Article Number |
|-----------------|--------------------------------------|--------------------|----------------|-----------------------|
| 10 | Scissors | Master Side | Section 2.1 | 030081 00123 0 |
| 20 | Scissors | Slave Side | Section 2.2 | 030081 00124 0 |
| 30 | Control Desk | | Section 4.1 | 030081 00135 0 |
| 40 | Hydraulic Inst. Kit | Control Desk | Section 4.2 | 030081 00174 0 |
| 50 | Hydraulic Inst. Kit | Connection | Section 4.3 | 030081 00175 0 |
| 60 | Hydraulic Inst. Kit | Cylinder | Section 4.4 | 030081 00176 0 |
| 70 | Binding Head Screw | M10x20 | | 23 3220 |
| 80 | Mounting Plate, Pre-Assembled | | | 66 TWIN 400 |

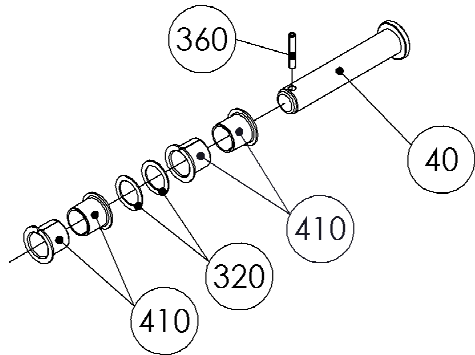
2.1 Scissors, Master Side (030081 00123 0)



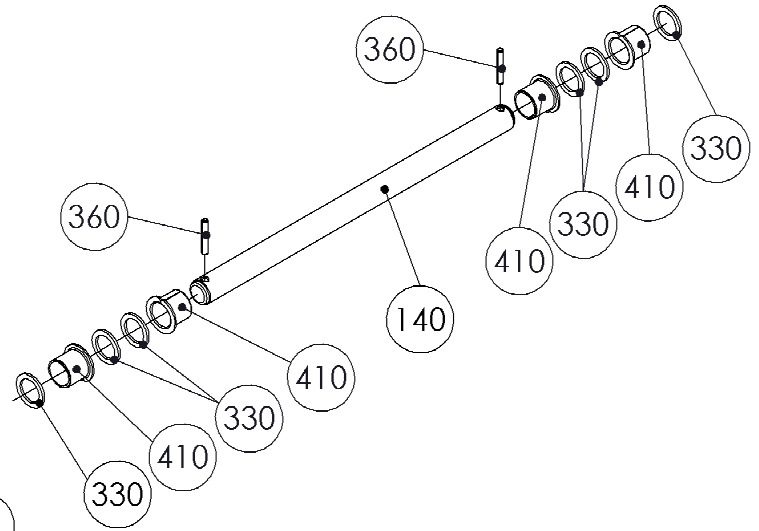
| Item No. | Spare Part | Description | Tooltip | Article Number |
|-----------------|--------------------|--------------------|----------------|-----------------------|
| 10 | Slider Block | | | 020081 00128 0 |
| 50 | Axle | Cylinder Support | | 020081 00163 0 |
| 100 | Protective Plate | | | 020081 00174 0 |
| 110 | Protective Plate | with Pocket | | 020081 00175 0 |
| 120 | Plate | | | 020081 00178 0 |
| 150 | Insert Part | | | 020081 01164 0 |
| 160 | Base Plate | | | 030081 00063 0 |
| 170 | Inner Scissors | Bottom | | 030081 00064 0 |
| 180 | Outer Scissors | Bottom | | 030081 00068 0 |
| 190 | Inner Scissors | Top | | 030081 00071 0 |
| 200 | Outer Scissors | Top | | 030081 00074 0 |
| 220 | Runway | | Section 2.3 | 030081 00128 0 |
| 230 | Insert Part | | | 030081 00151 0 |
| 270 | Snap Ring | 35x1,5 | | 22 0471 035 |
| 290 | Threaded Pin | M6x10 | | 22 0913 06010 3 |
| 350 | Shim Ring | 35x45x2,5 | | 22 0988 354525 1 |
| 380 | Binding Head Screw | M5x10 | | 23 3077 |
| 420 | Hydraulic Cylinder | Master Cylinder | | 26000124 |

Details

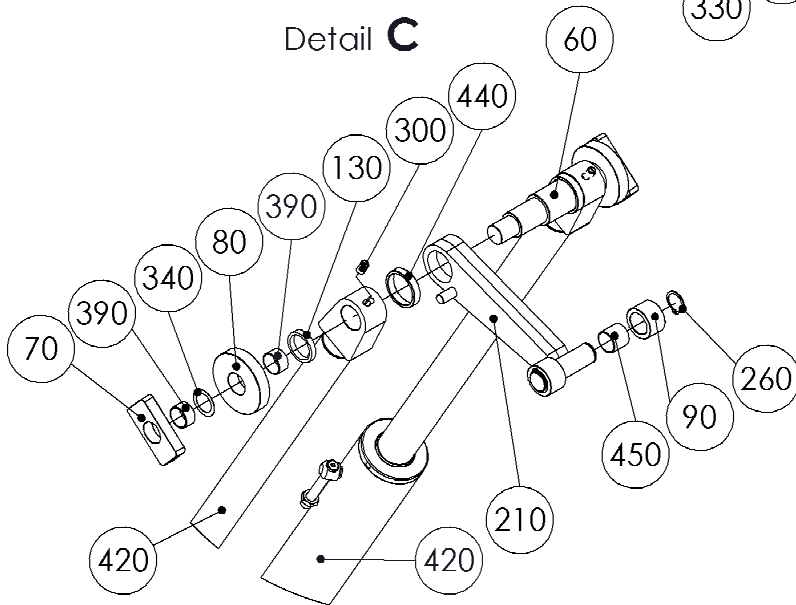
Detail **A**



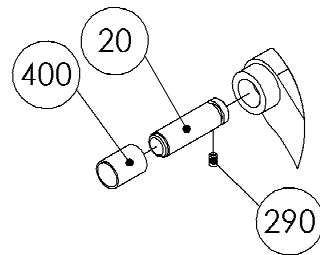
Detail **B**



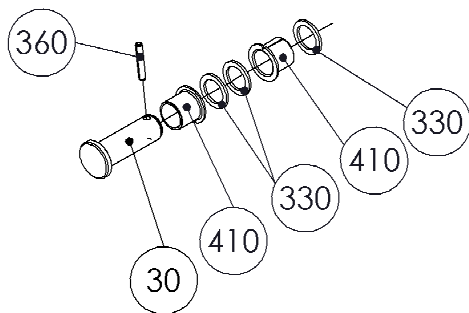
Detail **C**



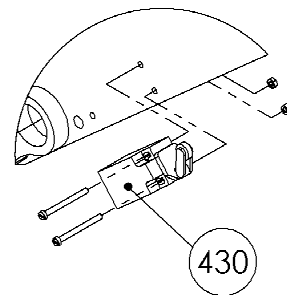
Detail **D**



Detail **E**

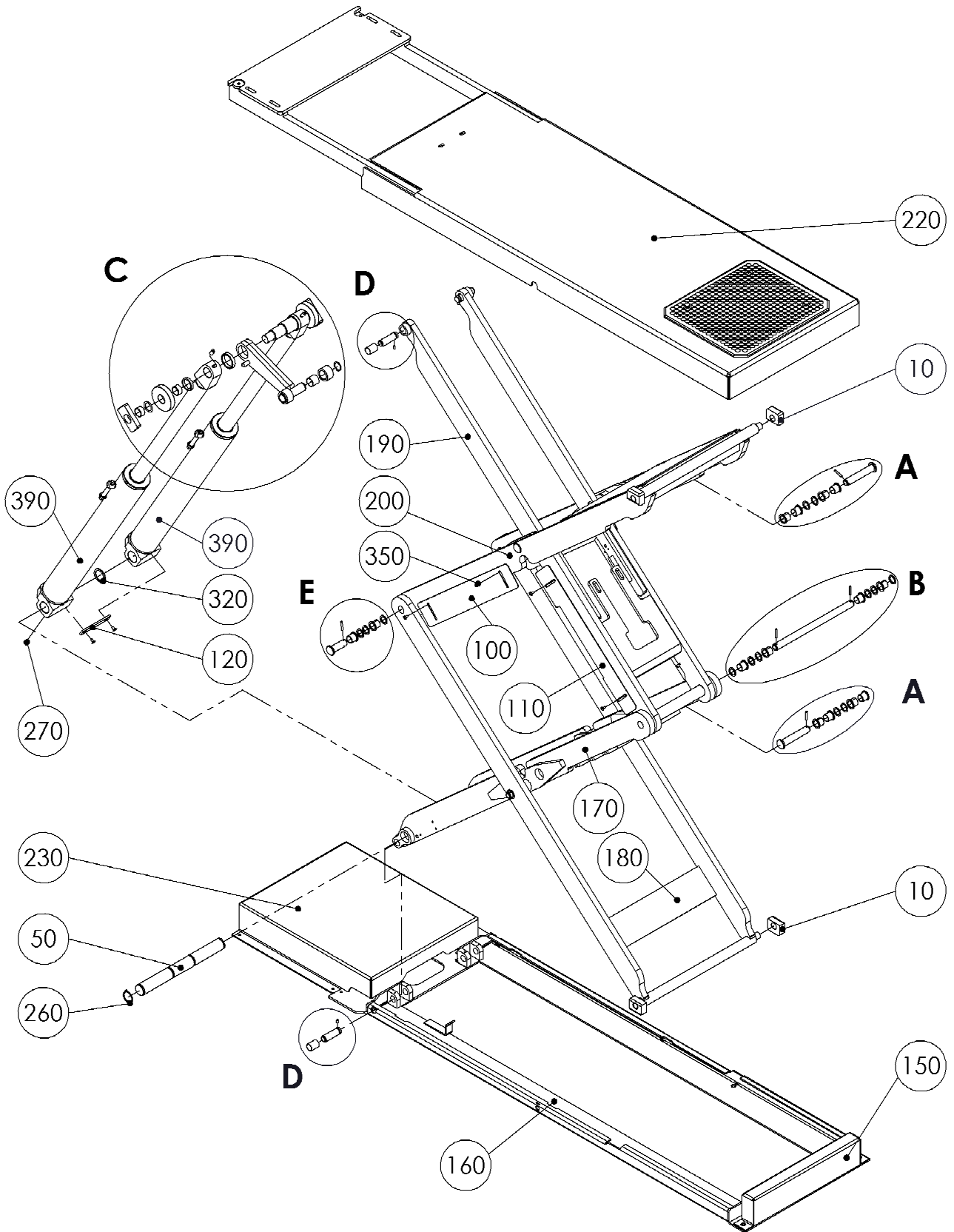


Detail **F**



| Item No. | Spare Part | Description | Article Number |
|----------|--------------------|----------------------|------------------|
| 20 | Pin | ∅ 20x67 | 020081 00160 0 |
| 30 | Pin | ∅ 30x65 | 020081 00161 0 |
| 40 | Pin | ∅ 30x117 | 020081 01208 0 |
| 60 | Axle | Scissors Support | 020081 00164 0 |
| 70 | Slider Block | | 020081 00169 0 |
| 80 | Roller | ∅ 80x16 | 020081 00170 0 |
| 90 | Roller | ∅ 40x25 | 020081 01307 0 |
| 130 | Spacer Sleeve | ∅ 40x5x7 | 020081 00179 0 |
| 140 | Axle | ∅ 20x325 | 020081 01148 0 |
| 210 | Lever | | 030081 00187 0 |
| 260 | Snap Ring | 25x1,2 | 22 0471 025 |
| 290 | Threaded Pin | M6x10 | 22 0913 06010 3 |
| 300 | Threaded Pin | M10x18 | 22 0551 10018 1 |
| 320 | Shim Ring | 20x28x1 | 22 0988 202810 |
| 330 | Shim Ring | 20x28x2 | 22 0988 202820 1 |
| 340 | Shim Ring | 25x35x0,5 | 22 0988 253505 |
| 360 | Dowel Pin | 5x30 | 22 1481 05030 |
| 390 | Friction Bearing | CSB-10 - 2515 | 24 1725 7 |
| 400 | Friction Bearing | GLY.PG 202330 F | 24000004 |
| 410 | Friction Bearing | PBG 202321.5 F ; GLY | 24000014 |
| 420 | Hydraulic Cylinder | Master Cylinder | 26000124 |
| 430 | Limit Switch | | 51 0317 |
| 440 | Spacer Ring | ∅ 48,3x4x10 | 020081 01265 0 |
| 450 | Friction Bearing | CSB-10 - 2525 | 24 1725 5 |

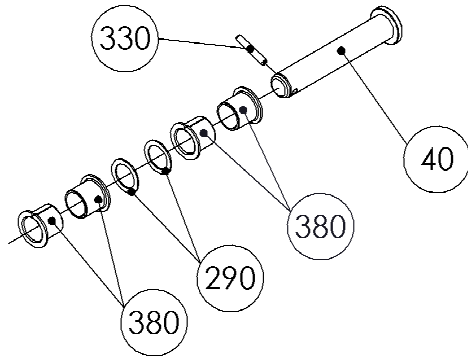
2.2 Scissors, Slave Side (030081 00124 0)



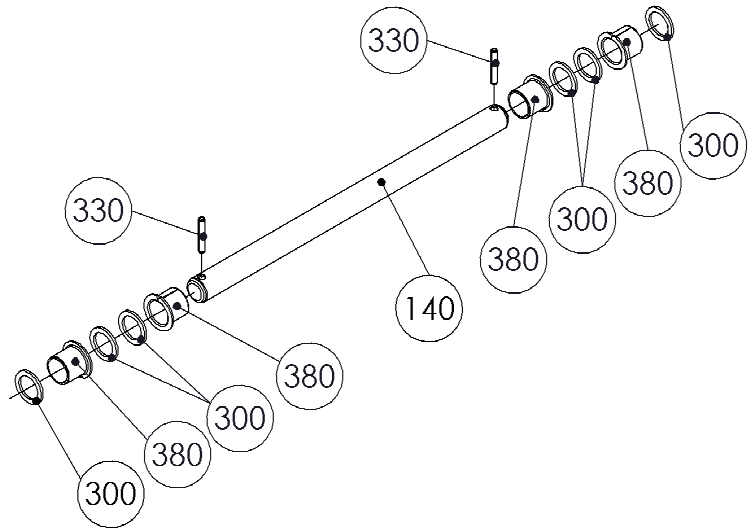
| Item No. | Spare Part | Description | Tooltip | Article Number |
|-----------------|--------------------|--------------------|----------------|-----------------------|
| 10 | Slider Block | | | 020081 00128 0 |
| 50 | Axle | Cylinder Support | | 020081 00163 0 |
| 100 | Protective Plate | | | 020081 00174 0 |
| 110 | Protective Plate | with Pocket | | 020081 00175 0 |
| 120 | Plate | | | 020081 00178 0 |
| 150 | Insert Part | | | 020081 01164 0 |
| 160 | Base Plate | | | 030081 00063 0 |
| 170 | Inner Scissors | Bottom | | 030081 00064 0 |
| 180 | Outer Scissors | Bottom | | 030081 00068 0 |
| 190 | Inner Scissors | Top | | 030081 00071 0 |
| 200 | Outer Scissors | Top | | 030081 00074 0 |
| 220 | Runway | | Section 2.3 | 030081 00128 0 |
| 230 | Insert Part | | | 030081 00151 0 |
| 260 | Snap Ring | 35x1,5 | | 22 0471 035 |
| 270 | Threaded Pin | M6x10 | | 22 0913 06010 3 |
| 320 | Shim Ring | 35x45x2,5 | | 22 0988 354525 1 |
| 350 | Binding Head Screw | M5x10 | | 23 3077 |
| 390 | Hydraulic Cylinder | Slave Side | | 26000125 |

Details

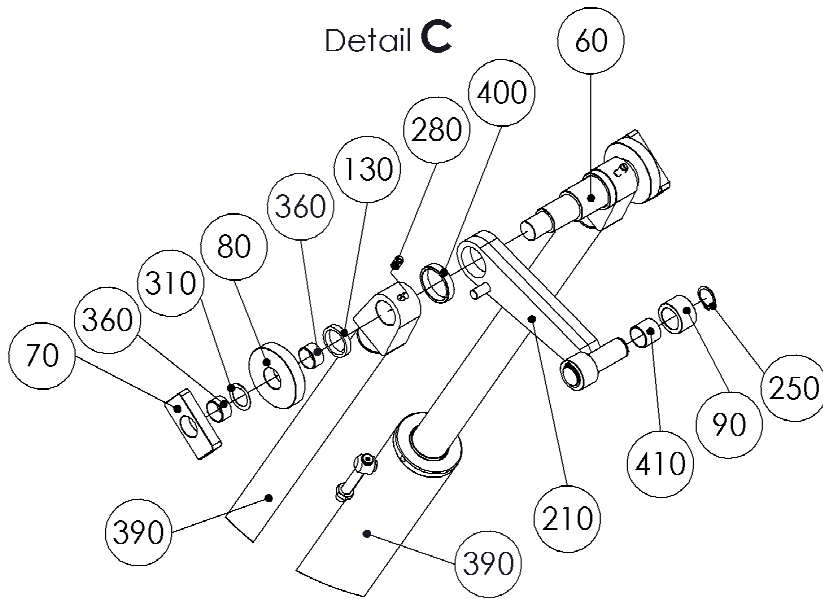
Detail **A**



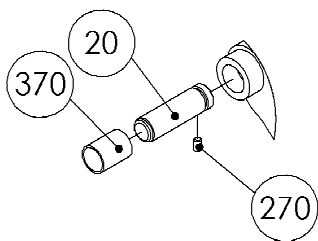
Detail **B**



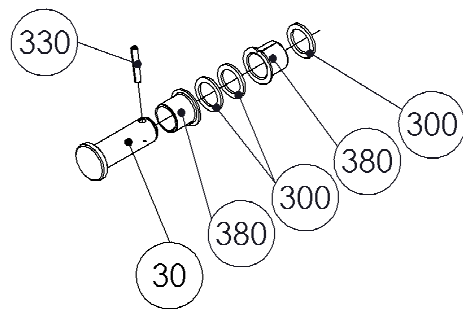
Detail **C**



Detail **D**

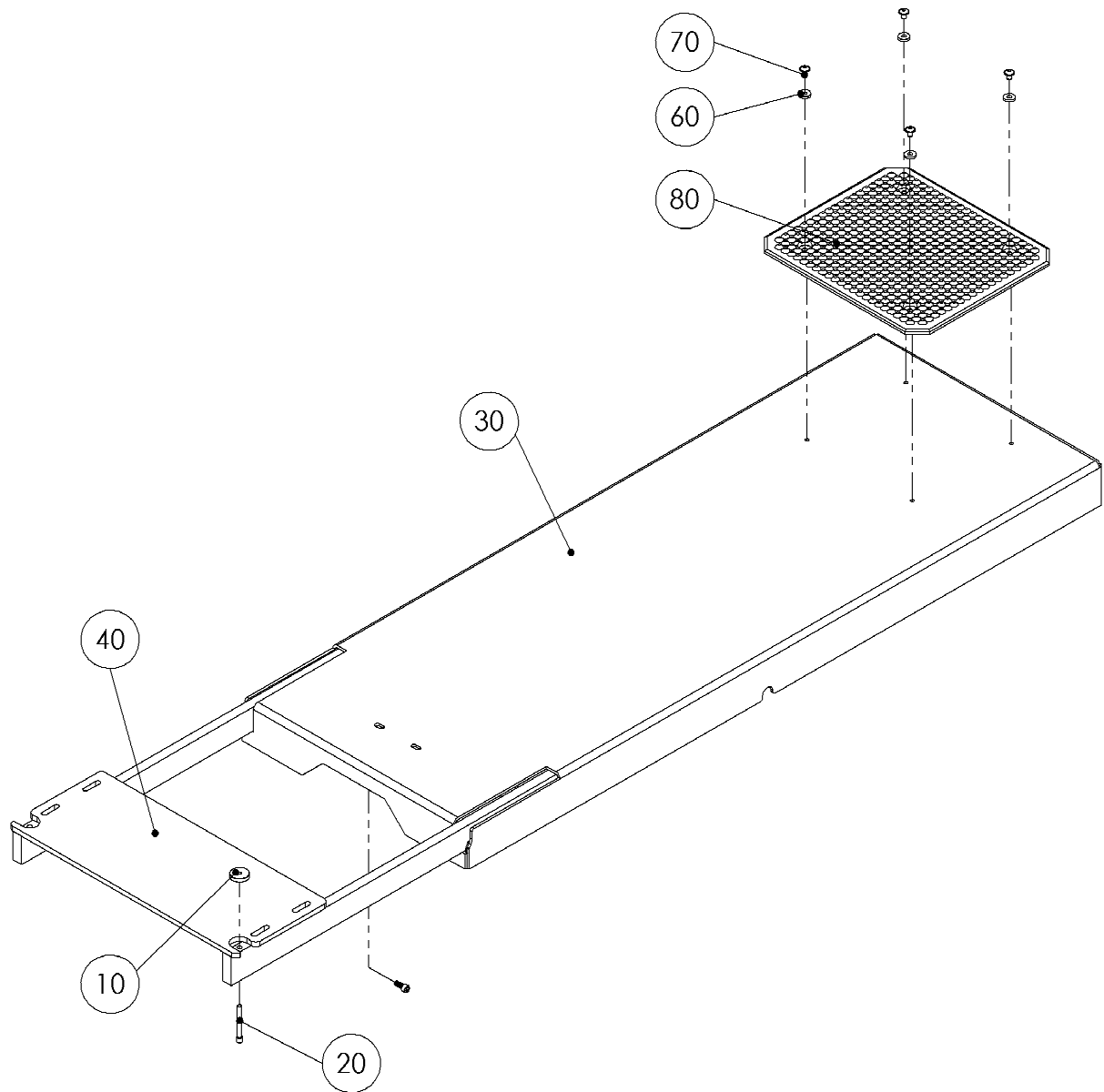


Detail **E**

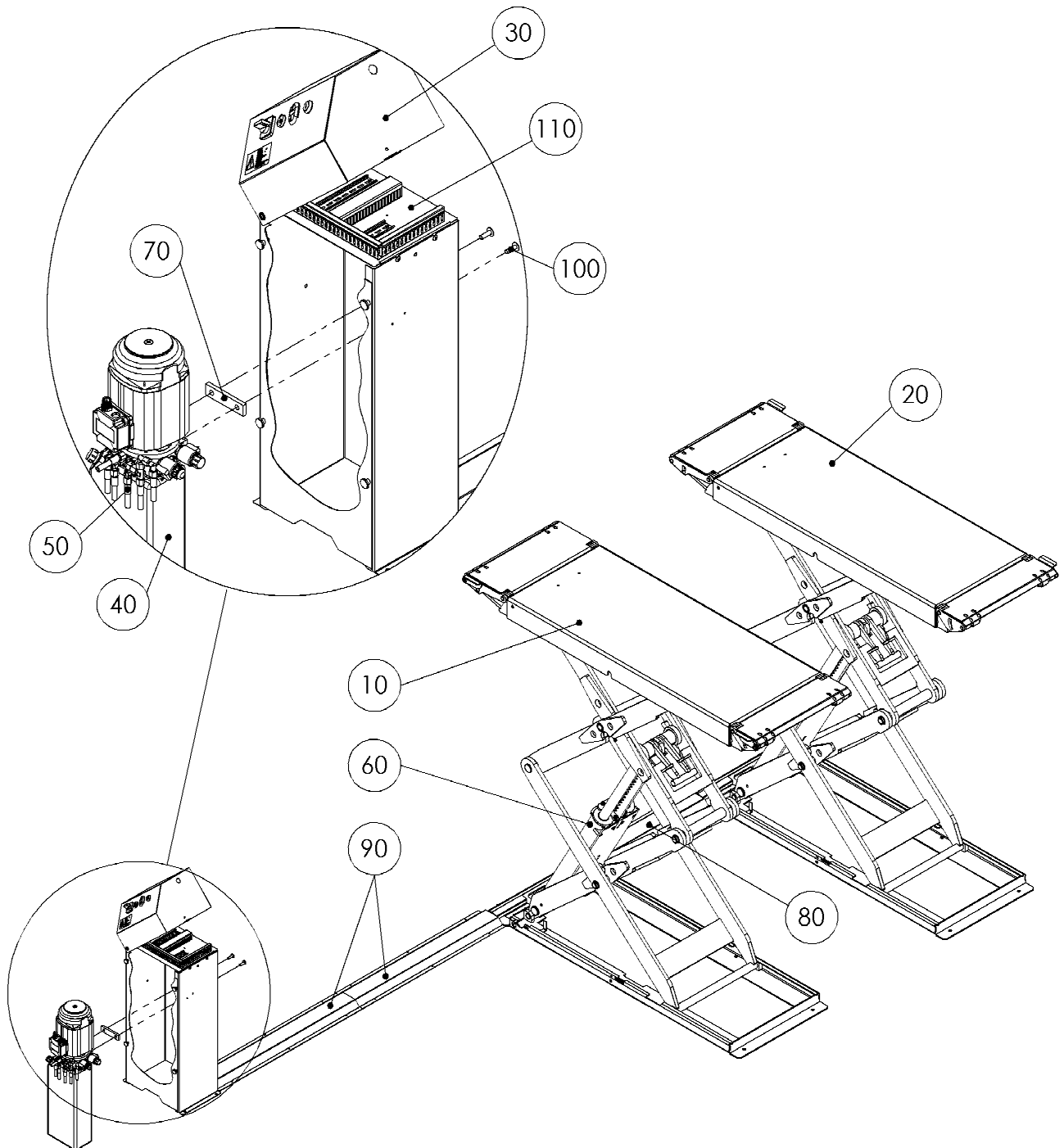


| Item No. | Spare Part | Description | Article Number |
|----------|--------------------|----------------------|------------------|
| 20 | Pin | ∅ 20x67 | 020081 00160 0 |
| 30 | Pin | ∅ 30x65 | 020081 00161 0 |
| 40 | Pin | ∅ 30x117 | 020081 01208 0 |
| 60 | Axle | Scissors Support | 020081 00164 0 |
| 70 | Slider Block | | 020081 00169 0 |
| 80 | Roller | ∅ 80x16 | 020081 00170 0 |
| 90 | Roller | ∅ 40x25 | 020081 01307 0 |
| 130 | Spacer Sleeve | ∅ 40x5x7 | 020081 00179 0 |
| 140 | Axle | ∅ 20x325 | 020081 01148 0 |
| 210 | Lever | | 030081 00187 0 |
| 250 | Snap Ring | 25x1,2 | 22 0471 025 |
| 270 | Threaded Pin | M6x10 | 22 0913 06010 3 |
| 280 | Threaded Pin | M10x18 | 22 0551 10018 1 |
| 290 | Shim Ring | 20x28x1 | 22 0988 202810 |
| 300 | Shim Ring | 20x28x2 | 22 0988 202820 1 |
| 310 | Shim Ring | 25x35x0,5 | 22 0988 253505 |
| 330 | Dowel Pin | 5x30 | 22 1481 05030 |
| 360 | Friction Bearing | CSB-10 - 2515 | 24 1725 7 |
| 370 | Friction Bearing | GLY.PG 202330 F | 24000004 |
| 380 | Friction Bearing | PBG 202321.5 F ; GLY | 24000014 |
| 390 | Hydraulic Cylinder | Slave Side | 26000125 |
| 400 | Spacer Ring | ∅ 48,3x4x10 | 020081 01265 0 |
| 410 | Friction Bearing | CSB-10 - 2525 | 24 1725 5 |

2.3 Runway (030081 00128 0)

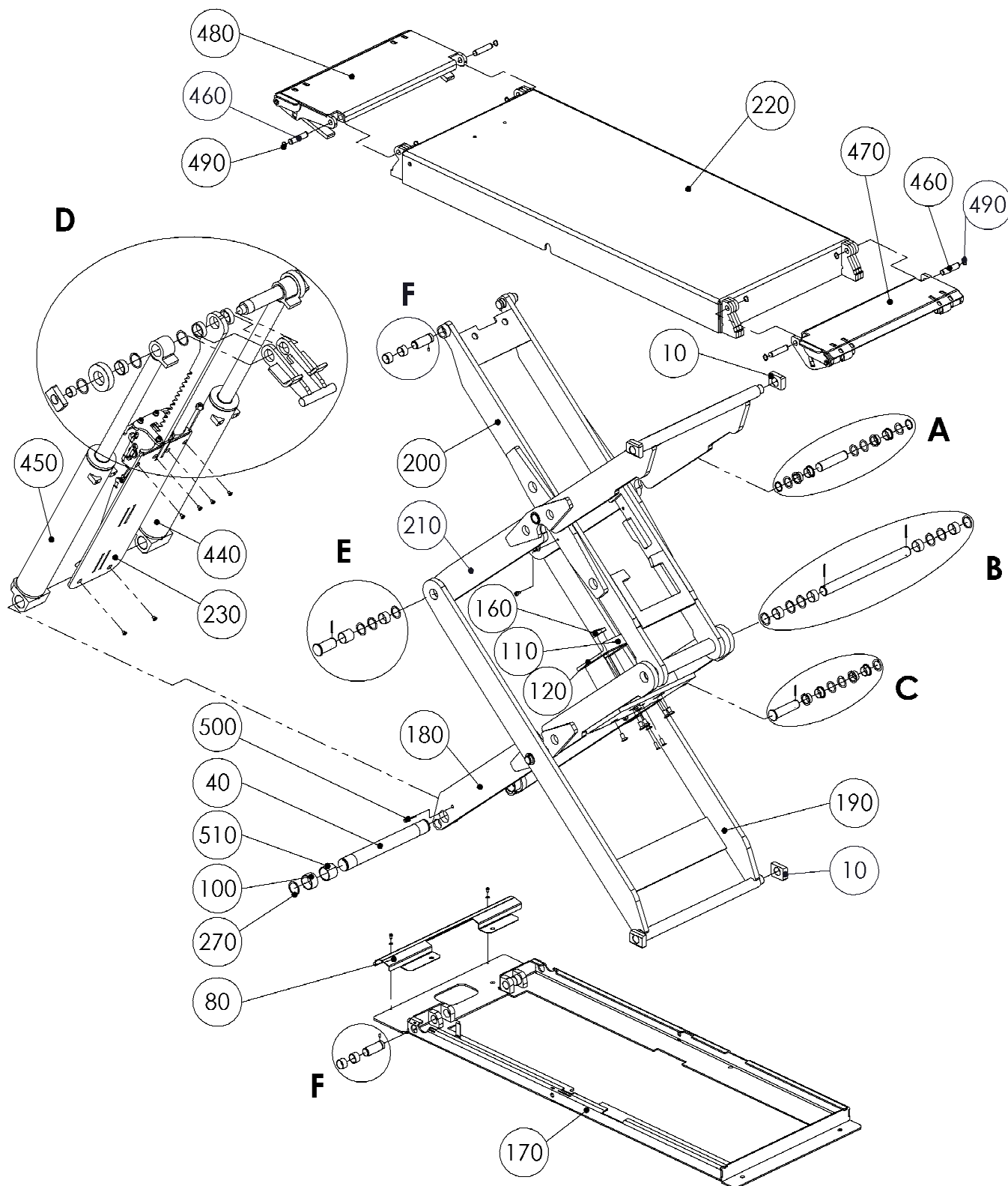


| Item No. | Spare Part | Description | Article Number |
|----------|--------------------|-------------|----------------|
| 10 | Washer | | 020081 00052 0 |
| 20 | Pin | ∅ 10x75 | 020081 01155 0 |
| 30 | Runway | | 030081 00129 0 |
| 40 | Extension | | 030081 00130 0 |
| 60 | Washer | A8,4 | 22 7349 08 1 |
| 70 | Binding Head Screw | M8x12 | 23 3112 |
| 80 | Base Plate | | GK 40/12 |



| Item No. | Spare Part | Description | Tooltip | Article Number |
|-----------------|--------------------------------------|--------------------|----------------|-----------------------|
| 10 | Scissors | Master Side | Section 3.1 | 030081 00101 0 |
| 20 | Scissors | Slave Side | Section 3.2 | 030081 00102 0 |
| 30 | Control Desk | | Section 4.1 | 030081 00160 0 |
| 40 | Hydraulic Inst. Kit | Control Desk | Section 4.2 | 030081 00194 0 |
| 50 | Hydraulic Inst. Kit | Connection | Section 4.3 | 030081 00195 0 |
| 60 | Hydraulic Inst. Kit | Cylinder | Section 4.4 | 030081 00196 0 |
| 70 | Spacer Plate | | | 020081 00100 0 |
| 80 | Cover | 790lg. | | 020081 01159 0 |
| 90 | Cover | 1000lg. | | 020081 01160 0 |
| 100 | Binding Head Screw | M10x30 | | 23 3230 |
| 110 | Mounting Plate, Pre-Assembled | | | 66 TWIN9 |

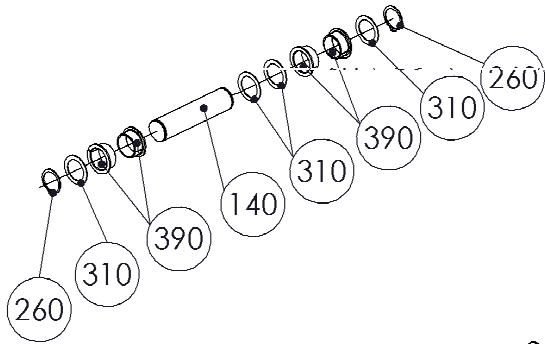
3.1 Scissors, Master Side (030081 00101 0)



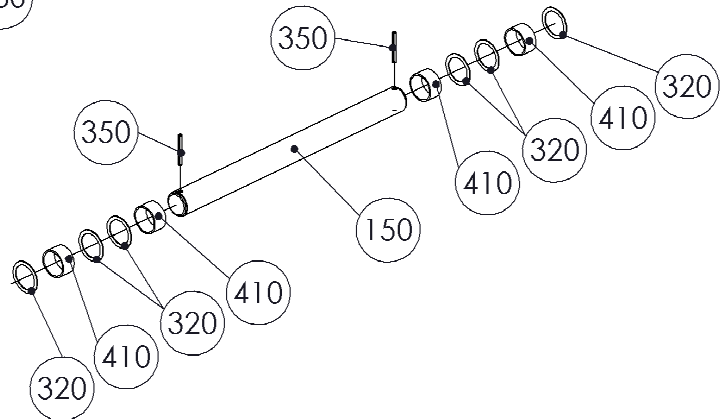
| Item No. | Spare Part | Description | Tooltip | Article Number |
|----------|--------------------|------------------|-------------|-----------------|
| 10 | Slider Block | | | 020081 01060 0 |
| 40 | Axle | Cylinder Support | | 020081 01064 0 |
| 80 | Cover Plate | | | 020081 01070 0 |
| 100 | Spacer Sleeve | | | 020081 01141 0 |
| 110 | Pressure Plate | | | 020081 01229 0 |
| 120 | Spacer Plate | | | 020081 01230 0 |
| 160 | Wedge | | | 020081 01261 0 |
| 170 | Base Plate | | | 030081 00103 0 |
| 180 | Inner Scissors | Bottom | | 030081 00104 0 |
| 190 | Outer Scissors | Bottom | | 030081 00107 0 |
| 200 | Inner Scissors | Top | | 030081 00108 0 |
| 210 | Outer Scissors | Top | | 030081 00113 0 |
| 220 | Runway | | | 030081 00117 0 |
| 230 | Latch | | Section 3.3 | 030081 00146 0 |
| 270 | Snap Ring | 45x1,75 | | 22 0471 45175 1 |
| 440 | Hydraulic Cylinder | Right | | 26000188 |
| 450 | Hydraulic Cylinder | Left | | 26000191 |
| 460 | Pin | ø 18x79.5 | | 020081 01193 0 |
| 470 | Approach Ramp | Short | Section 3.4 | 030081 00182 0 |
| 480 | Approach Ramp | Long | Section 3.4 | 030081 00189 0 |
| 490 | Snap Ring | 18x1,2 | | 22 0471 018 |
| 500 | Proximity Switch | NPN M8 2mm | | 51 3006 |
| 510 | Friction Bearing | CSB-504540 | | 24 1745 2 |

Details

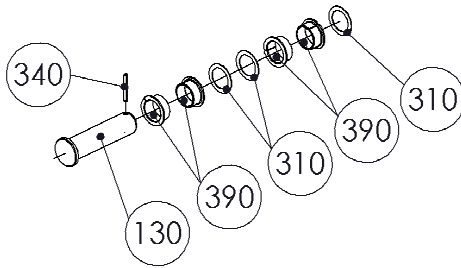
Detail **A**



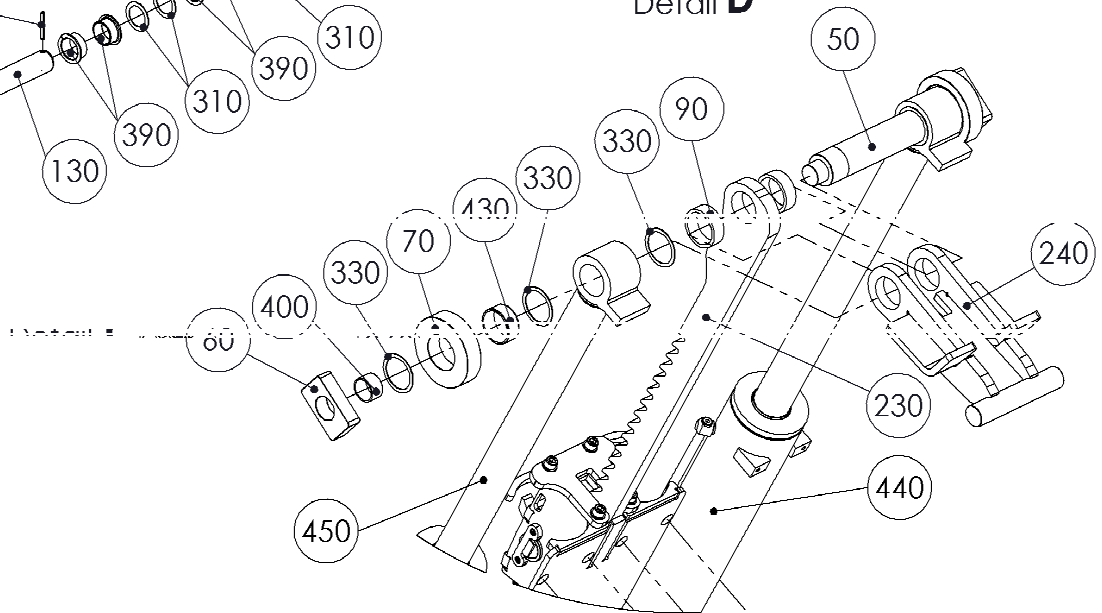
Detail **B**



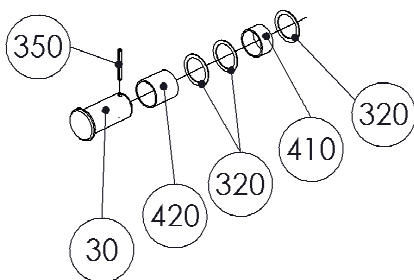
Detail **C**



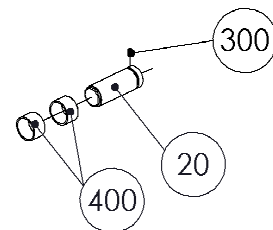
Detail **D**



Detail **E**

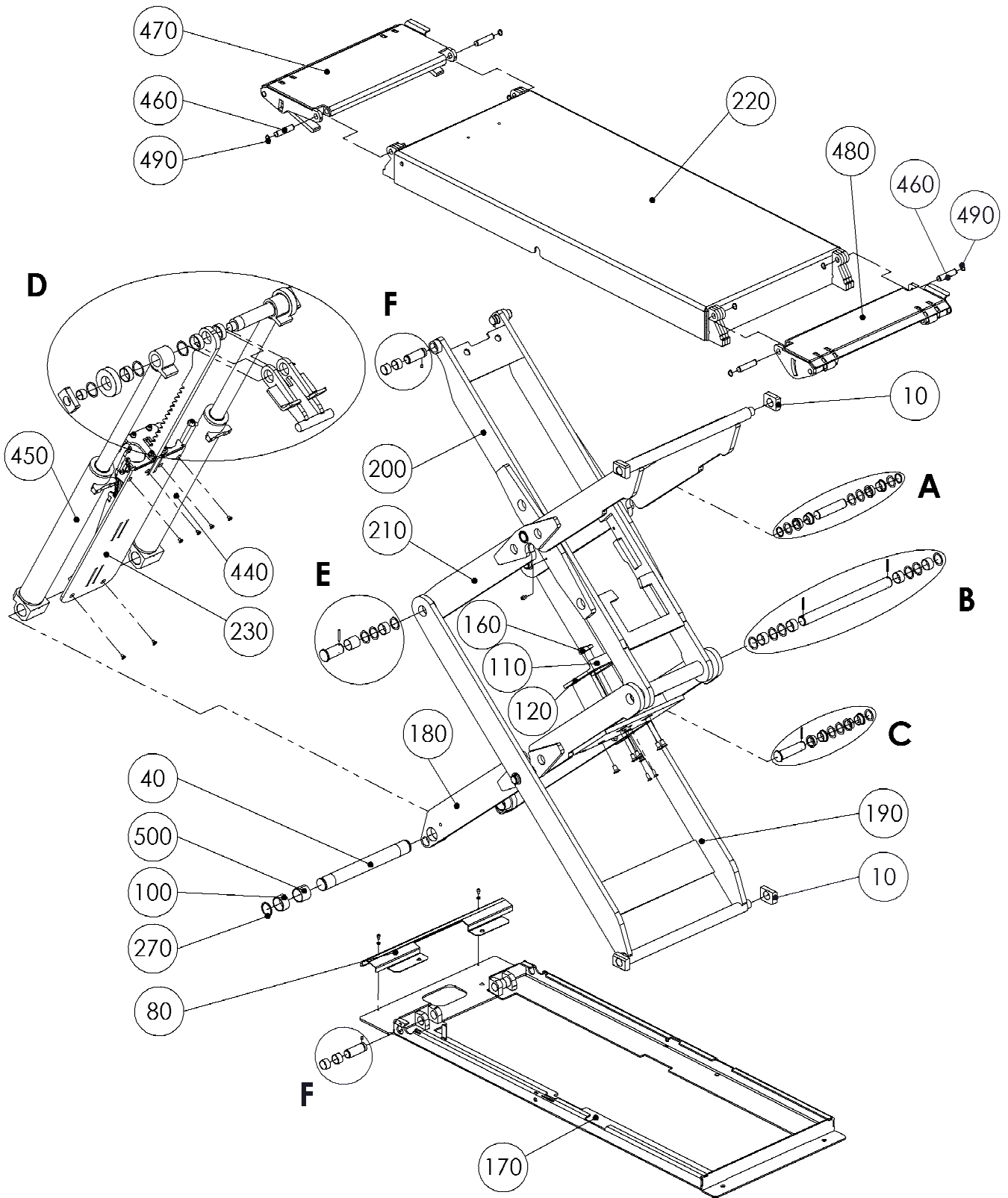


Detail **F**



| Item No. | Spare Part | Description | Article Number |
|-----------------|--------------------|--------------------|-----------------------|
| 20 | Pin | ∅ 30x82 | 020081 01061 0 |
| 30 | Pin | ∅ 45x81 | 020081 01062 0 |
| 50 | Axle | Scissors Support | 020081 01065 0 |
| 60 | Slider Block | | 020081 01066 0 |
| 70 | Roller | ∅ 100x25 | 020081 01067 0 |
| 90 | Spacer Sleeve | ∅ 55x4.5x18 | 020081 01074 0 |
| 130 | Pin | | 020081 01231 0 |
| 140 | Pin | ∅ 30x128,5 | 020081 01233 0 |
| 150 | Axle | ∅ 35x416,5 | 020081 01234 0 |
| 230 | Latch | | 030081 00146 0 |
| 240 | Raising Lever | | 030081 00148 0 |
| 260 | Snap Ring | 30x1,5 | 22 0471 3015 1 |
| 300 | Threaded Pin | M6x10 | 22 0913 06010 3 |
| 310 | Shim Ring | 30x42x1 | 22 0988 304210 |
| 320 | Shim Ring | 35x45x1 | 22 0988 354510 |
| 330 | Shim Ring | 45x55x1 | 22 0988 455510 |
| 340 | Dowel Pin | 5x40 | 22 1481 05040 |
| 350 | Dowel Pin | 5x45 | 22 1481 05045 |
| 390 | Friction Bearing | CSB-10F - 30160 | 24 1728 1 |
| 400 | Friction Bearing | CSB-10 - 3020 | 24 1730 1 |
| 410 | Friction Bearing | GLY.PG 353920F | 24 1735 1 |
| 420 | Friction Bearing | GLY.PG 353940F | 24 1735 2 |
| 430 | Friction Bearing | CSB-20 - 4520 | 24 1744 |
| 440 | Hydraulic Cylinder | Right | 26000188 |
| 450 | Hydraulic Cylinder | Left | 26000191 |

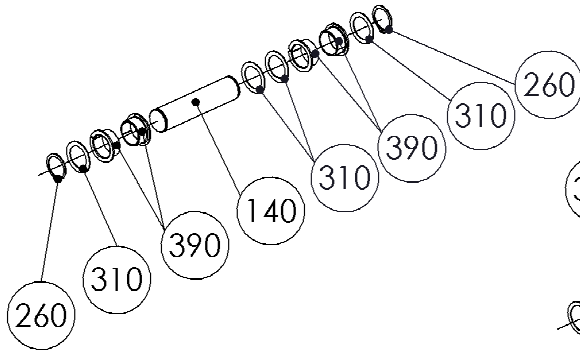
3.2 Scissors, Slave Side (030081 00102 0)



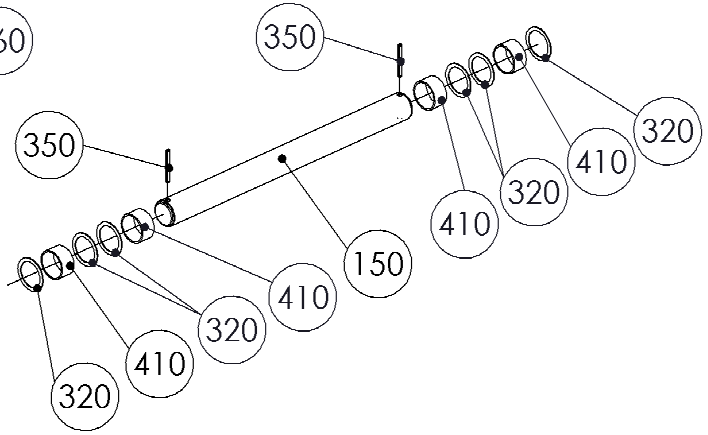
| Item No. | Spare Part | Description | Tooltip | Article Number |
|----------|--------------------|------------------|-------------|-----------------|
| 10 | Slider Block | | | 020081 01060 0 |
| 40 | Axle | Cylinder Support | | 020081 01064 0 |
| 80 | Cover Plate | | | 020081 01070 0 |
| 100 | Spacer Sleeve | | | 020081 01141 0 |
| 110 | Pressure Plate | | | 020081 01229 0 |
| 120 | Spacer Plate | | | 020081 01230 0 |
| 160 | Wedge | | | 020081 01261 0 |
| 170 | Base Plate | | | 030081 00103 0 |
| 180 | Inner Scissors | Bottom | | 030081 00104 0 |
| 190 | Outer Scissors | Bottom | | 030081 00107 0 |
| 200 | Inner Scissors | Top | | 030081 00108 0 |
| 210 | Outer Scissors | Top | | 030081 00113 0 |
| 220 | Runway | | | 030081 00117 0 |
| 230 | Latch | | Section 3.3 | 030081 00159 0 |
| 270 | Snap Ring | 45x1,75 | | 22 0471 45175 1 |
| 440 | Hydraulic Cylinder | Right | | 26000189 |
| 450 | Hydraulic Cylinder | Left | | 26000192 |
| 460 | Pin | ø 18x79.5 | | 020081 01193 0 |
| 470 | Approach Ramp | Long | Section 3.4 | 030081 00177 0 |
| 480 | Approach Ramp | Short | Section 3.4 | 030081 00190 0 |
| 490 | Snap Ring | 18x1,2 | | 22 0471 018 |
| 500 | Friction Bearing | CSB-504540 | | 24 1745 2 |

Details

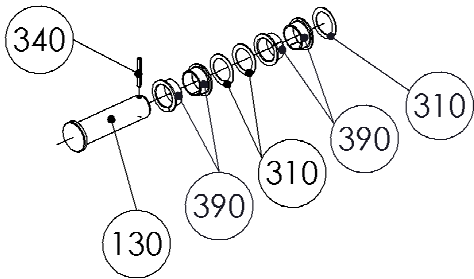
Detail **A**



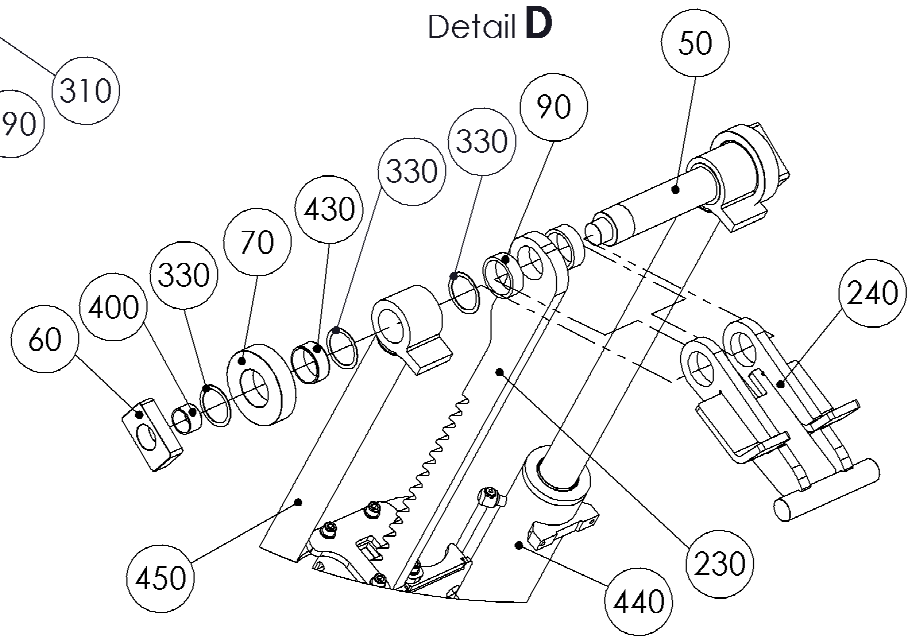
Detail **B**



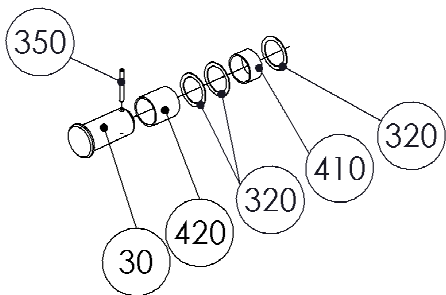
Detail **C**



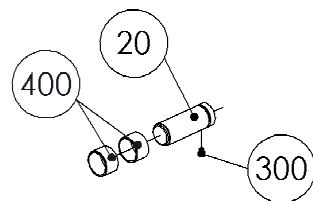
Detail **D**



Detail **E**

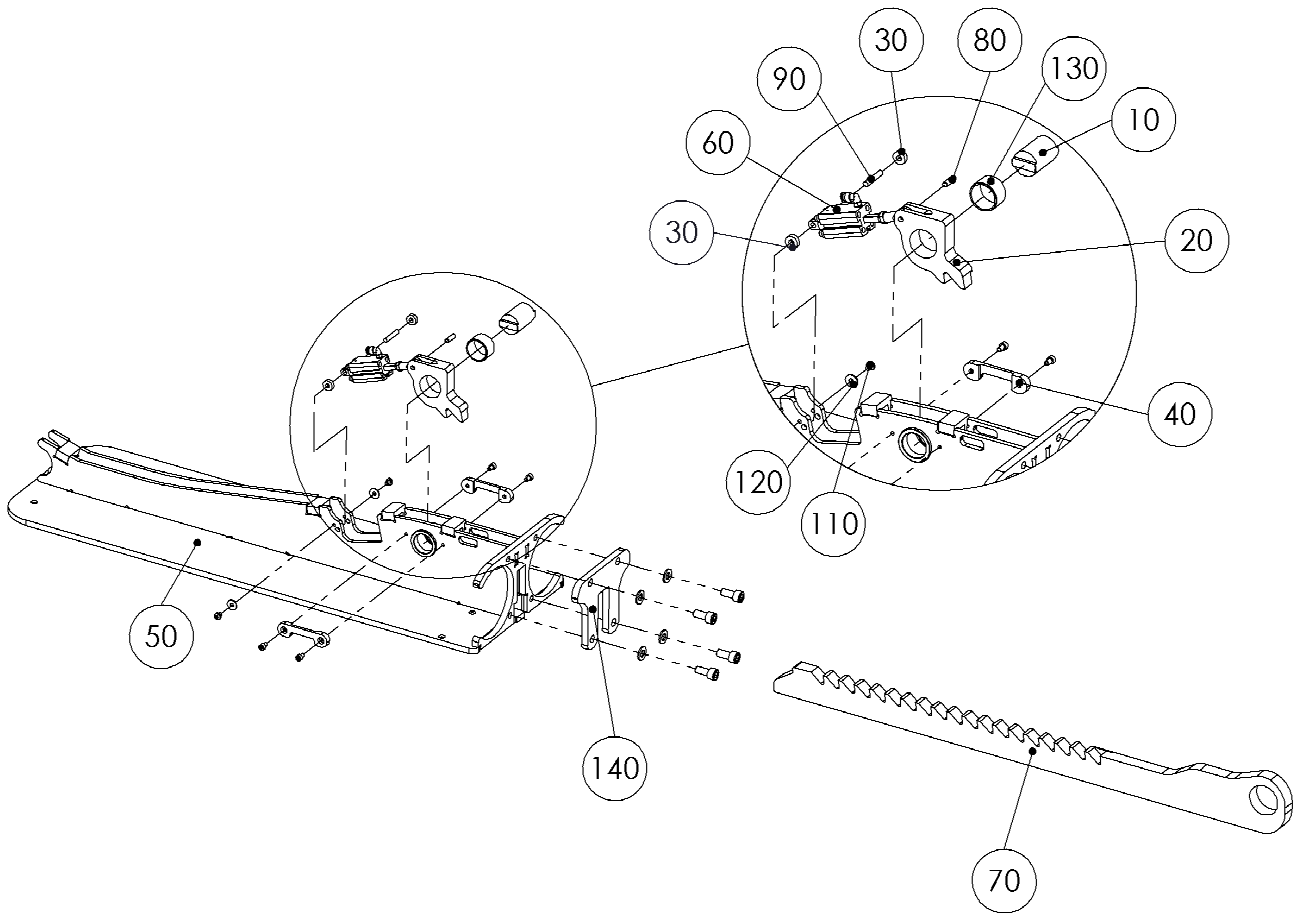


Detail **F**



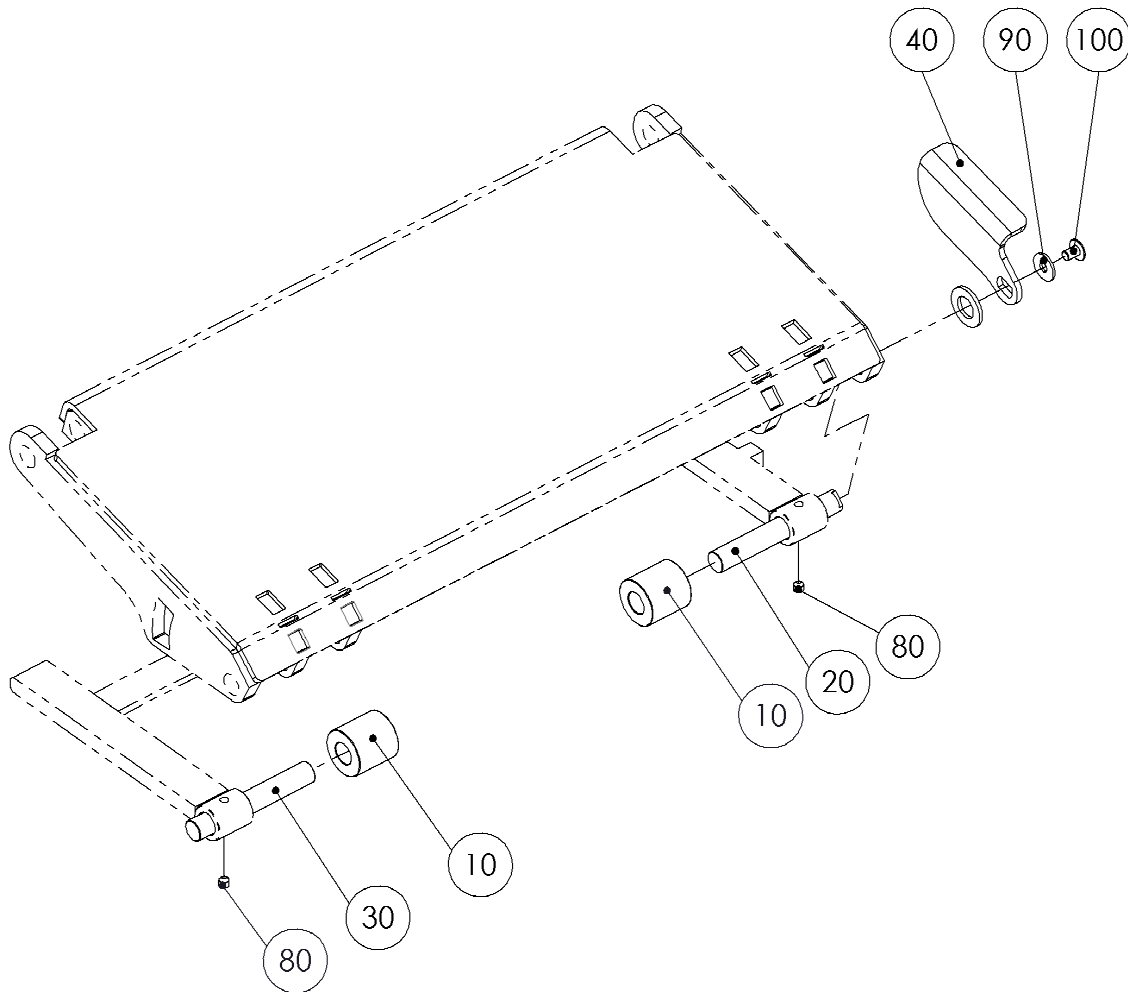
| Item No. | Spare Part | Description | Article Number |
|-----------------|--------------------|--------------------|-----------------------|
| 20 | Pin | ∅ 30x82 | 020081 01061 0 |
| 30 | Pin | ∅ 45x81 | 020081 01062 0 |
| 50 | Axle | Scissors Support | 020081 01065 0 |
| 60 | Slider Block | | 020081 01066 0 |
| 70 | Roller | ∅ 100x25 | 020081 01067 0 |
| 90 | Spacer Sleeve | ∅ 55x4.5x18 | 020081 01074 0 |
| 130 | Pin | | 020081 01231 0 |
| 140 | Pin | ∅ 30x128,5 | 020081 01233 0 |
| 150 | Axle | ∅ 35x416,5 | 020081 01234 0 |
| 230 | Latch | | 030081 00159 0 |
| 240 | Raising Lever | | 030081 00148 0 |
| 260 | Snap Ring | 30x1,5 | 22 0471 3015 1 |
| 300 | Threaded Pin | M6x10-45H | 22 0913 06010 3 |
| 310 | Shim Ring | 30x42x1 | 22 0988 304210 |
| 320 | Shim Ring | 35x45x1 | 22 0988 354510 |
| 330 | Shim Ring | 45x55x1 | 22 0988 455510 |
| 340 | Dowel Pin | 5x40 | 22 1481 05040 |
| 350 | Dowel Pin | 5x45 | 22 1481 05045 |
| 390 | Friction Bearing | CSB-10F - 30160 | 24 1728 1 |
| 400 | Friction Bearing | CSB-10 - 3020 | 24 1730 1 |
| 410 | Friction Bearing | GLY.PG 353920F | 24 1735 1 |
| 420 | Friction Bearing | GLY.PG 353940F | 24 1735 2 |
| 430 | Friction Bearing | CSB-20 - 4520 | 24 1744 |
| 440 | Hydraulic Cylinder | Right | 26000189 |
| 450 | Hydraulic Cylinder | Left | 26000192 |

3.3 Latch



| Item No. | Spare Part | Description | Article Number |
|----------|------------------|---------------|-----------------|
| 10 | Shaft | ø 30x50 | 020080 01132 0 |
| 20 | Latch | | 020081 01212 0 |
| 30 | Distance | | 020081 01228 0 |
| 40 | Fuse | | 020081 01266 0 |
| 50 | Latch | Master Side | 030081 00147 0 |
| | Latch | Slave Side | 030081 00152 0 |
| 60 | Latch Cylinder | | 030081 00150 0 |
| 70 | Guide Rail | | 030081 00158 0 |
| 80 | Cylinder Pin | ø6x20 | 22 0007 06020 |
| 90 | Cylinder Pin | ø6m6x32 | 22 2338 06032 |
| 110 | Pan Head Screw | M5x6-4.8-H | 22 7985 05006 1 |
| 120 | Washer | A5,3 | 22 9021 05 1 |
| 130 | Friction Bearing | CSB-10 - 3020 | 24 1730 1 |
| 140 | Stop Plate | | 020081 01293 0 |

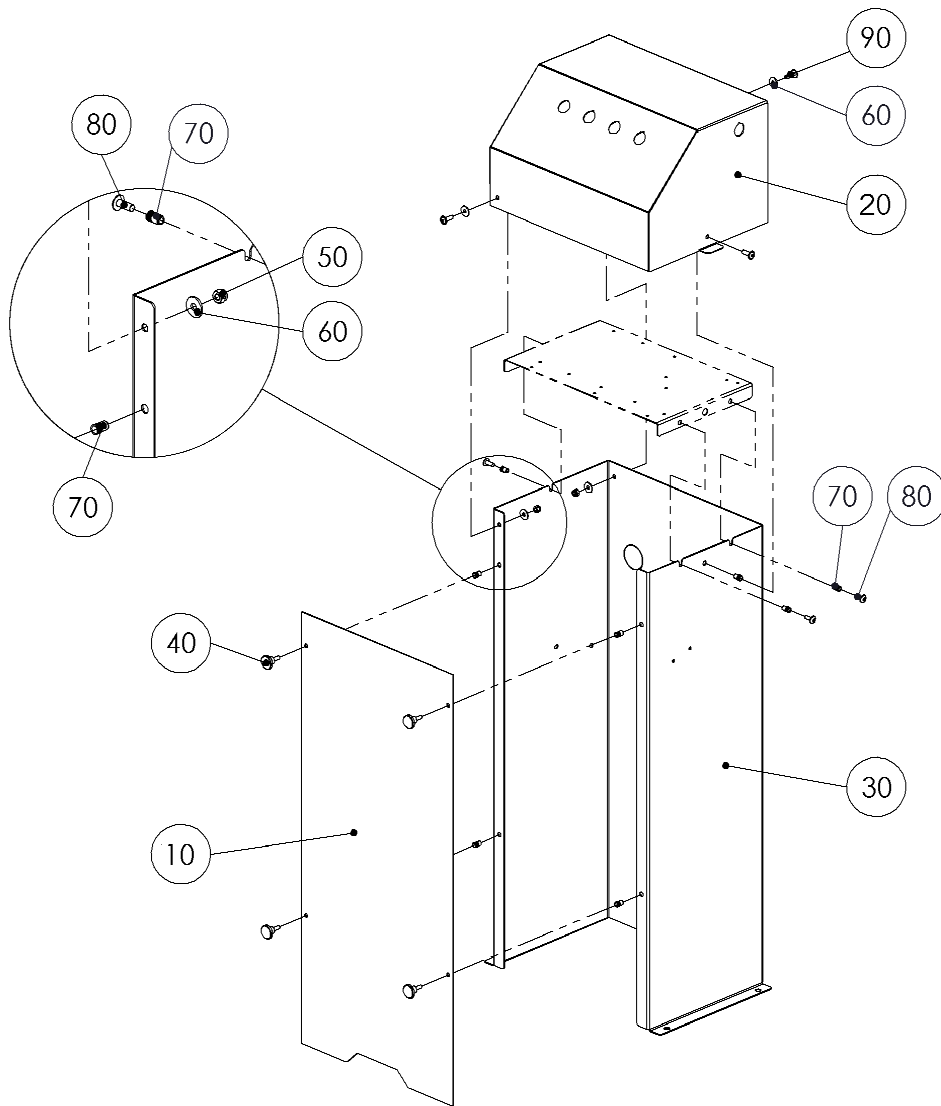
3.4 Approach Ramps



| Item No. | Spare Part | Description | Article Number |
|----------|--------------------|-------------|----------------|
| 10 | Roller | ø 40x40 | 020081 01194 0 |
| 20 | Pin | ø 18x123.5 | 020081 01315 0 |
| 30 | Pin | ø 18x124 | 020081 01316 0 |
| 40 | Handle | Right | 020081 01319 0 |
| | Handle | Left | 020081 01318 0 |
| 80 | Threaded Pin | M8x8-45H | 22 0914 08008 |
| 90 | Washer | A8,4 | 22 9021 08 1 |
| 100 | Binding Head Screw | M8x12 | 23 3112 |

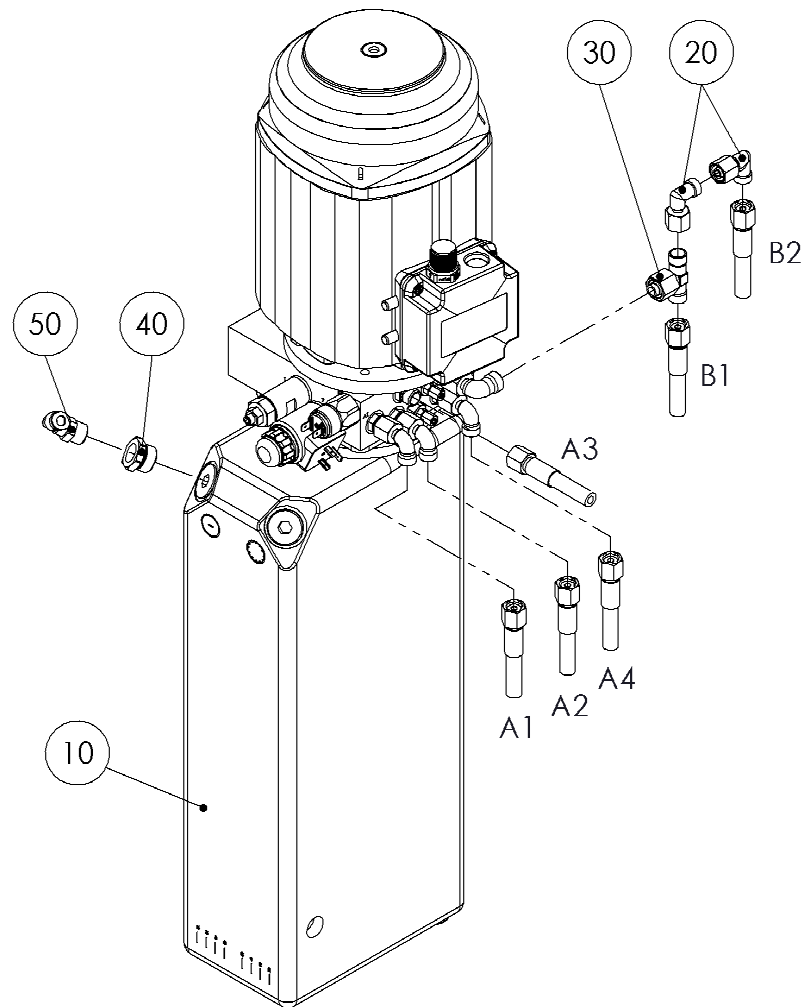
4 Hydraulic

4.1 Control Desk



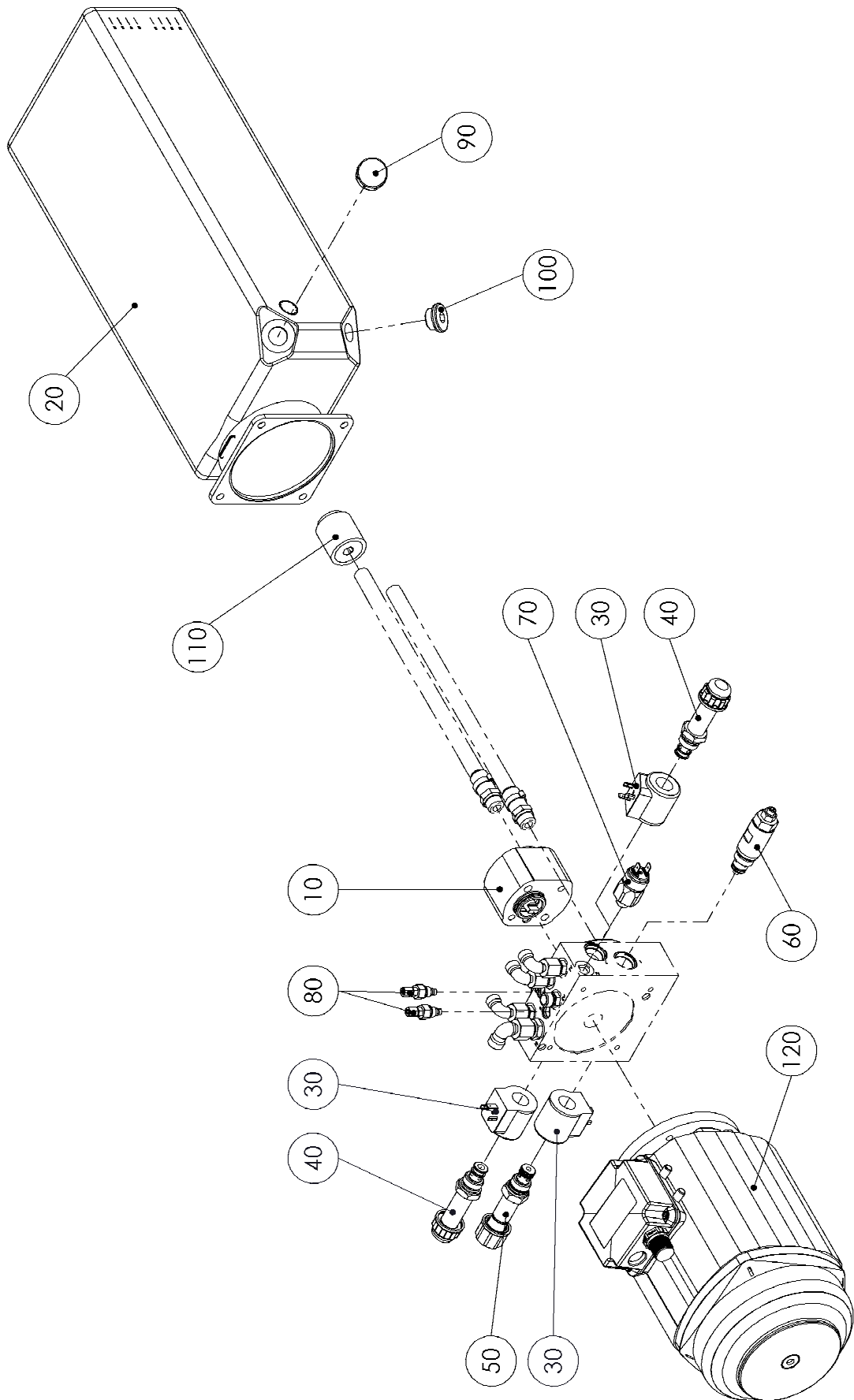
| Item No. | Spare Part | Description | Produkt | Article Number |
|----------|--------------------|-------------|----------------|----------------|
| 10 | Cover | | | 020081 01262 0 |
| 20 | Control Box | | TWIN F III 3.0 | 030081 00137 0 |
| | Control Box | | TWIN F 4.0 | 030081 00161 0 |
| 30 | Lower Cabinet | | | 030081 00154 0 |
| 40 | Knurled Screw | M6x16 | | 22 0464 616 1 |
| 50 | Hex Nut | M6-N | | 22 0982 06 1 |
| 60 | Washer | A6,4 | | 22 9021 06 1 |
| 70 | Rivet Nut | M6 | | 23 2116 |
| 80 | Binding Head Screw | M6x16 | | 23 3080 |
| 90 | Binding Head Screw | M6x20 | | 23 3082 |

4.2 Hydraulic Inst. Kit, Control Desk



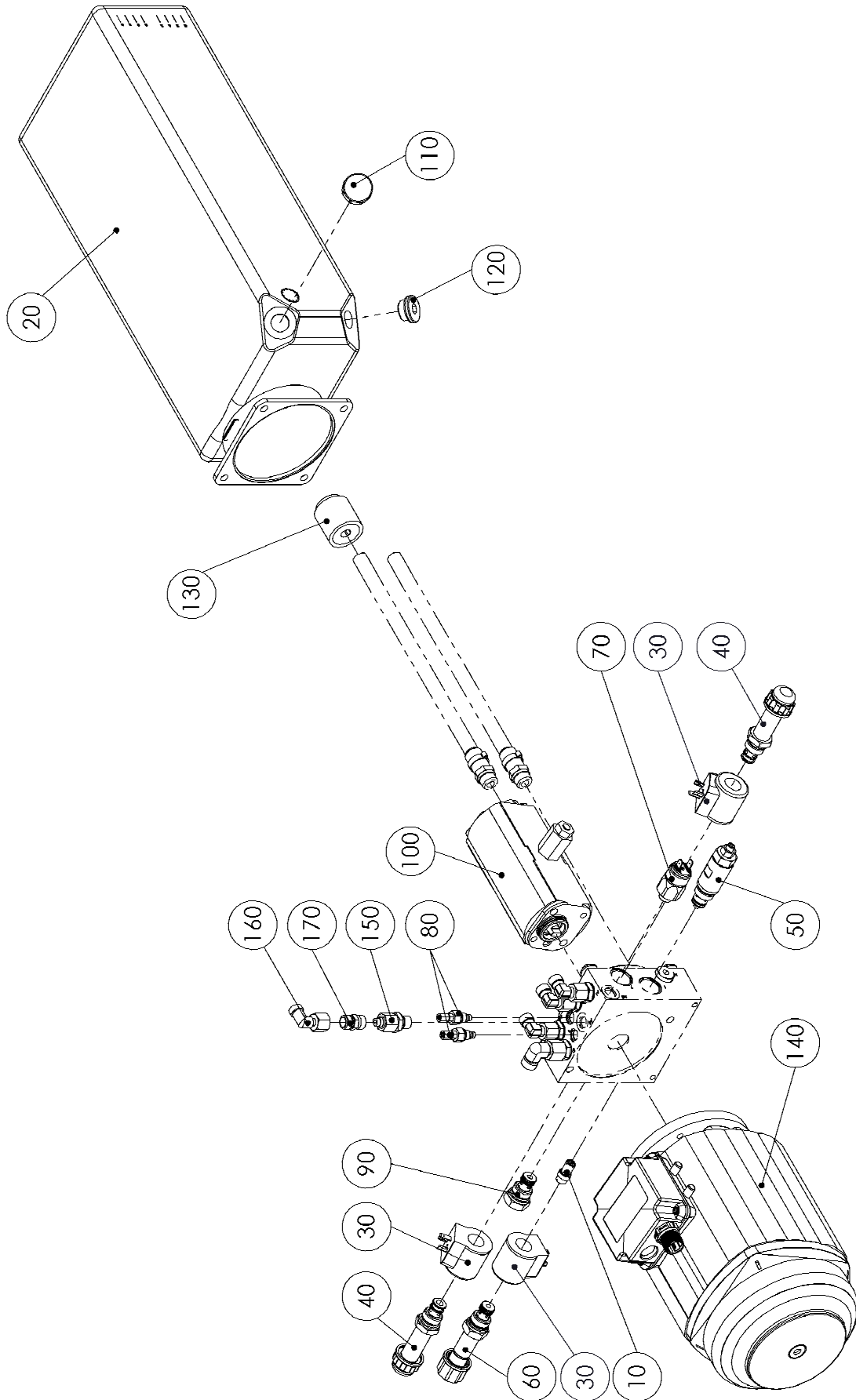
| Item No. | Spare Part | Description | Tooltip | Produkt | Article Number |
|----------|----------------------|----------------|---------------|-----------------------|----------------|
| 10 | Hydraulic Power Unit | 50Hz | Section 4.2.1 | TWIN F III 3.0 A/U | 26000205 |
| | Hydraulic Power Unit | 60Hz | Section 4.2.2 | TWIN F III 4.0 | 26000239 |
| 20 | Screw Connection | EVW 8 L Vm. | | | 27 6435 |
| 30 | T-Piece | 8/10/8 L | | | 27000022 |
| 40 | Reducing Nipple | G3/8 IXG 1/2"A | | | 28 8070 0805 |
| 50 | Screwed Angle | KQL 08-03 S | | | 28 9128 |

4.2.1 Hydraulikaggregat (26000205)



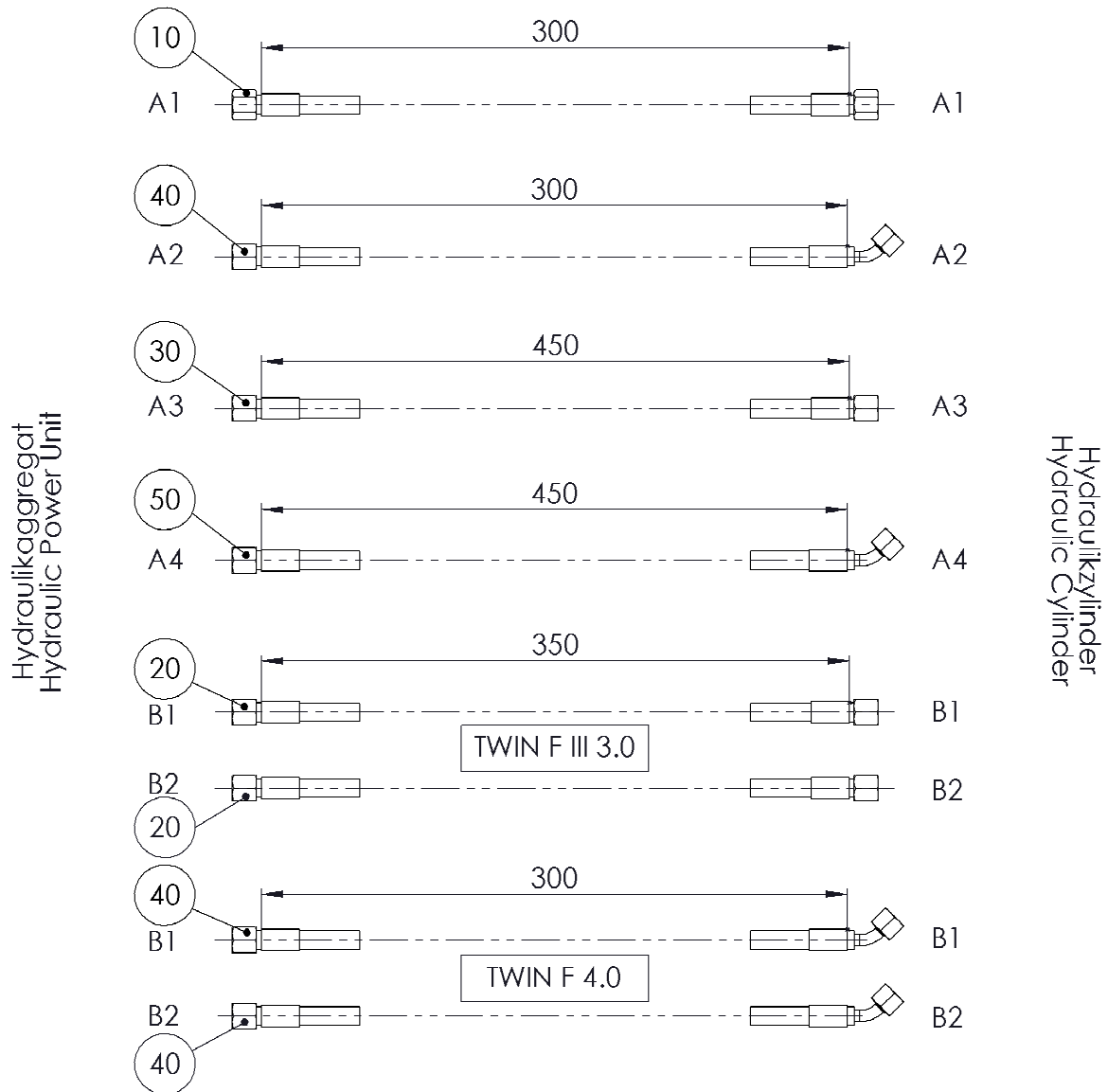
| Item No. | Spare Part | Article Number |
|-----------------|------------------------|-----------------------|
| 10 | Zahnradpumpe | 26000035 |
| 20 | Kunststofftank | 26000069 |
| 30 | Magnetspule | 26000106 |
| 40 | Sitzventil | 26000123 |
| 50 | 2/2 Wegesitzventil | 26000200 |
| 60 | Druckbegrenzungsventil | 26000209 |
| 70 | Druckschalter | 26000214 |
| 80 | Drosselventil | 26000226 |
| 90 | Belüftung | 26000248 |
| 100 | Verschlussstopfen | 26000249 |
| 110 | Saugfilter | 26000250 |
| 120 | Motor | 26000261 |

4.2.2 Hydraulic Power Unit (26000239)



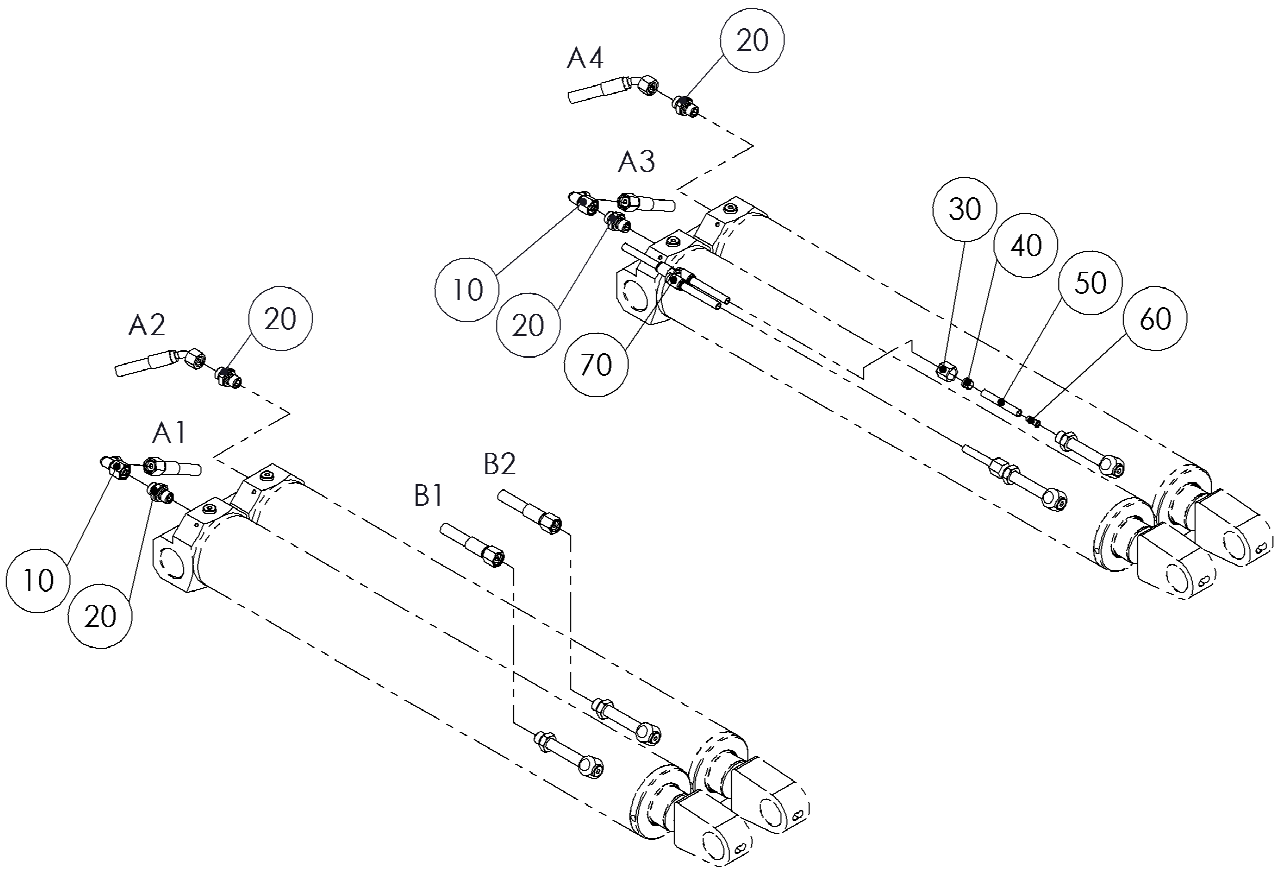
| Item No. | Spare Part | Article Number |
|-----------------|-------------------------------|-----------------------|
| 10 | Flow Control Valve | 26000041 |
| 20 | Plastic Tank | 26000069 |
| 30 | Solenoid Coil | 26000106 |
| 40 | Seat Valve | 26000123 |
| 50 | Pressure Control Valve | 26000153 |
| 60 | 2/2 Directional Control Valve | 26000200 |
| 70 | Pressure Switch | 26000214 |
| 80 | Trottle Valve | 26000226 |
| 90 | Non-Return Valve | 26000246 |
| 100 | Doble Pump | 26000247 |
| 110 | Ventilation | 26000248 |
| 120 | Plug | 26000249 |
| 130 | Suction Filter | 26000250 |
| 140 | Electric Motor | 26000251 |
| 150 | Screw Connection | 27 6421 |
| 160 | Screw Connection | 27 6435 |
| 170 | Screw Connection | 27 6437 |

4.3 Hydraulic Inst. Kit, Connection



| Item No. | Spare Part | Description | Article Number |
|----------|------------|----------------------|----------------|
| 10 | HP Hose | 300lg. DKOL bs | 27 0621 300 |
| 20 | HP Hose | 350lg. DKOL bs | 27 0621 350 |
| 30 | HP Hose | 450lg. DKOL bs | 27 0621 450 |
| 40 | HP Hose | 300lg. DKOL/DKOL-45° | 27 0623 300 |
| 50 | HP Hose | 450lg. DKOL/DKOL-45° | 27 0623 450 |

4.4 Hydraulic Inst. Kit, Cylinder







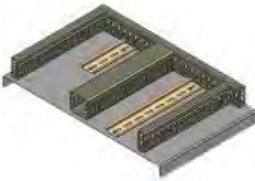


| Item No. | Spare Part | Description | Article Number |
|----------|------------------|--------------|----------------|
| 10 | Screw Connection | EVW 8 L Vm. | 27 6435 |
| 20 | Screw Connection | GE 8 LR 1/4" | 27 6461 |
| 30 | Union Nut | M 8 L | 27 6597 |
| 40 | Cutting Ring | D 8 L | 27 6599 |
| 50 | Pur Hose | | 28 7008 |
| 60 | Plug-In Sleeve | 8x1 ms | 28 7508 |
| 70 | Y-Connector | KQU 08-00 | 28 9110 |

5 Electrical Equipment

| Thumbnail | Spare Part | Description | Product | Article Number |
|---|-------------------|-------------|------------------------------|----------------|
|  | Label | Main Switch | TWIN F III 3.0 TWIN F 4.0 | 54 2132 |
|  | Mounting Adapter | front | TWIN F III 3.0 TWIN F 4.0 | 51 0561 |
|  | Bridge | 2-pin ST4 | TWIN F III 3.0 TWIN F 4.0 | 51 5077 |
|  | Bridge | 3-polig ST4 | TWIN F 4.0 | 51 5082 |
|  | Cover | STTB 4 PV | TWIN F III 3.0 TWIN F 4.0 | 51 5067 |
|  | Double Pushbutton | | TWIN F III 3.0 TWIN F 4.0 | 51 0511 |
|  | Pushbutton | neutral | TWIN F III 3.0 TWIN F 4.0 | 51 0500 |





| Thumbnail | Spare Part | Description | Product | Article Number |
|---|---------------------|------------------|------------------------------|----------------|
|  | Installation Summer | 22,5mm 24 VAC/DC | TWIN F III 3.0 | 51 0284 |
|  | Installation Summer | 22,5mm 230VAC | TWIN F 4.0 | 51 0287 |
|  | Limit Holder | TS 35 | TWIN F III 3.0 TWIN F 4.0 | 53 3047 |
|  | Suppressor | K-Serie 24V | TWIN F 4.0 | 50 0040 |
|  | Blade Beceptacle | 4,8x0,8-1,5 | TWIN F III 3.0 TWIN F 4.0 | 53 0602 |
|  | Incandescent Lamp | LED white 24V | TWIN F III 3.0 TWIN F 4.0 | 51 0542 |
|  | Main Switch | 4-pin 25A | TWIN F III 3.0 TWIN F 4.0 | 50 1002 |

| Thumbnail | Spare Part | Description | Product | Article Number |
|---|-------------------|-------------|------------------------------|----------------|
|  | Main Contactor | 4,0kW 24VDC | TWIN F 4.0 | 50 0194 |
|  | Main Contactor | 11kW 24VDC | TWIN F III 3.0 | 50 0214 |
|  | Insulating Sleeve | | TWIN F III 3.0 TWIN F 4.0 | 53 0625 |
|  | Cable Shoes | 1,5mm M4 | TWIN F 4.0 | 53 0530 |
|  | Cable Shoes | 6mm M5 | TWIN F III 3.0 TWIN F 4.0 | 53 0553 |
|  | Contact Block | K Serie | TWIN F 4.0 | 50 0182 |
|  | Contact Block | D Serie | TWIN F III 3.0 | 50 0230 |








| Thumbnail | Spare Part | Description | Product | Article Number |
|---|--------------------------|-----------------|------------------------------|----------------|
|  | Contact Element | NO Contact 3-4 | TWIN F III 3.0 TWIN F 4.0 | 51 0555 |
|  | Contact Element | NC Contact 1-2 | TWIN F III 3.0 TWIN F 4.0 | 51 0556 |
|  | Solenoid Valve Connector | w. Cabel | TWIN F III 3.0 | 53 0354 |
|  | Solenoid Valve Connector | w. Cable Form A | TWIN F 4.0 | 53 2165 |
|  | Mounting Plate | | TWIN F III 3.0 | 66 TWIN 400 |
|  | Mounting Plate | | TWIN F 4.0 | 66 TWIN9 |
|  | Motor Protective Switch | 4-6A | TWIN F 4.0 | 50 1059 |


| Thumbnail | Spare Part | Description | Product | Article Number |
|---|-------------------------|--------------------------|----------------|----------------|
|  | Motor Protective Switch | 13-18A | TWIN F III 3.0 | 50 1061 |
|  | Power Pack | 24VDC 12VAC | TWIN F 4.0 | 56 0001 |
|  | Label | Lock | TWIN F III 3.0 | 54 4020 |
|  | Label Holder | | TWIN F III 3.0 | 51 0581 |
|  | Protective Conductor | 4.0mm 300mm lg. Ge/gn | TWIN F 4.0 | 51 4304 |
|  | Protective Conductor | 4,0mm 930mm lg. Ge/gn | TWIN F 4.0 | 51 4307 |
|  | Protective Conductor | 4,0mm Ge/gn | TWIN F 4.0 | 53 1027 |








| Thumbnail | Spare Part | Description | Product | Article Number |
|---|--------------|----------------|------------------------------|----------------|
|  | Fuse | T 1,6 A | TWIN F III 3.0 | 53 3064 |
|  | Fuse | T 3,15 A | TWIN F 4.0 | 53 3065 |
|  | Clamp | | TWIN F III 3.0 TWIN F 4.0 | 51 5050 |
|  | Control Line | 2x0,75 | TWIN F 4.0 | 53 1085 |
|  | Control Line | 2x0,75 | TWIN F 4.0 | 53 1085 |
|  | Control Line | 4x1,5 | TWIN F 4.0 | 53 1254 |
|  | Button Plate | Black w. Arrow | TWIN F III 3.0 TWIN F 4.0 | 51 0592 |







| Thumbnail | Spare Part | Description | Product | Article Number |
|--|---------------------|-------------|------------------------------|----------------|
|  | Timing Relay | 0,5-10 sec. | TWIN F III 3.0 | 50 0073 |
|  | Tension Spring Clip | 4,0 ST4,0 | TWIN F III 3.0 TWIN F 4.0 | 51 5020 |
|  | Tension Spring Clip | | TWIN F III 3.0 TWIN F 4.0 | 51 5025 |
|  | Tension Spring Clip | 4,0 PE | TWIN F III 3.0 TWIN F 4.0 | 51 5027 |


6 Accessory

| Thumbnail | Spare Part | Description | Product | Article Number |
|---|------------|-----------------------------|------------------------------|----------------|
|  | Label | Care Instruction, Runway | TWIN F III 3.0 TWIN F 4.0 | 54 1376 |
|  | Label | VAS 6329 | TWIN F 4.0 | 54 1390 |
|  | Label | No Passengers Allowed | TWIN F III 3.0 TWIN F 4.0 | 54 1398 |
|  | Label | MAHA GmbH & Co. KG | TWIN F III 3.0 TWIN F 4.0 | 54 1407 |
|  | Label | SLIFT-Logo small | TWIN F 4.0 | N09-9910 |
|  | Label | 3000kg | TWIN F 4.0 | 54 1434 |
|  | Label | Hydraulic Fluid | TWIN F III 3.0 TWIN F 4.0 | 54 1436 |

| Thumbnail | Spare Part | Description | Product | Article Number |
|---|------------|--------------------|------------------------------|----------------|
|  | Label | 4000kg | TWIN F III 3.0 | 54 1448 |
|  | Label | Safety Regulations | TWIN F III 3.0 TWIN F 4.0 | 54 1494 |
|  | Label | This side up ... | TWIN F 4.0 | 54 1533 |
|  | Label | Risk Of Stumbling | TWIN F 4.0 | 54 1534 |
|  | Label | Net weight 900 kg | TWIN F 4.0 | 54 1535 |
|  | Label | 9000 lbs | TWIN F III 3.0 | 54 1536 |
|  | Label | Warning Label | TWIN F III 3.0 | 54 1575 |















| Thumbnail | Spare Part | Description | Product | Article Number |
|---|------------------------|---------------------|----------------|----------------|
|  | Label | John Bean, small | TWIN F III 3.0 | 54 1577 |
|  | Label | Certified Quality | TWIN F 4.0 | 54 1978 |
|  | Label | MAHA-Logo white | TWIN F 4.0 | 54 2209 |
|  | Label | SLIFT-Logo large | TWIN F 4.0 | N09-9100 |
|  | Limit Switch | Siemens | TWIN F 4.0 | 51 0317 |
|  | Screwed Cable Joint | M20x1,5 4-9mm | TWIN F 4.0 | 53 2753 |
|  | Control Line | 5x0,75 | TWIN F 4.0 | 53 1088 |

| Thumbnail | Spare Part | Description | Product | Article Number |
|---|----------------------|--------------------------|------------------------------|----------------|
|  | Control Line | 5x0,75 | TWIN F 4.0 | 53 1088 |
|  | Protective Conductor | 4,0mm Ge/gn | TWIN F 4.0 | 53 1027 |
|  | Protective Conductor | 4,0mm Ge/gn | TWIN F 4.0 | 53 1027 |
|  | Base Plate | dimpled; 400x350x12mm | TWIN F 4.0 | GK 40/12 |
|  | Rubber Block | 100x150x20 | TWIN F 4.0 | 17000007 |
|  | Hard Rubber Block | 50x115x95mm | TWIN F III 3.0 TWIN F 4.0 | 31 6930 |
|  | Plastic Support | 47x132x340mm | TWIN F III 3.0 TWIN F 4.0 | 31 6900 |

| Thumbnail | Spare Part | Description | Product | Article Number |
|---|-----------------|---------------|------------------------------|----------------|
|  | Plastic Support | 95x150x340mm | TWIN F 4.0 | 31 6901 |
|  | Hydraulic Fluid | HLPD 32; 2,0l | TWIN F III 3.0 TWIN F 4.0 | 36 0101 |
|  | PVC Tape | yellow/black | TWIN F 4.0 | 19 6015 |

7 Anchors

* NOTICE: 23000256 to be used only with compensating plates!

| | | | | | | | | | | | | | | |
|---|---|---|---|---|---|---|---|---|---|---|--|---|---|--------------------------------|
|  |  |  |  |  |  |  |  |  |  |  |  |  |  | |
| Anchor Bolt M12x145mm | Anchor Bolt M16x250mm | Anchor Bolt M16x200mm | Cartridge (150ml) and Mixer | Anchor Bolt M20x230mm | Anchor Bolt M20x220mm | Anchor Capsule M20 | Anchor Bolt M16x250mm | Anchor Bolt M16x190mm | Anchor Bolt M16x165mm | Mortar Capsule M16 | Express Anchor M10x165mm | Anchor Bolt M10x124mm | Heavy Duty Anchor M10x150mm | |
| 23000256 * | 23000255 | 23000242 | 23000241 | 23000240 | 23 6090 | 23 6080 | 23 6019 | 23 6018 001 | 23 6017 | 23 6016 | 23 5165 | 23 5120 | 23 5050 | Article number (Unit: 1 Piece) |
| | | | | | | | | | | | X | | | CARLIFT |
| | | | | | | | | | | | | | X | DUO |
| X | X | X | X | | | | | | | | | | | ECON II |
| X | X | X | X | | | | | | | | | | | ECON III 3.0 |
| X | X | X | X | | | | | | | | | | | ECON III 3.5 |
| X | | | X | X | | | | | | | | | | ECON III 4.0 |
| | | | X | X | | | | | | | | | | ECON III 5.0 |
| | | | | | | | X | X | X | X | | | | ECONLIFT |
| | | | | | | | X | X | X | X | | | | HL 9000 A |
| | | | | | | | X | X | X | X | | | | HL 10000 |
| | | | | | X | X | | | | | | | | HL 4.0 |
| | | | X | X | | | | | | | | | | HL III 4.0 |
| | | | | | | | | | | | | | X | SERVICELIFT |
| | | | | | | | | | | | | X | | SOLO III 2.5 M |
| | | | X | X | | | | | | | | | | TRUCKLIFT |
| | | | | | | | | | | | | | X | TWIN |