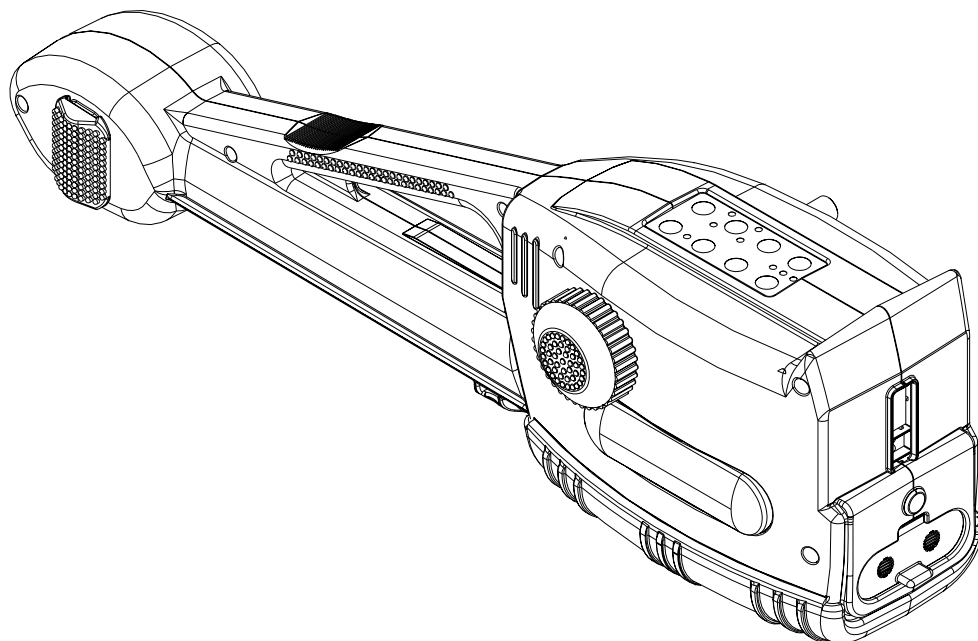


Snap-on
Equipment



CCD Alignment
Technology

SPARE PARTS LIST

TEEWA511A3 (Rev G)

All information contained or disclosed in this document is considered confidential and proprietary by Snap-on Tools Company. All manufacturing, use, reproduction, and sales rights are reserved by Snap-on Tools Company and the information contained herein shall not be used in whole or in part without the express written consent of Snap-on Tools Company.

Table of Contents

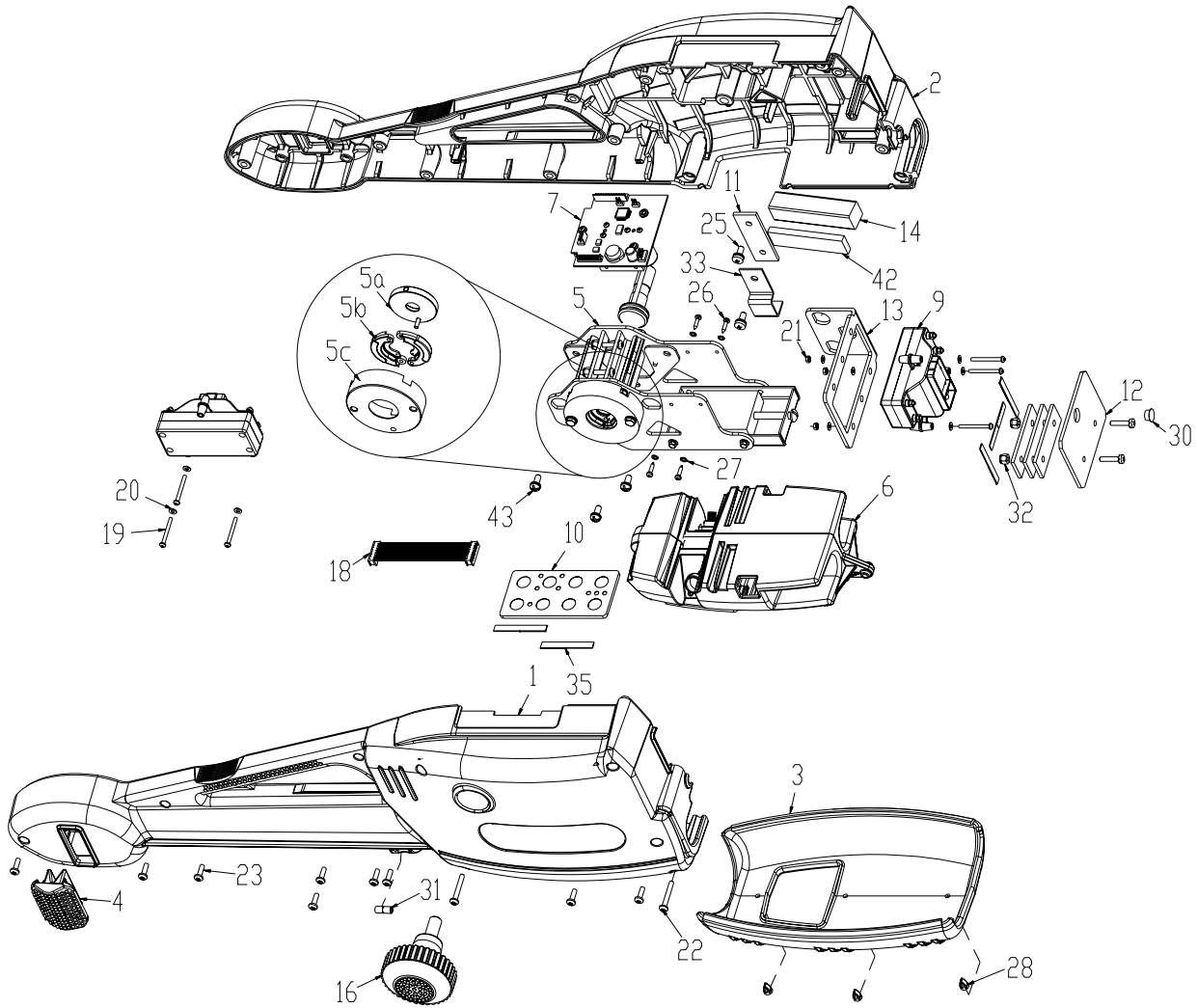
Gen II CCD Head Kits	3
Wheel Sensor Gen II	4
Rear 6 Sensor Gen II	6
Wheel Sensor Gen I	8
PC Assembly	11
Rear 6 Sensor Version I	12
Battery Charger - Cordless	15
Battery Charger - Cordless Version II	16
USB HIB Shelf Assy	17
USB HIB Box	18
Remote Readout	20
Wheel Clamp Version I	22
Wheel Clamp Version II	24
Quick Clamp	26
Truck Wheel Clamp	27
Miscellaneous Parts	28
Optional Femas Accessories	29
Femas Clamp	29
Calibration Equipment	30
Dual Wheel Adapter	30
Spoiler Adapter	30
Main Sensor Power Cable	31
Tilt Cable	31
HIB to Wheel Sensor Cable	32
Electronic TT to Wheel Sensor	32
HIB Box To Junction Box Wired Lift	33
ETT / Remote To HIB	34
Rack Wiring Kit	35
Cable Assembly Wired Lift	36
Cable Assembly Junction Box	36
Junction Box Assembly	37
Additional Rack Wiring Kits	38

Blank Page

Gen II CCD Head Kits

	Kits (2 heads, cables, labels, box)		Service Kits (1 head, labels, box)	
HOFMANN	EAK0256J59B	HEAD KIT-CORDED, HOF BLK		
	EAA0305J05B	HEAD ASSY-CORDED, LH, SUN/HOF	EAK0256J53B	HEAD KIT-LH CORD HOF, BLK SV0
	EAA0305J06B	HEAD ASSY-CORDED, RH, SUN/HOF	EAK0256J54B	HEAD KIT-RH CORD HOF, BLK SV0
	EAK0256J51B	HEAD KIT-6 SENSOR HOF BLK		
	EAA0305J09B	HEAD ASSY-CORDED, LH 6 SENSOR	EAK0256J57B	HEAD KIT-LH 6 SENSOR HOF SV0
	EAA0305J10B	HEAD ASSY-CORDED, RH 6 SENSOR	EAK0256J58B	HEAD KIT-RH 6 SENSOR HOF SV0
	EAK0256J82B	HEAD KIT-CDLESS HOF BLK		
	EAA0305J76B	HEAD ASSY-CDLESS LH HOF	EAK0256J83B	HEAD KIT-LH CDLESS HOF SV0
	EAA0305J77B	HEAD ASSY-CDLESS RH, HOF	EAK0256J84B	HEAD KIT-RH CDLESS HOF SV0
JBC	EAK0222J34B	HEAD KIT-JBC CORDED		
	EAA0305J01B	HEAD ASSY-CORDED LH, JBC/GS	EAK0222J35B	HEAD KIT-LH CORDED, JBC/SV0
	EAA0305J02B	HEAD ASSY-CORDED RH, JBC/GS	EAK0222J36B	HEAD KIT-RH CORDED, JBC/SV0
	EAK0222J84B	HEAD KIT-CCD REAR, JBC		
	EAA0305J09B	HEAD ASSY-CORDED, LH 6 SENSOR		
	EAA0305J10B	HEAD ASSY-CORDED, RH 6 SENSOR		
GENERIC	EAK0256J74B	HEAD KIT-CORDLESS JBC		
	EAA0305J74B	HEAD ASSY-CDLESS LH, JBC/GS	EAK0256J75B	HEAD KIT-LH CORDLESS JBC/SV0
	EAA0305J75B	HEAD ASSY-CDLESS RH, JBC/GS	EAK0256J76B	HEAD KIT-RH CORDLESS JBC/SV0
	EAK0256J24B	HEAD KIT-CORDED JBC/GS	<i>(no nameplates I.e. generic)</i>	
	EAA0305J01B	HEAD ASSY-CORDED LH, JBC/GS		
	EAA0305J02B	HEAD ASSY-CORDED RH, JBC/GS		
	EAK0256J28B	HEAD KIT-6 SENSOR, GENERIC	<i>(no nameplates I.e. generic)</i>	
	EAA0305J09B	HEAD ASSY-CORDED, LH 6 SENSOR		
	EAA0305J10B	HEAD ASSY-CORDED, RH 6 SENSOR		
	EAK0256J25B	HEAD KIT-CORDED, SUN/HOF	<i>(no nameplates I.e. generic)</i>	
	EAA0305J05B	HEAD ASSY-CORDED, LH, SUN/HOF		
	EAA0305J06B	HEAD ASSY-CORDED, RH, SUN/HOF		
EAK0256J77B	HEAD KIT-CORDLESS, JBC/GS STYLE	<i>(no nameplates I.e. generic)</i>		
EAA0305J74B	HEAD ASSY-CDLESS LH, JBC/GS			
EAA0305J75B	HEAD ASSY-CDLESS RH, JBC/GS			
EAK0256J78B	HEAD KIT-CORDLESS, SUN/HOF	<i>(no nameplates I.e. generic)</i>		
EAA0305J76B	HEAD ASSY-CDLESS LH HOF			
EAA0305J77B	HEAD ASSY-CDLESS RH, HOF			
EAK0268J49B	HEAD KIT-CORDLESS, GENERIC	<i>(CCD nameplates in head assy, JBC style)</i>		
EAA0321J83B	HEAD ASSY-CDLESS LH GENERIC			
EAA0321J84B	HEAD ASSY-CDLESS RH GENERIC			
MERCEDES	EAK0256J65B	HEAD KIT-CORDED, MERCEDES	<i>(nameplates in head assemblies)</i>	
	EAA0305J56B	HEAD ASSY CORDED-LH, MERCEDES		
	EAA0305J57B	HEAD ASSY CORDED-RH, MERCEDES		
	EAK0256J85B	HEAD KIT-CORDLESS, MERCEDES	<i>(nameplates in head assemblies)</i>	
EAA0305J78B	HEAD ASSY-CDLESS, LH MERCEDES			
EAA0305J79B	HEAD ASSY-CDLESS, RH MERCEDES			
SNAP-ON	EAK0268J29B	HEAD KIT-CORDED, HOF STYLE SO		
	EAA0305J05B	HEAD ASSY-CORDED, LH, SUN/HOF		
	EAA0305J06B	HEAD ASSY-CORDED, RH, SUN/HOF		
	EAK0268J28B	HEAD KIT-6 SENSOR, CORDED SO		
	EAA0305J09B	HEAD ASSY-CORDED, LH 6 SENSOR		
	EAA0305J10B	HEAD ASSY-CORDED, RH 6 SENSOR		
EAK0268J27B	HEAD KIT-CORDLESS SO			
EAA0321J41B	HEAD ASSY-CDLESS LH SO			
EAA0321J40B	HEAD ASSY-CDLESS RH SO			
SUN	EAK0256J86B	HEAD KIT-SUN CORDLESS	<i>(nameplates in head assemblies)</i>	
	EAA0305J81B	HEAD ASSY-CDLESS LH SUN	EAK0256J87B	HEAD KIT-LH CORDLESS SUN/SV0
	EAA0305J82B	HEAD ASSY-CDLESS RH SUN	EAK0256J91B	HEAD KIT-RH CORDLESS SUN/SV0
VAG	EAK0255P10B	HEAD KIT-CORDED, VAG	<i>(CCD nameplates)</i>	
	EAA0305J15B	HEAD ASSY-CORDED, LH GENERIC		
	EAA0305J16B	HEAD ASSY-CORDED, RH GENERIC		

Wheel Sensor Gen II



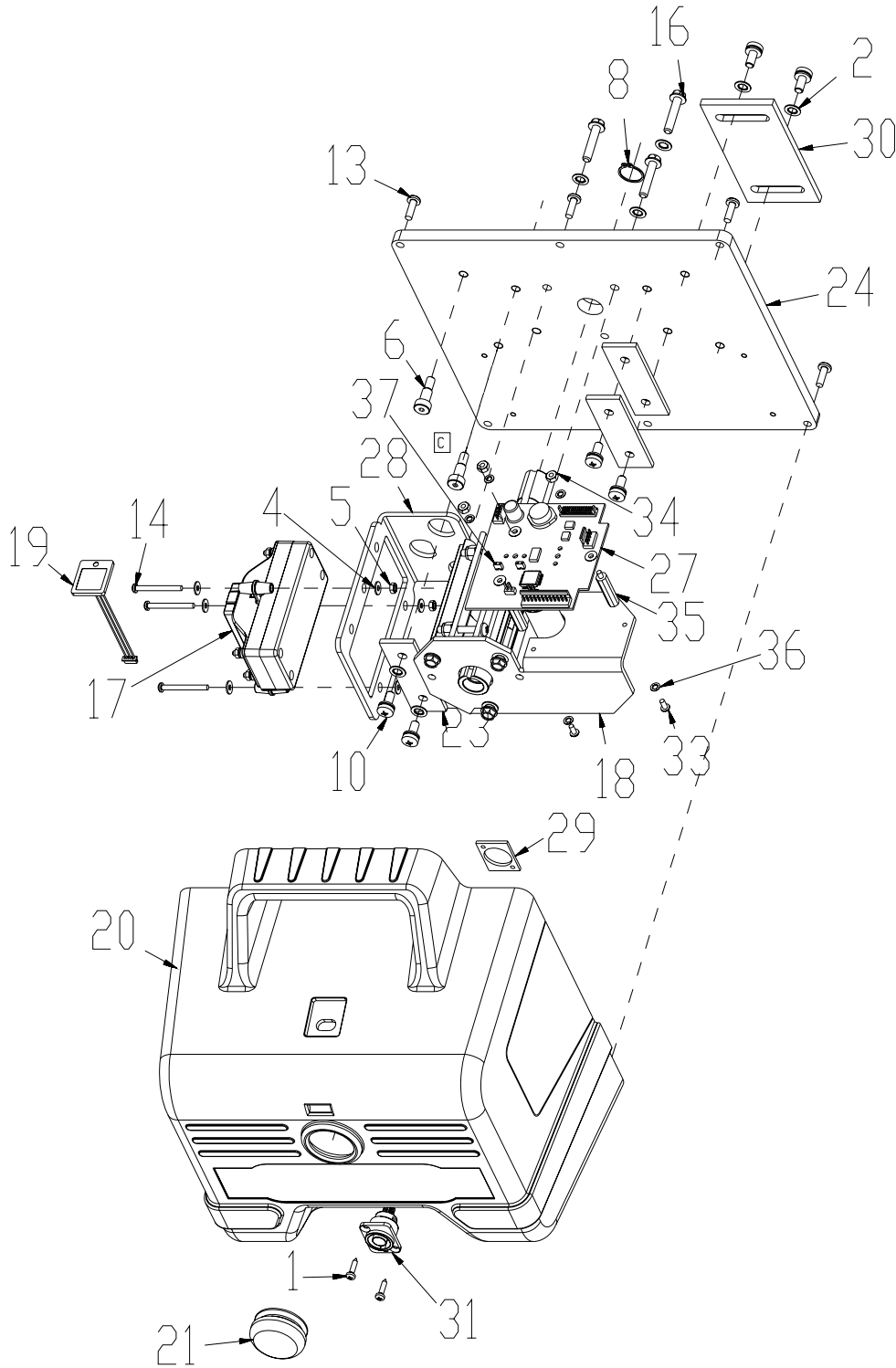
Wheel Sensor Gen II

<u>Ref</u>	<u>Qty</u>	<u>Part Number</u>	<u>Description</u>	<u>Brand</u>
1	1	EAC0055J03A	Head Cover, LH	HOF (old style)
	1	EAC0055J23A	Head Cover, LH, JBC	JBC/GS/Mer/Hof/SUN
	1	EAC0055J32A	Head Cover, LH, SUN	SUN (old style)
2	1	EAC0055J04A	Head Cover, RH	HOF (old style)
	1	EAC0055J24A	Head Cover, RH JBC	JBC/GS/Mer/Hof/SUN
	1	EAC0055J33A	Head Cover, RH SUN	SUN (old style)
3	1	EAC0055J05A	Bumper - Head, Main, JB	JBC/GS/Mer (All)
	1	EAC0055J35A	Bumper - Head, Main,	HOF (old style)
4	1	EAC0055J29A	Front Bumper	All
5	1	EAA0305J52A	Skeleton Assy - LH, Mercedes	Mercedes
	1	EAA0305J53A	Skeleton Assy - RH, Mercedes	Mercedes
	1	EAS2022J12A	Skeleton Assy - Head, LH	JBC/GS/Hof/SUN
	1	EAS2022J54A	Skeleton Assy - Head, RH	JBC/GS/Hof/SUN
5a	1	EAA0305J58A	Collar - Brake SVC	All
5b	2	EAC0055J17A	Brake Shoe CCD Sensor	All
5c	1	EAM0023J71A	Drum Brake Plastic	All
6	1	EAA0256J09A	Module Assy - Corded, LH	All
	1	EAA0256J10A	Module Assy - Corded, RH	All
	1	EAA0305J72A	MODULE ASSY-LH CORDLESS	All
	1	EAA0305J73A	MODULE ASSY-RH CORDLESS	All
7	1	EAE0049J58A	Tilt Assy - Sensor	All
9	2	EAA0321J93A	Pod Assy - CCD Head	All
10	1	EAE0049J00A	Keypad - CCD, Head	All
	1	EAE0049J13A	Switch - Keypad, Head	Hof
11	4	EAM0007J22A	Counterweight - Fixed	All
12	1	EAS2022J47A	Door - Fixed	All
	1	EAC0055J25A	DOOR-ACCESS,BATTERY Cdless	All
13	1	EAS2022J08A	Bracket - CCD, Rear Two	All
14	1	EAM0007J07A	Weight - Secondary, CCD Head	All
15	1	EAL0374P21A	Decal - CCD Head	Mercedes
	1	EAL0343J16A	NAMEPLATE-SUN,HEAD Cdless	SUN
16	1	EAC0055J31A	Knob Assembly - Brake	All
18	1	EAW0235J53A	Cable - Keypad	All
19	6	1-24706A	Screw - PHMS, M3 X .5mm X 30mm	All
20	9	1-9541	Washer - Flat, M3 Din 125a	All
21	3	1-01537A	Nut - ESNA, M3 X .5mm	All
22	2	1-24906A	Screw - PHMS, M4 X .7mm X 30mm	All
23	9	1-24606A	Screw - PHMS, M4 X .7mm X 12mm	All
24	2	1-15606A	Screw - M4 X 20mm PHMS, Blk	All
25	2	1-20906A	Screw - PHMS, M5 X .8mm X 12m	All
26	4	1-23223A	Screw - Phil Pan M2.9x13	All
27	4	1-3147	Washer - M3, Int Tooth	All
28	3	8-02340A	Clip - Key Hole, Nylon - Black	All
30	1	1-03676A	Plug - Dome	All
31	1	1-16981A	Level Vial - P/N 0150	All
32	2	1-01737A	Nut - ESNA, M4	All
33	1	EAS2022J75A	Plate - Retain, CW	All
35	0.83	5-09826A	Strip - Cell Foam, 1/16x1/4, Adhes	All
38	2	1-18941A	WASHER-FLAT,.195X.619X.06THK	SO/SUN/HOF
42	0.084	00985271000	Strip - Seal, 1/4" X 1"	All
43	3	1-16006A	Screw - M5 X 12mm Pan Hd, Blk	All
44	1	2-48204A	JUMPER-2 PIN .100"	All

Rear 6 Sensor Gen II

EAA0305J09B - JBC Left Hand

EAA0305J10B - JBC Right Hand



Rear 6 Sensor Gen II

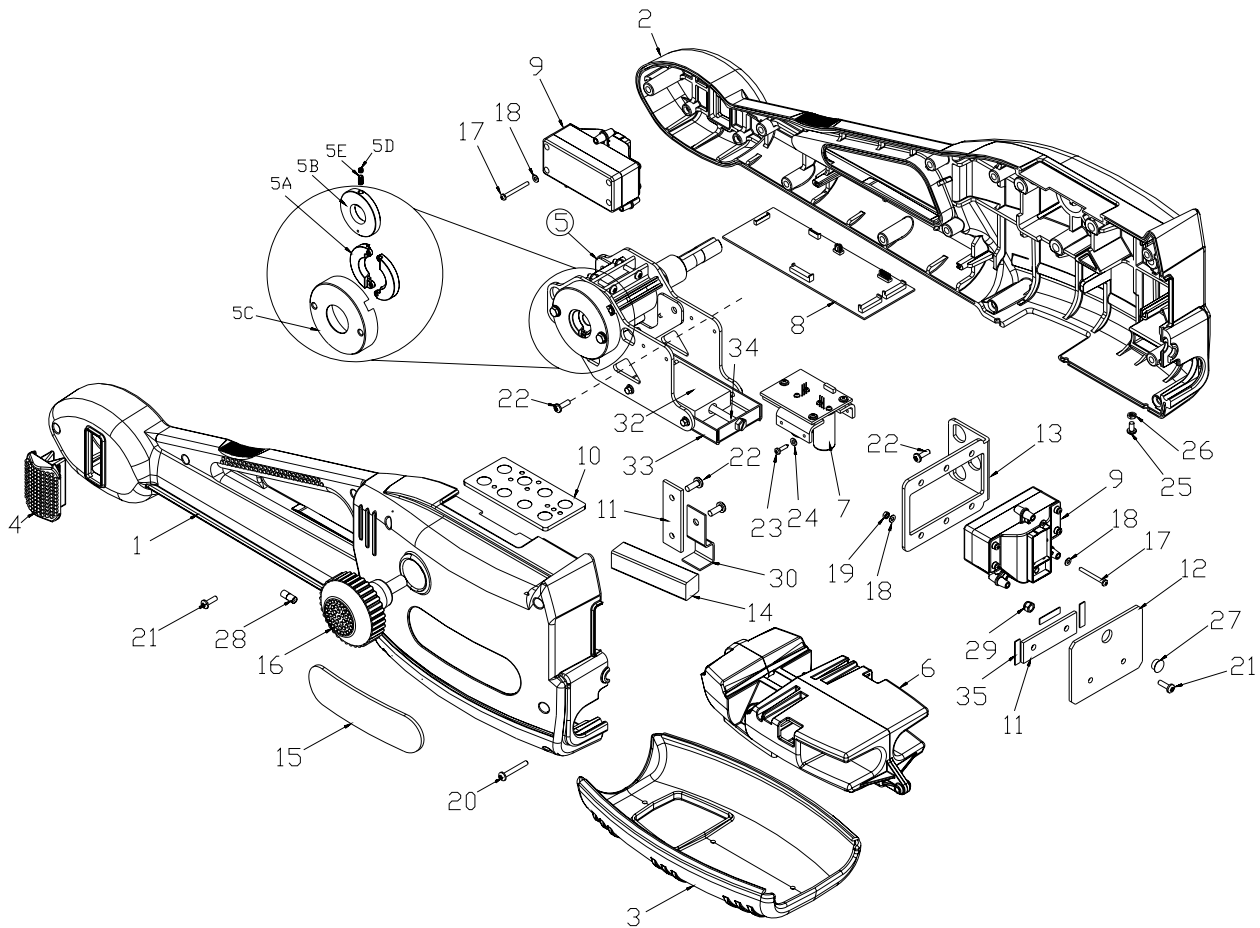
EAA0305J09B - JBC Left Hand

EAA0305J10B - JBC Right Hand

<u>Ref</u>	<u>Qty</u>	<u>Part Number</u>	<u>Description</u>
1	2	1-23223A	Screw - Phil Pan M2.9x13
2	7	1-4647	Washer - M5, Int Tooth
4	6	1-11241	Washer - Flat, M3
5	3	1-01537A	Nut - Esna, M3 X .5mm
6	2	1-02111A	Screw - Shoulder M5 X 10
8	1	1-13677A	Ring - Retaining
10	6	1-20906A	Screw - PHMS, M5 X .8mm X 12m
13	6	1-24606A	Screw - PHMS, M4 X .7mm X 12mm
14	3	1-24706A	Screw - PHMS, M3 X .5mm X 30mm
16	3	1-46201A	Screw - Hhw Type F M5 X 25mm
17	1	EAA0321J93A	Pod Assy - CCD Head
18	1	EAA0287J45A	Skeleton Assy - RH, 6 Sensor
	1	EAA0287J47A	Skeleton Assy - LH, 6 Sensor
19	1	EAW0235J57A	Key Pad Assy - 6 Sensor
20	1	EAC0055J79A	Cover - 6 Sensor RH Jbc
	1	EAC0055J80A	Cover - 6 Sensor LH Jbc
21	1	EAC0055J89A	Bumper - 6 Sensor
23	3	EAM0007J22A	Counterweight - Fixed
24	1	EAM0016J85A	Plate - Back, 6 Sensor
27	1	EAK0268J94A	Tilt Assy - Sensor, Single Cal.
28	1	EAS2022J08A	Bracket - CCD, Rear Two
29	1	EAS2022J46A	Plate - Con
30	1	EAS2048J20A	Plate, Counter Weight 6 Sensor
31	1	EAW0235J00A	Cable Ass'y - Head, Main
33	3	1-01607	Screw - 4 - 40 X 1/4 PHMS,
34	3	1-4233	**Nut - Hex 4 - 40
35	3	1-11761A	Standoff 4 - 40 X 1" M/F
36	6	1-3147	Washer - M3, Int Tooth
37	2	2-48204A	Jumper - 2 Pin .100"

Wheel Sensor Gen I

Part Number	Description
EAK0222J35A	LF/RR Wheel Sensor JBC / SVO
EAK0222J36A	RF/LR Wheel Sensor JBC / SVO
EAK0222J44A	LF/RR Wheel Sensor, Sun / SVO
EAK0222J45A	RF/LR Wheel Sensor, Sun / SVO
EAK0222J56A	Head Kit - LH Cordless JBC / SVO (Old Design Ref. WA-1045-1)
EAK0222J57A	Head Kit - RH Cordless JBC / SVO (Old Design Ref. WA-1045-1)
EAK0256J75A	Head Kit - LH Cordless JBC / SVO (New Design Ref. WA-1045-1)
EAK0256J76A	Head Kit - RH Cordless JBC / SVO (New Design Ref. WA-1045-1)
EAK0256J87A	Head Kit - LH Cordless SUN / SVO (New Design)
EAK0256J55A	Head Kit - RH Cordless SUN / SVO (New Design)



Wheel Sensor Gen I

<u>Ref</u>	<u>Qty</u>	<u>Part Number</u>	<u>Description</u>
1	1	EAC0055J23A	Cover-head,LH JBC
	1	EAC0055J32A	Cover-head,LH SUN
2	1	EAC0055J24A	Cover-head,RH Nutserts Installed JBC
	1	EAC0055J33A	Cover-head,RH Nutserts Installed SUN
3	1	EAC0055J05A	Bumper - Main JBC
	1	EAC0055J35A	Bumper - Main SUN
*	3	8-02340A	Push button Snap (Clear)
4	1	EAC0055J29A	Bumper Front
5	1	EAS2022J12A	Ass'y-skeleton,Head,LH
	1	EAS2022J54A	Ass'y-skeleton,Head,RH
	2	1-2163	Bearing-1.375odx.6idx.436thk
*	1	EAM0007J27A	Spacer-extrusion,Skeleton(mach
*	1	EAC0055J15A	Shaft-stub,Head
5a	2	EAC0055J17A	Brake Shoe
*	1	6-00401A	Spring
*	1	EAM0023J63A	Spring Holder
*	2	EAS2022J00A	Plate-skeleton
*	1	EAS2022J02A	Bracket-counterweight
*	1	EAS2022J03A	Weight-counter
*	1	EAS2022J04A	Thread Rod-counterweight
*	1	EAS2022J05A	Plate-retain,Skeleton
5b	1	EAA0305J58A	Collar-shaft (With Sheer Proof Pin)
5c	1	EAM0023J41A	Brake Drum ABS Plastic
*	1	EAC0055J14A	Tube-spacer
5d	1	1-38610	Screw - Set, M4 X 0.7 X 4MM, Cup Point
5e	1	1-39010A	Screw - Set, M4 X 0.7 X 10MM, Cup Point
*	3	1-13677A	Retaining Ring-sh59
*	1	1-39010A	Screw-set,M4x.7x10mm,Cup Pt
*	1	1-17552A	Dowel Pin-m2x12mm,Alloy Stl,Zn
*	1	1-01637A	Nut-esna,M6 X 1mm,Zinc
*	6	1-03425A	Screw-m4x.7x8mm,Self Tap,Zinc
*	8	1-3225A	Screw-m5x.8x20mm,Slftp,Hx Hd,Z
*	1	1-38610	Screw-set,M4x.7mmx4mm,Cup Pt
*	2	1-01315A	Bolt-hhw,10-14,Semi Cup Pt
*	2	1-24906A	Screw-phms,M4x.7mmx30mm,Zinc
*	2	1-01737A	Nut-esna,M4,Zinc
*	8	1-4647	Washer-internal Tooth,M5
6	1	EAA0256J09A	Ass'y-corded Module,LH
	1	EAA0256J10A	Ass'y-corded Module,RH
*	1	EAC0055J26A	Module - RF/Con., RH
*	1	EAC0055J27A	Module - RF/Con., LH
*	1	EAS2022J46A	Plate - Con
*	2	1-16523	Screw - PHMS, M2.9 X 1 X 9.5MM, Self tap
*	3	1-24206A	Screw - PHMS, M3 X 0.5 X 16MM
*	1	EAL0343J17A	Label - Cover,
*	1	1-3776A	Plug - Dome, 2673
7	1	EAE0049J07A	Tilt Sensor-Assembly
	3	1-11241	Washer - Flat M3
	3	1-16623	Screw - PHMS, M2.9 X 1 X 13MM, Self Tap
	3	1-09162A	Spacer - .5MM OD X 3.2 MM ID X 5MM HT
	1	EAS2022J01A	Bracket - Tilt

Continued Next Page

Wheel Sensor Gen I

<u>Ref</u>	<u>Qty</u>	<u>Part Number</u>	<u>Description</u>
8	1	EAP0196G20A	PCB Ass'y-main,CCD Head
9	2	EAA0256J05A	Ass'y-CCD, Cross & Track
*	2	EAW0235J18A	CCD cable
<u>Ref</u>	<u>Qty</u>	<u>Part Number</u>	<u>Description</u>
10	1	EAE0049J00A	Keypad - CCD Sensor JBC
	1	EAE0049J13A	Keypad - CCD Sensor SUN
*	1	EAW0235J18A	Cable Ass'y-keypad
11	3	EAM0007J22A	Counterweight-fixed
12	1	EAS2022J47A	Door-fixed
13	1	EAS2022J08A	Bracket-CCD,Rear
14	2	EAM0007J07A	Weight - Secondary, JBC
	2	EAM0007J42A	Weight - Secondary, SUN
15	1	EAL0343J00A	Nameplate - Sensor, JBC
	1	EAL0343J16A	Nameplate - Sensor, SUN
16	1	EAC0055J31A	Knob Ass'y-brake
17	6	1-24706A	Screw-phms,M3 X .5mm X 30mm
18	9	1-9541	Washer-flat, M3 Din 125a
19	3	1-01537A	Nut-esna,M3 X 0.5
20	2	1-24906A	Screw-phms,M4x.7mmx30mm,Zinc
21	11	1-24606A	Screw-phms,M4 X .7mm X 12mm
22	7	1-20906	Screw-phms,M5 X .8mm X 12mm
23	4	1-21123A	Scew-phms,M2.9 X 1 X 13mm
24	4	1-3147	Washer-m3,Int Tooth
25	3	1-24806A	Screw-phms,M4 X .7mm X 8mm
26	3	1-4134A	Nut-hex,Jam,M4 X 0.7
27	1	1-03676A	Plug-dome,1681
28	1	1-16981A	Vial-level
29	2	1-01737A	Nut-esna,M4,Zinc
30	2	EAS2022J75A	Plate-retain,CW
31	0.25	5-09826A	Strip-cell Foam,1/16x1/4,Adhsv
32	1	EAS2022J03A	Counter weight
33	2	EAS2022J02A	Counterweight Bracket
34	1	EAS2022J04A	Threaded Rod Counterweight
*	1	1-01637A	Nut-esna,M6 X 1mm,Zinc
35	.25'	5-09826A	Strip - Seal 1/32 Thick
*	2	EAL0343J45A	Label - Head LH/RH

* Parts not shown in assembly

Shaded areas are parts not shown but make up assemblies of the bold items

PC Assembly

EAA0321J07A

<u>Qty</u>	<u>Part Number</u>	<u>Description</u>
1	0008871700	Keyboard Kit
1	00088716000	Label - F Keys
1	3-02806A	PC - Dell
1	3-03106A	Mouse (Dell)
1	2-02906A	Keyboard (Dell)
1	EAL0343J64A	Label - Caution
1	00088716000	Decal - Keyboard, Function Keys
1	EAK0268J05A	Printer - Color, Inkjet
1	00088910000	Paper - Printer, Laser
1	6-02422B6	USB Cable (Printer)
1	5-10426A1	Tape - Hook Velcro, #88 - 0.67 Length
1	5-10426A2	Tape - Loop Velcro, #1000 - 0.67 Length
1	00089209000	Cord - Power, Adapter, 12"
1	EAL0343J25A	Pad - Mouse, JBC
1	EAK0268J19A	Speaker / Velcro Assembly

Prior to DELL PC's

1	3-02806A	PC - Dell
1	EAL0343J64A	Label - Caution
1	00088716000	Decal - Keyboard, Function Keys
1	00089168000	Printer - Color, Inkjet
1	00088910000	Paper - Printer, Laser
1	00083055000	Cable - Printer
0.67	5-10426A1	Tape - Hook Velcro, #88
0.67	5-10426A2	Tape - Loop Velcro, #1000
1	00089209000	Cord - Power, Adapter, 12"

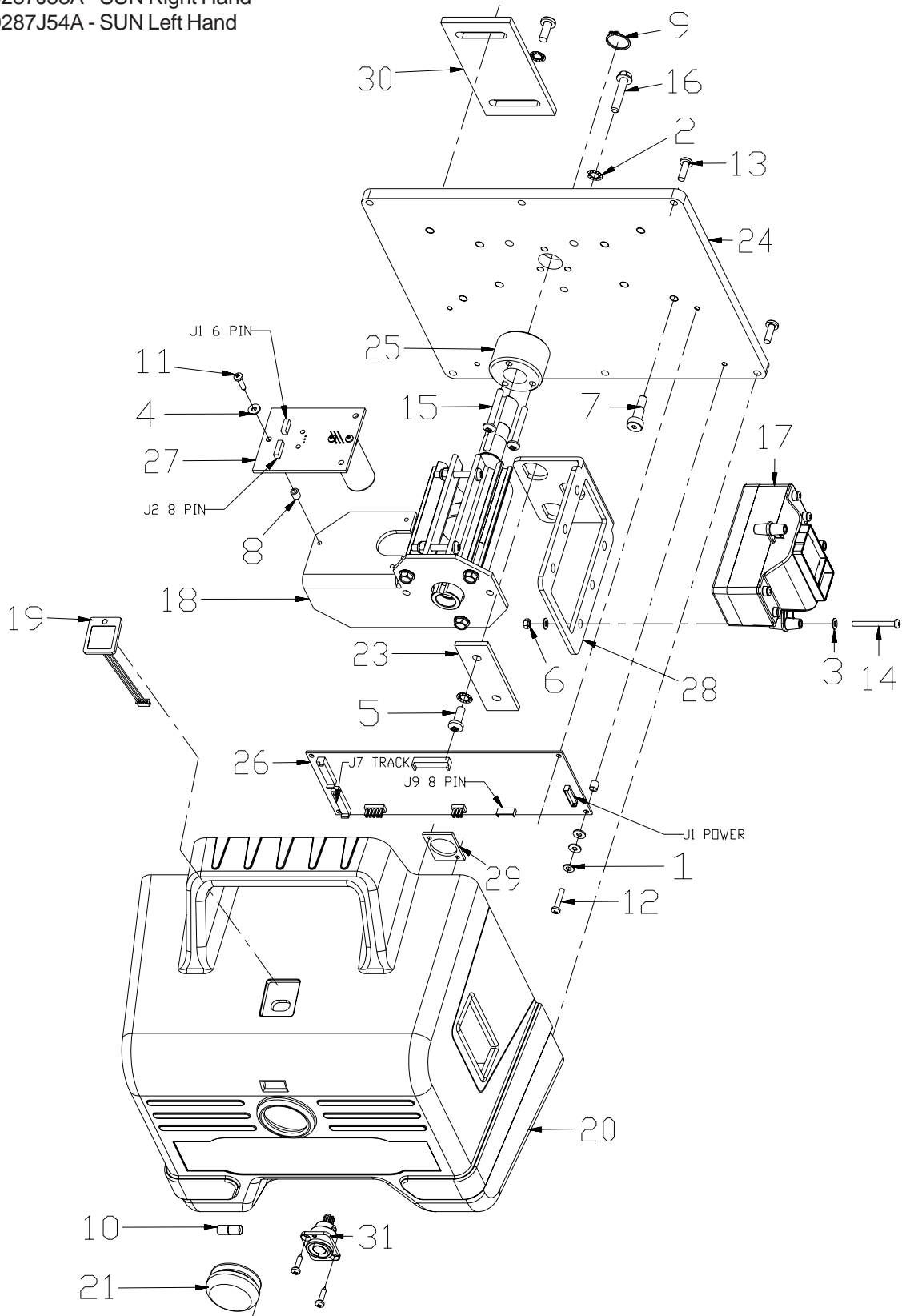
Rear 6 Sensor Version I

EAA0287J42A - JBC Left Hand

EAA0287J43A - JBC Right Hand

EAA0287J53A - SUN Right Hand

EAA0287J54A - SUN Left Hand



Rear 6 Sensor Version I

<u>Ref</u>	<u>Qty</u>	<u>Part Number</u>	<u>Description</u>
1	4	1-3147	Washer - M3, Int Tooth
2	7	1-4647	Washer - Int Tooth, M5
3	6	1-9541	Washer - Flat, M3 Din 125a
4	11	1-11241	Washer - Flat, M3
5	6	1-20906	Screw - PHMS, M5 X .8mm X 12mm
6	3	1-01537A	Nut - ESNA, M3 X .5mm
7	2	1-02111A	Screw - Shoulder, M5 X 10mm
8	7	1-09162A	Spacer - 5mm OD X 3.2mm ID X 5mm
9	1	1-13677A	Ring - Retaining
10	1	1-16981A	Vial - Level
11	5	1-21123A	Screw - PHMS, M2.9 X 1 X 13mm
12	4	1-24206A	Screw - PHMS, M3 X X 0.5 X 16mm
13	6	1-24606A	Screw - PHMS, M4 X .7mm X 12mm
14	3	1-24706A	Screw - PHMS, M3 X .5mm X 30mm
15	3	1-24906A	Screw - PHMS, M4 X .7mm X 30mm
16	3	1-46201A	Screw - M5 X 0.8mm X 20mm, Self Tap
17	1	EAA0256J05A	Pod Ass'y - CCD, Head
18	1	EAA0287J45A	Skeleton Assy, RH, 6 Sensor
	1	EAA0287J47A	Skeleton Assy, LH, 6 Sensor
19	1	EAA0287J50A	Keypad Assy - 6 Sensor
20	1	EAC0055J79A	Cover - 6 Sen, RH, JBC
	1	EAC0055J80A	Cover - 6 Sen, LH, JBC
	1	EAC0055J83A	Cover-6 SUN, RH - gray
	1	EAC0055J84A	Cover-6 SUN, LH - gray
21	1	EAC0055J89A	Bumper - 6 Sensor
22	1	EAL0343J00A	Nameplate - JBC, CCD Sensor
	1	EAL0343J16A	Nameplate - SUN, Head
23	1	EAM0007J22A	Counterweight - Fixed
24	1	EAM0016J85A	Plate - Back, 6 Sensor
25	1	EAM0016J91A	Plug - Spacer, 6 Sensor
26	1	EAP0196G20A	PCB Ass'y - Head, Toe
27	1	EAP0196J54A	PCB Ass'y - Camber, Tilt
28	1	EAS2022J08A	Bracket - CCD, Rear Two
29	1	EAS2022J46A	Plate - Con
30	1	EAS2048J20A	Plate - Counter, 6 Sensor
31	1	EAW0235J25A	Cable Ass'y - Head, Main
32	1	EAW0235J03A	Cable Ass'y - Head, Tilt

Wheel Sensor Module - Cordless Verison II

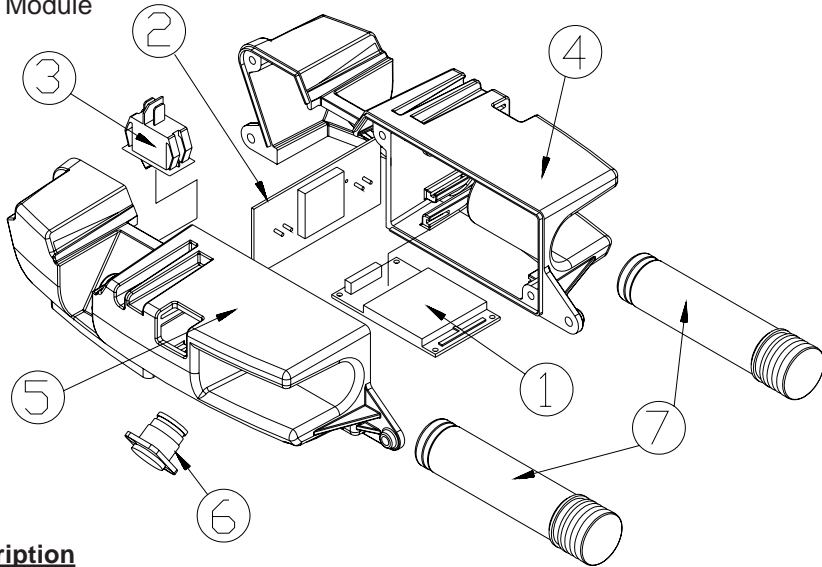
<u>Part Number</u>	<u>Description</u>
EAA0305J72A	Assy - LF / RR Module
EAA0305J73A	Assy - RF / LR Module

Dip Switch Settings item 2 Ver I

1 - off	4 - on
2 - on	5 - on
3 - on	6 - off

Dip Switch Settings item 2 VerII

1 - off	4 - off
2 - off	5 - off
3 - off	6 - off



<u>Ref</u>	<u>Qty</u>	<u>Part Number</u>	<u>Description</u>
1	1	3-01209A	Radio - 2.4GHZ Head AC1524C - 10A
2	1	EAP0238J34B	PCB - Battery Int Head
3	1	01122502000	Switch - Power SPDT
4	1	EAC0055J26A	Module - RF / Con., RH
5	1	EAC0055J27A	Module - LF / Con., LH
6	1	EAS2022J46A	Plate - Con
7	2	EAA0287J34A	Battery - Cordless, 3.6v
*	2	1-16523	Screw - PHMS,M2.9x1x9.5mm,Sif Tp
*	3	1-24206A	Screw - PHMS,M3 X .5mm X 16mm
*	1	1-3776A	Plug - Dome,2673
*	1	EAW0235J13A	Cable Assy Head, Main, Cordless
*	1	EAW0235J26A	Cable Assy - Head, Radio, Cordless
*	1	EAW0235J25A	Cable Assy Head, Interface
*	1	EAC0055J25A	Door - Access, Battery

Cordless Receiver Pod Version II

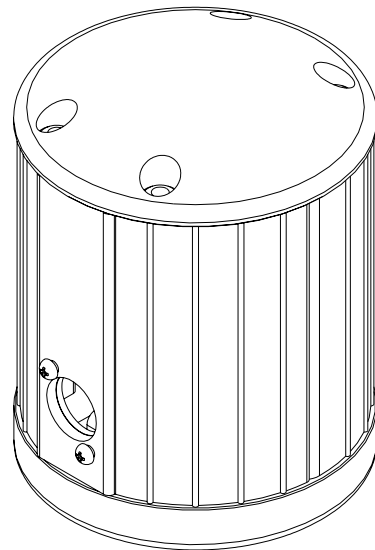
<u>Part Number</u>	<u>Description</u>
EAA0305J70A (Rev B)	Pod Assy - Cordless

Dip Switch Settings Ver I

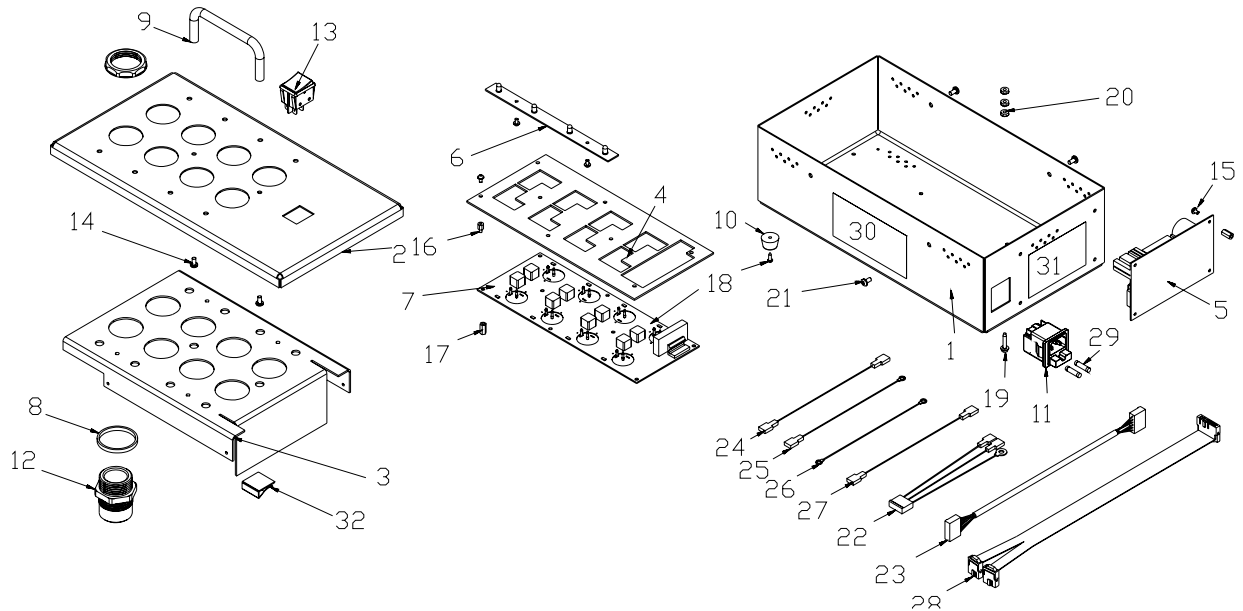
1 - on	4 - on
2 - on	5 - on
3 - on	6 - off

Dip Switch Settings VerII

1 - off	4 - off
2 - off	5 - off
3 - off	6 - on



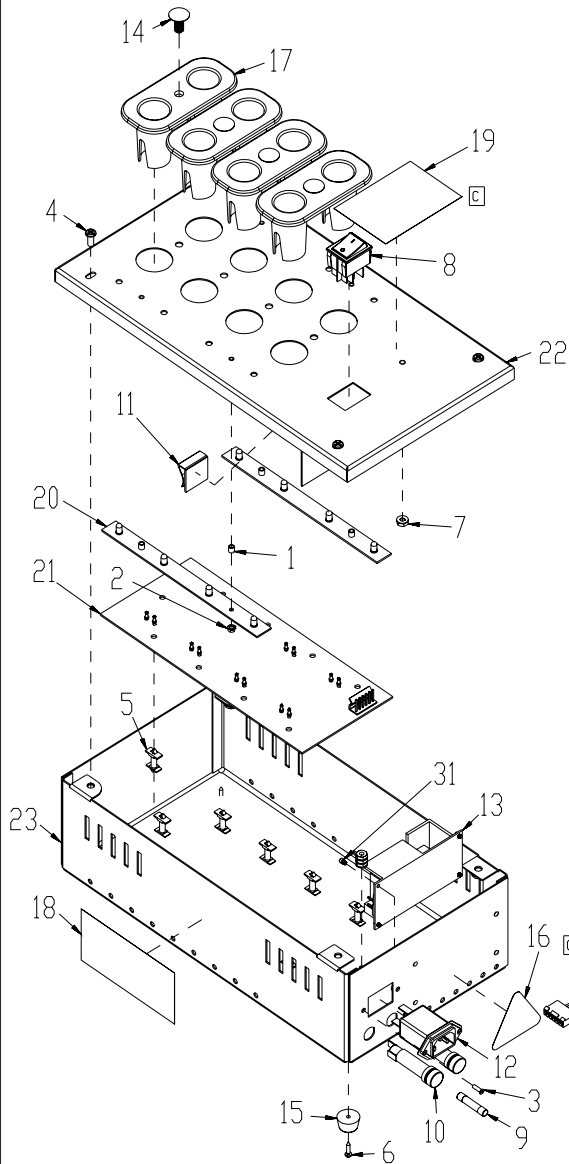
Battery Charger - Cordless



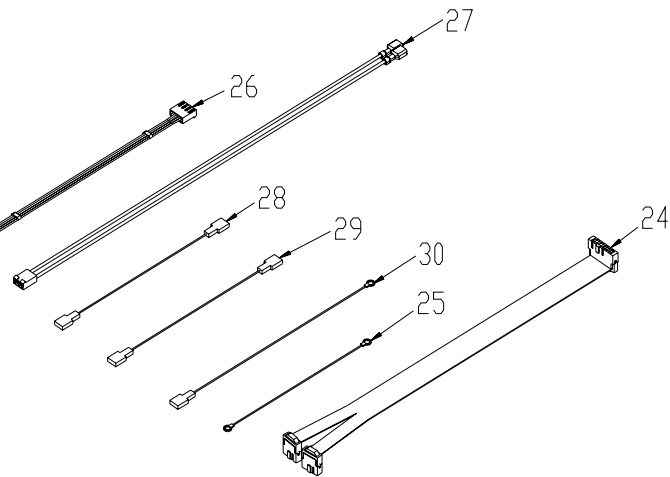
<u>Ref</u>	<u>Qty</u>	<u>Part Number</u>	<u>Description</u>
1	1	EAS2048J10A	Battery Charger Box Bottom
2	1	EAS2048J09A	Battery Charger Box Top
3	1	EAS2048J11A	Battery Charger Box Support
4	1	EAS2048J12A	Battery Charger Box Stop
5	1	EAP0216P10A	Power Supply - 9v
6	2	EAP0196J44A	PCB - Led, Battery Charger
7	1	EAP0196G60B	PCB - Battery Charger
8	8	EAM0016J72A	Spacer Battery Charger
9	1	8-08833A	Handle
10	4	8-08018A	Mount - Rubber
11	1	2-35266A	Plug - IEC, Filter, Fused
12	8	2-19547A	Connector - Water Tight Heyco
13	1	2-12558A	Switch - Rocker DPST, Lit
14	2	1-24806A	Screw - PHMS, M4 X .7mm X 8mm
15	28	1-17906A	Screw - PHMS M3 X 6
17	12	1-12161A	Standoff - M3 X 12mm F/F
18	4	1-06724A	Screw - Self Tap M2.9 X 9.5mm
19	1	00083558000	Screw - Ground, #8-32 X 3/4 Grn
20	3	01181298000	Nut - Keps, #8-32 UNC - 2b Cd/Zn
21	4	01122289000	Screw, 8-18 X 1/2 Self Tap PNHD
22	1	EAW0243P20A	Cable - 3way Power
23	1	EAW0243P16A	Cable - 6way To 6way Power
24	1	EAW0243P23A	Cable - Link Wire, Blue
25	1	EAW0243P25A	Cable - Link Wire
26	1	EAW0243P26A	Link Wire Ground To Ground
27	1	EAW0243P22A	Cable - Link Wire, Brown
28	1	EAW0235J29A	LED Cable Assy, Battery Charger
29	2	2-19151A	Fuse -.5a, Slo, 5 X 20mm
30	1	EAL0343J51A	Label - Battery Charger, General
31	1	EAL0343J54A	Label - Battery Charger
32	1	2-3657	Cable Clamp (Flat Cable)
33	8	1-24706A	Screw - PHMS, M3 X .5mm X 30mm
34	16	1-10662A	Spacer - 3mm - Nylon Blk
35	8	1-01537A	Nut - ESNA, M3 X .5mm
36	8	1-12844A	Washer - Shoulder

Battery Charger - Cordless Version II

EAA0305J71A

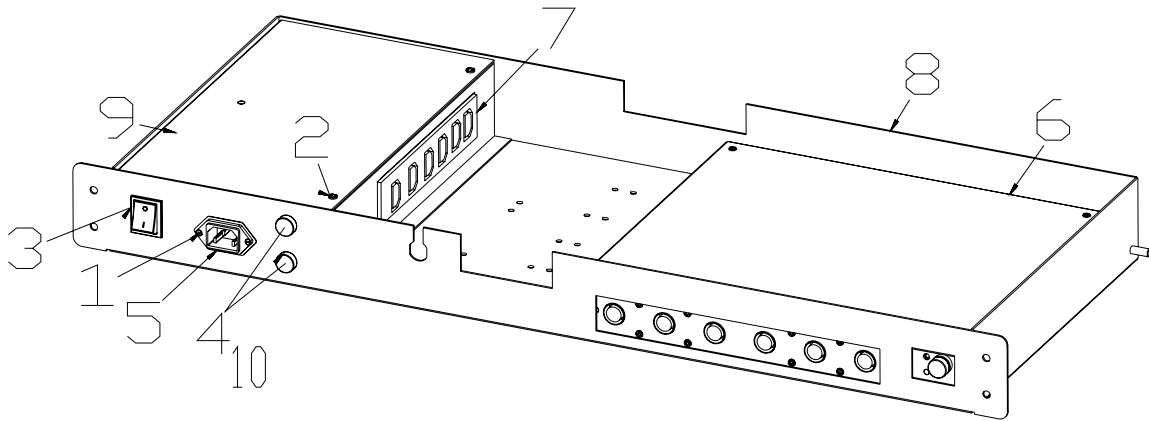


SYM	REQD	PART NO	DESCRIPTION
31	4	1-26406A	SCREW - PHMS M3 X 4
30	1	EAW0243P25A	LINK WIRE EARTH
29	2	EAW0243P23A	LINK WIRE BLUE
28	2	EAW0243P22A	LINK WIRE BROWN
27	1	EAW0235J43A	CABLE ASSY 2 WAY POWER CABLE
26	1	EAW0235J42A	CABLE ASSY-POWER
25	1	EAW0235J36A	CABLE ASSY - GROUND, 12"
24	1	EAW0235J29A	LED CABLE ASSY- CHARGER
23	1	EAS2072J37A	COVER ASSY - BATTERY BOX BOTTOM
22	1	EAS2048J63A	COVER ASSY BATTERY CHGR BOX
21	1	EAP0238J10A	PCB ASS'Y - BATTERY CHARGER
20	2	EAP0196J44A	PCB ASS'Y-LED, BATTERY CHARGER
19	1	EAL0343J97A	LABEL-BATTERY CHARGER,VOLTAGE
18	1	EAL0343J51A	LABEL-BATTERY CHARGER,GENERAL
17	4	EAC0055J93A	SLEEVE-BATTERY
16	1	8-23562A	LABEL - WARNING
15	4	8-08018A	RUBBER FOOT
14	4	8-02740A	FASTENER - PANEL .7 DIA X .783
13	1	7-01902A	TRANSFORMER, 115/230V 12V DC
12	1	2-40248A	IEC INLET,(FILTER)
11	1	2-3657	CABLE CLAMP- FLAT CABLE
10	2	2-15651A	FUSE HOLDER
9	2	2-851	FUSE, 1 AMP, 250V
8	1	2-12258A	SWITCH, ROCKER
7	4	1-7033	NUT & L/WASHER ASS'Y- #8-32
6	4	1-23223A	SCREW- PHIL PAN HD,
5	9	1-22259A	STANDOFF, SNAP-LOCK
4	4	1-16006A	PHMS, M5 x 12mm
3	2	1-11103	M3 X 10mm FLAT HEAD SCREW
2	4	1-10779A	NUT, M3 BARB
1	4	1-09162A	SPACER-5MM OD X 3.2MM ID X 5MM HT
SYM	REQD	PART NO	DESCRIPTION



USB HIB Shelf Assy

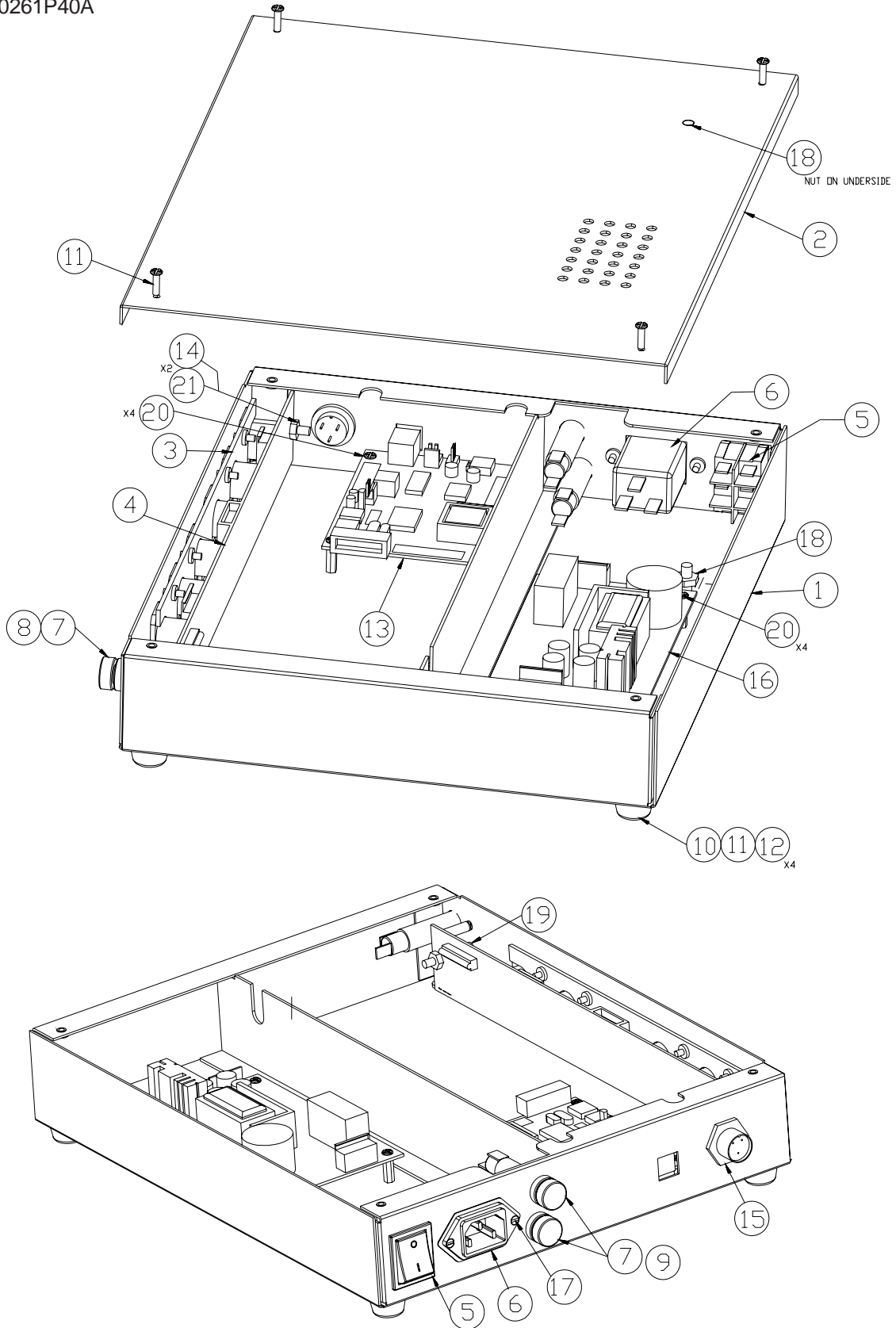
EAA0256J57A



<u>Ref</u>	<u>Qty</u>	<u>Part Number</u>	<u>Description</u>
1	2	1-11103	Screw - M3 X 10mm, FHMS,Blk
2	2	1-29906A	Screw - Pan Hd, M4 X 12mm
3	1	2-12258A	Switch - Rocker On/Off Black
4	2	2-15651A	Holder - Fuse
5	1	2-37348A	Receptacle - Cord, Power
6	1	EAA0261P40A	USB HIB Final Assy
7	1	EAA0261P60A	Cable - IEC Power Block Assy
8	1	EAS2040P06A	Shelf Assy - USB HIB
9	1	EAS2040P22A	Cover Assy - Power Inlet
10	2	2-18451A	Fuse - 5A, Slo

USB HIB Box

EAA0261P40A



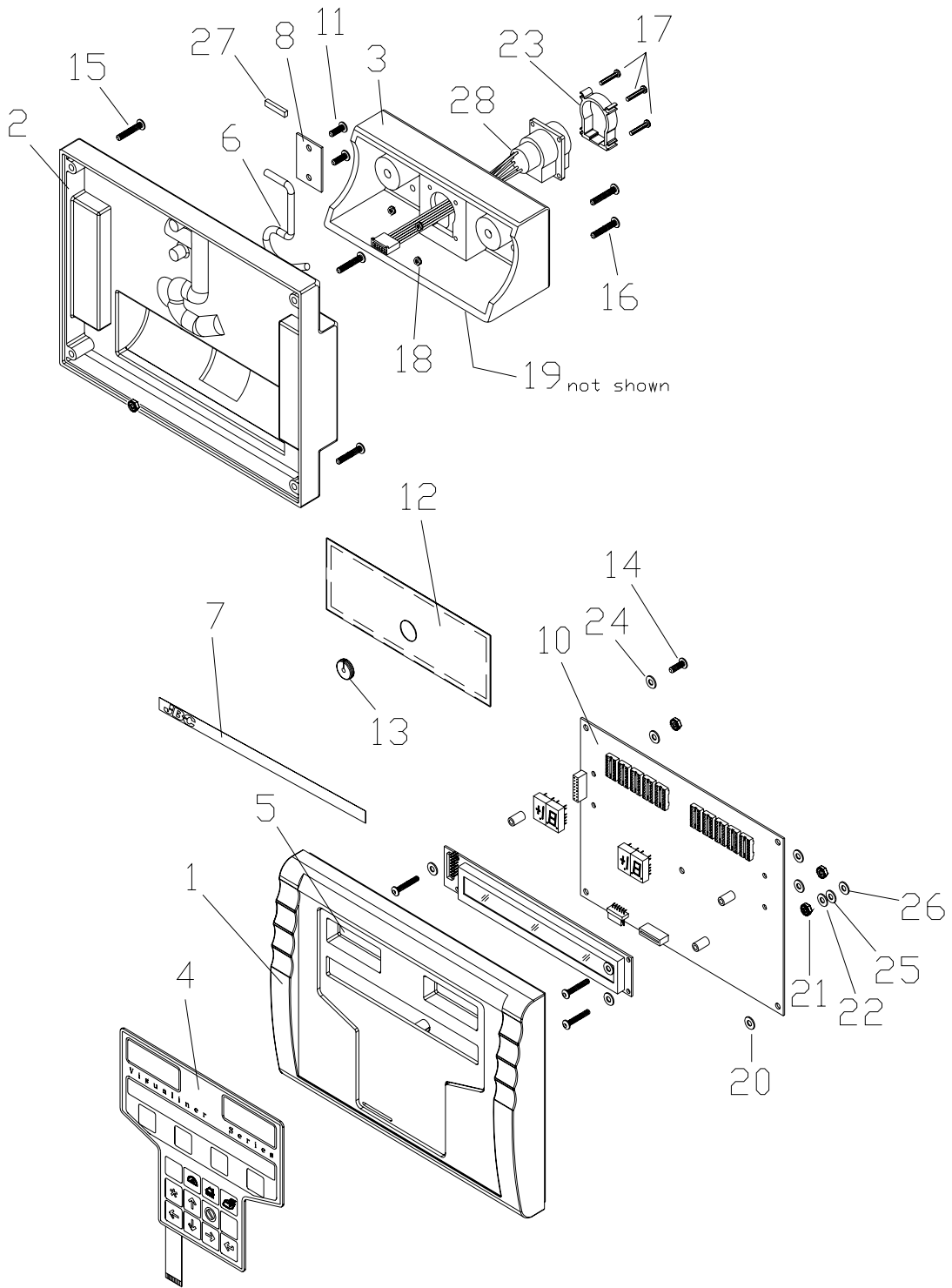
USB HIB Box

EAA0261P40A

<u>Ref</u>	<u>Qty</u>	<u>Part Number</u>	<u>Description</u>
1	1	EAS2024P64A	USB Base Assy'
2	1	EAS2024P66A	Cover Assy
3	1	EAS2024P63A	Connector Bracket Assy
4	1	EAP0216P00A	Interconnect PCB
5	1	2-12258A	Rocker Switch ON/OFF
6	1	2-40248A	IEC Inlet (Filter)
7	3	2-15651A	Fuse Holder
8	1	2-7051	Slow Blow Fuse 3A
9	2	2-7151	Slow Blow Fuse 8A
10	4	8-08018A	Rubber Feet
11	16	1-18206A	M3 x 12 Screw Pan Head
12	4	1-12941	M3 Washer
13	1	EAP0196J80A1	USB HIB PCB Assy
14	4	1-9733	Nut M4
15	1	EAW0243P10A	Remote Cable (Cable leading to HIB PCB)
16	1	2-37666A	Power Supply 10V 40W
17	2	1-11103	Screw Flat Head M3 x 10
18	2	1-9833	Nut M5
19	2	1-5962	Nylon Round Standoff 3/4"
20	8	1-19306A	M3 x 6mm screw
21	2	1-2648	M4 Star Washer
*	1	EAW0243P26A	Link Wire Ground to Ground
*	1	5-845	Tie Wrap
*	2	EAW0243P22A	Link Wire Brown
*	2	EAW0243P23A	Link Wire Blue
*	1	EAW0243P16A	Cable Assy, 6 way to 6 way Power Cable
*	1	EAW0243P20A	Cable Assy, 3 Way Power Cable
*	1	EAW0243P17A	Cable Assy, 16 way to 16 way IDC
*	1	EAW0243P25A	Cable - Link Wire
*	2	1-11341	Washer Plain M4
*	2	1-14106	M4 x 20 Pan Head Screw
	1	EAL0345P52A	Label - Fuse 3a
	2	EAL0345P53A	Label - Fuse 1a
	1	EAL0345P54A	Label - Electrical Warning

Remote Readout

EAK0222J77A



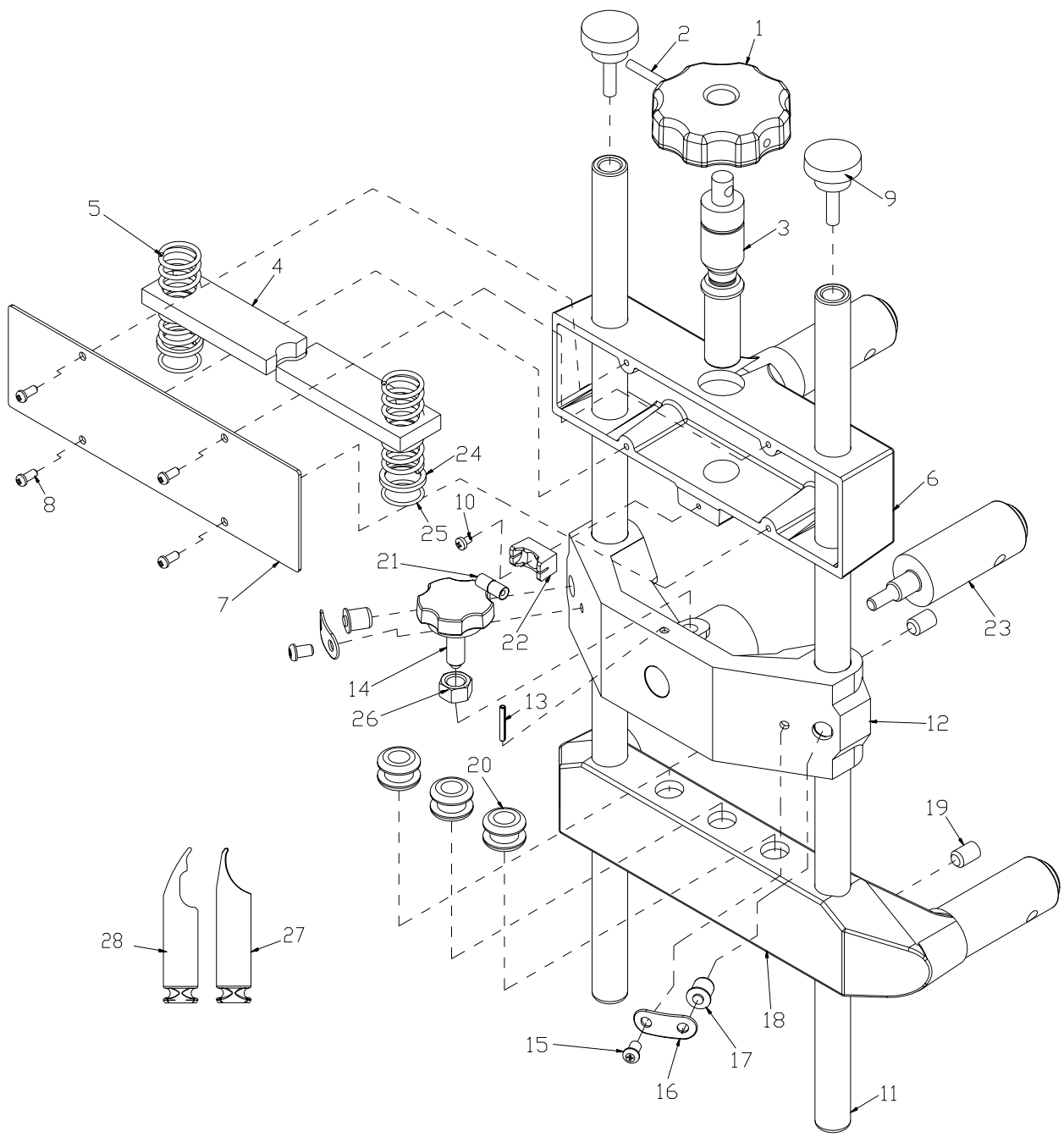
Remote Readout

EAA0287J61A

<u>Ref</u>	<u>Qty</u>	<u>Part Number</u>	<u>Description</u>
1	1	EAC0055J92A	Bezel Front Remote Black
2	1	EAC0055J91A	Panel - Rear Remote Black
3	1	EAC0055J90A	Pivot - Base, Black
4	1	EAA0287J60A	Switch - Membrane, Remote Pro32
5	2	00086179000	Window - LED, Remote
6	1	00086180000	Hook - Remote
7	1	00081226000	Decal-JBC,Remote Display
8	1	00086183000	Plate - Cover, Hook
9	2	01101740000	Screw - BHCS, #8 - 32 X 1/4 Hs
10	1	00086185000	PCB Ass'y - Remote
12	1	00086262000	Cover - Seal, Remote
13	1	01122121000	Grommet
14	5	01101554000	Screw - BHCS, #8 - 32 X 3/8 Hs
15	4	01122106000	Screw - BHCS, #8 - 32 X 1.0
16	2	01101777000	Screw - BHCS, 1/4 - 20 X 1 1/4 Hs
17	4	01115607000	Screw - RHMS, #4 - 40 X 3/4 Phl
18	4	01122109000	Nut - Keps, #4 - 40 Cd/Zn
19	4	8-03642A	Catch - Magnetic, Medium
20	5	01122122000	Washer - Nylon, .375od X .171id
21	2	01101609000	Nut - Stop, 1/4 - 20 Unc - 2b Cad
22	2	01122110000	Washer - Spring, .27 Id X .5
23	1	00083327000	**Support - Receptacle(alum/Extr
24	5	01122107000	Washer - Flat, Nylon
25	2	01122108000	Washer - Flat, Nylon
26	2	01107381000	Washer - Flat, 1/4 Obs02j0703a
27	0.04	00985268000	Seal - Strip, 1/16 X 1/4
28	1	00083113000	Cable Ass'y - Head

Wheel Clamp Version I

EAA0256J35A



Wheel Clamp

<u>Ref</u>	<u>Qty</u>	<u>Part Number</u>	<u>Description</u>
1	1	EAC0055J94A	Knob - Wheel Clamp
2	1	1-19252A	Pin - Roll, .156 X 1 ESNA
3	1	EAC0055J19A	Screw - Clamp, Long
4	2	EAM0007J03A	Bar - Tightening, Plated
5	4	EAA0256J07A	Spring - Wheel Clamp, Plated
6	1	EAC0055J06A	Bracket - Clamp, Upper (Machined)
7	1	EAS2022J11A	Cover Plate
8	4	1-23906A	Screw - PHMS, M3.5x8mm
9	2	EAC0055J36A	Knob - Screw Thumb Rod
10	1	1-24106A	Screw - PHMS - M3 X 5mm
11	2	EAM0007J11A	Rod - Wheel Clamp
12	1	EAC0055J07A	Bracket - Center, Sliding (Mch)
13	1	1-18052A	Roll Pin - 2.5 X 18mm
14	1	EAC0055J46A	Knob - Shaft Clamp
15	2	1-24006A	Screw - PHMS, M5 X .8m X 8mm
16	2	EAS2022J43A	Spring - Friction, Hub
17	2	EAM0007J20A	Pin - Friction
18	1	EAC0055J08A	Bracket - Clamp, Lower (Mch)
19	2	1-47910A	Screw - HSHS, M8 X 1.25m X 12mm
20	3	8-07716A	Grommet - Rubber, Z1046
21	1	1-16981A	Level Vial - P/N 0150
22	1	2-03732A	Flange - Mtg, Vial
23	3	EAM0016J93A	Retainer Assy - Rim Claw Ext.
24	2	EAM0007J39A	Retainer - Friction Ring
25	2	8-1314	O'ring - 5 - 8 X 34 As - 568a - 0
26	1	1-11833	Nut - M8 - 1.25 Din 934
27	3	EAM0007J01A	Rim Claw Universal
28	3	EAM0016J89A	Claw - Clearanced

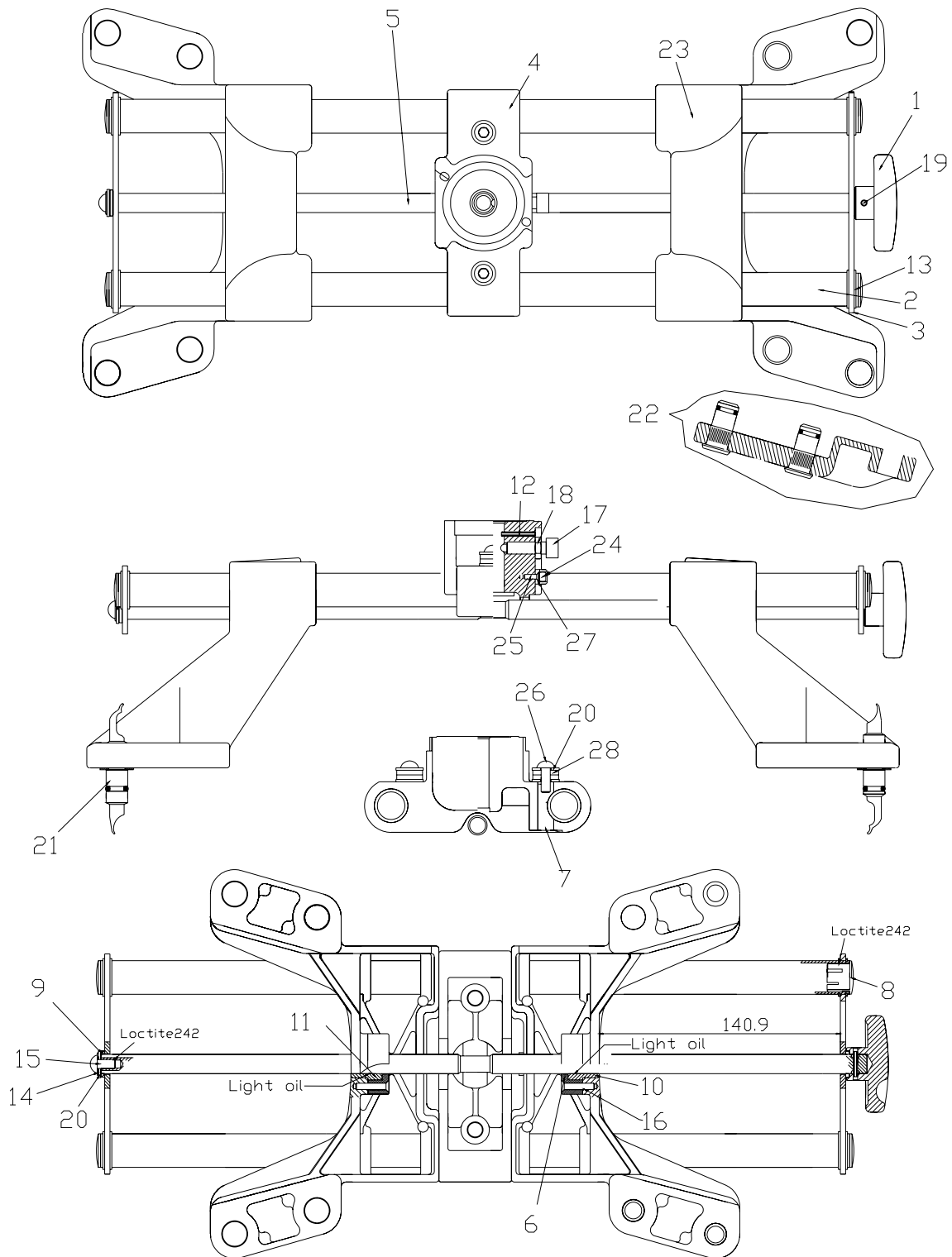
EAC0055J57A - Pair of Wheel Clamps and Contents

2	EAA0256J35A	Wheel Clamp Assy
2	EAK0222J79A	Kit, Claw - Clearanced, CCD
2	EAM0007J17A	Rod - Extension, Whl Clmp, 22" Cap
3	EAM0016J89A	Claw - Clearanced, CCD Clamp
3	EAM0007J01A	Rim Claw Universal
2	1-08584A	Cord - Bungee, Blk. 16"
1	TEAC0055J57A	Maint Instr - Wheel Clamp

Wheel Clamp Version II

EAC0079J47A Long Version

EAC0079J73A Short Version



Wheel Clamp Version II

EAC0079J47A Long Version

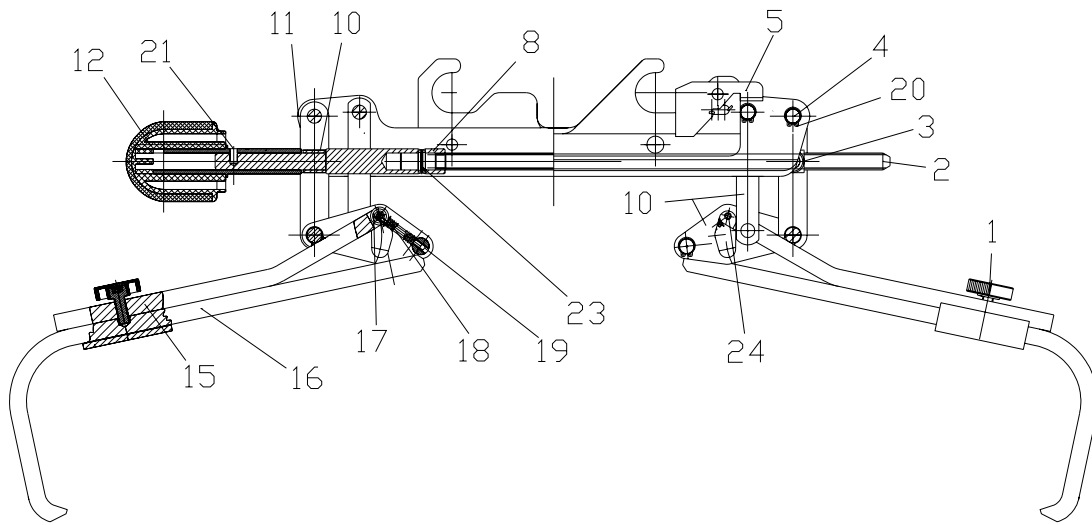
EAC0079J73A Short Version

<u>Ref</u>	<u>Qty</u>	<u>Part Number</u>	<u>Description</u>
1	1	EAM0044J13A	Knob Wheel Clamp
2	2	EAM0044J14A	Tube - Wheel Clamp (long 464mm)
	2	EAM0044J64A	Tube - Wheel Clamp (short 407.6mm)
3	2	EAS2084J29A	Retainer Plate
4	1	EAC0079J53A	Center Bracket
5	1	EAM0044J16A	Double lead screw (long 474mm)
	1	EAM0044J65A	Double lead screw (short 417mm)
6	2	EAC0079J50A	Cover Feed Screw Lock
7	2	EAM0044J22A	Pin Tube Lock
8	4	EAC0079J51A	Plastic Plug 19.0mm
9	2	EAC0079J52A	Thrust Washer
10	1	EAM0044J20A	Threaded bushing LH
11	1	EAM0044J24A	Threaded bushing RH
12	1	1-20652	Pin Spring M3 X 20
13	8	1-17677A	Retaining Ring
14	1	1-3347	Lockwasher M6
15	3	1-50309A	Screw M6 X 10mm
16	4	1-26506A	Screw PH Counter
17	1	EAM0044J47A	screw SHCS M8 X 30
18	1	1-20733A	Hex Nut
19	1	1-20652	Pin Spring M3 X 20mm
20	3	1-14144A	Washer M6 X 18
21	4	EAM0044J19A	Grabber Assembly
	1	EAM0044J18A	Grabber Dual End
	2	8-10214A	O-Ring 3.1mm X 7.8
	1	1-17577A	Retaining Ring E Style
22	4	EAM0044J12A	W/Clamp Extension Assy' (Optional)
	1	EAC0079J46A	Extension Casting
	2	EAM0044J11A	Pin - Extension
	2	8-10214A	O-Ring 3.1mm X 7.8
23	2	EAC0079J48A	Bracket Long
24	1	1-16981A	Level Vial
25	1	1-33206A	Screw M3 X 8
26	2	1-50509A	Screw BHCS M6 X 16mm
27	1	2-03732	Vial Flange
28	4	EAM0044J46A	Grommet

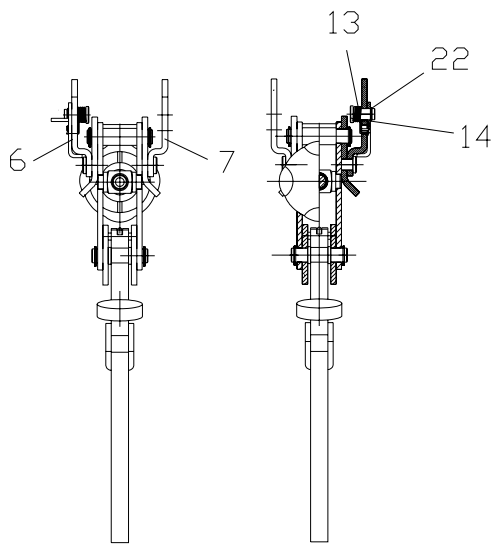
KITS

EAK0268J51A	O-Ring kit (32 o-rings)
EAK0268J41A	Grabber kit (4 grabbers)
EAK0268J40A	Extension kit (4 extensions)
EAK0268J73A	Kit – Spoiler Adaptor – Std.
1-37410	Screw – Set M3 x .5 x 10mm, Cup Point
EAA0333J03A	Spoiler Asm. Adaptor, Standard
EAM0044J58A	Spoiler – Adaptor, Wheel Clamp
EAM0044J59A	Shaft – Spoiler, Adaptor Std.

Quick Clamp



24	1-20652A	Spring Pin 3X20
23	1-5752	Spring Pin 4X12
22	1-18077A	Retaining Ring 6mm
21	1-7410	Screw M4*8
20	1-17977A	Retaining Ring 8mm
19	EAM0047J47A	Pin-SpringGuide
18	EAM0047J46A	Spring-Compression
17	EAM0047J45A	Hook-Eye
16	EAM0047J34A	Bar-Tire Hook
15	EAM0047J44A	Bar-PivotWeldment
14	EAM0047J43A	Pin-Spring
13	EAM0047J74A	Spring-Torsion,
12	EAC0079J93A	Knob - Spacer Assy
11	EAS2084J71A	Link-Wide
10	EAM0047J40A	Knuckle-Coupling
9	EAA0333J43A	Link - Narrow Assy
8	EAM0047J39A	Coupling-Lead
7	EAS2084J76A	Plate - Assy Mt Bottom
6	EAS2084J75A	Plate Assy Mount Top
5	EAS2084J53A	Latch-Quick Clamp
4	EAM0047J37A	Pin-FourBarPivot
3	EAM0047J36A	Nut-Quick Clamp
2	EAM0047J35A	Screw-Quick Clamp
1	EAC0079J91A	Knob-Hook Adjust
ITEM	Part.No	Description

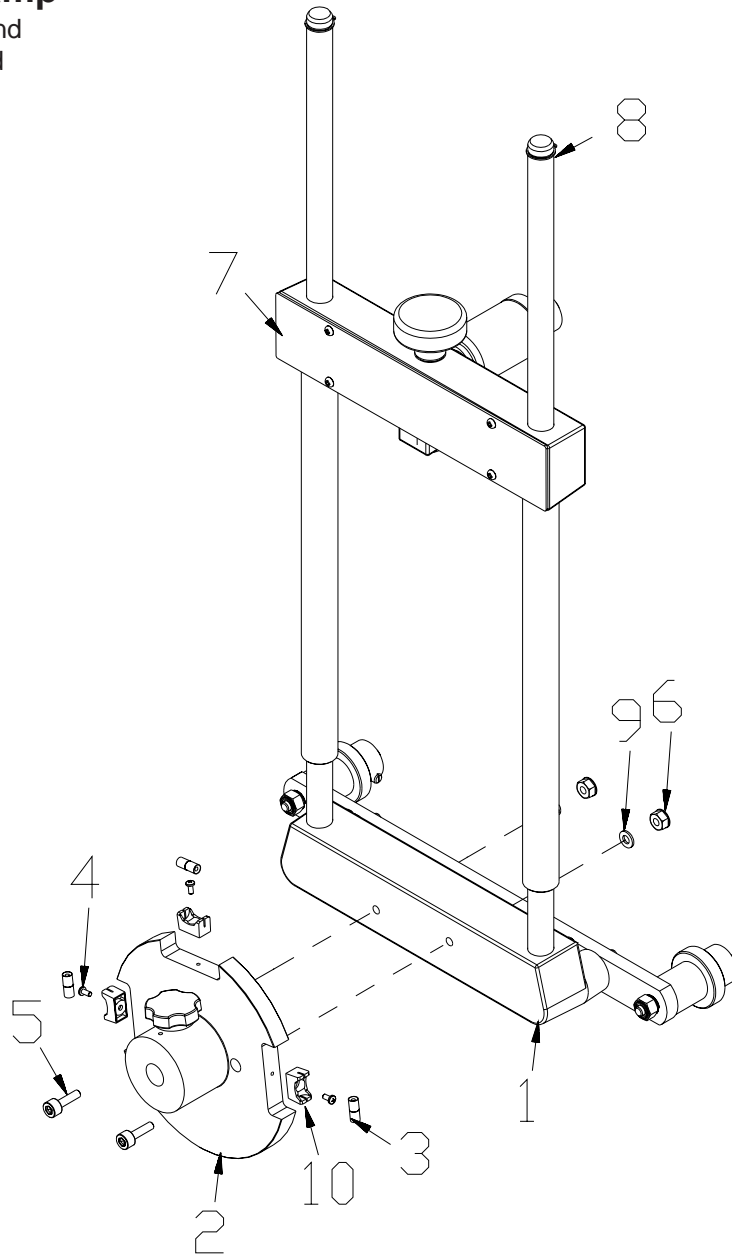


- EAC0079J90A Quick Clamp
- EAK0268J63A Quick Clamp Kit (4 clamps)
- EAK0268J95A Tip Kit - Inside Mount (20 of EAC0079J57A)
- EAK0268J96A Tip Kit - Outside Mt. (20 of EAC0079J58A)
- EAK0268J97A Tip Kit - Outside Mt VW (20 of EAC0079J82A)

Truck Wheel Clamp

EAM0016J38A - Right Hand

EAM0016J79A - Left Hand

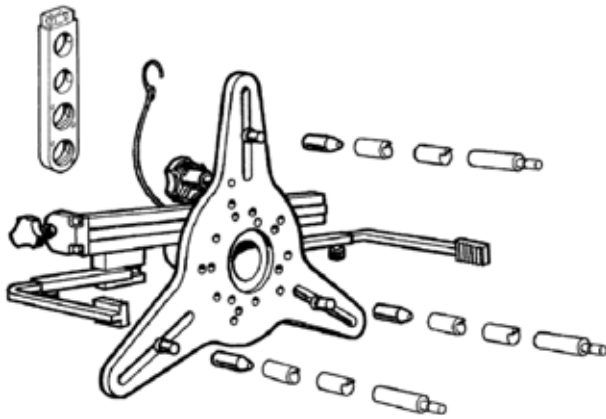


<u>Ref</u>	<u>Qty</u>	<u>Part Number</u>	<u>Description</u>
1	1	EAM0016J33A	Clamp Assy - Lwr Brkts & Rods, RH
		EAM0016J78A	Clamp Assy - Lwr Brkts & Rods, LH
2	1	EAM0016J16A	Disc Assy - Index
3	3	1-16981A	Level Vial
4	3	1-1906	Screw - 4 - 40 X 1/4 PHMS - ZN
5	2	1-46209A	Screw - SHCS, #10 - 24 X 3/4 Nc - 3a
6	2	1-7733	Nut & Lk Washer Assy #10 - 24
7	1	EAM0016J42A	Locking Assy - Wheel Clamp, Trk
8	2	1-13977A	Ring - Retaining, .625
9	2	1-18441A	Washer - Flat, #10 1/2od X 7/32i
10	3	2-03732A	Flange - Mtg, Vial

Miscellaneous Parts

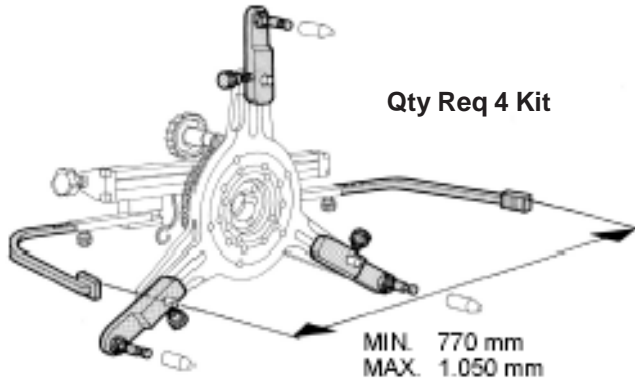
<u>Qty</u>	<u>Part Number</u>	<u>Description</u>
1	00088620000	Wheel Chock -Inner
1	00088621000	Wheel Chock- Outer
1	00000096000	Depressor Ass'y - Pedal
1	00055502000	Clamp Ass'y - Wheel, Steering
1	00088690000	Remote Control, V97
2	01122063000	Battery - AA, 1.5V Alkalyne
4	EAK0222J30A	Alloy Universal Camera Wheel Clamp
1	EAK0222J17A	Voice Align Kit
	• 2-29466A	Headset Base / Belt Pk Dom
	• 2-29666A	Headset Assy - Voice Control
	• 2-29466A01	Switch Accessory
	• 5-10426A1	Tape - Hook Velcro, #88
	• 5-10426A2	Tape - Loop Velcro, #1000
	• TEAK0222J17A0	Installation Instr - Headset
	• 00089209000	Cord - Power, Adapter, 12"
1	00088690000	Remote Control
1	00086796000	Mouse
1	EAL0343J25A	Mouse Pad
1	00088927000	Label-elec/Serial,Desktop
1	00089226000	Software - Mitchell Undercar
1	00089565000	Software Ass'y - JBC Prem W/Ns
1	EAK0256J23A	Software Kit - Windows XP
1	01122651000	Label - caution,Electrical Shock
1	3-00128	Software - Norton Utilities
1	00089518000	Label-shut Down, Windows
1	00000331000	Convex Mirror
1	00064222000	Portable Slip Plate

Femas Clamp



- | | | |
|----------|--------------------|--|
| 1 | EAK0222J29A | Wheel Clamp Alloy Kit (Includes 4 clamps) |
| 4 | EAA0256J62A | Wheel Clamp - Alloy (AR 10" - 21") |
| 1 | EAK0222J26A | Adapter Kit Spoiler (Alloy WC) 2 PCS. |
| 4 | EAK0222J21A | Shoe Kit - Tapered, (Alloy Wc) |
| 4 | EAK0222J22A | Gripper Shoe Kit, Short (Alloy WC) |
| 4 | EAK0222J24A | Gripper Shoe Kit, Shaped (Alloy WC) |
| 4 | EAK0222J25A | Shoe Kit, Extensions (Alloy WC) |
| 4 | EAL0343J27A | Decal, Runout |

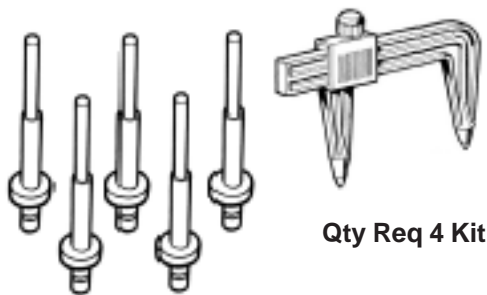
Optional Femas Accessories



EAK0222J27A Extension Adaptor Kit



Qty Req 1 Kit
EAK0222J20A Porsche Adaptors



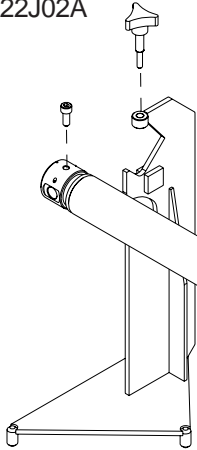
EAK0222J28A Kit, Hub Pins For Mercedes-Benz & BMW



Qty Req 4 Kit
EAK0222J23A Long Gripper

Calibration Equipment

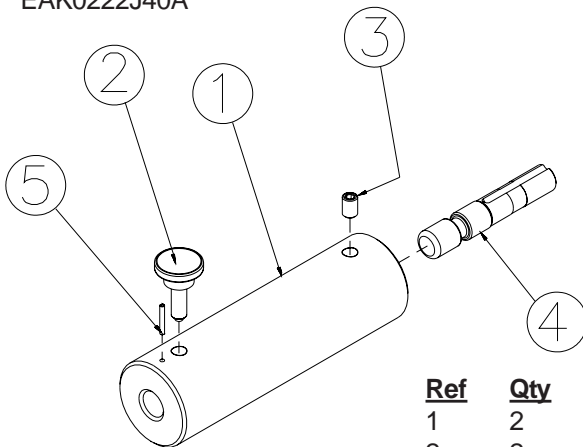
EAK0222J02A



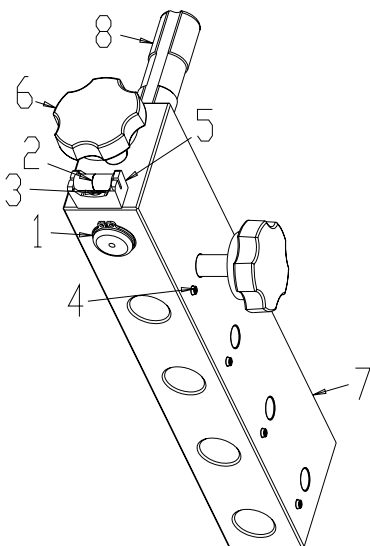
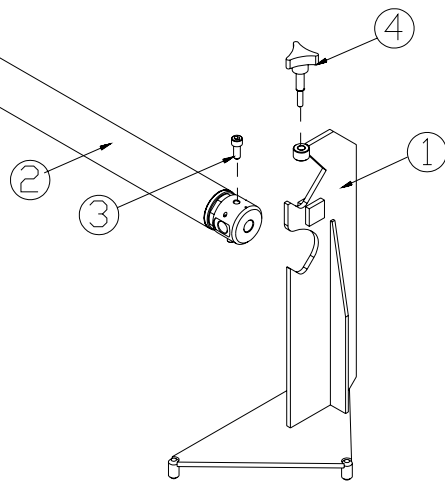
<u>Ref</u>	<u>Qty</u>	<u>Part Number</u>	<u>Description</u>
1	2	EAA0256J17A	Calibration Stand
2	1	EAC0055J11A	Bar Ass'y - Calibration
3	2	EAM0007J19A	Screw - Shaft Clamp
4	2	EAM0007J34A	Knob, Clamp - Calibration Bar

Dual Wheel Adapter

EAK0222J40A



<u>Ref</u>	<u>Qty</u>	<u>Part Number</u>	<u>Description</u>
1	2	EAM0007J45A	Offset Wheel Adapter
2	2	EAC0055J46A	Knob - Shaft Clamp
3	2	1-47910A	Screw - HHSS, M8 X 1.25 X 12mm
4	2	EAM0007J33A	Stub Shaft
5	2	1-18052A	Roll Pin - 2.5 X 18mm



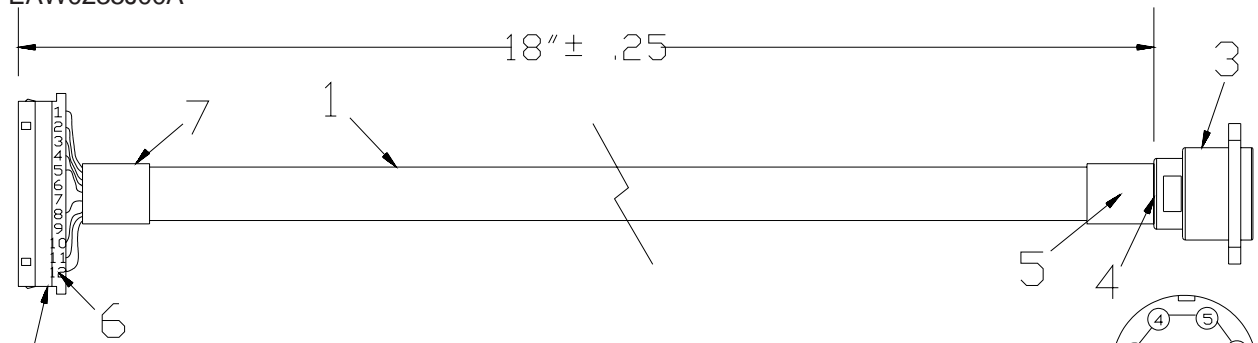
Spoiler Adapter

EAA0333J03A

<u>Ref</u>	<u>Qty</u>	<u>Part Number</u>	<u>Description</u>
1	2	1-13677A	Ring - Retaining
2	1	1-16981A	Level Vial - P/N 0150
3	1	1-33206A	Screw - PHMS M3 X 8 Zn
4	4	1-37410	Screw - Set M3x.5x10mm Cup Point
5	1	2-03732A	Flange - Mtg, Vial
6	2	EAC0055J46A	Knob - Shaft Clamp
7	1	EAM0044J58A	Spoiler Adaptor Wheel Clamp
8	1	EAM0044J59A	Shaft Spoiler Adaptor Std

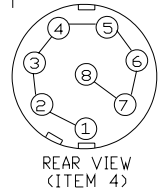
Main Sensor Power Cable

EAW0235J00A



#	COLOR
1	DRAIN
2	RED
3	RED/BLK
4	DRG
5	BLU
6	
7	
8	BLK
9	
10	GRN
11	WHT
12	WHT/BLK

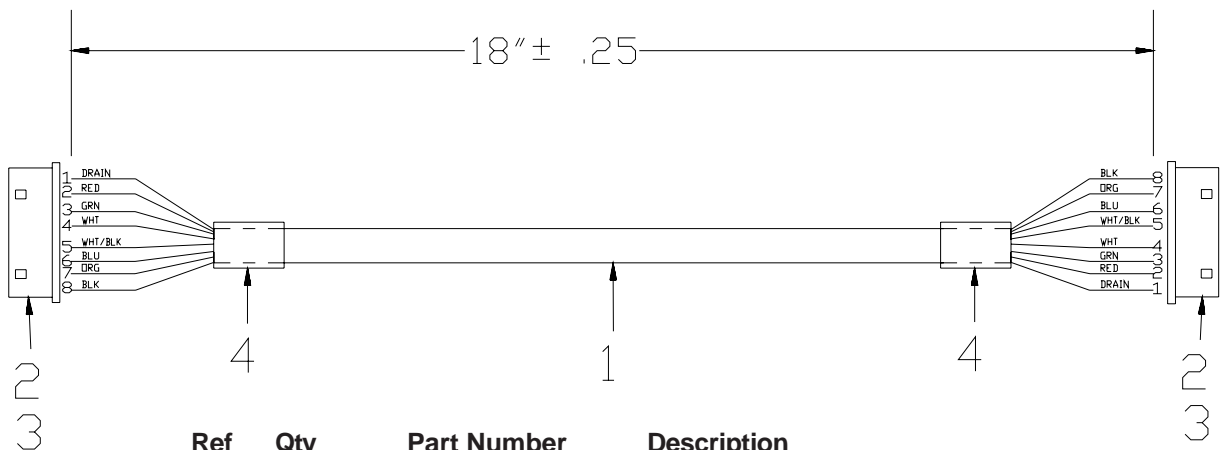
Ref	Qty	Part Number	Description
1	1	6-10520A	Shielded Cable
2	1	2-39448A	Receptacle - Housing 12 Circuit
3	1	2-36548A	Receptacle - Shell
4	1	2-36548A2	Insert - Shell Male
5	8	2-10003A	Contact Pin
6	9	2-28401A	Contact - Terminal
7	2	5-8532	Tubing Heat Shrink



#	COLOR
1	BLK
2	DRG
3	GRN
4	WHT
5	RED
6	BLU
7	WHT/BLK
8	RED/BLK

Tilt Cable

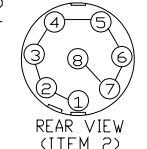
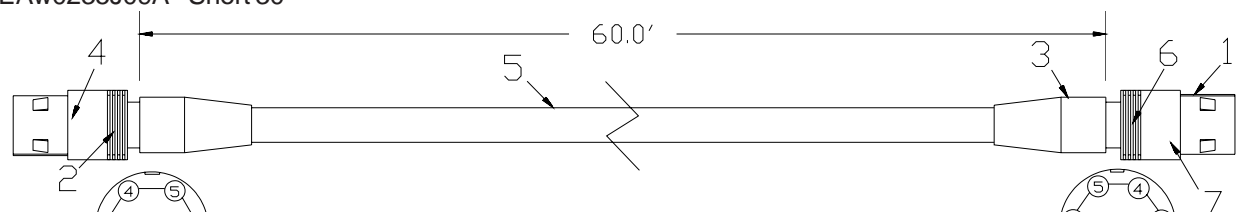
EAW0235J03A



Ref	Qty	Part Number	Description
1	18"	6-10520A4	Cable Shielded 8 Conductor 26AWG
2	2	2-39348A	Receptacle Housing (8 Circuit)
3	16	2-28401A	Contact Terminal
4	2"	5-8532	Heat Shrink Tubing .250"

HIB to Wheel Sensor Cable

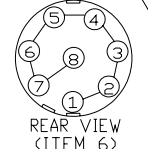
EAW0235J19A - Long 60'
EAW0235J09A - Short 30'



PIN	COLOR
1	BLACK
2	YELLOW
3	DRAIN WIRE
4	NOT USED
5	RED
6	ORANGE
7	NOT USED
8	BROWN

Ref	Qty	Part Number
1	2	2-18247A
2	1	2-39548A2
3	2	2-18247A1
4	6	2-10003A
5	1	6-10420A
6	1	2-39548A1
7	5	2-09903A

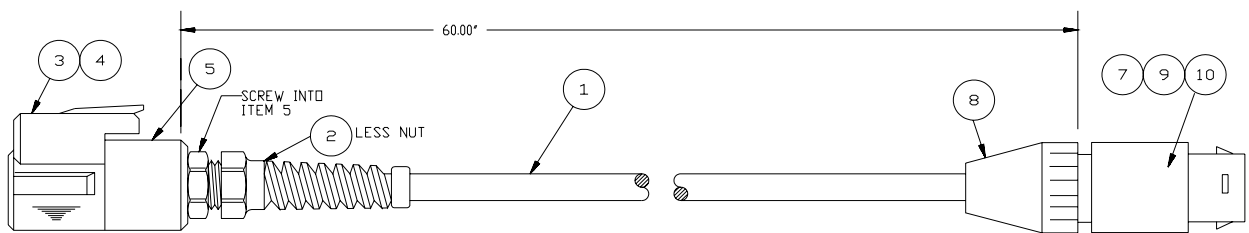
Description
Cable Housing
Insert - Shell Male
Strain Relief - W/Boot
Contact Pin
Shielded Cable
Insert - Shell Female
Contact Socket



PIN	COLOR
1	BLACK
2	YELLOW
3	NOT USED
4	NOT USED
5	RED
6	ORANGE
7	NOT USED
8	BROWN

Electronic TT to Wheel Sensor

EAW0235J33A

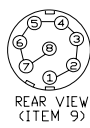


PIN	COLOR
1	BLACK
2	YELLOW
3	GREEN
4	WHITE
5	RED
6	ORANGE
7	N/C
8	N/C
9	N/C
10	VIOLET
11	N/C
12	N/C

Ref	Qty	Part Number
1	60"	6-09720A
2	1	8-07219A
3	1	2-16047A
4	6	2-08403A
5	1	EAM0007J40A
N/S	.06	6-33523
7	1	2-18247A
8	1	2-18247A1
9	1	2-39548A1
10	7	2-09903A
N/S	.04	5-8332

Description
Cable 9 Conductor
Fitting - Flex
Connector - Plug, 12 pin
Contact Socket
Sleeve 12.5 X .75THK, Tapped
Wire - 24 AWG Black
Housing Cable
Strain Relief -W/Boot
Insert - Shell Female
Contact Socket
Tubing - Heat Shrink, 1/8"

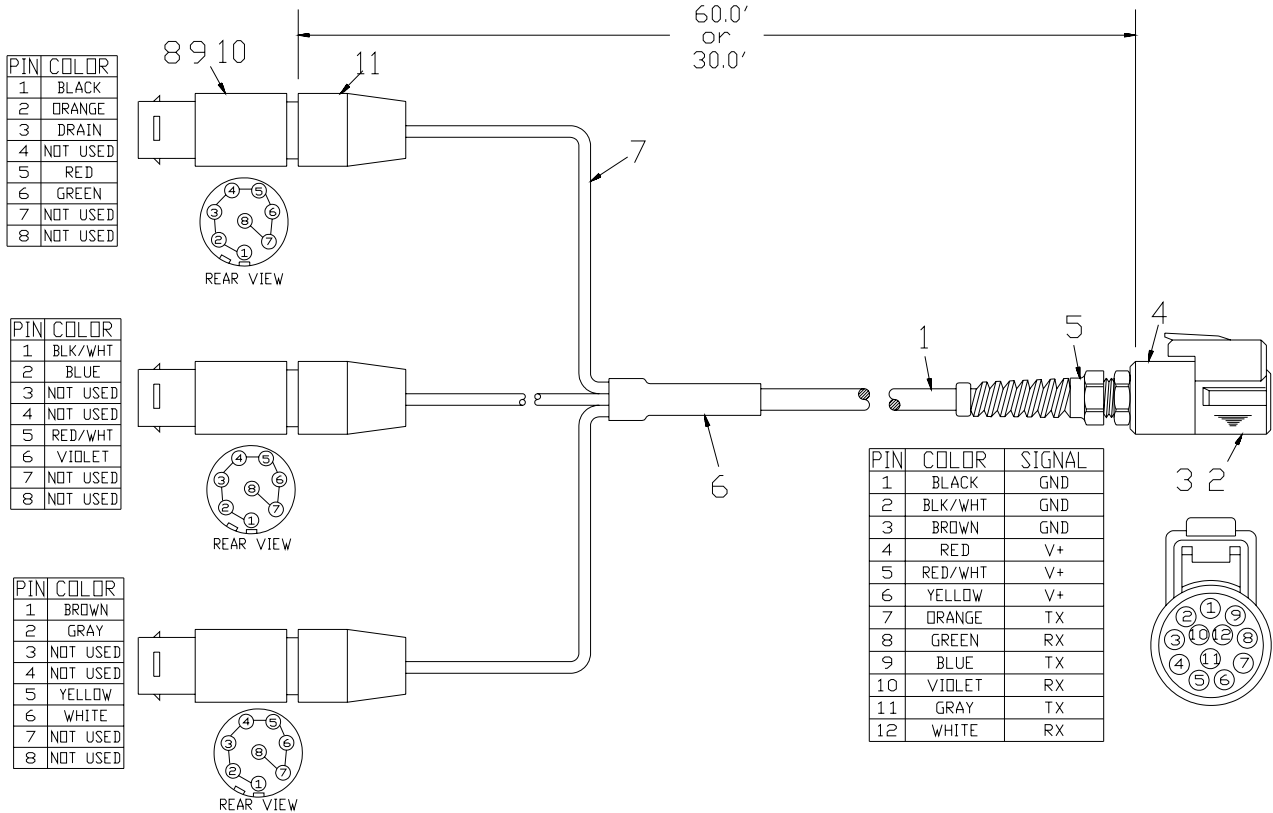
PIN	COLOR	SIGNAL
1	BLACK	GND
2	YELLOW	TX
3	GREEN	PH A
4	WHITE	PH B
5	RED	V+
6	ORANGE	RX
7	VIOLET	VTT
8	BLUE	CHASSIS GND



HIB Box To Junction Box Wired Lift

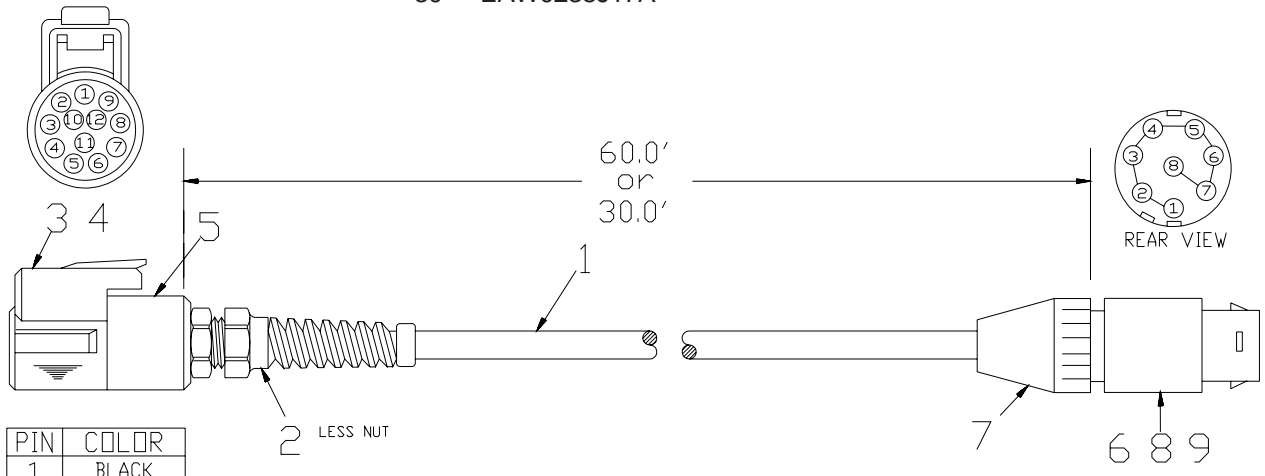
30' EAW0235J15A

60' EAW0235J32A



Ref	Qty	Part Number	Description
1	30'	6-09820A	Cable 12 Conductor, 24 AWG
2	2	2-16047A	Connector Plug, Quick Connect
3	12	2-08403A	Contact Socket
4	1	EAM0007J40A	Sleeve 12.5 X .75THK, Tapped
5	1	8-07219A	Fitting - Flex
6	.25"	5-8632	Tubing Heat Shrink 3/16"
7	1.25"	5-8432	Tubing Heat Shrink 3/8"
8	3	2-18247A	Housing Cable
9	3	2-39548A2	Insert Shell (Male)
10	13	2-10003A	Contact Pin
11	3	2-18247A1	Strain Relief -W/Boot

ETT / Remote To HIB 60' EAW0235J16A
 30' EAW0235J17A



PIN	COLOR
1	BLACK
2	YELLOW
3	N/C
4	N/C
5	RED
6	ORANGE
7	N/C
8	N/C
9	N/C
10	N/C
11	N/C
12	N/C

Ref	Qty	Part Number	Description
1	60'	6-08020A	Cable - 4 Conductor
2	1	8-07219A	Fitting - Flex
3	1	2-16047A	Connector - Plug, 12 pin
4	4	2-08403A	Contact Socket
5	1	EAM0007J40A	Sleeve 12.5 X .75THK, Tapped
6	1	2-18247A	Housing Cable
7	1	2-18247A1	Strain Relief -W/Boot
8	1	2-39548A2	Insert Shell (Male)
9	5	2-10003A	Contact Pin

PIN	COLOR	SIGNAL
1	BLACK	GND
2	YELLOW	TX
3	DRAIN	SHIELD
4	N/C	
5	RED	V+
6	ORANGE	RX
7	N/C	
8	N/C	

Rack Wiring Kit

EAK0222J51A (Short Kit)

EAK0222J82A (Long Kit)

<u>Ref</u>	<u>Qty Req.</u>	<u>Part Number</u>	<u>Description</u>
1	1	EAA0287J19A	Box Assy - Junction, RR External
2	2	EAA0287J32A	Box Assy - Junction, FRT External
3	6	1-02783A24	Duct - Latching, Panduit
4	4	1-02783A12	Duct - Latching, Panduit
5	8	01101849000	Screw - Self Tap, #12 - 24 X 3/8
6	4	EAW0235J33A	Cable Ass'y - Ett To Head
7	2	EAW0235J15A	Cable Ass'y - USB To Junction Bx (Short Kit)
	2	EAW0235J32A	Cable Ass'y - USB To Junction Bx (Long Kit)
8	12	00069735000	Duct - Latching, Panduit Tiedo
9	8	01122202000	Grommet
10	1	00069821000	Carton
11	1	08501540000	Bag - Plastic
12	1	TEAK0222J51A0	Install Instruct - Rack / CCD Algn
13	1	EAA0287J18A	Box Assy - Junction, LR External

EAA0287J18A Box Assy - Junction, LR External

<u>Qty</u>	<u>Part Number</u>	<u>Description</u>
1	00068899000	Box - Junction, Rear
1	EAW0244J54A	Cable Assy - Wired Lift
1	00086767000	PCB Ass'y - Wiring Kit
4	00074292000	Support - PCB
8	01101885000	Screw - Self Tap, #4 - 40 X 3/4
2	00083327000	Support - Receptacle(alum/Extr
2	00985166000	Foam - Adhesive, 1/8 X .38 Rol
1	EAW0244J55A	Cable Assy - Junction Box Extrnl
1	00090757000	Label - Unit Power

EAA0287J19A Box Assy - Junction, RR External

<u>Qty</u>	<u>Part Number</u>	<u>Description</u>
1	00068899000	Box - Junction, Rear
1	EAW0244J54A	Cable Assy - Wired Lift
1	00086767000	PCB Ass'y - Wiring Kit
4	00074292000	Support - PCB
8	01101885000	Screw - Self Tap, #4 - 40 X 3/4
2	00083327000	Support - Receptacle(alum/Extr
2	00985166000	Foam - Adhesive, 1/8 X .38 Rol
1	EAW0244J55A	Cable Assy - Junction Box Extrnl
1	00090757000	Label - Unit Power

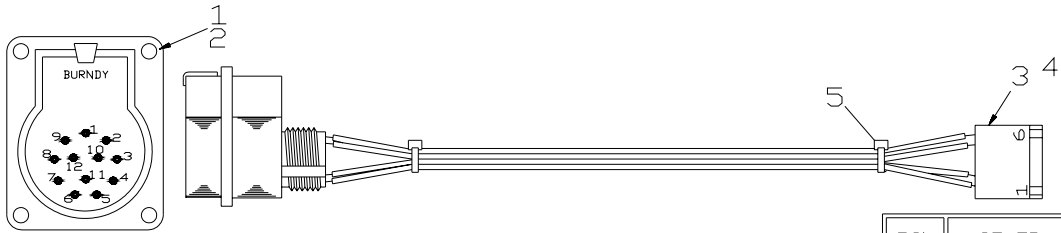
EAA0287J32A Box Assy - Junction, FRT External

<u>Qty</u>	<u>Part Number</u>	<u>Description</u>
1	00068899000	Box - Junction, Rear
2	EAX0043J63A	Cable Assy - Front
8	01101885000	Screw - Self Tap, #4 - 40 X 3/4
2	00083327000	Support - Receptacle(alum/Extr

Cable Assembly Wired Lift

EAW0244J54A

PIN	COLOR
1	BLACK
2	YELLOW
3	UNUSED
4	UNUSED
5	RED
6	ORANGE
7	UNUSED
8	UNUSED
9	UNUSED
10	UNUSED
11	UNUSED
12	UNUSED



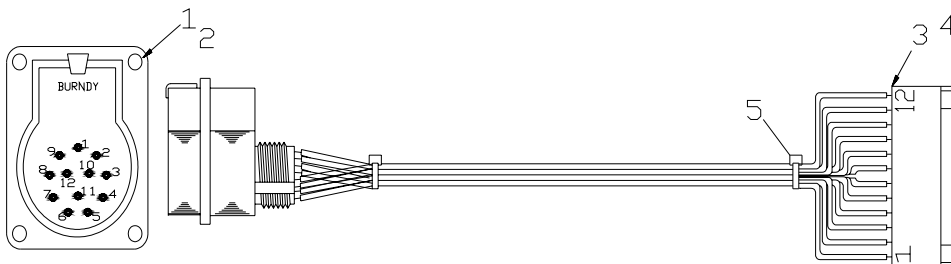
Ref	Qty	Part Number	Description
1	1	00083195000	Connector - 12 Pin
2	4	00070876000	Contact Pin
3	1	00075028000	Connector - Female 6 Pin
4	4	00070558000	Terminal Crimp
5	2	00064383000	Cable Tie

PIN	COLOR
1	BLACK
2	YELLOW
3	N/C
4	N/C
5	RED
6	ORANGE

Cable Assembly Junction Box

EAW0244J55A

PIN	COLOR
1	BLACK
2	BLACK
3	BLACK
4	RED
5	RED
6	RED
7	ORANGE
8	GREEN
9	BLUE
10	VIOLET
11	GRAY
12	WHITE



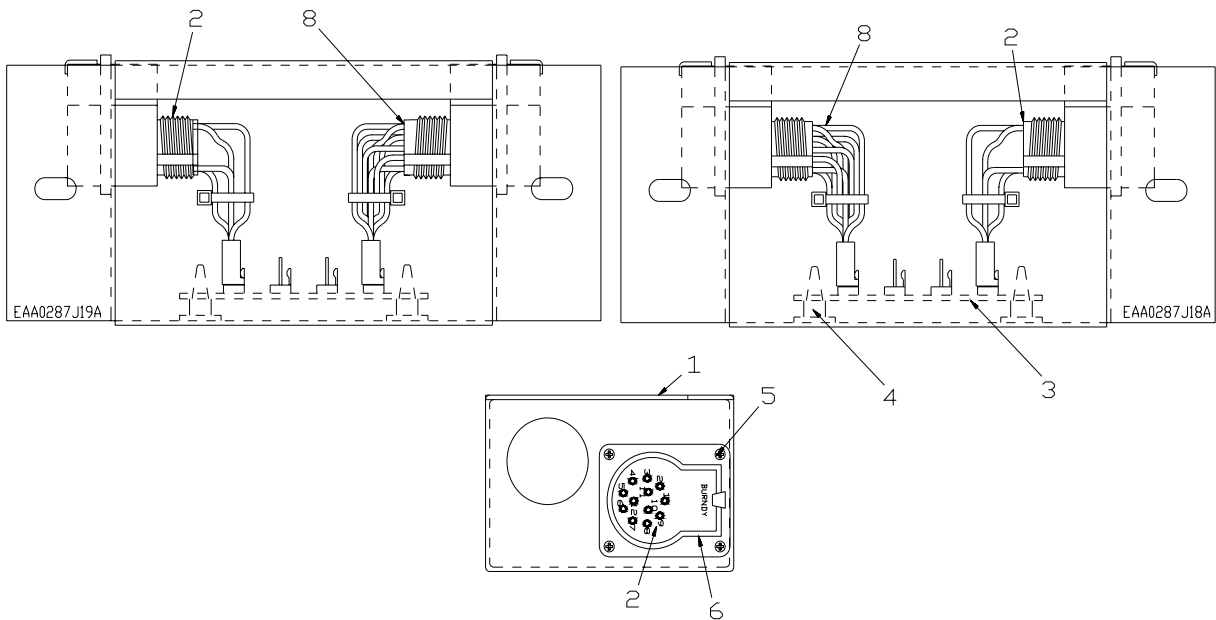
Ref	Qty	Part Number	Description
1	1	00083195000	Connector - 12 Pin
2	12	00070876000	Contact Pin
3	1	00075061000	Connector - Female 12 Pin
4	12	00070558000	Terminal Crimp
5	2	00064383000	Cable Tie

PIN	COLOR
1	BLACK
2	BLACK
3	BLACK
4	RED
5	RED
6	RED
7	ORANGE
8	GREEN
9	BLUE
10	VIOLET
11	GRAY
12	WHITE

Junction Box Assembly

Left Rear - EAA0287J18A

Right Rear - EAA0287J19A



<u>Ref</u>	<u>Qty</u>	<u>Part Number</u>	<u>Description</u>
1	1	00068899000	Box - Junction, Rear
2	1	EAW0244J54A	Cable Assy - Wired Lift
3	1	00086767000	PCB Ass'y - Wiring Kit
4	4	00074292000	Support - PCB
5	8	01101885000	Screw - Self Tap, #4 - 40 X 3/4
6	2	00083327000	Support - Receptacle(alum/Extr
7	2	00985166000	Foam - Adhesive, 1/8 X .38 Rol
8	1	EAW0244J55A	Cable Assy - Junction Box Extrnl
NS	1	00090757000	Label - Unit Power

Additional Rack Wiring Kits

EAK0222J86A KIT - 60' UPGRADE

1	2-37666A	Power Supply - 10v, 40w
2	EAW0235J32A	Cable Assy - USB To Junct. Box (Long, 3 headed)
1	3-29626AD1	Sftwr Assembly - Update Disk,HIB
1	TEAK0222J86A	Instructions - 60' Upgrade Kit

EAK0222J37A Wiring Kit and ETT for CCD aligner: Used for supplying Electronic Turntables and head cables for CCD aligner. Kit consist of 33' turntable to console cables included.

<u>Qty</u>	<u>Part Number</u>	<u>Description</u>
1	82EUR	Set of Electronic Turntables
1	EAK0222J32A	Wiring kit CCD Standard (Short, 33')

EAK0222J38A Wiring kit and ETT for CCD aligner: Used for supplying Electronic Turntables and head cables for CCD aligner. Kit consist of 60' turntable to console cables included.

<u>Qty</u>	<u>Part Number</u>	<u>Description</u>
1	82EUR	Set of Electronic Turntables
1	EAK0222J33A	Wiring kit CCD Standard (Long, 60')

EAK0222J31A CCD head Wiring Kit: Used to update a current external 86815 rack wiring kit to CCD alignment.

<u>Qty</u>	<u>Part Number</u>	<u>Description</u>
2	EAW0235J15A	Cable - Junction Box to HIB
4	EAW0235J33A	Head Cable to Rack

EAK0222J32A CCD Head Short ETT Kit. Used if rack is already equipped with Ellectronic Turntable but NO Wiring Kit. Kit includes 33' turntable to console wires and two head cables.

<u>Qty</u>	<u>Part Number</u>	<u>Description</u>
2	EAW0235J17A	Electronic Turntables to HIB, Short
2	EAW0235J33A	Head Cable to Rack

EAK0222J33A CCD Head Long ETT Kit. Used if rack is already equipped with Ellectronic Turntable but NO Wiring Kit. Kit includes 60' turntable to console wires and two head cables.

<u>Qty</u>	<u>Part Number</u>	<u>Description</u>
2	EAW0235J16A	Electronic Turntables to HIB, Long (3 Headed)
2	EAW0235J33A	Head Cable to Rack

Snap-on ***Equipment***

Notice: The information contained in this document is subject to change without notice. **Snapon** makes no warranty with regard to this material. Snapon shall not be liable for errors contained herein or for incidental consequential damages in connection with furnishings, performance, or use of this material.

This document contains proprietary information which is protected by copyright and patents. All rights are reserved. No part of this document may be photocopied, reproduced, or translated without prior written consent of **Snapon Incorporated**.