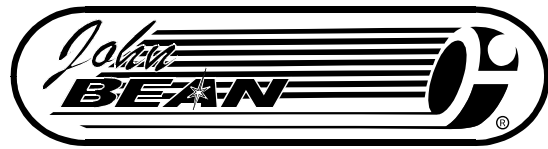


**ARAGO 3™ EEWA533A  
EEWA532A / EEWA531A VISUALINER® V3D**



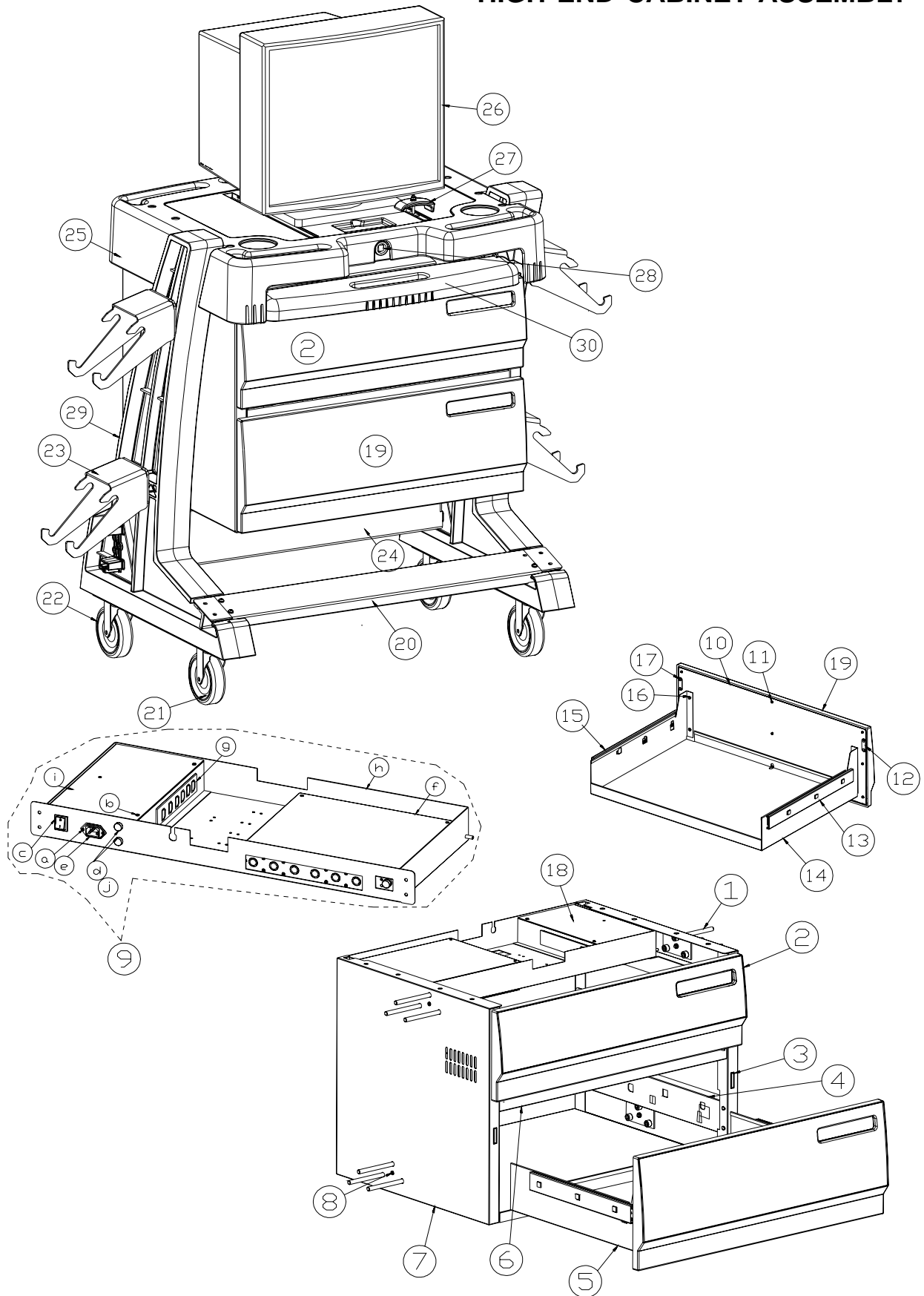
PARTS REFERENCE  
Form 5830-3

**All information contained or disclosed in this document is considered confidential and proprietary by Snap-on Tools Company. All manufacturing, use, reproduction, and sales rights are reserved by Snap-on Tools Company and the information contained herein shall not be used in whole or in part without the express written consent of Snap-on Tools Company.**

# Table of Contents

HIGH END CABINET ASSEMBLY .....	2
LOW END CABINET ASSEMBLY .....	4
MODULAR QUICK CLAMP TROLLEY – EEWH900A .....	6
PC ASSEMBLY .....	7
USB HIB BOX .....	8
REMOTE READOUT .....	10
WHEEL CLAMP AND TARGET .....	12
RIDE HEIGHT MEASUREMENT TOOL .....	14
ROLLBACK KITS .....	16
MISCELLANEOUS PARTS .....	16
OPTIONAL FEMAS ACCESSORIES .....	17
FEMAS CLAMP .....	17
V3D IVS LH CAMERA BEAM .....	18
V3D IVS RH CAMERA BEAM .....	19
V3D IVS STATIONARY COLUMNS .....	20
ARAGO BASE ASSEMBLY .....	22
ARAGO ELECTRICAL ASSEMBLY .....	23
ARAGO LEFT HAND POD .....	24
ARAGO RIGHT HAND POD .....	25
ARAGO POD COMMON .....	26
ARAGO DRIVE MOTOR .....	27
PULLEY & WEIGHT SYSTEM .....	28
RCP CHECK FIXTURE .....	29
CALIBRATION FIXTURE .....	30
LIFT TOWER .....	32
POWER PACK STAND .....	33
POWER PACK ASSEMBLY .....	34
CABLE / HYDRAULIC .....	36
CAMERA HANGING BRACKETS .....	37
HYDRAULIC CYLINDER .....	38
LIFT SLIDE ASSEMBLY .....	40
PARTS IN ALPHABETICAL ORDER .....	41
PARTS IN NUMERICAL ORDER .....	51

# HIGH END CABINET ASSEMBLY

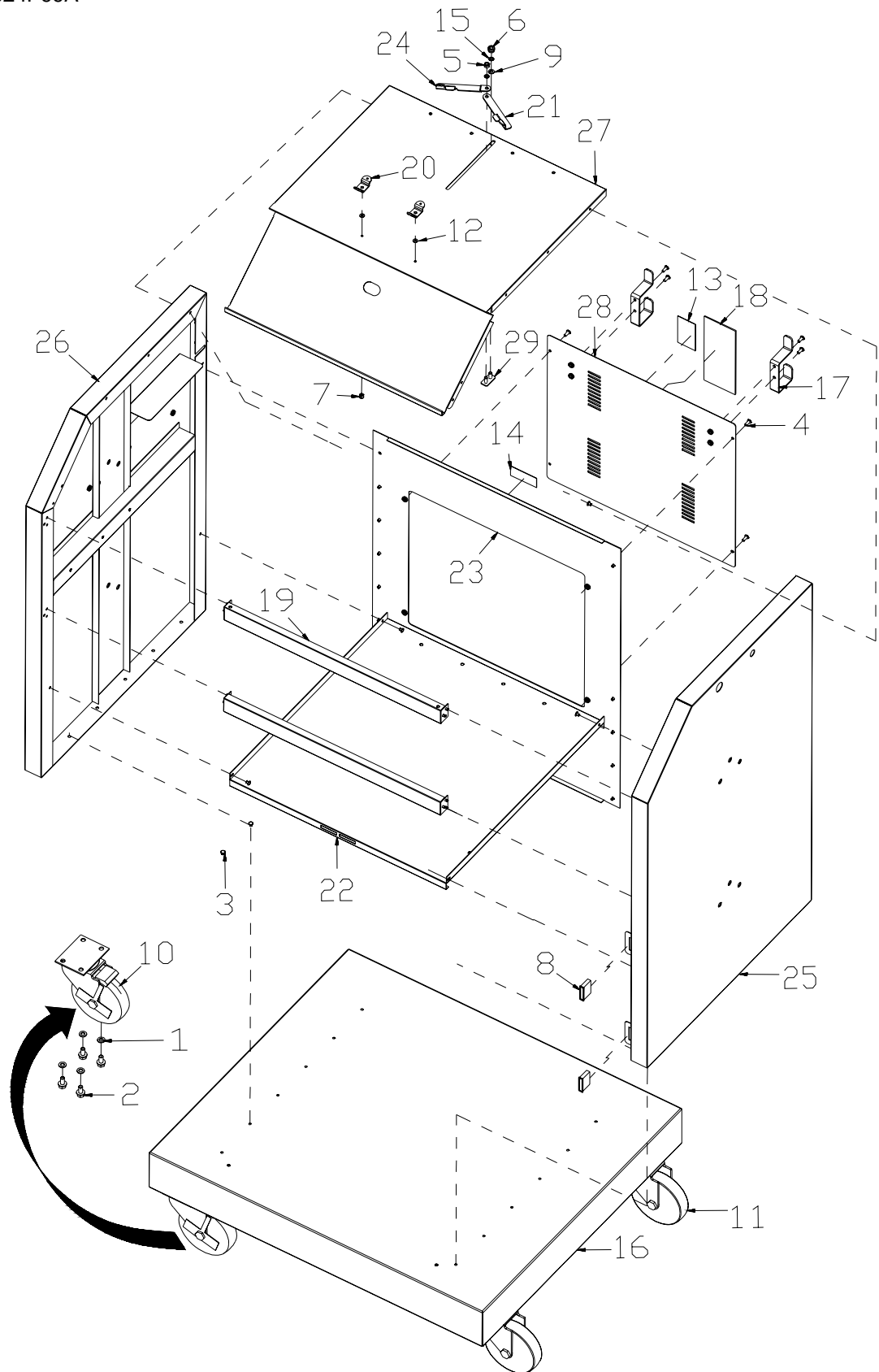


## HIGH END CABINET ASSEMBLY

<u>Ref #</u>	<u>Qty Req.</u>	<u>Part Number</u>	<u>Description</u>
1	4	EAS2022J77A	Bolt Assy
2	1	EAA0287J88A	CPU Door Assy
*	1	8-23536A	Hinge Latching Left
*	1	8-23536B	Hinge Latching Right
3	4	8-03642A	Magnetic Catch
4	1	EAS2024P03A	Rail Drawer Right
	1	EAS2040P08A	Rail Drawer Left
5	1	EAA0287J90A	Printer Drawer Assy
6	1	EAS2040P19A	CPU Tray Assy
7	1	EAS2040P00A	Left Side Panel Assy
	1	EAS2040P01A	Right Side Panel Assy
8	12	1-16006	M5 X 12mm Screw
9	1	EAA0256J57A	USB HIB Shelf Assy
a	2	1-11103	Screw - M3 X 10mm, FHMS,Blk
b	2	1-29906A	Screw - Pan Hd, M4 X 12mm
c	1	2-12258A	Switch - Rocker On/Off Black
d	2	2-15651A	Holder - Fuse
e	1	2-37348A	Receptacle - Cord, Power
f	1	EAA0261P40A	USB HIB Final Assy
g	1	EAA0261P60A	Cable - IEC Power Block Assy
h	1	EAS2040P06A	Shelf Assy - USB HIB
i	1	EAS2040P22A	Cover Assy - Power Inlet
j	2	2-18451A	Fuse - 5A, Slo
10	1	EAS2022J19A	Printer Drawer Back
11	9	1-38909a	M4 X 12mm Socket HD Screw
12	2	EAS2018R78A	Striker Plate
13	1	8-2388AL	Drawer Slide Ball Bearing 17"
14	1	EAS2048J31A	Printer Drawer
15	1	8-2388AR	Drawer Slide Ball Bearing 17"
16	4	1-25806	M6 X 12mm Screw
17	4	1-15258	3.5mm Rivscrew
18	1	EAA0261P60A	IEC Power Block 7 way
*	3	00088635000	Power Cord - 3 Cond IEC - 301
19	1	EAC0055J40A	Front Printer Drawer
20	1	EAS2040P26A	Footrest Assy
	1	EAL0343J26A	Mat Footrest
21	2	8-23139A	Castor - 5" W/ Brake
22	2	8-23239A	Castor - 5" W/O Brake
23	4	EAS2040P15A	Head Bracket - V3D
24	1	EAS2040P27A	Cross Bar Rear Assy
25	1	EAA0256J24A	Desktop Assy
26	1	3-00908	Monitor Multimedia, 19"
*	1	3-00908A01	Base for 19" Monitor
*	1	00088276000	Monitor Multimedia, 17"
27	2	EAM0007J35A	Clampdog - Monitor
28	1	EAA0256J28A	Receiver Assy remote
*	1	EAA0272J20A	Receiver only
*	1	EAL0343J22A	Window-remote
*	1	EAS2040P14A	Remote Bracket Assy
29	2	EAC0055J38A	Support Side Cabinet
*	2	EAS2040P20A	Hanger Braket (Cable)
*	1	EAS2040P24A	PC Back Cover Assy
*	2	EAS2022J25A	Caster Bracket Assy
30	1	EAC0055J47A	Keyboard Tray

# LOW END CABINET ASSEMBLY

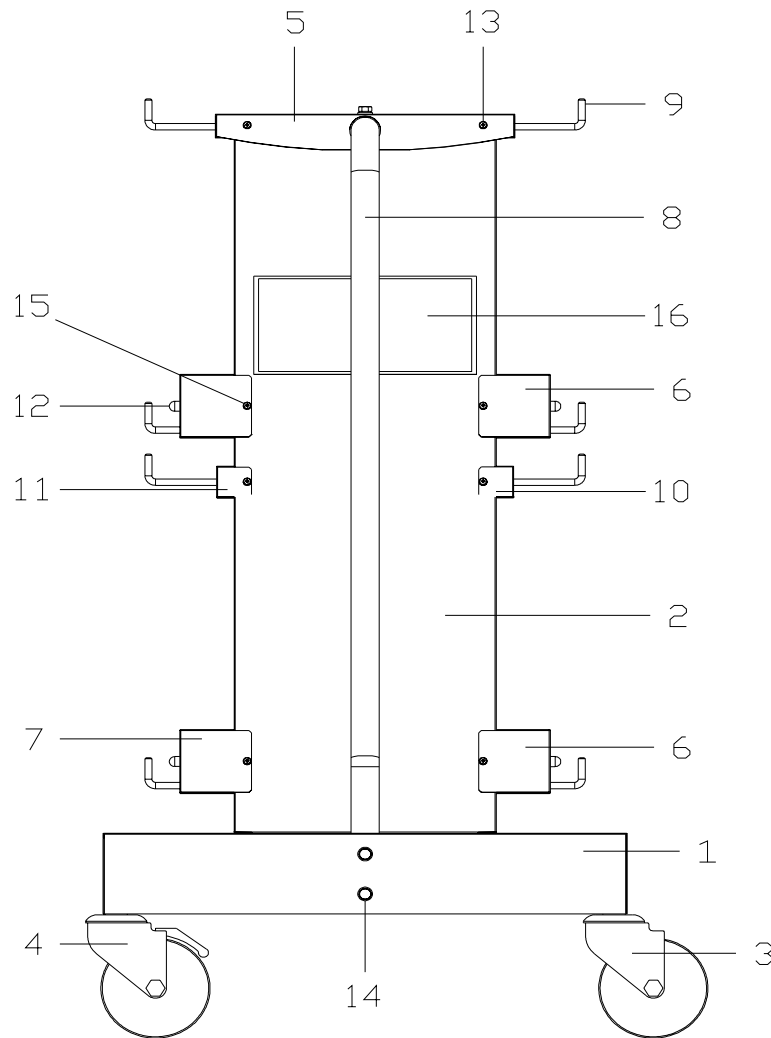
EAS2024P99A



## LOW END CABINET ASSEMBLY

<u>Ref #</u>	<u>Qty Req.</u>	<u>Part Number</u>	<u>Description</u>
1	16	1-446	Washer - Lock, Split
2	16	1-13501A	Screw - HHCS, M8 X 20mm
3	54	1-15158A	Rivet - 4.8mm Blk
4	4	1-16006A	Screw - M5 X 12mm Pan HD, Blk
5	1	1-01637A	Nut - ESNA, M6 X 1mm
6	1	1-01736A	Nut - Thumb, M6 - 96115a460
7	2	1-01737A	Nut - ESNA, M4
8	2	8-03642A	Catch - Magnetic, Medium
10	2	8-23139A	Caster - Swivel 5" W/Brake
11	2	8-23239A	Caster - Swivel 5"
12	2	1-4044	Washer - Nylon, .38 OD
13	1	00111243000	Label - Warning, Explos.
14	1	00111245000	Label - Caution, Elect
15	2	1-4647	Washer - M5, Int Tooth
16	1	EAA0287J96A	Base Wldmt - SUN/JBC Aligner
17	2	EAS2040P20A	Hanger Bracket
18	1	EAL0343J53A	Label - Warn.patent
19	2	EAS2024P33A	Cross Bar Center Assy
20	2	EAS2048J41A	Bracket - Monitor, Front Asm.
21	1	EAS2048J42A	Bracket - Monitor, Rear RH
22	1	EAS2024P57A	Shelf Assy - PC
23	1	EAS2024P68A	Panel Assy - Back
24	1	EAS2048J44A	Bracket - Monitor, Rear LH
25	1	EAS2024P85A	Panel Assy - Side, RH
26	1	EAS2024P91A	Panel Assy - Side, LH
27	1	EAS2051P50A	Keyboard Shelf Assy
28	1	EAS2057P27A	Access Panel
29	1	EAS2048J47A	Plate - Monitor, Pivot Asm
	2	00088931000	Power Cord/Label Ass'y, 115v
	1	EAL0343J25A	Pad - Mouse, JBC
	1	EAA0256J91A	Camera Beam Assy - Shpmt, IVS
	1	00000096000	Depressor Ass'y - Pedal
	1	00055502000	Clamp Ass'y - Wheel, Steering
	1	00089556000	Rim Clamp/Target Set
	1	EAA0287J93A	Cabinet Assy - Economy V3D
	1	EAS2051P60A	Bracket, Target - LH
	1	EAS2051P61A	Bracket, Target - RH
	1	00088620000	Wheel Chock - Inner
	1	00088621000	Wheel Chock - Outer
	1	00089355000	Inner Pack - Acc'y Kit, V3D
	2	8-04288A	Drawer Slide 14"
	1	8-08733A	Handle - Flush, #P1 - 31
	1	00086164000	Label - Fuse
	1	00086465000	Label - Warning, Shock
	1	EAA0261P55A	USB HIB Shelf Wiring Assy
	1	EAA0287J99A	Cabinet - Aigner, JBC V501 Core
	1	EAL0343J19A	Decal - JBC, Cabinet
	1	EAL0343J76A	Label - Electrical/Serial
	1	EAS2024P53A	Tray - Mouse Mat
	1	EAS2024P56A	Drawer Assy
	1	8-08633A	Handle - Door, #B4 - 50 - 403 - 12
	1	EAL0343J41A	Decal - Visualiner
	1	EAS2024P79A	Door Assy
	2	00088619000	Scuff Guard - V3D

# MODULAR QUICK CLAMP TROLLEY – EEW900A

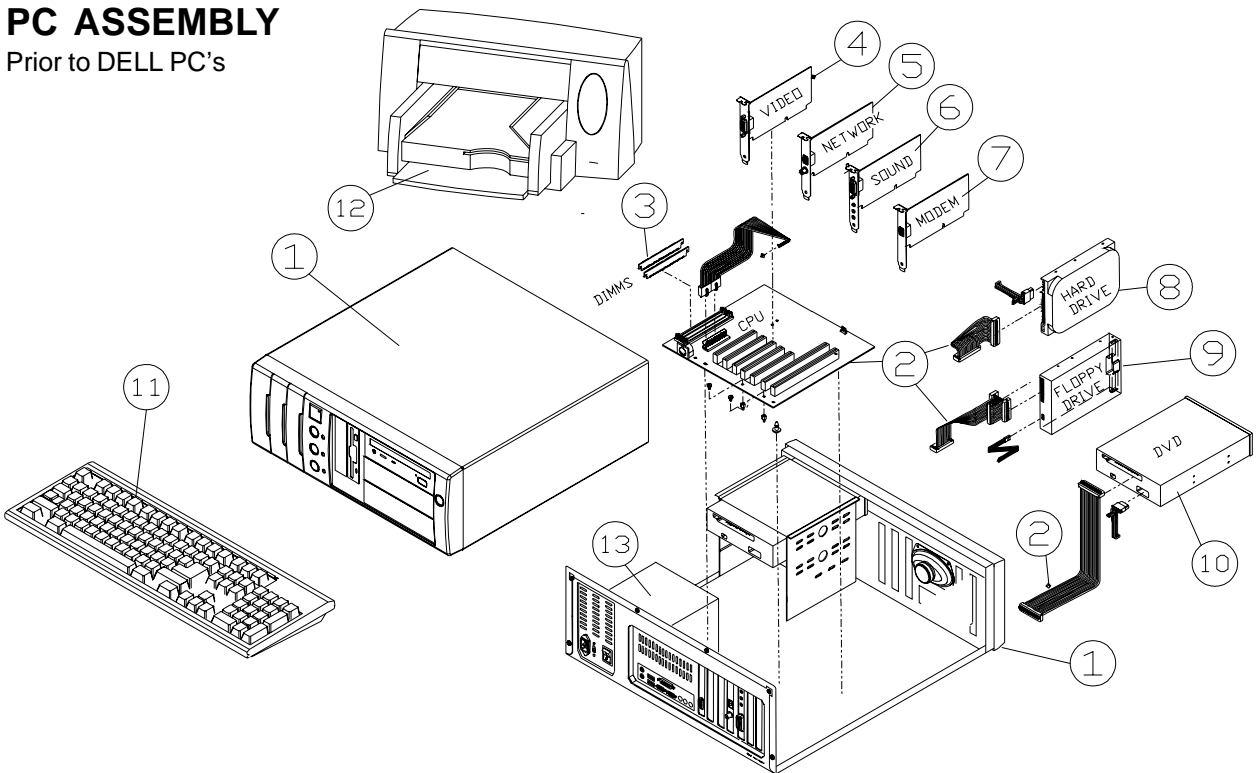


Ref #	Qty Req.	Part Number	Description
1.	1	EAS2040P72A	Base Weldment Trolley Assembly
2.	1	EAS2040P80A	Trolley Upright Weldment
3.	2	8-22039A	Castor Swivel
4.	2	8-22139A	Castor Swivel Braked
5.	1	EAS2040P77A	Trolley Top Plate
6.	2	EAS2040P75A	Trolley Spacer Clamp Offset RHS
7.	2	EAS2040P79A	Trolley Spacer Clamp Offset LHS
8.	1	EAS2040P81A	Caddy Handle Assembly
9.	8	EAS2040P73A	Trolley Hook
10.	1	EAS2040P82A	Trolley Spacer Lower Offset RHS
11.	1	EAS2040P83A	Trolley Spacer Lower Offset LHS
12.	8	8-08616	Grommet Feet
13.	16	1-20106A	Screw, Pan M4 x 10 ST/FT, Black
14.	8	1-15501A	Screw, Hex M8 x 20 ST/FT, Black
15.	8	1-20906A	Screw, Pan M5 x 12 ST/FT
16.	1	EAL0345P45A	Caddy Base Label



# PC ASSEMBLY

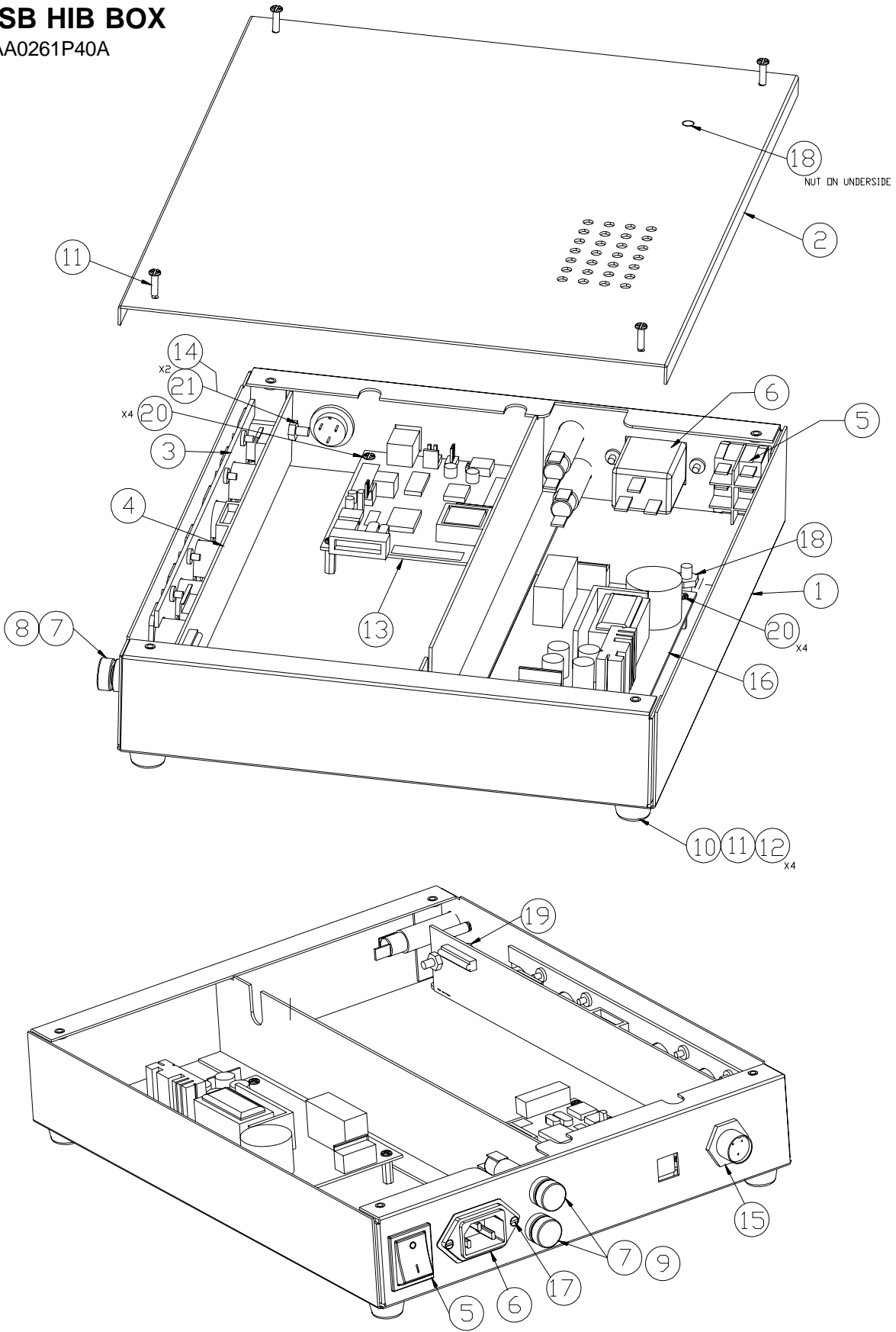
Prior to DELL PC's



Ref #	Qty Req.	Part Number	Description
1	1	EAA0287J81A	PC ASSY-UATX DESKTOP (With DVD)
	1	EAA0287J82A	PC ASSY-UATX DESKTOP (With CD)
2	1	2-34066A	Motherboard - ATX, S370 - Built in Video & Sound
	1	3-62411A	Processor - AMD Duron
	1	2-30166	Motherboard - ATX, S370 Without Video & Sound
	1	3-107816A	Memory - Module - Dimm, 128m, PC133
3	2	3-85316	Memory Module-dimm,64m
4	1	00089487000	Video Card - AGP
5	1	00089291000	Network Card-combo 10 Mbps
6	1	00089693000	Sound Card - PCI
7	1	2-30066	Modem Internal Pci 56k
8	1	00089696000	Hard Drive-premium, 3 1/2 Ide
9	1	00086016000	Drive - Floppy, 1.44mb, 3.5"
10	1	00089715000	Drive Kit - DVD
	1	2-32666A	Drive Kit - CD (EEWA531A)
11	1	0008871700	Keyboard Kit
*	1	00086804000	Label - F Keys
12	1	00089173000	Printer Color
13	1	00089490000	ATX Power Supply
	1	2-04068A	Fan Kit - Celeron Motherboard
1		3-02806A	PC - Dell
1		EAL0343J64A	Label - Caution
1		00088716000	Decal - Keyboard, Function Keys
1		00089168000	Printer - Color, Inkjet
1		00088910000	Paper - Printer, Laser
1		00083055000	Cable - Printer
0.67		5-10426A1	Tape - Hook Velcro, #88
0.67		5-10426A2	Tape - Loop Velcro, #1000
1		00089209000	Cord - Power, Adapter, 12"

# USB HIB BOX

EAA0261P40A



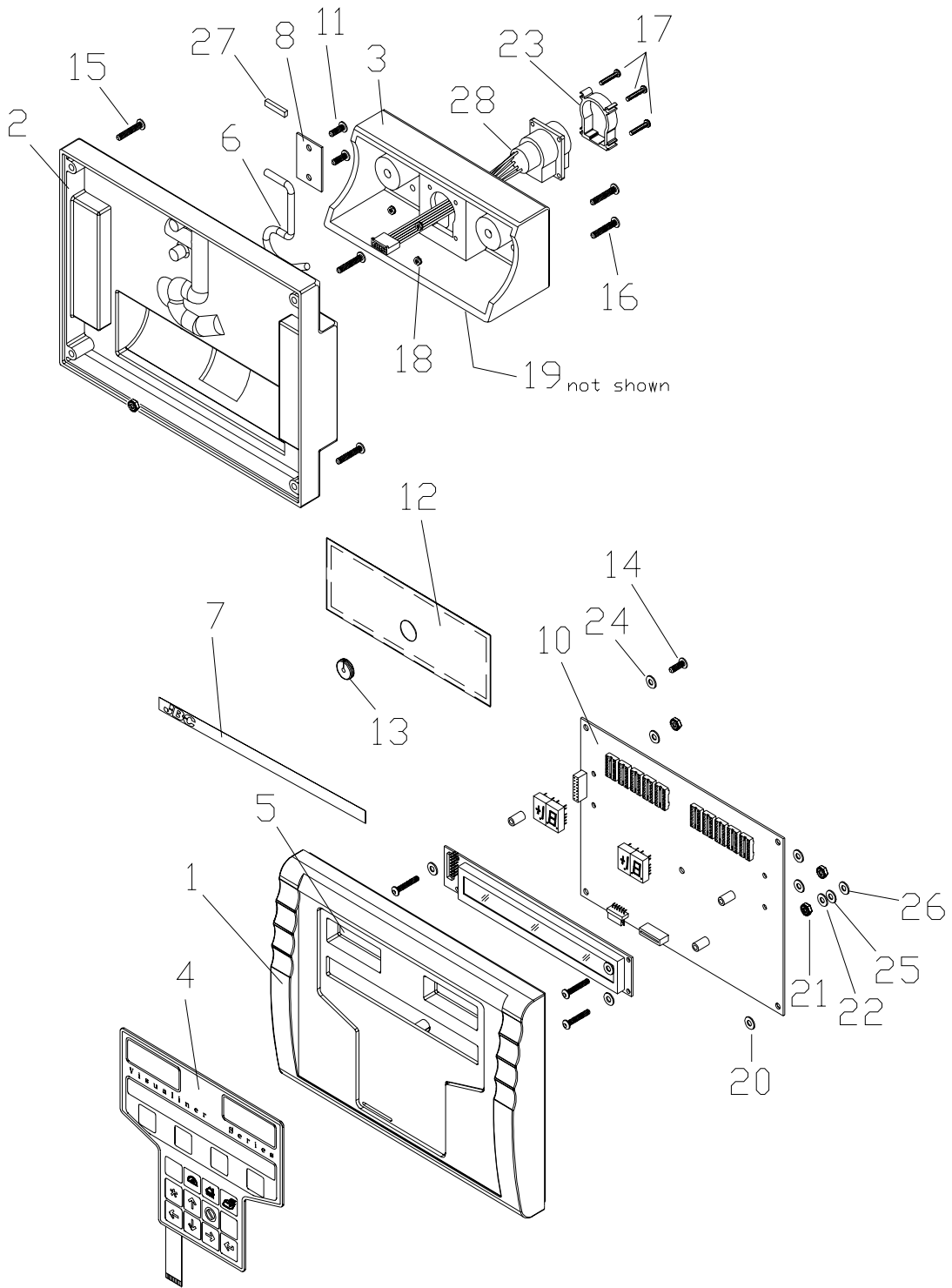
# USB HIB BOX

EAA0261P40A

<u>Ref #</u>	<u>Qty Req.</u>	<u>Part Number</u>	<u>Description</u>
1	1	EAS2024P64A	USB Base Assy'
2	1	EAS2024P66A	Cover Assy
3	1	EAS2024P63A	Connector Bracket Assy
4	1	EAP0216P00A	Interconnect PCB
5	1	2-12258A	Rocker Switch ON/OFF
6	1	2-40248A	IEC Inlet (Filter)
7	3	2-15651A	Fuse Holder
8	1	2-7051	Slow Blow Fuse 3A
9	2	2-7151	Slow Blow Fuse 8A
10	4	8-08018A	Rubber Feet
11	16	1-18206A	M3 x 12 Screw Pan Head
12	4	1-12941	M3 Washer
13	1	EAP0196J80A1	USB HIB PCB Assy
14	4	1-9733	Nut M4
15	1	EAW0243P10A	Remote Cable (Cable leading to HIB PCB)
16	1	2-37666A	Power Supply 10V 40W
17	2	1-11103	Screw Flat Head M3 x 10
18	2	1-9833	Nut M5
19	2	1-5962	Nylon Round Standoff 3/4"
20	8	1-19306A	M3 x 6mm screw
21	2	1-2648	M4 Star Washer
*	1	EAW0243P26A	Link Wire Ground to Ground
*	1	5-845	Tie Wrap
*	2	EAW0243P22A	Link Wire Brown
*	2	EAW0243P23A	Link Wire Blue
*	1	EAW0243P16A	Cable Assy, 6 way to 6 way Power Cable
*	1	EAW0243P20A	Cable Assy, 3 Way Power Cable
*	1	EAW0243P17A	Cable Assy, 16 way to 16 way IDC
*	1	EAW0243P25A	Cable - Link Wire
*	2	1-11341	Washer Plain M4
*	2	1-14106	M4 x 20 Pan Head Screw
	1	EAL0345P52A	Label - Fuse 3a
	2	EAL0345P53A	Label - Fuse 1a
	1	EAL0345P54A	Label - Electrical Warning

# REMOTE READOUT

EAK0222J77A

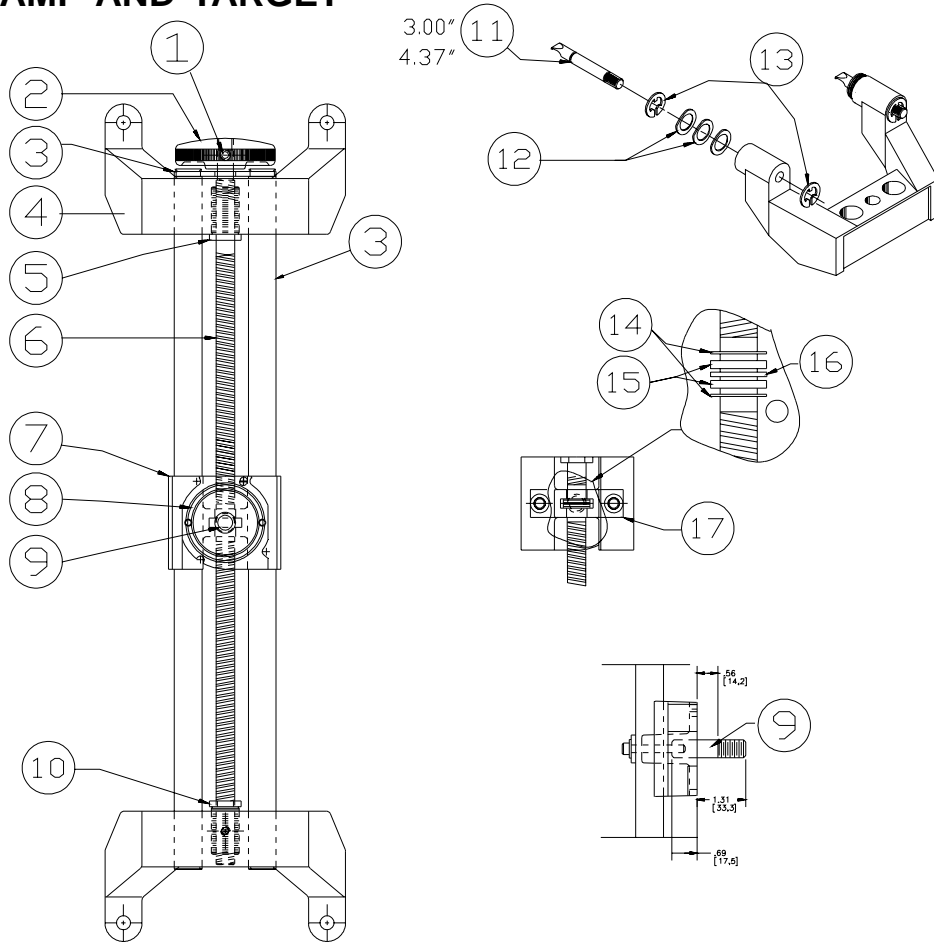


# Remote Readout

EAA0287J61A

<u>Ref #</u>	<u>Qty</u>	<u>Part Number</u>	<u>Description</u>
1	1	EAC0055J92A	Bezel Front Remote Black
2	1	EAC0055J91A	Panel - Rear Remote Black
3	1	EAC0055J90A	Pivot - Base, Black
4	1	EAA0287J60A	Switch - Membrane, Remote Pro32
5	2	00086179000	Window - LED, Remote
6	1	00086180000	Hook - Remote
7	1	00081226000	Decal-JBC,Remote Display
8	1	00086183000	Plate - Cover, Hook
9	2	01101740000	Screw - BHCS, #8 - 32 X 1/4 Hs
10	1	00086185000	PCB Ass'y - Remote
12	1	00086262000	Cover - Seal, Remote
13	1	01122121000	Grommet
14	5	01101554000	Screw - BHCS, #8 - 32 X 3/8 Hs
15	4	01122106000	Screw - BHCS, #8 - 32 X 1.0
16	2	01101777000	Screw - BHCS, 1/4 - 20 X 1 1/4 Hs
17	4	01115607000	Screw - RHMS, #4 - 40 X 3/4 Phl
18	4	01122109000	Nut - Keps, #4 - 40 Cd/Zn
19	4	8-03642A	Catch - Magnetic, Medium
20	5	01122122000	Washer - Nylon, .375od X .171id
21	2	01101609000	Nut - Stop, 1/4 - 20 Unc - 2b Cad
22	2	01122110000	Washer - Spring, .27 Id X .5
23	1	00083327000	**Support - Receptacle(alum/Extr
24	5	01122107000	Washer - Flat, Nylon
25	2	01122108000	Washer - Flat, Nylon
26	2	01107381000	Washer - Flat, 1/4 Obs02j0703a
27	0.04	00985268000	Seal - Strip, 1/16 X 1/4
28	1	00083113000	Cable Ass'y - Head

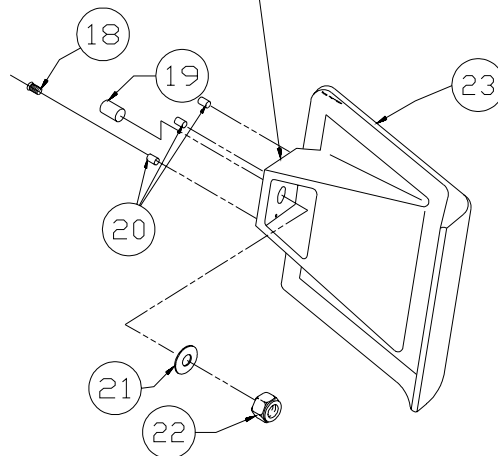
# WHEEL CLAMP AND TARGET



Replacement Part  
Location Series 1  
Wheel Clamp

Set Screw location  
R & L Target

Alternate Location for  
90° rotation (horizontal)  
use of wheel clamp.

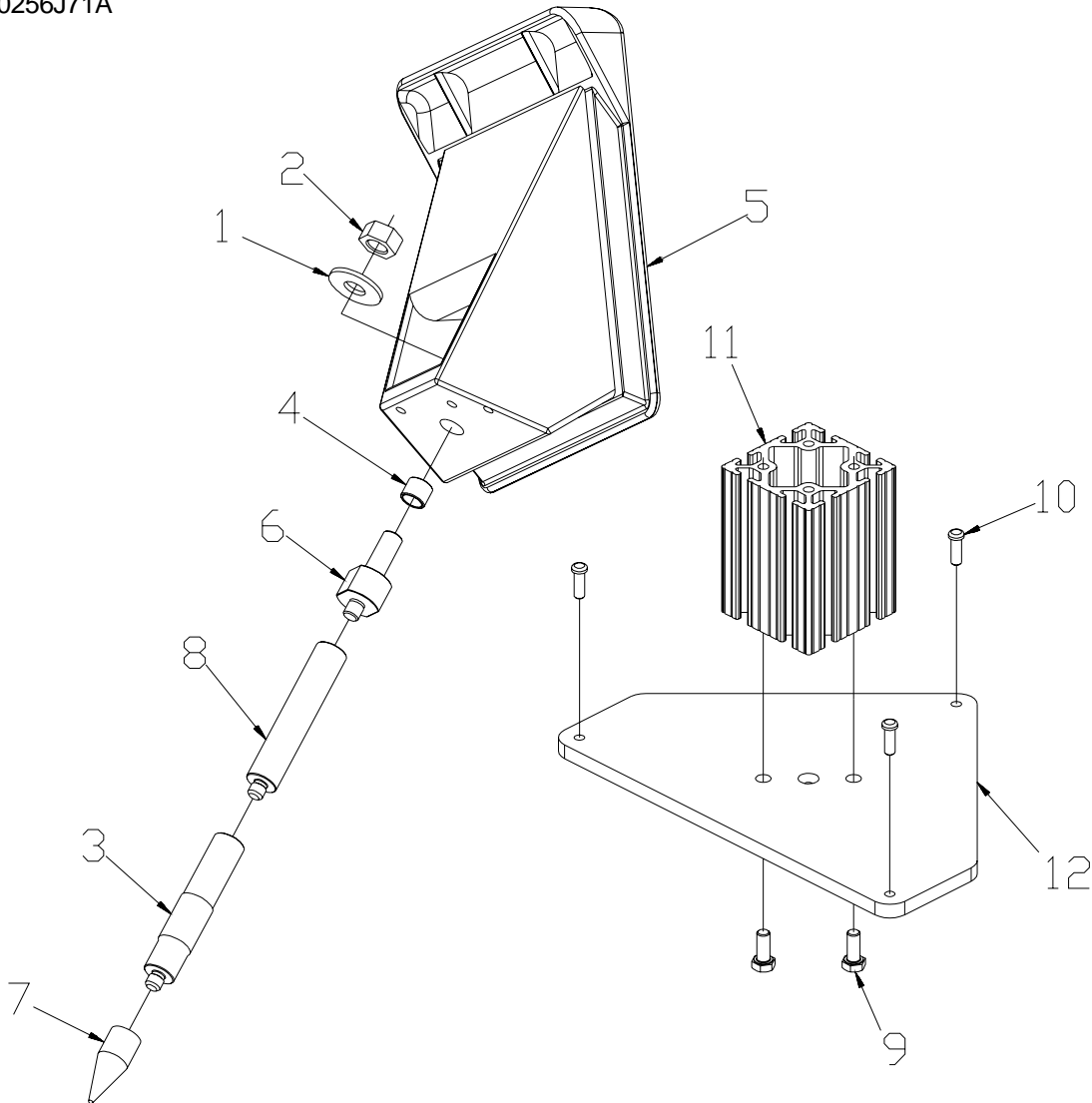


## WHEEL CLAMP AND TARGET

Ref	Qty	Part Number	Description
1	1	1-19252A	Pin - Roll, .156 X 1 ESNA
2	1	EAC0055J94A	Knob - Modified
3	1	00089539000	Tube Ass'y - Rod Retention Plate
4	2	EAC0055J78A	Wheel Clamp - Mach. Casting
5	1	00089410000	Insert - Thread,LH
6	1	00089408000	Screw - Lead,Wheel Clamp
7	1	00089412000	Mount - Spindle, Tube Support
8	1	8-08214A	O - Ring 1 3/4 X 2 1/8 X 3/16dia
9	1	00089413000	Spindle - 2.00I X .50dia
10	1	00089411000	Insert - Thread,RH
11	4	00088797000	Rim Claw - Long,4.37
11	4	00088794000	Rim Claw - Short,3.00
12	8	1-2777	Ring - Retaining
13	12	1-02843A	Washer - Spring, 3/8 Rod / Screw
14	2	1-21041A	Washer - Steel, .745OD X .510ID
15	2	1-02943A	Washer - Thrust,1/16t X 1/2ID X 3/4
16	1	1-14577A	Ring - Snap Rotor Chip Re-50
17	1	00089457000	Plate - Cover, Lead Screw
18	1	1-48610A	Screw - Set, #10-32 X 5/8 Hs Cup
19	1	00089456000	Bearing - Target, Front / Rear
20	2	1-10379A	Insert - Brass 240-332
21	1	1-1041	Washer - Flat,1/2
22	1	1-933	Nut - Hex, 1/2 - 13 UNC - 2B Cad / Zn
23	2	EAA0287J62A	Target Sandwich - Front
	2	EAA0287J63A	Target Sandwich - Rear
*	2	01103184000	Screw - HHCS, 1/4-20 X 1 1/2 PI
*	1	01122642000	Screw - 1/4 - 20 X 1/4 Nylon Tip
*	2	01187612000	Washer - Lock Int / Ext, 1/4 Zn
		00089452000	Rear Rim Clamp Assy'
		00089453000	Front Rim Clamp Assy'
		00089454000	RF Target / Clamp Assy'
		00089455000	RR Target / Clamp Assy'
		00089559000	LF Target / Clamp Assy'
		00089560000	LR Target / Clamp Assy'

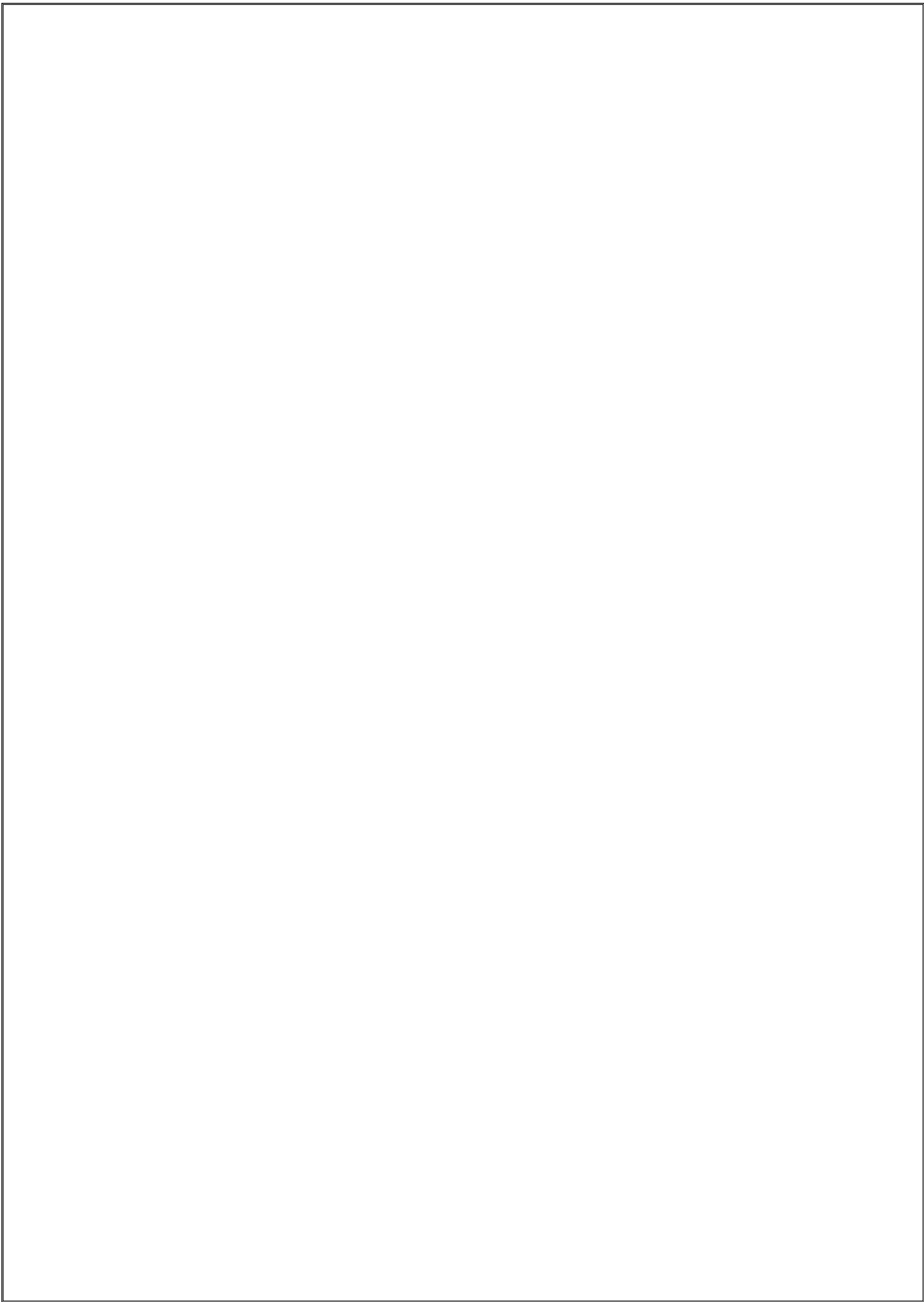
# RIDE HEIGHT MEASUREMENT TOOL

EAK0256J71A



Ref	Qty	Part Number	Description
1-8	1	EAA0305J50A	Measuring Device Ride Height Assy'
1	1	1-1041	Washer - Flat, 1/2
2	1	1-933	Nut - Hex, 1/2 - 13 UNC - 2b Cad/Zn
3	1	5-8932	Heat Shrink - 1" Black
4	1	00089456000	Bearing - Target, Front/Rear
5	1	EAA0305J66A	Target Sandwich, Ride Height
6	1	EAM0023J50A	Adapt. threaded 1/2 - 13x10x1.5
7	1	EAM0023J51A	Tip - Measuring, Threaded
8	2	EAM0023J64A	Rod - Threaded Male/Female
9-12	1	EAA0305J60A	Fixture Calibration Ride Height Assy'
9	2	1-301	Screw - HHMS, 5/16 - 18 X .3/4"
10	3	1-44009A	Screw - BHCS - 1/4 - 20x7/8
11	1	5-00420A	Tower - Extrusion, 3.5"
12	1	EAS2072J32A	Plate - Base, Calibration Fixture





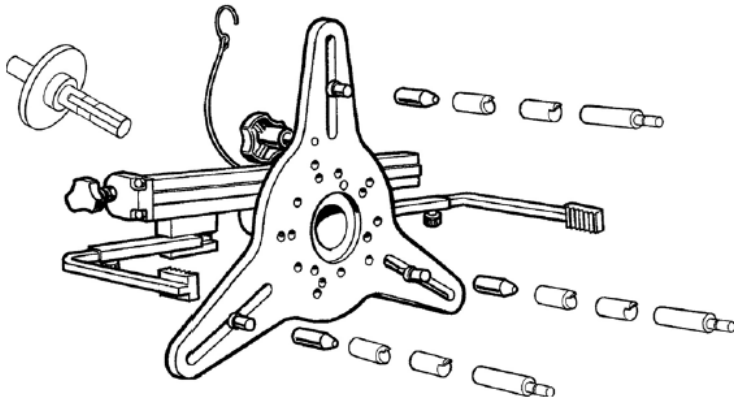
## MISCELLANEOUS PARTS

Qty	Part Number	Description
1	00088620000	Wheel Chock -Inner
1	00088621000	Wheel Chock- Outer
1	00000096000	Depressor Ass'y - Pedal
1	00055502000	Clamp Ass'y - Wheel, Steering
1	00089219000	Literature Pack - V3D <sup>2</sup> ,Pro32
1	00089355000	Inner Pack - Acc'y Kit, V3D
1	00088690000	Remote Control, V97
2	01122063000	Battery - AA, 1.5V Alkalyne
1	EAK0222J03A	Decal Kit - V3D
1	00088634000	Undercar Scooter Adjustment Chair
4	EAK0222J30A	Alloy Universal Camera Wheel Clamp
1	<b>EAK0222J17A</b>	<b>Voice Align Kit</b>
	• 2-29466A	Headset Base / Belt Pk Dom
	• 2-29666A	Headset Assy - Voice Control
	• 2-29466A01	Switch Accessory
	• 5-10426A1	Tape - Hook Velcro, #88
	• 5-10426A2	Tape - Loop Velcro, #1000
	• TEAK0222J17A0	Installation Instr - Headset
	• 00089209000	Cord - Power, Adapter, 12"
1	00088690000	Remote Control
1	00086796000	Mouse
1	EAL0343J25A	Mouse Pad
1	00088927000	Label-elec/Serial,Desktop
1	00089226000	Software - Mitchell Undercar
1	00089565000	Software Ass'y - JBC Prem W/Ns
1	EAK0256J23A	Software Kit - Windows XP
1	01122651000	Label - caution,Electrical Shock
1	3-00128	Software - Norton Utilities
1	00089518000	Label-shut Down, Windows

## ROLLBACK KITS

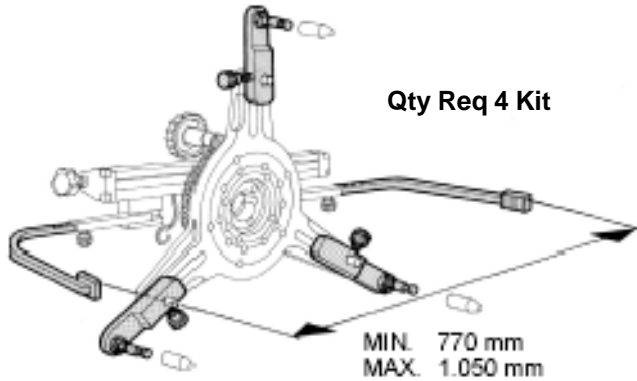
Lift	Turntable	Rollback Kit
4770	00089700000	65064
4870	00089700000	65064
4970	00089700000	65064
44110Q	00089700000	JBC043 /JBC043RP
44212Q	00089700000	JBC043 / JBC043RP
44216Q	00089700000	JBC043 / JBC043RP
44214Q	00089700000	JBC043 / JBC043RP
44218Q	00089700000	JBC043 / JBC043RP
48109B	00089700000	JBC043 / JBC043RP
48209B	00089700000	JBC043 / JBC043RP
892TKO	00089700000	JBC043 / JBC043RP
780S	00089700000	65064
780T	00089700000	65064
880S	00089700000	65064
880T	00089700000	65064
HUNTER	89261	89328
Rotary	89261	89327

# FEMAS CLAMP



- |          |                    |  |
|----------|--------------------|--|
| <b>1</b> | <b>EAK0222J30A</b> | <b>Wheel Clamp Alloy Kit (Includes 4 clamps)</b> |
| <b>4</b> | EAA0256J62A        | Wheel Clamp - Alloy ( Ar 10"- 21")               |
| <b>2</b> | EAM0007J37A        | Shaft - Adapter, Short                           |
| <b>2</b> | EAM0007J38A        | Shaft - Adapter, Long                            |
| <b>4</b> | EAK0222J21A        | Shoe Kit - Tapered, (Alloy Wc)                   |
| <b>4</b> | EAK0222J22A        | Gripper Shoe Kit, Short ( Alloy WC)              |
| <b>4</b> | EAK0222J24A        | Gripper Shoe Kit, Shaped (Alloy WC)              |
| <b>4</b> | EAK0222J25A        | Shoe Kit, Extensions (Alloy WC)                  |
| <b>4</b> | 1-1041             | Washer, 1/2"                                     |
| <b>4</b> | 1-16133            | Nut - Hex M12x1.75, 12 mm                        |

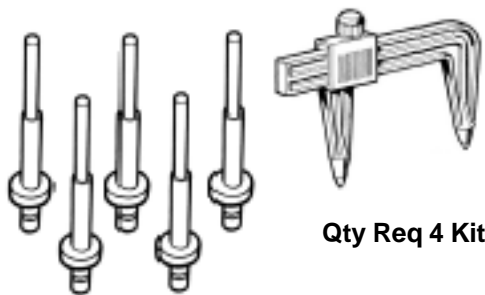
# OPTIONAL FEMAS ACCESSORIES



EAK0222J27A    Qty Req 4 Kit    Extension Adaptor Kit



Qty Req 1 Kit  
EAK0222J20A    Porsche Adaptors



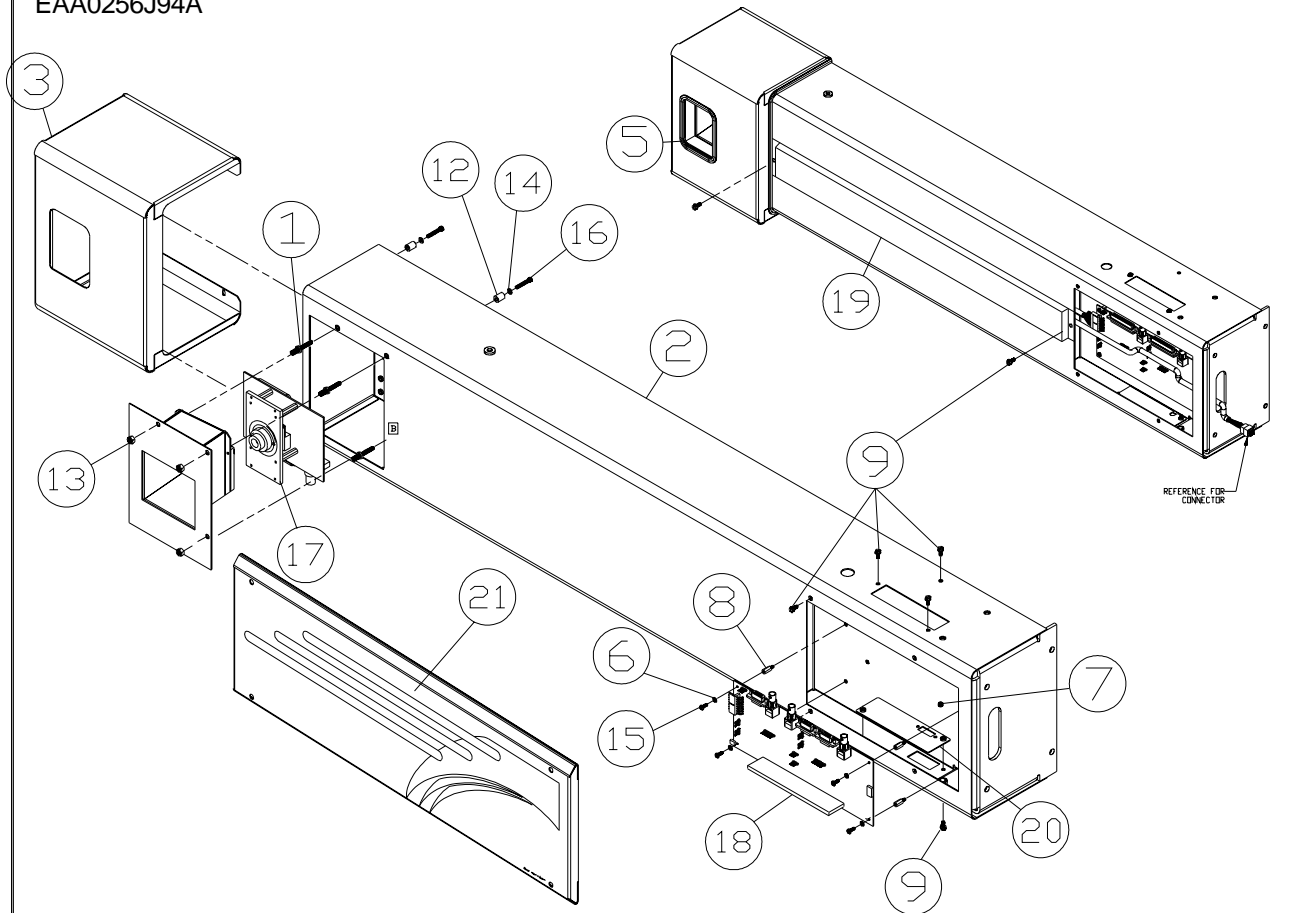
EAK0222J28A    Qty Req 4 Kit    Kit, Hub Pins For Mercedes-Benz & BMW



Qty Req 4 Kit  
EAK0222J23A    Long Gripper

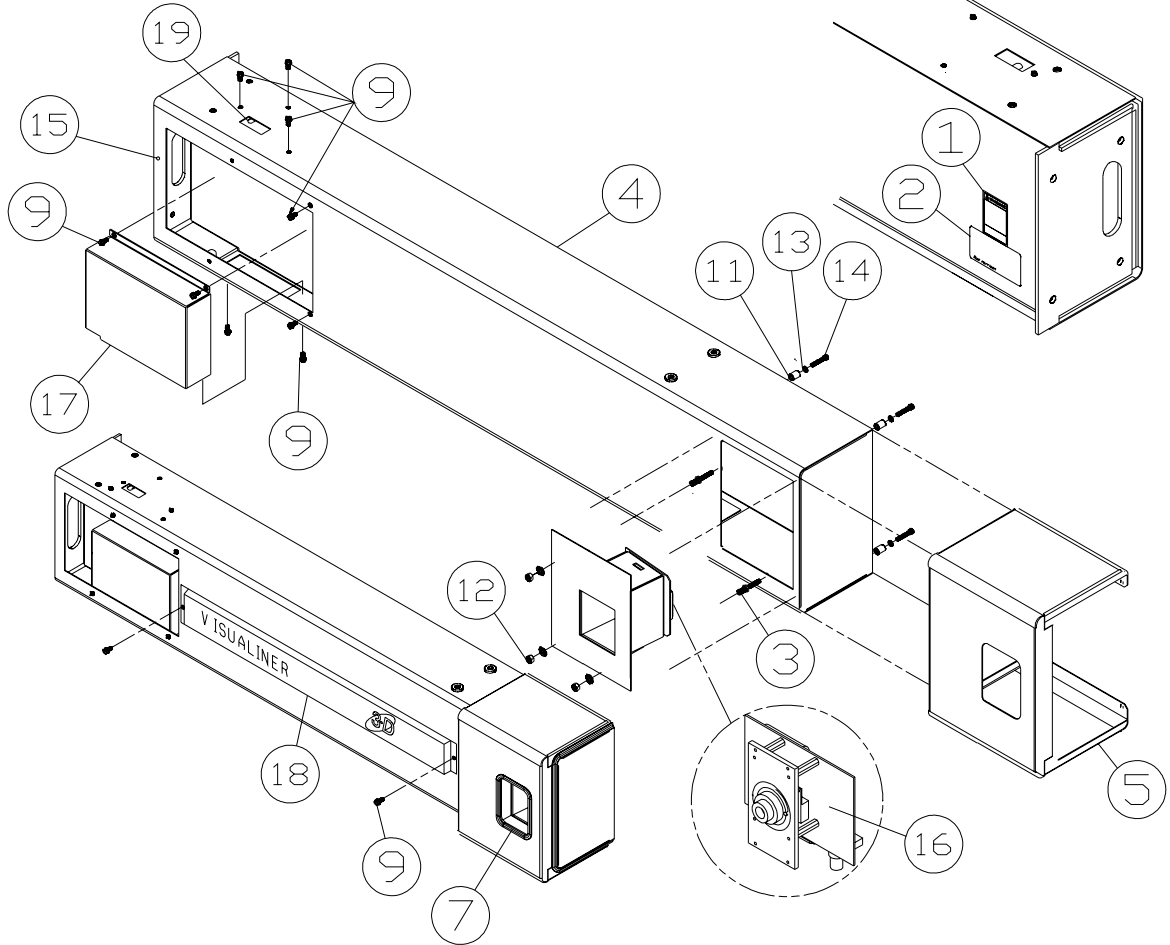
# V3D IVS LH CAMERA BEAM

EAA0256J94A



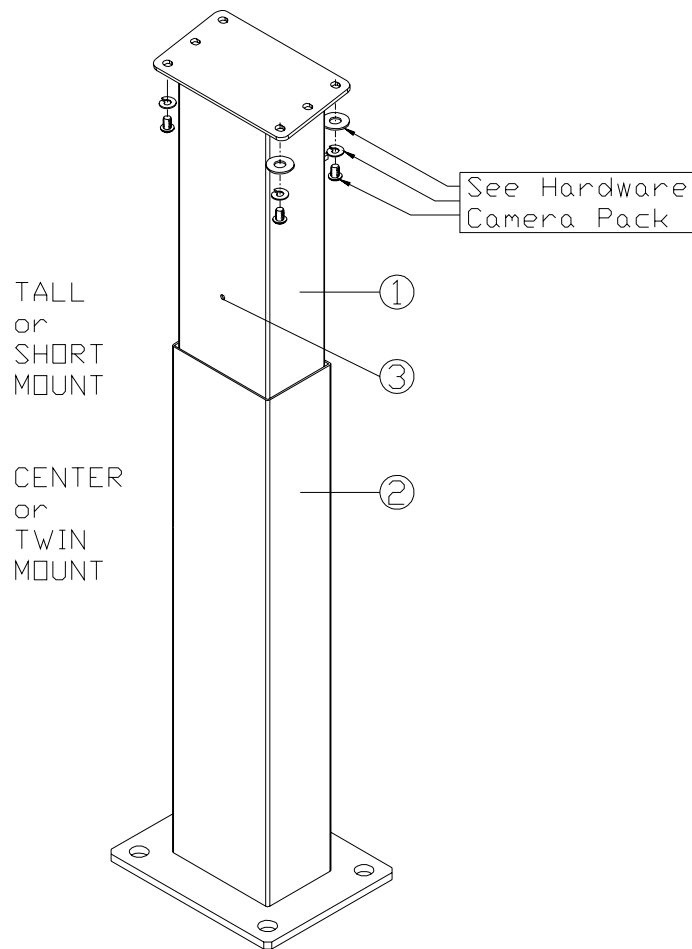
Ref	Qty	Part Number	Description
1	3	00089243000	Screw - Camera Box Mount
2	1	00089245000	Camera Beam - V3D
3	1	00089259000	Cover - Camera Beam
4	1	00089319000	Carton
5	1	01122654000	Trim - Lock,62b7 X 1/16
6	4	1-147	Washer - Lock, Int #6
7	1	8-08216	Grommet - 3/16ID X 9/16OD,Blk
8	4	1-5361	Spacer - Threaded,6-32 X 1/2
9	10	1-8626	Screw - Self Tap 8-32 X .375
10	4	1-07724A	Screw - 8-32 X .38 Self Tap
12	4	1-09662A	Spacer - Nylon 3/8 X .194 X .5
13	3	1-18333A	Nut - Hex 1/4 - 28 Zinc
14	4	1-18341A	Washer - .191ID X .620d X .06,Thk,St
15	4	1-28306A	Screw - PHM 6-32 X .375 Phil
16	4	1-43709A	Screw - BHCS, 8-32 X 1 Zn
17	1	EAK0222J52A	IVS Camera Pod Assy
18	1	EAP0196J70B	PCB Assy - IVS Processor
19	1	EAS2022J14A	Cover - Front,Camera Beam
20	2	EAS2022J81A	Plate - Hole Cover Cam. Bm IVS
21	1	00089260000	Cover - Front Center
*	1	EAW0235J05A	Cable Assy - IVS Camera Video
*	1	EAW0235J07A	Cable Assy - IVS Camera Control
*	1	EAX0040J00A	Cable Assy - USB

## V3D IVS RH CAMERA BEAM



Ref	Qty	Part Number	Description
1	1	00086465000	Label - Warning, Shock
2	1	00088647000	Label - Elect/Serial, V3D C.B.
3	3	00089243000	Screw - Camera Box Mount
4	1	00089245000	Camera Beam - V3D
5	1	00089259000	Cover - Camera Beam
6	1	00089319000	Carton
7	1	01122654000	Trim - Lock,62B7 X 1/16
9	14	1-07724A	Screw - Self Tap 8-32 X .375
11	4	1-09662A	Spacer - Nylon 3/8 X .194 X .5
12	3	1-18333A	Nut - Hex 1/4-28 Zinc
13	4	1-18341A	Washer - .191 ID X .620 Dx .06,Thk,St
14	4	1-43709A	Screw - BHCS, 8-32 X 1 Zn
15	1	5-05145A	Cable Tie - 11.38" Clear
16	1	EAK0222J52A	IVS Camera Pod Assy
17	1	EAE0049J14A	Power Supply, IVS
18	1	EAS2022J14A	Cover - Front, Camera Beam
19	1	EAS2022J81A	Plate - Hole Cover Cam. Bm IVS
20	1	EAW0235J05A	Cable Assy - IVS Camera Video
21	1	EAW0235J07A	Cable Assy - IVS Camera Control
*	4	01122254000	Plug - Hole, IR Head Cover
*	6	01122319000	Plug - Hole,Dome Snap In411
*	2	01122409000	Plug - Pry Out, .75 Dia

## V3D IVS STATIONARY COLUMNS



Ref	Part Number	Description
1	00089308000	Support Column - Tall (41.75)
	00089307000	Support Column - Short (27.25)
2	00088559000	Support - Base, Long
	00088558000	Support - Base, Short
3	01103475000	Screw- Set, 5/16 - 8 X 3/4 HS Cup

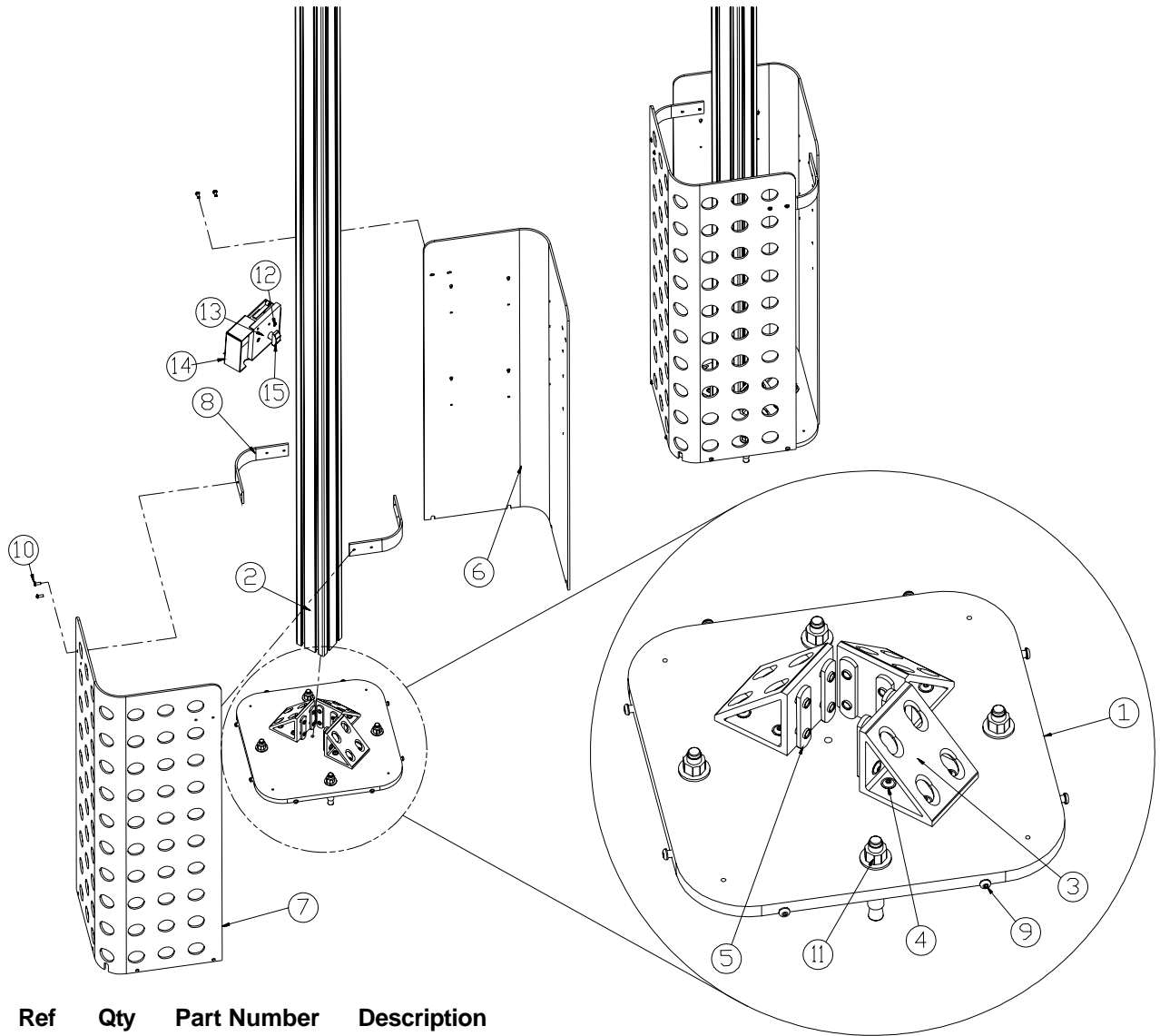
### Hardware Camera Pack 00089306000

01101731000	Screw - PHMS, #6 - 32 X 5/8 PHL BL
01122363000	Clamp - Cable .625 Dia Bundle, Blk
01101891000	Duct - Latching, Pandiut 1/2 X 1
00061750000	Stud - Anchor, 1/2 - 13 X 3-3/4
01187798000	**Screw - BHSOC HCS, 5/16 - 18 X 1
00055414000	Bag - Cotton, 8 X 16 #29 - 13
01107385000	Washer - Flat, 1/2 1 1/16 O X 17/32
00089310000	Tall Dual Mount Kit
00089311000	Short Dual Mount Kit
00089312000	Tall Center Mount Kit
00089313000	Short Center Mount Kit

# ARAGO ILLUSTRATED



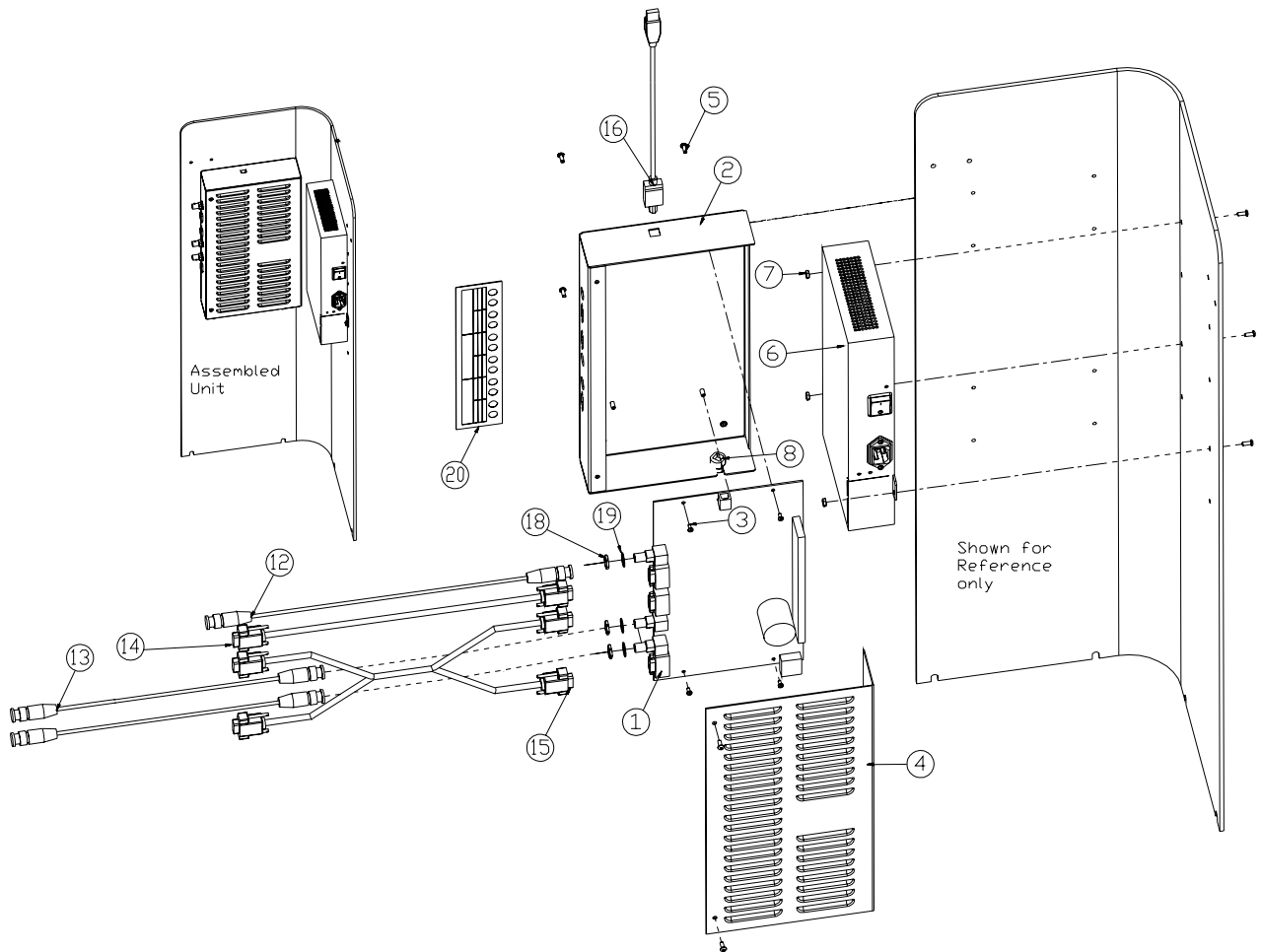
# ARAGO BASE ASSEMBLY



Ref	Qty	Part Number	Description
1	1	EAS2022J71A	Plate - Base, Tower
2	1	5-00220A	Tower - Extrusion, Heavy
3	3	1-04484A	Gusset - Tower Base
4	12	1-44109A	Screw - FBHCS, 5/16 - 18 X 5/8
5	6	1-04284A	T-Nut Double 5/16-18
6	1	EAS2022J58A	Shield - Base Tower, Rear
7	1	EAS2022J57A	Shield - Base Tower, Front
8	2	EAS2022J59A	Bracket - Shield, Connecting
9	8	1-2509	Screw - BHCS, 1/4 -20 X 5/8
10	8	1-42409A	Screw - BHCS, 10-32 X 1/2, Zinc
11	4	8-02440A	Bolt - Anchor (61750)
12	2	1-23306A	Screw, Pan HD #10 - 24 X 7/8
13	1	1-1337	Nut - ESNA, 5/16 - 18
14	1	EAS2057P39A	Cover Limit Switch
15	2	1-08984a	Stud - T Slot
*	1	EAA0297P33A	Lower Limit Switch
*	2	1-09084A	Plastic cover for wire in tower



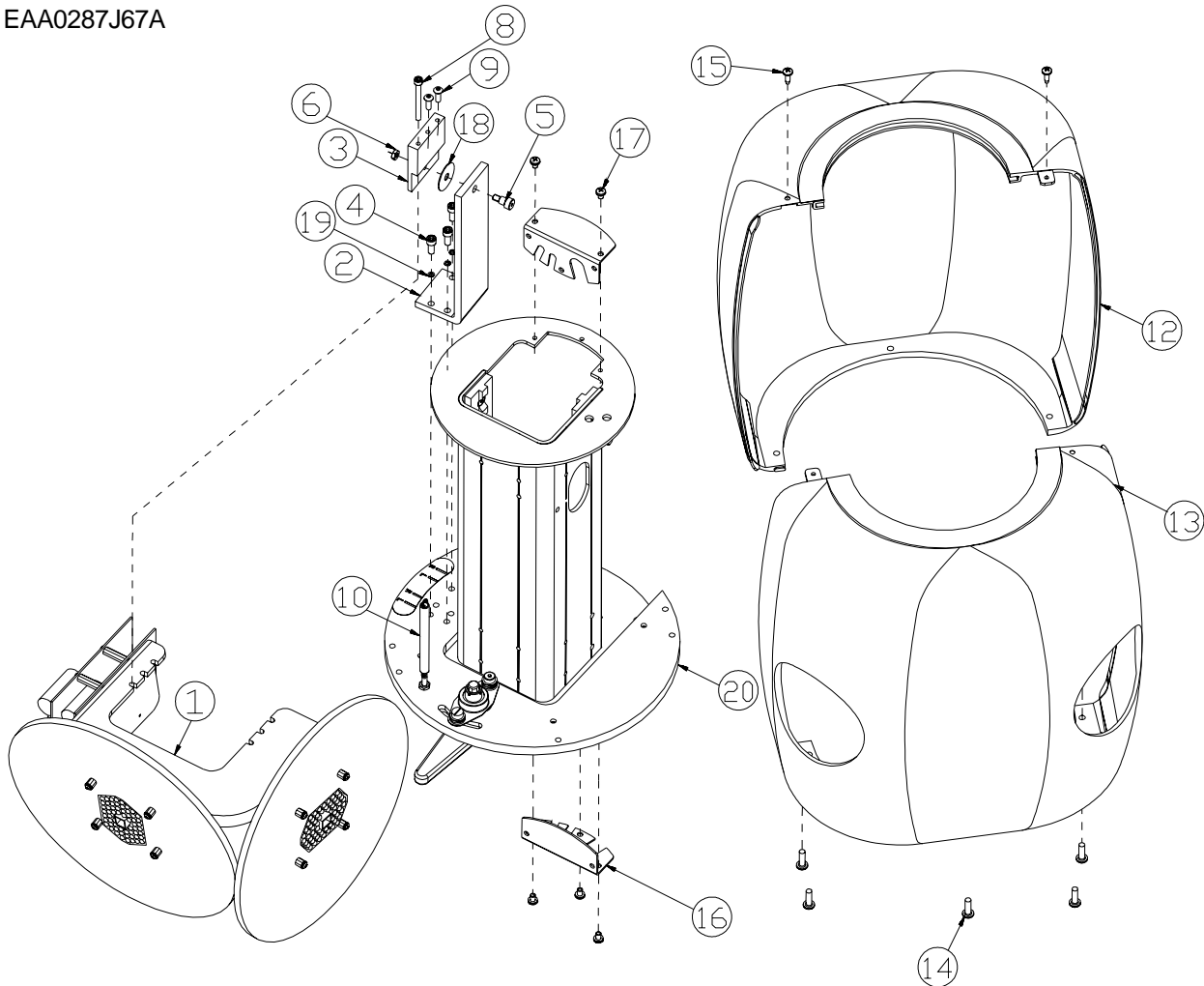
# ARAGO ELECTRICAL ASSEMBLY



Ref	Qty	Part Number	Description
1	1	EAP0238J00A	PCB Assy - IVS Processor 3 Channel
2	1	EAS2022J67A	Housing - IVS, Main
3	4	1-1906	Screw - 4-40 X 1/4 PHMS - ZN
4	1	EAS2022J68A	Cover - Main, IVS
5	9	1-2609	Screw - SHCS, 6 - 32 X 3/8 BTN Hd
6	1	EAE0049J14A	Power Supply, IVS
7	3	1-133	Nut - Hex, 10-32, Zinc
8	1	8-3916	Strain Relief, Heyco
12	1	EAW0235J21A	Cable Assy - Video Long
13	2	EAW0235J22A	Cable Assy - Video Short
14	1	EAW0235J23A	Cable Assy - Common Long
15	1	EAW0235J24A	Cable Assy - Common Short
16	1	EAX0040J00A	Cable Assy - USB
18	3	2-6138-1	Lockwasher - Int, Zinc 1/2
19	3	2-6138-2	Nut - Jam, 1/2-28, Brass
20	1	EAL0343J46A	Label - Code Electrical
NS	1	EAW0259P00A	Cable Assy, Arago Db15 To Hdr14
NS	1	EAW0259P02A	Cable Assy, Arago Motor Control
NS	2	01122255000	Spacer - Threaded #4 - 40x1

# ARAGO LEFT HAND POD

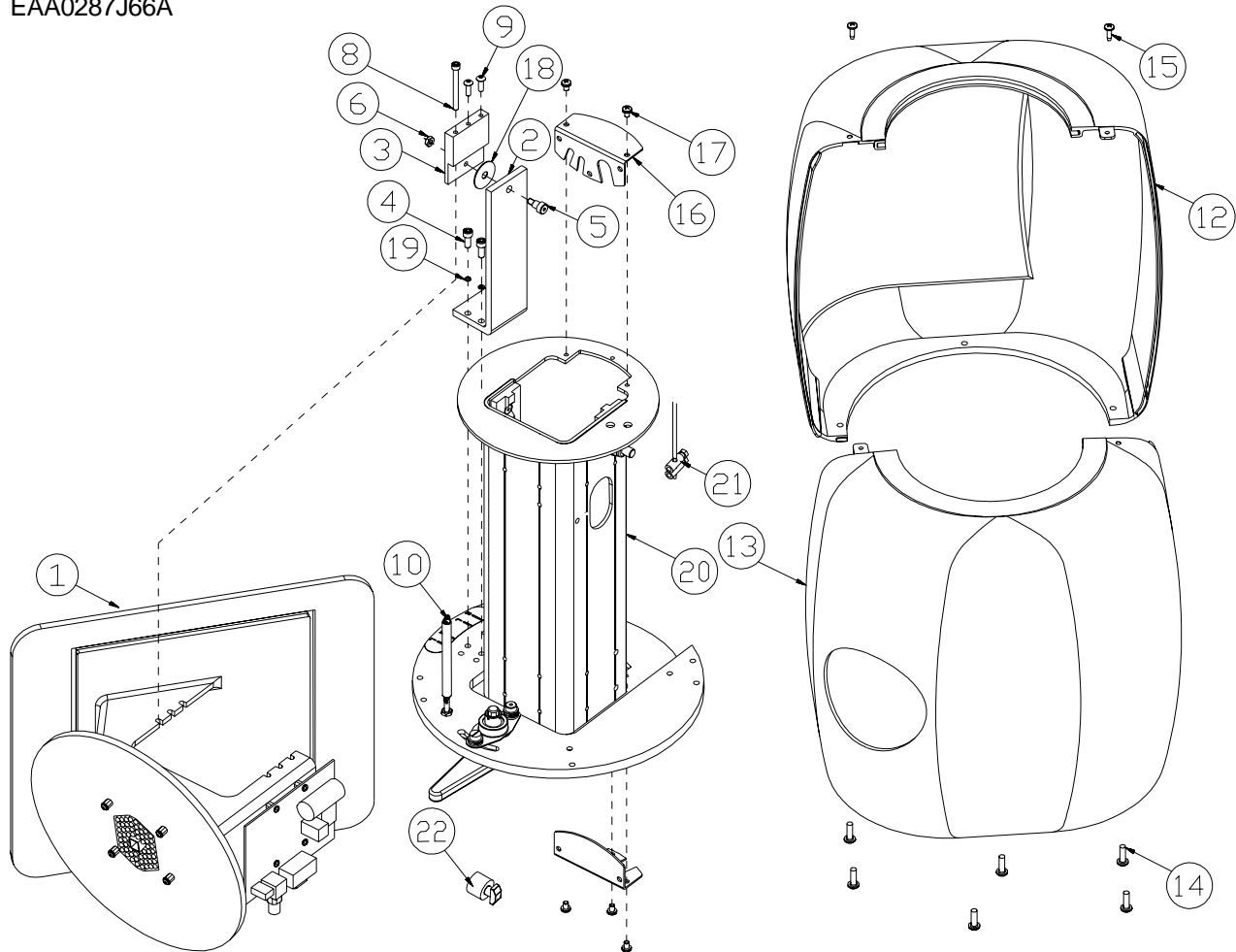
EAA0287J67A



Ref	Qty	Part Number	Description
1	1	EAA0256J76A	Pod Assy, Left
2	1	EAS2022J60A	Bracket - Hinge, Lower
3	1	EAS2022J73A	Bracket - Hinge, Top
4	4	1-42709A	Screw - SHCS, 10 - 32 X 1/2, Zinc
5	1	1-01516A	Bolt - Shoulder, 1/4 X 1/4 10 - 32
6	1	1-333	Nut - Hex, 10 - 32, Zinc
8	1	1-41209	Screw - BHCS, 8 - 32 X 1 3/4
9	2	01101573000	**Screw - BHCS, #8 - 32 X 1/2 Hs
10	1	1-03667A	Spring - Extension
12	1	EAM0016J74A	Cover - Pod, Plain
13	1	EAM0007J29A	Cover - Pod, 2 Hole
14	6	01122066000	Screw - PHMS, #10 - 32 X 5/8 Phi B
15	2	1-07424A	Screw - Slf Tp, 8 - 18 X 1/2, Blk
16	2	EAS2022J65A	Plate - Elect., Dual
17	5	1-3006	Screw - PHMS, 8 - 32 X 1/4
18	1	1-11944A	Washer - Flat
19	4	1-646	Lockwasher - #10
20	1	EAA0287J68A	Pod Assy, Common - Motor

# ARAGO RIGHT HAND POD

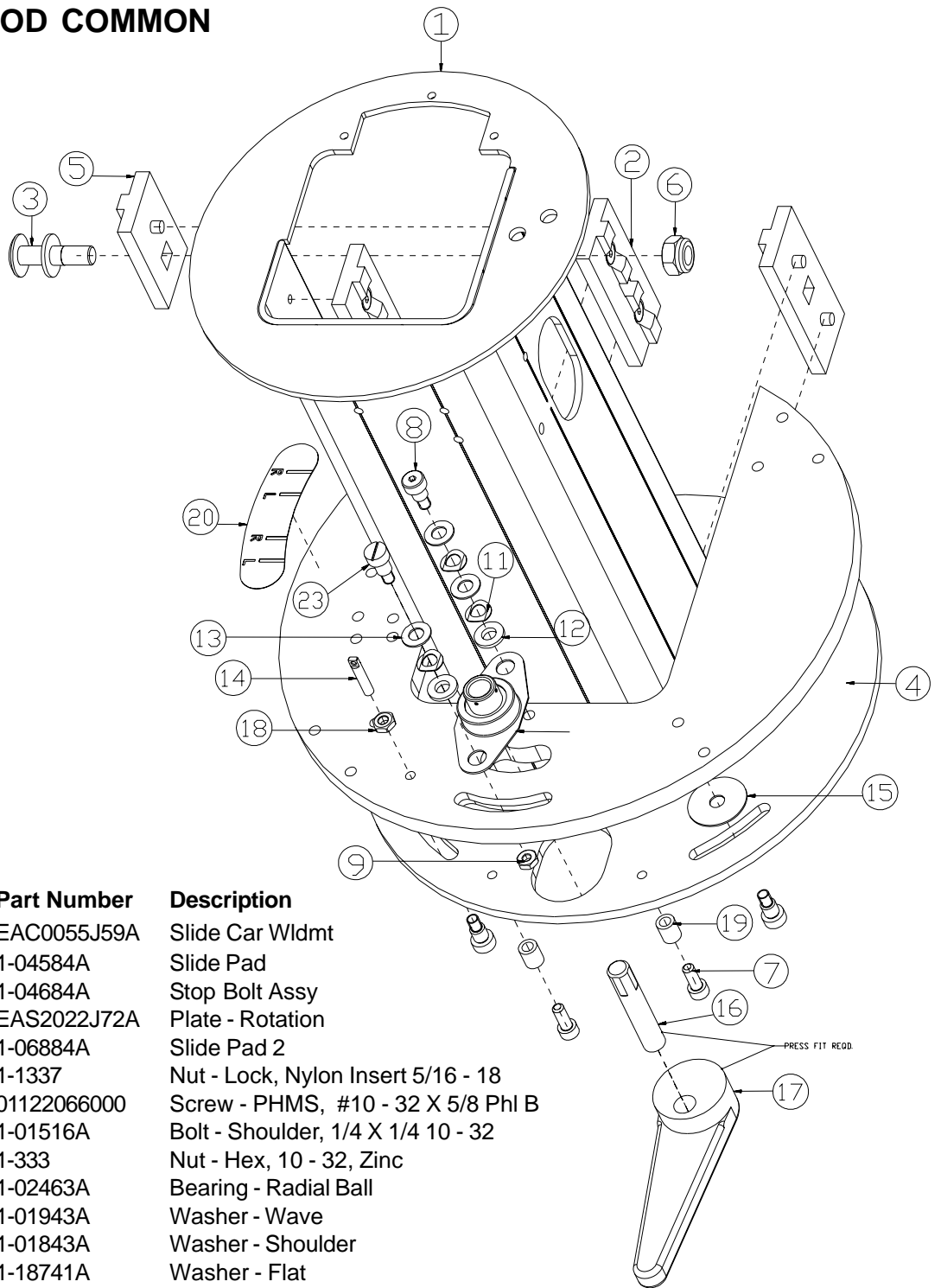
EAA0287J66A



Ref	Qty	Part Number	Description
1	1	EAA0256J77A	Pod Assy, Right
2	1	EAS2022J60A	Bracket - Hinge, Lower
3	1	EAS2022J73A	Bracket - Hinge, Top
4	4	1-42709A	Screw - SHCS, 10 - 32 X 1/2, Zinc
5	1	1-01516A	Bolt - Shoulder, 1/4 X 1/4 10 - 32
6	1	1-333	Nut - Hex, 10 - 32, Zinc
8	1	1-41209	Screw - BHCS, 8 - 32 X 1 3/4
9	2	01101573000	**Screw - BHCS, #8 - 32 X 1/2 Hs
10	1	1-03667A	Spring - Extension
12	1	EAM0007J30A	Cover - Pod, Rect.hole
13	1	EAM0007J28A	Cover - Pod, 1 Hole (Mch)
14	6	01122066000	Screw - PHMS, #10 - 32 X 5/8 Phi B
15	2	1-07424A	Screw - Slf Tp, 8 - 18 X 1/2, Blk
16	2	EAS2022J65A	Plate - Elect., Dual
17	5	1-3006	Screw - PHMS, 8 - 32 X 1/4
18	1	1-11944A	Washer - Flat
19	4	1-646	Lockwasher - #10
20	1	EAA0287J68A	Pod Assy, Common - Motor
21	2	2-09157A	Halyard Clamp
22	1	8-09518A	Bumper Stop

# ARAGO POD COMMON

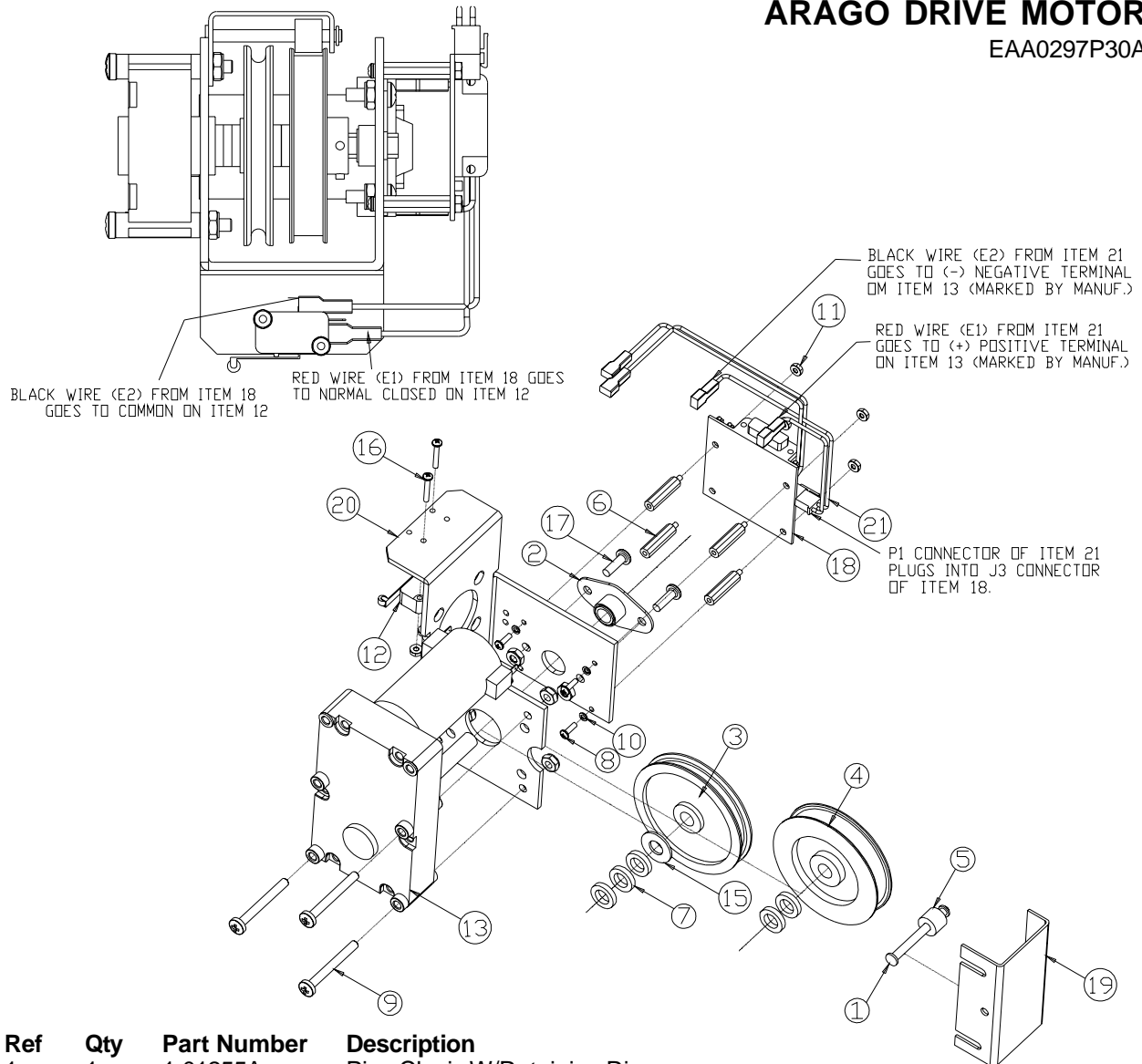
EAA0287J68A



Ref	Qty	Part Number	Description
1	1	EAC0055J59A	Slide Car Wldmt
2	3	1-04584A	Slide Pad
3	1	1-04684A	Stop Bolt Assy
4	1	EAS2022J72A	Plate - Rotation
5	1	1-06884A	Slide Pad 2
6	1	1-1337	Nut - Lock, Nylon Insert 5/16 - 18
7	2	01122066000	Screw - PHMS, #10 - 32 X 5/8 Phl B
8	5	1-01516A	Bolt - Shoulder, 1/4 X 1/4 10 - 32
9	1	1-333	Nut - Hex, 10 - 32, Zinc
10	1	1-02463A	Bearing - Radial Ball
11	3	1-01943A	Washer - Wave
12	2	1-01843A	Washer - Shoulder
13	3	1-18741A	Washer - Flat
14	1	1-03767A	Spring - Anchor
15	4	1-11944A	Washer - Flat
16	1	EAM0007J32A	Shaft - Rotation, Handle
17	1	EAS2022J74A	Handle - Rotation, Cam
18	1	1-233	Nut - Hex, 2n 8 - 32
19	2	1-09562A	Spacer - Round
20	1	EAL0343J48A	Label - RH/LH, Arago3
21	2	1-646	Lockwasher - #10
23	1	1-01611	Screw - Shoulder 1/4 - 5/16, 10 - 32

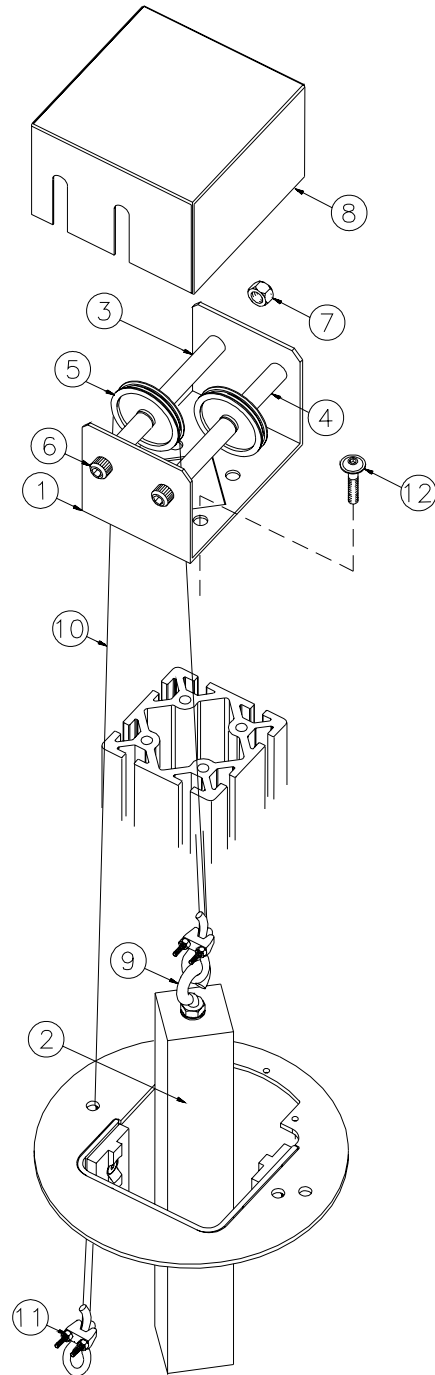
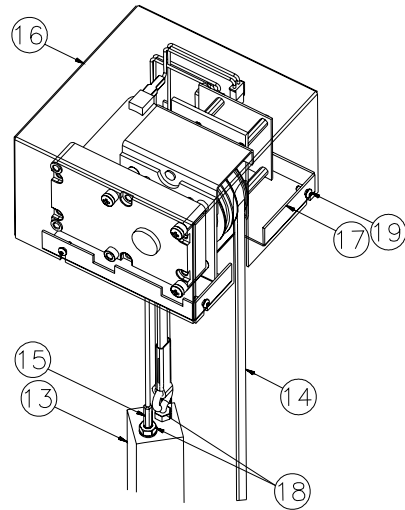
# ARAGO DRIVE MOTOR

EAA0297P30A



Ref	Qty	Part Number	Description
1	1	1-01255A	Pin - Clevis W/Retaining Ring
2	1	1-02863A	Flange, Mount Press Bearing
3	1	1-07284A	Pulley Lp
4	1	1-07484A	Pulley Timer Belt
5	1	1-11462A	Spacer - Nylon
6	4	1-11761A	Standoff 4 - 40 X 1" M/F
7	5	1-12944A	Washer - Nylon
8	4	1-30606A	Screw - PHMS 4 - 40 X 1/4
9	3	1-4806	Screw - 10 - 32 X 1 3/4 PHMS, Zinc
10	4	1-546	Lockwasher - #4, Zinc
11	6	1-6933	Nut/Lockwasher - 4 - 40 Zinc
12	1	2-01763A	Switch - Limit
13	1	2-36466A	Motor - Gear Drive
14	5	1-7133	Nut - Keps, #10 - 32 Unf - 2b Cd/Zn
15	1	01107383000	**Washer - Flat, 3/8 Obs/02j0420
16	2	01115607000	Screw - RHMS, #4 - 40 X 3/4 Phl
17	2	01122066000	Screw - PHMS, #10 - 32 X 5/8 Phl B
18	1	EAP0196J14A	PCB - Arago Motor Control
19	1	EAS2048J21A	Bracket - Pulley
20	1	EAS2051P81A	Bracket - Motor
21	1	EAW0259P01A	Cable Assy, Arago Motor Drive

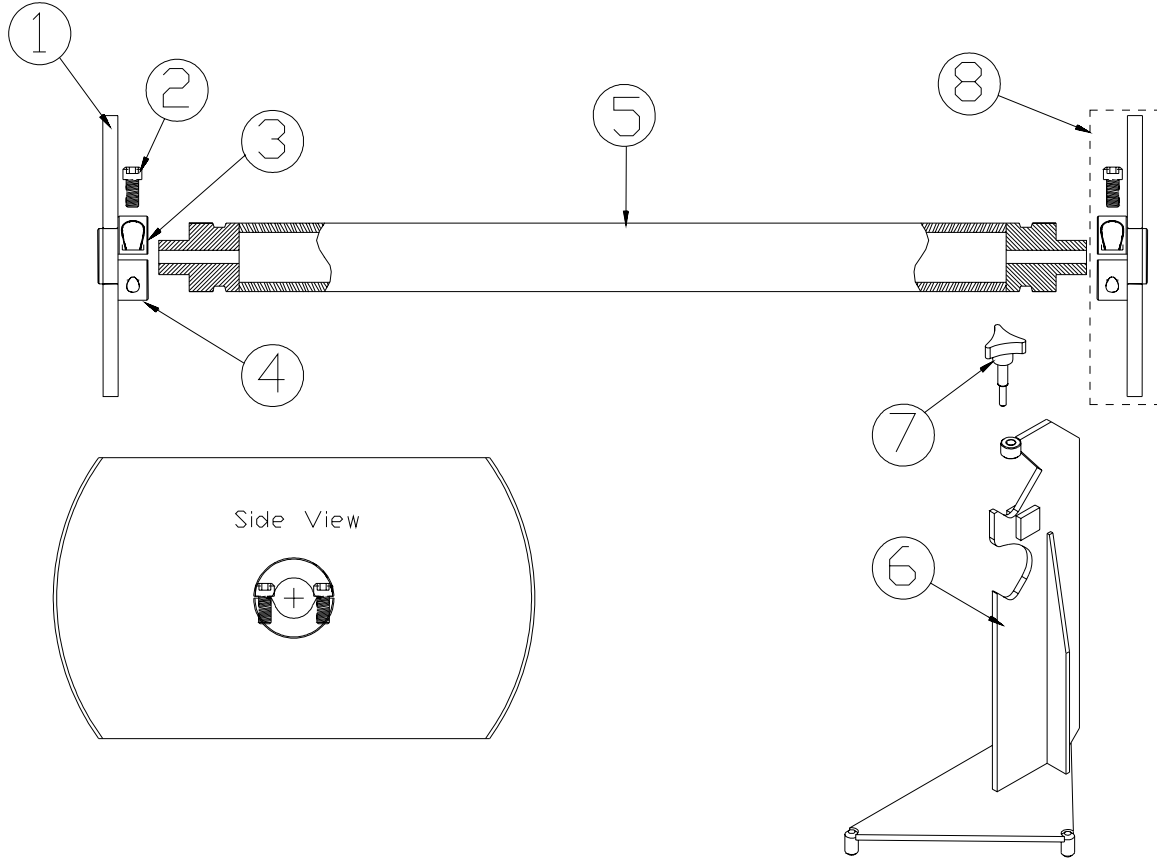
# PULLEY & WEIGHT SYSTEM



Ref	Qty	Part Number	Description
1	1	EAS2048J65A	Bracket Pulley Double
2	1	EAS2048J64A	Weight - Short, Counter
3	2	EAC0079J08A	Spacer
4	2	EAC0079J07A	Spacer Short
5	2	1-07284A	Pulley Lp
6	2	1-02115A	Bolt - HH 3/8 - 16 X 5 Zn
7	2	1-8133	Nut - Keps, 3/8 - 16
8	1	EAS2048J66A	Cover Pulley RH
9	1	1-01830A	Bolt - Eye W/ Nut
10	9	8-03631B	Cable - 3 - 32
11	2	8-09219A	Clamp - Cable U - Bolt
12	2	1-44109A	Screw - FBHCS, 5/16 - 18 X 5/8
13	1	EAM0023J00A	Weight Counter Arago
14	1	EAA0287J73A	Belt ASM. Arago
15	1	EAA0297P31A	Wire Rope Assy
16	1	EAS2057P33A	Cover - Top Motorized
17	1	EAS2057P32A	Bottom Cover Assy
18	2	1-7433	Nut - Kep Hex 1/4 X 20
19	8	1-2609	Screw - SHCS, 6 - 32 X 3/8 BTN Hd

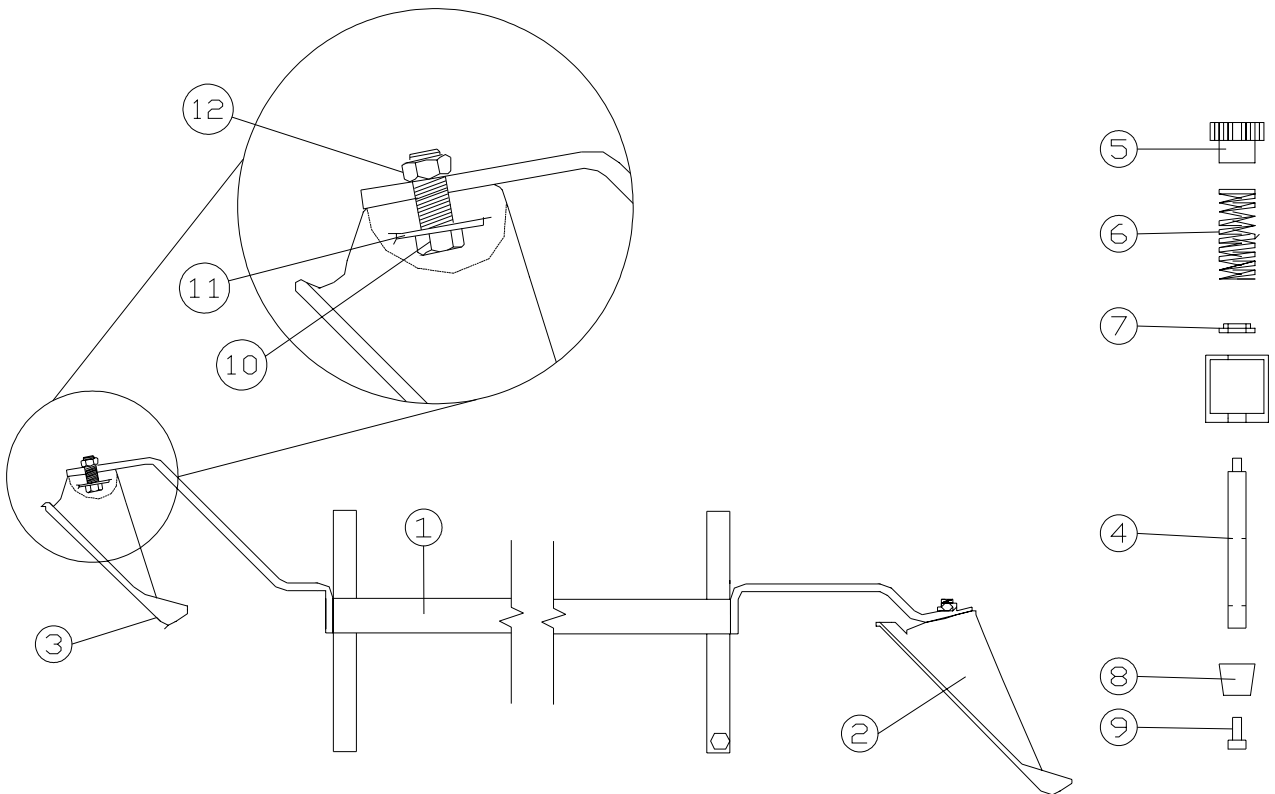
# RCP CHECK FIXTURE

EAA0256J00A



Ref	Qty	Part Number	Description
1	1	EAA0256J04A	Plate - Rim Clamp Adapter
2	2	01102353000	Screw-SHCS, 5/16-18 X 1
3	1	EAA0256J03A	Cap - Hub
4	1	EAA0256J02A	Adapter - Hub
5	1	00063696000	Bar Sub Ass'y - Calibration
6	2	00084102000	Stand - Calibration
7	2	00083258000	Screw Ass'y - Clamp, Head Lock
8	2	EAA0256J01A	Adapter - Rim Clamp

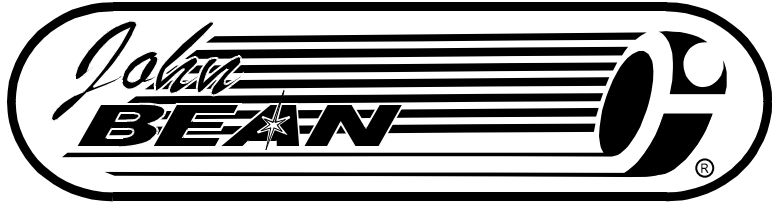
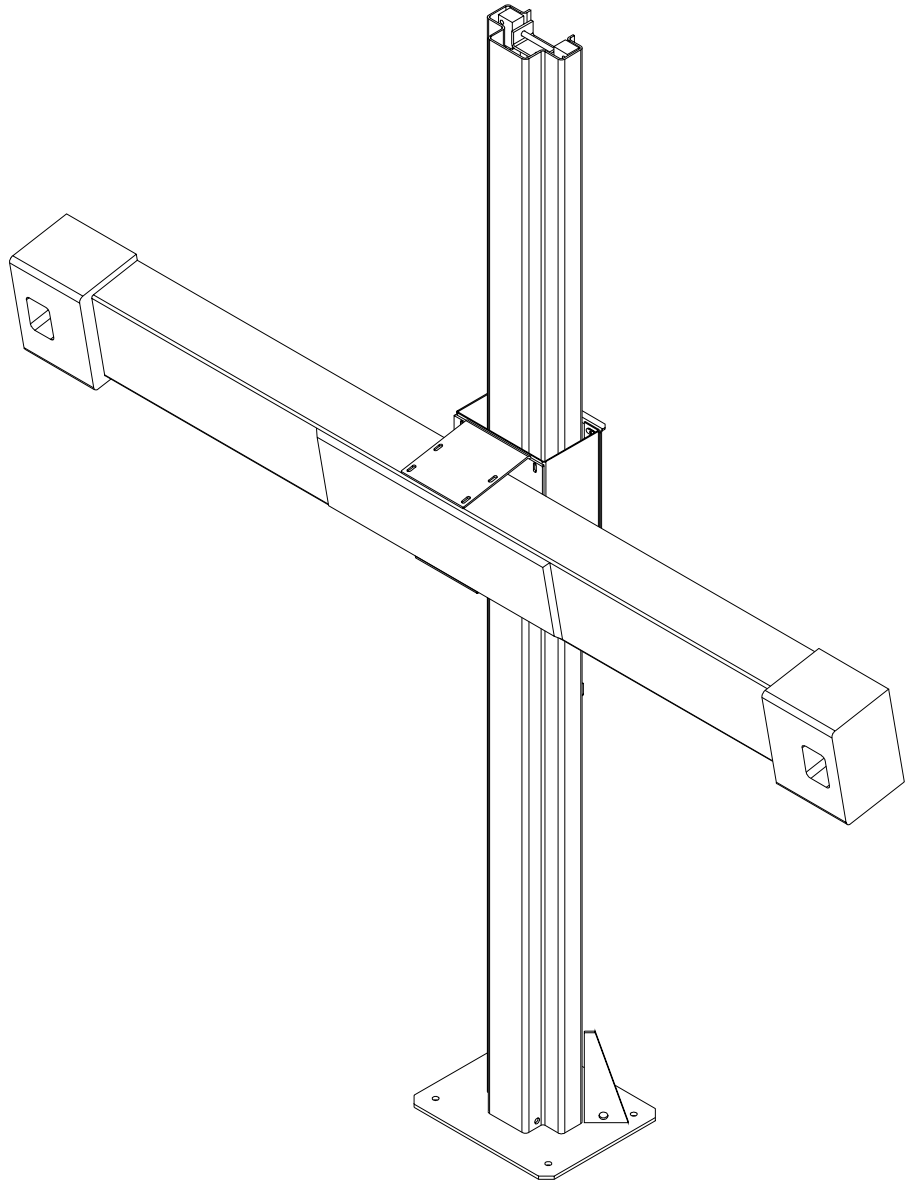
# CALIBRATION FIXTURE



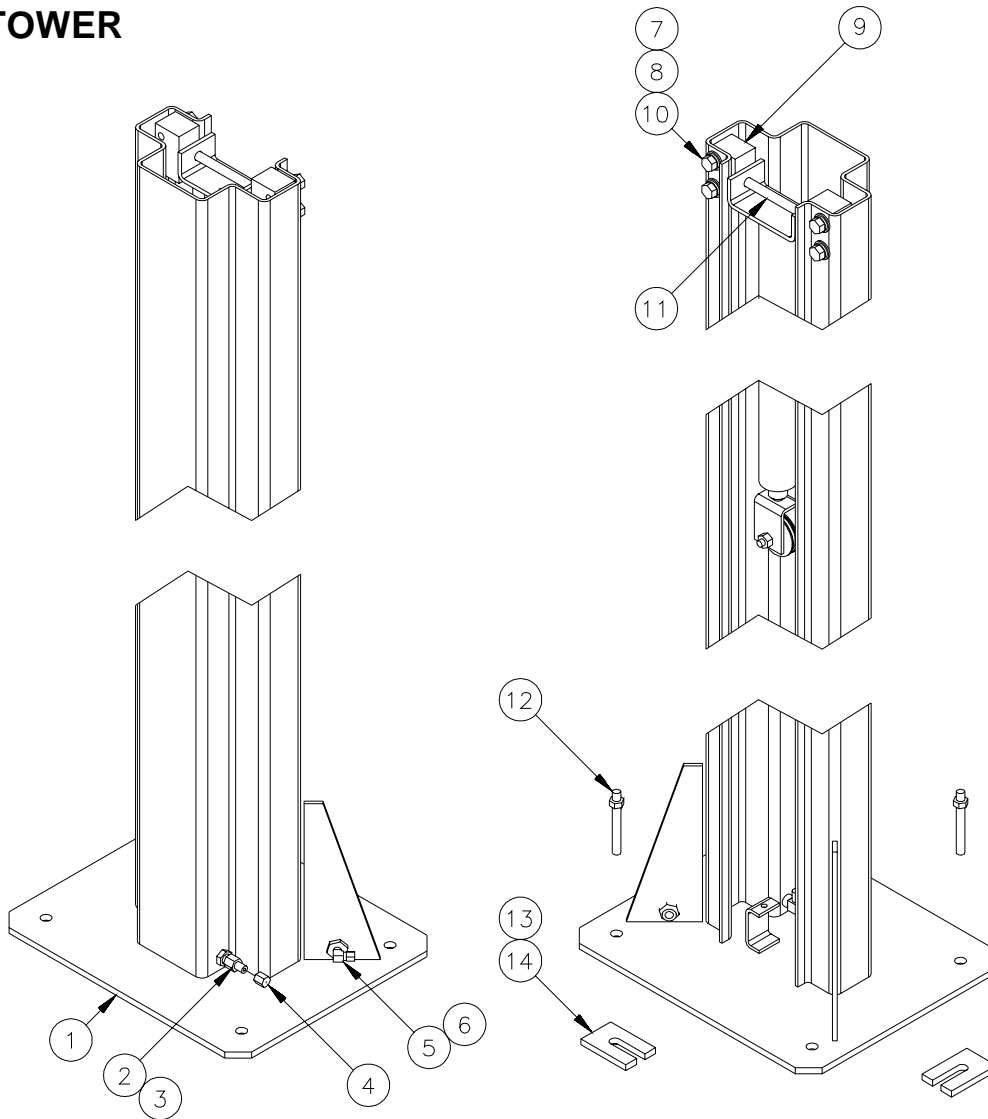
Ref	Qty	Part Number	Description
1	1	00089203000	Bar Weldment - Calibration,V3D
2	1	EAA0287J63A	Target Sandwich - Rear
3	1	EAA0287J62A	Target Sandwich - Front
4	1	00088853000	Shaft - Foot Adj
5	1	01122370000	Knob - RD,Knurled,10 - 24
6	1	01122372000	Spring - Compression
7	1	01122630000	Washer - Shoulder,3/4
8	2	01122379000	Bumper - Rubber,Recessed 1 X 5/8
9	2	01112276000	Screw - Shcs, #10 - 24 X 3/8 PI
10	2	01100355000	Screw - Hhcs 5/8 - 11 X 1 1/2
11	2	01100266000	Washer - Flat, 5/8 1 3/4 OD X 11/16 ID
12	2	01121513000	Nut - Hex, 5/8 - 11 UNC - 2B Cad / ZN
*	5	01122491000	Plug - Poly,Blk, (Fits 1.12 ID)
*	2	01122438000	Insert - Brass 240 - 332
*	2	01112969000	Screw - Set, #10 - 32 X 5/8 HS Cup
*	1	01122571000	Pin - Coiled Spring 1/16 X 3/4
*	1	00088623000	Tool - Lock Nut, 3/8 Hex
*	1	01122380000	Screwdriver - 8" Long



**V3D ADJUSTABLE CAMERA BOOM**

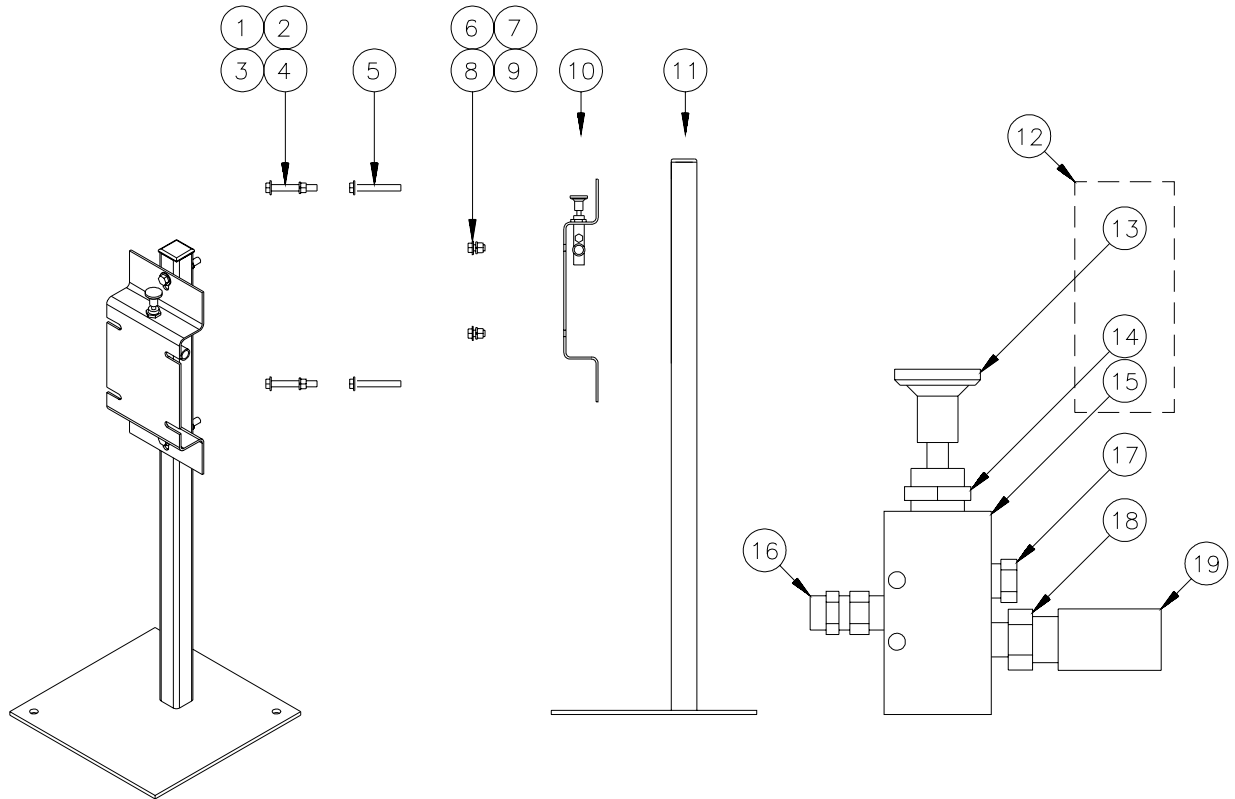


# LIFT TOWER



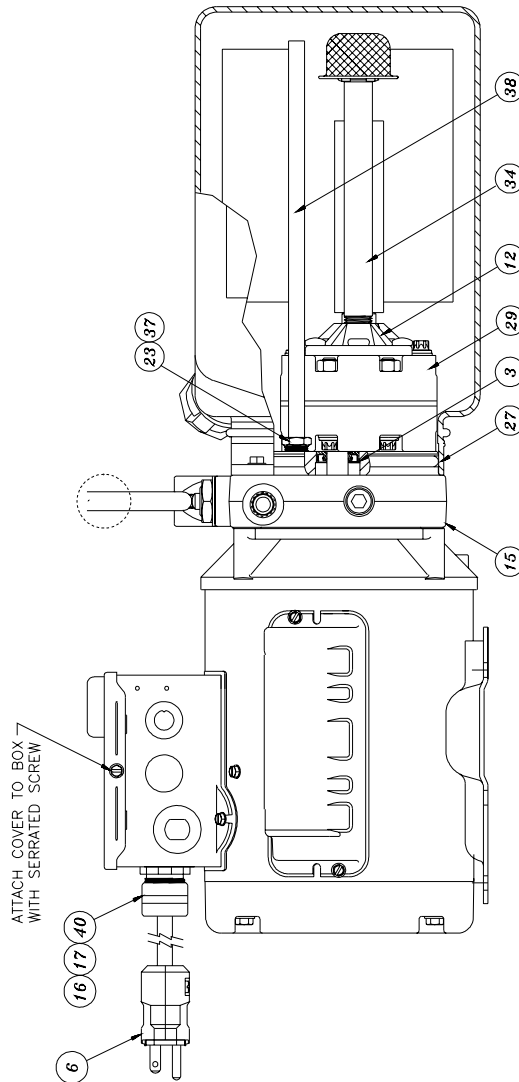
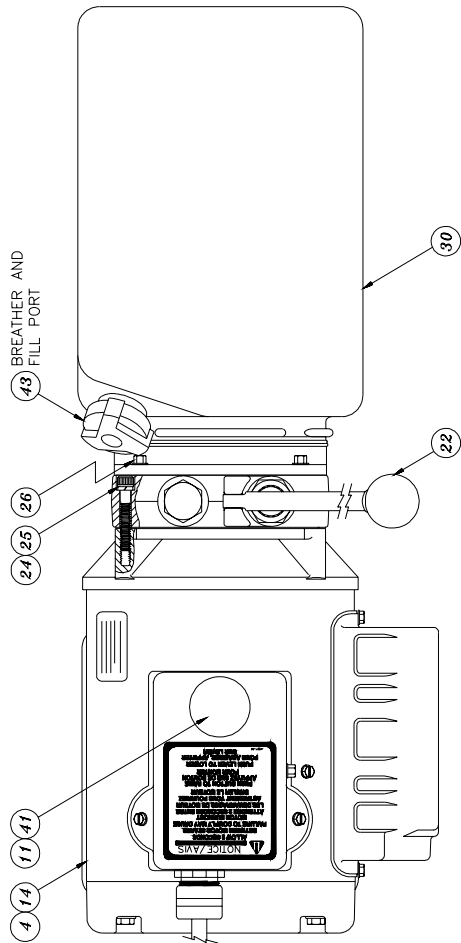
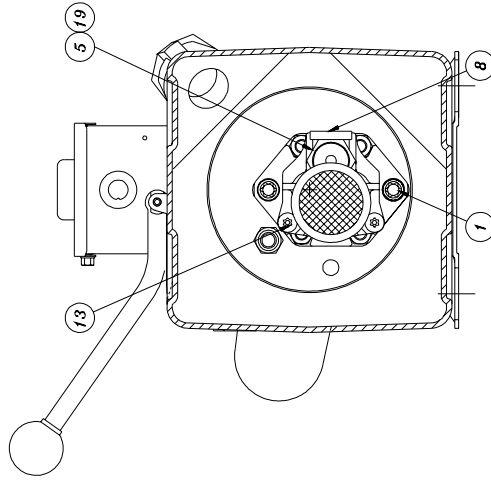
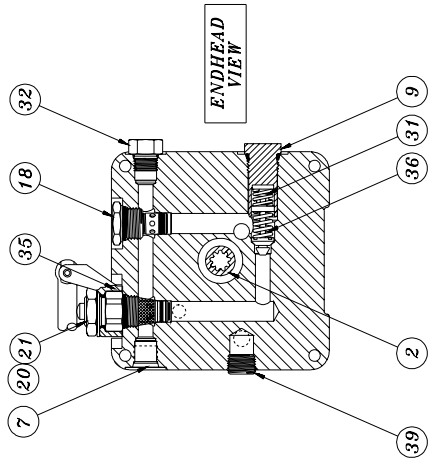
Ref	Part Number	Description
1	4-097301	Tower
2	6-0012	Bulkhead Elbow 3/8" JIC
3	6-0974	3/8" - 1/4" JIC Reducer
4	6-1884	Cap
5	6-0713	Short Terminal Bolt
6	6-1904	1/4" Poly - 1/4" M NPT Elbow Adapter
7	6-0047	1/2" X 1 3/4" LG. HEX HEAD BOLT
8	6-0059	1/2" Lock Washer
9	1-2447	Cylinder Mounting Block
10	6-0248	1/2" Flat Washer
11	1-2446	Cylinder Mounting Pin
12	6-0140	1/2" X 4 1/2" Wedge Anchor (C/W F.W. & Nut)
13	6-0740	1/8" Thick Shim
14	6-0739	1/16" Thick Shim
NS	6-2319	Hydraulic Hose
NS	8-0141	1/4" Polytube (Specify Length)
NS	6-0337	Coil Hose

# POWER PACK STAND



Ref	Part Number	Description
1	6-0730	3/8"X2 3/4" Lg. Hex Head Bolt
2	6-0058	3/8" Lock Washer
3	6-0062	3/8" Flat Washer
4	6-0034	3/8" Nut
5	6-1571	3/8"X2 1/4" Wedge Anchor (C/W F.W. & Nut)
6	6-0423	5/16" X 3/4" Hex Head Bolt
7	6-0674	5/16" Lock Washer
8	6-0295	5/16" Flat Washer
9	6-0294	5/16" Nut
10	2-1864	Wall/Stand Mount Assembly
11	2-1852	Stand
12	6-2506	3-Way Valve Assembly
13	6-2506PB	Push Button
14	6-2506NUT	Nut
15	6-2506VB	Valve Body
16	6-0708	1/4" Poly – 1/8" M NPT Adapter
17	6-0183	Breather
18	6-1382	1/4" M Npt – 1/8" M NPT Adapter
19	6-0215	1/4" NPT Coupler

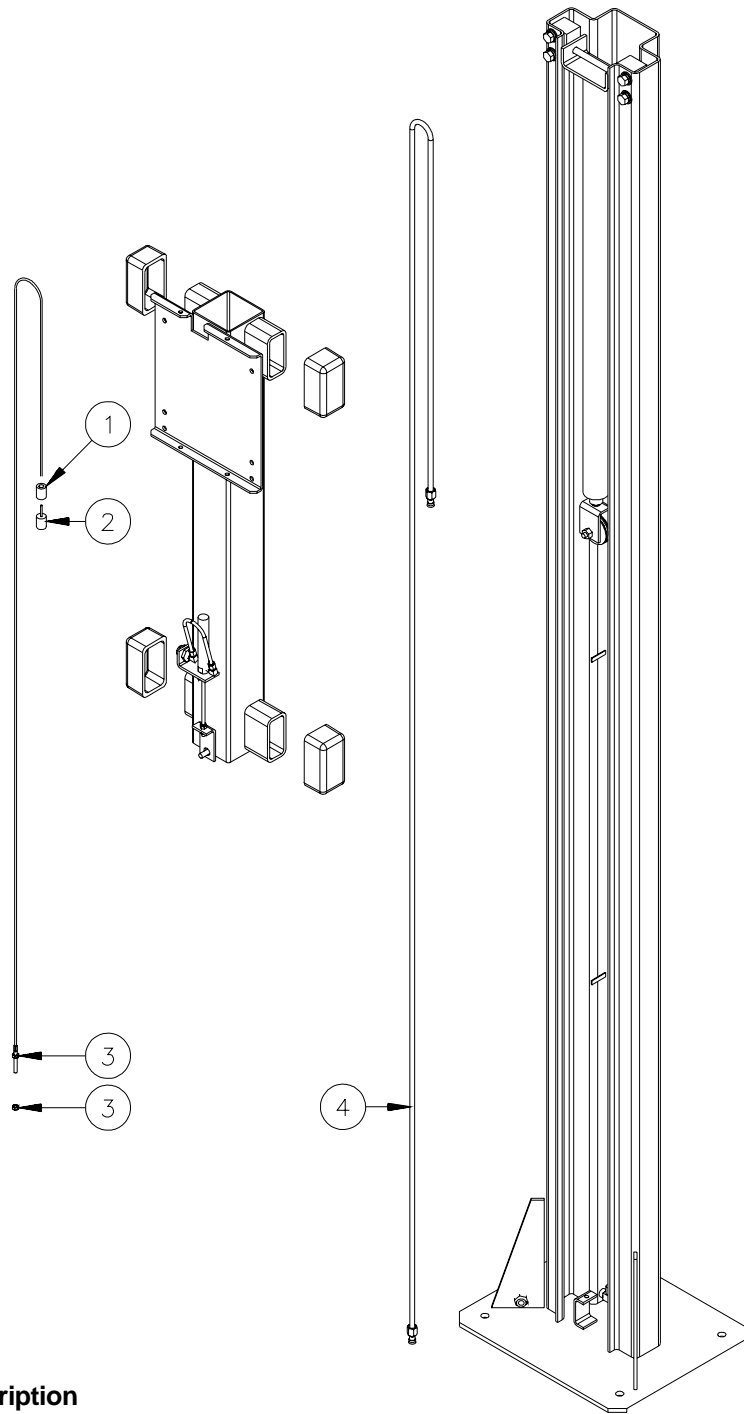
# POWER PACK ASSEMBLY



## POWER PACK ASSEMBLY

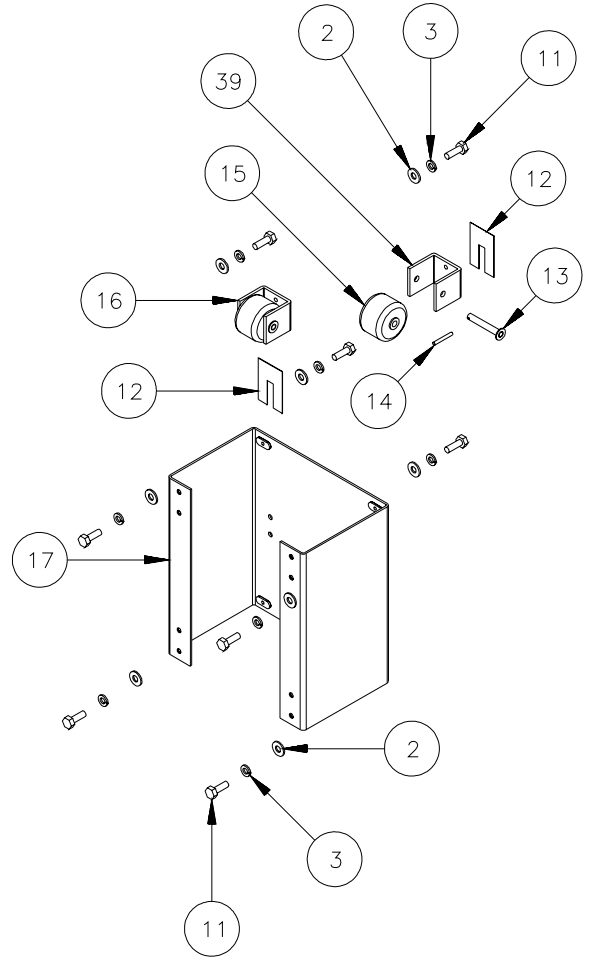
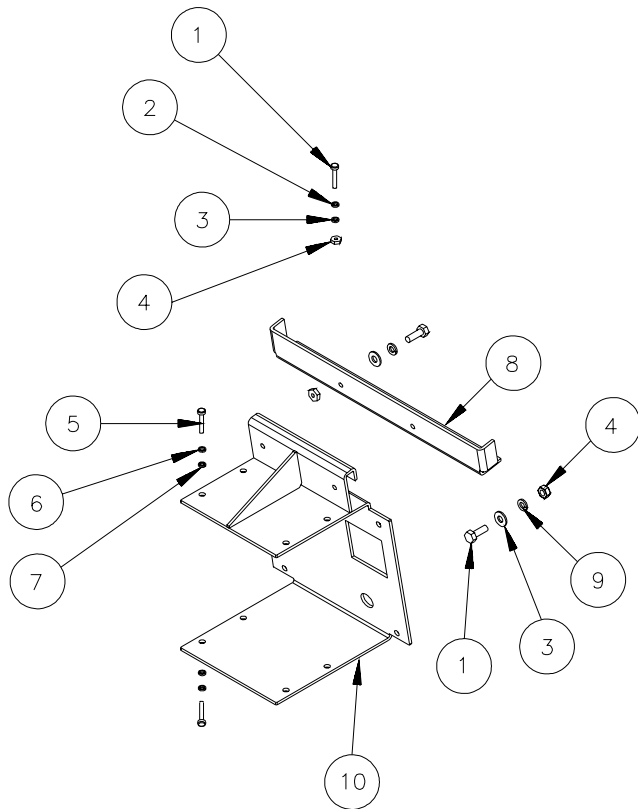
Ref	Part Number	Description
1	6-2298	Bolt 5/16"-24 X 2 3/4" Torx G8
2	6-0774	Coupling Sae 9t-20/40 1.260"
3	6-2158	Seal Shaft 0.500" X 1.00" X 0.25"
4	6-2299	Motor Ac Psc #613000 115/230 1 Hp 1ph Blk
5	6-2159	Washer 0.338" X 0.625" X 0.060" Steel
6	6-2300	Cordset 16/3 Sjo 8ft 115v Plug
7	6-2301	Package Plug 9/16" Sae
8	6-2162	Plumbing Magnet
9	6-1089	Relief Valve Cap Assembly
11	6-2302	Electric Stakon Nut
12	6-2165	Cover Ass'y Suction
13	6-2164	Screw Taptite M6x1.0 12mm Torx
14		Nameplate, Serial
15	6-2155	Endhead Universal Autohoist
16	6-2303	Electric Cord Grip 3/4" Npt
17	6-2304	Electric Pipenut 3/4"
18	6-1087	Valve Cartridge Check
19	6-2305	Valve Load Delay
20	6-2167	Nut 3/4"-16 X 1" Hex X 0.250 Steel
21	6-2168	Wasaher 3/4" Int. Tooth Lock
22	6-0776	Bracket Handle Ass'y Rel Black
23	6-2153	Compression Tube Nut
24	6-2169	Bolt M6 X 1.0 35mm Soc Hd
25	6-2170	Washer 1/4" Lock Hi-collar
26	6-1091	Bolt #12-24 X .50 Hex Wshrh
27	6-0875	O-ring 2-348 Buna
28	6-2165	Cover Assy Suction
29	6-2306	Pump Ass'y 0.8 Short Spline
30	6-2307	Tank Plastic 6.7 Ct 11.0" Black
31	6-2151	Spring 0.480" X 0.063" X 0.42" Comp
32	6-2157	Plumbing Plug 5/16" Sae
34	6-2308	Plumbing Ass'y Inlet 6.61 (3)
35	6-0880	Valve Cartridge Release Manual
36	6-2564	Relief Assembly
37	6-2154	Compression Tube Sleeve
38	6-2310	Return Hose 3/8" Od X 10.0"
39	6-2161	Plumbing Plug 3/8"Npt
40	6-2311	Electric Reducer Washer
41	6-2156	Wiring Assembly Ac 1ph Fenner
42	6-2136	Label Installation Autohoist
43	6-1376	Breather Cap & Bladder
NS	6-1093	Elbow 1/4" Jic-9/16" SAE

# CABLE / HYDRAULIC



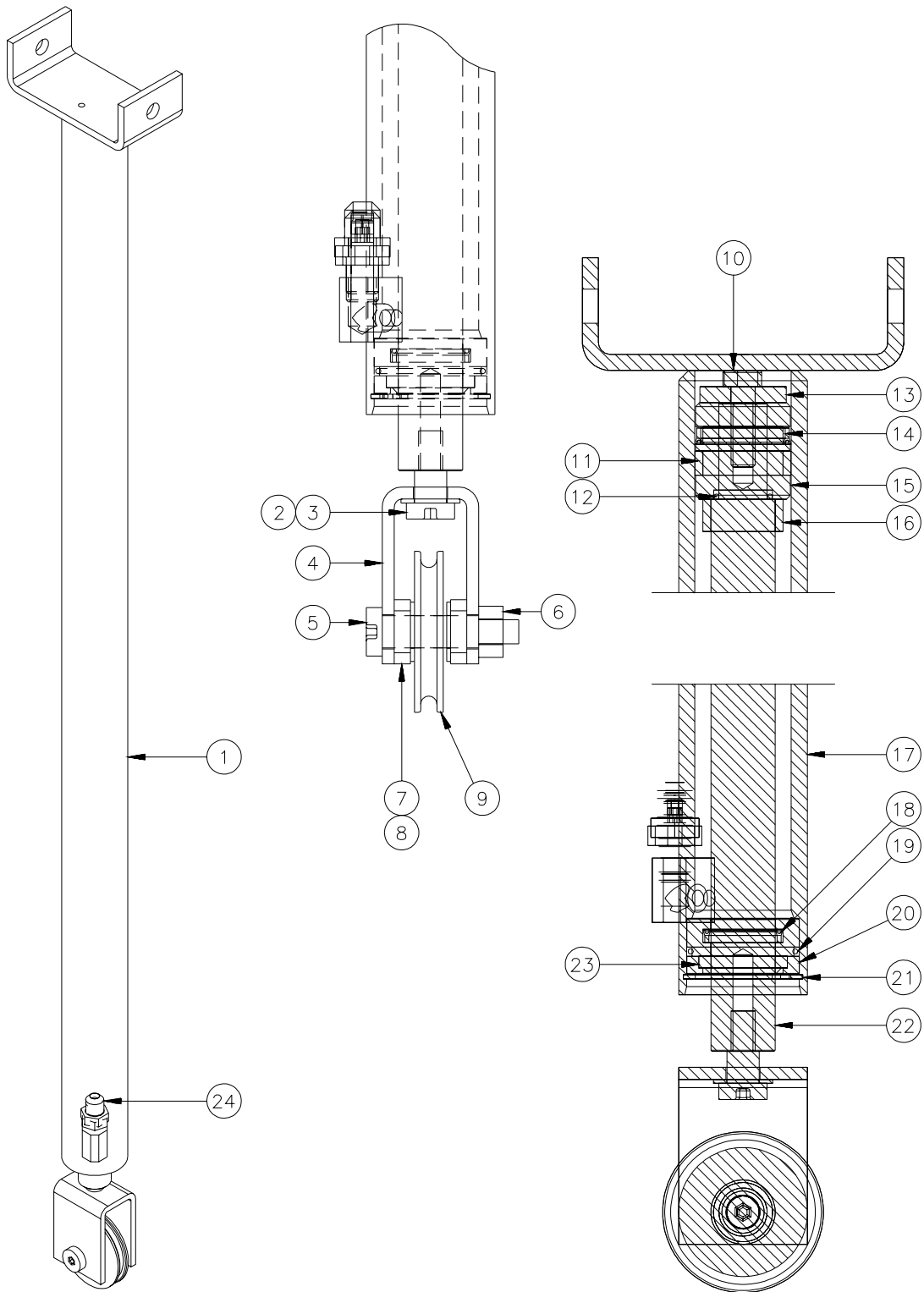
Ref	Part Number	Description
1	1-2459	Cable Spacer
2	1-2451	Cable Assembly
3	6-0032	1/4"-20 Nut
4	2-1863	Hydraulic Tube Assembly

# CAMERA HANGING BRACKETS



Ref	Part Number	Description
1	6-0008	1/4"-20 X 1" Hex. Hd. Bolt
2	6-0060	1/4" Flat Washer
3	6-0056	1/4" Lock Washer
4	6-0032	1/4"-20 Nut
5	6-0423	5/16"-18 X 3/4" Hex Hd. Bolt
6	6-0674	5/16" Lock Washer
7	6-0295	5/16" Flat Washer
8	2-176101	Angle Support Bracket
9	6-0626	1/4" I.D. Fender Washer
10	3-082001	Mounting Cover Plate
11	6-0178	1/4"-20 X 3/4" Hex. Hd. Bolt
12	6-1900	Shim (#22 Ga.)
13	1-1836	Roller Pin
14	6-0267	1/8" X 1" Cotter Pin
15	6-1821	Duratex Wheel
16	2-1558	Roller Assembly
17	3-071001	Cradle

# HYDRAULIC CYLINDER

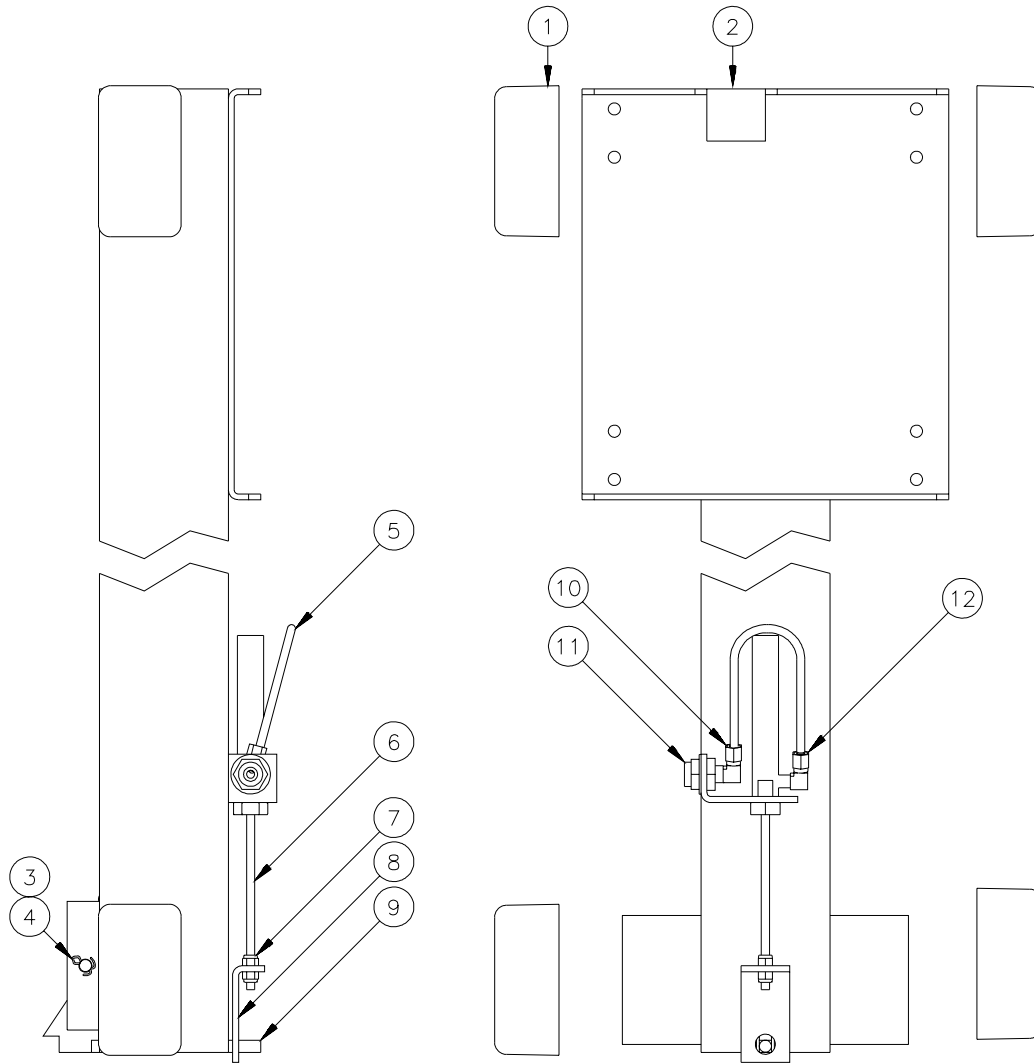




## HYDRAULIC CYLINDER

Ref	Part Number	Description
1	4-097601	Cylinder
2	6-0053	1/2"X1/2" Shoulder Bolt
3	6-0419	Thrust Washer
4	1-228401	Pulley Mount
5	6-2544	1/2"X1 1/2" Shoulder Bolt
6	6-0042	3/8" Nylon Lock Nut
7	1-0228	Spacer
8	6-0419	Thrust Washer
9	6-1819	Pulley
10	6-0666	3/8"X1 1/4" GR. 8 Hex Head Bolt
11	6-2324	Wear Ring
12	6-2325	'O' Ring
13	1-2279	Piston Retainer Washer
14	6-2323	Piston Seal
15	1-2230	Piston
16	1-2278	Cylinder Spacer
17	4-0975	Cylinder Tube
18	6-2329	Rod Seal
19	6-2328	'O' Ring
20	1-2277	Guide Ring
21	6-2322	Internal Retaining Ring
22	1-2382	Piston Shaft
23	6-2330	Rod Wiper
24	1-2461	Flow Control

# LIFT SLIDE ASSEMBLY



Ref	Part Number	Description
1	2-0772	Slider Block
2	4-097401	Slide
3	1-2460	Safety Pin
4	6-0267	1/8" Cotter Pin
5	8-0141	1/4' Polytube (Specify Length)
6	6-0651	Pneumatic Cylinder
7	6-1563	1/4"-28 Nylon Locking Nut
8	1-246401	Safety Angle
9	2-186101	Safety
10	6-1904	1/4" Poly - 1/4" M Npt Elbow Adapter
11	6-0713	Short Terminal Bolt
12	6-0709	1/4" Poly - 1/8" M Npt Elbow Adapter

## PARTS IN ALPHABETICAL ORDER

Description	Part Number
* Screw - BHCS, #8 - 32 X 1/2 Hs	01101573000
* Screw - BHSOC HCS, 5/16 - 18 X 1	01187798000
* Washer - Flat, 3/8 Obs/02j0420	01107383000
* 'O' Ring	6-2325
* 'O' Ring	6-2328
* 1/4" I.D. Fender Washer	6-0626
* 1/4" NPT Coupler	6-0215
* 1/4"-28 Nylon Locking Nut	6-1563
* 1/2" Flat Washer	6-0248
* 1/2" Lock Washer	6-0059
1/2" X 4 1/2" Wedge Anchor (C/W F.W. & Nut)	6-0140
* 1/2"X1/2" Shoulder Bolt	6-0053
* 1/2"X1 1/2" Shoulder Bolt	6-2544
* 1/2"X1 3/4" LG. HEX HEAD BOLT	6-0047
1/16" Thick Shim	6-0739
1/4' Polytube (Specify Length)	8-0141
* 1/4" Flat Washer	6-0060
* 1/4" Lock Washer	6-0056
1/4" Poly - 1/4" M Npt Elbow Adapter	6-1904
1/4" Poly - 1/8" M Npt Elbow Adapter	6-0709
* 1/4"-20 Nut	6-0032
* 1/4"-20 X 1" Hex. Hd. Bolt	6-0008
* 1/4"-20 X 3/4" Hex. Hd. Bolt	6-0178
* 1/4" M Npt – 1/8" M NPT Adapter	6-1382
1/4" Poly – 1/8" M NPT Adapter	6-0708
* 1/8" Cotter Pin	6-0267
1/8" Thick Shim	6-0740
* 3.5mm Rivscrew	1-15258
3/8" - 1/4" JIC Reducer	6-0974
* 3/8" Nylon Lock Nut	6-0042
* 3/8"X1 1/4" GR. 8 Hex Head Bolt	6-0666
* 3/8" Flat Washer	6-0062
* 3/8" Lock Washer	6-0058
* 3/8" Nut	6-0034
3/8"X2 1/4" Wedge Anchor (C/W F.W. & Nut)	6-1571
* 3/8"X2 3/4" Lg. Hex Head Bolt	6-0730
* 3-Way Valve Assembly	6-2506
* 5/16" Flat Washer	6-0295
* 5/16" Lock Washer	6-0674
* 5/16"-18 X 3/4" Hex Hd. Bolt	6-0423
* 5/16" Nut	6-0294
* Access Panel	EAS2057P27A
* Adapter - Hub	EAA0256J02A
* Adapter - Rim Clamp	EAA0256J01A
Alloy Universal Camera Wheel Clamp	EAK0222J30A
* Angle Support Bracket	2-176101
ATX Power Supply	00089490000
* Bag - Cotton, 8 X 16 #29 - 13	00055414000
Bar Sub Ass'y - Calibration	00063696000
Bar Weldment - Calibration,V3D	00089203000
Base for 19" Monitor	3-00908A01
* Base Weldment Trolley Assembly	EAS2040P72A
* Base Wldmt - SUN/JBC Aligner	EAA0287J96A
Battery - AA, 1.5V Alkalyne	01122063000

<b>Description</b>	<b>Part Number</b>
* Bearing - Radial Ball	1-02463A
Bearing - Target, Front / Rear	00089456000
Belt ASM. Arago	EAA0287J73A
* Bezel Front Remote Black	EAC0055J92A
* Bolt - Anchor (61750)	8-02440A
* Bolt - Eye W/ Nut	1-01830A
* Bolt - HH 3/8 - 16 X 5 Zn	1-02115A
* Bolt - Shoulder, 1/4 X 1/4 10 - 32	1-01516A
* Bolt #12-24 X .50 Hex Wshrhd	6-1091
* Bolt 5/16"-24 X 2 3/4" Torx G8	6-2298
* Bolt Assy	EAS2022J77A
* Bolt M6 X 1.0 35mm Soc Hd	6-2169
* Bottom Cover Assy	EAS2057P32A
* Bracket - Hinge, Lower	EAS2022J60A
* Bracket - Hinge, Top	EAS2022J73A
* Bracket - Monitor, Rear LH	EAS2048J44A
* Bracket - Monitor, Front Asm.	EAS2048J41A
* Bracket - Monitor, Rear RH	EAS2048J42A
* Bracket - Motor	EAS2051P81A
* Bracket - Pulley	EAS2048J21A
* Bracket - Shield,Connecting	EAS2022J59A
* Bracket Handle Ass'y Rel Black	6-0776
* Bracket Pulley Double	EAS2048J65A
* Bracket, Target - LH	EAS2051P60A
* Bracket, Target - RH	EAS2051P61A
Breather	6-0183
* Breather Cap & Bladder	6-1376
Bulkhead Elbow 3/8" JIC	6-0012
* Bumper - Rubber,Recessed 1 X 5/8	01122379000
* Bumper Stop	8-09518A
* Cabinet Assy - Economy V3D	EAA0287J93A
* Cable - 3 - 32	8-03631B
* Cable - Link Wire	EAW0243P25A
Cable - Printer	00083055000
Cable Ass'y - Head	00083113000
* Cable Assembly	1-2451
Cable Assy - Common Long	EAW0235J23A
Cable Assy - Common Short	EAW0235J24A
Cable Assy - IVS Camera Control	EAW0235J07A
Cable Assy - IVS Camera Video	EAW0235J05A
Cable Assy - USB	EAX0040J00A
Cable Assy - Video Long	EAW0235J21A
Cable Assy - Video Short	EAW0235J22A
Cable Assy, 16 way to 16 way IDC	EAW0243P17A
Cable Assy, 3 Way Power Cable	EAW0243P20A
Cable Assy, 6 way to 6 way Power Cable	EAW0243P16A
Cable Assy, Arago Db15 To Hdr14	EAW0259P00A
Cable Assy, Arago Motor Control	EAW0259P02A
Cable Assy, Arago Motor Drive	EAW0259P01A
* Cable Spacer	1-2459
* Cable Tie - 11.38" Clear	5-05145A
* Caddy Base Label	EAL0345P45A
* Caddy Handle Assembly	EAS2040P81A
Camera Beam - V3D	00089245000
* Camera Beam Assy - Shpmt, IVS	EAA0256J91A
* Cap	6-1884

<b>Description</b>	<b>Part Number</b>
* Cap - Hub	EAA0256J03A
* Carton	00089319000
Caster - Swivel 5"	8-23239A
Caster - Swivel 5" W/Brake	8-23139A
* Caster Bracket Assy	EAS2022J25A
Castor Swivel	8-22039A
Castor Swivel Braked	8-22139A
* Catch - Magnetic, Medium	8-03642A
* Clamp - Cable .625 Dia Bundle, Blk	01122363000
* Clamp - Cable U - Bolt	8-09219A
Clamp Ass'y - Wheel, Steering	00055502000
Clampdog - Monitor	EAM0007J35A
Coil Hose	6-0337
* Compression Tube Nut	6-2153
* Compression Tube Sleeve	6-2154
* Connector Bracket Assy	EAS2024P63A
Cord - Power, Adapter, 12"	00089209000
* Cordset 16/3 Sjo 8ft 115v Plug	6-2300
* Coupling Sae 9t-20/40 1.260"	6-0774
* Cover - Camera Beam	00089259000
* Cover - Front Center	00089260000
* Cover - Front, Camera Beam	EAS2022J14A
* Cover - Main, IVS	EAS2022J68A
Cover - Pod, 1 Hole (Mch)	EAM0007J28A
Cover - Pod, 2 Hole	EAM0007J29A
Cover - Pod, Plain	EAM0016J74A
Cover - Pod, Rect.hole	EAM0007J30A
* Cover - Seal, Remote	00086262000
* Cover - Top Motorized	EAS2057P33A
* Cover Assy	EAS2024P66A
* Cover Assy - Power Inlet	EAS2040P22A
* Cover Assy Suction	6-2165
* Cover Limit Switch	EAS2057P39A
* Cover Pulley RH	EAS2048J66A
* CPU Door Assy	EAA0287J88A
* CPU Tray Assy	EAS2040P19A
* Cradle	3-071001
* Cross Bar Center Assy	EAS2024P33A
* Cross Bar Rear Assy	EAS2040P27A
* Cylinder	4-097601
* Cylinder Mounting Block	1-2447
* Cylinder Mounting Pin	1-2446
* Cylinder Spacer	1-2278
* Cylinder Tube	4-0975
Decal - Keyboard, Function Keys	00088716000
* Decal Kit - V3D	EAK0222J03A
* Decal-JBC,Remote Display	00081226000
Depressor Ass'y - Pedal	00000096000
* Desktop Assy	EAA0256J24A
* Drawer Slide Ball Bearing 17"	8-2388AL
* Drawer Slide Ball Bearing 17"	8-2388AR
Drive - Floppy, 1.44mb, 3.5"	00086016000
Drive Kit - CD (EEWA531A)	2-32666A
Drive Kit - DVD	00089715000
* Duct - Latching, Pandiut 1/2 X 1	01101891000
Duratex Wheel	6-1821

<b>Description</b>	<b>Part Number</b>
* Elbow ¼" Jic-9/16" SAE	6-1093
* Electric Cord Grip ¾" Npt	6-2303
* Electric Pipenut ¾"	6-2304
* Electric Reducer Washer	6-2311
* Electric Stakon Nut	6-2302
* Endhead Universal Autohoist	6-2155
Extension Adaptor Kit	EAK0222J27A
Fan Kit - Celeron Motherboard	2-04068A
* Flange, Mount Press Bearing	1-02863A
* Flow Control	1-2461
* Footrest Assy	EAS2040P26A
* Front Printer Drawer	EAC0055J40A
Front Rim Clamp Assy'	00089453000
Fuse - 5A, Slo	2-18451A
Fuse Holder	2-15651A
Gripper Shoe Kit, Shaped (Alloy WC)	EAK0222J24A
Gripper Shoe Kit, Short ( Alloy WC)	EAK0222J22A
* Grommet	01122121000
* Grommet - 3/16ID X 9/16OD,Blk	8-08216
* Grommet Feet	8-08616
* Guide Ring	1-2277
Gusset - Tower Base	1-04484A
* Halyard Clamp	2-09157A
* Handle - Rotation, Cam	EAS2022J74A
* Hanger Bracket	EAS2040P20A
Hard Drive-premium, 3 1/2 Ide	00089696000
* Head Bracket – V3D	EAS2040P15A
Headset Assy - Voice Control	2-29666A
* Headset Base / Belt Pk Dom	2-29466A
* Hinge Latching Left	8-23536A
* Hinge Latching Right	8-23536B
* Hook - Remote	00086180000
* Housing - IVS, Main	EAS2022J67A
* Hydraulic Hose	6-2319
Hydraulic Tube Assembly	2-1863
* IEC Inlet (Filter)	2-40248A
IEC Power Block 7 way	EAA0261P60A
* Inner Pack - Acc'y Kit, V3D	00089355000
* Insert - Brass 240 - 332	01122438000
* Insert - Brass 240-332	1-10379A
Insert - Thread,LH	00089410000
Insert - Thread,RH	00089411000
* Installation Instr - Headset	TEAK0222J17A0
Interconnect PCB	EAP0216P00A
* Internal Retaining Ring	6-2322
IVS Camera Pod Assy	EAK0222J52A
Keyboard	00088717000
* Keyboard Shelf Assy	EAS2051P50A
* Keyboard Tray	EAC0055J47A
Kit, Hub Pins For Mercedes-Benz & BMW	EAK0222J28A
* Knob - Modified	EAC0055J94A
* Knob - RD,Knurled,10 - 24	01122370000
* Label - Caution	EAL0343J64A
* Label - Caution, Elect	00111245000
* Label - caution,Electrical Shock	01122651000
* Label - Code Electrical	EAL0343J46A

<b>Description</b>	<b>Part Number</b>
* Label - Elect/Serial, V3D C.B.	00088647000
* Label - Electrical Warning	EAL0345P54A
Label - F Keys	00086804000
* Label - Fuse 1a	EAL0345P53A
* Label - Fuse 3a	EAL0345P52A
* Label - RH/LH, Arago3	EAL0343J48A
* Label - Warn.patent	EAL0343J53A
* Label - Warning, Explos.	00111243000
* Label - Warning, Shock	00086465000
* Label Installation Autohoist	6-2136
* Label-elec/Serial,Desktop	00088927000
Label-shut Down, Windows	00089518000
* Left Side Panel Assy	EAS2040P00A
LF Target / Clamp Assy'	00089559000
* Link Wire Blue	EAW0243P23A
* Link Wire Brown	EAW0243P22A
* Link Wire Ground to Ground	EAW0243P26A
Literature Pack - V3D2,Pro32	00089219000
* Lockwasher - #10	1-646
* Lockwasher - #4, Zinc	1-546
* Lockwasher - Int, Zinc 1/2	2-6138-1
Long Gripper	EAK0222J23A
LR Target / Clamp Assy'	00089560000
* M3 Washer	1-12941
* M3 x 12 Screw Pan Head	1-18206A
* M3 x 6mm screw	1-19306A
* M4 Star Washer	1-2648
* M4 X 12mm Socket HD Screw	1-38909a
* M4 x 20 Pan Head Screw	1-14106
* M5 X 12mm Screw	1-16006
* M6 X 12mm Screw	1-25806
* Mat Footrest	EAL0343J26A
Memory - Module - Dimm, 128m, PC133	3-107816A
Memory Module-dimm,64m	3-85316
Modem Internal Pci 56k	2-30066
Monitor Multimedia, 17"	00088276000
Monitor Multimedia, 19"	3-00908
Motherboard - ATX, S370 - Built in Video & Sound	2-34066A
Motherboard - ATX, S370 Without Video & Sound	2-30166
Motor - Gear Drive	2-36466A
* Motor Ac Psc #613000 115/230 1 Hp 1ph Blk	6-2299
Mount - Spindle, Tube Support	00089412000
* Mounting Cover Plate	3-082001
Mouse	00086796000
Mouse Pad	EAL0343J25A
Network Card-combo 10 Mbps	00089291000
* Nut	6-2506NUT
* Nut - ESNA, M4	1-01737A
* Nut - ESNA, M6 X 1mm	1-01637A
* Nut - Hex 1/4-28 Zinc	1-18333A
* Nut - Hex M12x1.75, 12 mm	1-16133
* Nut - Hex, 1/2 - 13 UNC - 2B Cad / Zn	1-933
* Nut - Hex, 10 - 32, Zinc	1-333
* Nut - Hex, 10-32, Zinc	1-133
* Nut - Hex, 2n 8 - 32	1-233
* Nut - Hex, 5/8 - 11 UNC - 2B Cad / ZN	01121513000

Description	Part Number
* Nut - Jam, 1/2-28, Brass	2-6138-2
* Nut - Kep Hex 1/4 X 20	1-7433
* Nut - Keps, #4 - 40 Cd/Zn	01122109000
* Nut - Keps, #10 - 32 Unf - 2b Cd/Zn	1-7133
* Nut - Keps, 3/8 - 16	1-8133
* Nut - Lock, Nylon Insert 5/16 - 18	1-1337
* Nut - Stop, 1/4 - 20 Unc - 2b Cad	01101609000
* Nut - Thumb, M6 - 96115a460	1-01736A
* Nut 3/4"-16 X 1"Hex X 0.250 Steel	6-2167
* Nut M4	1-9733
* Nut M5	1-9833
* Nut/Lockwasher - 4 - 40 Zinc	1-6933
* Nylon Round Standoff 3/4"	1-5962
* O - Ring 1 3/4 X 2 1/8 X 3/16dia	8-08214A
* O-ring 2-348 Buna	6-0875
* Package Plug 9/16" Sae	6-2301
* Panel - Rear Remote Black	EAC0055J91A
* Panel Assy - Back	EAS2024P68A
* Panel Assy - Side, LH	EAS2024P91A
* Panel Assy - Side, RH	EAS2024P85A
Paper - Printer, Laser	00088910000
PC - Dell	3-02806A
PC ASSY-UATX DESKTOP (With CD)	EAA0287J82A
PC ASSY-UATX DESKTOP (With DVD)	EAA0287J81A
* PC Back Cover Assy	EAS2040P24A
PCB - Arago Motor Control	EAP0196J14A
PCB Ass'y - Remote	00086185000
PCB Assy - IVS Processor	EAP0196J70B
PCB Assy - IVS Processor 3 Channel	EAP0238J00A
* Pin - Clevis W/Retaining Ring	1-01255A
* Pin - Coiled Spring 1/16 X 3/4	01122571000
* Pin - Roll, .156 X 1 ESNA	1-19252A
* Piston	1-2230
* Piston Retainer Washer	1-2279
* Piston Seal	6-2323
* Piston Shaft	1-2382
* Pivot - Base, Black	EAC0055J90A
* Plate - Base, Tower	EAS2022J71A
* Plate - Cover, Hook	00086183000
* Plate - Cover, Lead Screw	00089457000
* Plate - Elect., Dual	EAS2022J65A
* Plate - Hole Cover Cam. Bm IVS	EAS2022J81A
* Plate - Monitor, Pivot Asm	EAS2048J47A
* Plate - Rim Clamp Adapter	EAA0256J04A
* Plate - Rotation	EAS2022J72A
* Plug - Hole, IR Head Cover	01122254000
* Plug - Hole,Dome Snap In411	01122319000
* Plug - Poly,Blk, (Fits 1.12 ID)	01122491000
* Plug - Pry Out, .75 Dia	01122409000
* Plumbing Ass'y Inlet 6.61 (3)	6-2308
* Plumbing Magnet	6-2162
* Plumbing Plug 3/8"Npt	6-2161
* Plumbing Plug 5/16" Sae	6-2157
Pneumatic Cylinder	6-0651
Pod Assy, Common - Motor	EAA0287J68A
Pod Assy, Left	EAA0256J76A



<b>Description</b>	<b>Part Number</b>
Pod Assy, Right	EAA0256J77A
Porsche Adaptors	EAK0222J20A
Power Cord - 3 Cond IEC - 301	00088635000
Power Cord/Label Ass'y, 115v	00088931000
Power Supply 10V 40W	2-37666A
Power Supply, IVS	EAE0049J14A
Printer - Color, Inkjet	00089168000
Printer Color	00089173000
* Printer Drawer	EAS2048J31A
* Printer Drawer Assy	EAA0287J90A
* Printer Drawer Back	EAS2022J19A
Processor - AMD Duron	3-62411A
Pulley	6-1819
Pulley Lp	1-07284A
* Pulley Mount	1-228401
Pulley Timer Belt	1-07484A
* Pump Ass'y 0.8 Short Spline	6-2306
* Push Button	6-2506PB
* Rail Drawer Left	EAS2040P08A
* Rail Drawer Right	EAS2024P03A
Rear Rim Clamp Assy'	00089452000
Receiver Assy remote	EAA0256J28A
Receiver only	EAA0272J20A
Receptacle - Cord, Power	2-37348A
* Relief Assembly	6-2564
* Relief Valve Cap Assembly	6-1089
* Remote Bracket Assy	EAS2040P14A
Remote Cable (Cable leading to HIB PCB)	EAW0243P10A
Remote Control	00088690000
* Return Hose 3/8" Od X 10.0"	6-2310
RF Target / Clamp Assy'	00089454000
* Right Side Panel Assy	EAS2040P01A
Rim Clamp/Target Set	00089556000
Rim Claw - Long,4.37	00088797000
Rim Claw - Short,3.00	00088794000
* Ring - Retaining	1-2777
* Ring - Snap Rotor Chip Re-50	1-14577A
* Rivet - 4.8mm Blk	1-15158A
Rocker Switch ON/OFF	2-12258A
* Rod Seal	6-2329
* Rod Wiper	6-2330
* Roller Assembly	2-1558
* Roller Pin	1-1836
RR Target / Clamp Assy'	00089455000
* Rubber Feet	8-08018A
* Safety	2-186101
* Safety Angle	1-246401
* Safety Pin	1-2460
* Screw - PHMS, #6 - 32 X 5/8 PHL BL	01101731000
* Screw - 1/4 - 20 X 1/4 Nylon Tip	01122642000
* Screw - 10 - 32 X 1 3/4 PHMS, Zinc	1-4806
* Screw - 4-40 X 1/4 PHMS - ZN	1-1906
* Screw - BHCS, #8 - 32 X 1.0	01122106000
* Screw - BHCS, #8 - 32 X 1/4 Hs	01101740000
* Screw - BHCS, #8 - 32 X 3/8 Hs	01101554000
* Screw - BHCS, 1/4 - 20 X 1 1/4 Hs	01101777000

<b>Description</b>	<b>Part Number</b>
* Screw - BHCS, 10-32 X 1/2,Zinc	1-42409A
* Screw - BHCS, 8 - 32 X 1 3/4	1-41209
* Screw - BHCS, 8-32 X 1 Zn	1-43709A
* Screw - BHCS,1/4 -20 X 5/8	1-2509
* Screw - Camera Box Mount	00089243000
* Screw - FBHCS, 5/16 - 18 X 5/8	1-44109A
* Screw - Hhcs 5/8 - 11 X 1 1/2	01100355000
* Screw - HHCS, 1/4-20 X 1 1/2 PI	01103184000
* Screw - HHCS, M8 X 20mm	1-13501A
Screw - Lead,Wheel Clamp	00089408000
* Screw - M5 X 12mm Pan HD, Blk	1-16006A
* Screw - Pan Hd, M4 X 12mm	1-29906A
* Screw - PHM 6-32 X .375 Phil	1-28306A
* Screw - PHMS 4 - 40 X 1/4	1-30606A
* Screw - PHMS, #10 - 32 X 5/8 Phl B	01122066000
* Screw - PHMS, 8 - 32 X 1/4	1-3006
* Screw - RHMS, #4 - 40 X 3/4 Phl	01115607000
* Screw - Self Tap 8-32 X .375	1-07724A
* Screw - Self Tap 8-32 X .375	1-8626
* Screw - Set, #10 - 32 X 5/8 HS Cup	01112969000
* Screw - Set, #10-32 X 5/8 Hs Cup	1-48610A
* Screw - Shcs, #10 - 24 X 3/8 PI	01112276000
* Screw - SHCS, 10 - 32 X 1/2, Zinc	1-42709A
* Screw - SHCS, 6 - 32 X 3/8 BTN Hd	1-2609
* Screw - Shoulder 1/4 - 5/16, 10 - 32	1-01611
* Screw - Sif Tp, 8 - 18 X 1/2, Blk	1-07424A
Screw Ass'y - Clamp, Head Lock	00083258000
* Screw Flat Head M3 x 10	1-11103
* Screw- Set, 5/16 - 8 X 3/4 HS Cup	01103475000
* Screw Taptite M6x1.0 12mm Torx	6-2164
* Screw, Hex M8 x 20 ST/FT, Black	1-15501A
* Screw, Pan HD #10 - 24 X 7/8	1-23306A
* Screw, Pan M4 x 10 ST/FT, Black	1-20106A
* Screw, Pan M5 x 12 ST/FT	1-20906A
Screwdriver - 8" Long	01122380000
* Screw-SHCS, 5/16-18 X 1	01102353000
* Seal - Strip, 1/16 X 1/4	00985268000
* Seal Shaft 0.500" X 1.00" X 0.25"	6-2158
Shaft - Adapter, Long	EAM0007J38A
Shaft - Adapter, Short	EAM0007J37A
* Shaft - Foot Adj	00088853000
Shaft - Rotation, Handle	EAM0007J32A
* Shelf Assy - PC	EAS2024P57A
* Shelf Assy - USB HIB	EAS2040P06A
* Shield - Base Tower, Front	EAS2022J57A
* Shield - Base Tower, Rear	EAS2022J58A
* Shim (#22 Ga.)	6-1900
Shoe Kit - Tapered, (Alloy Wc)	EAK0222J21A
Shoe Kit, Extensions (Alloy WC)	EAK0222J25A
* Short Center Mount Kit	00089313000
* Short Dual Mount Kit	00089311000
* Short Terminal Bolt	6-0713
* Slide	4-097401
* Slide Car Wldmt	EAC0055J59A
Slide Pad	1-04584A
* Slide Pad 2	1-06884A

Description	Part Number
* Slider Block	2-0772
Slow Blow Fuse 3A	2-7051
Slow Blow Fuse 8A	2-7151
* Software - Mitchell Undercar	00089226000
* Software - Norton Utilities	3-00128
Software Ass'y - JBC Prem W/Ns	00089565000
Software Kit - Windows XP	EAK0256J23A
Sound Card - PCI	00089693000
* Spacer	1-0228
* Spacer	EAC0079J08A
* Spacer - Nylon	1-11462A
* Spacer - Nylon 3/8 X .194 X .5	1-09662A
* Spacer - Round	1-09562A
* Spacer - Threaded #4 - 40x1	01122255000
* Spacer - Threaded,6-32 X 1/2	1-5361
* Spacer Short	EAC0079J07A
* Spindle - 2.00I X .50dia	00089413000
* Spring - Anchor	1-03767A
* Spring - Compression	01122372000
* Spring - Extension	1-03667A
* Spring 0.480" X 0.063" X 0.42" Comp	6-2151
* Stand	2-1852
Stand - Calibration	00084102000
* Standoff 4 - 40 X 1" M/F	1-11761A
Stop Bolt Assy	1-04684A
* Strain Relief, Heyco	8-3916
* Striker Plate	EAS2018R78A
Stud - Anchor, 1/2 - 13 X 3-3/4	00061750000
Stud - T Slot	1-08984a
Support - Base, Long	00088559000
Support - Base, Short	00088558000
Support - Receptacle(alum/Extr	00083327000
Support Column - Short (27.25)	00089307000
Support Column - Tall (41.75)	00089308000
* Support Side Cabinet	EAC0055J38A
Switch - Limit	2-01763A
Switch - Membrane, Remote Pro32	EAA0287J60A
* Switch Accessory	2-29466A01
* Tall Center Mount Kit	00089312000
* Tall Dual Mount Kit	00089310000
* Tank Plastic 6.7 Ct 11.0" Black	6-2307
Tape - Hook Velcro, #88	5-10426A1
Tape - Loop Velcro, #1000	5-10426A2
Target Sandwich - Front	EAA0287J62A
Target Sandwich - Rear	EAA0287J63A
* Thrust Washer	6-0419
* Tie Wrap	5-845
T-Nut Double 5/16-18	1-04284A
* Tool - Lock Nut, 3/8 Hex	00088623000
* Tower	4-097301
* Tower - Extrusion, Heavy	5-00220A
* Trim - Lock,62B7 X 1/16	01122654000
* Trolley Hook	EAS2040P73A
* Trolley Spacer Clamp Offset LHS	EAS2040P79A
* Trolley Spacer Clamp Offset RHS	EAS2040P75A
* Trolley Spacer Lower Offset LHS	EAS2040P83A

Description	Part Number
* Trolley Spacer Lower Offset RHS	EAS2040P82A
* Trolley Top Plate	EAS2040P77A
* Trolley Upright Weldment	EAS2040P80A
* Tube Ass'y - Rod Retention Plate	00089539000
Undercar Scooter Adjustment Chair	00088634000
* USB Base Assy'	EAS2024P64A
USB HIB Final Assy	EAA0261P40A
USB HIB PCB Assy	EAP0196J80A1
USB HIB Shelf Assy	EAA0256J57A
* Valve Body	6-2506VB
* Valve Cartridge Check	6-1087
* Valve Cartridge Release Manual	6-0880
* Valve Load Delay	6-2305
Video Card - AGP	00089487000
Voice Align Kit	EAK0222J17A
* Wall/Stand Mount Assembly	2-1864
* Wasaher ¾" Int. Tooth Lock	6-2168
* Washer - .191 ID X .620 Dx .06, Thk, St	1-18341A
* Washer - Flat	1-11944A
* Washer - Flat	1-18741A
* Washer - Flat, 1/4 Obs02j0703a	01107381000
* Washer - Flat, Nylon	01122107000
* Washer - Flat, Nylon	01122108000
* Washer - Flat, 1/2 1 1/16 O X 17/32	01107385000
* Washer - Flat, 5/8 1 3/4 OD X 11/16 ID	01100266000
* Washer - Lock Int / Ext, 1/4 Zn	01187612000
* Washer - Lock, Int #6	1-147
* Washer - Lock, Split	1-446
* Washer - M5, Int Tooth	1-4647
* Washer - Nylon	1-12944A
* Washer - Nylon, .375od X .171id	01122122000
* Washer - Nylon, .38 OD	1-4044
* Washer - Shoulder	1-01843A
* Washer - Shoulder, 3/4	01122630000
* Washer - Spring, .27 Id X .5	01122110000
* Washer - Spring, 3/8 Rod / Screw	1-02843A
* Washer - Steel, .745OD X .510ID	1-21041A
* Washer - Thrust, 1/16t X 1/2ID X 3/4	1-02943A
* Washer - Wave	1-01943A
* Washer 0.338" X 0.625" X 0.060" Steel	6-2159
* Washer ¼" Lock Hi-collar	6-2170
* Washer Plain M4	1-11341
* Washer, 1/2"	1-1041
* Wear Ring	6-2324
* Weight - Short, Counter	EAS2048J64A
* Weight Counter Arago	EAM0023J00A
Wheel Chock -Inner	00088620000
Wheel Chock- Outer	00088621000
Wheel Clamp - Alloy ( Ar 10"- 21")	EAA0256J62A

**NOTE: PARTS LISTED WITH AN \* OR OTHERWISE NOTED ARE CONSIDERED SPECIAL ORDER PARTS AND MAY NOT BE IN STOCK, OR LISTED, IN THE EQUISERV PARTS SYSTEM UNTIL ORDERED BY A TECHNICIAN. WHEN ORDERING THESE PARTS PLEASE NOTE THAT THESE ARE GOOD PART NUMBERS BUT THE PARTS DEPARTMENT WILL HAVE TO SET THEM UP IN THE SYSTEM BEFORE YOU CAN ORDER ONE AND THEREFORE AN EXTENDED LEAD TIME MAY APPLY.**

## PARTS IN NUMERICAL ORDER

Part Number	Description
0000096000	Depressor Ass'y - Pedal
* 00055414000	Bag - Cotton, 8 X 16 #29 - 13
00055502000	Clamp Ass'y - Wheel, Steering
00061750000	Stud - Anchor, 1/2 - 13 X 3-3/4
00063696000	Bar Sub Ass'y - Calibration
* 00081226000	Decal-JBC,Remote Display
00083055000	Cable - Printer
00083113000	Cable Ass'y - Head
00083258000	Screw Ass'y - Clamp, Head Lock
00083327000	Support - Receptacle(alum/Extr
00084102000	Stand - Calibration
00086016000	Drive - Floppy, 1.44mb, 3.5"
* 00086179000	Window - LED, Remote
* 00086180000	Hook - Remote
* 00086183000	Plate - Cover, Hook
00086185000	PCB Ass'y - Remote
* 00086262000	Cover - Seal, Remote
* 00086465000	Label - Warning, Shock
00086796000	Mouse
00086804000	Label - F Keys
00088276000	Monitor Multimedia, 17"
00088558000	Support - Base, Short
00088559000	Support - Base, Long
00088620000	Wheel Chock -Inner
00088621000	Wheel Chock- Outer
* 00088623000	Tool - Lock Nut, 3/8 Hex
00088634000	Undercar Scooter Adjustment Chair
00088635000	Power Cord - 3 Cond IEC - 301
* 00088647000	Label - Elect/Serial, V3D C.B.
00088690000	Remote Control
00088716000	Decal - Keyboard, Function Keys
00088717000	Keyboard
00088794000	Rim Claw - Short,3.00
00088797000	Rim Claw - Long,4.37
* 00088853000	Shaft - Foot Adj
00088910000	Paper - Printer, Laser
* 00088927000	Label-elec/Serial,Desktop
00088931000	Power Cord/Label Ass'y, 115v
00089168000	Printer - Color, Inkjet
00089173000	Printer Color
00089203000	Bar Weldment - Calibration,V3D
00089209000	Cord - Power, Adapter,12"
00089219000	Literature Pack - V3D2,Pro32
* 00089226000	Software - Mitchell Undercar
* 00089243000	Screw - Camera Box Mount
00089245000	Camera Beam - V3D
* 00089259000	Cover - Camera Beam
* 00089260000	Cover - Front Center
00089291000	Network Card-combo 10 Mbps
00089307000	Support Column - Short (27.25)
00089308000	Support Column - Tall (41.75)
* 00089310000	Tall Dual Mount Kit
* 00089311000	Short Dual Mount Kit
* 00089312000	Tall Center Mount Kit

Part Number	Description
* 00089313000	Short Center Mount Kit
* 00089319000	Carton
* 00089355000	Inner Pack - Acc'y Kit, V3D
00089408000	Screw - Lead, Wheel Clamp
00089410000	Insert - Thread, LH
00089411000	Insert - Thread, RH
00089412000	Mount - Spindle, Tube Support
* 00089413000	Spindle - 2.00I X .50dia
00089452000	Rear Rim Clamp Assy'
00089453000	Front Rim Clamp Assy'
00089454000	RF Target / Clamp Assy'
00089455000	RR Target / Clamp Assy'
00089456000	Bearing - Target, Front / Rear
* 00089457000	Plate - Cover, Lead Screw
00089487000	Video Card - AGP
00089490000	ATX Power Supply
00089518000	Label-shut Down, Windows
* 00089539000	Tube Ass'y - Rod Retention Plate
00089556000	Rim Clamp/Target Set
00089559000	LF Target / Clamp Assy'
00089560000	LR Target / Clamp Assy'
00089565000	Software Ass'y - JBC Prem W/Ns
00089693000	Sound Card - PCI
00089696000	Hard Drive-premium, 3 1/2 Ide
00089715000	Drive Kit - DVD
* 00111243000	Label - Warning, Explos.
* 00111245000	Label - Caution, Elect
* 00985268000	Seal - Strip, 1/16 X 1/4
* 01100266000	Washer - Flat, 5/8 1 3/4 OD X 11/16 ID
* 01100355000	Screw - Hhcs 5/8 - 11 X 1 1/2
* 01101554000	Screw - BHCS, #8 - 32 X 3/8 Hs
* 01101573000	**Screw - BHCS, #8 - 32 X 1/2 Hs
* 01101609000	Nut - Stop, 1/4 - 20 Unc - 2b Cad
* 01101731000	Screw - PHMS, #6 - 32 X 5/8 PHL BL
* 01101740000	Screw - BHCS, #8 - 32 X 1/4 Hs
* 01101777000	Screw - BHCS, 1/4 - 20 X 1 1/4 Hs
* 01101891000	Duct - Latching, Pandiut 1/2 X 1
* 01102353000	Screw-SHCS, 5/16-18 X 1
* 01103184000	Screw - HHCS, 1/4-20 X 1 1/2 PI
* 01103475000	Screw- Set, 5/16 - 8 X 3/4 HS Cup
* 01107381000	Washer - Flat, 1/4 Obs02j0703a
* 01107383000	**Washer - Flat, 3/8 Obs/02j0420
* 01107385000	Washer - Flat, 1/2 1 1/16 O X 17/32
* 01112276000	Screw - Shcs, #10 - 24 X 3/8 PI
* 01112969000	Screw - Set, #10 - 32 X 5/8 HS Cup
* 01115607000	Screw - RHMS, #4 - 40 X 3/4 Phl
* 01121513000	Nut - Hex, 5/8 - 11 UNC - 2B Cad / ZN
01122063000	Battery - AA, 1.5V Alkalyne
* 01122066000	Screw - PHMS, #10 - 32 X 5/8 Phl B
* 01122106000	Screw - BHCS, #8 - 32 X 1.0
* 01122107000	Washer - Flat, Nylon
* 01122108000	Washer - Flat, Nylon
* 01122109000	Nut - Keps, #4 - 40 Cd/Zn
* 01122110000	Washer - Spring, .27 Id X .5
* 01122121000	Grommet
* 01122122000	Washer - Nylon, .375od X .171id

Part Number	Description
* 01122254000	Plug - Hole, IR Head Cover
* 01122255000	Spacer - Threaded #4 - 40x1
* 01122319000	Plug - Hole,Dome Snap In411
* 01122363000	Clamp - Cable .625 Dia Bundle, Blk
* 01122370000	Knob - RD,Knurled,10 - 24
* 01122372000	Spring - Compression
* 01122379000	Bumper - Rubber,Recessed 1 X 5/8
01122380000	Screwdriver - 8" Long
* 01122409000	Plug - Pry Out, .75 Dia
* 01122438000	Insert - Brass 240 - 332
* 01122491000	Plug - Poly,Blk, (Fits 1.12 ID)
* 01122571000	Pin - Coiled Spring 1/16 X 3/4
* 01122630000	Washer - Shoulder,3/4
* 01122642000	Screw - 1/4 - 20 X 1/4 Nylon Tip
* 01122651000	Label - caution,Electrical Shock
* 01122654000	Trim - Lock,62B7 X 1/16
* 01187612000	Washer - Lock Int / Ext, 1/4 Zn
* 01187798000	**Screw - BHSOC HCS, 5/16 - 18 X 1
* 1-01255A	Pin - Clevis W/Retaining Ring
* 1-01516A	Bolt - Shoulder, 1/4 X 1/4 10 - 32
* 1-01611	Screw - Shoulder 1/4 - 5/16, 10 - 32
* 1-01637A	Nut - ESNA, M6 X 1mm
* 1-01736A	Nut - Thumb, M6 - 96115a460
* 1-01737A	Nut - ESNA, M4
* 1-01830A	Bolt - Eye W/ Nut
* 1-01843A	Washer - Shoulder
* 1-01943A	Washer - Wave
* 1-02115A	Bolt - HH 3/8 - 16 X 5 Zn
* 1-0228	Spacer
* 1-02463A	Bearing - Radial Ball
* 1-02843A	Washer - Spring, 3/8 Rod / Screw
* 1-02863A	Flange, Mount Press Bearing
* 1-02943A	Washer - Thrust,1/16t X 1/2ID X 3/4
* 1-03667A	Spring - Extension
* 1-03767A	Spring - Anchor
1-04284A	T-Nut Double 5/16-18
1-04484A	Gusset - Tower Base
1-04584A	Slide Pad
1-04684A	Stop Bolt Assy
* 1-06884A	Slide Pad 2
1-07284A	Pulley Lp
* 1-07424A	Screw - Slf Tp, 8 - 18 X 1/2, Blk
1-07484A	Pulley Timer Belt
* 1-07724A	Screw - Self Tap 8-32 X .375
1-08984a	Stud - T Slot
* 1-09562A	Spacer - Round
* 1-09662A	Spacer - Nylon 3/8 X .194 X .5
* 1-10379A	Insert - Brass 240-332
* 1-1041	Washer, 1/2"
* 1-11103	Screw Flat Head M3 x 10
* 1-11341	Washer Plain M4
* 1-11462A	Spacer - Nylon
* 1-11761A	Standoff 4 - 40 X 1" M/F
* 1-11944A	Washer - Flat
* 1-12941	M3 Washer
* 1-12944A	Washer - Nylon

<b>Part Number</b>	<b>Description</b>
* 1-133	Nut - Hex, 10-32, Zinc
* 1-1337	Nut - Lock, Nylon Insert 5/16 - 18
* 1-13501A	Screw - HHCS, M8 X 20mm
* 1-14106	M4 x 20 Pan Head Screw
* 1-14577A	Ring - Snap Rotor Chip Re-50
* 1-147	Washer - Lock, Int #6
* 1-15158A	Rivet - 4.8mm Blk
* 1-15258	3.5mm Rivscrew
* 1-15501A	Screw, Hex M8 x 20 ST/FT, Black
* 1-16006	M5 X 12mm Screw
* 1-16006A	Screw - M5 X 12mm Pan HD, Blk
* 1-16133	Nut - Hex M12x1.75, 12 mm
* 1-18206A	M3 x 12 Screw Pan Head
* 1-18333A	Nut - Hex 1/4-28 Zinc
* 1-18341A	Washer - .191 ID X .620 Dx .06,Thk,St
* 1-1836	Roller Pin
* 1-18741A	Washer - Flat
* 1-1906	Screw - 4-40 X 1/4 PHMS - ZN
* 1-19252A	Pin - Roll, .156 X 1 ESNA
* 1-19306A	M3 x 6mm screw
* 1-20106A	Screw, Pan M4 x 10 ST/FT, Black
* 1-20906A	Screw, Pan M5 x 12 ST/FT
* 1-21041A	Washer - Steel, .745OD X .510ID
* 1-2230	Piston
* 1-2277	Guide Ring
* 1-2278	Cylinder Spacer
* 1-2279	Piston Retainer Washer
* 1-228401	Pulley Mount
* 1-233	Nut - Hex, 2n 8 - 32
* 1-23306A	Screw, Pan HD #10 - 24 X 7/8
* 1-2382	Piston Shaft
* 1-2446	Cylinder Mounting Pin
* 1-2447	Cylinder Mounting Block
* 1-2451	Cable Assembly
* 1-2459	Cable Spacer
* 1-2460	Safety Pin
* 1-2461	Flow Control
* 1-246401	Safety Angle
* 1-2509	Screw - BHCS, 1/4 -20 X 5/8
* 1-25806	M6 X 12mm Screw
* 1-2609	Screw - SHCS, 6 - 32 X 3/8 BTN Hd
* 1-2648	M4 Star Washer
* 1-2777	Ring - Retaining
* 1-28306A	Screw - PHM 6-32 X .375 Phil
* 1-29906A	Screw - Pan Hd, M4 X 12mm
* 1-3006	Screw - PHMS, 8 - 32 X 1/4
* 1-30606A	Screw - PHMS 4 - 40 X 1/4
* 1-333	Nut - Hex, 10 - 32, Zinc
* 1-38909a	M4 X 12mm Socket HD Screw
* 1-4044	Washer - Nylon, .38 OD
* 1-41209	Screw - BHCS, 8 - 32 X 1 3/4
* 1-42409A	Screw - BHCS, 10-32 X 1/2,Zinc
* 1-42709A	Screw - SHCS, 10 - 32 X 1/2, Zinc
* 1-43709A	Screw - BHCS, 8-32 X 1 Zn
* 1-44109A	Screw - FBHCS, 5/16 - 18 X 5/8
* 1-446	Washer - Lock, Split



Part Number	Description
* 1-4647	Washer - M5, Int Tooth
* 1-4806	Screw - 10 - 32 X 1 3/4 PHMS, Zinc
* 1-48610A	Screw - Set, #10-32 X 5/8 Hs Cup
* 1-5361	Spacer - Threaded,6-32 X 1/2
* 1-546	Lockwasher - #4, Zinc
* 1-5962	Nylon Round Standoff 3/4"
* 1-646	Lockwasher - #10
* 1-6933	Nut/Lockwasher - 4 - 40 Zinc
* 1-7133	Nut - Keps, #10 - 32 Unf - 2b Cd/Zn
* 1-7433	Nut - Kep Hex 1/4 X 20
* 1-8133	Nut - Keps, 3/8 - 16
* 1-8626	Screw - Self Tap 8-32 X .375
* 1-933	Nut - Hex, 1/2 - 13 UNC - 2B Cad / Zn
* 1-9733	Nut M4
* 1-9833	Nut M5
2-01763A	Switch - Limit
2-04068A	Fan Kit - Celeron Motherboard
* 2-0772	Slider Block
* 2-09157A	Halyard Clamp
2-12258A	Rocker Switch ON/OFF
* 2-1558	Roller Assembly
2-15651A	Fuse Holder
* 2-176101	Angle Support Bracket
2-18451A	Fuse - 5A, Slo
* 2-1852	Stand
* 2-186101	Safety
2-1863	Hydraulic Tube Assembly
* 2-1864	Wall/Stand Mount Assembly
* 2-29466A	Headset Base / Belt Pk Dom
* 2-29466A01	Switch Accessory
2-29666A	Headset Assy - Voice Control
2-30066	Modem Internal Pci 56k
2-30166	Motherboard - ATX, S370 Without Video & Sound
2-32666A	Drive Kit - CD (EWA531A)
2-34066A	Motherboard - ATX, S370 - Built in Video & Sound
2-36466A	Motor - Gear Drive
2-37348A	Receptacle - Cord, Power
2-37666A	Power Supply 10V 40W
* 2-40248A	IEC Inlet (Filter)
* 2-6138-1	Lockwasher - Int, Zinc 1/2
* 2-6138-2	Nut - Jam, 1/2-28, Brass
2-7051	Slow Blow Fuse 3A
2-7151	Slow Blow Fuse 8A
* 3-00128	Software - Norton Utilities
3-00908	Monitor Multimedia, 19"
3-00908A01	Base for 19" Monitor
3-02806A	PC - Dell
* 3-071001	Cradle
* 3-082001	Mounting Cover Plate
3-107816A	Memory - Module - Dimm, 128m, PC133
3-62411A	Processor - AMD Duron
3-85316	Memory Module-dimm,64m
* 4-097301	Tower
* 4-097401	Slide
* 4-0975	Cylinder Tube
* 4-097601	Cylinder

Part Number	Description
* 5-00220A	Tower - Extrusion, Heavy
* 5-05145A	Cable Tie - 11.38" Clear
5-10426A1	Tape - Hook Velcro, #88
5-10426A2	Tape - Loop Velcro, #1000
* 5-845	Tie Wrap
* 6-0008	1/4"-20 X 1" Hex. Hd. Bolt
6-0012	Bulkhead Elbow 3/8" JIC
* 6-0032	1/4"-20 Nut
* 6-0034	3/8" Nut
* 6-0042	3/8" Nylon Lock Nut
* 6-0047	1/2"X1 3/4" LG. HEX HEAD BOLT
* 6-0053	1/2"X1/2" Shoulder Bolt
* 6-0056	1/4" Lock Washer
* 6-0058	3/8" Lock Washer
* 6-0059	1/2" Lock Washer
* 6-0060	1/4" Flat Washer
* 6-0062	3/8" Flat Washer
6-0140	1/2" X 4 1/2" Wedge Anchor (C/W F.W. & Nut)
* 6-0178	1/4"-20 X 3/4" Hex. Hd. Bolt
6-0183	Breather
* 6-0215	1/4" NPT Coupler
* 6-0248	1/2" Flat Washer
* 6-0267	1/8" Cotter Pin
* 6-0294	5/16" Nut
* 6-0295	5/16" Flat Washer
6-0337	Coil Hose
* 6-0419	Thrust Washer
* 6-0423	5/16"-18 X 3/4" Hex Hd. Bolt
* 6-0626	1/4" I.D. Fender Washer
6-0651	Pneumatic Cylinder
* 6-0666	3/8"X1 1/4" GR. 8 Hex Head Bolt
* 6-0674	5/16" Lock Washer
6-0708	1/4" Poly – 1/8" M NPT Adapter
6-0709	1/4" Poly - 1/8" M Npt Elbow Adapter
* 6-0713	Short Terminal Bolt
* 6-0730	3/8"X2 3/4" Lg. Hex Head Bolt
6-0739	1/16" Thick Shim
6-0740	1/8" Thick Shim
* 6-0774	Coupling Sae 9t-20/40 1.260"
* 6-0776	Bracket Handle Ass'y Rel Black
* 6-0875	O-ring 2-348 Buna
* 6-0880	Valve Cartridge Release Manual
6-0974	3/8" - 1/4" JIC Reducer
* 6-1087	Valve Cartridge Check
* 6-1089	Relief Valve Cap Assembly
* 6-1091	Bolt #12-24 X .50 Hex Wshrhhd
* 6-1093	Elbow 1/4" Jic-9/16" SAE
* 6-1376	Breather Cap & Bladder
* 6-1382	1/4" M Npt – 1/8" M NPT Adapter
* 6-1563	1/4"-28 Nylon Locking Nut
6-1571	3/8"X2 1/4" Wedge Anchor (C/W F.W. & Nut)
6-1819	Pulley
6-1821	Duratex Wheel
* 6-1884	Cap
* 6-1900	Shim (#22 Ga.)
6-1904	1/4" Poly - 1/4" M Npt Elbow Adapter

<b>Part Number</b>	<b>Description</b>
* 6-2136	Label Installation Autohoist
* 6-2151	Spring 0.480" X 0.063" X 0.42" Comp
* 6-2153	Compression Tube Nut
* 6-2154	Compression Tube Sleeve
* 6-2155	Endhead Universal Autohoist
* 6-2156	Wiring Assembly Ac 1ph Fenner
* 6-2157	Plumbing Plug 5/16" Sae
* 6-2158	Seal Shaft 0.500" X 1.00" X 0.25"
* 6-2159	Washer 0.338" X 0.625" X 0.060" Steel
* 6-2161	Plumbing Plug 3/8"Npt
* 6-2162	Plumbing Magnet
* 6-2164	Screw Taptite M6x1.0 12mm Torx
* 6-2165	Cover Assy Suction
* 6-2167	Nut 3/4"-16 X 1"Hex X 0.250 Steel
* 6-2168	Wasaher 3/4" Int. Tooth Lock
* 6-2169	Bolt M6 X 1.0 35mm Soc Hd
* 6-2170	Washer 1/4" Lock Hi-collar
* 6-2298	Bolt 5/16"-24 X 2 3/4" Torx G8
* 6-2299	Motor Ac Psc #613000 115/230 1 Hp 1ph Blk
* 6-2300	Cordset 16/3 Sjo 8ft 115v Plug
* 6-2301	Package Plug 9/16" Sae
* 6-2302	Electric Stakon Nut
* 6-2303	Electric Cord Grip 3/4" Npt
* 6-2304	Electric Pipenut 3/4"
* 6-2305	Valve Load Delay
* 6-2306	Pump Ass'y 0.8 Short Spline
* 6-2307	Tank Plastic 6.7 Ct 11.0" Black
* 6-2308	Plumbing Ass'y Inlet 6.61 (3)
* 6-2310	Return Hose 3/8" Od X 10.0"
* 6-2311	Electric Reducer Washer
* 6-2319	Hydraulic Hose
* 6-2322	Internal Retaining Ring
* 6-2323	Piston Seal
* 6-2324	Wear Ring
* 6-2325	'O' Ring
* 6-2328	'O' Ring
* 6-2329	Rod Seal
* 6-2330	Rod Wiper
* 6-2506	3-Way Valve Assembly
* 6-2506NUT	Nut
* 6-2506PB	Push Button
* 6-2506VB	Valve Body
* 6-2544	1/2"X1 1/2" Shoulder Bolt
* 6-2564	Relief Assembly
8-0141	1/4' Polytube (Specify Length)
* 8-02440A	Bolt - Anchor (61750)
* 8-03631B	Cable - 3 - 32
* 8-03642A	Catch - Magnetic, Medium
* 8-08018A	Rubber Feet
* 8-08214A	O - Ring 1 3/4 X 2 1/8 X 3/16dia
* 8-08216	Grommet - 3/16ID X 9/16OD,Blk
* 8-08616	Grommet Feet
* 8-09219A	Clamp - Cable U - Bolt
* 8-09518A	Bumper Stop
8-22039A	Castor Swivel
8-22139A	Castor Swivel Braked

<b>Part Number</b>	<b>Description</b>
8-23139A	Caster - Swivel 5" W/Brake
8-23239A	Caster - Swivel 5"
* 8-23536A	Hinge Latching Left
* 8-23536B	Hinge Latching Right
* 8-2388AL	Drawer Slide Ball Bearing 17"
* 8-2388AR	Drawer Slide Ball Bearing 17"
* 8-3916	Strain Relief, Heyco
* EAA0256J01A	Adapter - Rim Clamp
* EAA0256J02A	Adapter - Hub
* EAA0256J03A	Cap - Hub
* EAA0256J04A	Plate - Rim Clamp Adapter
* EAA0256J24A	Desktop Assy
EAA0256J28A	Receiver Assy remote
EAA0256J57A	USB HIB Shelf Assy
EAA0256J62A	Wheel Clamp - Alloy ( Ar 10" - 21")
EAA0256J76A	Pod Assy, Left
EAA0256J77A	Pod Assy, Right
* EAA0256J91A	Camera Beam Assy - Shpmt, IVS
EAA0261P40A	USB HIB Final Assy
EAA0261P60A	IEC Power Block 7 way
EAA0272J20A	Receiver only
EAA0287J60A	Switch - Membrane, Remote Pro32
EAA0287J62A	Target Sandwich - Front
EAA0287J63A	Target Sandwich - Rear
EAA0287J68A	Pod Assy, Common - Motor
EAA0287J73A	Belt ASM. Arago
EAA0287J81A	PC ASSY-UATX DESKTOP (With DVD)
EAA0287J82A	PC ASSY-UATX DESKTOP (With CD)
* EAA0287J88A	CPU Door Assy
* EAA0287J90A	Printer Drawer Assy
* EAA0287J93A	Cabinet Assy - Economy V3D
* EAA0287J96A	Base Wldmt - SUN/JBC Aligner
EAA0297P31A	Wire Rope Assy
* EAC0055J38A	Support Side Cabinet
* EAC0055J40A	Front Printer Drawer
* EAC0055J47A	Keyboard Tray
* EAC0055J59A	Slide Car Wldmt
* EAC0055J78A	Wheel Clamp - Mach. Casting
* EAC0055J90A	Pivot - Base, Black
* EAC0055J91A	Panel - Rear Remote Black
* EAC0055J92A	Bezel Front Remote Black
* EAC0055J94A	Knob - Modified
* EAC0079J07A	Spacer Short
* EAC0079J08A	Spacer
EAE0049J14A	Power Supply, IVS
* EAK0222J03A	Decal Kit - V3D
EAK0222J17A	Voice Align Kit
EAK0222J20A	Porsche Adaptors
EAK0222J21A	Shoe Kit - Tapered, (Alloy Wc)
EAK0222J22A	Gripper Shoe Kit, Short ( Alloy WC)
EAK0222J23A	Long Gripper
EAK0222J24A	Gripper Shoe Kit, Shaped (Alloy WC)
EAK0222J25A	Shoe Kit, Extensions (Alloy WC)
EAK0222J27A	Extension Adaptor Kit
EAK0222J28A	Kit, Hub Pins For Mercedes-Benz & BMW
EAK0222J30A	Alloy Universal Camera Wheel Clamp

<b>Part Number</b>	<b>Description</b>
EAK0222J52A	IVS Camera Pod Assy
EAK0256J23A	Software Kit - Windows XP
* EAL0343J22A	Window-remote
EAL0343J25A	Mouse Pad
* EAL0343J26A	Mat Footrest
* EAL0343J46A	Label - Code Electrical
* EAL0343J48A	Label - RH/LH, Arago3
* EAL0343J53A	Label - Warn.patent
* EAL0343J64A	Label - Caution
* EAL0345P45A	Caddy Base Label
* EAL0345P52A	Label - Fuse 3a
* EAL0345P53A	Label - Fuse 1a
* EAL0345P54A	Label - Electrical Warning
EAM0007J28A	Cover - Pod, 1 Hole (Mch)
EAM0007J29A	Cover - Pod, 2 Hole
EAM0007J30A	Cover - Pod, Rect.hole
EAM0007J32A	Shaft - Rotation, Handle
EAM0007J35A	Clampdog - Monitor
EAM0007J37A	Shaft - Adapter, Short
EAM0007J38A	Shaft - Adapter, Long
EAM0016J74A	Cover - Pod, Plain
* EAM0023J00A	Weight Counter Arago
EAP0196J14A	PCB - Arago Motor Control
EAP0196J70B	PCB Assy - IVS Processor
EAP0196J80A1	USB HIB PCB Assy
EAP0216P00A	Interconnect PCB
EAP0238J00A	PCB Assy - IVS Processor 3 Channel
* EAS2018R78A	Striker Plate
* EAS2022J14A	Cover - Front, Camera Beam
* EAS2022J19A	Printer Drawer Back
* EAS2022J25A	Caster Bracket Assy
* EAS2022J57A	Shield - Base Tower, Front
* EAS2022J58A	Shield - Base Tower, Rear
* EAS2022J59A	Bracket - Shield,Connecting
* EAS2022J60A	Bracket - Hinge, Lower
* EAS2022J65A	Plate - Elect., Dual
* EAS2022J67A	Housing - IVS, Main
* EAS2022J68A	Cover - Main, IVS
* EAS2022J71A	Plate - Base, Tower
* EAS2022J72A	Plate - Rotation
* EAS2022J73A	Bracket - Hinge, Top
* EAS2022J74A	Handle - Rotation, Cam
* EAS2022J77A	Bolt Assy
* EAS2022J81A	Plate - Hole Cover Cam. Bm IVS
* EAS2024P03A	Rail Drawer Right
* EAS2024P33A	Cross Bar Center Assy
* EAS2024P57A	Shelf Assy - PC
* EAS2024P63A	Connector Bracket Assy
* EAS2024P64A	USB Base Assy'
* EAS2024P66A	Cover Assy
* EAS2024P68A	Panel Assy - Back
* EAS2024P85A	Panel Assy - Side, RH
* EAS2024P91A	Panel Assy - Side, LH
* EAS2040P00A	Left Side Panel Assy
* EAS2040P01A	Right Side Panel Assy
* EAS2040P06A	Shelf Assy - USB HIB

Part Number	Description
* EAS2040P08A	Rail Drawer Left
* EAS2040P14A	Remote Bracket Assy
* EAS2040P15A	Head Bracket – V3D
* EAS2040P19A	CPU Tray Assy
* EAS2040P20A	Hanger Bracket
* EAS2040P22A	Cover Assy - Power Inlet
* EAS2040P24A	PC Back Cover Assy
* EAS2040P26A	Footrest Assy
* EAS2040P27A	Cross Bar Rear Assy
* EAS2040P72A	Base Weldment Trolley Assembly
* EAS2040P73A	Trolley Hook
* EAS2040P75A	Trolley Spacer Clamp Offset RHS
* EAS2040P77A	Trolley Top Plate
* EAS2040P79A	Trolley Spacer Clamp Offset LHS
* EAS2040P80A	Trolley Upright Weldment
* EAS2040P81A	Caddy Handle Assembly
* EAS2040P82A	Trolley Spacer Lower Offset RHS
* EAS2040P83A	Trolley Spacer Lower Offset LHS
* EAS2048J21A	Bracket - Pulley
* EAS2048J31A	Printer Drawer
* EAS2048J41A	Bracket - Monitor, Front Asm.
* EAS2048J42A	Bracket - Monitor, Rear RH
* EAS2048J44A	Bracket - Monitor, Rear LH
* EAS2048J47A	Plate - Monitor, Pivot Asm
* EAS2048J64A	Weight - Short, Counter
* EAS2048J65A	Bracket Pulley Double
* EAS2048J66A	Cover Pulley RH
* EAS2051P50A	Keyboard Shelf Assy
* EAS2051P60A	Bracket, Target - LH
* EAS2051P61A	Bracket, Target - RH
* EAS2051P81A	Bracket - Motor
* EAS2057P27A	Access Panel
* EAS2057P32A	Bottom Cover Assy
* EAS2057P33A	Cover - Top Motorized
* EAS2057P39A	Cover Limit Switch
EAW0235J05A	Cable Assy - IVS Camera Video
EAW0235J07A	Cable Assy - IVS Camera Control
EAW0235J21A	Cable Assy - Video Long
EAW0235J22A	Cable Assy - Video Short
EAW0235J23A	Cable Assy - Common Long
EAW0235J24A	Cable Assy - Common Short
EAW0243P10A	Remote Cable (Cable leading to HIB PCB)
EAW0243P16A	Cable Assy, 6 way to 6 way Power Cable
EAW0243P17A	Cable Assy, 16 way to 16 way IDC
EAW0243P20A	Cable Assy, 3 Way Power Cable
* EAW0243P22A	Link Wire Brown
* EAW0243P23A	Link Wire Blue
* EAW0243P25A	Cable - Link Wire
* EAW0243P26A	Link Wire Ground to Ground

**NOTE: PARTS LISTED WITH AN \* OR OTHERWISE NOTED ARE CONSIDERED SPECIAL ORDER PARTS AND MAY NOT BE IN STOCK, OR LISTED, IN THE EQUISERV PARTS SYSTEM UNTIL ORDERED BY A TECHNICIAN. WHEN ORDERING THESE PARTS PLEASE NOTE THAT THESE ARE GOOD PART NUMBERS BUT THE PARTS DEPARTMENT WILL HAVE TO SET THEM UP IN THE SYSTEM BEFORE YOU CAN ORDER ONE AND THEREFORE AN EXTENDED LEAD TIME MAY APPLY.**



**USA**

John Bean  
309 Exchange Avenue  
Conway, Arkansas 72032  
Tel.: (800) 362-8326 or (501) 450-1500  
Fax: (501) 450-1585

**FRANCE**

John Bean  
Snap-On Equipment France  
Z.A. Du Vert Galant  
15, rue de la Guivernone  
BP 7175  
95310 Saint Ouen L'Aumone  
Tel: (33) 1-3448-5878  
Fax: (33) 1-3448-5879

**UNITED KINGDOM**

Snap-On Equipment Ltd.  
John Bean Equipment Group  
Oldmedow Road  
Kings Lynn  
Norfolk  
PE30 4JW

**CANADA**

John Bean  
6500 Millcreek Drive  
Mississauga, Ontario  
Canada L5N 2W6  
Tel: (905) 814-0114  
Fax: (905) 814-0110

**JBC GERMANY**

Geschäftsbereich der Snap-on Equip. GmbH  
Werner-von-Siemens-Str. 2  
D-63419 Pfungstadt  
Deutschland  
Tel: +49 (0) 6157 12 600  
Fax: +49 (0) 6157 12 601  
Website: [www.johnbean.de](http://www.johnbean.de)

**LATIN AMERICA**

Snap-on Tools International, Ltd.  
2801 80th Street  
Kenosha, WI 53143  
Tel: (262) 656-5003  
Fax: (414) 656-1403

**Notice:** The information contained in this document is subject to change without notice. **John Bean** makes no warranty with regard to this material. **John Bean** shall not be liable for errors contained herein or for incidental consequential damages in connection with furnishings, performance, or use of this material.

This document contains proprietary information which is protected by copyright and patents. All rights are reserved. No part of this document may be photocopied, reproduced, or translated without prior written consent of **John Bean**.



is a registered trademark of Snap-on Equipment