

# *Wheel Aligner*



## *PARTS MANUAL*

*V2000, V2100, V2260, V2280, V2380*

*EEWA540TH3, EEWA541TH3, EEWAEU543TH3, EEWA\*544TH3, EEWA545T\*3*

All information contained or disclosed in this document is considered confidential and proprietary by Snap-on. All manufacturing, use, reproduction, and sales rights are reserved by Snap-on and the information contained herein shall not be used in whole or in part without the express written consent of Snap-on.

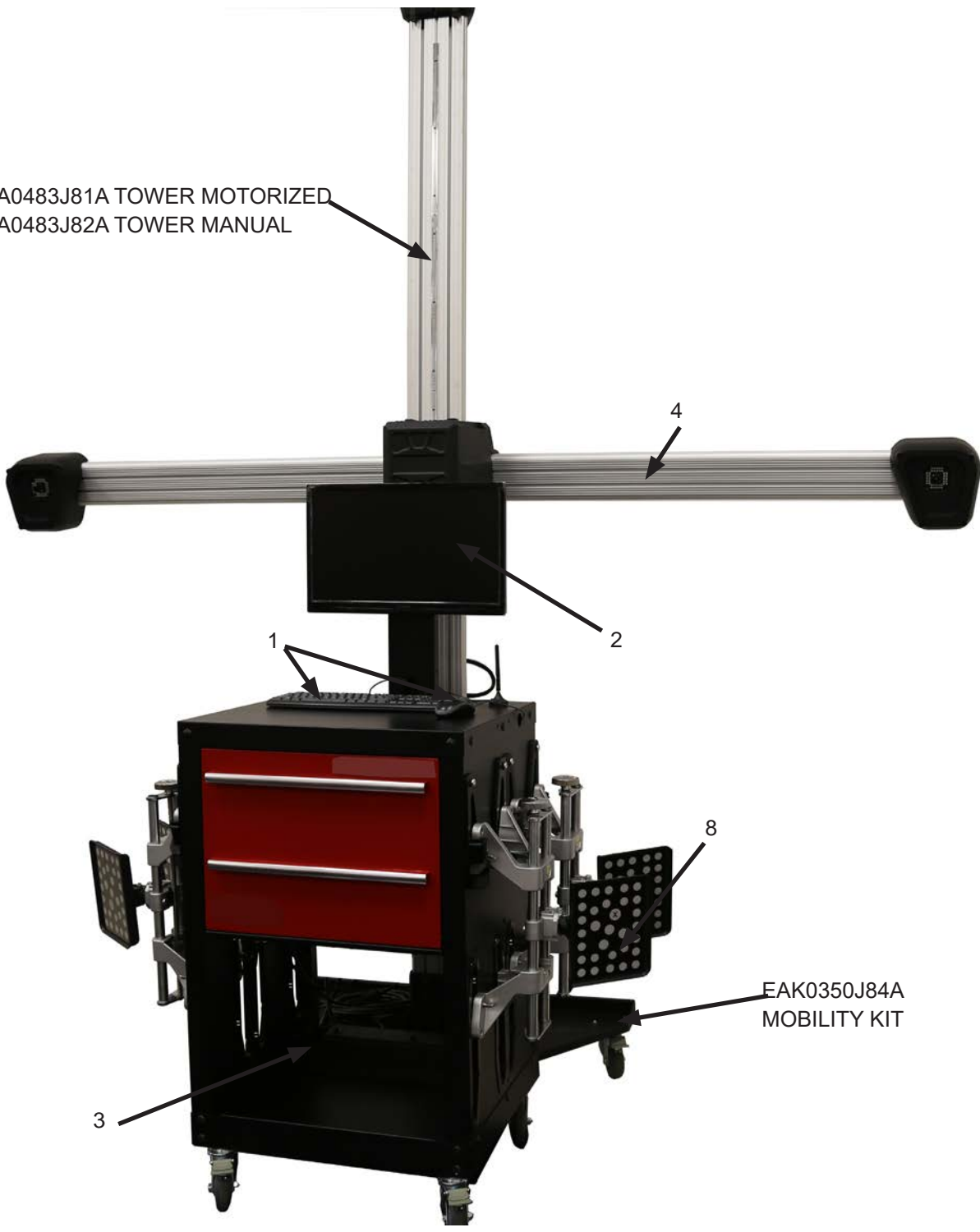
# Table of Contents

EEWA544TH3(2280) BOM.....	2
EEWA540TH3 (2000) BOM.....	4
EEWA541TH3 (2100) BOM.....	4
EEWA545T*3 (2380) BOM.....	5
CABINET ASSY (2380).....	6
CABINET ASSEMBLY EAA0473J65A (V2280 / V2260) .....	8
CABINET ASSEMBLY EAA0483J60A .....	10
MOBILITY KIT - NA ONLY.....	12
ELECTRICAL SHELF .....	14
CAMERA BEAM.....	16
TOWER, MOTORIZED.....	18
TOWER, MOTORIZED.....	19
TOWER, MOTORIZED.....	20
TOWER, MANUAL.....	21
TOWER, MANUAL.....	22
TOWER, MANUAL.....	23
EAK0363J05A - KIT – TALL POST, V2000 .....	24
ELECTRICAL BOX - V2000, V2100, V2260, V2280, V2380 .....	26
AC400 WHEEL CLAMP .....	28
WHEEL CLAMP .....	30
WHEEL TARGETS 2280 / 2260 / V2100 / 2380 (AC200/AC100) .....	32

## EEWA544TH3(2280) BOM

REQ	ITEM	PART NUMBER	DESCRIPTION
1	1	3-08006A	KIT, MOUSE/KEYBOARD, USB
1	2	EAK0289J61A	KIT - 22" LCD MONITOR
1	3	EAA0473J65A	CABINET ASM-JBC,M.E.
1	4	EAA0483J09B	CAMERA BEAM ASM
1	5	EAA0469J99B	FULL ELECT. SHELF ASM-V2280
1	6	EAK0277J82A	LIT PACK - GENERIC
	7	EAK0350J97A	DECAL KIT 2280
		EAK0484J01A	DECAL KIT 2260
1	8	EAK0350J80A	AC200 II – XD KIT
		EAK0350J80B	AC100 II – XD KIT
2	13	EAW0290J26A	POWER CORD, 115V, 5M
1	14	55502	CLAMP ASM – WHEEL, STEERING
1	15	86333	ENVELOPE – PADDED, 6 X 10
1	17	96	DEPRESSOR ASM - BRAKE
2	18	EAC0090J82A	WHEEL CHOCK, RUBBER
1	19	EAL0343J76A	LABEL-ELECTRICAL/ SERIAL
1	20	TEEWA544TS0	INSTALLATIONS INSTRUCTIONS
1	21	ZEEWA544TS1	MANUAL, QUICK START
1	22	EAK0268J05C	PRINTER KIT-TOP FEED
	23	EAS2186J15B	MONITOR MOUNT
1	24	EAA0483J61A	COVER ASM-MONITOR MOUNT
8	25	1-16006A	SCREW, M5X12MM
4	26	1103959000	WASHER, FLAT M5
1	27	1-21484A	GROUNDING, SCREW, #10-32
3	28	5-2345	CABLE TIE
1		EAW0291V05A	ETHERNET CABLE

EAA0483J81A TOWER MOTORIZED  
EAA0483J82A TOWER MANUAL



EAK0350J84A  
MOBILITY KIT

### EEWA540TH3 (2000) BOM

REQ	PART NUMBER	DESCRIPTION
1	EAA0483J09B	BEAM – VECTOR ASSEMBLY (PG 16)
1	EAK0350J91B	KIT – BRANDING DECAL, BEAM, JBC
1	EAK0350J22B	KIT, RIM CLAMP/TGT, AC200 II-8”
	EAA0435V13C	ASSY., CLAMP/TGT, AC200 II-8”, FL
	EAA0435V14C	ASSY., CLAMP/TGT, AC200 II-8”, FR
	EAA0435V15C	ASSY., CLAMP/TGT, AC200 II-8”, RL
	EAA0435V16C	ASSY., CLAMP/TGT, AC200 II-8”, RR
1	EAW0290J26A	POWER CORD/LABEL ASM., 115V, 5M
1	55502	CLAMP ASM – WHEEL, STEERING
1	00096	DEPRESSOR ASM - BRAKE
2	EAC0090J82A	WHEEL CHOCK, RUBBER
1	EAL0343J76A	LABEL-ELECTRICAL/ SERIAL
1	TEEWA540TH30	INSTALLATIONS INSTRUCTIONS
1	ZEEWA540TH31	MANUAL, QUICK START
1	EAA0483J97A	ASSY., MOUNTING BRACKET, BEAM
1	EAK0363J05A	KIT – TALL POST, V2000
1	3-23706A	DISPLAY – TABLET
1	1-14785A	PROTECTIVE COVER
4	1-39706A	SCREW – T, M8, W/ NUT

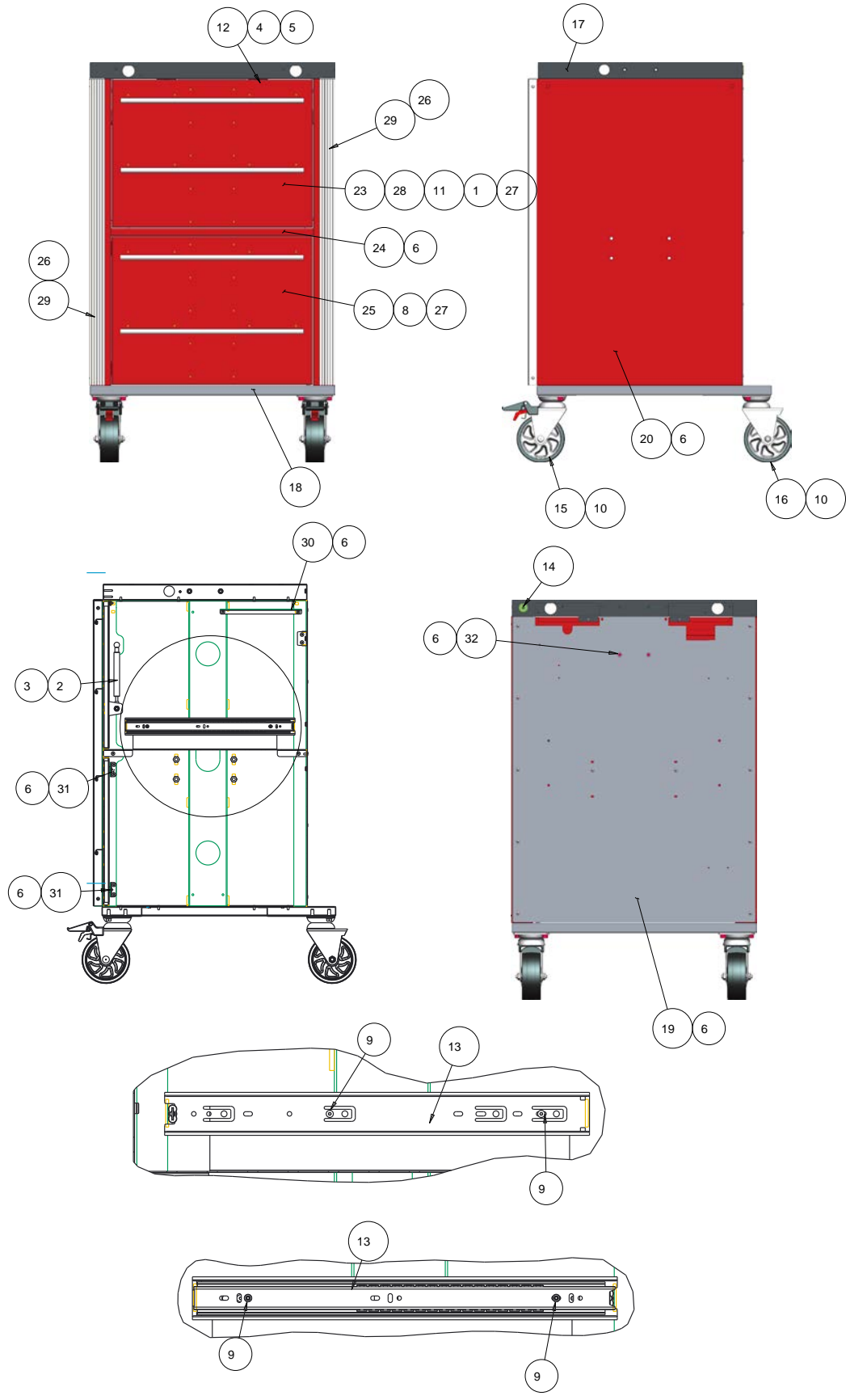
### EEWA541TH3 (2100) BOM

REQ	PART NUMBER	DESCRIPTION
1	EAA0483J67A	ASSY., BEAM & ELECT BOX, V2280 VA
	EAA0483J21A	SUP - POW, BEAM
	EAA0483J09B	BEAM - CAMERA, ASM
1	EAK0350J91A	KIT – BRANDING DECAL, BEAM, JBC
1	EAK0350J22B	KIT, RIM CLAMP/TGT, AC200 II-8”
	EAA0435V13C	ASSY., CLAMP/TGT, AC200 II-8”, FL
	EAA0435V14C	ASSY., CLAMP/TGT, AC200 II-8”, FR
	EAA0435V15C	ASSY., CLAMP/TGT, AC200 II-8”, RL
	EAA0435V16C	ASSY., CLAMP/TGT, AC200 II-8”, RR
	1-08584A	CORD, BUNGEE, BLACK 16”
1	EAW0290J26A	POWER CORD/LABEL ASM., 115V, 5M
1	55502	CLAMP ASM – WHEEL, STEERING
1	96	DEPRESSOR ASM - BRAKE
2	EAC0090J82A	WHEEL CHOCK, RUBBER
1	EAL0343J76A	LABEL-ELECTRICAL/ SERIAL
1	TEEWA541TH30	INSTALLATION INSTRUCTIONS
1	ZEEWA541TH31	MANUAL, QUICK START
1	EAA0483J97A	ASSY., MOUNTING BRACKET, BEAM
	EAS2203J59B	BRACKET, SLIM BEAM
	1-39706A	SCREW - T M8

## EEWA545T\*3 (2380) BOM

REQ	PART NUMBER	DESCRIPTION
1	3-08006AKIT	, MOUSE/KEYBOARD, USB
1	EAK0289J61A	KIT - 22" LCD MONITOR
1	EAA0483J99A	CABINET – COMPLETE, V2380
1	EAA0483J09B	BEAM VECTOR ASSY
1	EAK0277J82A	LIT PACK - GENERIC
1	EAK0350J90A	KIT – V2380 DECALS
1	EAK0320J26A	KIT, AC400, XD FRONT, 6X8
	EAK0350J80A	AC200 II, XD KIT
1	EAK0305J60A	KIT, AC400 CLAMPS, REAR PAIR
1	EAW0290J26A	POWER CORD, 115V, 5M
1	55502	CLAMP ASM – WHEEL, STEERING
1	00096	DEPRESSOR ASM - BRAKE
2	EAC0090J82A	WHEEL CHOCK, RUBBER
1	EAL0343J76A	LABEL-ELECTRICAL/ SERIAL
1	TEEWA544TB30	INSTALLATIONS INSTRUCTIONS
1	ZEEWA544TS1	MANUAL, QUICK START
1	EAK0268J05C	PRINTER KIT-TOP FEED
1	EAS2186J15A	BRACKET, LCD MTG
8	1-16006A	SCREW, M5X12MM
4	01103959000	WASHER, FLAT M5
1	1-21484A	GROUNDING, SCREW, #10-32
8	5-2345	CABLE TIE
1	EAK0305J32A	HANGER BRACKETS-MULTI CLAMP
1	3-82226A	SOFTWARE LICENSE-MITCHELL1
5	5-06945 A	MOUNT, CABLE TIE
1	1-55501A	SELF DRILLING SCREW, 5/16-12
2	1-06282A	METAL CLAMP, .375" DIA ID
2	EAM0157J48A	TRIM – RED, 41.4"
2	EAM0157J47A	TRIM – RED, 40.8"
1	EAW0291V05A	ETHERNET CABLE, 10M
1	2-78566A	BASE - ANTENNA, MAGNETIC

**CABINET ASSY (2380)**  
EAA0469J07A





SYM	REQ	PART NO	DESCRIPTION
1	2	1-04107A	SCREW-PHM, M5X20MM,NYLOK
2	1	1-07969A	GAS SPRING
3	2	1-10033	NUT - LOCK, M8
4	4	1-11103	SCREW,FH,M3X10MM
5	4	1-11233	NUT - HEX, M3
6	60	1-15158A	RIVET,STEEL,4.8MM,BLK
7	8	1-17358	RIVET, ALUMINUM 4MM
8	2	1-25306A	SCREW,PHMS,M5X20MM
9	8	1-38909A	SCREW - BHC, M4 X 12MM
10	8	1-55501A	SCREW, HEX 5/16"-12X1" SELF DRILL
11	4	1-5665	BUSHING - SHOULDER
12	4	8-04842A	MAGNET,12MM X 15MM X 3MM
13	2	8-06488A	SLIDE-DRAWER
14	1	8-09816A	GROMMET-BLACK .25 ID X 1.00 OD
15	2	8-33939A	CASTOR-SWIVEL, 5" SWIVEL
16	2	8-33939B	CASTER-, 5" SWIVEL
17	1	EAA0416V01A	TOP PANEL ASSY,ME-HE
18	1	EAA0416V23B	BASE ASSY,ME-HE,EXTENDED
19	1	EAA0446J99A	BACK PANEL ASM- M.E. CABINET
20	1	EAA0469J09A	LH SIDE PANEL ASM-JBC,H.E.
21*	1	EAA0469J10A	RH SIDE PANEL ASM-JBC,H.E.
22	1	EAA0469J15A	PRINTER DRAWER ASM
23	1	EAA0469J17A	PRINTER DOOR ASM-JBC
24	1	EAA0469J19A	PRINTER SHELF ASM-H.E. JBC
25	1	EAA0469J92A	LOWER DOOR ASM- JBC
26	2	EAC0116J56A	CAP,CORNER TRIM
27	4	EAC0121V05A	DOOR TRIM, FRONT
28	2	EAC0121V09A	INSERT,PRINTER DOOR
29	2	EAC0129J22A	CORNER TRIM
30	2	EAS2186J39A	ELECT. SHELF BRACKET-M.E. CAB.
31	2	EAS2186J84A	BRACKET- MAGNET
32	1	EAA0469J80A	BRACKET ASM- MONITOR SUPPORT

\* NOT SHOWN

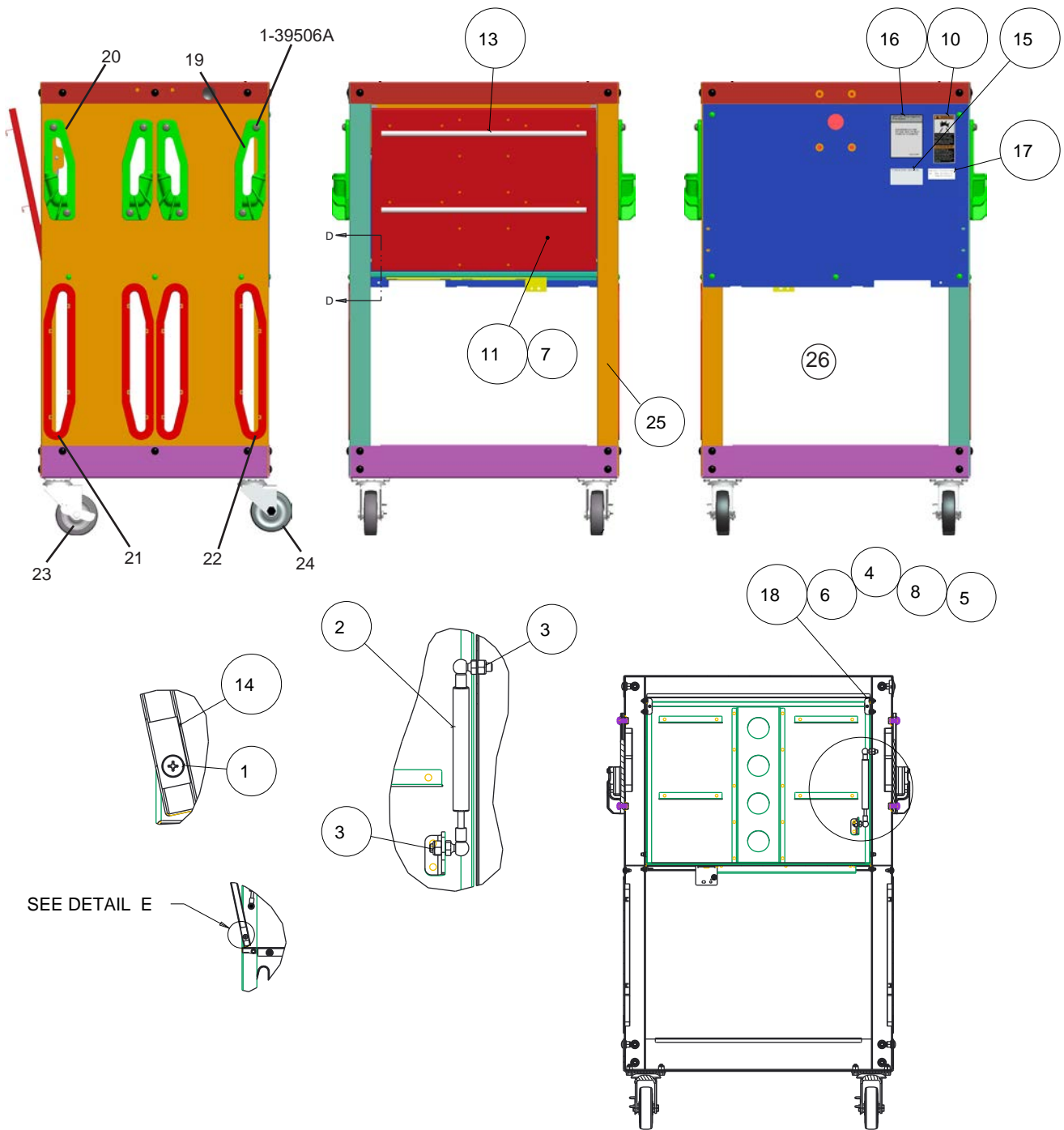


EAC0129J42A UPPER WCLAMP HANGER



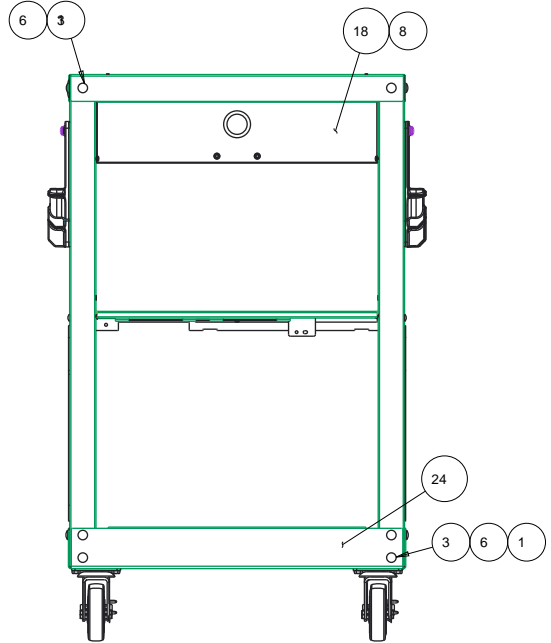
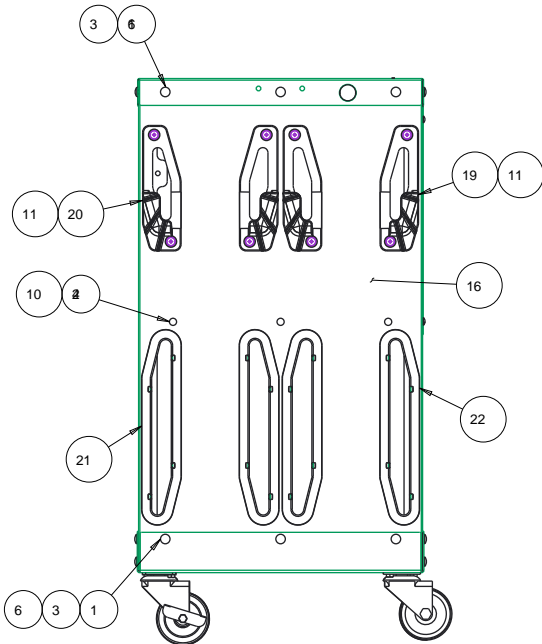
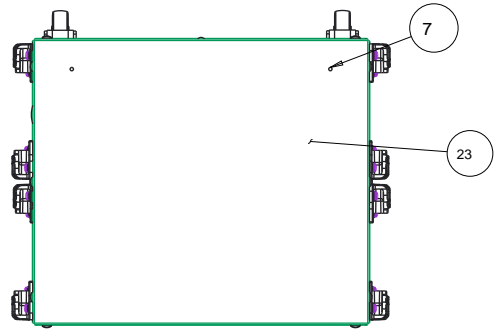
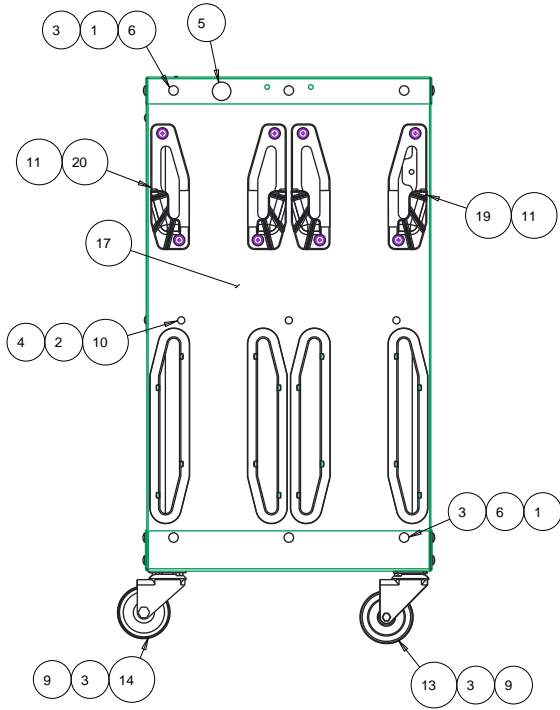
EAC0129J41A LOWER WCLAMP HANGER

CABINET ASSEMBLY EAA0473J65A (V2280 / V2260)



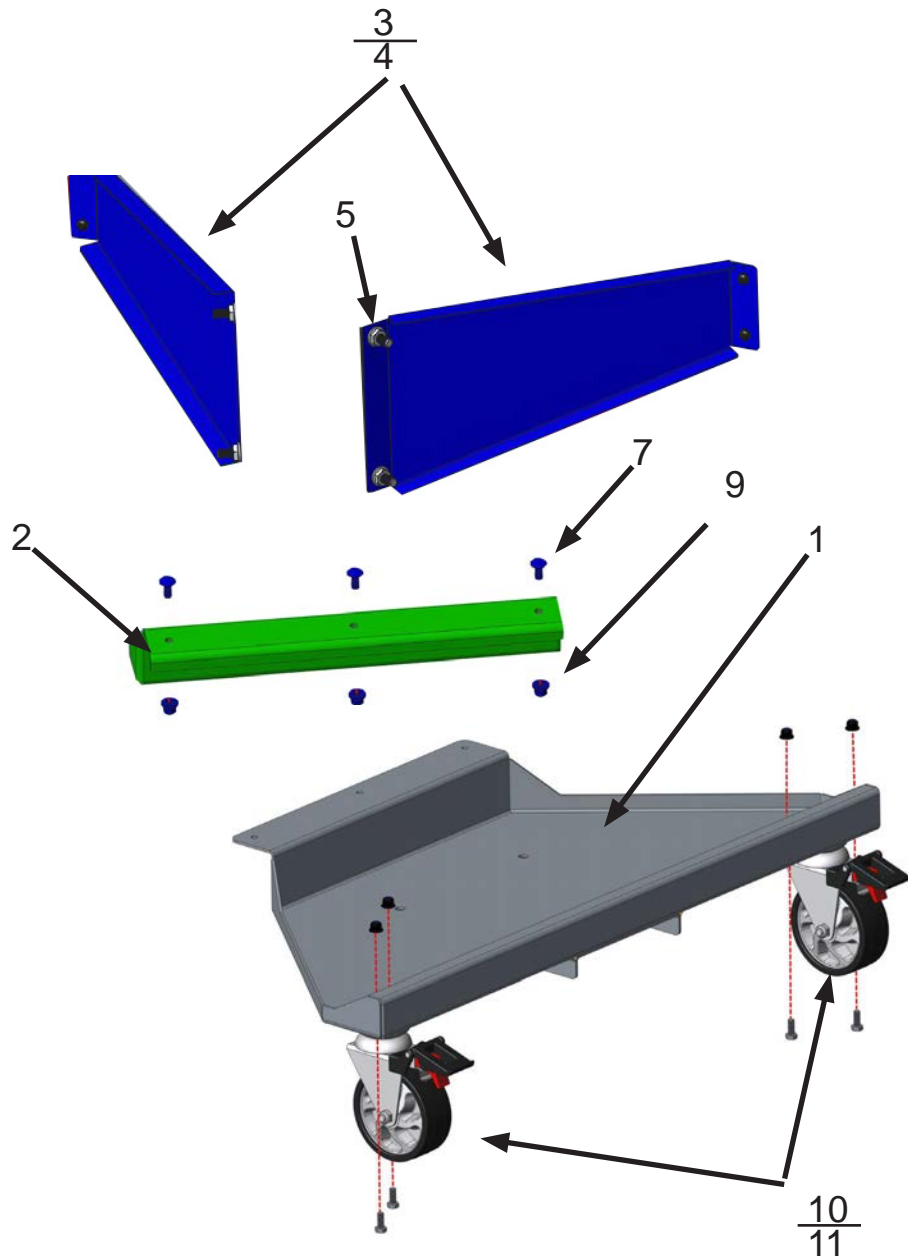
SYM	REQ	PART NO	DESCRIPTION
1	2	1-04107A	SCREW-PHM, M5X20MM,NYLOK
2	1	1-07969A	GAS SPRING
3	2	1-10033	NUT - LOCK, M8
4	2	1-11103	M3 X 10MM FLAT HEAD SCREW
5	2	1-11233	NUT - HEX, M3
6	4	1-16006A	SCREW - PHM, M5 X 12MM
7	2	1-5665	BUSHING - SHOULDER
8	2	8-04842A	MAGNET,12MM X 15MM X 3MM
9	1	8-23762A	LABEL - EARTH SYMBOL
10	1	111243	LABEL-WARNING EXPLOSION
11	1	EAA0469J17A	PRINTER DOOR ASM-RED
12	1	EAA0483J60A	CABINET ASM- M.E. BASE
13	2	EAC0121V05A	DOOR TRIM, FRONT
14	2	EAC0121V09A	INSERT,PRINTER DOOR
15	1	EAL0343J76A	ELECT/SERIAL LABEL
16	1	EAL0392J18A	LABEL-PATENT ALIGNMENT
17	1	EAL0392J89A	LABEL-CUSTOMER SERVICE
18	2	EAS2186J84A	BRACKET- MAGNET
19	4	EAC0129J65A	CLAMP HANGER- AC100/200, RH
20	4	EAC0129J66A	CLAMP HANGER- AC100/200,LH
21	4	EAC0129J68A	CABINET PROTECTOR- RH
22	4	EAC0129J69A	CABINET PROTECTOR - LH
23	2	8-33939A	CASTOR-SWIVEL
24	2	8-33939B	CASTER-SWIVEL 4" W/O BRAKE
26		EAS2203J45A	BACK PANEL- CABINET
25		EAL0452J66A	DECAL-V1200 TRIM,DOMED

# CABINET ASSEMBLY EAA0483J60A



SYM	REQ	PART NO	DESCRIPTION
1	24	1-03316A	BOLT-CARRIAGE, M8X20MM,BLK
2	11	1-03516A	BOLT-CARRIAGE, M5X16MM,BLK
3	32	1-05837A	NUT-M8,FLANGE LOCKNUT
4	11	1-05937A	NUT-M5, FLANGE,LOCKNUT
5	1	1-06976A	HOLE PLUG 1.25" DIA.
6	34	1-13541	WASHER-FLAT (10MM) BLK
7	2	1-14076A	HOLE PLUG- 3/16" DIA, BLK
8	4	1-16006A	SCREW - PHM, M5 X 12MM
9	8	1-32601A3	HEX SCREW-M8X1.25X20MM,BLK
10	11	1-37741A	WASHER- M8,BLK
11	16	1-39506A	SCREW-PHMS,M8 X 1.25MM X 16MM
12	4	1-60001A	SCREW-FLANGED HEX HEAD,M5X12MM,BLK
13	2	8-33739A	CASTOR-SWIVEL
14	2	8-33739B	CASTER-SWIVEL 4" W/O BRAKE
15	1	EAA0473J67A	PRINTER SHELF ASM
16	1	EAA0473J81A	LH SIDE PANEL ASM-M.E.
17	1	EAA0473J82A	RH SIDE PANEL ASM-M.E.
18	1	EAA0473J86A	MONITOR SUPPORT ASM
19	4	EAC0129J65A	CLAMP HANGER- AC100/200, RH
20	4	EAC0129J66A	CLAMP HANGER- AC100/200,LH
21	4	EAC0129J68A	CABINET PROTECTOR- RH
22	4	EAC0129J69A	CABINET PROTECTOR - LH
23	1	EAS2203J04A	CABINET TOP
24	1	EAS2203J07A	CABINET BASE
25	1	EAS2203J08A	BACK PANEL

MOBILITY KIT - EAK0350J84A  
(FOR CABINET EAA0473J65A)

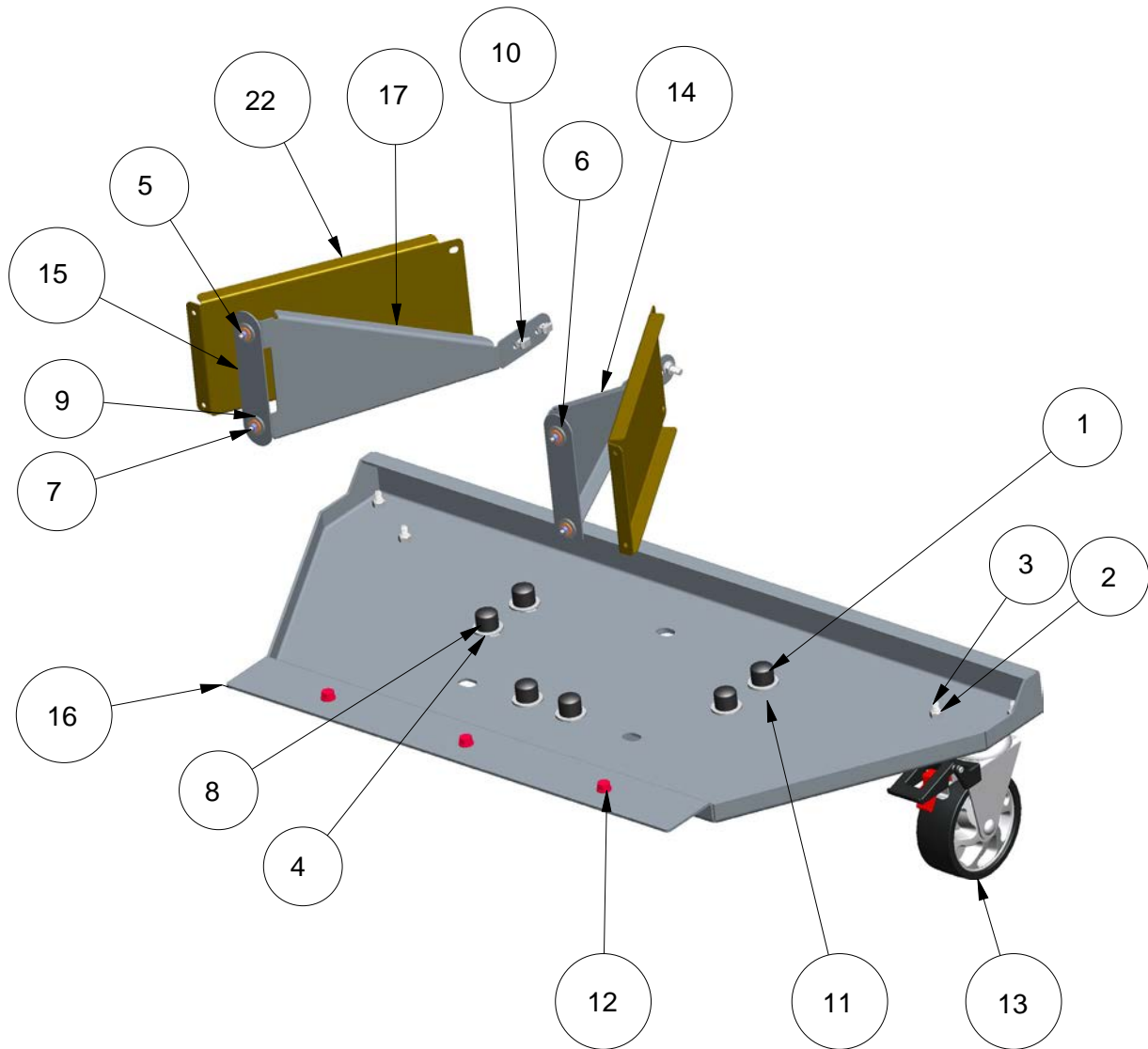


**EAK0320J98B - KIT DOCKING PADS (OPTIONAL)**

- EAC0116J57B - PAD
- 1-27184A - DRIVE ANCHOR, 1/4"X1" LG

REQ	ITEM	PART NUMBER	DESCRIPTION
1	1	EAA0483J70A	BASE ASM-MOBILITY KIT
1	2	EAA0483J71A	CABINET MOUNT ASM
1	3	EAS2203J60A	BRACKET-CABINET/TOWER,LH
1	4	EAS2203J61A	BRACKET-CABINET/TOWER-RH
4	5	1-39706B	SCREW-T,M8
4	6	1-16006A	SCREW-PHM,M5X12MM,BLK
15	7	1-32601A3	MSCR, HEX HD - M8 X 20MM (BLK)
3	8	1-13641A	WASHER – FLAT (12MM), BLK
15	9	1-05837A	NUT-M8,FLANGE LOCKNUT
4	10	8-33939A	CASTER – LOCKING
2	11	8-33939B	CASTER
1	12	TEAK0350J84A	INSTALLATION INSTRUCTIONS
2	13	EAC0116J57B	DOCKING PAD – MOBILITY,CABINET
4	14	1-27184A	DRIVE ANCHOR-1/4”X1”
3	*15	1-70109A	SCR-SKT HD CAP-BLK (M12X35MM)
3	*16	1-03316A	BOLT-CARRIAGE, M8X20MM,BLK

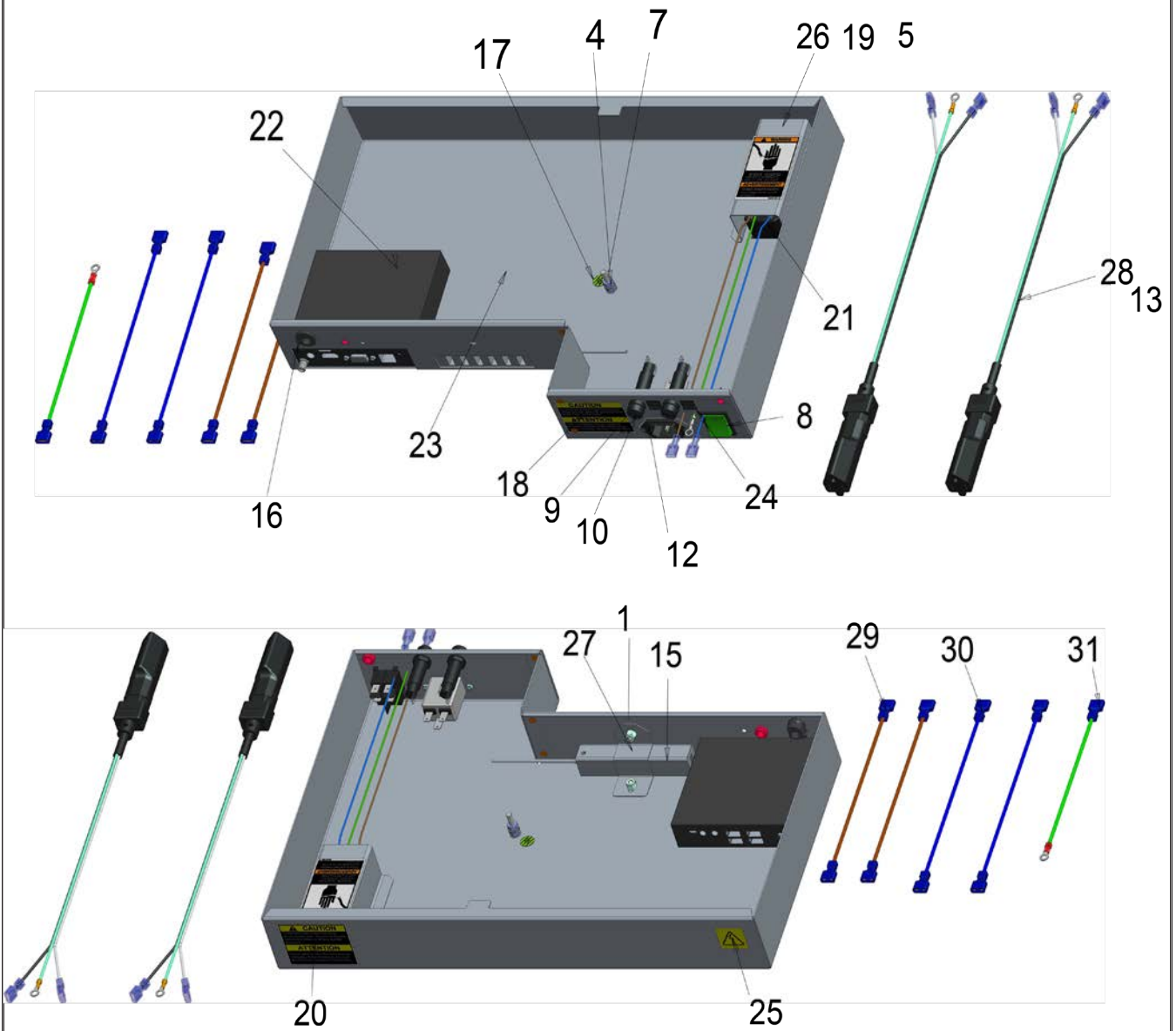
MOBILITY KIT - NA ONLY  
EAK0320J78D





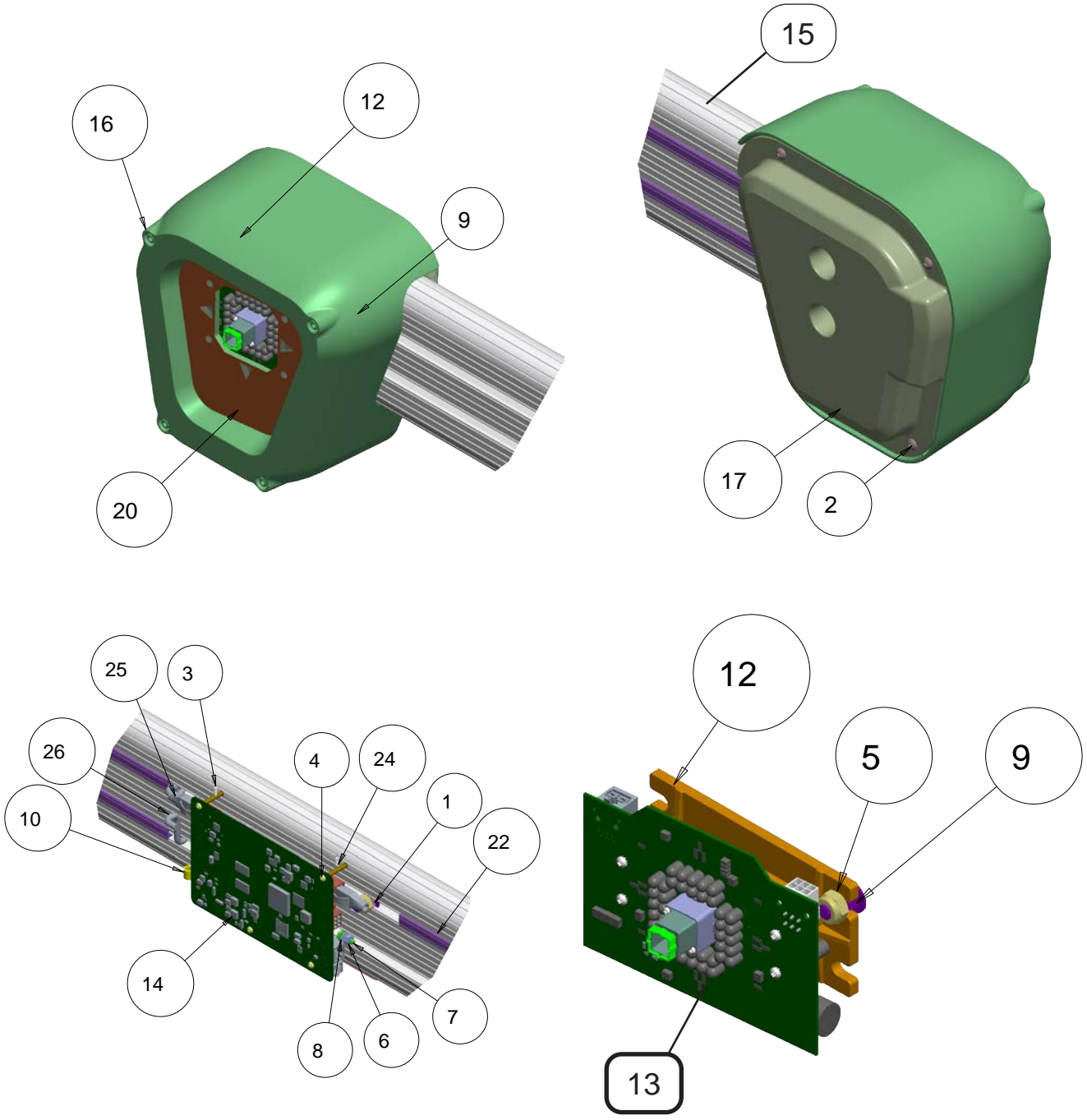
ITEM	REQ	PART NO.	DESCRIPTION
1	6	1-04476A	PLUG HOLE-NUT COVERS
2	4	1-10033	NUT – LOCK, M8
3	4	1-32701	SCREW – HHW, M8 X 25MM
4	12	1-1041	WASHER – ½ ID
5	4	1-13633A	NUT – KEPS, M5
6	8	1-18941A	WASHER-FLAT, .195 X .619 X .06 THICK
7	4	1-25306A	SCREW – PHM, M5 X 20MM
8	6	1-26033A	NUT – LOCK, ½-13
9	4	1-35041A	WASHER – FLAT, 13MM X 24MM
10	4	1-39706A	SCREW – T, M8
11	6	1-20288A	SCREW-HHCS, 1/2"-13X1.5"
12	3	1-55501A	SCREW, HEX 5/16"-12X1"
13	2	8-33939A	CASTER-SWIVEL, 5" WITH BRAKE
14	1	EAS2146J74B	BRACKET – MOBILITY, STABLE, RH
15	2	EAS2146J76B	BRACKET-MOBILITY, IN CABINET
16	1	EAA0429J37A	ASSY,BASE, MOBILITY KIT
17	1	EAS2146J81B	BRACKET – MOBILITY, STABLE, LH
18	4	1-27184A	DRIVE ANCHOR-1/4"X1
19	2	EAC0116J57A	DOCKING PAD-MOBILITY, CABINET
20	2	8-33739A	CASTER-SWIVEL 4" WITH BRAKE
21	1	TEAK0320J78D	INSTALL INSTRUCTIONS, MOBILITY KIT
22	2	EAS2203J71A	BRACKET – MOBILITY, STABLE

**ELECTRICAL SHELF**  
EAA0469J99B



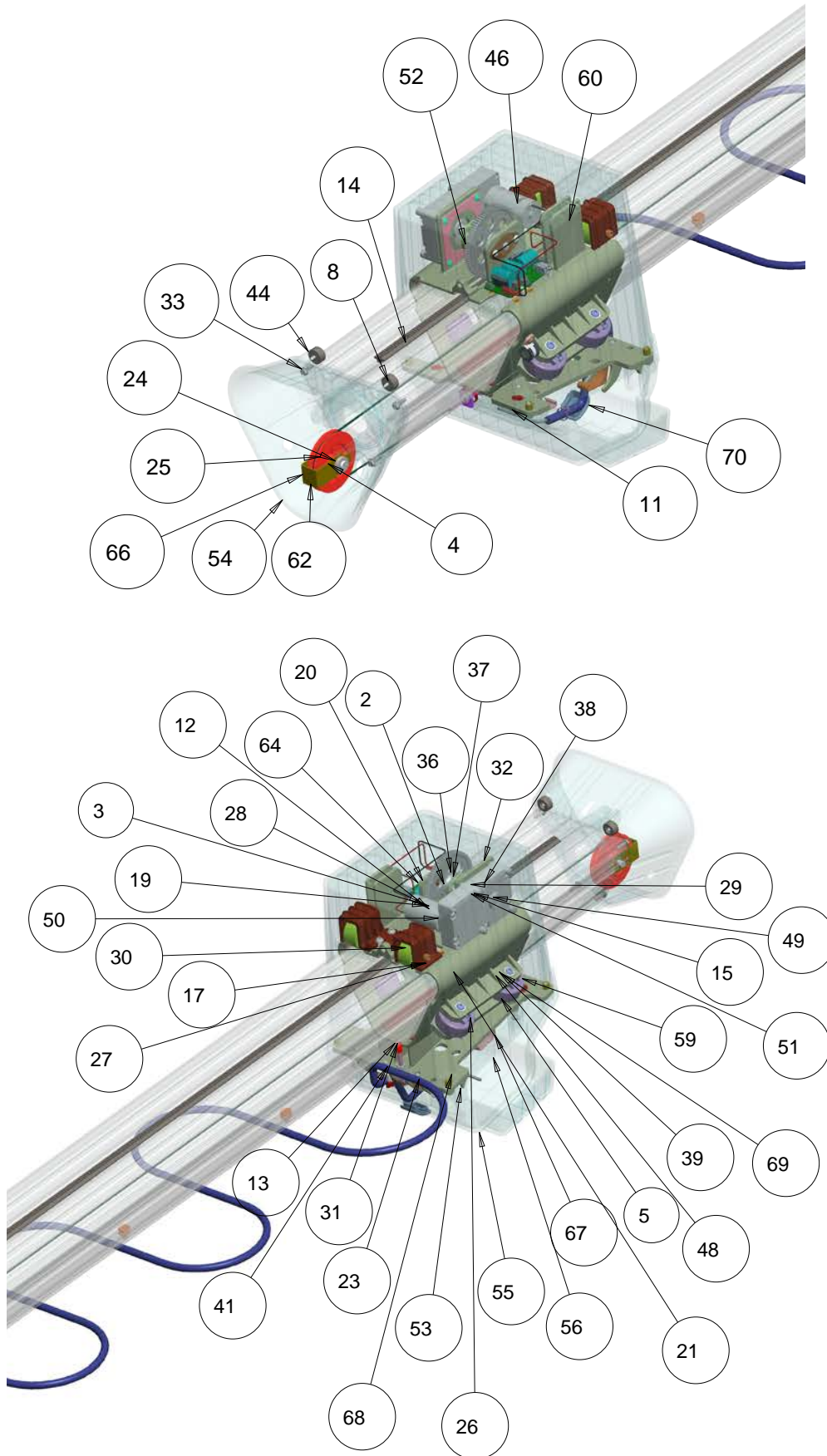
SYM	REQ	PART NO	DESCRIPTION
1	2	1-01737A	NUT-ESNA,M4
2	2	1-11103	M3 X 10MM FLAT HEAD SCREW
3	2	1-1248	WASHER SHAKE PROOF, M3
4	2	1-13633A	NUT-BARB,EXT.WASHER,M5
5	4	1-15033	KEPS NUT - M3
6	2	1-27406A	SCREW - PHM, M3 X 10MM
7	4	1-3347	LOCKWASHER, INTERNAL TOOTH
8	1	2-14258A	ROCKER SWITCH, ILLUMINATED, GREEN
9	2	2-15651A	FUSE HOLDER
10	2	2-18451A	FUSE - 5A SLOW BLOW
11	4	2-31001A	TERMINAL - QUICK CONNECT
12	1	2-37348A	AC RECEPTACLE & LINE FILTER (IEC)
13	2	2-78266A	RECPT, NEMA 5-15 TO IEC
14	1	2-86866A	AC/DC ADAPTOR
15	1	3-21706A	USB HUB-6 PORT POWERED
16	1	8-10219A	STRAIN RELIEF .22-.29" DIA WIRE
17	1	8-23762A	LABEL - EARTH SYMBOL
18	1	86164	LABEL-WARNING, FUSE RATING
19	1	86465	LABEL-WARNING, SHOCK HAZARD
20	1	111245000	LABEL CAUTION ELECTRICAL
21	1	EAA0261P60B	POWER STRIP - 4 CON
22	1	EAA0469J23E	HOST CONTROLLER - SVC KIT
23	1	EAA0473J01B	ELECT. SHELF ASM-V2280
24	2	EAL0345P51A	LABEL FUSE 5 A
25	1	EAL0345P54A	ELECTRICAL WARNING LABEL
26	1	EAS2105J96B	COVER - OUTLET
27	1	EAS2186J77A	BRACKET-USB
28	2	EAW0235J74A	CORD - POWER, PC IN BOX
29	2	EAW0243P22A	LINK WIRE, BROWN
30	2	EAW0243P23A	LINK WIRE,BLUE
31	1	EAW0290J20A	GRND WIRE-6 IN, GR/YL,16 AWG
	1	2-785566B	BASE ANTENNA, MAGNETIC

CAMERA BEAM  
EAA0483J09B



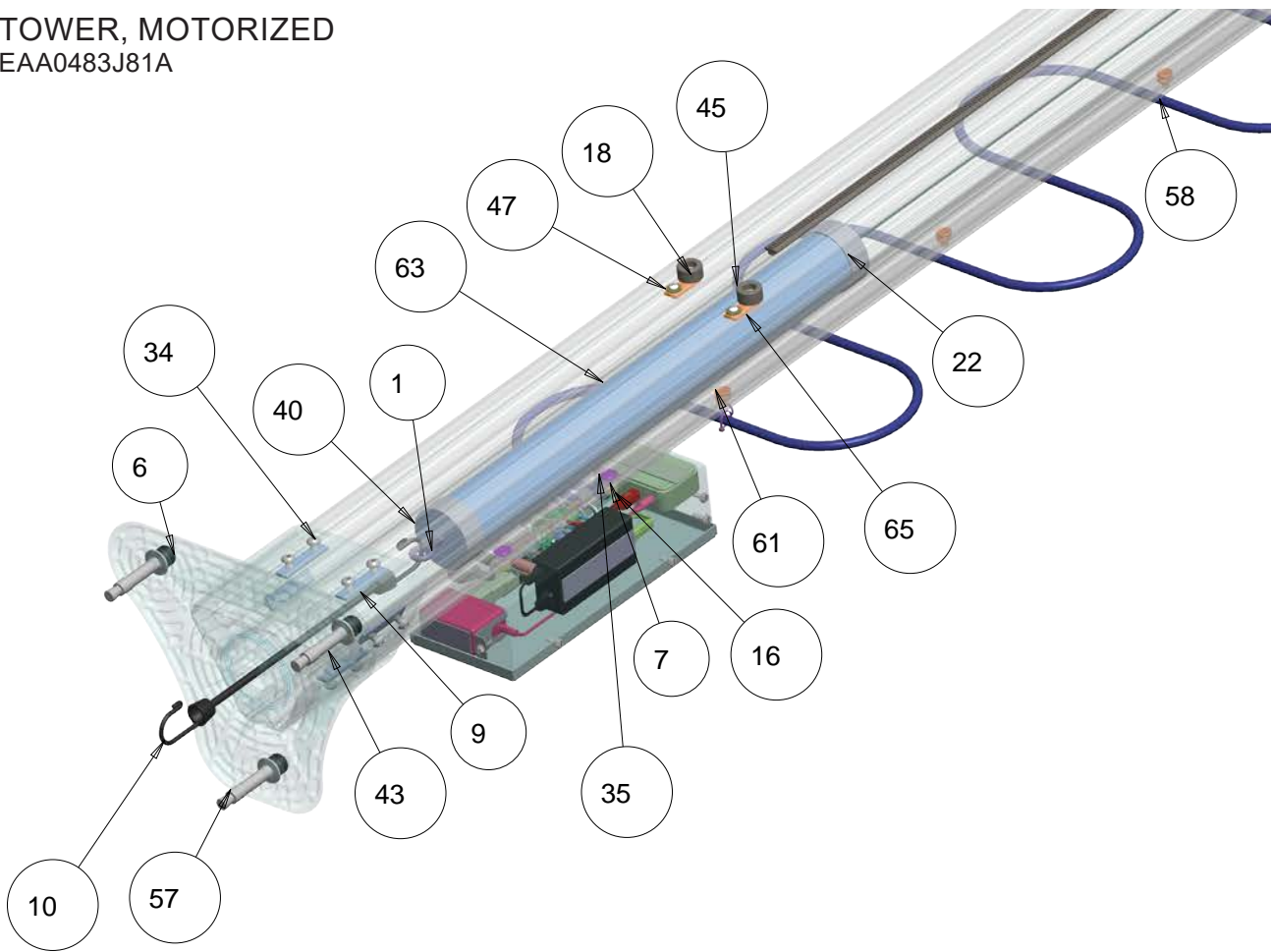
SYM	REQD	PART NO	DESCRIPTION
1	2	1-05148A	WASHER, LOCK, INT - M8
2	8	1-10124A	SCREW - #10-14 X 3/8, SELF TAP
3	5	1-10624A	SCREW - ROUND HD, #4-40 X 5/16
4	4	1-12224A	SCREW - PHM, M3 X 8MM
5	10	1-1337	NUT - ESNA, 5/16 -18
6	1	1-13633A	NUT - KEPS, M5
7	1	1-21484A	GROUNDING SCREW 10-32X1/2"
8	1	1-3347	WASHER - LOCK, M5
9	10	1-705A	BOLT-CARRIAGE 5/16-18 X 3/4
10	1	2-08957A	CLIP - CABLE TIE .170 HOLE
12	1	EAC0124V02A	CAMERA,MOUNT
13	1	EAK0469J94A	KIT, VECTOR CAMERA
14	1	EAK0350J99A	PROCESSOR BOARD,
15	1	EAC0129J49A	EXTRUSION - CAMERA
16	1	EAC0129J59A	COVER - CAMERA, LEFT
	1	EAC0129J61A	COVER, RIGHT - CAMERA
17	1	EAC0129J60A	COVER - LEFT, BACK
	1	EAC0129J62A	COVER, RIGHT, BACK
20	1	EAL0452J84B	DECAL-VODI, LEFT
	1	EAL0452J86B	DECAL-VODI, RH
22	4	EAM0120J97A	CORD COVER- GRAY - BEAM
23	1	EAS2203J15A	COVER - PROC
24	1	EAS2203J16A	BRACKET - PROC
25	3	EAW0291V01A	ETHERNET CABLE
26	3	EAW0391V02A	CABLE - POWER

TOWER, MOTORIZED  
EAA0483J81A





TOWER, MOTORIZED  
EAA0483J81A



SYM	REQ	PART NO	DESCRIPTION
1	1	1-01830A	BLOT - EYE, 1/4-20 X 1
2	1	1-02863A	BEARING- FLANGE MTD
3	1	1-03382A	CLAMP METAL, 1/2
4	1	1-03955A	CLEVIS PIN, ULTRA
5	4	1-04438A	NUT - ESNA, 1/4-20
6	3	1-04476A	PLUG HOLE-NUT COVERS
7	2	1-05148A	WASHER, LOCK, INT - M8
8	2	1-07424A	SCREW - #8-18, SELF TAP, TYPE B
9	5	1-08039A	NUT-DOUBLE
10	1	1-08584A	BUNGEE CORD
11	2	1-10033	NUT - LOCK, M8
12	1	1-10124A	SCREW - #10-14 X 3/8, SELF TAP
13	1	1-10376A	CAP - SCREW VINYL
14	12	1-10624A	SCREW - ROUND HD, #4-40 X 5/16
15	2	1-12944A	SPACER - .PULLY .62 OD X .13 LG
16	2	1-1337	NUT - ESNA, 5/16 -18
17	16	1-18441A	WASHER-#10
18	2	1-18741A	WASHER - FLAT
19	1	1-18941A	WASHER-FLAT, .195 X .619 X .06 THICK
20	3	1-19961A	SPACER, #6 SCREW, .25OD X .38 LG
21	2	1-21203A	FHCS - M8 X 1.25, 20MM
22	4	1-24533A	NUT - HEX, LOCK 1/4-20
23	18	1-2509	SCREW - BHC, 1/4-20 X 5/8

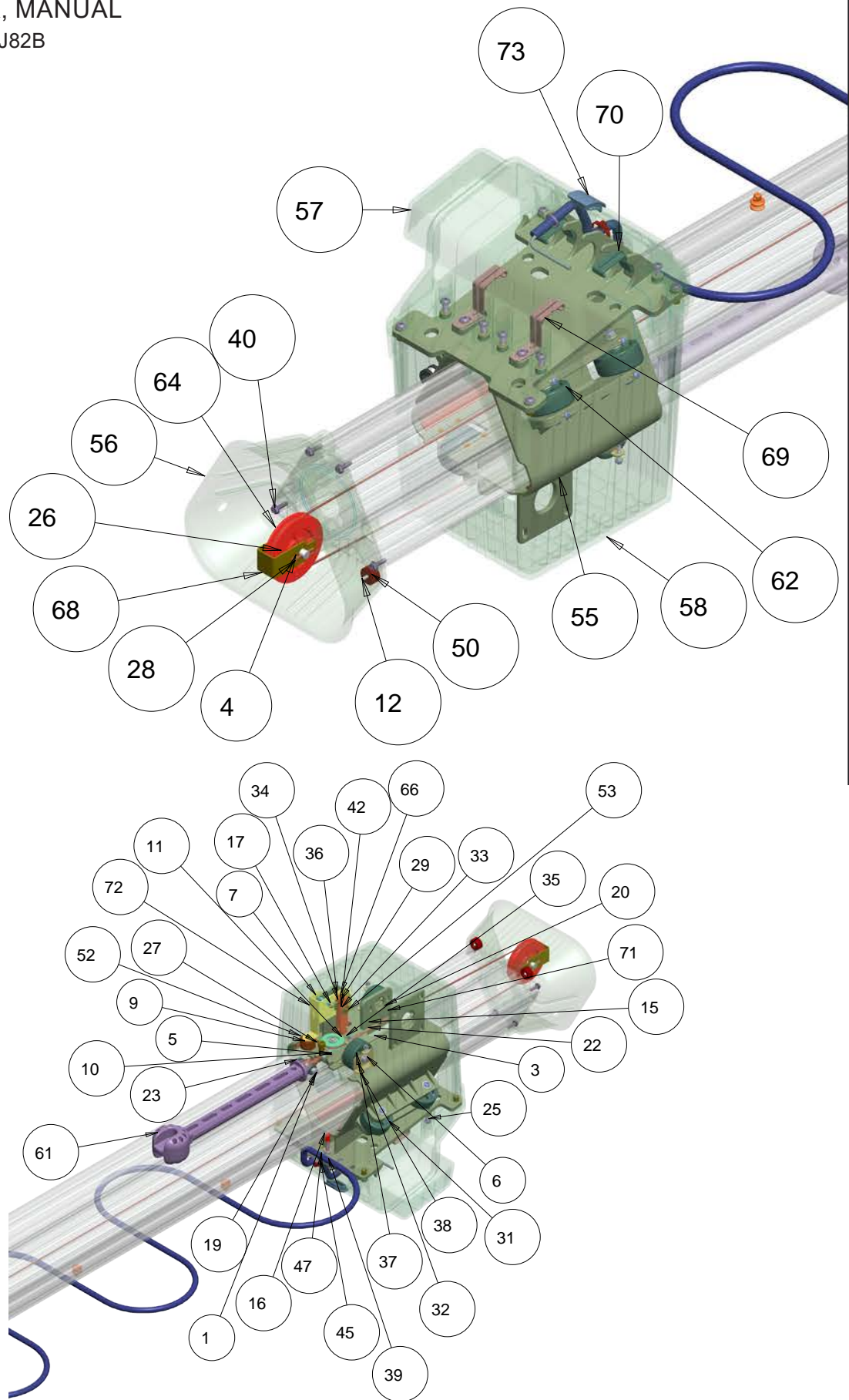
## TOWER, MOTORIZED

EAA0483J81A

24	3	1-27988A	WASHER - FLAT, .812OD X .406ID
25	1	1-29252A	PIN - COTTER
26	8	1-38406A	MSCR, PH PHIL 6/32 X 5/8 W/LOK
27	4	1-39084A	SCREW - BHC, 1/4-20 X 2.25
28	3	1-39584A	SCREW - RH, #4-20 X 5/8, SELF TAP
29	2	1-39909A	SCREW - BHC, M6X20MM
30	2	1-40084A	SCREW - SHC, 1/4-20 X 1.50
31	1	1-40984A	SCREW - SHC, 1/4-20 X 2.25 FULL THD
32	4	1-4806	SCREW - PHM, #10-32 X 1 3/4
33	4	1-48701A	SCREW - HHW, #10-24 X 5/8, TYPE F
34	10	1-39706B	SCREW - BHC, 5/16-18 X 5/8
35	2	1-705A	BOLT-CARRIAGE 5/16-18 X 3/4
36	6	1-7106	SCREW - PHM, #10-24 X 1/2
37	2	1-7733	NUT - LOCK, #10-24
38	1	2-89166A	GEAR MOTOR, 12V
39	2	5-07145A	TIE - CABLE
40	2	5-10426A2	TAPE - VELCRO, BLACK
41	1	5-10845A	MOUNT - CABLE TIE
42	12	5-2345	TIE CABLE
43	3	8-02440A	STUD ANCHOR BOLT, 1/2 X 3.75"
44	2	8-08018A	RUBBER FOOT
45	2	8-16618A	BUMPER, 5/16 HT, 1.0 OD
46	2	8-37439A	WHEEL - TOWER
47	2	61746	WASHER - FLAT, #10 BLACK
48	1	EAA0321J17A	CABLE - CW
49	1	EAA0321J63A	PLATE ASM. - MOTOR LOCK, UA
50	4	EAC0079J66A	GEAR - RACK, DIE CAST
51	1	EAC0116J34A	GEAR - SPUR, MOLDED
52	2	EAC0116J41A	CLAMP 3/4", SPLIT
53	1	EAC0129J50A	CARRIAGE - TOWER
54	1	EAC0129J51A	CAP - TOP, TOWER
55	1	EAC0129J52A	COV - REAR, TOWER
56	1	EAC0129J53A	COV - FRONT, TOWER
57	1	EAA0483J98A	BASE - TOWER
58	1	EAC0129J55A	EXTRUSION - TOWER
59	4	EAC0129J57A	WHEEL - TOWER
60	1	EAC0129J79A	BRACKET - WHEEL, FRONT
61	5	EAC0129J80A	TAB - SLIDE, TOWER
62	1	EAM0044J05A	PULLEY - TOWER
63	1	EAM0120J94A	WEIGHT - COUNTER, TOWER
64	1	EAP0300J73A	PCB - MOTOR CONTROL
65	2	EAS2072J84A	PLATE - STRAIN RELIEF
66	1	EAS2203J13A	COV - PULLEY
67	2	EAS2203J17A	BRACE - TOP, BEAM
68	2	EAS2203J18A	BRACE - BOT, BEAM
69	1	EAS2203J65A	BRACKET - CARRIAGE
70	1	EAC0129J81A	PLUG - COVER

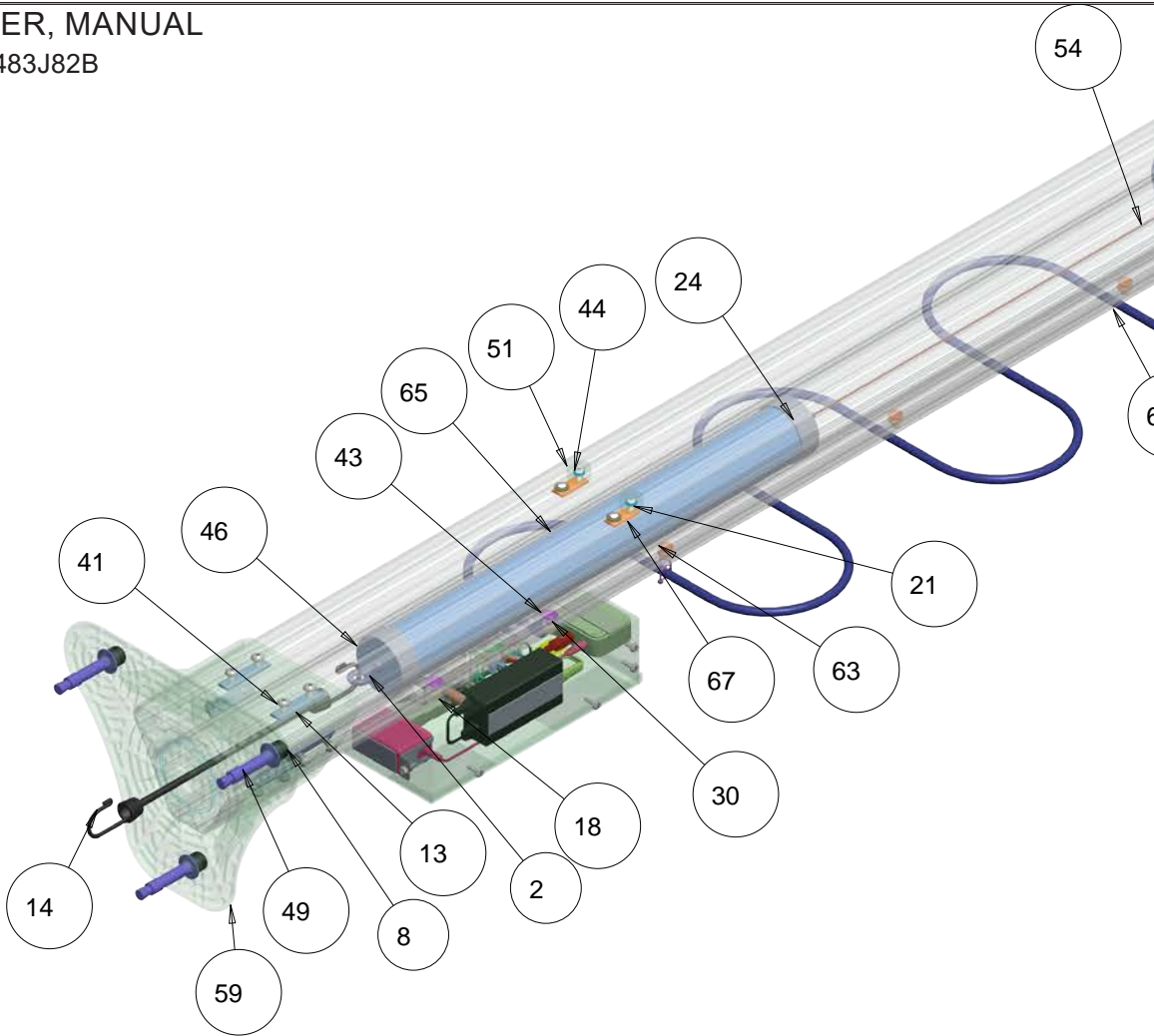


TOWER, MANUAL  
EAA0483J82B



# TOWER, MANUAL

EAA0483J82B



SYM	REQ	PART NO	DESCRIPTION
1	1	1-01637A	NUT - LOCK, M6
2	1	1-01830A	BLOT - EYE, 1/4-20 X 1
3	1	1-03382A	CLAMP METAL, 1/2
4	1	1-03955A	CLEVIS PIN, ULTRA
5	2	1-04338A	NUT - LOCK, 5/16-24
6	7	1-04438A	NUT - LOCK, 1/4-20
7	1	1-04455A	PIN - CLEVIS/RET. RING
8	3	1-04476A	PLUG HOLE-NUT COVERS
9	1	1-04538A	NUT - LOCK, #8-32
10	1	1-04555A	CLEVIS - MANUAL
11	1	1-05384A	PULLEY - CABLE ROUTING
12	2	1-07424A	SCREW - #8-18, SELF TAP, TYPE B
13	5	1-08039A	NUT-DOUBLE
14	1	1-08584A	BUNGEE CORD
15	1	1-10124A	SCREW - #10-14 X 3/8, SELF TAP
16	1	1-10376A	CAP - SCREW VINYL
17	1	1-12568A	SPRING - EXT, BRAKE
18	2	1-1337	NUT - ESNA, 5/16 -18
19	1	1-16809	SCREW - SHC, M6 X 40MM
20	23	1-18441A	WASHER-#10
21	2	1-18741A	WASHER - FLAT
22	1	1-18941A	WASHER-FLAT, .195 X .619 X .06 THICK

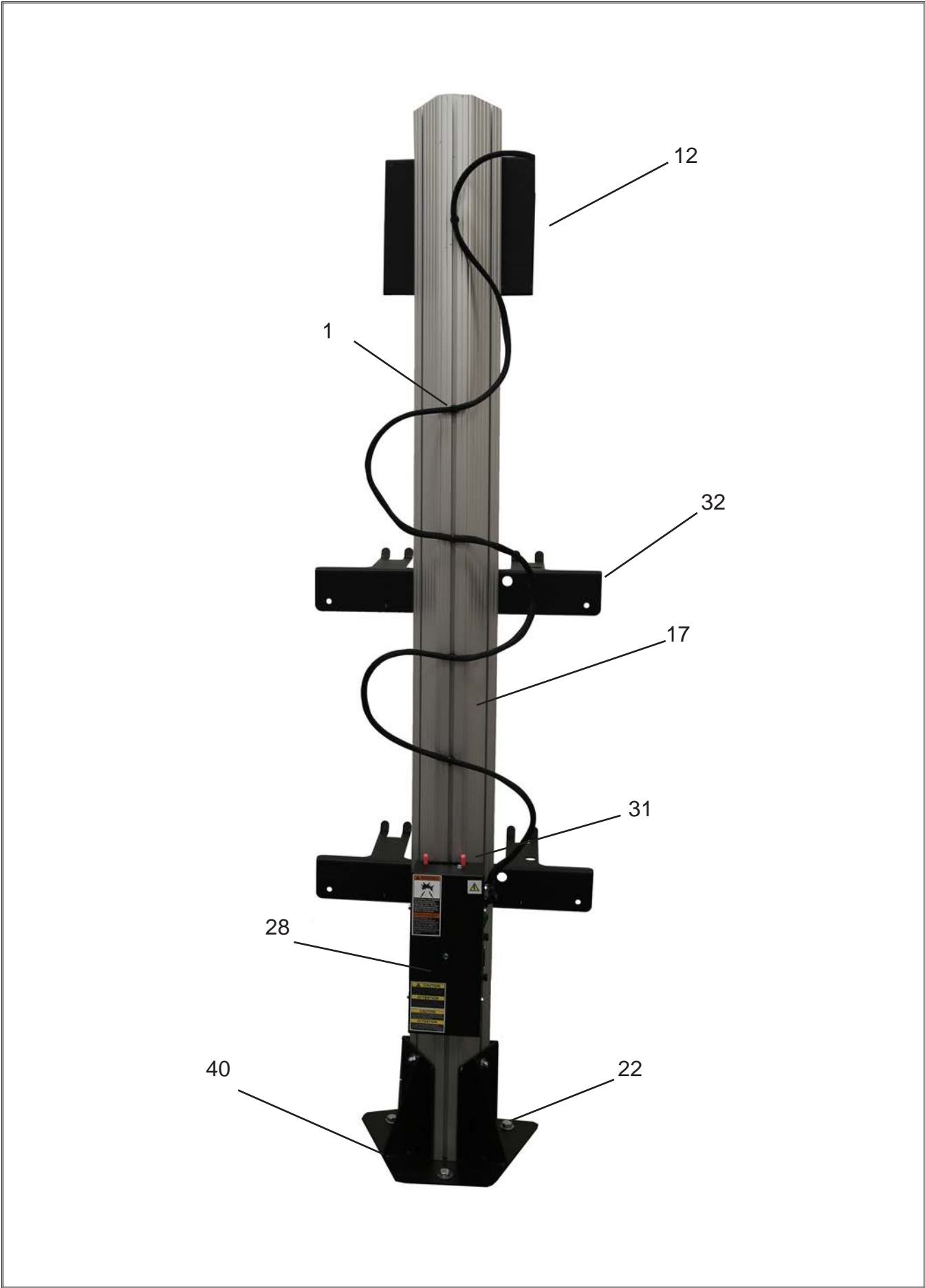
## TOWER, MANUAL

EAA0483J82B

23	2	1-21141A	WASHER - FLAT, M6
24	2	1-24533A	NUT - HEX, LOCK 1/4-20
25	16	1-2509	SCREW - BHC, 1/4-20 X 5/8
26	3	1-27988A	WASHER - FLAT, .812OD X .406ID
27	1	1-28688A	SCREW - SHOULDER, 1/4-20
28	1	1-29252A	PIN - COTTER
29	2	1-29533A	NUT - HEX, #10-32, NARROW
30	2	1-3048	M8 EXT WASHER
31	8	1-38406A	MSCR, PH PHIL 6/32 X 5/8 W/LOK
32	4	1-39084A	SCREW - BHC, 1/4-20 X 2.25
33	2	1-39184A	SCREW - BHC, #8-32 X 1/2
34	1	1-39784A	SCREW - SHC, #10-32 X 1.50
35	4	1-39884A	SCREW - HHW, 8-32 X 3/4
36	1	1-39984A	SCREW - #8-32 X 3/4, SELF TAP
37	2	1-40084A	SCREW - SHC, 1/4-20 X 1.50
38	8	1-40184A	SCREW, SHC, 1/4-20 X 1/4
39	1	1-40984A	SCREW - SHC, 1/4-20 X 2.25 FULL THD
40	4	1-48701A	SCREW - HHW, #10-24 X 5/8, TYPE F
41	10	1-54009A	SCREW - BHC, 5/16-18 X 5/8
42	1	1-541	WASHER STEEL
43	2	1-705A	BOLT-CARRIAGE 5/16-18 X 3/4
44	4	1-7106	SCREW - PHM, #10-24 X 1/2
45	1	5-07145A	TIE - CABLE
46	2	5-10426A2	TAPE - VELCRO, BLACK
47	1	5-10845A	MOUNT - CABLE TIE
48	12	5-2345	TIE CABLE
49	3	8-02440A	STUD ANCHOR BOLT, 1/2 X 3.75"
50	2	8-08018A	RUBBER FOOT
51	2	8-16618A	BUMPER, 5/16 HT, 1.0 OD
52	1	8-16718A	BUMPER - RUBBER, BRAKE
53	5	61746	WASHER - FLAT, #10 BLACK
54	1	EAA0321J17A	CABLE ASM - CW
55	1	EAC0129J50A	CARRIAGE - TOWER
56	1	EAC0129J51A	CAP - TOP, TOWER
57	1	EAC0129J52A	COV - REAR, TOWER
58	1	EAC0129J53A	COV - FRONT, TOWER
59	1	EAA0483J98A	BASE - TOWER
60	1	EAC0129J55A	EXTRUSION - TOWER
61	1	EAC0129J56A	HANDLE - TOWER
62	6	EAC0129J57A	WHEEL - TOWER
63	5	EAC0129J80A	TAB - SLIDE, TOWER
64	1	EAM0044J05A	PULLEY - TOWER
65	1	EAM0120J94A	WEIGHT - COUNTER, TOWER
66	1	EAS2022J63A	BRAKE LEVER, ADJUST
67	2	EAS2072J84A	PLATE - STRAIN RELIEF
68	1	EAS2203J13A	COV - PULLEY
69	2	EAS2203J17A	BRACE - TOP, BEAM
70	2	EAS2203J18A	BRACE - BOT, BEAM
71	4	EAS2203J33A	BRACKET - WHEEL, MANUAL
72	1	EAS2203J41A	BRAKE - BODY, PIVOT
73	1	EAC0129J81A	PLUG - COVER

EAK0363J05A - KIT – TALL POST, V2000

ITEM	REQ	PART NUMBER	DESCRIPTION
1	5	EAC0129J80A	TAB – SLIDE, TOWER
2	5	5-2345	TIE - CABLE
12	1	EAS2203J63B	BRACKET, BEAM TO POST
13	4	1-11733A	NUT – BLK (M8)
14	2	1-705A	BOLT, CARRIAGE, 5/16-18 X 3/4"
15	2	1-1337	NUT, 5/16-18, NYLOCK
16	2	1-2541	WASHER, FLAT, 5/16
17	1	EAC0129J55A	EXTRUSION, TOWER, TRIANGLE, 105"
18	1	EAA0483J98A	BASE, TOWER
19	5	6-0739	SHIM, 1/16 THK
20	4	6-0740	SHIM, 1/8 THK
21	3	1-04476A	PLUG, HOLE, NUT COVER
22	3	8-02440A	STUD, ANCHOR BOLT, 1/2X3.75"
25	4	1-4947	LK WASH-INTL TOOTH, BLACK
28	1	EAA0483J21A	SUP – POW, BEAM
31	2	EAE0078J14A	WIFI USB RADIO
32	2	EAA0446J76C	HANGER ASM-AC200 (2)
33	16	1-39706B	SCREW – T, M8, BLACK, W/ NUT
34	1	1-08508A	WELDNUT – 1/4-20
35	1	1-2509	BHSCS 1/4-20 X 5/8
36	1	1-1646	WASHER-LW 1/4 ZINC
37	1	1-03382A	CLAMP METAL
38	1	8-60860A	INSERTS - MOVEABLE
39	4	1-56410A	SSCR W/FLAT POINT – M8 X 20MM (BLK)
40	8	EAS2223J10A	WASHER – BASE, TOWER

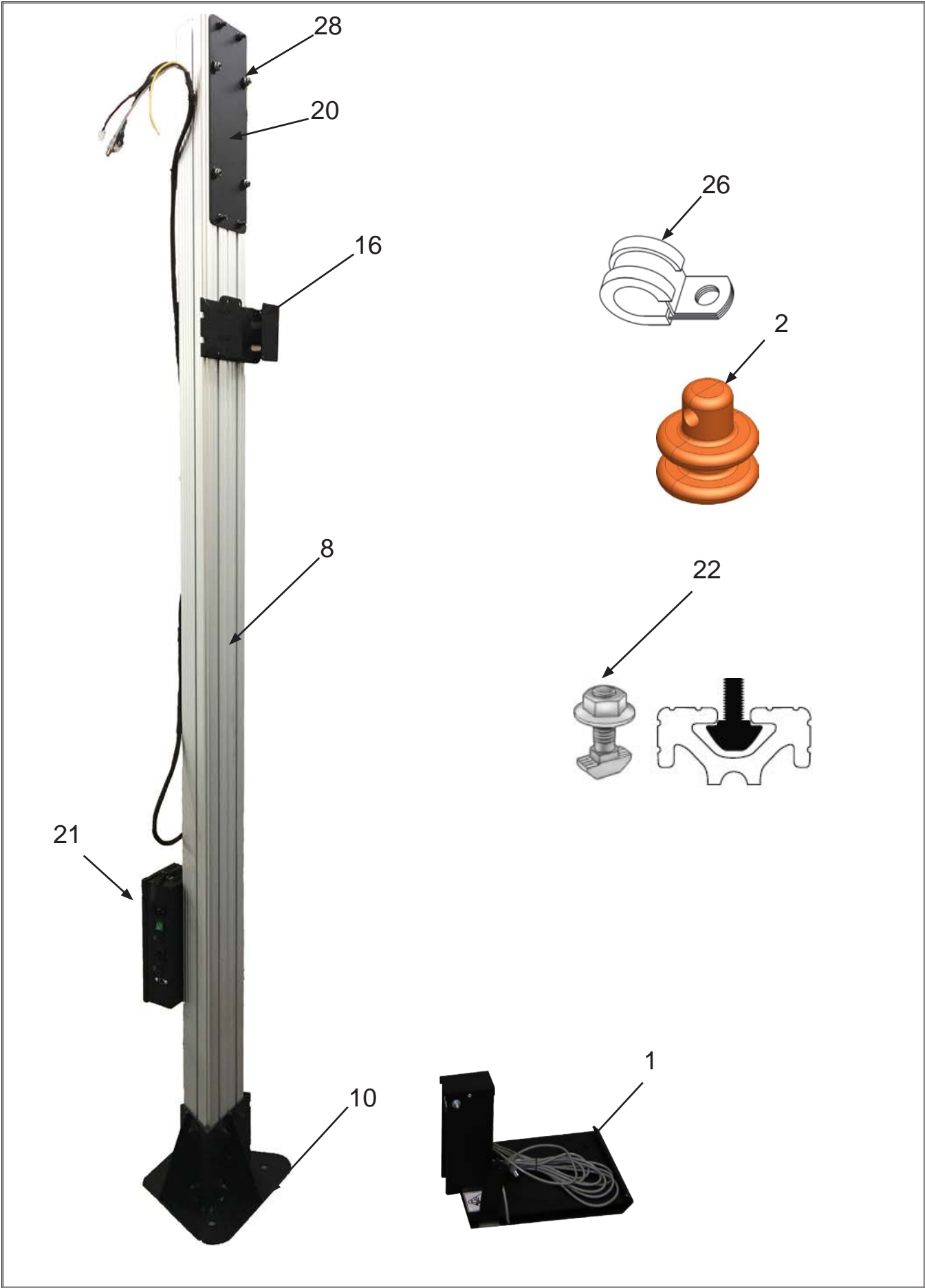


27

Part numbers and descriptions are for reference purposes only. Not all parts shown are stocked as service parts, consult your parts depot warehouse for availability.

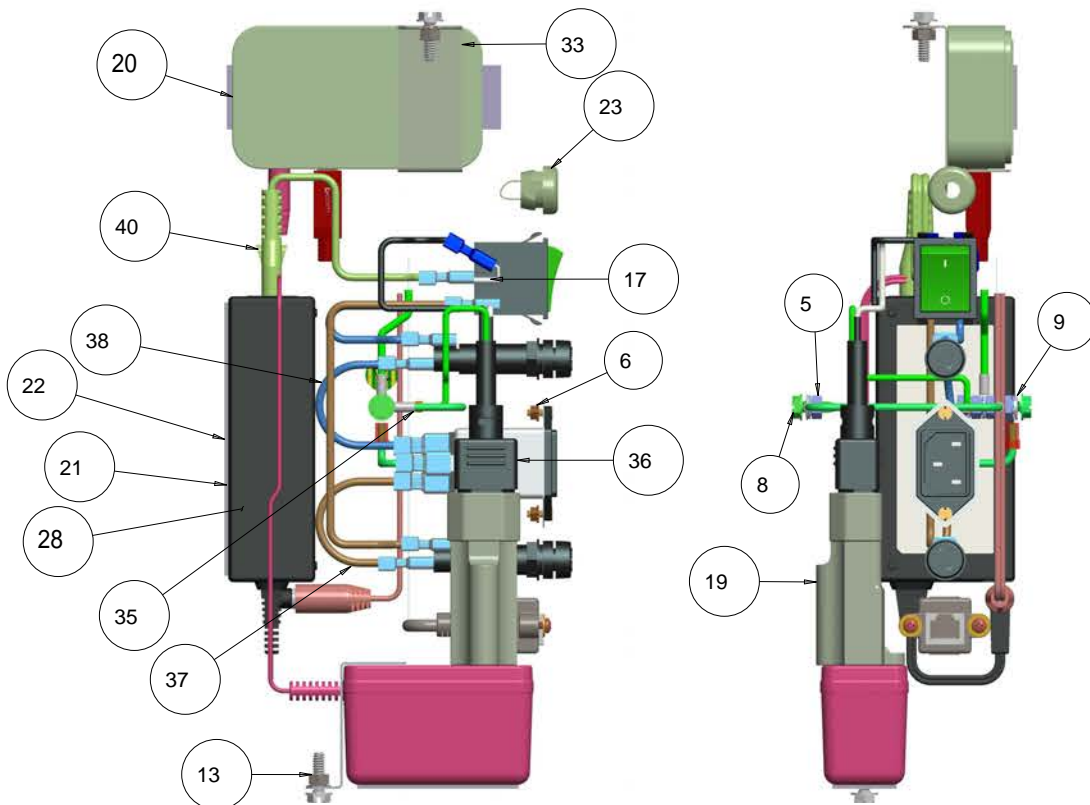
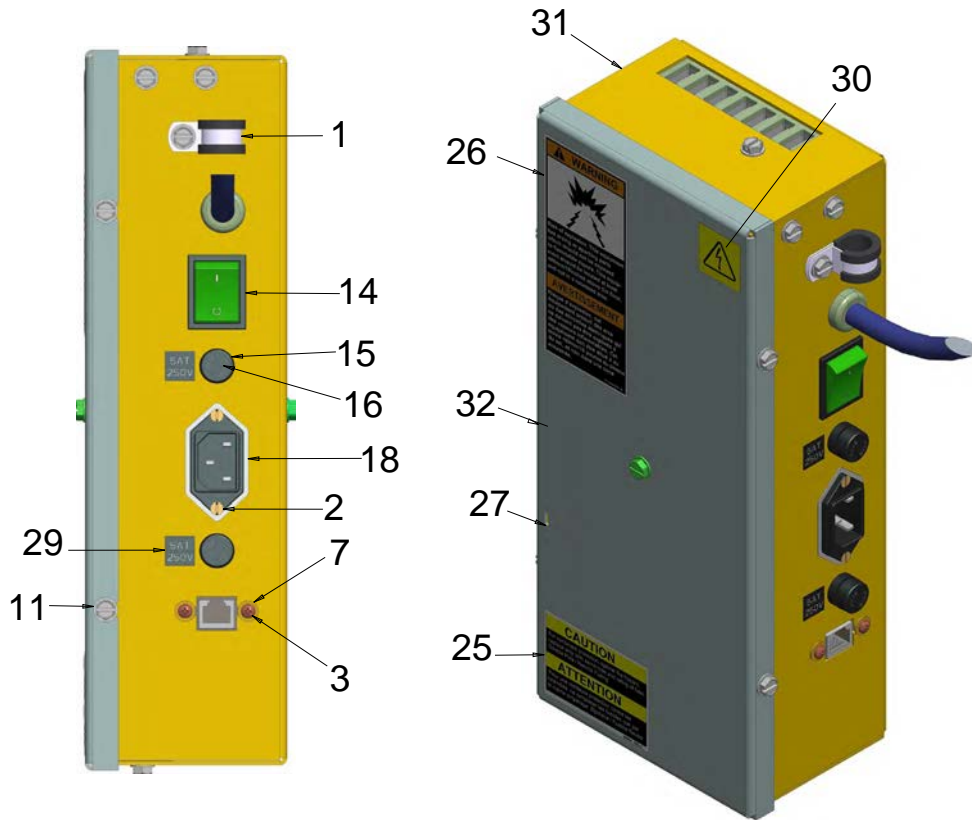
EAK0350J85A - KIT – TALL POST, TILT BEAM  
 EAK0350J88A - KIT – TALL POST  
 EAK0350J89A - KIT – SHORT POST

ITEM	REQ	PART NUMBER	DESCRIPTION
1	1	EAK0289J64A	KIT, TILT BEAM
2	5	EAC0129J80A	TAB – SLIDE, TOWER
3	5	5-2345	CABLE TIE
4	1	EAS2203J63B	BRACKET, BEAM TO POST
5	4	1-11733A	NUT – BLK (M8)
8	1	EAC0129J55A	EXTRUSION, TOWER, TRIANGLE, 105"
	1	EAM0157J46A	EXTRUSION, TOWER, TRIANGLE, 78"
10	1	EAA0483J98A	BASE, TOWER
11	5	6-0739	SHIM, 1/16 THK
12	4	6-0740	SHIM, 1/8 THK
13	3	1-04476A	PLUG, HOLE, NUT COVER
14	3	8-02440A	STUD, ANCHOR BOLT, 1/2X3.75"
15	1	TEAK0350J88A	INSTALL INSTRUCTION
16	1	EAS2203J69A	BRACKET, LCD, POST MOUNT
17	4	1-4947	LK WASH-INTL TOOTH, BLACK
20	1	EAA0483J97A	BEAM MOUNTING BRACKET
21	1	EAA0483J21A	ELECTRICAL BOX (COMES WITH HARNESS)
22	18	1-39706B	SCREW – T, M8, BLACK, W/NUT
23	1	1-08508A	WELDNUT – 1/4-20
24	1	1-2509	BHSCS 1/4-20 X 5/8
25	1	1-1646	WASHER-LW 1/4 ZINC
26	1	1-03382A	CLAMP METAL
27	1	8-60860A	INSERTS – MOVEABLE
28	4	1-56410A	SSCR W/FLAT POINT – M8 X 20MM (BLK)
29	8	EAS2223J10A	WASHER – BASE, TOWER





ELECTRICAL BOX - V2000, V2100, V2260, V2280, V2380  
EAA0483J21A



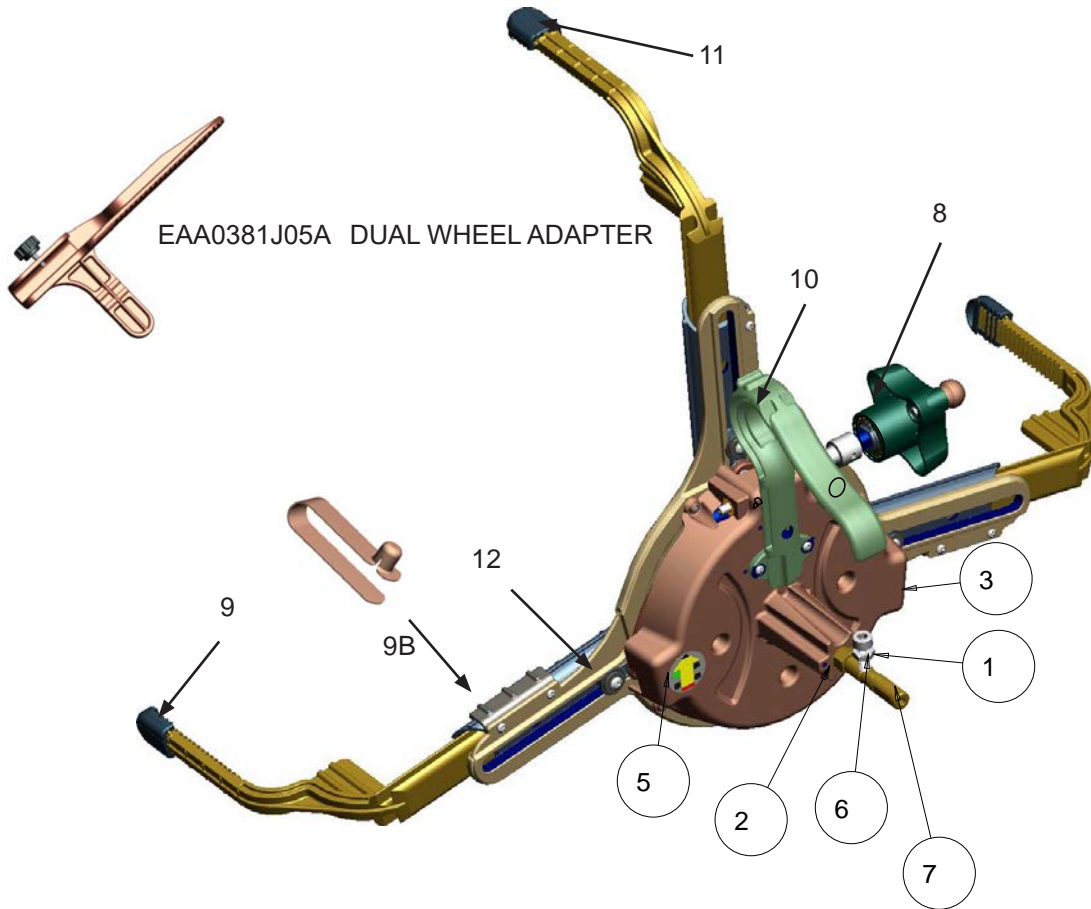
30

Part numbers and descriptions are for reference purposes only. Not all parts shown are stocked as service parts, consult your parts depot warehouse for availability.



REF	QTY	PART NUMBER	DESCRIPTION
1	1	1-03382A	CLAMP METAL, 1/2
2	2	1-11103	SCREW - FHM, M3 X 10MM
3	2	1-12224A	SCREW - PHM, M3 X 8MM
5	5	1-13633A	NUT - KEPS, M5
6	2	1-15033	NUT - KEPS, M3
7	2	1-16341A	WASHER - FLAT (3MM), 9MM OD
8	1	1-21484A	GROUNDING SCREW 10-32X1/2"
9	3	1-3347	WASHER - LOCK, M5
10	1	1-38984A	SCREW - HHW, GND, #10-32 X 1.0
11	11	1-162601A	MSCR-RND HD, 10-24X1/2 BLK
13	2	1-7733	NUT - KEPS, #10-24
14	1	2-14258A	ROCKER SWITCH, ILLUMINATED, GREEN
15	2	2-15651A	FUSE HOLDER
16	2	2-18451A	FUSE - 5A SLOW BLOW
17	2	2-31001A	TERMINAL - QUICK CONNECT
18	1	2-37348A	AC RECEPTACLE & LINE FILTER (IEC)
19	1	2-78266A	RECPT, NEMA 5-15 TO IEC
20	1	3-23106A	USB HUB - 7 PORT, EXT. POWER
21	3	5-14426A	VELCRO LOOP
22	3	5-14526A	VELCRO HOOK
23	1	8-10319A	STRAIN RELIEF .38-.40" DIA, CABLE
24	2	8-23762A	LABEL - EARTH SYMBOL
25	1	86164	LABEL-WARNING, FUSE RATING
26	1	111243	LABEL-WARNING EXPLOSION
27	1	111245	LABEL CAUTION ELECTRICAL
28	1	EAE0049J84C	POWER SUPPLY 19VDC
29	2	EAL0345P51A	LABEL FUSE 5 A
30	1	EAL0345P54A	ELECTRICAL WARNING LABEL
31	1	EAS2203J19A	COV - BACK, POW
32	1	EAS2203J20A	COV - FRONT, POW
33	1	EAS2203J30A	BRACKET-USB
34	1	EAS2203J37A	BRACKET-PLUG
35	1	EAW0235J36A	CABLE ASM - GROUND 12"
36	1	EAW0235J74A	CORD - POWER, PC IN BOX
37	2	EAW0243P22A	LINK WIRE, BROWN
38	2	EAW0243P23A	LINK WIRE, BLUE
39	1	EAW0290J20A	GRND WIRE - 6 IN, GR/YL, 16 AWG
40	1	EAW0290J47A	CORD - POWER, IEC C7, FIGURE 8
41	1	EAW0290J56A	CABLE - SNAKE
		2-9066A	USB DUST COVER
		EAC0129J82A	GASKET-ELECT BOX

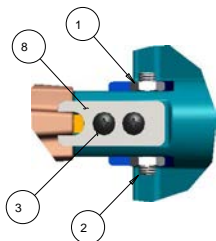
AC400 WHEEL CLAMP  
EAA0361J99A



EAK0320J33A (FRONT) KIT PARTS LIST:  
PART NUMBER DESCRIPTION  
EAA0395J13C XD TARGET ASM, FRONT



EAK0305J73A (REAR) KIT PARTS LIST:  
PART NUMBER DESCRIPTION  
EAA0381J35A XD TARGET ASM, REAR  
EAM0088J15A\* BUSHING - AC400, SP



SYM	REQ	PART NO	DESCRIPTION
1	2	1-20733A	NUT - JAM, M8
2	2	1-54810A	SCREW - SET. M8 X 20mm, CONE PT
3	2	1-16006A	SCREW - PHM, M5 X 12mm
8	1	EAS2146J24A	PLATE - ANIT ROTATION, AC400

SYM	REQD	PART NO	DESCRIPTION
1	1	1-20733A	NUT - JAM, M8
2	2	1-62609A	SCREW - SHC, #6-32 X 1/2
3	1	EAA0361J99A	DNH - LEFT CLAMP ASM. DNH - RIGHT CLAMP ASM.
4	1	EAA0381J34A	XD TARGET ASM - FRONT
5	1	EAL0415J09A	DECAL - LEFT FRONT, INDICATOR
		EAL0415J10A	DECAL LEFT REAR
		EAL0415J11A	DECAL RIGHT REAR
		EAL0415J12A	DECAL RIGHT FRONT
6	1	EAM0007J19A	SCREW - SHC, M8 SPECIAL
7	1	EAM0088J15A	BUSHING - AC400, SP
8		EAA0381J12A	KIT - KNOB SERVICE
9		EAA0381J13A	BRACKET PAW - SVC KIT
9B		1-25752A	QUICK RELEASE BUTTON
10		EAC0105J78A	HANDLE
11		EAC0105J93A	AC400 BUMPER TIGER PAW (RUBBER TIP ONLY)
12		EAK0320J22A	PLASTIC WASHER REPAIR KIT (TSB WA-1185-1)

**NOTE: There are NO Service items other than what is listed in this parts reference. At no time should a wheel clamp be disassembled in the field for repair.**

#### ACCESSORIES

EAK0305J50A	KIT DUAL WHEEL ADAPTER (6)
EAA0381J05A	DUAL WHEEL ADAPTER (1)
EAK0222J83B	WHEELS OFF ADAPTER KIT

EAA0395J11A	AC400 - FRONT RIGHT, 6X8		
EAA0395J12A	AC400 - FRONT LEFT, 6X8		
DESCRIPTION			
1	2	1-20733A	NUT - JAM, M8
2	2	1-54810A	SCREW - SET. M8 X 20mm, CONE PT
3	1	1-62609A	SCREW - SHC, #6-32 X 1/2
4	1	EAA0361J99A	DNH - CLAMP ASM.
5	1	EAA0395J13A	XD TARGET ASM - FRONT, 6X8
6	1	EAL0415J12A	DECAL - RIGHT FRONT, INDICATOR
	1	EAL0415J09A	DECAL - LEFT FRONT, INDICATOR
7	1	EAM0088J15A	BUSHING - AC400, SP
EAA0381J19A	DNH - REAR RIGHT, SP		
EAA0381J20A	DNH - REAR LEFT, SP		
1	2	1-20733A	NUT - JAM, M8
2	1	1-62609A	SCREW - SHC, #6-32 X 1/2
3	1	EAA0361J99A	DNH - CLAMP ASM.
4	1	EAA0381J35A	XD TARGET ASM - REAR
5	1	EAL0415J10A	DECAL - LEFT REAR, INDICATOR
	1	EAL0415J11A	DECAL - RIGHT REAR, INDICATOR
6	2	1-54810A	SCREW - SET. M8 X 20mm, CONE PT
7	1	EAM0088J15A	BUSHING - AC400, SP

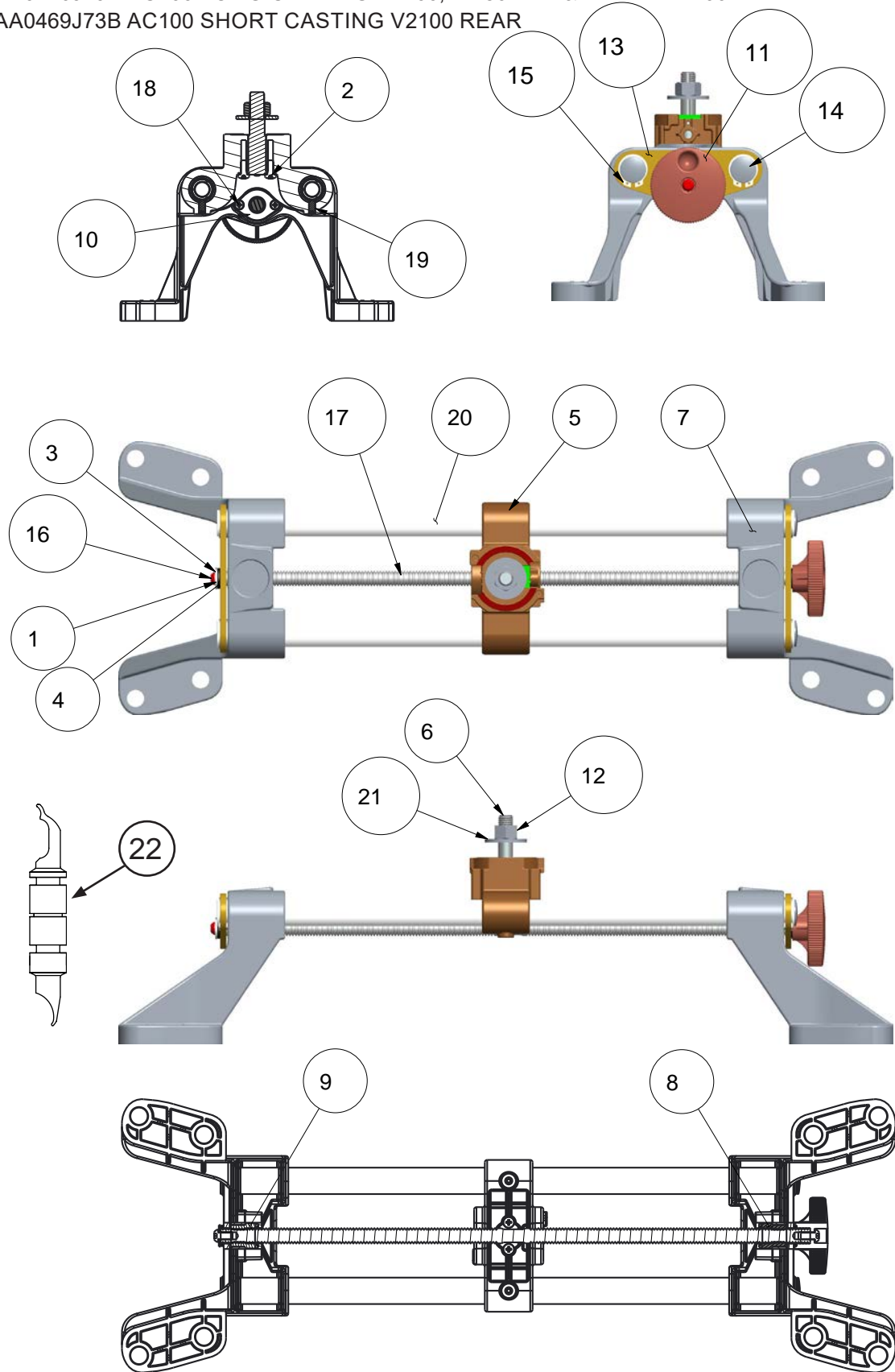
# WHEEL CLAMP

EAA0446J79A AC200 LONG CASTING V2260,V2280 FRT & REAR - V2100 FRT

EAA0469J73A AC200 SHORT CASTING V2100

EAA0446J79B AC100 LONG CASTING V2260,V2280 FRT & REAR - V2100 FRT

EAA0469J73B AC100 SHORT CASTING V2100 REAR



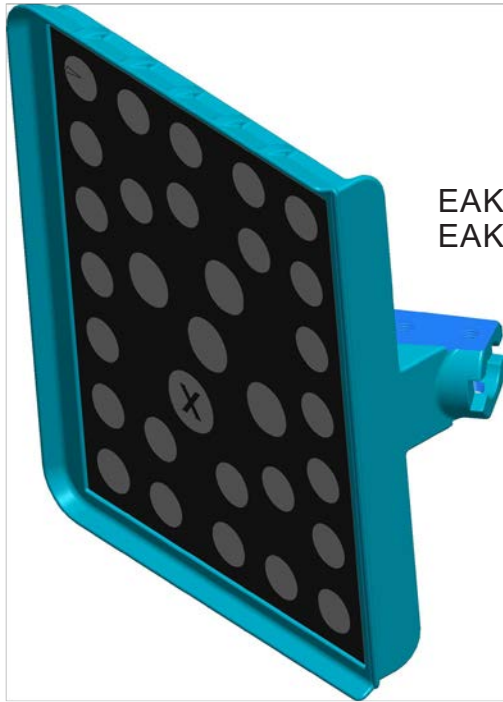
SYM	REQ	PART NO	DESCRIPTION
1	1	1-14144A	WASHER-FLAT, M6
2	2	1-16006A	SCREW,PH,M5X12MM,BLK
3	2	1-3447	LOCKWASHER M6,INT.Tooth
4	2	EAC0079J52A	WASHER-THRUST,PLASTIC
5	1	EAC0133V03A	BRACKET, CENTER
6	1	EAM0143V05A	SHAFT-TARGET, SHORT
7	2	EAC0133V01A	BRACKET, HIGH FOOT
	2	EAC0133V02A	BRACKET, LOW FOOT
8	1	EAM0044J24A	BUSHING-THREADED,BRASS,LH
9	1	EAM0044J20A	BUSHING-THREADED,BRASS,RH
10	2	EAC0079J50A	COVER-FEED SCREW,LOCK
11	1	EAC0133V04A	KNOB, WHEEL CLAMP
12	1	1-933	NUT-1/2-13 HEX
13	2	EAS2191V01A	PLATE-RETAINER, SMALL
14	2	EAC0079J51B	PLUG-RUBBER, 19MM HOLE
15	8	1-17677A	RING-RETAINING,21MM,ZN
16	2	1-23988A	SCREW-BHCS, M6X12MM
17	1	EAM0143V03A	SCREW-DOUBLE LEAD, LONG (AC200)
	1	EAM0143V04A	SCREW-DOUBLE LEAD, SHORT (AC100)
18	4	1-26506A	SCREW-PHMS,M4×0.7MM×25MM
19	2	1-22188A	SET SCREW,M6×12MM
20	2	EAM0143V01A	TUBE-WHEEL CLAMP, LONG (AC200)
	2	EAM0143V02A	TUBE-WHEEL CLAMP, SHORT (AC100)
21	1	1-1041	WASHER-FLAT, 1/2 ZINC
22		EAK0268J41B	DUAL END GRABBER KIT (4 PER KIT)501

REQ	PART NO.	DESCRIPTION
4	1-08584A	CORD-BUNGEE, BLACK 16"

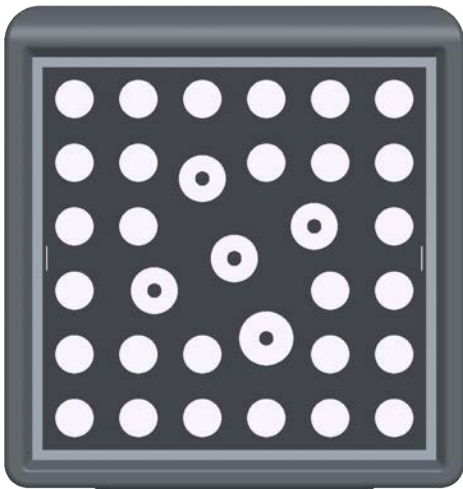
REQ	PART NO	DESCRIPTION
1	EAL0415J11A	DECAL - RR, INDICATOR
1	EAL0415J09A	DECAL - LF, INDICATOR
1	EAL0415J10A	DECAL - LR, INDICATOR
1	EAL0415J12A	DECAL - RF, INDICATOR

CLAMP		V2260 / V2280	V2100
<b>AC200</b>	FRONT CLAMP	EAA0446J79A	EAA0446J79A
	REAR CLAMP	EAA0446J79A	EAA0469J73A
<b>AC100</b>	FRONT CLAMP	EAA0446J79B	EAA0446J79B
	REAR CLAMP	EAA0446J79B	EAA0469J73B

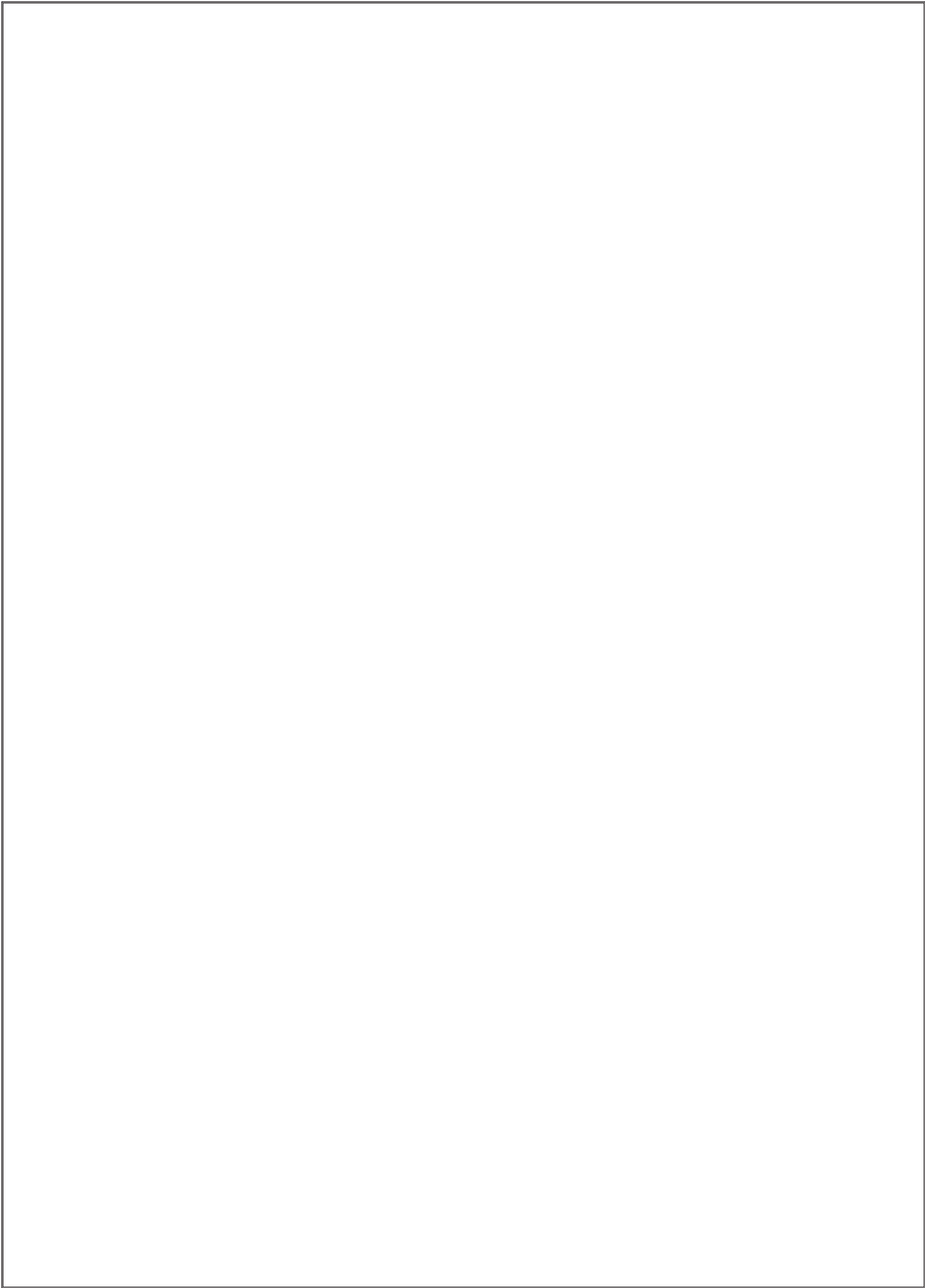
**WHEEL TARGETS 2280 / 2260 / V2100 / 2380 (AC200/AC100)**  
(SEE BREAKDOWN PG20)



EAK0320J33A - FRONT TARGET 6X8 V2280 / V2260  
EAK0305J65A - REAR TARGET 6X8 V2280 / V2260



EAA0435V11A - FRONT TARGET 8X8 V2100  
EAA0435V12A - REAR TARGET 8X8 V2100



Notice: The information contained in this document is subject to change without notice. Snaon makes no warranty with regard to this material. Snaon shall not be liable for errors contained herein or for incidental consequential damages in connection with furnishings, performance, or use of this material.

This document contains proprietary information which is protected by copyright and patents. All rights are reserved. No part of this document may be photocopied, reproduced, or translated without prior written consent of Snaon.