

JohnBean

WHEEL ALIGNER



Parts Manual

TEEWA546P43

All information contained or disclosed in this document is considered confidential and proprietary by Snap-on Equipment. All manufacturing, use, reproduction, and sales rights are reserved by Snap-on Equipment and the information contained herein shall not be used in whole or in part without the express written consent of Snap-on Equipment.

Table of Contents

EEWA541AL / EEWA542ALP.....	2
EEWA544AL.....	3
EEWA545P4.....	4
EEWA546P4.....	5
EEWA550P4.....	6
PC ASSEMBLY PRO42.....	7
BASE TOWER ASSEMBLY UHR.....	8
CAM/CAM ASSEMBLY - UHR.....	10
CAM/TARGET ASSEMBLY - UHR.....	10
CAMERA BEAM ASSEMBLY UHR.....	12
WHEEL CLAMP UHR / ULTRA.....	14
UHR W/CLAMP GEN II.....	16
SINGLE POLE WHEEL CLAMP (ASIA).....	18
CAMERA BEAM V3D ULTRA.....	20
BASE TOWER ASSY' ULTRA.....	22
CAM/CAM ASSEMBLY - ULTRA.....	24
CAM/TARGET ASSEMBLY - ULTRA.....	24
POD ASM , COMMON UA3.....	26
POD ASM.....	28
SUPPORT ASSEMBLY MOVEABLE BEAM.....	30
CABINET.....	34
MTG TOWER PREMIUM CONSOLE.....	36
RIDE HEIGHT TARGET ASSEMBLY.....	37
PC ASSEMBLY GENERIC.....	38

EEWA541AL / EEWA542ALP

REQ	ITEM	PART NUMBER	DESCRIPTION
1	1	EAK0289J78A	KIT – MOUSE/KEYBOARD
	2	EAK0289J60A	KIT - 19" LCD MONITOR
1		EAK0289J59A	KIT - 17" LCD MONITOR
1	3	EAK0289J74A	KIT – SHELF ASM. - PC
1	4	EAA0305J48A	BEAM ASM. - CAMERA
1	5	EAL0392J89A	LABEL-CUSTOMER SVC, JBC
1	6	EAK0277J82A	LIT PACK - GENERIC
1	7	EAK0256J96A1	KIT – DECAL, ULTRA, JBC
1	8	EAK0289J77A	KIT – PC/SW, GENERIC
1	9	EAK0268J52A	RIM CLAMP/TARGET ASM.
1	10	EAL0392J66A	DECAL – JBC, 9.0"
1	14	88931	POWER CORD/LABEL ASM., 115V
1	15	55502	CLAMP ASM – WHEEL, STEERING
1	19	00096	DEPRESSOR ASM - BRAKE
2	20	EAC0090J82A	WHEEL CHOCK, RUBBER
1	21	EAL0343J76A	LABEL-ELECTRICAL/ SERIAL
1	22	3-40426C	PRO 32 ACTIVATION (STD) DISC
1	23	EAL0392J28A	LABEL – UL LISTING
1	24	TEEWA541AL	INSTALLATIONS INSTRUCTIONS
1	25	ZEEWA550A	OPERATORS MANUAL
	26	3-60926A	PRO32 ACTIVATION (GOLD)
1	26	EAK0268J05A	PRINTER KIT-USB

EEWA544AL

REQ	ITEM	PART NO.	DESCRIPTION
1	4	EAK0256J96A1	DECAL KIT- ULTRA
1	6	EAK0268J05A	PRINTER KIT –USB
1	7	88931	POWER CORD/LABEL ASS'Y, 115V
1	8	EAK0289J38A	KIT – DECAL, EL JBC/VISUALINER
1	9	EAK0277J82A	LIT PACK-GENERIC
1	10	EAA0305J48A	BEAM ASSY-CAMERA
1	11	00096	DEPRESSOR ASS'Y- PEDAL
1	12	55502	CLAMP ASS'Y- WHEEL, STEERING
1	13	EAK0268J52A	RIM CLAMP/TARGET ASSY
1	14	EAA0337J81D	CONSOLE-BASIC, BLACK
1	15	EAK0289J59A	KIT – MONITOR-17" WIDE SCREEN LCD W/CABLE
1	16	EAK0289J77A	KIT-PC/SW GENERIC, IV
1	17	3-40426C	SOFTWARE -KEY DISK, JBC
1	18	EAK0289J22A	CLAMP BRACKET ASSY KIT
1	19	EAL0392J89A	LABEL – CUSTOMER SERVICE JBC
1	20	EAK0289J78A	KIT-MOUSE/KEY BOARD
2	21	EAC0090J82A	WHEEL CHOCK-RUBBER
1	22	5403	INST'L REGIST. CERTIFICATE
1	23	EAL0392J28A	LABEL – UL LISTING
1	29	TEEWA546A1	INST'L INSTR- SHORT BAY M & S
1	45	ZEEWA550A	OPERATORS MANUAL
1	46	EAL0343J76A	ELECTRICAL SERIAL LABEL
1	47	EAS2119J03A	BRACKET-17-22" LCD
1	53	86164	LABEL-WARNING, FUSE RATING
1	54	111245	LABEL-CAUTION, ELECTRICAL
5	55	5-2345	CABLE TIE
5	56	5-06945A	MOUNT, CABLE TIE

EEWA545P4

REQ	ITEM	PART NUMBER	DESCRIPTION
1	2	EAK0289J61A	KIT – 22” LCD MONITOR
1	3	EAA0337J84B	CONSOLE - STANDARD V3D, RED
1	4	EAA0361J18A	BEAM ASM. - CAMERA
1	5	EAL0392J89A	LABEL – CUSTOMER SVC. JBC
1	6	EAK0277J82A	LIT PACK – GENERIC
		EAA0361J46B	3D TARGET - V3D, FRONT LEFT
		EAA0361J47B	3D TARGET - V3D, FRONT RIGHT
		EAA0361J48B	3D TARGET - V3D, REAR LEFT
		EAA0361J49B	3D TARGET - V3D, REAR RIGHT
1	11	EAA0361J12B	PC ASS’Y – PRO42 W/ GRAPHICS CARD
1	12	EAK0256J96A1	KIT – DECAL, JBC
1	16	88931	POWER CORD/LABEL ASM., 115V
1	17	55502	CLAMP ASM – WHEEL STEERING
1	18	EAK0305J11A	KIT – DECAL, STD JBC/VISULINER
1	19	5403	INSTALLATION REGISTRY,CERTIFICATE
1	20	00096	DEPRESSOR ASM - BRAKE
2	21	EAC0090J82A	WHEEL CHOCK, RUBBER
1	22	3-60926A	SOFTWARE – KEY DISC GOLD
1	23	3-40026C	SOFTWARE – KEY DISK, JBC
1	24	EAL0392J28A	LABEL – UL LISTING
1	25	TEEWA546A1	INSTALLATION INSTRUCTIONS
1	26	ZEEWA546G4	OPERATOR’S MANUAL
1	27	EAK0268J05A	PRINTER KIT - USB
4	28	EAM0073J56A	TRIM – CAM BEAM, JBC
1	29	EAK0289J22A	KIT – HANGER BRACKETS, WC
1	30	EAS2119J03A	BRACKET 17-22” LCD
4	31	1-16006A	SCREW – M5X12MM PH BLK
4	32	01103959000	WASHER – FLAT M5

EEWA546P4

REQ	ITEM	PART NUMBER	DESCRIPTION
1	4	EAK0256J96A1	DECAL KIT – ULTRA, JBC
1	6	EAK0268J05A	PRINTER KIT - USB
1	7	88931	POWER CORD/LABEL ASS'Y
	8	EAA0361J46B	3D TARGET - V3D, FRONT LEFT (Generation II)
1	9	EAK0277J82A	LITERATURE PACK - GENERIC
1	10	EAA0361J18A	BEAM ASM. - CAMERA
1	11	00096	DEPRESSOR ASS'Y - PEDAL
1	12	55502	CLAMP ASS'Y – WHEEL, STEERING
	13	EAA0361J47B	3D TARGET - V3D, FRONT RIGHT (Generation II)
1	14	EAA0353J59B	CONSOLE ASS'Y – PREMIUM, JBC
1	15	EAK0289J61B	KIT – LCD 24”, W/ CABLE
1	16	EAA0361J12B	PC ASS'Y – PRO 42, W/ GRAPHICS CARD
1	17	3-40026C	SOFTWARE – KEY DISK, JBC
	18	EAA0361J48B	3D TARGET - V3D, REAR LEFT (Generation II)
1	19	EAK0289J51A	KIT – HANGER BRACKETS, PREM, CONSOLE
2	21	EAC0090J82A	WHEEL CHOCK - RUBBER
	23	EAA0361J49B	3D TARGET - V3D, REAR RIGHT (Generation II)
1	24	EAK0289J23A	KIT – REMOTE CONTROL
1	25	EAL0392J89A	LABEL – CUSTOMER SERVICE, JBC
1	26	3-20726A	SOFTWARE ASS'Y – KEY DISK, PLATINUM
1	27	EAL0392J28A	LABEL – UL LISTED
4	28	EAM0073J56A	TRIM – CAM BEAM, JBC
1	31	EAK0305J11A	KIT – DECAL STD – JBC/VISUALINER
1	33	EAK0256J71A	MEASURING KIT – RIDE HEIGHT
0.013	34	5-06735A	TUBING – FLEXIBLE W/SLIT, 3/4” OD
1	45	ZEEWA546G4	OP MANUAL – PRO 42, IMAGING ALIGNER, JBC

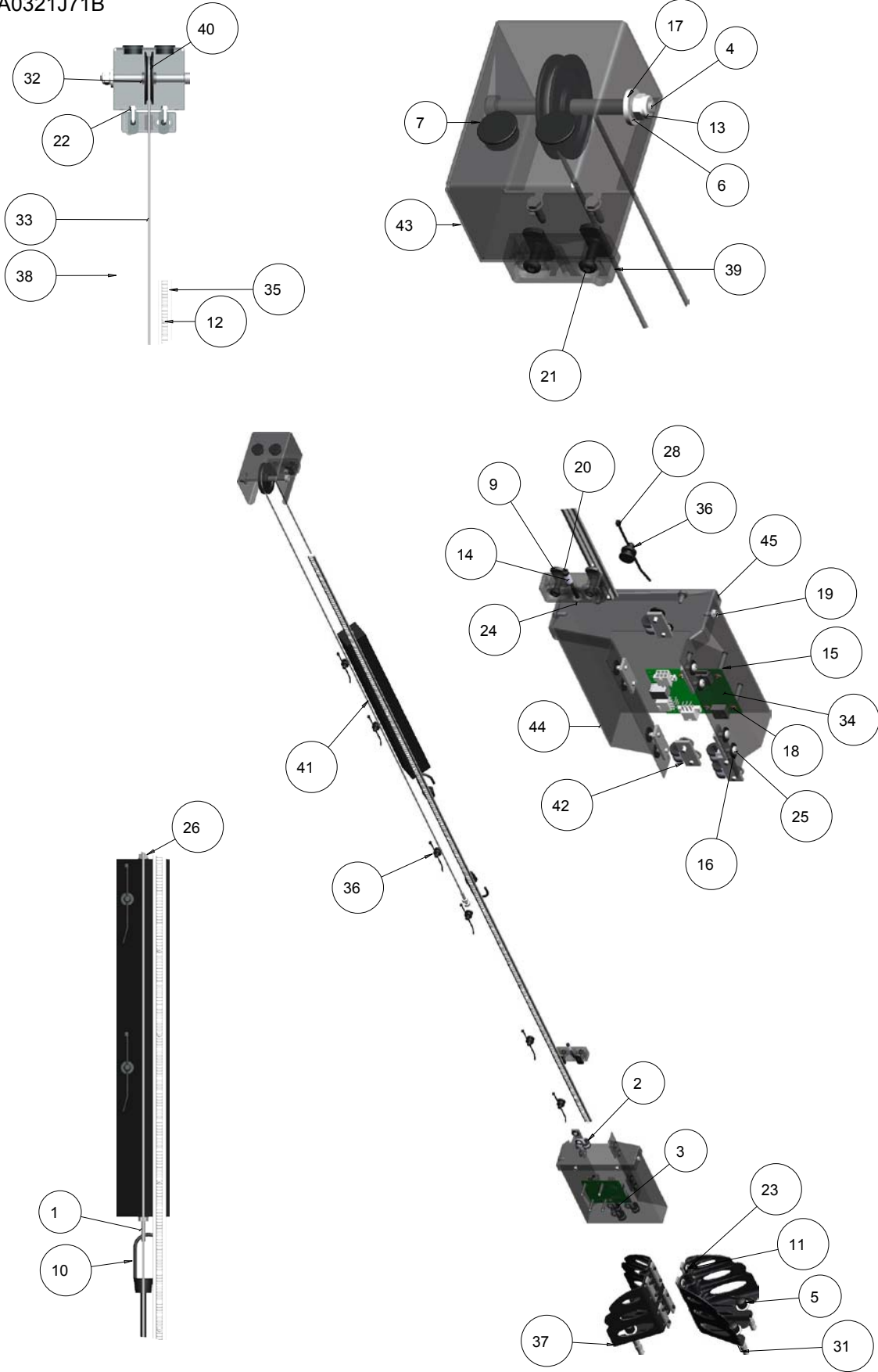
EEWA550P4

REQD	ITEM	PART NUMBER	DESCRIPTION
1	3	EAK0268J05A	PRINTER KIT – USB
1	4	88931	POWER CORD / LABEL ASM
1	5	EAL0392J61A	PAD-MOUSE, GENERIC
1	6	EAJ0277J82A	LITERATURE PACK-GENERIC
1	7	EAA0321J72B	UA - UHR ASM-DIRECT DRIVE
1	8	00096	DEPRESSOR ASS'Y-PEDAL
1	9	55502	CLAMP ASS'Y- WHEEL, STEERING
* 1	10	EAA0353J60B	CABINET ASS'Y – PREMIUM, BLUE
		EAA0353J59B	CONSOLE ASS'Y-PREMIUM, JBC
1	11	EAK0289J61B	MONITOR- 24", LCD W/ CABLE
1	12	EAA0361J12B	PC ASM – PRO42 ALIGNER
1	13	EAK0289J51A	KIT – HANGER BRACKETS, PREMIUM CONS.
2	15	EAC0090J82A	WHEEL CHOCK-RUBBER
1	16	5403	INST'L REGIST. CERTIFICATE
1	17	EAK0289J23A	KIT – REMOTE CONTROL
1	18	EAL0392J89A	LABEL – CUSTOMER SERVICE JBC
1	19	3-40026C	SOFTWARE -KEY DISK, JBC 3.4
1	20	3-20726A	SOFTWARE -KEY DISK, PLAT.
1	21	EAA0353J55A	ASM – MTG TOWER, PREMIUM
* 1	22	EAL0392J10A	DECAL – GM EQUIPMENT, 1388GMH
1		EAK0289J37A	KIT - DECAL STD JBC/VISUALINER
1	23	EAL0392J65A	DECAL - VISUALINER
1	24	TEEWA550A1	INST'L INSTR UA3
1	25	EAL0392J25A	DECAL, DIGISMART
1	26	ZEEWA546G4	OPERATORS MANUAL
1	27	EAK0256J71A	MEASURING KIT – RIDE HEIGHT
0.013	28	5-06735A	TUBING – FLEXIBLE W/SLIT, ¾" OD
1	29	EAL0392J28A	LABEL – UL LISTED
1	30	EAA0361J46B	3D TARGET - V3D - FRONT LEFT
1	31	EAA0361J47B	3D TARGET - V3D - FRONT RIGHT
1	32	EAA0361J48B	3D TARGET - V3D - REAR LEFT
1	33	EAA0361J49B	3D TARGET - V3D - REAR RIGHT
* 1	GM UNITS		

PC ASSEMBLY PRO42

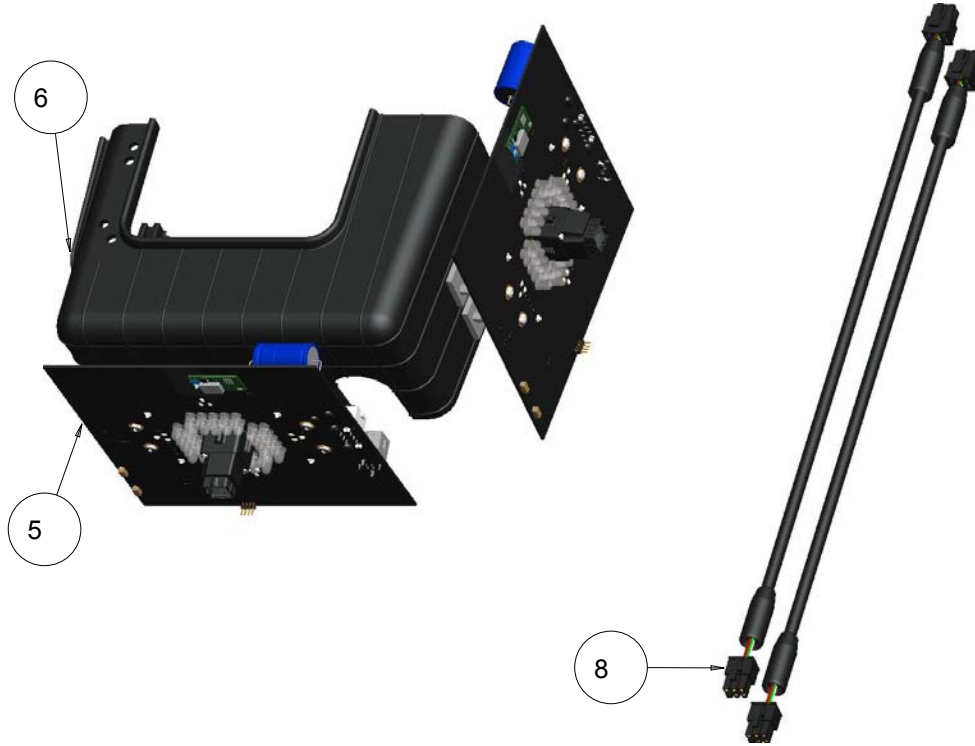
ITEM	PART NUMBER	DESCRIPTION
1	3-02806F1	HP PC, SERVICE, W/GRAPHICS CARD <ul style="list-style-type: none"> • AMD PROCESSOR - SEMPRON 145 • MEMORY: 1GB (MIN) • HARD DRIVE: 160GB SATA (MIN) • STORAGE DEVICES & RECORDABLE MEDIA: SATA DVD-ROM DRIVE • MOUSE: OPTICAL 2 BUTTON WHEEL MOUSE (MIDNIGHT GRAY OR BLACK) • OPERATION SYSTEM: WINDOWS 7 HOME PREMIUM 32-BIT • KEYBOARD: USB KEYBOARD IN GRAY OR BLACK • CHASSIS: SMALL FORM FACTOR; 1 EACH LOW-PROFILE PCI EXPANSION SLOTS. INTEGRATED VIDEO, NETWORK, AND SOUND. • I/O PORTS: 10 USB 2.0 (4 FRONT, 6 BACK), 1 SERIAL, RJ-45 NETWORK, AUDIO (MIC, STEREO IN, STEREO OUT AND HEADPHONE JACK) • VIDEO GRAPHICS CARD: AMD RADEON 6350 512MB DHX16, MFG#: HSB-QK638
2	EAL0343J64A	LABEL-CAUTION POWER SELECTION
6	88450	ENVELOPE-SNAP-ON INC LIC AGREEMENT
7	3-61526JV1	S/W ASSY – PRO42, 7.2.4.2
8	3-61626EV1	PRO42 ALIGNMENT DATABASE ASSY
9	3-55726R	SOFTWARE-SPECS KEY CODE
10	5-10426A2	TAPE-LOOP VELCRO # 1000
11	5-10426A1	TAPE-HOOK VELCRO # 88
13	3-61726A	MITCHELL TSB DATA, V1.0
14	3-61926A	ACTIVATION KEY, MITCHELL TSB
15	3-61826A	MITCHELL TPMS DATA, V1.0
16	3-62026A	ACTIVATION KEY, MITCHELL TPMS
17	88716	DECAL-KEY BOARD, FUNCTION KEYS

BASE TOWER ASSEMBLY UHR
EAA0321J71B

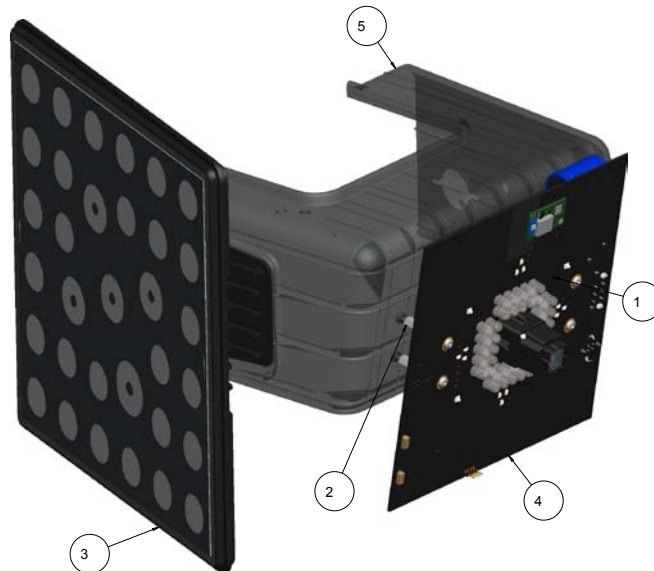


SYM	REQ	PART NO	DESCRIPTION
1	1	1-01830A	BOLT, EYE 1/4-20 X 1
2	3	1-03682A	CLAMP METAL, 3/8"
3	1	1-03782A	CLAMP METAL, 3/16
4	1	1-04011A	BOLT - SHOULDER, 3/8 X 3.5"
5	4	1-04476A	PLUG HOLE-NUT COVERS
6	1	1-06047A	LOCKWASHER, INTERNAL TOOTH
7	2	1-06776A	PLUG - HOLE DOME
8	8	1-08039A	NUT-DOUBLE
9	4	1-08508A	WELD NUT, DUAL TAB - 1/4-20
10	1	1-08584A	BUNGEE CORD
11	16	1-10041	WASHER D.8 UNI6592-69/DIN125
12	12	1-10624A	SCREW-PHMS, #4-40 X 3/8"
13	1	1-1337	NUT - ESNA, 5/16 -18
14	1	1-13862A	SPACER-1/4OD X .166ID X .5
15	4	1-17061A	HEX SPACER - #4-40
16	14	1-18941A	WASHER-FLAT, .195 X .619 X .06 THICK
17	1	1-23441A	WASHER - FLAT 3/8, BLACK
18	8	1-27403A	PHMS, #4-40 X 3/8 W/ EXT LOCK WASH
19	4	1-3724	SCREW-SELF TAP,5 X 10MM
20	1	1-41209	SCREW - SHCS 8-32 X 1 3/4
21	5	1-44009A	SCREW-BHCS, 1/4-20 X 7/8
22	2	1-48701A	SCREW-HHW, #10-24 X 5/8,
23	16	1-54009A	SCREW - BHCS 5/16-18 X .625
24	1	1-7033	NUT & L/WASHER ASS'Y- #8-32
25	14	1-7106	MSCR PNH #10-24 X 1/2
26	3	1-7433	NUT & L/WASHER ASSY, 1/4-20
27	1	5-09240A	TAPE - DUCT, 2" WD.
28	6	5-2345	TIE - CABLE 4" LG X .10" WD
29	5	6-0739	SHIM PLATE .06 THK
30	5	6-0740	SHIM PLATE .125 THK
31	4	8-02440A	STUD ANCHOR BOLT, 1/2 X 3.75"
32	2	8-09714A	O-RING 9/16 OD X 5/16 ID
33	1	EAA0321J17A	CABLE ASM.- ULTRA, WEIGHT
34	1	EAA0321J74A	MINI HUB ASM. - ULTRA ARAGO
35	4	EAC0079J66A	GEAR-RACK, DIE CAST
36	6	EAC0079J84A	RETAINER - CORD, ARAGO3
37	2	EAC0090J85A	BRACKET - CAST, TOWER, VA
38	1	EAC0090J90A	TOWER - EXTRUSION
39	2	EAM0023J85A	STOP - LIMIT SWITCH
40	1	EAM0044J05A	PULLEY- ULTRA MOVEABLE
41	1	EAM0044J10A	CW - DRIVE, UA
42	7	EAS2072J84A	PLATE - STRAIN RELIEF
43	1	EAS2084J28A	COVER - CW, TOP UA
44	1	EAS2105J82A	COVER- MINI-HUB
45	1	EAS2105J84A	CAP-COVER MINI HUB

CAM/CAM ASSEMBLY - UHR
EAA0321J32B



CAM/TARGET ASSEMBLY - UHR
EAA0321J31B



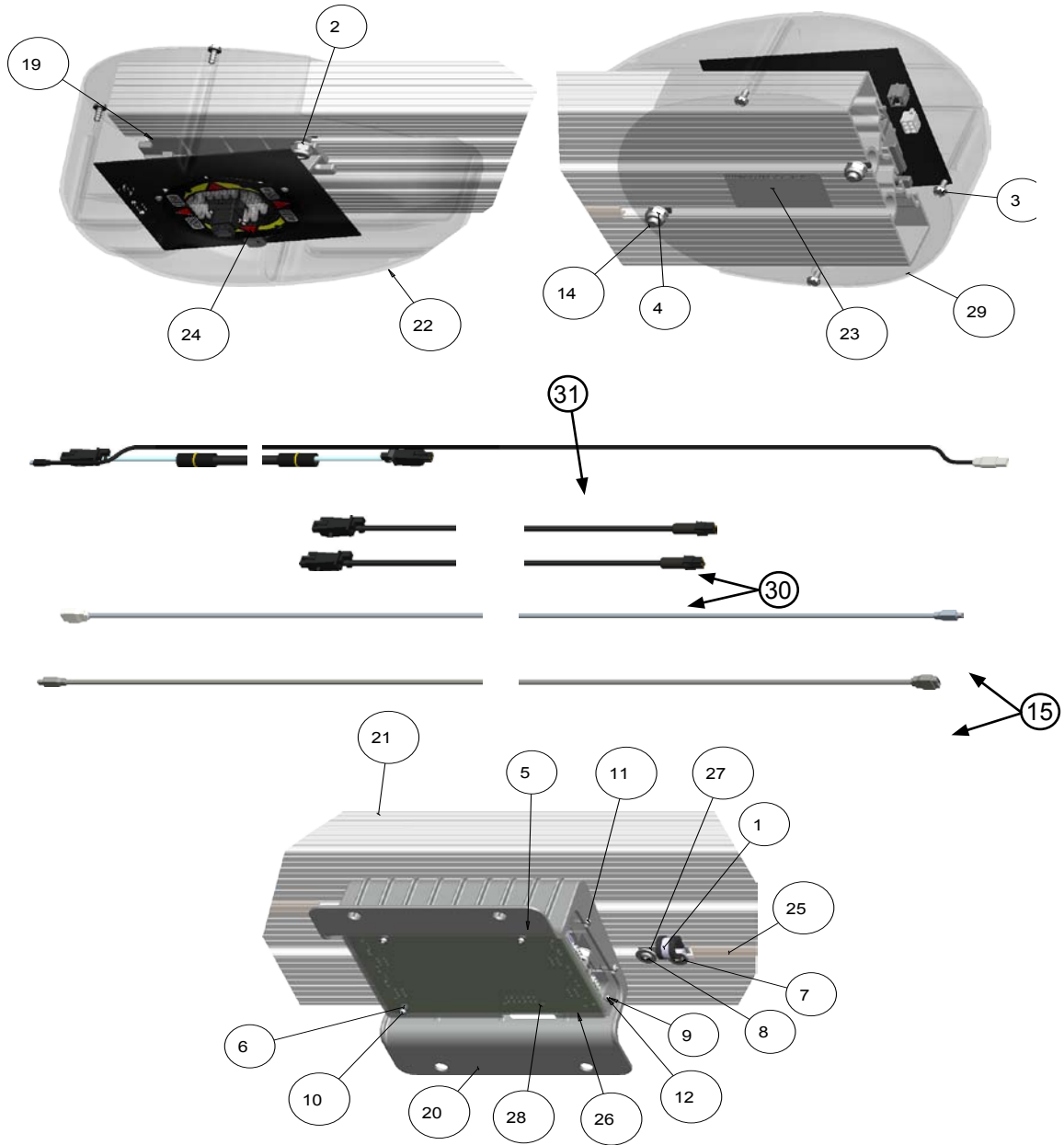
CAM/CAM ASSEMBLY - UHR

SYM	REQ	PART NO	DESCRIPTION
1	8	1-17061A	HEX SPACER - #4-40
2	19	1-27403A	PHMS, #4-40 X 3/8 W/ EXT LOCK WASH
3	3	1-6933	NUT & L/WASHER ASSY 4-40
4	2	6-02422B3	CABLE-USB A MALE / B MALE
5	2	EAK0277J97B	CAMERA SERVICE KIT.
6	1	EAM0073J61A	CAM/CAM - MACH, UA3, UHR
7	1	EAS2119J21A	PLATE - CAM MTG, UA3 UHR
8	2	EAW0235J51A	CABLE ASSY-CAMERA, ULTRA ARAGO

CAM/TARGET ASSEMBLY - UHR

SYM	REQ	PART NO	DESCRIPTION
1	4	1-17061A	HEX SPACER - #4-40
2	8	1-27403A	PHMS, #4-40 X 3/8 W/ EXT LOCK WASH
3	1	EAA0321J67A	TARGET ASM, - UA
4	1	EAK0277J97B	CAMERA SERVICE KIT.
5	1	EAM0073J61A	CAM/CAM - MACH. - UA3 UHR
6	1	EAW0235J51A	CABLE ASSY-CAMERA, ULTRA ARAGO

CAMERA BEAM ASSEMBLY UHR
EAA0361J18A

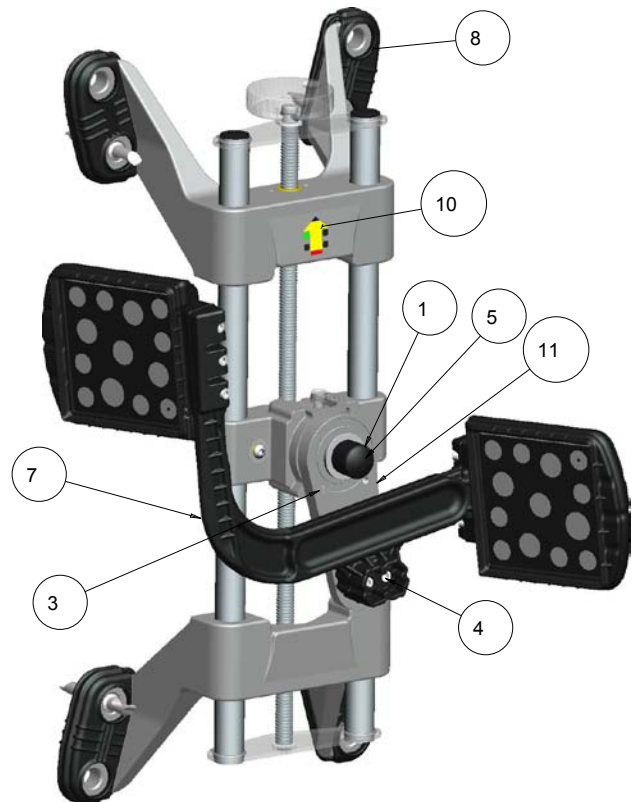
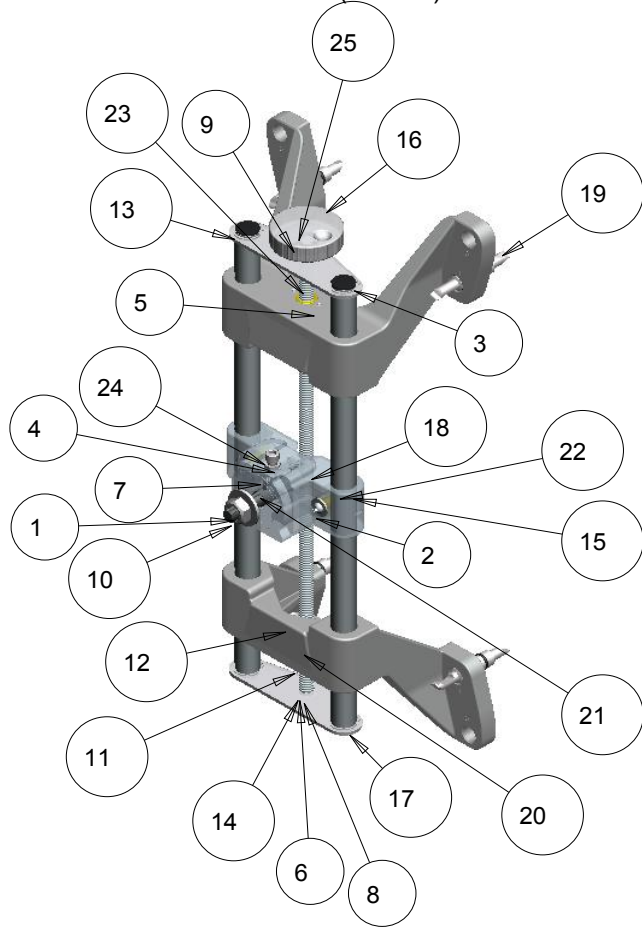


SYM	REQ	PART NO	DESCRIPTION
1	1	1-03382A	CLAMP METAL, 1/2
2	10	1-10041	WASHER - FLAT, 5/16
3	3	1-21023A	SCREW - HEX HEAD TYPE A, SELF TAP
4	10	1-1337	NUT - ESNA, 5/16 -18
5	3	1-15033	NUT-KEPS, M3 - .5
6	3	1-15462A	SPACER - .14ID X .25OD X .19LG
7	2	1-18341A	WASHER-.19ID X .62OD X .06 THK, STEEL
8	2	1-18602A	SCREW-RHMS 10-24 X 3/8
9	1	1-26206A	SCREW - PHMS, #4-40 X 3/8
10	3	1-27506A	SCREW-PHM, M3 X 12MM
11	4	1-35806A	SCREW - PH, #6 SELF TAP
12	1	1-546	LOCKWASHER - #4
14	10	1-705A	BOLT-CARRIAGE 5/16-18 X 3/4
15	2	6-02422B6	CABLE-USB A MALE / B MALE
16	1	8-28560A	SKID-CAMERA BEAM
17	1	8-28660A	CARTON-CAMERA BEAM ASSY
18	2	8-36760A2	INSERT-FOAM CAMERA BEAM
19	2	EAK0277J97B	CAMERA MTG. ASM., UA2, UHR
20	1	EAC0090J83A	BRACKET - UA2, BEAM
21	1	EAC0090J95A	EXTRUSION - CAMERA, 2 X 7
22	1	EAC0105J16A	COVER - UA2, UHR
23	1	EAL0343J76A	ELECT/SERIAL LABEL
24	1	EAL0415J16A	VODI - UA2, UHR
25	2	EAM0023J47A	EXT-PLASTIC, CROSS BEAM
26	1	EAP0238J30C	HUB ASM. - PCB, V3D2
27	1	EAS2072J84A	PLATE - STRAIN RELIEF
28	1	EAS2105J61A	BRACKET - USB PCB, UA2
29	1	EAS2119J07A	PLATE - COVER, CAMERA
30	2	EAW0235J44A	CABLE ASSY-CAMERA, ULTRA
31	1	EAW0235J46A	CABLE ASSY - INTERFACE HUB, PC

WHEEL CLAMP UHR / ULTRA

EAC0079J54A - FRONT CLAMP (ULTRA , UHR FRONT & REAR)

EAC0079J55A - REAR CLAMP (ULTRA)



UHR W/CLAMP GEN I

EAA0361J46A - LEFT FRONT
 EAA0361J47A - RIGHT FRONT
 EAA0361J48A - LEFT REAR
 EAA0361J49A - RIGHT REAR

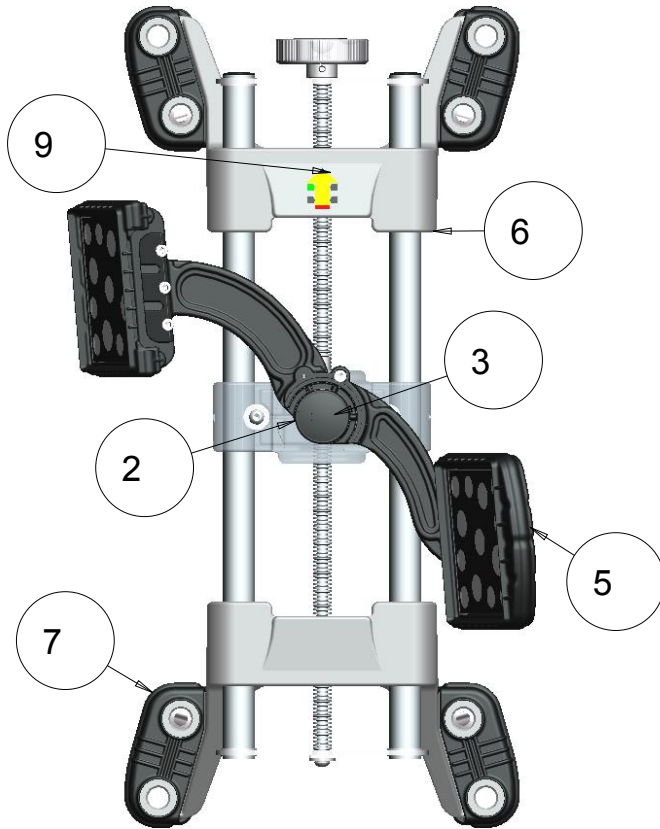
SYM	REQ	PART NO	DESCRIPTION
1	1	1-1041	WASHER - FLAT, 1/2
2	3	1-14144A	WASHER-FLAT, M6
3	8	1-17677A	RETAINING RING
4	1	1-20733A	NUT - JAM, M8
5	4	1-26506A	SCREW-PH COUNTER SINK M4X20
6	1	1-3347	LOCKWASHER, INTERNAL TOOTH
7	1	1-37410	SCREW-SET M3 X .5 X 10MM, CUP PT.
8	3	1-50309A	SCREW-BHCS M6X10MM
9	1	1-6152	PIN-STRAIGHT SLOTTED
10	1	1-933	NUT-HEX, 1/2-13
11	2	EAC0079J48A	BRACKET-LONG WHEEL CLAMP (FRONT)
		EAC0079J56A	BRACKET-SHORT WHEEL CLAMP (REAR)
12	2	EAC0079J50A	COVER-FEED SCREW LOCK
13	2	EAC0079J51A	PLUG - PLASTIC, 19MM HOLE
14	2	EAC0079J52A	WASHER-THRUST PLASTIC PLASTIC, 19MM HOLE
15	1	EAC0079J53A	CENTER SLIDE BRACKET
16	1	EAM0044J13A	KNOB HAND WHEEL
17	2	EAM0044J14A	TUBE-WHEEL CLAMP
18	1	EAM0044J16A	SCREW-DOUBLE LEAD
19	4	EAM0044J19A	GRABBER ASM.
20	1	EAM0044J20A	BUSHING-THREADED BRASS RH
21	1	EAM0044J21A	CENTER STATIONARY
22	2	EAM0044J22A	PIN-TUBE LOCK
23	1	EAM0044J24A	BUSHING THREADED BRASS LH
		EAM0044J20A	BUSHING THREADED BRASS RH
24	1	EAM0044J47A	SCREW - SHCS M8X30 FULL THD
25	2	EAS2084J29A	PLATE-RETAINER

SYM	REQ	PART NO	DESCRIPTION
1	1	1-04476A	PLUG HOLE-NUT COVERS
2	1	1-08584A	CORD - BUNGEE, BLACK 16"
3	1	1-14909	SHCS - M5 X 12MM
4	2	1-15209	SCREW - SHCS, M5 X 25MM, ZINC
5	1	1-26033A	NUT-HEX, NYLON LOCK 1/2-13
6	1	8-34160A	CARTON - RIM CLAMP/TARGET ASM
7	1	EAA0361J57A1	3D TARGET ASM. - LEFT FRONT, V3D
		EAA0361J56A1	3D TARGET ASM. - RIGHT FRONT, V3D
		EAA0361J51A1	3D TARGET ASM. - LEFT REAR, V3D
		EAA0361J52A1	3D TARGET ASM. - RIGHT REAR, V3D
8	1	EAC0079J54A	V3D FRONT WHEEL CLAMP ASM
9	1	EAK0268J41A	GRABBER KIT - DUAL END
10	1	EAL0415J09A	DECAL - LEFT FRONT, INDICATOR
11	1	EAM0073J70A	BRACKET - ADAPTOR, 3D TO V3D

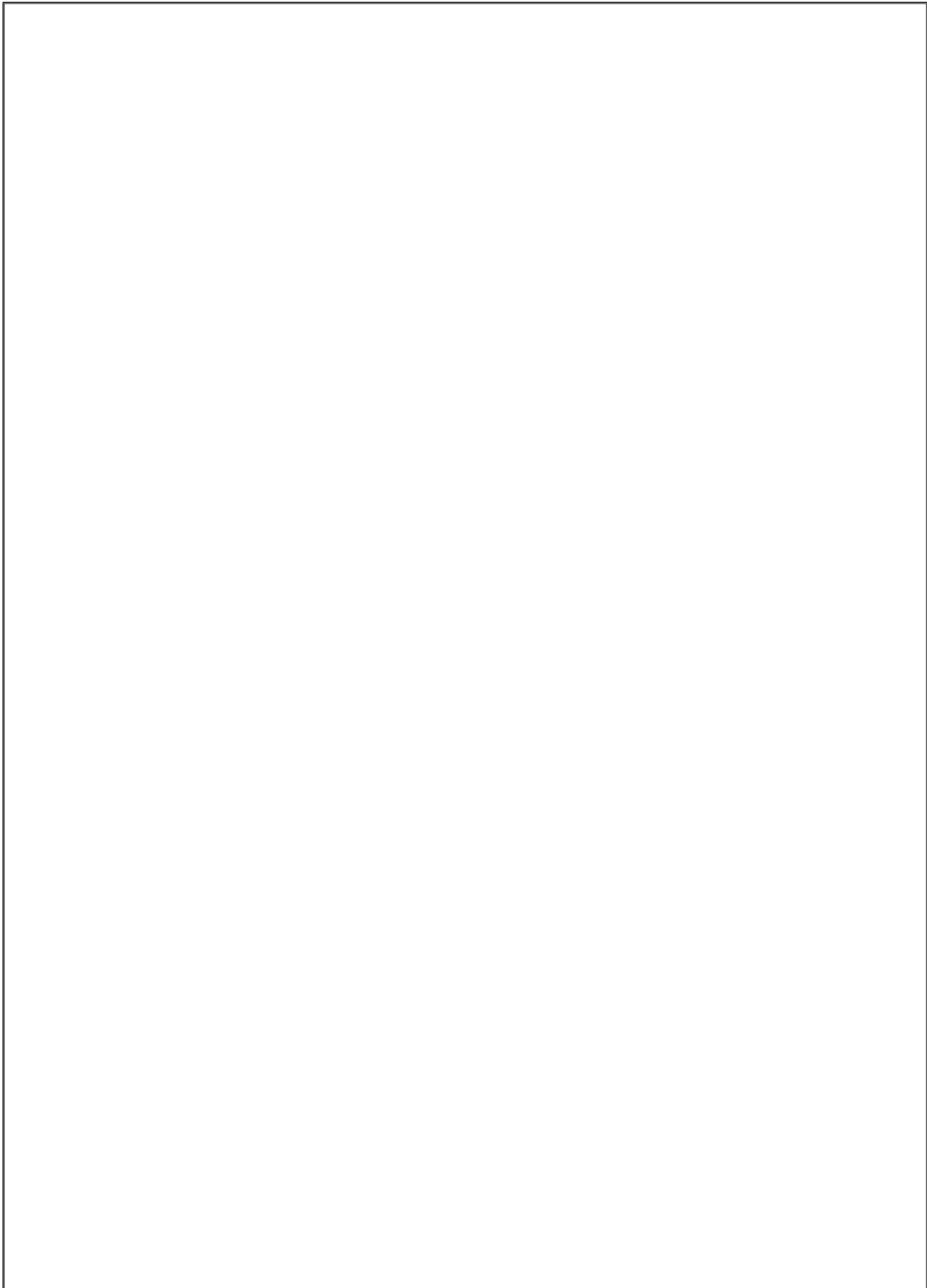
UHR W/CLAMP GEN II
EAA0361J46B

UHR W/CLAMP GEN II

- EAA0361J46B - LEFT FRONT
- EAA0361J47B - RIGHT FRONT
- EAA0361J48B - LEFT REAR
- EAA0361J49B - RIGHT REAR

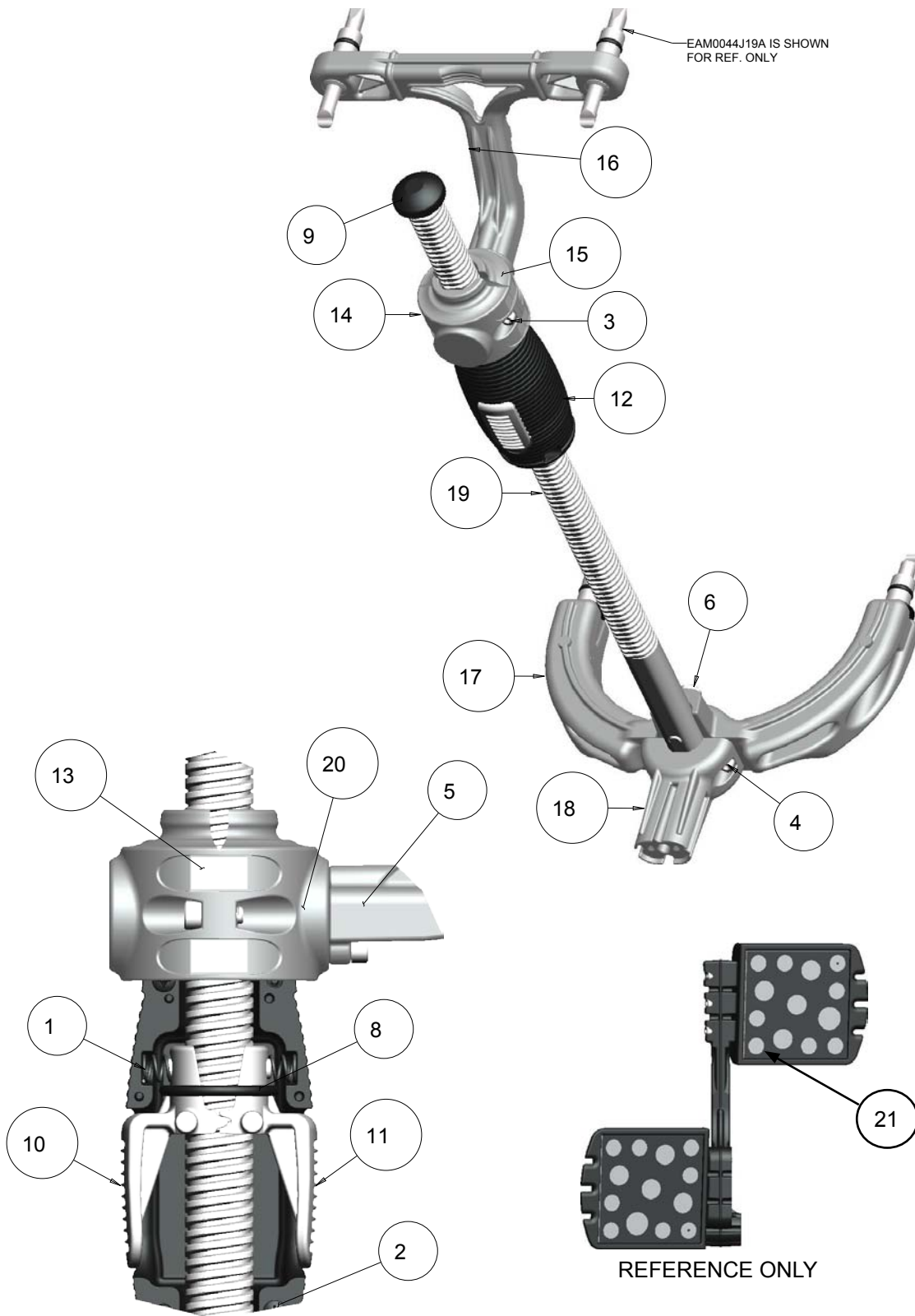


SYM	REQ	PART NO	DESCRIPTION
1	1	1-08584A	CORD - BUNGEE, BLACK 16"
2	1	1-11876A	PLUG - HOLE
3	1	1-26033A	NUT-HEX, NYLON LOCK 1/2-13
4	1	8-34160A	CARTON - RIM CLAMP/TARGET ASM
5	1	EAA0361J57B1	3D TARGET ASM. - LEFT FRONT, V3D
		EAA0361J56B1	3D TARGET ASM. - RIGHT FRONT, V3D
		EAA0361J51B1	3D TARGET ASM. - LEFT REAR, V3D
		EAA0361J52B1	3D TARGET ASM. - RIGHT REAR, V3D
6	1	EAC0079J54A	V3D WHEEL CLAMP ASM
7	4	EAC0105J35A	COVER - RUBBER, V3D
8	1	EAK0268J41A	GRABBER KIT - DUAL END
9	1	EAL0415J09A	DECAL - LEFT FRONT, INDICATOR



SINGLE POLE WHEEL CLAMP (ASIA)

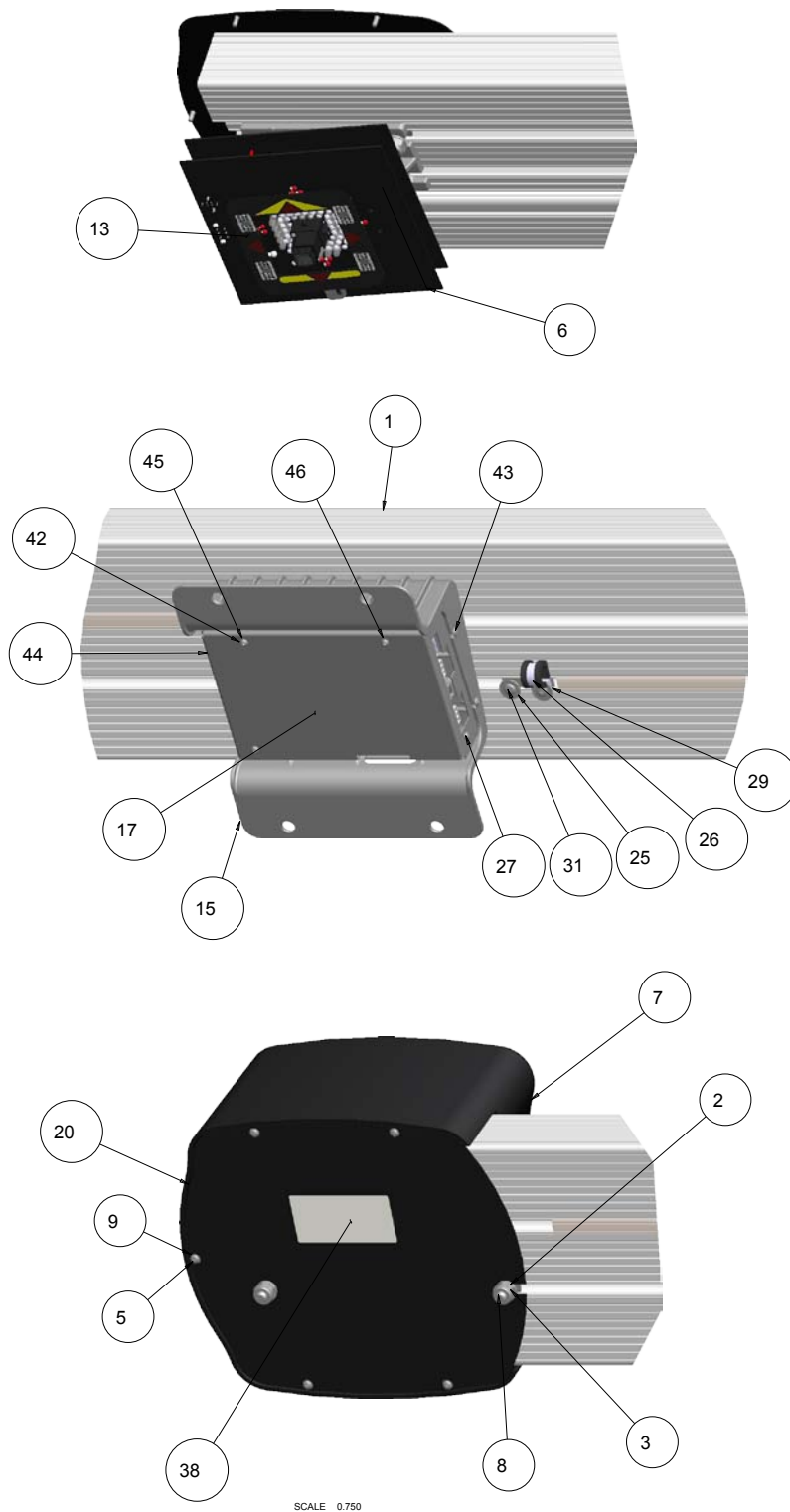
EAA0361J05A



SYM	REQ	PART NO	DESCRIPTION
1	2	1-10668A	SPRING - COMPRESSION
2	4	1-10824A	SCREW - #6-19 X 3/4 SELF TAP - TRI
3	3	1-14909	SHCS - M5 X 12MM
4	2	1-15209	SCREW - SHCS, M5 X 25MM, ZINC
5	1	1-60309A	SCREW - SHCS M6X18
6	2	1-17909	SCREW-HHCS M8 X 30
8	1	8-18114A	O-RING, 3/4 ID, 1.0 OD
9	1	EAC0105J10A	KNOB - TOP, ROD
10	1	EAC0105J11A	JAW - LOCK, LH
11	1	EAC0105J12A	JAW - LOCK, RH
12	2	EAC0105J13A	HANDLE - QT, WC
13	4	EAL0415J08A	DECAL - CENTER, TARGET
14	1	EAM0073J27A	BRACKET - PIVOT, FRONT
15	1	EAM0073J28A	BRACKET - PIVOT, REAR
16	1	EAM0073J29A	BRACKET GRABBER, PIVOT
17	1	EAM0073J30A	BRACKET - LOWER, WC
18	1	EAM0073J31A	BRACKET - PIVOT, LOWER
19	1	EAM0073J32A	ROD - GUIDE, WC, CAST
20	1	1-01637A	NUT-ESNA,M6
* 21	1	EAA0361J14A1	SPWC TARGET ASM - LEFT FRONT
	1	EAA0361J15A1	SPWC TARGET ASM - LEFT REAR
	1	EAA0361J16A1	SPWC TARGET ASM - RIGHT FRONT
	1	EAA0361J17A1	SPWC TARGET ASM - RIGHT REAR

* NOTES: USED IN ASIAN MARKET ONLY

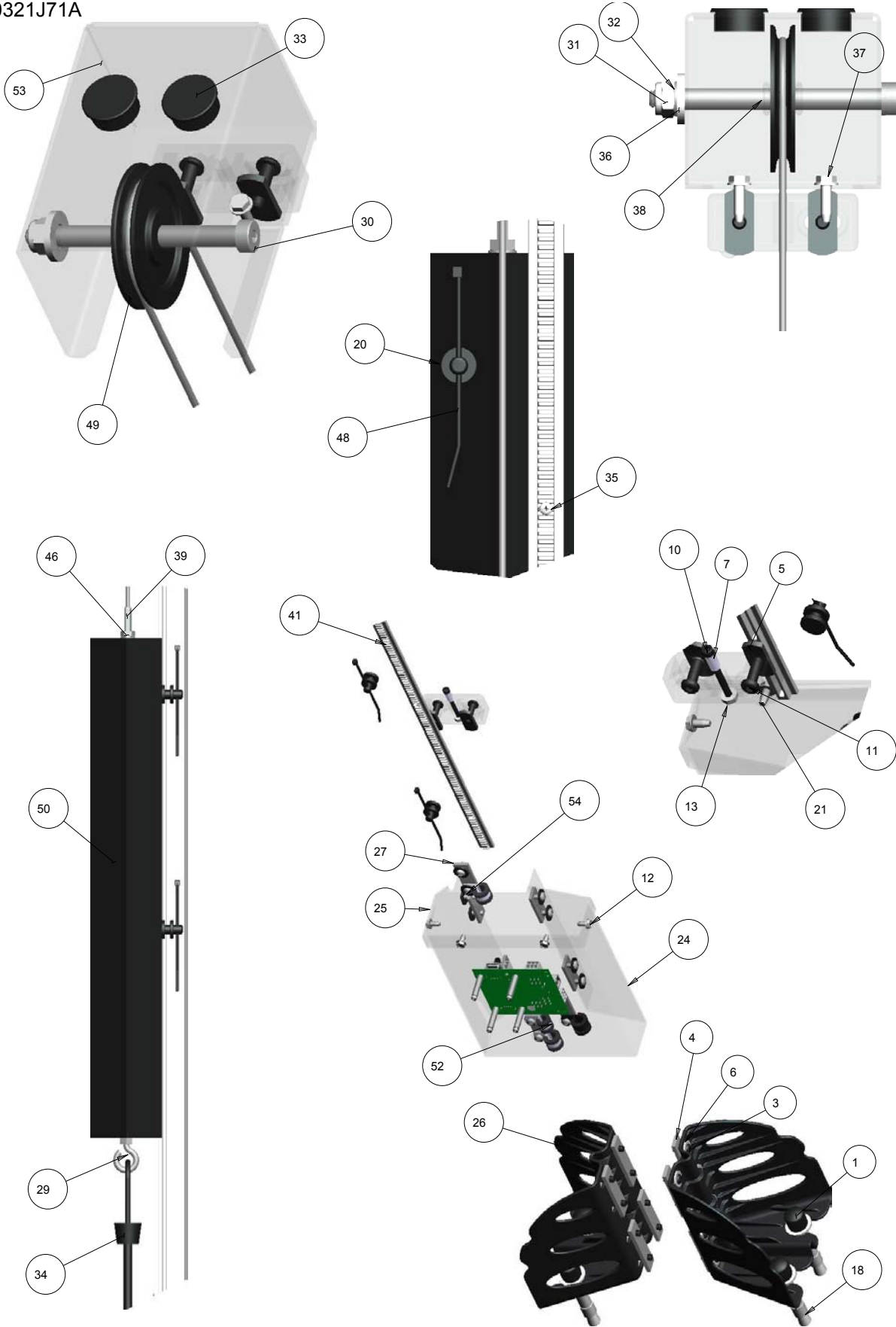
CAMERA BEAM V3D ULTRA
EAA0305J48A



SCALE 0.750

SYM	REQ	PART NO	DESCRIPTION
1	1	EAC0090J95A	EXTRUSION - CAMERA, 2 X 7
2	12	1-10041	WASHER - FLAT, 5/16
3	12	1-1337	NUT - ESNA, 5/16 -18
5	10	1-3806	MSCR PNH #6-32 X 3/8
6	2	EAK0277J97A	CAMERA SERVICE KIT.
7	2	EAC0090J96A	COVER-CAMERA, V3D2
8	12	1-705A	BOLT-CARRIAGE 5/16-18 X 3/4
9	10	1-948	LOCKWASHER, #6 EXT
10	2	EAA0353J88A	CAMERA MTG. ASM., UA2, UHR
13	2	EAL0343J81A	GRAPHIC FACE PLATE - V3D2
15	1	EAC0090J83A	BRACKET - UA2, BEAM
16	2	EAM0023J47A	EXT-PLASTIC, CROSS BEAM
17	1	EAP0238J30C	HUB ASM. - PCB, V3D2
20	2	EAS2072J21A	PLATE - BACK, COVER
* 21	2	EAW0235J44A	CABLE ASSY-CAMERA, ULTRA
* 22	1	EAW0235J46A	CABLE ASSY - INTERFACE HUB, PC
24	1	1-26206A	SCREW - PHMS, #4-40 X 3/8
25	2	1-18341A	WASHER-.19ID X .62OD X .06 THK, STEEL
26	1	1-03382A	CLAMP METAL, 1/2
27	1	1-546	LOCKWASHER - #4
29	1	EAS2072J84A	PLATE - STRAIN RELIEF
* 30	2	6-02422B6	CABLE-USB A MALE / B MALE
31	2	1-18602A	SCREW-RHMS 10-24 X 3/8
38	1	EAL0343J76A	ELECT/SERIAL LABEL
40	1	3-20926AF1	SOFTWARE ASSY- KEY, SECURITY
42	3	1-27506A	SCREW-PHM, M3 X 12MM
43	4	1-35806A	SCREW - PH, #6 SELF TAP
44	1	EAS2105J61A	BRACKET - USB PCB, UA2
45	3	1-15462A	SPACER - .14ID X .25OD X .19LG
46	3	1-15033	NUT-KEPS, M3 - .5

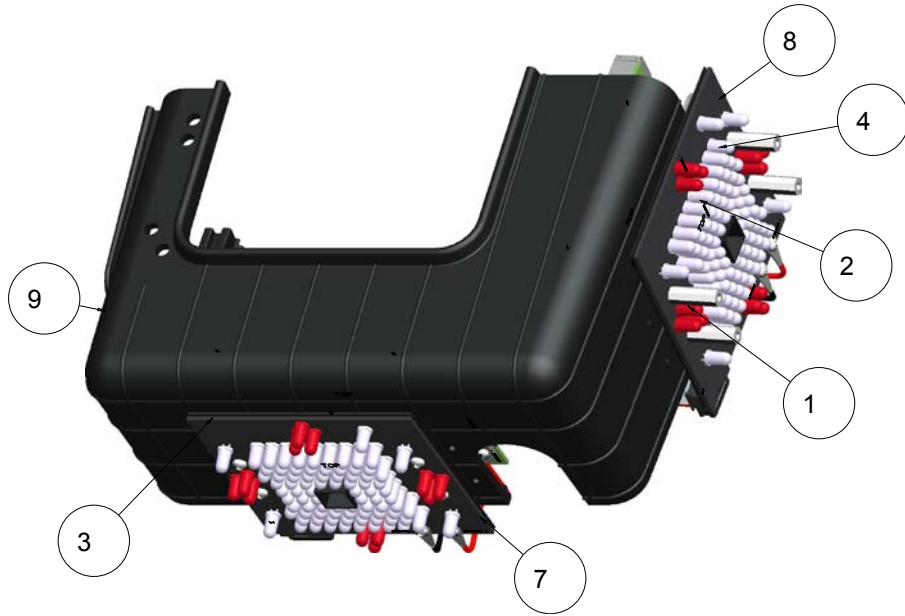
BASE TOWER ASSY' ULTRA
EAA0321J71A



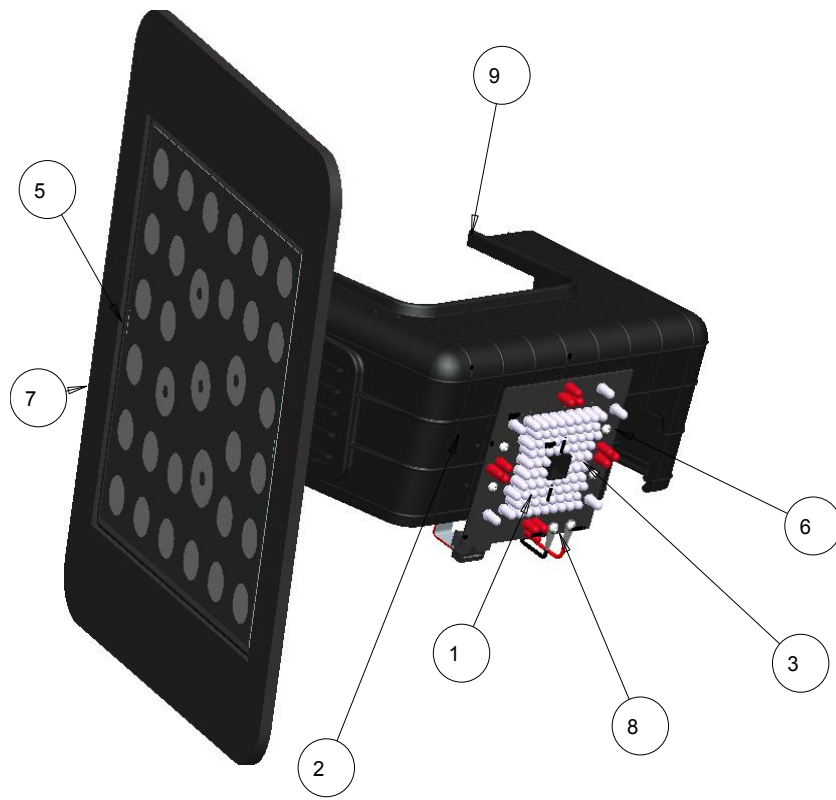
BASE TOWER ASSY' ULTRA
EAA0321J71A

SYM	REQ	PART NO	DESCRIPTION
1	4	1-04476A	PLUG HOLE-NUT COVERS
2	4	1-17061A	HEX SPACER - #4-40
3	16	1-54009A	SCREW - BHCS 5/16-18 X .625
4	8	1-08039A	NUT-DOUBLE
5	4	1-08508A	WELD NUT, DUAL TAB - 1/4-20
6	16	1-10041	WASHER D.8 UNI6592-69/DIN125
7	1	1-13862A	SPACER-1/4OD X .166ID X .5
8	8	1-27403A	PHMS, #4-40 X 3/8 W/ EXT LOCK WASH
9	14	1-18941A	WASHER-FLAT, .195 X .619 X .06 THICK
10	1	1-41209	SCREW - SHCS 8-32 X 1 3/4
11	5	1-44009A	SCREW-BHCS, 1/4-20 X 7/8
12	4	1-3724	SCREW-SELF TAP,5 X 10MM
13	1	1-7033	NUT & L/WASHER ASS'Y- #8-32
14	14	1-7106	MSCR PNH #10-24 X 1/2
16	5	6-0739	SHIM PLATE .06 THK
17	5	6-0740	SHIM PLATE .125 THK
18	4	8-02440A	STUD ANCHOR BOLT, 1/2 X 3.75"
19	1	EAA0321J74A	MINI HUB ASM. - ULTRA ARAGO
20	6	EAC0079J84A	RETAINER - CORD, ARAGO3
21	2	EAM0023J85A	STOP - LIMIT SWITCH
23	1	EAC0090J90A	TOWER - EXTRUSION
24	1	EAS2105J82A	COVER- MINI-HUB
25	1	EAS2105J84A	CAP-COVER MINI HUB
26	2	EAC0090J85A	BRACKET - CAST, TOWER, VA
27	7	EAS2072J84A	PLATE - STRAIN RELIEF
29	1	1-01830A	BOLT, EYE 1/4-20 X 1
30	1	1-04011A	BOLT - SHOULDER, 3/8 X 3.5"
31	1	1-1337	NUT - ESNA, 5/16 -18
32	1	1-06047A	LOCKWASHER, INTERNAL TOOTH
33	2	1-06776A	PLUG - HOLE DOME
34	1	1-08584A	BUNGEE CORD
35	12	1-10624A	SCREW-PHMS, #4-40 X 3/8"
36	1	1-23441A	WASHER - FLAT 3/8, BLACK
37	2	1-48701A	SCREW-HHW, #10-24 X 5/8,
38	2	8-09714A	O-RING 9/16 OD X 5/16 ID
39	1	EAA0321J17A	CABLE ASM.- ULTRA, WEIGHT
41	4	EAC0079J66A	GEAR-RACK, DIE CAST
46	3	1-7433	NUT & L/WASHER ASSY, 1/4-20
47	1	5-09240A	TAPE - DUCT, 2" WD.
48	6	5-2345	TIE - CABLE 4" LG X .10" WD
49	1	EAM0044J05A	PULLEY- ULTRA MOVEABLE
50	1	EAM0044J10A	CW - DRIVE, UA
52	1	1-03782A	CLAMP METAL, 3/16
53	1	EAS2084J28A	COVER - CW, TOP UA
54	3	1-03682A	CLAMP METAL, 3/8"

CAM/CAM ASSEMBLY - ULTRA
EAA0321J32A



CAM/TARGET ASSEMBLY - ULTRA
EAA0321J31A



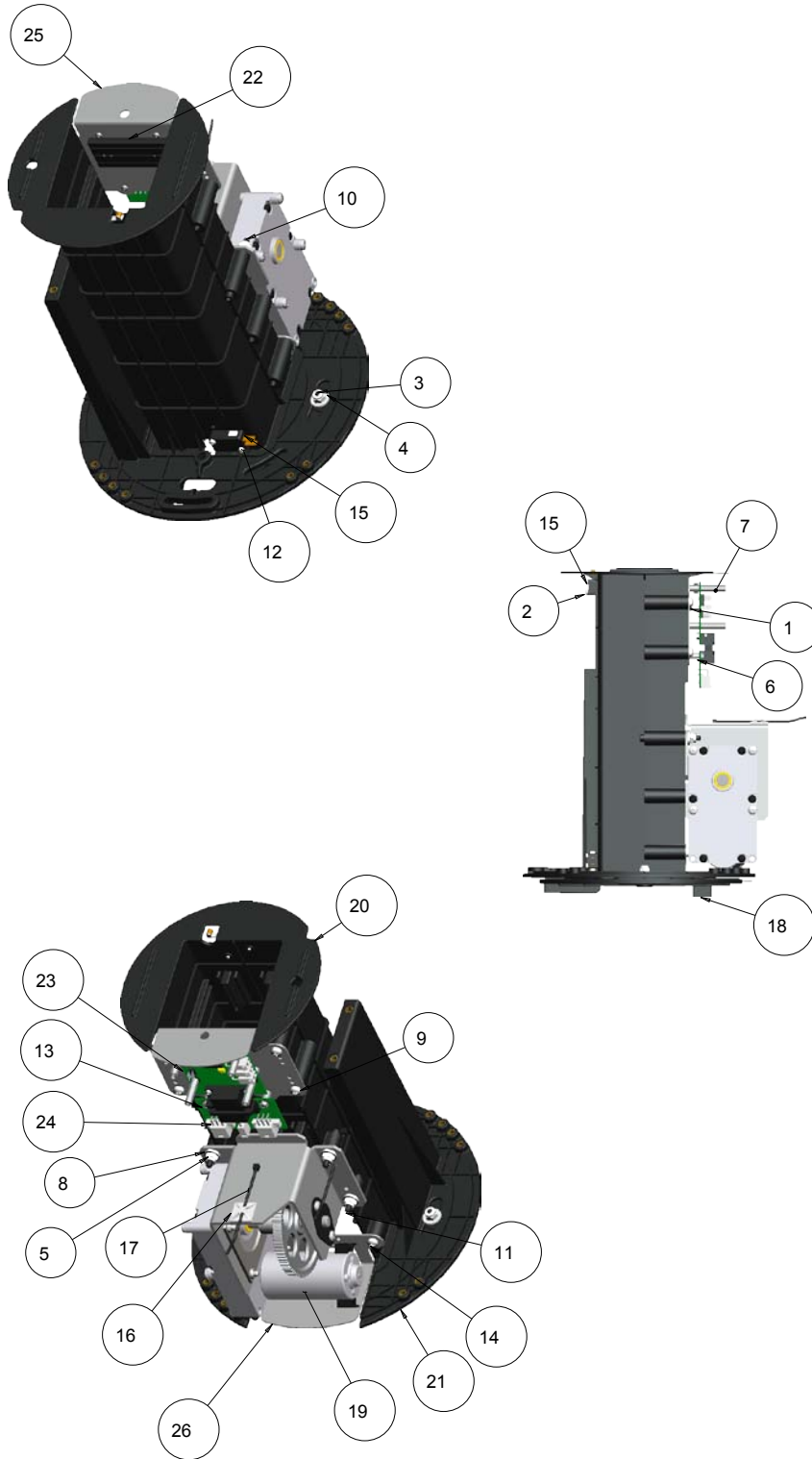
CAM/CAM ASSEMBLY - ULTRA

SYM	REQ	PART NO	DESCRIPTION
1	4	1-14261A	STANDOFF-1/4 HEX #4-40 X .75 MF
2	8	1-23503A	SCREW- FHMS, #4-40 X 3/8
3	6	1-30606A	SCREW - PHMS, 4-40 X 1/4
4	6	1-546	LOCKWASHER - #4
5	2	6-02422B3	CABLE-USB A MALE / B MALE
6	2	EAA0321J65A	SHIELD - EMI, CAMERA, UA
7	2	EAK0277J97A	CAMERA SERVICE KIT.
8	2	EAM0044J06A	COVER - PROTECT, CAMERA
9	1	EAM0073J61A	CAM/CAM - MACH. - UA3 UHR
10	2	EAW0235J51A	CABLE ASSY-CAMERA, ULTRA ARAGO

CAM/TARGET ASSEMBLY - ULTRA

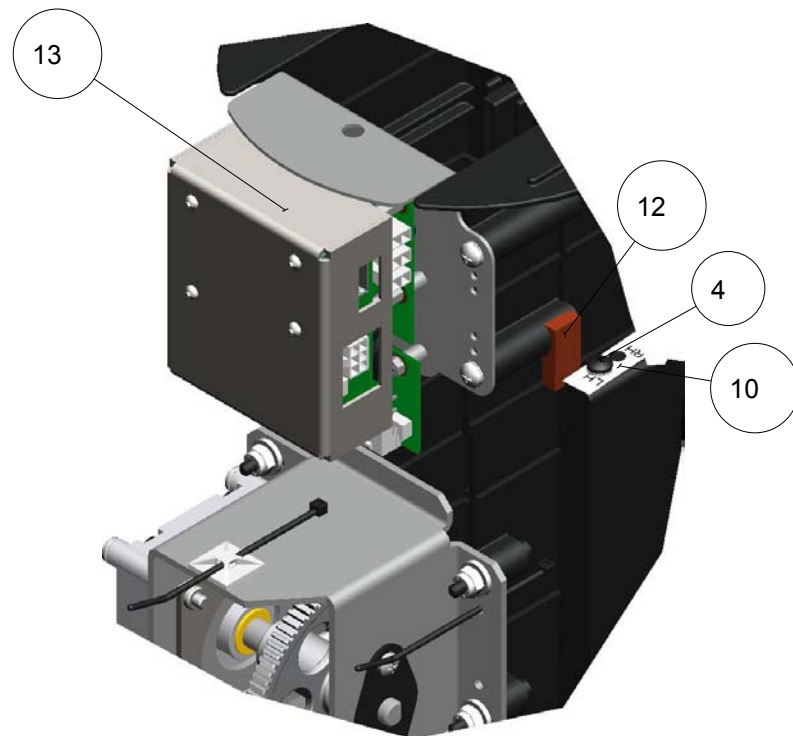
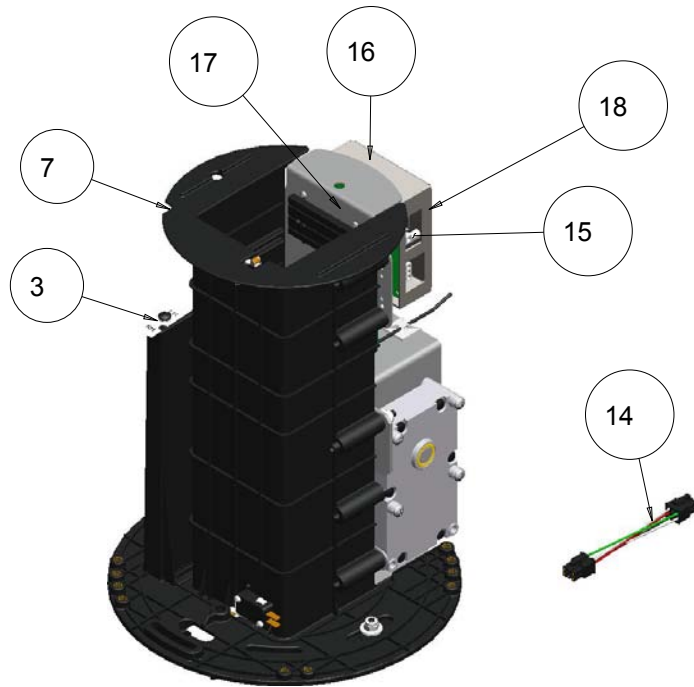
SYM	REQ	PART NO	DESCRIPTION
1	4	1-23503A	SCREW- FHMS, #4-40 X 3/8
2	3	1-30606A	SCREW - PHMS, 4-40 X 1/4
3	3	1-546	LOCKWASHER - #4
4	1	EAA0321J65A	SHIELD - EMI, CAMERA, UA
5	1	EAA0321J67A	TARGET ASM, - UA
6	1	EAK0277J97A	CAMERA SERVICE KIT.
7	1	EAC0055J61A	BEZEL - TARGET, SHIELD
8	1	EAM0044J06A	COVER - PROTECT, CAMERA
9	1	EAM0073J61A	CAM/CAM - MACH. - UA3 UHR
10	1	EAW0235J51A	CABLE ASSY-CAMERA, ULTRA ARAGO

POD ASM , COMMON UA3
EAA0321J61B



SYM	REQ	PART NO	DESCRIPTION
1	2	1-09324A	SCREW, SELF TAP, HHW, #8-32 X 1/4
2	10	1-10006	MSCR PNH #4-40 X 5/8
3	2	1-13006	MSCR PNH #10-24 X 3/4
4	2	1-13944A	WASHER - SHOULDER, SPRING
5	5	1-1437	NUT, NYLOCK #10-24
6	6	1-16961A	SPACER - ROUND
7	4	1-17061A	HEX SPACER - #4-40
8	3	1-24241A	WASHER-FLAT # 10 BLK
9	6	1-347	#10 INTERNAL TOOTH LOCKWASHER
10	1	1-45509A	SCREW, SHCS 10-24 X 2 1/4
11	2	1-52309A	SCREW, SHCS 10-24 X 1 1/4
12	4	1-546	LOCKWASHER - #4
13	2	1-6933	NUT & L/WASHER ASSY 4-40
14	6	1-7106	MSCR PNH #10-24 X 1/2
15	2	2-01763A	SWITCH - BASIC
16	1	5-06945A	CABLE - TIE MOUNT - 4 WAY
17	2	5-2345	TIE - CABLE 4" LG X .10" WD
18	1	8-09419A	STRAIN RELIEF - BUSHING
19	1	EAA0321J81A	MOTOR/GEAR ASM., UA
20	1	EAC0079J37A	SLIDE CAR - ARAGO 3
21	1	EAC0079J38A	PIVOT - BASE, ARAGO 3
22	1	EAM0023J74A	SLIDE PAD 2, ULTRA
23	1	EAP0238J60B	MOTOR CONTROL, ULTRA
24	1	EAP0238J74A	CONNECTOR - MC, PCB, UA
25	1	EAS2084J14A	BRACKET- PCB MTG, ARAGO3
26	1	EAS2084J15A	BRACKET- COVER POD, BOTTOM
27	3	EAW0235J48A	CABLE ASS'Y, ULTRA MOTOR CABLE
28	1	EAW0235J50A	CABLE ASSY-CAMERA, ULTRA ARAGO

POD ASM
EAA0321J69B

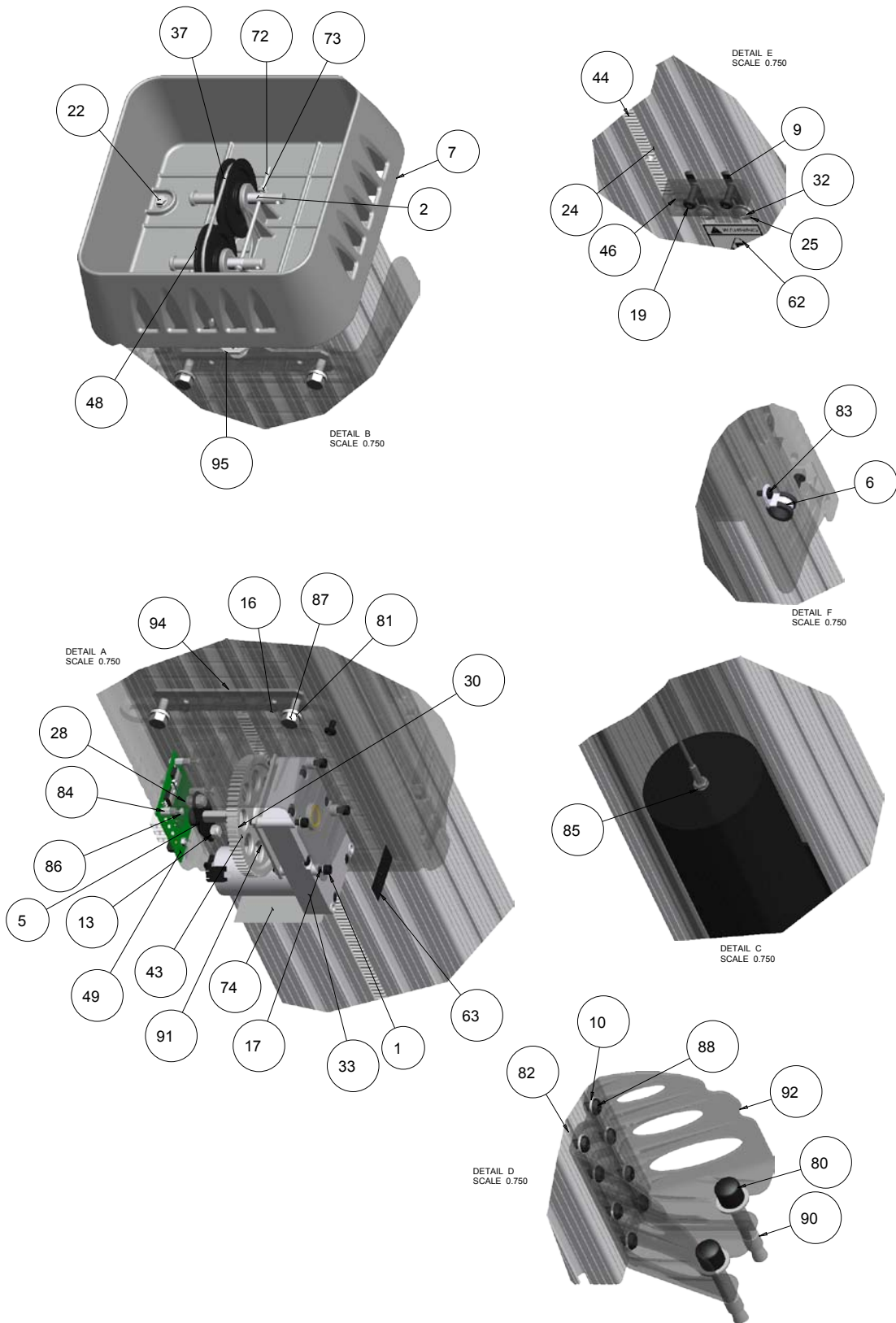


SYM	REQ	PART NO	DESCRIPTION
3	2	1-347	#10 INTERNAL TOOTH LOCKWASHER
4	2	1-7106	MSCR PNH #10-24 X 1/2
5	4	5-2345	TIE - CABLE 4" LG X .10" WD
6	1	EAA0321J32B	CAM/CAM ASM., UA3 UHR
7	1	EAA0321J61B	POD ASM. - UHR COMMON, UA3
10	1	EAL0392J71A	SCREW POSITION - ARAGO POD
12	1	EAM0044J32A	STRIP - RUBBER, SILCONE
13	1	EAP0238J70A	MINI HUB - PCB ASM.
14	1	EAW0235J49A	CABLE ASM.-SHORT PWR ULTRA ARAGO
15	4	1-11761A	STANDOFF 4-40 X 1 M/F
16	4	1-30606A	SCREW - PHMS, 4-40 X 1/4
17	1	1-6933	NUT & L/WASHER ASSY 4-40
18	1	EAS2084J21A	BODY - MINI HUB, POD

SUPPORT ASSEMBLY MOVEABLE BEAM
EAA0321J19C



SUPPORT ASSEMBLY MOVEABLE BEAM
EAA0321J19C



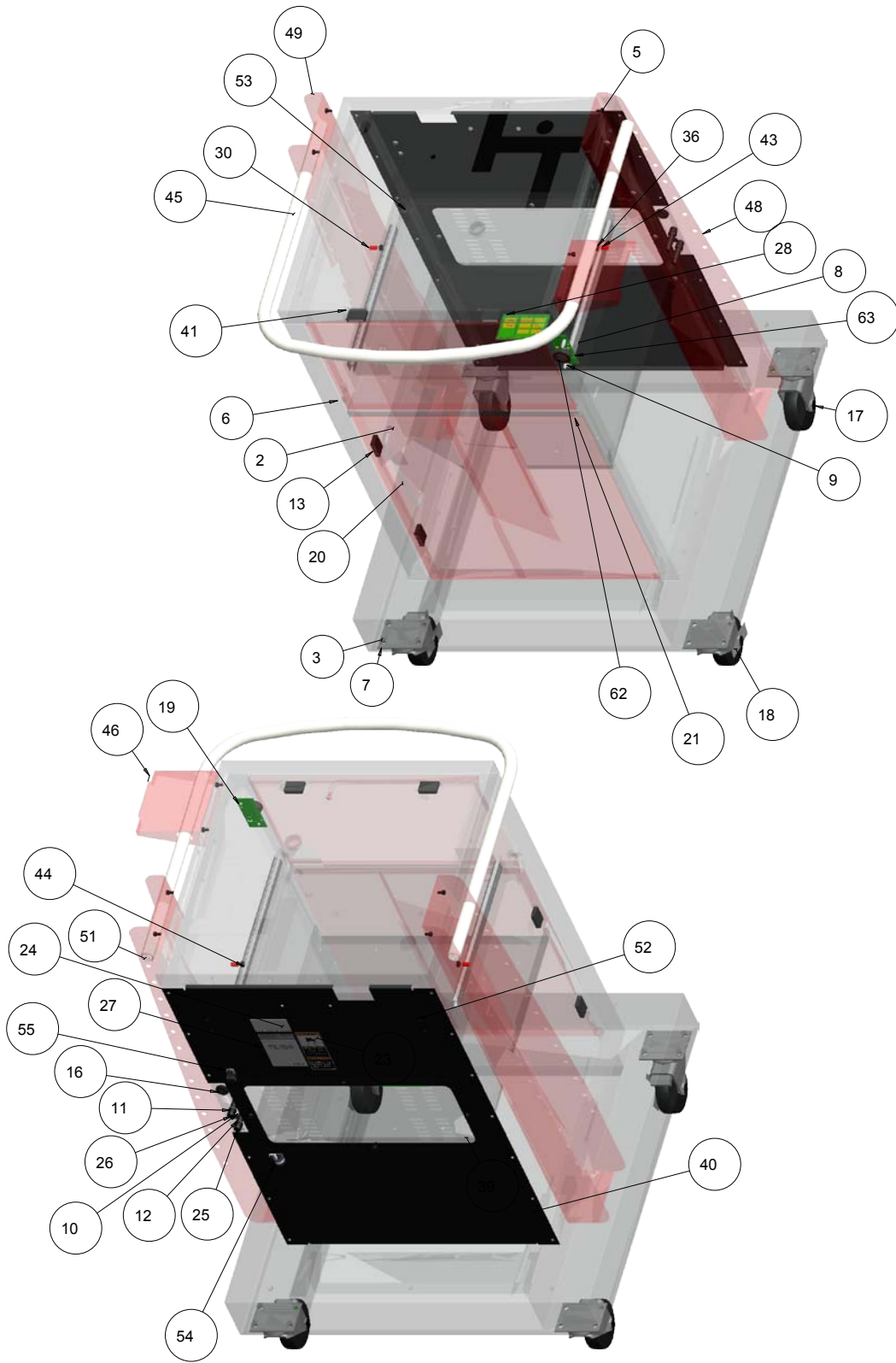
SUPPORT ASSEMBLY MOVEABLE BEAM

EAA0321J19C

SYM	REQ	PART NO	DESCRIPTION
1	4	1-53401A	SCREW - SHC, #10-32 X 1 3/4
2	2	1-03955A	CLEVIS PIN, ULTRA
3	1	EAA0361J60A	ASSY., COUNTERWEIGHT MOVEABLE BOOMM
4	3	5-10426A2	TAPE-VELCRO 1" LOOP
5	1	1-02863A	BEARING- FLANGE MTD
6	1	1-03382A	CLAMP METAL, 1/2
7	1	EAC0105J38A	BRACKET - CAST - TOP, UA2M
9	6	1-08508A	WELD NUT, DUAL TAB - 1/4-20
10	30	1-10041	WASHER - FLAT, 5/16
13	2	1-1437	NUT, NYLOCK #10-24
16	4	1-32806A	SCREW - PHMS #10-24 X 3/8
17	2	1-347	#10 INTERNAL TOOTH LOCKWASHER
19	5	1-44009A	SCREW-BHCS, 1/4-20 X 7/8
22	4	1-48701A	SCREW-HHW, #10-24 X 5/8,
24	12	1-2506	MSCR PNH #6-32 X 1/2
25	2	1-541	WASHER STEEL
27	3	1-6933	NUT & L/WASHER ASSY 4-40
28	2	1-7106	MSCR PNH #10-24 X 1/2
30	1	1-7433	NUT & L/WASHER ASSY, 1/4-20
32	2	1-806	MSCR PNH 1/4-20 X 3/8
33	1	2-44066A	GEAR MOTOR, 12V, ULTRA
37	1	EAA0321J17A	CABLE ASM.- ULTRA, WEIGHT
38	1	EAC0079J28A	COVER - MOTOR, ULTRA
39	1	EAM0054J64A	EXTRUSION - MAIN, 4 X 7
43	1	EAC0090J07A	SPUR GEAR- MOVEABLE, ULTRA
44	4	EAC0090J06A	RACK MOVE UA, IC
46	2	EAM0023J85A	STOP - LIMIT SWITCH
47	1	EAM0023J86A	COVER - CW, CUT ULTRA
48	2	EAM0044J05A	PULLEY- ULTRA MOVEABLE
49	1	EAP0238J60B	MOTOR CONTROL, ULTRA
56	1	EAW0235J47A	CABLE ASSY - ULTRA MOTOR CONTROLLER
57	1	EAW0259P01A	CABLE ASS'Y MOTOR DRIVE
58	5	6-0739	SHIM PLATE .06 THK
59	5	6-0740	SHIM PLATE .125 THK
60	1	8-28560A	SKID-CAMERA BEAM
61	1	8-28660A	CARTON-CAMERA BEAM ASSY
62	1	EAL0392J07A	LABEL- WARNING
63	1	EAL0392J11A	LABEL-PATENT EUROPE
64	1	8-36760A1	INSERT-CAMERA BEAM
72	1	1-30806A	SCREW-PHMS, 6-32 X 4,
73	1	1-737	NYLON INSERT NUT #6-32

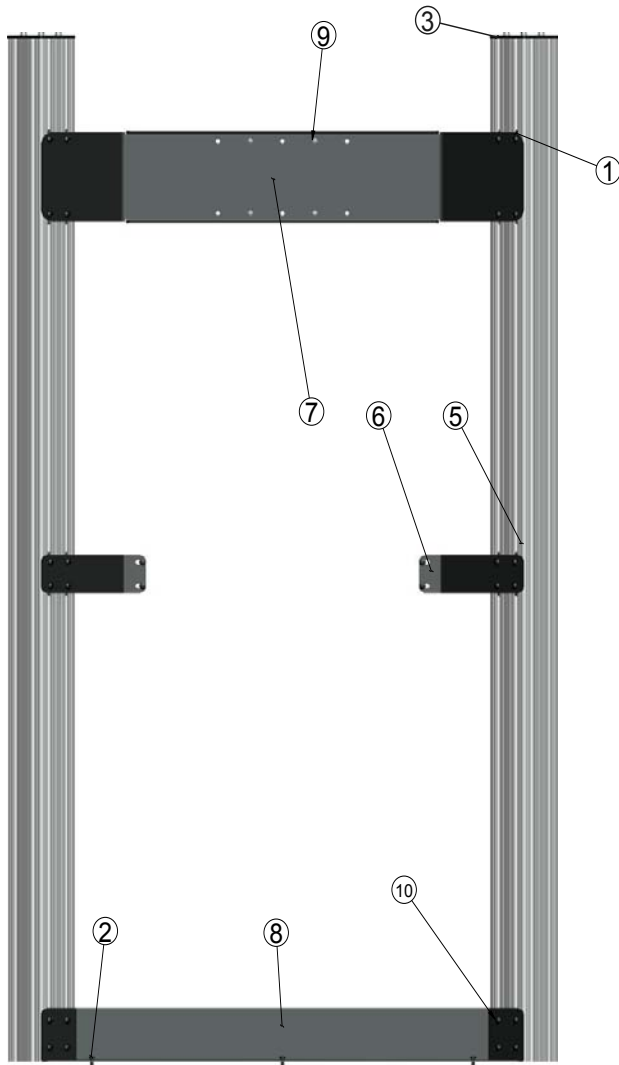
74	1	EAL0343J76A	ELECT/SERIAL LABEL
80	6	1-04476A	PLUG HOLE-NUT COVERS
81	4	1-06747A	5/16, LOCKWASHER, INTERNAL TOOTH
82	12	1-08039A	NUT-DOUBLE
83	3	1-10124A	SCREW - PHM, #10-14 THREAD FORM, TRI.
84	3	1-15761A	STANDOFF-3/16 HEX #4-40 X .50 MF
85	3	1-24533A	NUT - LOCK 1/4-20, THIN
86	3	1-27403A	PHMS, #4-40 X 3/8 W/ EXT LOCK WASH
87	4	1-52901A	SCREW - HEX HEAD 5/16-24 X 7/8"
88	24	1-54009A	SCREW - 5/16-18, BHC
89	1	5-2345	TIE - CABLE 4" LG X .10" WD
90	6	8-02440A	STUD ANCHOR BOLT, 1/2 X 3.75"
91	1	EAA0321J63A	PLATE ASM. - MOTOR LOCK, UA
92	3	EAC0090J85A	BRACKET - CAST, TOWER, VA
93	1	EAC0090J86A	BRACKET - SLIDE CAR, UA2M
94	1	EAS2105J63A	PLATE - UA2M, BRACKET
95	1	EAS2105J66A	BRACKET - UA2M, CABLE MTG.

CABINET
EAA0353J59B



SYM	REQ	PART NO	DESCRIPTION
2	6	1-18941A	WASHER-FLAT, .195 X .619 X .06 THICK
3	16	1-13501A	SCREW, HEX M8X20ST/FT
4	65	1-15158A	RIVET 4.8MM, BLACK
5	12	1-16006A	SCREW-M5X12MM PAN HD, BLK
6	4	1-25306A	PHMS, M5 X 20MM
7	16	1-446	LOCKWASHER
8	12	1-38909A	BHCS, M4 X 12MM
9	2	1-04084A	STANDOFF - NYLON
10	2	2-15651A	FUSE HOLDER
11	1	2-18451A	FUSE - 5A SLOW BLOW
12	1	2-22951A	FUSE - 10 AMP, 250V
13	4	8-03642A	MAGNETIC CATCH
15	2	8-08116A	BUSHING-SNAP 16/16ID,29/64LG
16	1	8-09816A	GROMMET-BLACK .25 ID X 1.00 OD
17	2	8-28839A	CASTOR-SWIVEL 4"
18	2	8-28939A	CASTOR-SWIVEL 4" WITH BRAKE
19	2	1-9733	NUT-M4 ZINC
20	2	8-11133A	HANDLE- PC/PRINTER SHELF DOORS
21	4	1-5665	BUSHING - SHOULDER
23	1	111243	LABEL-WARNING EXPLOSION
24	1	EAL0343J76A	ELECT/SERIAL LABEL
25	1	EAL0343J99A	LABEL FUSE 10A
26	1	EAL0345P51A	LABEL FUSE 5 A
27	1	EAL0392J18A	LABEL-PATENT ALIGNMENT
28	1	EAL0392J58A	LABEL-USB LOCATION
30	2	1-10376A	CAP - SCREW VINYL
36	2	1-11633A	NUT-M6 X 5,2MMTHK, BLK
40	1	EAS2091J83A	BACK PANEL ASSY UNIVERSAL CONSOLE
41	4	1-18206	SCREW M3 X 12, PAN HD, BLK
43	2	1-40109A	SCREW-BHCS,M6 X 1MM X 30MM
44	4	1-9841	WASHER PLAIN, 6MM
45	1	EAA0353J29A	HANDLE ASSY - CHROME PLATED
46	1	EAS2105J37A	MOUSE - TRAY UNIVERSAL CONSOLE
48	1	EAS2105J33A	BRACKET - REINFORCEMENT, RH
49	1	EAS2105J38A	BRACKET - REINFORCEMENT, LH
50	2	EAS2105J40A	BRACKET - MTG, MAGNETIC CATCH
51	2	1-42509A	SCREW-BHCS,M4 X 25MM
52	4	8-02340A	CLIP KEYHOLE NYLON
53	2	1-01737A	NUT-ESNA,M4
54	1	1-03382A	CLAMP METAL, 1/2
55	1	2-09457	CLAMP METAL, 3/8
58	1	88635	POWER CORD-3 COND IEC-301
59	1	5-11026A	STRAP NYLON, 3/4"X72",DBL BUCKLE, BLK
62	1	EAL0343J22A	WINDOW-REMOTE
63	1	EAP0238J54A	PCB ASSY- USB, IR

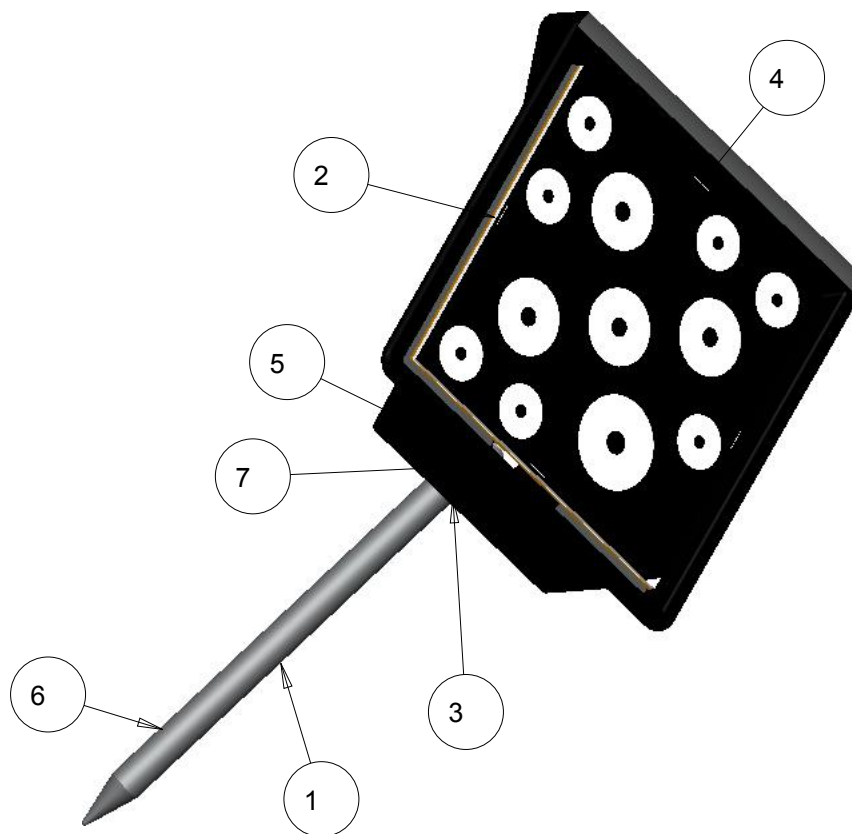
MTG TOWER PREMIUM CONSOLE
EAA0353J55A



SYM	REQ	PART NO	DESCRIPTION
1	24	1-08508A	WELD NUT, DUAL TAB - 1/4-20
2	7	1-16006A	SCREW-M5X12MM PAN HD, BLK
3	2	1-19284A	PLATE - END
5	2	EAC0090J87A	TOWER - EXTRUSION
6	2	EAS2105J60A	BRACKET - UPPER
7	1	EAS2105J62A	BRACKET - LCD MTG
8	1	EAS2105J65A	BRACKET - LOWER MTG. TOWER
9	4	1-24606A	SCREW-PHMS,M4 X .7MM X 12MM
10	24	1-2509	SCREW-BHCS, 1/4 - 20 X 5/8
11	8	1-4426	#10-24 X 5/8, TYPE T (23) PH

RIDE HEIGHT TARGET ASSEMBLY

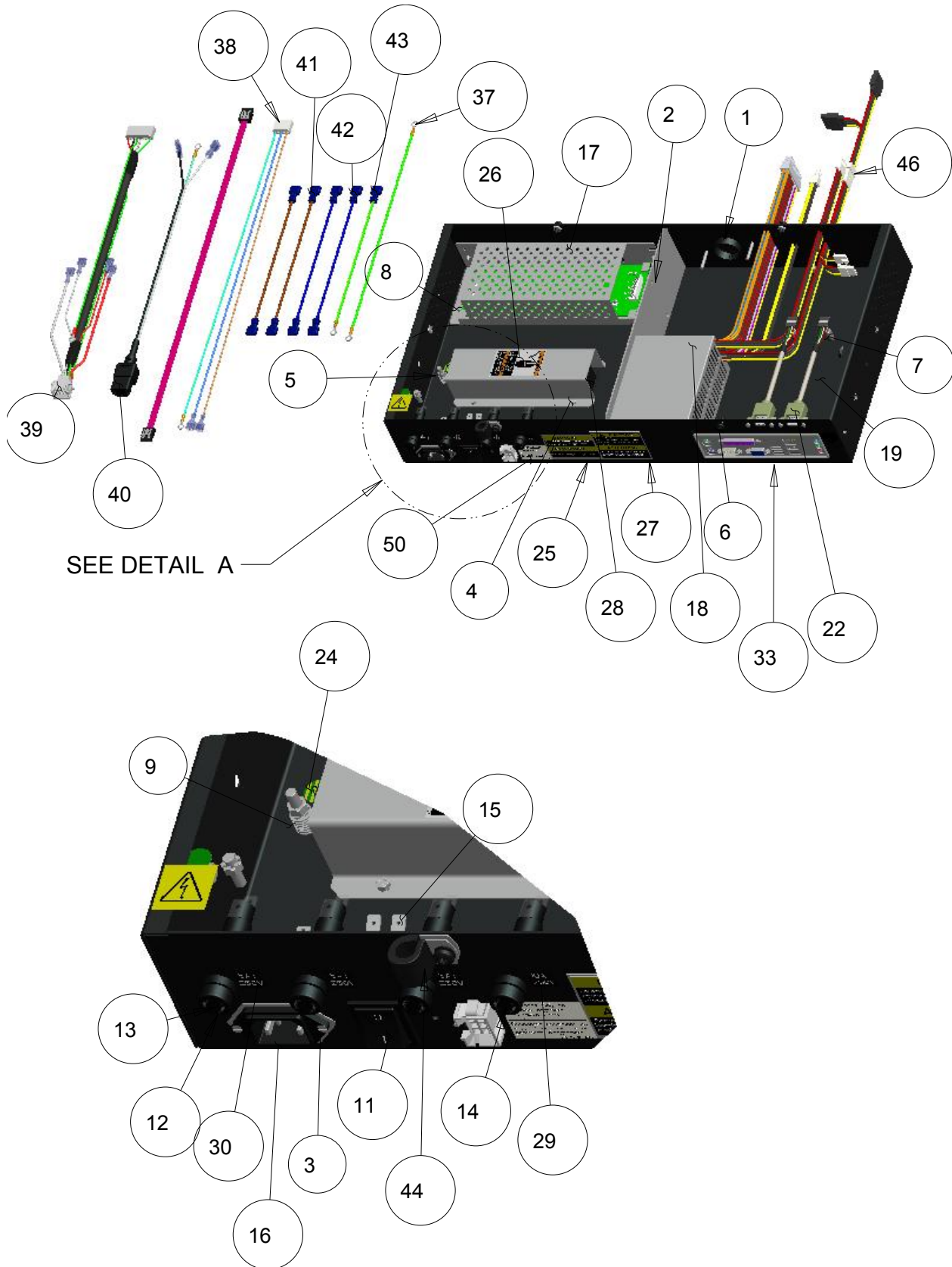
EAA0305J50A



SYM	REQ	PART NO	DESCRIPTION
1	1	EAM0073J13A	ROD-THREADED END RIDE HEIGHT
2	1	EAA0305J66A	TARGET SANDWICH - RIDE HEIGHT
3	1	89456	BEARING - TARGET, FRONT/REAR
4	1	EAL0343J57A	LABEL-ATTENTION, STORAGE
5	1	1-933	NUT-HEX, 1/2-13
6	1	5-8932M	HEAT SHRINK, TGB 0.75", BLACK
7	1	1-1041	WASHER STEEL
*	1	EAA0305J60A	RIDE HEIGHT CALIBRATION FIXTURE

PC ASSEMBLY GENERIC

FOR SERVICE ORDER
EAA0353J83A1



SYM	REQ	PART NO	DESCRIPTION
1	1	1-06976A	HOLE PLUG 1.25" DIA.
2	8	1-09161A	SPACER M3 X 14 THREADED
3	2	1-11103	M3 X 10MM FLAT HEAD SCREW
4	11	1-15033	BARB NUT M3
5	2	1-13633A	BARB NUT M5
6	4	1-16006A	SCREW-M5X12MM PAN HD, BLK
7	4	1-16461A	STANDOFF-1/4 HEX #6-32 X .50 M/F
8	12	1-27406A	SCREW - PHM, M3 X 10MM
9	7	1-3347	LOCKWASHER, INTERNAL TOOTH
10	4	1-37106A	SCREW - FLAT HD #6-32 X 1/4
11	1	2-12258A	SWITCH, ROCKER
12	4	2-15651A	FUSE HOLDER
13	3	2-18451A	FUSE - 5A SLOW BLOW
14	1	2-22951A	FUSE - 10 AMP, 250V
15	4	2-31001A	TERMINAL - QUICK CONNECT
16	1	2-37348A	AC RECEPTACLE & LINE FILTER (IEC)
17	1	2-43166A1	POWER SUPPLY ADJUSTED
18	1	2-54866A	PC - POWER SUPPLY
22	1	6-08622A	USB CABLE ASM. - PC
23	1	8-7216	PLUG-HOLE, 16MM DIA
24	2	8-23762A	LABEL - EARTH SYMBOL
25	1	86164	LABEL-WARNING, FUSE RATING
26	1	86465	LABEL-WARNING, SHOCK HAZARD
27	1	111245	LABEL-CAUTION, ELECTRICAL
28	1	EAA0261P60A	POWER STRIP - 7 CON
29	1	EAL0343J99A	LABEL-FUSE 10A,250V
30	3	EAL0345P51A	LABEL FUSE 5 A
31	1	EAL0345P54A	ELECTRICAL WARNING LABEL
32	1	EAL0343J76A	ELECT/SERIAL LABEL
33	1	EAS2105J91A	ASSY - ELECTRICAL V3D PC SHELF
35	1	EAS2105J94A	ASSY - COVER, ELECT. V3D PC SHELF
36	1	EAS2105J96A	COVER - OUTLET
37	1	EAW0235J36A	CABLE ASSY- GROUND, 12"
38	1	EAW0235J41A	CABLE ASS'Y-POWER, 3 WAY
39	1	EAW0235J73A	CABLE ASSY - INTERFACE HUB, PC
40	1	EAW0235J74A	CORD - POWER, PC IN BOX
41	2	EAW0243P22A	LINK WIRE, BROWN
42	2	EAW0243P23A	LINK WIRE, BLUE
43	1	EAW0243P25A	LINK WIRE, GRN/YEL
44	1	2-09457	CLAMP METAL, 3/8
45	4	1-3806	MSCR PNH #6-32 X 3/8
46	1	6-09022A	ADAPTOR CABLE POWER SUPPLY TO MOTHER BOARD
47	1	EAL0343J64A	LABEL-CAUTION, VOLTAGE SELECTION
48	6	5-2345	CABLE TIE
49	6	5-06945A	MOUNT, CABLE TIE
50	1	EAL0415J13A	LABEL-CONNECT TO CAMERA BEAM
51	1	EAL0415J15A	LABEL- ELECTRICAL RATING

JohnBean™

Snap-on Equipment
309 Exchange Ave.
Conway, AR 72032
501-450-1500

Notice: The information contained in this document is subject to change without notice. Snapon Equipment makes no warranty with regard to this material. Snapon Equipment shall not be liable for errors contained herein or for incidental consequential damages in connection with furnishings, performance, or use of this material.

This document contains proprietary information which is protected by copyright and patents. All rights are reserved. No part of this document may be photocopied, reproduced, or translated without prior written consent of Snapon Equipment.