

WHEEL ALIGNER



V3300 - Geoliner 770 Parts Manual

EEWA552B2-EEWA752B2

All information contained or disclosed in this document is considered confidential and proprietary by Snap-on. All manufacturing, use, reproduction, and sales rights are reserved by Snap-on and the information contained herein shall not be used in whole or in part without the express written consent of Snap-on.

Table of Contents

ALIGNMENT MODELS	2
BOM V3300 - GEOLINER 770.....	3
KIOSK.....	4
ELECTRICAL SHELF	6
LEFT HAND CAMERA ARM	8
CAM-CAM.....	10
RIGHT HAND CAMERA ARM	12
CAM-TAR.....	14
TOWER.....	16
SLIDE CAR.....	18
AC400 WHEEL CLAMP	20
AC100 / AC200 WHEEL CLAMP	22

ALIGNMENT MODELS

MODEL #	DESCRIPTION
EEWA552B2	V3300 JOHN BEAN, AC400
EEWA552H2	V3300 JOHN BEAN, AC200
EEWA752B2	GEOLINER 770,HOFMANN,AC400
EEWA752H2	GEOLINER 770,HOFMANN,AC200
EEWA552BE2	V3300 JOHN BEAN, AC400 ETHOS
EEWA552HE2	V3300 JOHN BEAN, AC200 ETHOS
EEWA752BE2	GEOLINER 770,HOFMANN,AC400 ETHOS
EEWA752HE2	GEOLINER 770,HOFMANN,AC200 ETHOS
EEWA552BV2	V3300 JOHN BEAN, AC400 W/VIN SCANNER
EEWA552HV2	V3300 JOHN BEAN, AC200 W/VIN SCANNER
EEWA752BV2	GEOLINER 770,HOFMANN,AC400 W/VIN SCANNER
EEWA752HV2	GEOLINER 770,HOFMANN,AC200 W/VIN SCANNER

TEEWA552B23 - V3300 - GEOLINER 770 SPARE PARTS

BOM V3300 - GEOLINER 770

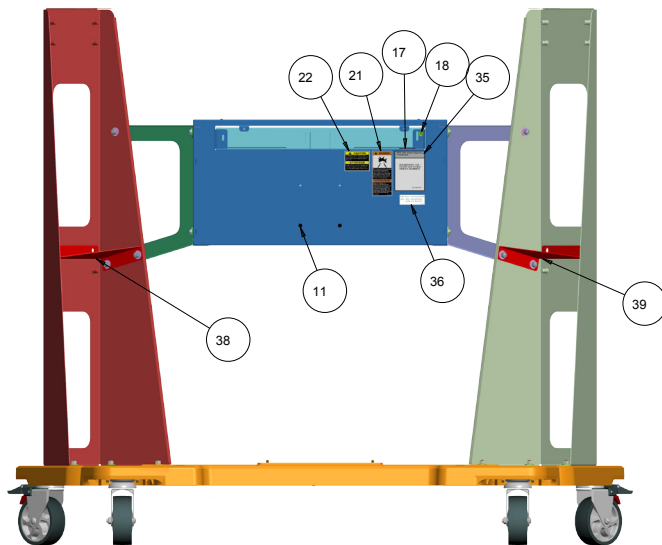
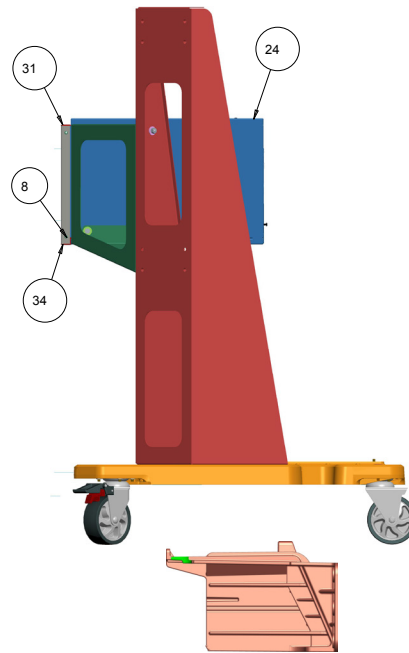
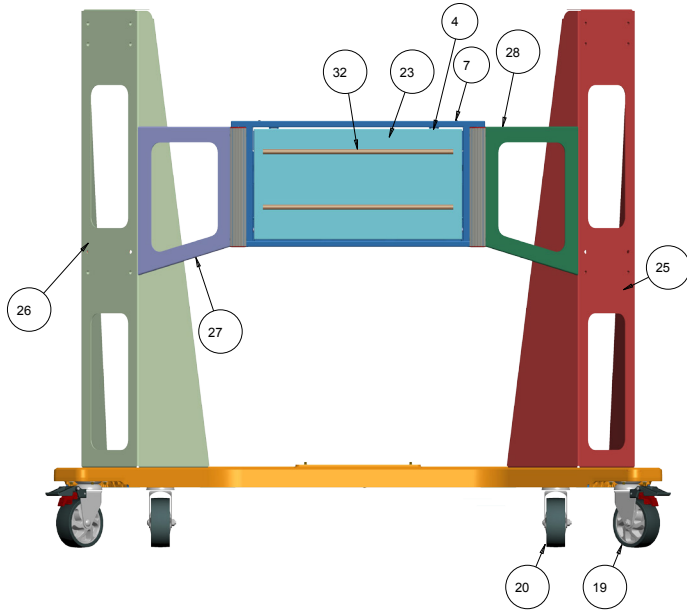
PART NUMBER	DESCRIPTION
EAK0289J86B	KIT-VIN SCANNER (OPTION)
3-08006A	KIT – MOUSE/KEYBOARD, USB
EAK0268J05A	PRINTER KIT - USB
EAW0290J26A	POWER CORD-5 METERS
EAL0343J76A	LABEL - SERIAL
96	DEPRESSOR ASSY. PEDAL
55502	STEERING WHEEL HOLDER
EAK0289J61C	KIT – MONITOR 24” W/ HDMI (MTG SCREWS IN KIT)
1-39506A	SCREW – PHM, M8 X 16MM (MTG CLAMP HOLDER TO KIOSK)
EAC0129J41A	CLAMP HOLDER, LOWER
1-64209A	SCREW – BHC, M12 X 25MM (MTG TOWER TO BASE)
EAC0090J82A	WHEEL CHOCK RUBBER
EAL0392J89A	LABEL - CUSTOMER SERVICE JBC
EAK0320J26A	KIT – AC400, FRONT SHIPMENT, PAIR
EAK0305J60A	KIT – AC400, REAR SHIPMENT, PAIR
EAK0320J99A	KIT - V3300 DECALS
EAK0334J03A	KIT – GEO 770XD DECALS
TEEWA552B0	INSTALLATION INSTRUCTIONS
ZEEW A552B	OPERATOR’S MANUAL
EAA0469J60A	ARM – RH ASM, CAM/TAR, FF
EAA0469J61A	ARM – LH ASM, CAM/CAM, FF
EAA0469J33A	KIOSK ASM – JBC
EAA0469J66A	KIOSK ASM – HOF
EAA0469J50A	COLUMN – V3300
EAA0469J77A	FULL ASM-V3300 ELECT. SHELF
3-82226A	SOFTWARE LICENSE-MITCHELL1
EAK0320J98B	KIT, DOCKING
1-05737A	NUT-KEPS,M8 (ATTACH CLAMP HANGERS TO KIOSK)
1-2541	WASHER-FLAT,5/16” (ATTACH CLAMP HANGERS TO KIOSK)

TEEWA552B23 - V3300 - GEOLINER 770 SPARE PARTS

KIOSK

EAA0469J33A - JBC

EAA0469J66A - HOFMANN

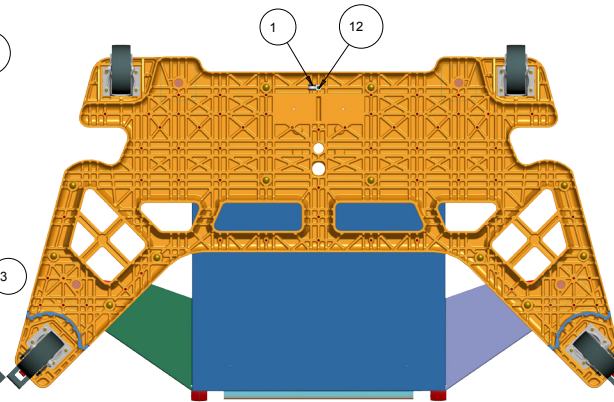
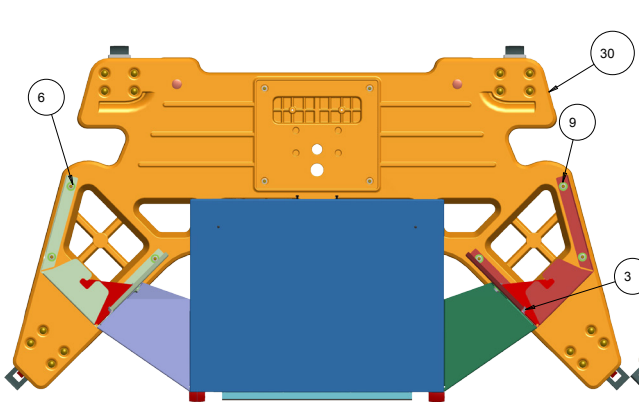


- 4- EAC0129J41A - WHEEL CLAMP HOLDER LOWER
- 1-39506A - SCREW – PHMS, M8 X 1.25MM X 16MM



EAK0320J98B - KIT DOCKING PADS (OPTIONAL)

- EAC0116J57B - PAD
- 1-27184A - DRIVE ANCHOR, ¼"X1" LG



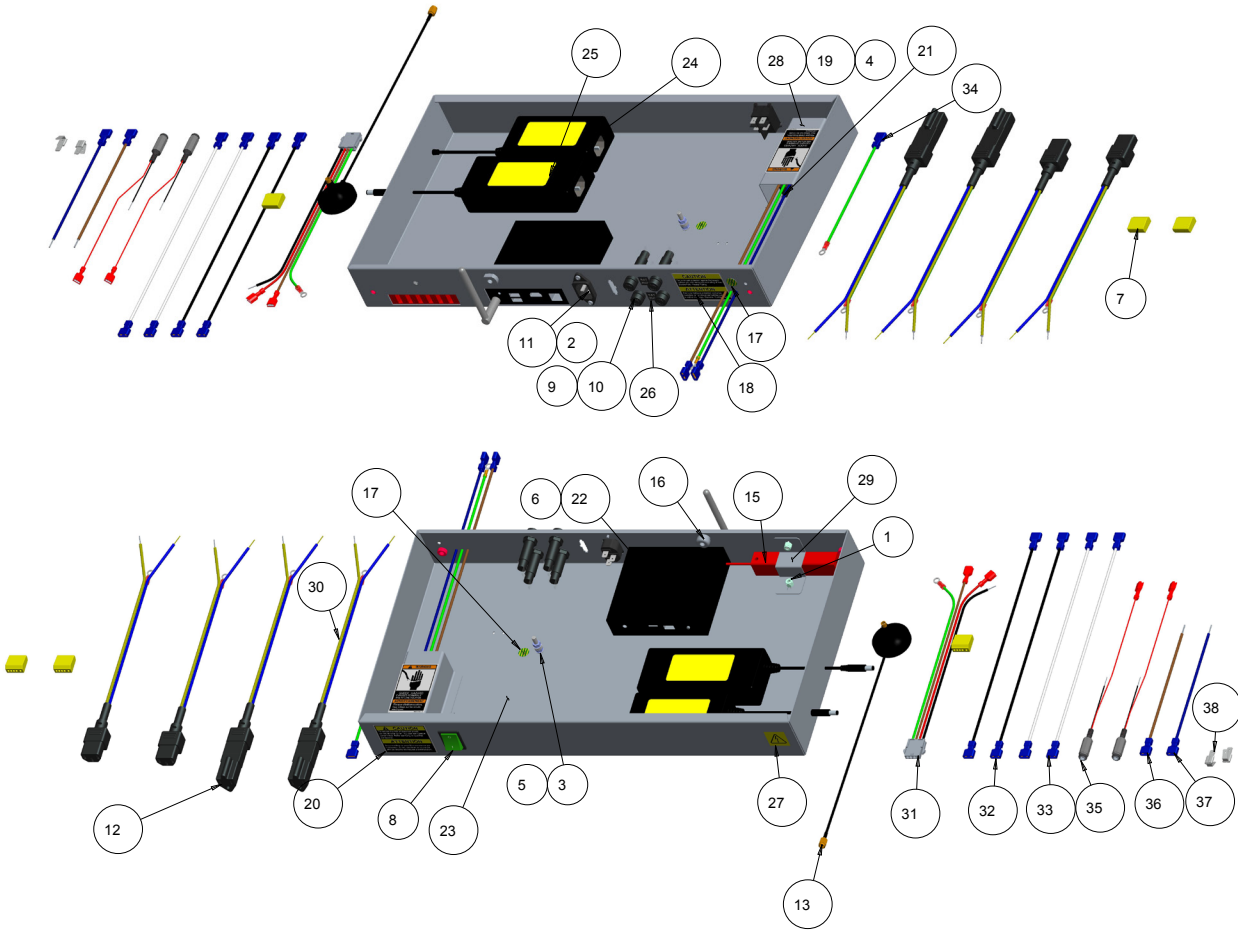
TEEWA552B23 - V3300 - GEOLINER 770 SPARE PARTS

SYM	REQ	PART NO	DESCRIPTION
1	1	1-03382A	CLAMP METAL, 1/2
2	2	1-04107A	SCREW-PHM, M5X20MM, NYLOK
3	6	1-05737A	NUT - KEPS,M8
4	2	1-11103	M3 X 10MM FLAT HEAD SCREW
5	2	1-11233	NUT - HEX, M3 DIN 934
6	24	1-5433	NUT - KEPS, 5/16-18
7	2	1-14076A	HOLE PLUG - 3/16" DIA, BLK
8	8	1-17358	RIVET, ALUMINUM 4MM
9	28	1-2541	WASHER, FLAT 5/16
10	14	1-32601A	MSCR,HEX HD, M8X20MM
11	2	1-36109A2	SCR-SKT BTN HD CAP-BLK (M5 X 10MM)
12	1	1-42006A	SCREW - #10-14 X 3/4, (SELF TAP) PHM
13	2	1-5665	BUSHING - SHOULDER
14	8	1-65109A	SCREW - BTN HD CAP,M4X8MM
15	2	8-04842A	MAGNET, 12MM X 15MM X 3MM
16	2	8-06488A	SLIDE-DRAWER
17	1	8-10216A	BUSHING - UNIVERSAL,
18	1	8-23762A	LABEL - EARTH SYMBOL
19	2	8-33939A	CASTER - SWIVEL 5" W/ BRAKE
20	2	8-33939B	CASTER - SWIVEL 5" W/O BRAKE
21	1	111243	LABEL-WARNING EXPLOSION
22	1	00111245000	LABEL CAUTION ELECTRICAL
23	1	EAA0429J86A	KIOSK DOOR - JBC RED
		EAA0429J87A	KIOSK DOOR - HOF BLUE
24	1	EAA0446J86A	KIOSK BOX ASM - BLACK
25	1	EAA0469J27A	LH TOWER ASM - JBC RED
		EAA0469J29A	LH TOWER ASM - HOF BLUE
26	1	EAA0469J28A	RH TOWER ASM - JBC RED
		EAA0469J30A	RH TOWER ASM - HOF BLUE
27	1	EAA0469J34A	RH KIOSK BRIDGE - JBC RED
		EAA0469J37A	RH KIOSK BRIDGE - HOF BLUE
28	1	EAA0469J35A	LH KIOSK BRIDGE - JBC RED
		EAA0469J36A	LH KIOSK BRIDGE - HOF BLUE
29	1	EAA0469J71A	PRINTER DRAWER ASM - V3300
30	1	EAA0469J78A	BASE ASM - SF, TRUSS - V3300
31	4	EAC0116J56A	CAP, CORNER TRIM
32	2	EAC0121V05A	DOOR TRIM, FRONT
33	2	EAC0121V09A	INSERT, PRINTER DOOR
34	2	EAC0123J01A	CORNER TRIM - KIOSK
35	1	EAL0392J18A	LABEL - PATENT ALIGNMENT
36	1	EAL0392J89A	LABEL - CUSTOMER SERVICE
38	1	EAA0473J15A	KIOSK GUSSET - LH,JBC RED
		EAA0473J17A	KIOSK GUSSET - LH,HOF BLUE
39	1	EAA0473J16A	KIOSK GUSSET - RH,JBC RED
		EAA0473J18A	KIOSK GUSSET - RH,HOF BLUE

TEEMAS52B23 - V3300 - GEOLINER 770 SPARE PARTS

ELECTRICAL SHELF

EAA0469J77A



SYM	REQ	PART NO	DESCRIPTION
1	2	1-01737A	NUT - ESNA,M4
2	2	1-12224A	SCREW - THREAD FORMING, M3X0.5
3	2	1-13633A	NUT - BARB,EXT.WASHER,M5
4	2	1-15033	NUT - KEPS, M3 - .5
5	7	1-3347	LOCKWASHER, INTERNAL TOOTH
6	2	1-38606A	SCREW - PHM M3 X 6MM W LOCK WASHER
7	3	2-10346B	WIRE CONNECTOR-5WIRE,12-22 AWG
8	1	2-14258A	ROCKER SWITCH, ILLUMINATED, GREEN
9	4	2-15651A	FUSE HOLDER
10	4	2-18451A	FUSE - 5A SLOW BLOW
11	1	2-64448A	IEC 320-C14 AC RECEPTACLE
12	2	2-78266A	RECPT, NEMA 5-15 TO IEC
13	1	2-78566A	BASE - ANTENNA, MAGNETIC
14/15	1	EAK0350J78A	KIT-V3300 USB
	1		AC/DC ADAPTOR
	1		USB HUB-6 PORT POWERED
16	1	8-09819A	STRAIN RELIEF ROUND CABLE
17	2	8-23762A	LABEL - EARTH SYMBOL
18	1	86164	LABEL - WARNING, FUSE RATING
19	1	86465	LABEL - WARNING, SHOCK HAZARD
20	1	00111245000	LABEL CAUTION ELECTRICAL
21	1	EAA0416V65A	IEC POWER BLOCK, 3 WAY
22	1	EAK0350J68A	HOST CONTROLLER, SVC V3300
23	1	EAA0469J76A	ELECT. SHELF ASM - V3300
24	1	EAE0049J84A	POWER SUPPLY - ALIGNER
25	1	EAE0078J06A	POWER SUPPLY - ALIGNER
26	2	EAL0345P51A	LABEL FUSE 5 A
27	1	EAL0345P54A	ELECTRICAL WARNING LABEL
28	1	EAS2105J96B	COVER - OUTLET
29	1	EAS2186J77A	BRACKET - USB
30	4	EAW0290J16A	CORD - POWER, V3300 POWER SHELF
31	1	EAW0290J17A	CABLE ASM - ALIGNER POWER,
32	2	EAW0290J18A	LINK WIRE - 11 IN, BLK, 16 AWG
33	2	EAW0290J19A	LINK WIRE - 11 IN, WHITE, 16 AWG
34	1	EAW0290J20A	GRND WIRE - 6 IN, GR/YL, 16 AWG
35	2	EAW0290J22A	CABLE ASM - DC BARREL (MALE)
36	1	EAW0290J23A	LINK WIRE - 6 IN, BROWN, 16 AWG
37	1	EAW0290J24A	LINK WIRE - 6IN, BLUE, 16 AWG
38	2	2-31001A	TERMINAL - QUICK CONNECT

TEEMAS52B23 - V3300 - GEOLINER 770 SPARE PARTS

LEFT HAND CAMERA ARM

EAA0469J61A

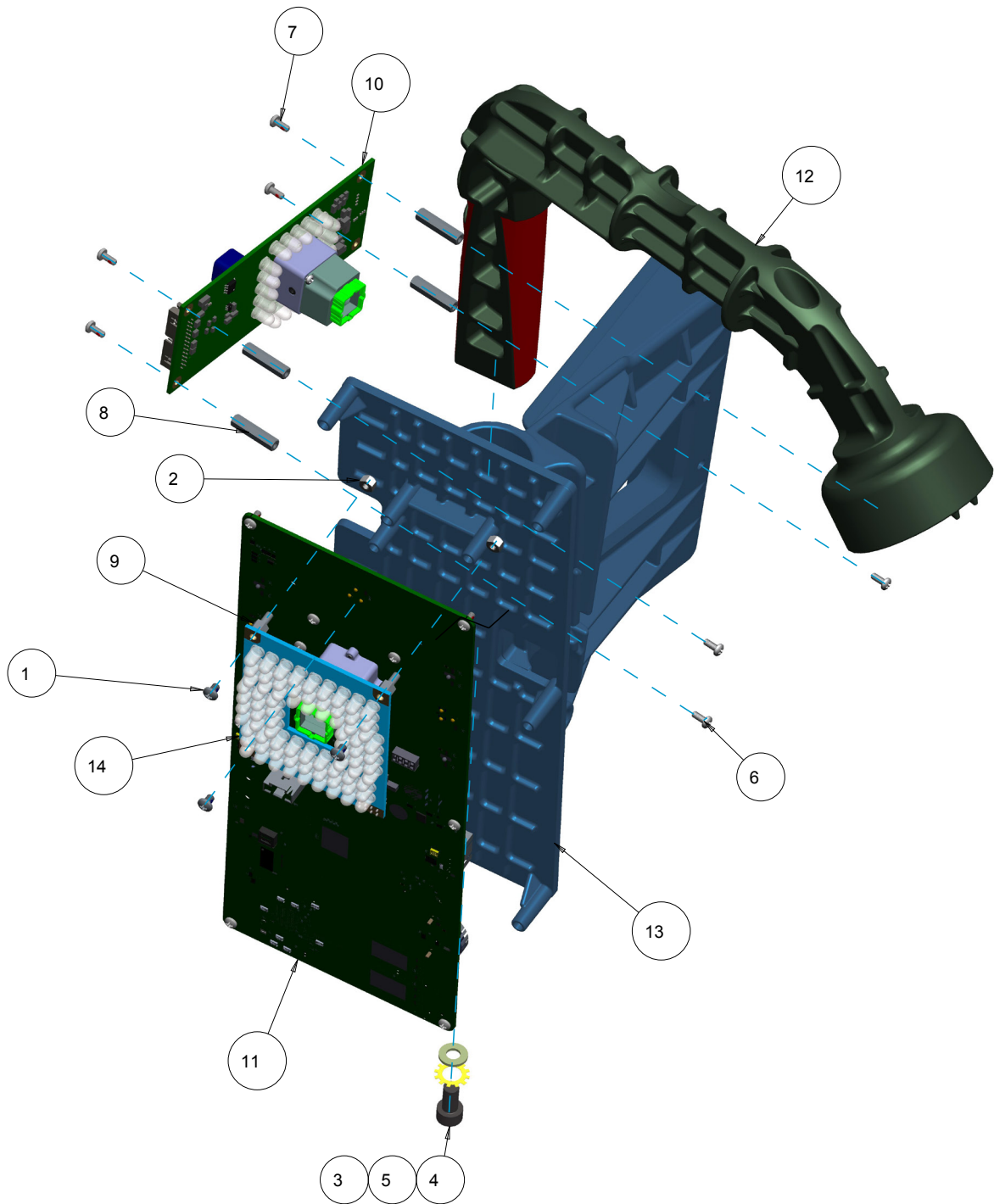


TEEWA552B23 - V3300 - GEOLINER 770 SPARE PARTS

SYM	REQ	PART NO	DESCRIPTION
1	16	1-04937A	NUT - M6, NYLON LOCK
2	1	1-05037A	NUT - M6, SQUARE
3	6	1-16523	PHMS M2.9X9.5MM, SELF TAP
4	2	1-21604A	SCREW - M6 X 100MM, SHC
5	15	1-21704A	SCREW - M6 X 90MM SHC
6	6	5-07745A	HOLDER - CABLE TIE
7	6	5-845	CABLE TIE
8	1	EAA0469J59A	CAM/CAM ASM FULL
9	1	EAC0116J83A	COVER - FT LH, CAMCAM
10	1	EAC0116J85A	COVER - LH BACK, CAMCAM FF
11	1	EAC0116J86A	TRUSS ARM - PIVOT, FRONT FF
12	1	EAC0116J90A	TRUSS ARM - PIVOT, REAR FF
13	1	EAL0452J32A	DECAL - CAMERA, LH, FF
14	1	EAW0290J10A	CABLE ASM - MOTOR/CAMERA
15	1	EAW0290J43A	CABLE-ETHERNET CAT 6, 2 METERS

TEEWMA52B23 - V3300 - GEOLINER 770 SPARE PARTS

CAM-CAM
EAA0469J59A - NA



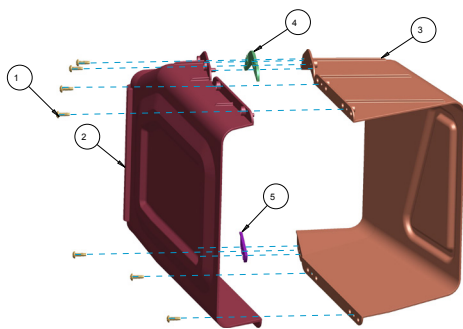
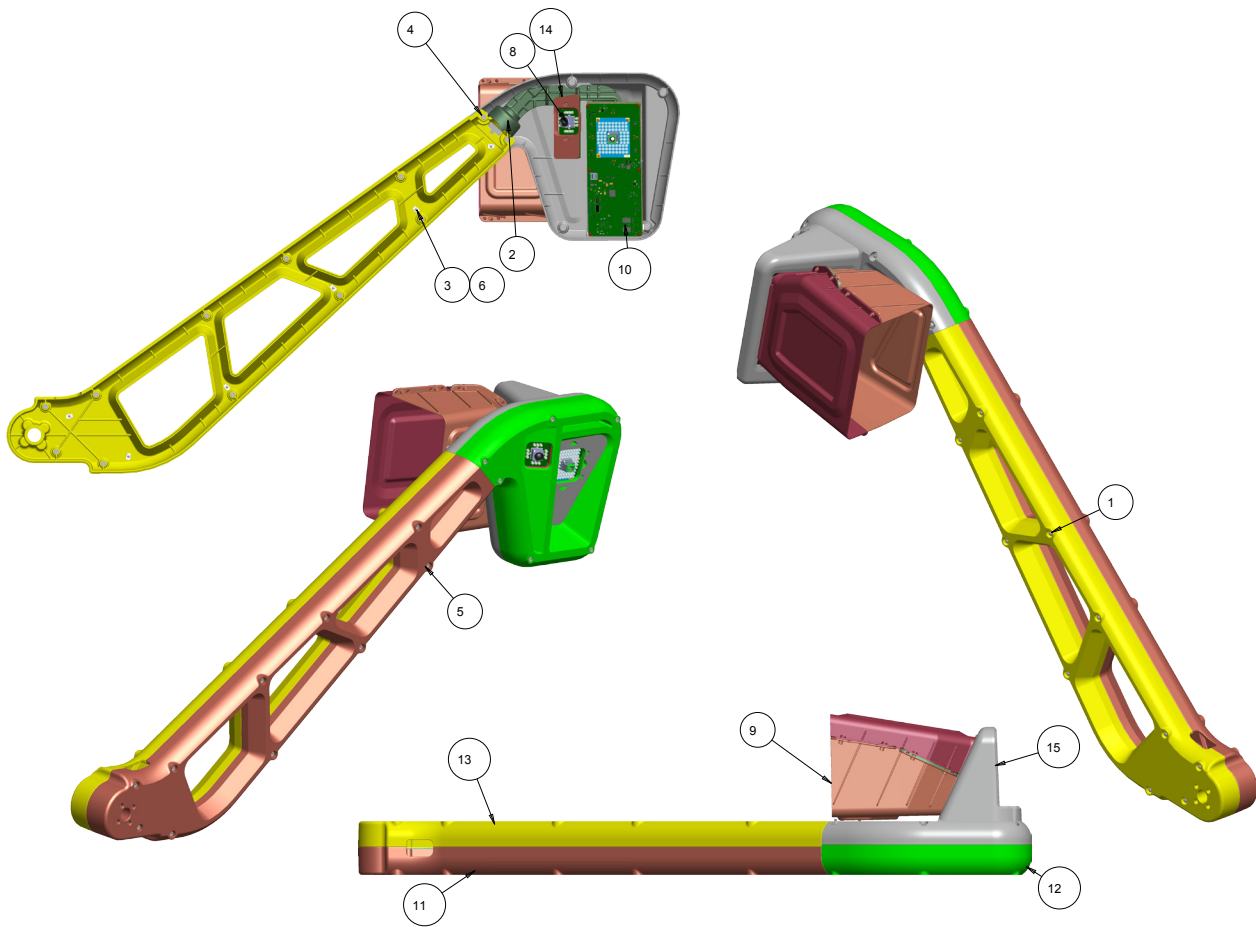
TEEWA552B23 - V3300 - GEOLINER 770 SPARE PARTS

SYM	REQ	PART NO	DESCRIPTION
1	3	1-03907A	SCREW - PHM, M3X4MM,NYLOK
2	3	1-04737A	NUT - LOCK, M3
3	1	1-1548	WASHER-EXT,SHAKEPROOF 6MM
4	1	1-16209	SCREW HEX SOCKET HEAD CUP M6X12
5	1	1-18441A	WASHER - #10
6	4	1-21404A	SCREW - PHM, M2.5 X 8MM
7	13	1-21904A	SCREW - PHM, M2.5 X 6MM, LOCKING
8	4	1-29384A	STANDOFF - M2.5 X 20MM
9	3	1-30584A	STANDOFF - HEX, M3X5MM LG
10	1	EAK0334J29A	FSK - CALIBRATED V3300 CAL CAM
11	1	EAK0350J66A	KIT - CORTEX ASSEMBLY (WIRED)
12	1	EAC0116J82A	SKELETON - COMMON
13	1	EAC0129J39A	BRACKET - CAMCAM, FF
14	1	EAP0280J74A	STROBE 80 LEDS
15	1	EAW0290J13A	CABLE - MAIN TO CAL/COLOR
NS	1	EAW0290J43A	CABLE-ETHERNET CAT 6, 2 METERS

TEEWMA52B23 - V3300 - GEOLINER 770 SPARE PARTS

RIGHT HAND CAMERA ARM

EAA0469J60A



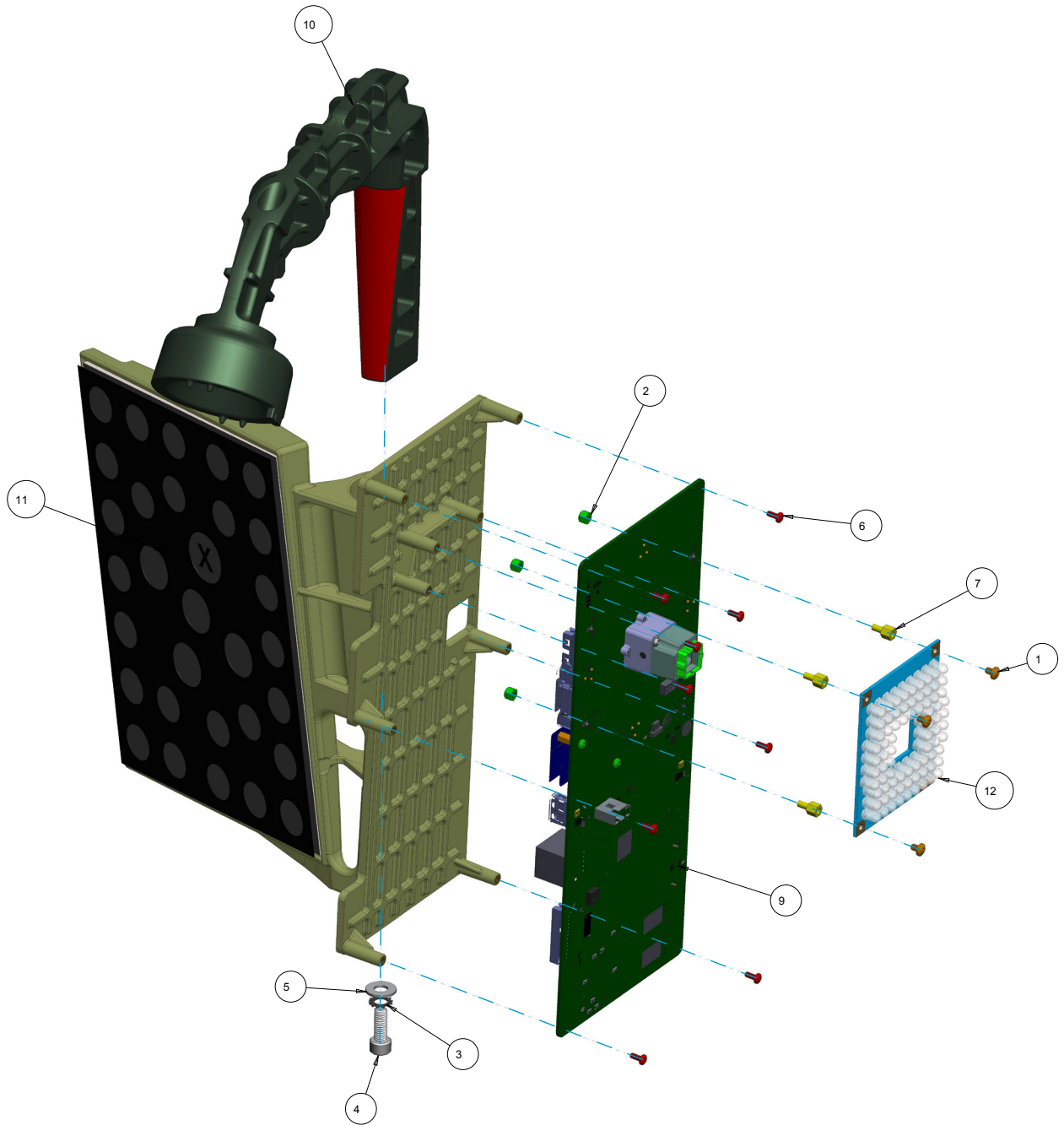
SYM	REQ	PART NO	DESCRIPTION
1	7	1-41006A	SCREW - PHM, #8-16 X 1/2, TORX
2	1	EAC0129J04A	V3300 - ANTI REFLECTION, RH
3	1	EAC0129J05A	V3300 - ANTI, REFLECT, LH
4	1	EAC0129J06A	V3300 - ANTI, REFLECT TOP
5	1	EAC0129J07A	V3300 - ANTI REFLECT, BOTTOM

TEEWA552B23 - V3300 - GEOLINER 770 SPARE PARTS

SYM	REQD	PART NO	DESCRIPTION
1	16	1-04937A	NUT - M6, NYLON LOCK
2	1	1-05037A	NUT - M6, SQUARE
3	12	1-16523	SCREW-PHMS, M2.9X 9.5MM,SELF TAP,TYPE B
4	2	1-21604A	SCREW - M6 X 100MM, SHC
5	15	1-21704A	SCREW - M6 X 90MM SHC
6	6	5-07745A	HOLDER - CABLE TIE
7	6	5-845	TIE - CABLE
8	1	EAA0420J54A	CAMERA - COLOR AID
9	1	EAA0446J52A	V3300 - ANTI REFLECT ASM
10	1	EAA0469J58A	TAR/CAM ASM-FULL
11	1	EAC0116J86A	TRUSS ARM - PIVOT, FRONT
12	1	EAC0116J87A	COVER - FT RH, CAMTAR
13	1	EAC0116J90A	TRUSS ARM - PIVOT, REAR FF
14	1	EAC0123J02A	BRACKET - DRIVE ON, CAMERA
15	1	EAC0123J13A	COVER - RH BACK, CAMTAR FF
16	1	EAL0452J33A	DECAL-CAMERA, RH FF
17	1	EAW0290J10A	CABLE ASM - MOTOR/CAMERA
18	1	EAW0290J43A	CABLE-ETHERNET CAT 6, 2 METERS

TEEMAS52B23 - V3300 - GEOLINER 770 SPARE PARTS

CAM-TAR
EAA0469J58A - NA



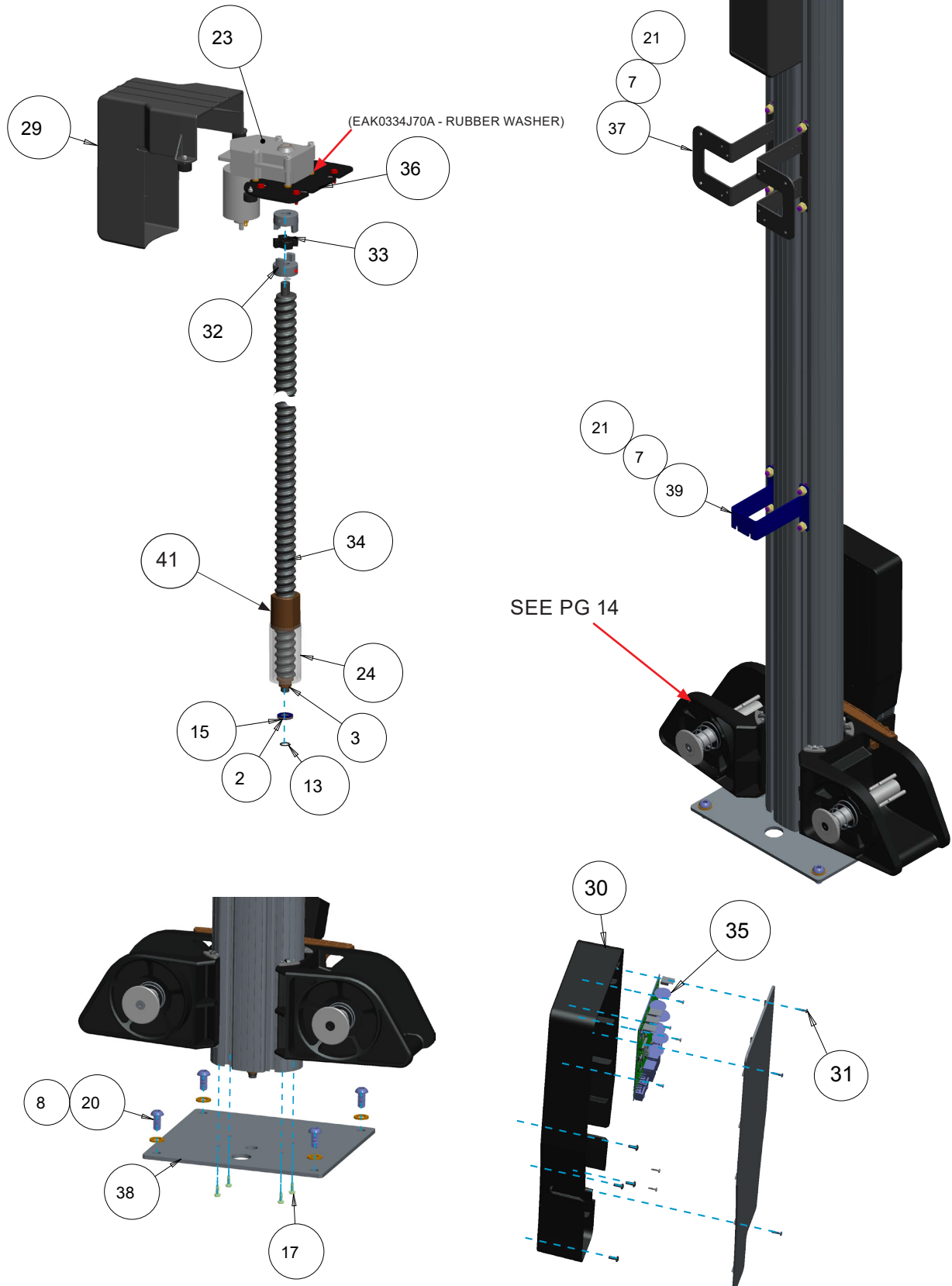
TEEWA552B23 - V3300 - GEOLINER 770 SPARE PARTS

SYM	REQ	PART NO	DESCRIPTION
1	3	1-03907A	SCREW-PHM, M3X4MM,NYLOK
2	3	1-04737A	NUT - LOCK, M3
3	1	1-1548	WASHER - M6, LOCK, EXT
4	1	1-16209	SCREW - SHC, M6 X 16MM
5	1	1-18441A	WASHER - #10
6	9	1-21904A	SCREW - PHM, M2.5 X 6MM, LOCKING
7	3	1-30584A	STANDOFF - HEX, M3X5MM LG
8	1	EAA0381J26A	TARGET SANDWICH, 6X8, "X"
9	1	EAK0350J66A	KIT – CORTEX ASSEMBLY (WIRED)
	1	EAC0116J82A	SKELETON - COMMON
11	1	EAK0334J24B	FSK-CAM/TAR BRACKET W/6X8 TARGET
12	1	EAP0280J74A	STROBE 80 LEDS
13	1	EAW0290J13A	CABLE - MAIN TO CAL/COLOR
NS	1	EAW0290J43A	CABLE - ETHERNET CAT 6, 2 METERS

TEEWMA52B23 - V3300 - GEOLINER 770 SPARE PARTS

TOWER

EAA0469J50A



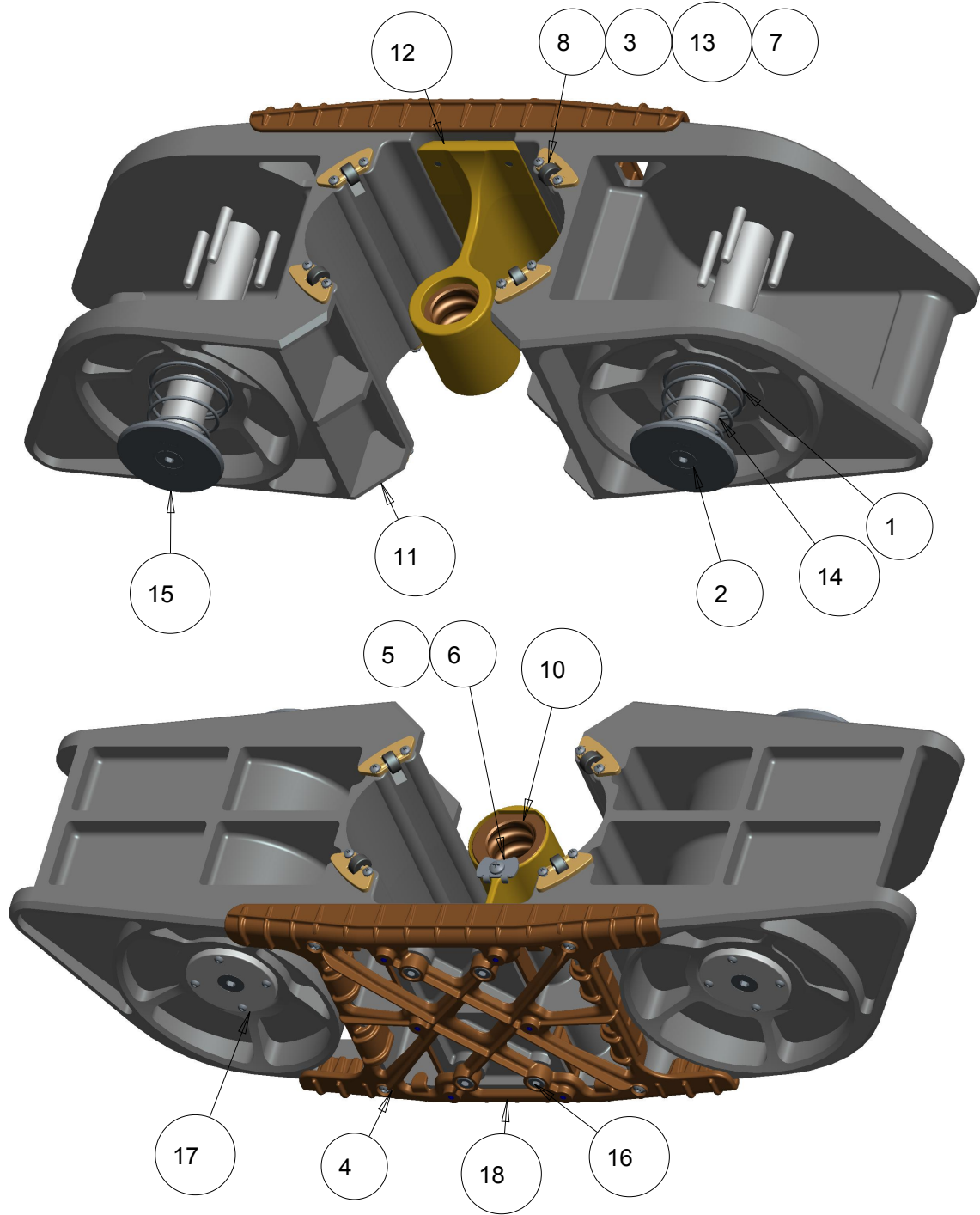
TEEWA52B23 - V3300 - GEOLINER 770 SPARE PARTS

SYM	REQ	PART NO	DESCRIPTION
1	4	1-01537A	NUT - LOCK, M3
2	1	1-09163A	BEARING - NEEDLE, THRUST
3	1	SEE ITEM 34	BUSHING - OILITE, 1/2", FLANGE
4			
5	2	1-11308A	WELD NUT - TAB, LOW PROFILE,#6-32
6	4	1-13204A2	SCREW - PHM, M4 X 10MM X 12MM
7	8	1-1337	NUT - ESNA, 5/16 -18
8	4	1-13641	WASHER - FLAT (12MM), BLK
9	8	1-15144A	WASHER - CUSHIONING, #10
10	2	1-16341A	WASHER - FLAT (3MM), 9MM OD
11	4	1-16523	SCREW - PHMS,M2.9X 9.5MM,SELF TAP,TYPE B
12	2	1-16726A	SCREW - THREAD CUTTING, (PLASTIC),#4-24 X 3/8"
13	1	SEE ITEM 34	RETAIN RING - 1/2 DIA. BEARING
14	3	1-23223A	SCREW - PHMS,M2.9 X 1 X 13MM,TYPE B
15	2	SEE ITEM 34	WASHER - THRUST 1/2"
16	4	1-37306A	SCREW - PHM, M3 X 16MM
17	8	1-48701A	SCREW - HHW, #10-24 X 5/8,
18	4	1-49410A	SCREW - SET, FLAT PT 1/4-20 X 1/4
19	4	1-64009A	SCREW, SHCS 10-24 X 2
20	4	1-64209A	SCR - BTN HD SOCKET, M12 X 25MM
21	8	1-705A	BOLT - CARRIAGE 5/16-18 X 3/4
22	4	1-7733	LOCK NUT - 10-24 X .375
23	1	EAK0334J21A	FSK - 3300 MOTOR / MOTOR PLATE
		• 1	MOTOR
		• 2	MOTOR MOUNT - V3300
		• 4	SCREW - SHCS #10-24 X 2"
		• 4	LOCKNUT - #10-24 X 0.375"
		• 8	WASHER - CUSHIONING, #10 (EAK0334J70A SET OF 8)
		• 2	RUBBER FOOT
		• 2	NUT - LOCKING,M3
		• 2	SCREW - PHM,M3 X 16MM
		• 2	COUPLING-HUB,1/2" SHAFT (ITEM 32)
		• 1	CUSHION - COUPLING (ITEM 33)
		• 4	SCREW - SET,FLAT PT 1/4"-20 X 1/4"
24	1	SEE ITEM 34	TUBING - PVC
25	4	8-08018A	RUBBER FOOT
26	1	EAA0429J03A	SLIDE CAR ALIGNER
27	1	EAA0429J05A	TRACK - POWER
28	1	EAC0116J60A	EXTRUSION, COLUMN
29	1	EAC0116J68A	MOTOR COVER
30	1	EAC0116J98A	MCB MOUNT
31	1	EAC0116J99A	MCB BACK COVER
32	2	EAK0334J20A	FSK - V3300 MOTOR COUPLING (COUPLING - HUB, 1/2" SHAFT)
33	1	EAK0334J20A	FSK - V3300 MOTOR COUPLING (CUSHION - COUPLING)
34	1	EAK0334J19A	FSK V3300 LEAD SCREW
		• 1	LEAD SCREW
		• 1	BUSHING - OILITE,1/2",FLANGE
		• 1	RETAINING RING-1/2" DIA. BEARING
		• 2	WASHER - THRUST 1/2"
		• 1	TUBING-PVC
		• 2	COUPLING - HUB,1/2" SHAFT
		• 1	CUSHION - COUPLING
		• 1	NUT - LEAD SCREW
		• 1	8-03629A LUBRICANT-SUPER LUBE,3OZ TUBE
35	1	EAP0280J90A	MOTOR CONTROL BOARD
NS	1	EAW0290J38A	CABLE ASM-MOTOR,MCB
36	1	EAS2146J88A	PLATE - TOP
37	1	EAS2186J30A	BRACKET-MONITOR,SPLIT
38	1	EAS2171J52A	ALIGNER/BASE MOUNTING PLATE
40	1	EAS2171J66A	PLATE - CABLE TRACK
41	1	SEE ITEM 34	NUT - LEAD SCREW
NS	1	EAW0290J41A	CABLE - ETHERNET CAT 6, 12FT.

TEEMAS52B23 - V3300 - GEOLINER 770 SPARE PARTS

SLIDE CAR

EAA0429J03A



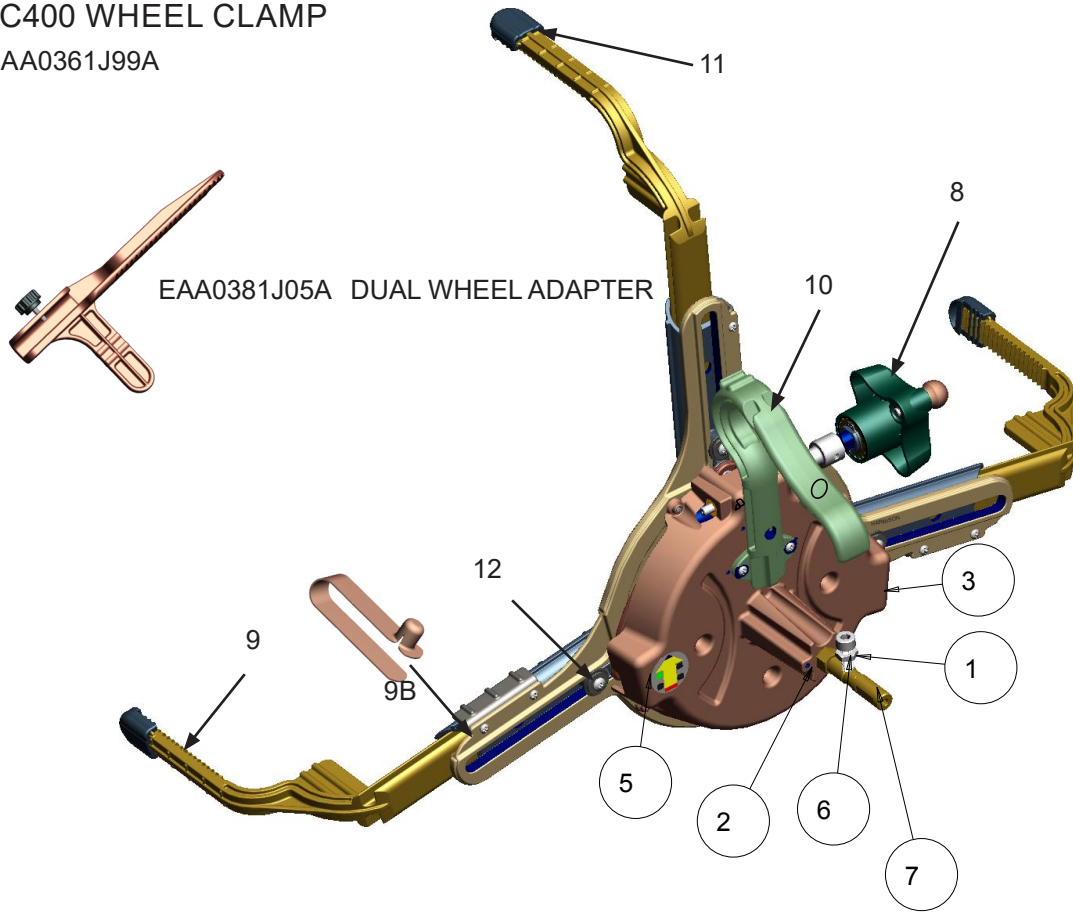
TEEWA552B23 - V3300 - GEOLINER 770 SPARE PARTS

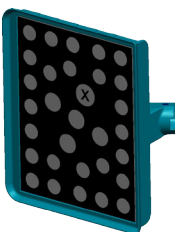
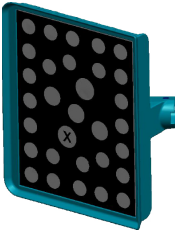
SYM	REQ	PART NO	DESCRIPTION
1	2	SEE ITEM 14	SPRING - CONICAL
2	4	SEE ITEM 14	FHCS - M8 X 1.25, 20MM
3	16	SEE ITEM 8	MSCR - PH PAN HD,M3X8MM W/LK WASHER
4	4	1-07424A	SCREW - PHH SLFTG-BLK(8-18X1/2)
5	1	1-32806A	SCREW - PHMS #10-24 X 3/8
6	1	EAS2171J59A	KEEPER - LEAD SCREW
7	8	SEE ITEM 8	BRACKET - ROLLER, V3300
8	1	EAK0334J22A	FSK-V3300 SLIDE CAR ROLLERS
		• 8	BRACKET-ROLLER,V3300
		• 8	ROLLER
		• 12	SCREW-PHM,M3X8,LK WASHER
		• 8	SHAFT-ROLLER
10	1	EAA0429J96A	NUT & LEAD SCREW
11	1	EAC0116J96A	SLIDE CAR - V3300
12	1	EAC0116J97A	ARM - LEAD SCREW
13	8	SEE ITEM 8	SHAFT - ROLLER
14	1	EAK0334J23A	FSK-V3300 LOCKING PINS
		• 4	FHCS - M8 X 1.25, 20MM
		• 2	SPRING - CONICAL
		• 2	DISC - ARM PIVOT
		• 2	LOCKING PIN ASM
		• 2	SHAFT - PIVOT
		• 1	SYNTHEIC GREASE
15	2	SEE ITEM 14	DISC - ARM PIVOT
16	4	1-64709A	SCREW-SKT HD LOW PROFILE,
17	2	SEE ITEM 14	LOCKING PIN ASM
18	1	EAC0123J10A	SKELETON - REINFORCING

TEEMAA52B23 - V3300 - GEOLINER 770 SPARE PARTS

AC400 WHEEL CLAMP

EAA0361J99A



	<p>PART NUMBER EAK0305J65A</p>	<p>DESCRIPTION XD TARGET ASM, REAR</p>
	<p>PART NUMBER EAA0395J13B EAM0088J15A*</p>	<p>DESCRIPTION XD TARGET ASM, FRONT BUSHING - AC400, SP</p>

TEEWA552B23 - V3300 - GEOLINER 770 SPARE PARTS

SYM	REQD	PART NO	DESCRIPTION
1	1	1-20733A	NUT - JAM, M8
2	2	1-62609A	SCREW - SHC, #6-32 X 1/2
3	1	EAA0361J99A	DNH - LEFT CLAMP ASM. DNH - RIGHT CLAMP ASM.
4	1	EAA0381J34A	XD TARGET ASM - FRONT
5	1	EAL0415J09A	DECAL - LEFT FRONT, INDICATOR
		EAL0415J10A	DECAL LEFT REAR
		EAL0415J11A	DECAL RIGHT REAR
		EAL0415J12A	DECAL RIGHT FRONT
6	1	EAM0007J19A	SCREW - SHC, M8 SPECIAL
7	1	EAM0088J15A	BUSHING - AC400, SP
8		EAA0381J12A	KIT - KNOB SERVICE
9		EAA0381J13A	BRACKET PAW - SVC KIT
9B		1-25752A	QUICK RELEASE BUTTON
10		EAC0105J78A	HANDLE
11		EAC0105J93A	AC400 BUMPER TIGER PAW (RUBBER TIP ONLY)
12		EAK0320J22A	PLASTIC WASHER REPAIR KIT (TSB WA-1185-1)

NOTE: There are NO Service items other than what is listed in this parts reference. At no time should a wheel clamp be disassembled in the field for repair.

ACCESSORIES

EAK0305J50A	KIT DUAL WHEEL ADAPTER (6)
EAA0381J05A	DUAL WHEEL ADAPTER (1)
EAK0222J83B	WHEELS OFF ADAPTER KIT

NOTE: Each kit below contains (4) clamps & (4) targets for a complete aligner

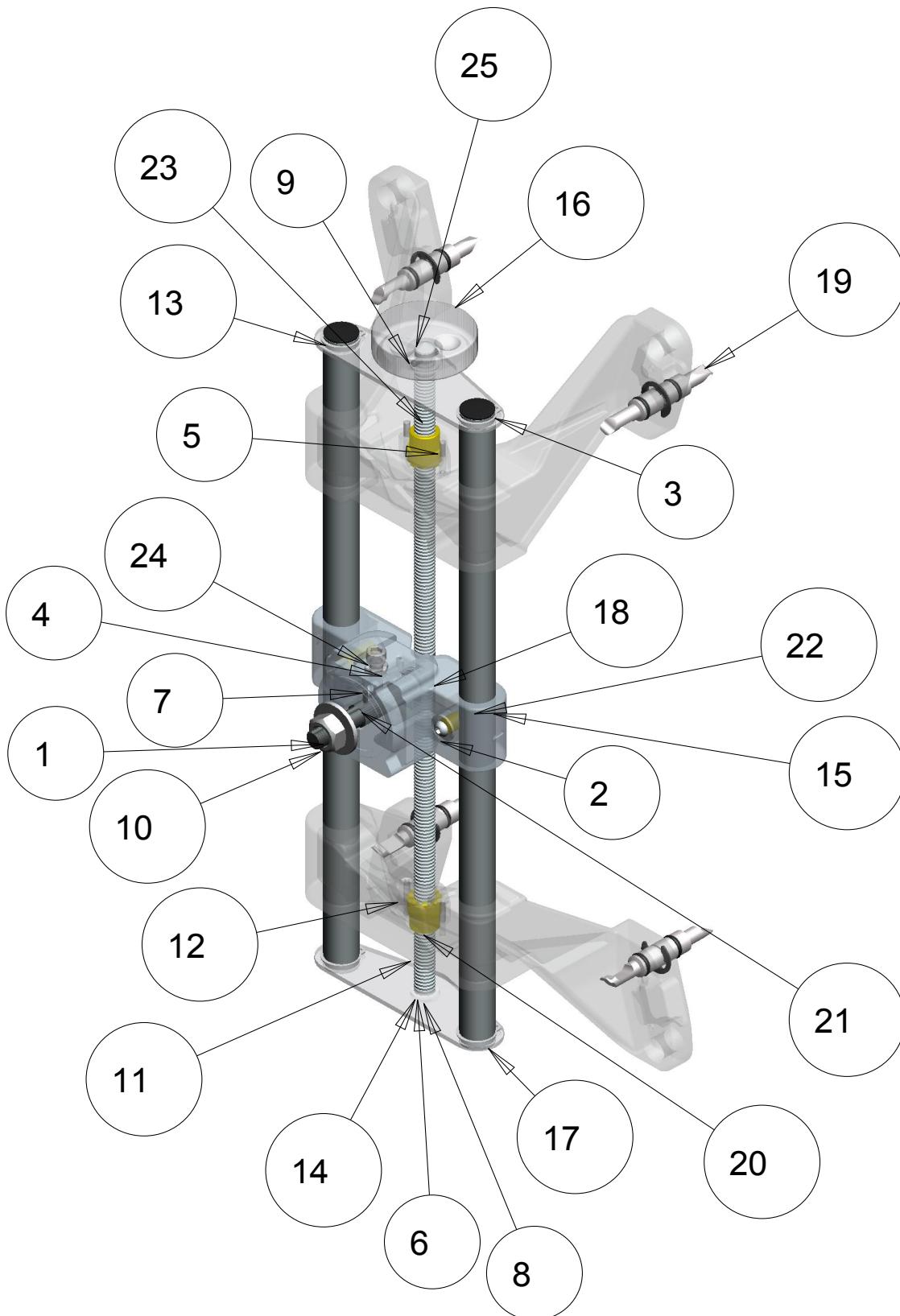
OPTIONAL CLAMP/TARGET KITS	
CLAMP	VALID FOR V3300
AC100	EAK0320J36A
AC200	EAK0320J34A
AC400	EAK0320J35A

TEEWMA52B23 - V3300 - GEOLINER 770 SPARE PARTS

AC100 / AC200 WHEEL CLAMP

EAK0268J56A - WHEEL CLAMP LONG (NA) AC200

EAK0268J78A - WHEEL CLAMP SHORT (EURO) AC100



TEEWA52B23 - V3300 - GEOLINER 770 SPARE PARTS

SYM	REQ	PART NO	DESCRIPTION
1	1	1-1041	WASHER - FLAT, 1/2
2	3	1-14144A	WASHER-FLAT, M6
3	8	1-17677A	RETAINING RING
4	1	1-20733A	NUT - JAM, M8
5	4	1-28103A	MSCR, PH FLH M4 X 25MM
6	1	1-3447	M6 LOCKWASHER, INTERNAL TOOTH
7	1	1-37410	SCREW - SET M3 X .5 X 10MM, CUP PT.
8	3	1-50309A	SCREW - BHCS M6X10MM
9	1	1-6152	PIN-STRAIGHT SLOTTED M4 X 20MM
10	1	1-933	NUT - HEX, 1/2-13
11	2	EAC0079J48A	BRACKET - LONG WHEEL CLAMP (FRONT)
12	2	EAC0079J50A	COVER - FEED SCREW LOCK
13	2	EAC0079J51A	PLUG - PLASTIC, 19MM HOLE
14	2	EAC0079J52A	WASHER - THRUST PLASTIC PLASTIC, 19MM HOLE
15	1	EAC0079J53A	CENTER SLIDE BRACKET
16	1	EAM0044J13A	KNOB HAND WHEEL
17	2	EAM0044J14A	TUBE - WHEEL CLAMP LONG (NA)
		EAM0044J64A	TUBE - WHEEL CLAMP SHORT (EURO)
18	1	EAM0044J16A	SCREW - DOUBLE LEAD LONG (NA)
	1	EAM0044J65A	SCREW - DOUBLE LEAD SHORT (EURO)
19	4	EAM0044J19C	GRABBER ASM SINGLE END
	4	EAM0044J19A	GRABBER ASM DUAL END
20	1	EAM0044J20A	BUSHING - THREADED BRASS RH
21	1	EAM0044J21A	CENTER STATIONARY
22	2	EAM0044J22A	PIN - TUBE LOCK
23	1	EAM0044J24A	BUSHING THREADED BRASS LH
		EAM0044J20A	BUSHING THREADED BRASS RH
24	1	EAM0044J47A	SCREW - SHCS M8X30 FULL THD
25	2	EAS2084J29A	PLATE - RETAINER

PART NUMBER	DESCRIPTION
1-08584A	CORD – BUNGEE, BLACK 16"
EAK0268J41D	GRABBER KIT, SINGLE END
EAK0268J41B	GRABBER KIT – DUAL END
EAC0105J35A	COVER-RUBBER, V3D

WHEEL CLAMP EXTENSION EAK0268J62A

TEEMAS52B23 - V3300 - GEOLINER 770 SPARE PARTS

BLANK PAGE

TEEWA552B23 - V3300 - GEOLINER 770 SPARE PARTS

BLANK PAGE

Snap-on
309 Exchange Ave.
Conway, AR 72032
501-450-1500