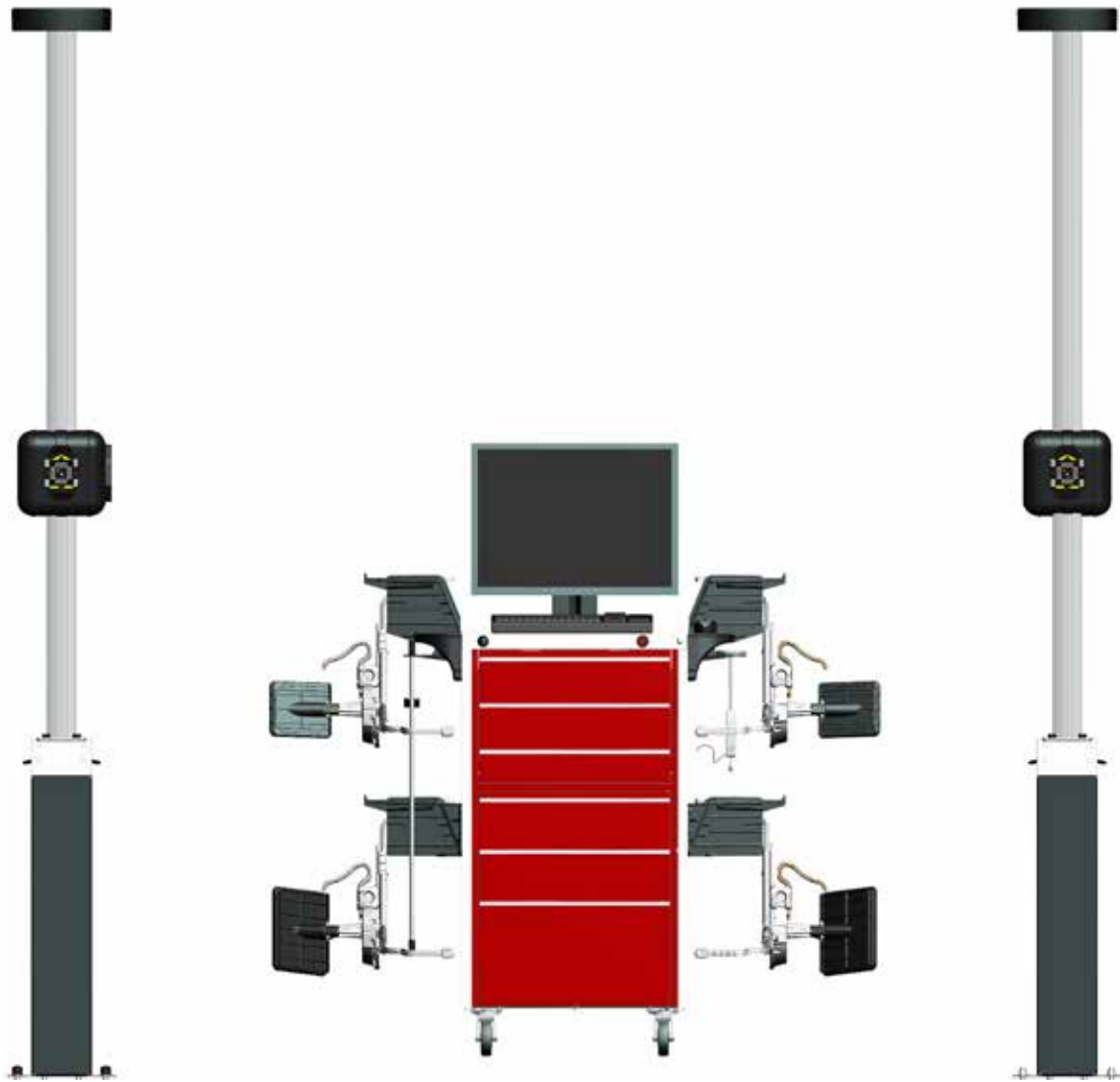


WHEEL ALIGNER



Parts Manual

3 CAMERA IMAGING ALIGNER, WIRELESS V3400 - GEOLINER 790
WIRELESS AUDIT SYSTEM V3450 - GEOLINER 795
2 CAMERA IMAGING ALIGNER V2300/V2200 - 670/650

All information contained or disclosed in this document is considered confidential and proprietary by Snap-on. All manufacturing, use, reproduction, and sales rights are reserved by Snap-on and the information contained herein shall not be used in whole or in part without the express written consent of Snap-on.

Table of Contents

BOM V3400 / GEO 790 - PREMIUM.....	2
BOM V2300 / GEO 670 - HIGH END	3
BOM V2200 / GEO 650 - MID LEVEL	4
BOM V3450 / GEO 795	6
PC ASSEMBLY.....	7
CABINET (PREMIUM END).....	8
CABINET (HIGH END).....	10
CABINET (MED END).....	12
EMBEDDED PC	14
KIT USB RADIO (V3400 / GEO 790)	16
POWER BOX	17
CAMERA PODS (V3400 / GEO 790)	18
CAM/CAM ASSEMBLY (V3400/50 - GEO 790/795).....	20
CAM/TARGET ASSEMBLY (V3400/50 - GEO 790/795)	20
POD CAR	22
MOTOR / GEAR ASSEMBLY	23
AUDIT PODS (V3450 / GEO 795).....	24
AUDIT PODS (V3450 / GEO 795).....	25
AUDIT TOP ASSEMBLYH (V3450 / GEO 795)	26
TOWER ASSY' KIOSK, PC (V3450 / GEO 795))	27
PC ASSEMBLY GENERIC	28
BASE TOWER.....	30
ELECTRICAL MOUNT PLATE ASSY	31
BASE TOWER ASSY	32
CAMERA BEAM ASSEMBLY V2300 / GEO670	34
SUPPORT ASSEMBLY MOVEABLE BEAM	36
AC400 WHEEL CLAMP.....	40
WHEEL CLAMP.....	42
KIT - V3450 / GEO 795 DOCKING BASE.....	44
KIOSK PORTABLE BASE	45
PORTABLE AC400 CLAMP STAND.....	46

BOM 3400 / GEO 790 - PREMIUM

PART NUMBER	DESCRIPTION
EAK0268J05A	PRINTER KIT - USB
88931	POWER CORD / LABEL ASM
EAK0277J82A	LITERATURE PACK GENERIC
EAL0343J76A	LABEL - SERIAL
96	DEPRESS OR ASSY. PEDAL
55502	STEERING WHEEL HOLDER
EAK0289J69B	KIT, 27" LCD (FOR EEWA553B/HP- EEWA753B/HP)
EAK0289J61B	KIT, 24" LCD
EAC0090J82A	WHEEL CHOCK RUBBER
5403	INSTALLATION REGISTRATION CERTIFICATE
EAL0392J89A	LABEL - CUSTOMER SERVICE JBC
3-40026C	SOFTWARE - KEY DISK JBC 3.4
3-20726A	SOFTWARE - KEY DISC, PLATINUM
3-40126C	SOFTWARE - KEY DISK, HOF
EAS2164V11A	SUPPORT BRACKET MONITOR
1-16006A	SCREW - M5 X 12 MM PH BLK
1103959000	WASHER - FLAT M5
EAK0305J63A	KIT - V3400 DECALS
EAK0305J62A	KIT - HOF DECALS
EAK0256J71A	MEASURING KIT RIDE HEIGHT
TEEWA553B	INSTALLATION INSTRUCTIONS
ZEEWA546G4	OPERATOR'S MANUAL
EAK0305J59A	KIT - AC400, FRONT SHIPMT, PAIR
EAK0305J60A	KIT - AC400, REAR SHIPMT, PAIR
EAK0305J66A	KIT - AC200, XD, FRONT RH & LH
EAK0305J67A	KIT - AC200, XD, REAR RH & LH
EAA0420J06A	CABINET, COMPLETE, PREM V3400
EAA0420J08A	CABINET, COMPLETE, SUPER 690
EAA0381J52B	V3400 - 790 TOP LEVEL ASM.
5-2345	CABLE TIE
5-06945A	MOUNT, CABLE TIE
88690	CONTROL - REMOTE, JBC ASSY

TEEWA553B3 - V3400 - 790 / V3450 - 795 / V2300 - 670 SPARE PARTS

BOM V2300 / GEO 670 - SUPER

PART NUMBER	D ESCRIPTION
EAK0289J69A	KIT-27 IN LCD
EAK0289J61A	KIT- MONITOR 22 IN LCD W/CABLE
EAA0420J05A	CABINET, COMPLETE, SUPER V2300 (EEWA545GP)
EAA0420J07A	CABINET, COMPLETE, SUPER 670 (EEWA715GP)
EAA0395J95A	CABINET, COMPLETE, V2300 (EEWA545G)
EAA0395J98A	CABINET, COMPLETE, V2300 (EEWA715G)
EAA0395J05A	BEAM ASSY-CAMERA
EAL0392J89A	LABEL-CUST SVC JBC
EAK0277J82A	LIT PACK-GENERIC
EAK0320J25A	KIT-AC200,XD FRONT,6X8
EAK0305J67A	KIT AC200 XD REAR RH LH
EAK0320J26A	KIT-AC400,FRONT SHIPMT,6X8
EAK0305J60A	KIT-AC400,REAR SHIPMT,PAIR
EAA0395J54A	BRANDING PLATE ASM-JBC
00088931000	POWER CORD/LABEL ASS'Y 115V
00055502000	CLAMP ASS'Y-WHEEL STEERING
EAK0320J05A	KIT-V2300 DECALS
5403	FORM-IWR
00000096000	DEPRESSOR ASSY-PEDAL
EAC0090J82A	WHEEL CHOCK
3-60926A	SFTWR-KEY DISK GOLD
3-40026C	SF TWR-KEY DISK,JBC
3-40126C	SOFTWA RE - KEY DISK, HOF
EAL0343J76A	LABEL-ELECTRICAL/SERIAL
TEEWA546A1	INSTL INSTR-SHORT BAY M & S
ZEEWA546G4	OPMAN-G4PRO IMAGE ALIGN JBC
EAK0268J05A	PRINTER KIT
EAM0073J56A	TRIM-CAM BEAM JBC
EAS2164V11A	SUPPORT BRACKET MONITOR
1-16006A	SCREW-M5 X 12MM PAN HD BLK
01103959000	WASHER-FLAT
5-2345	TIE-CABLE 4 BLACK
5-06945A	MOUNT-CABLE TIE BLACK
00088690000	REMOTE CONTROL V97

TEEWA553B3 - V3400 - 790 / V3450 - 795 / V2300 - 670 SPARE PARTS

BOM V2300 / GEO 670 - HIGH

PART NUMBER	DESCRIPTION
EAK0268J05A	PRINTER KIT - USB
88931	POWER CORD / LABEL ASM
EAK0277J82A	LITERATURE PACK GENERIC
EAL0343J76A	LABEL - SERIAL
96	DEPRESS OR ASSY. PEDAL
55502	STEERING WHEEL HOLDER
EAK0289J61B	KIT, 24" LCD
EAK0320J56A	HANGER BRACKETS-MULTI CLAMP
86333	ENVELOPE PADDDED 6X10
EAC0090J82A	WHEEL CHOCK RUBBER
5403	INSTALLATION REGISTRATI ON CERTIFICATE
EAL0392J89A	LABEL - CUSTOMER SERVICE JBC
3-40026C	SOFTWARE - KEY DISK JBC 3.4
3-20726A	SOFTWARE - KEY DISC, PLATINUM
EAS2164V11A	SUPPORT BRACKET MONITOR
1-16006A	SCREW - M5 X 12 MM PH BLK
1103959000	WASHER - FLAT M5
EAK0305J63A	KIT - V3400 DECALS
EAK0256J71A	MEASURING KIT RIDE HEIGHT
TEEWA553B	INSTALLATI ON INSTRUCTIONS
ZEEWA546G4	OPERAT OR'S MANUAL
EAK0305J66A	KIT - AC200, XD, FRONT RH & LH
EAK0305J67A	KIT - AC200, XD, REAR RH & LH
EAK0305J59A	KIT - AC400, FRONT SHIPMT, PAIR
EAK0305J60A	KIT - AC400, REAR SHIPMT, PAIR
EAA0395J96A	CABINET, COMPLETE, HE V3400
EAA0395J98A	CABINET, COMPLETE, GEO670
EAA0381J52B	V3400 / 670 TOP LEVEL ASM.
5-2345	CABLE TIE
5-06945A	MOUNT, CABLE TIE
88690	CONTROL - REMOTE, JBC ASSY

TEEWA553B3 - V3400 - 790 / V3450 - 795 / V2300 - 670 SPARE PARTS

BOM V2200 / GEO 650 - MID LEVEL

PART NUMBER	DESCRIPTION
EAK0289J61A	KIT – 22" LCD MONITOR
EAA0395J94A	CABINET, COMPLETE, V2200
EAA0395J97A	CABINET BLUE
EAA0395J05A	BEAM ASSY-V2300 CAMERA
EAL0392J89A	LABEL – CUSTOMER SVC. JBC
EAK0277J82A	LIT PACK – GENERIC
EAK0320J25A	KIT-AC200,XD FRONT,6X8
EAK0305J67A	KIT-AC200,XD,REAR RH & LH
EAA0395J54A	BRANDING PLATE ASM-JBC
EAA0395J55A	BRANDING PLATE ASM-HOF
88931	POW ER COR D/LABEL ASM., 115V
55502	CLAMP ASM – WHEEL STEERING
EAK0320J51A	KIT-V2200 DECALS
EAK0320J52A	KIT-GEOLINER 650XD DECALS
5403	INSTALLATION REGISTRY ,CERTIFICATE
96	DEPRESSOR ASM - BRAKE
EAC0090J82A	WHEEL CHOCK, RUBBER
3-40026C	SOF TWARE – KEY DISK, JBC
3-40126C	SOF TWARE – KEY DISK, HOF
EAL0343J76A	LABEL, SERIAL
TEEWA546A1	INSTALLATION INSTRUCTIONS
ZEEWA546G4	OPERATOR'S MANUAL
EAK0268J05A	PRINTER KIT - USB
EAK0320J56A	HANGER BRACKETS-MULTI CLAMP
EAS2164V11A	SUPPORT BRACKET MONITOR
1-16006A	SCREW – M5X12MM PH BLK
1103959000	WASHER – FLAT M5
5-2345	CABLE TIE
5-06945A	MOUNT, CABLE TIE

TEEWAS53B3 - V3400 - 790 / V3450 - 795 / V2300 - 670 SPARE PARTS

BOM V3450 / GEO 795

PART NUMBER	DESCRIPTION
EAK0289J86B	KIT, VIN READER, 2D, ALIGNER
EAK0268J05A	PRINTER KIT - USB
88931	POWER CORD/LABEL ASS'Y 115V
EAK0277J82A	LIT PACK - GENERIC
EAA0361J67A	TOW ER ASM. KIO SK, PC
EAA0381J93A	WIRELESS UHR-AUDIT, TOP ASM
EAA0361J68B	AUDIT AC400 - POST HOLDER
EAK0305J59B	KIT-AC400, FRONT, AUDIT, PAIR
EAK0305J60B	KIT-AC400, REAR, AUDIT, PAIR
EAK0289J61B	KIT - MONITOR-24", WIDE SCN LCD W/CABLE
EAK0289J77D	KIT - PC/SW GENERIC, IV (PC IN A BOX)
3-40026C	SOFTWARE - KEY DISK, JBC
3-40126C	SOFTWARE - KEY DISK, HOFMANN
3-73426A	SOFTWARE - KEY DISK, AUD
EAL0392J89A	LABEL - CUSTOMER SERVICE, JBC
EAK0289J78A	KIT - MOUSE/KEY BOARD
ZEEWA550AQC	OP . MANUAL, AUDIT AC400
5403	INST'L REGIST, CERTIFICATE
TEEWA553F	INSTALL INSTRUCTIONS
ZEEWA546G4	OPERATORS MANUAL JBC
ZEEWA714G4	OPERATORS MANUAL HOFMANN
EAL0343J76A	ELECTRICAL SERIAL LABEL
EAM0023J86B	COVER - KIOSK
1-23223A	SCREW - TAP, PHM, M2.9 X 13 MM
86164	LABEL - WARNING, FUSE RATING
111245	LABEL - CAUTION, ELECTRICAL
162655	CABLE TIE
5-06945A	MOUNT - CABLE TIE
EAK0305J88A	DECAL KIT - V3450
EAK0305J89A	DECAL KIT - GEOLINER 795
2-02639A	RADIO-BLUETOOTH CLASS 1 USB

TEEWA553B3 - V3400 - 790 / V3450 - 795 / V2300 - 670 SPARE PARTS

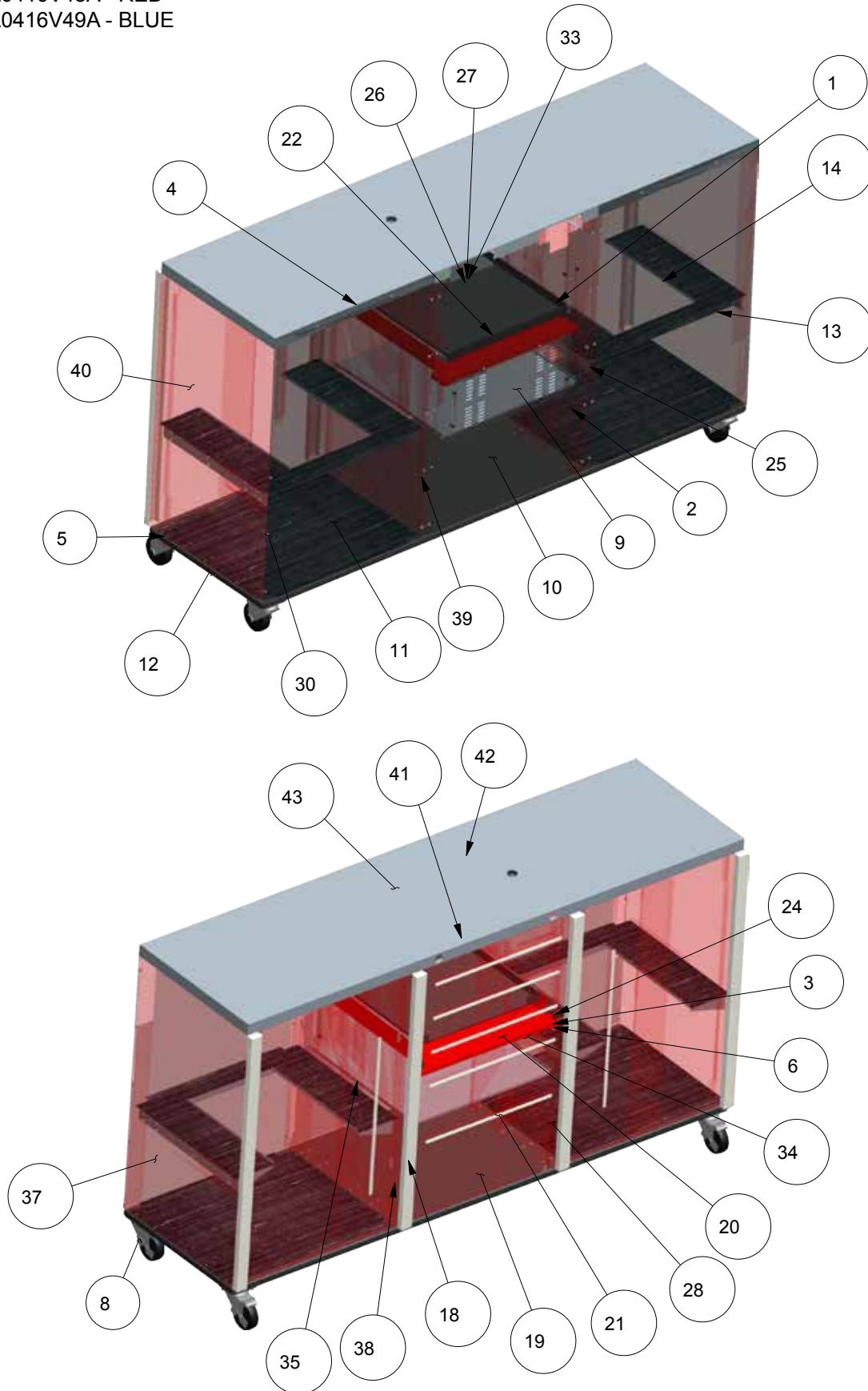
PC ASSEMBLY

PART NUMBER	DESCRIPTION
3-02806K1	PC, DELL OPTIPLEX, 3020, SFF, SERVICE
3-61526ZV1	S/W ASSY – PRO 42, V7.5.6
3-61626WV1	PRO42 ALIGNMENT DATABASE
3-72726E	SOFTWARE-SPECS KEY CODE
5-10426A2	TAPE-LOOP VELCRO # 1000
5-10426A1	TAPE-HOOK VELCRO # 88
T3-02806CB	INSTRUCTIONS –WINDOWS 7 SET-UP INST.
3-61726C	MITCHELL TSB DATA, V3.0
3-61926C	ACTIVATION KEY, MITCHELL TSB
3-61826C	MITCHELL TPM S DATA, V3.0
3-62026C	ACTIVATION KEY, MITCHELL TPMS
88716	DECAL-KEY BOARD, FUNCTION KEYS

TEEWAS53B3 - V3400 - 790 / V3450 - 795 / V2300 - 670 SPARE PARTS

CABINET (PREMIUM END)

EAA0416V48A - RED
EAA0416V49A - BLUE



TEEWA553B3 - V3400 - 790 / V3450 - 795 / V2300 - 670 SPARE PARTS

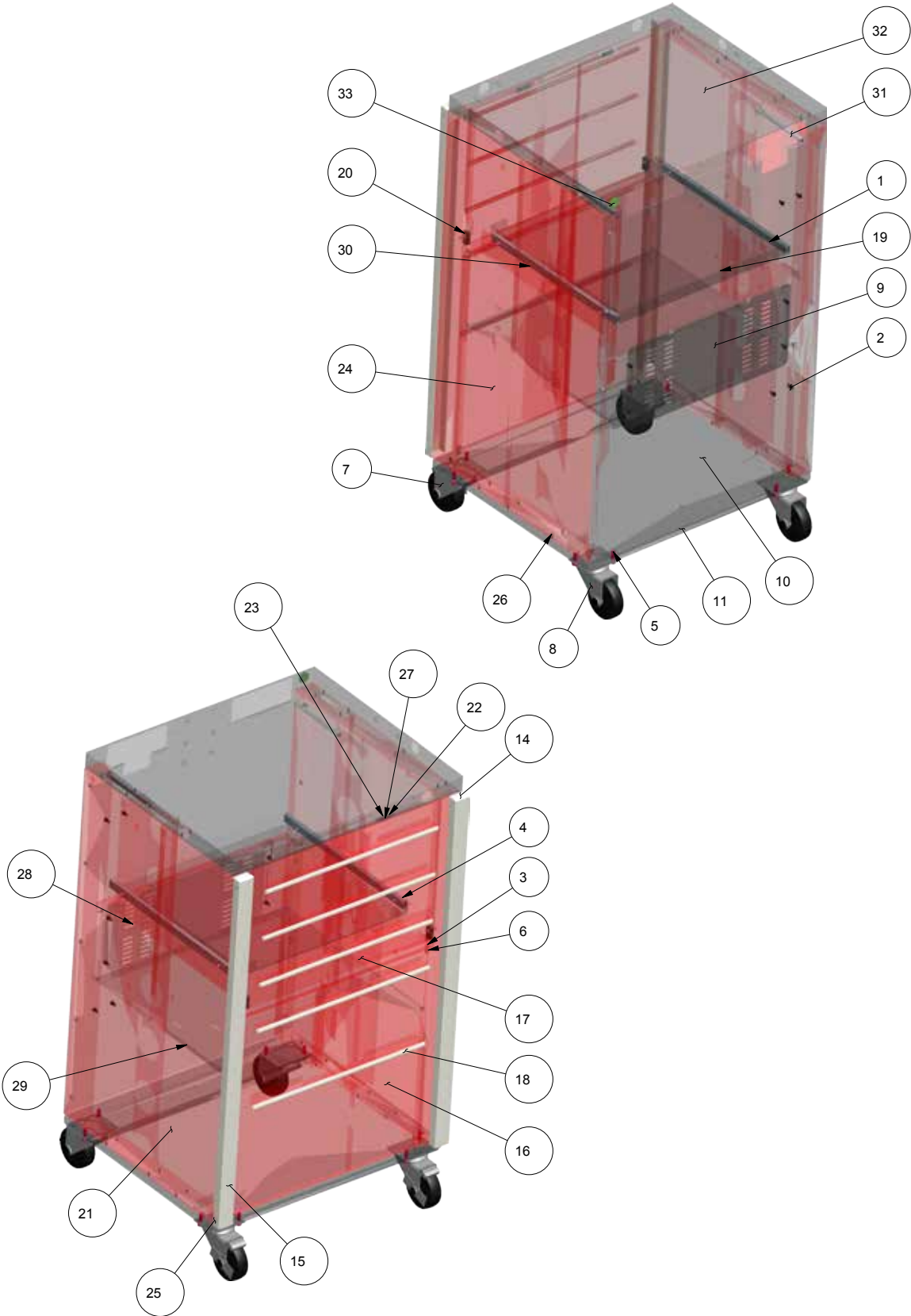
SYM	REQ	PART NO	DESCRIPTION
1	4	1-13606A	SCREW,PH,M4X6MM,ZN
2	8	1-16006A	SCREW,PH,M5X12MM,BLK
3	4	1-25306A	SCREW,PHMS,M5X20MM
4	4	1-38909A	SCREW,BHCS,M4X12MM
5	8	1-55501A	SCREW, HEX 5/16"-12X1"
6	4	1-5665	BUSHING - SHOULDER
7	1	8-08116A	BUSHING-SNAP
8	4	8-33939A	CASTER-SWIVEL 5" WITH BRAKE
9	1	EAS2164V09A	BACK DOOR,ME-HE-SHE
10	1	EAA0416V07A	BACK PLATE ASSY,ME-HE-SHE
11	2	EAS2164V10A	BACK PLATE, SIDE, SHE
12	1	EAA0416V24A	BASE ASSY CABINET SHE
13	2	EAS2164V03A	BRACKET CLAMP STORAGE,BACK
14	4	EAS2164V55A	BRACKET, CLAMP STORAGE, SIDE
15	4	5-03945B	CABLE TIE MOUNT,1"X1",BLACK
16	4	4500-0029	CABLE TIE,BLACK
17	4	EAC0116J56A	CAP,CORNER TRIM
18	4	EAC0121V06A	CORNER TRIM,ARC SHAPE
19	1	EAA0416V30A	DOOR ASSY,PC,RED
	1	EAA0416V26A	DOOR ASSY,PC,BLUE
20	1	EAA0416V29A	DOOR ASSY,PRINTER,RED
	1	EAA0416V25A	DOOR ASSY,PRINTER,BLUE
21	5	EAC0121V05A	DOOR TRIM, FRONT
22	1	EAA0416V14A	DRAWER ASSY,PRINTER
23	2	10-34180A	DRAWER FRONT TRIM,CURVED
24	2	EAC0121V09A	INSERT,PRINTER DOOR
25	1	EAA0416V19A	LEFT PANEL ASSY,RED
26	8	8-03642ACN	MAGNET,30X10X3MM
27	8	1-11233	NUT,HEX,M3
28	1	EAA0416V21A	RIGHT PANEL ASSY,RED
29	8	1-17358	RIVET,AL,4MM,SILVER
30	166	1-15158A	RIVET,STEEL,4.8MM,BLK
31	2	EAC0121V11A	RUBBER MAT,LOWER
32	2	EAC0121V10A	RUBBER MAT,UPPER
33	8	1-11103CN	SCREW,FH,M3X10MM
34	1	EAA0416V15A	SHELF ASSY,PRINTER,RED
35	1	EAS2164V16A	SHELF,PC,ME-HE-SHE
36	2	EAA0416V31A	SIDE DOOR ASSY,SHE,RED
	1	EAA0416V32A	SIDE DOOR ASSY,SHE BLUE
37	1	EAA0416V09A	SIDE PANEL ASSY LL RED
	1	EAA0416V11A	SIDE PANEL ASSY,LL,BLUE
38	1	EAA0416V10A	SIDE PANEL ASSY LR RED
	1	EAA0416V12A	SIDE PANEL ASSY,LR,BLUE
39	1	EAA0416V28A	SIDE PANEL ASSY RL RED
	1	EAA0416V34A	SIDE PANEL ASSY,RL,BLUE
	1	EAA0416V27A	SIDE PANEL ASSY RR RED
	1	EAA0416V33A	SIDE PANEL ASSY,RR,BLUE
41	2	8-06488A	SLIDE TRAIL
42	2	EAS2164V07A	SUPPORT BRACKET,PC-IN-BOX
43	1	EAA0416V02A	TOP PANEL ASSY CABINET SHE
46	1	8-09816A	GROMMET-BLACK.25 ID X 1.00 OD

ITEMS BELOW NOT SHOWN

PART NUMBER	DESCRIPTION
EAA0395J67A	PC-IN-BOX, PRO42, WIRELESS
1-21484A	SCREW, 10-32X1", SLOTTED GREEN GROUND
EAW0235J36A	CABLE, 12" GROUND
1-13633A	NUT, BARB, EXT. WASHER, M5
EAP0238J54A	PCB ASSY., USB, IR
1-04084A	STANDOFF - NYLON
1-13533A	NUT - BARB, M4
EAL0343J22A	WINDOW-REMOTE
8-08116A	BUSHING-SNAP 16/16ID,29/64LG
EAK0305J36A	KIT - USB RADIO - CAB
2-02639A	BLUETOOTH RADIO - USB
2-09033A	CLIP, CABLE, 0.2-0.3" DIA CABLE
1-16006A	SCREW - M5 X 12 MM PH BLK

TEEWAS5383 - V3400 - 790 / V3450 - 795 / V2300 - 670 SPARE PARTS

CABINET (HIGH END)
 EAA0416V46A - RED
 EAA0416V47A - BLUE



TEEWA553B3 - V3400 - 790 / V3450 - 795 / V2300 - 670 SPARE PARTS

SYM	REQD	PART NO	DESCRIPTION
1	4	1-13606A	SCREW,PH,M4X6MM,ZN
2	8	1-16006A	SCREW,PH,M5X12MM,BLK
3	4	1-25306A	SCREW,PHMS,M5X20MM
4	4	1-38909A	SCREW,BHCS,M4X12MM
5	8	1-55501A	SCREW, HEX 5/16"-12X1"
6	4	1-5665	BUSHING - SHOULDER
7	2	8-33939A	CASTER-SWIVEL 5" WITH BRAKE
8	2	8-34039A	CASTER-RIGID 5"
9	1	EAS2164V09A	BACK DOOR,ME-HE-SHE
10	1	EAA0416V07A	BACK PLATE ASSY,ME-HE-SHE
11	1	EAA0416V23A	BASE ASSY,ME-HE
12	4	5-03945B	CABLE TIE MOUNT,1"X1",BLACK
13	4	4500-0029	CABLE TIE,BLACK
14	2	EAC0116J56A	CAP,CORNER TRIM
15	2	EAC0121V06A	CORNER TRIM,ARC SHAPE
16	1	EAA0416V30A	DOOR ASSY,PC,RED
		EAA0416V26A	DOOR ASSY,PC,BLUE
17	1	EAA0416V29A	DOOR ASSY,PRINTER,RED
		EAA0416V25A	DOOR ASSY,PRINTER,BLUE
18	5	EAC0121V05A	DOOR TRIM, FRONT
19	1	EAA0416V14A	DRAWER ASSY,PRINTER
20	2	EAC0121V09A	INSERT,PRINTER DOOR
21	1	EAA0416V19A	LEFT PANEL ASSY,RED
		EAA0416V39A	LEFT PANEL ASSY,BLUE
22	4	8-03642ACN	MAGNET,30X10X3MM
23	4	1-11233	NUT,HEX,M3
24	1	EAA0416V21A	RIGHT PANEL ASSY,RED
		EAA0416V40A	RIGHT PANEL ASSY,BLUE
25	4	1-17358	RIVET,AL,4MM,SILVER
26	62	1-15158A	RIVET,STEEL,4.8MM,BLK
27	4	1-11103CN	SCREW,FH,M3X10MM
28	1	EAA0416V15A	SHELF ASSY,PRINTER,RED
29	1	EAS2164V16A	SHELF,PC,ME-HE-SHE
30	2	8-06488A	SLIDE TRAIL
31	2	EAS2164V07A	SUPPORT BRACKET,PC-IN-BOX
32	1	EAA0416V01A	TOP PANEL ASSY,ME-HE
33	1	8-09816A	GROMMET-BLACK.25 ID X 1.00 OD

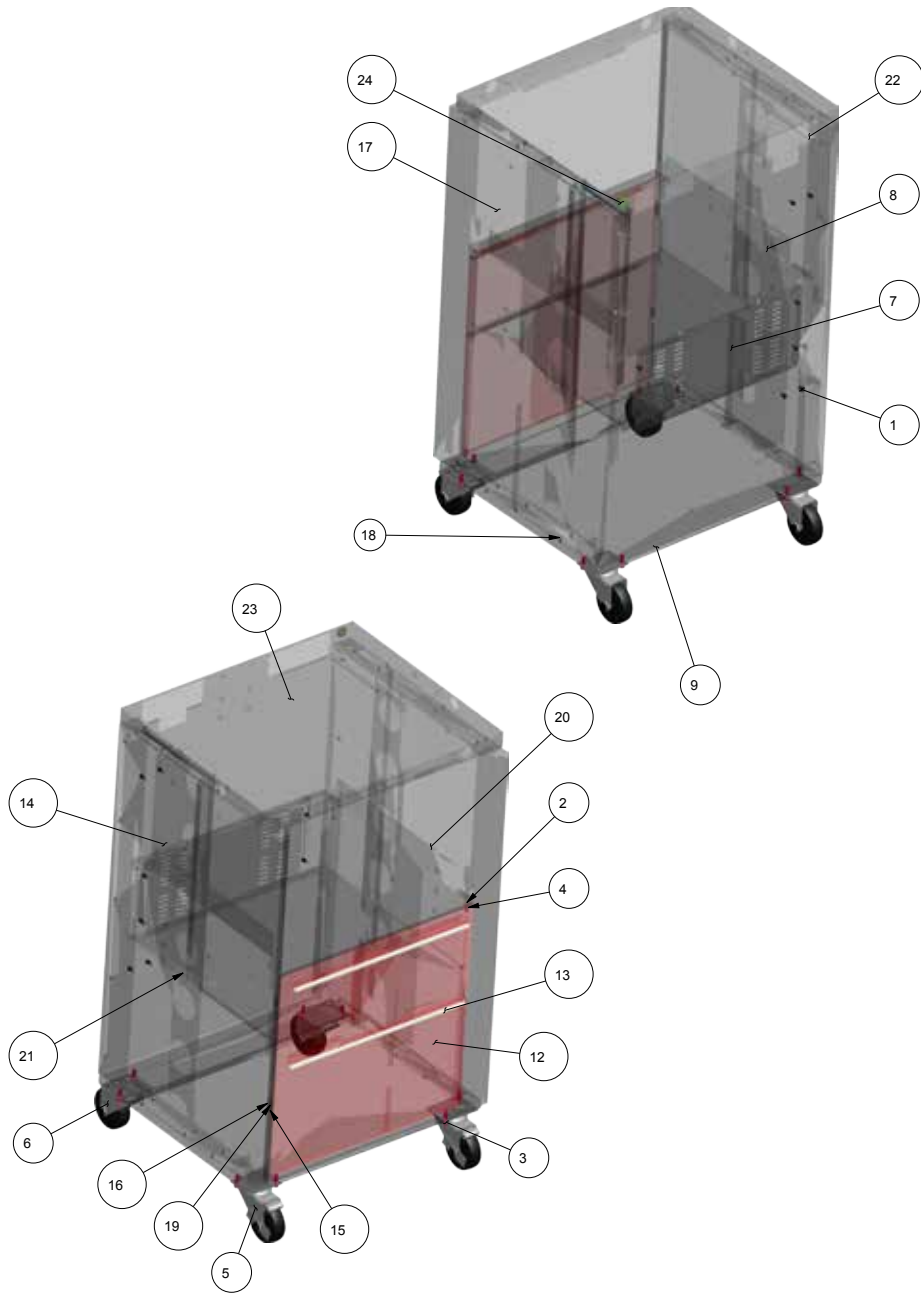
ITEMS BELOW NOT SHOWN

PART NUMBER	DESCRIPTION
EAA0395J67AU	PC-IN-BOX, PRO42, WIRELESS
1-21484A	SCREW, 10-32X1", SLOTTED GREEN GROUND
EAW0235J36A	CABLE, 12" GROUND
1-13633A	NUT, BARB, EXT. WASHER, M5
EAP0238J54A	PCB ASSY., USB, IR
1-04084A	STANDOFF - NYLON
1-13533A	NUT - BARB, M4
EAL0343J22A	WINDOW-REMOTE
8-08116A	BUSHING-SNAP 16/16ID,29/64LG
EAK0305J36A	KIT - USB RADIO - CAB
2-02639A	BLUETOOTH RADIO - USB
2-09033A	CLIP, CABLE, 0.2-0.3" DIA CABLE

TEEWAS5383 - V3400 - 790 / V3450 - 795 / V2300 - 670 SPARE PARTS

CABINET (MED)

EAA0416V44A - RED
EAA0416V45A - BLUE



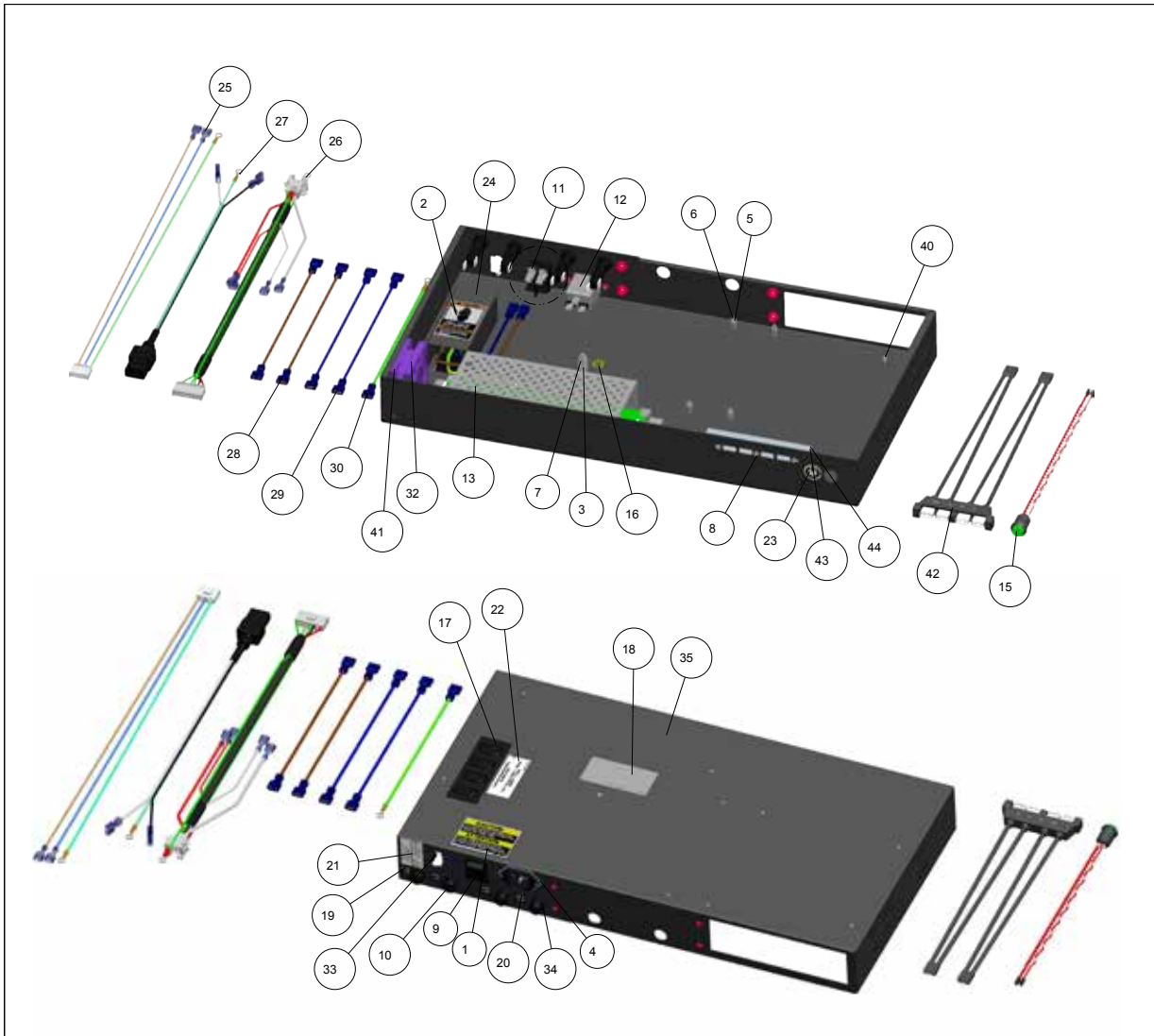
TEEWA553B3 - V3400 - 790 / V3450 - 795 / V2300 - 670 SPARE PARTS

SYM	REQD	PART NO	DESCRIPTION
1	8	1-16006A	SCREW,PH,M5X12MM,BLK
2	2	1-25306A	SCREW,PHMS,M5X20MM
3	8	1-55501A	SCREW, HEX 5/16"-12X1"
4	2	1-5665	BUSHING - SHOULDER
5	2	8-33739A	CASTER-SWIVEL 4" WITH BRAKE
6	2	8-33839A	CASTER-RIGID 4"
7	1	EAS2164V09A	BACK DOOR,ME-HE-SHE
8	1	EAA0416V07A	BACK PLATE ASSY,ME-HE-SHE
9	1	EAA0416V23A	BASE ASSY,ME-HE
10	4	5-03945B	CABLE TIE MOUNT,1"X1",BLACK
11	4	4500-0029	CABLE TIE,BLACK
12	1	EAA0416V30A	DOOR ASSY,PC,RED
		EAA0416V26A	DOOR ASSY,PC,BLUE
13	2	EAC0121V05A	DOOR TRIM, FRONT
14	1	EAA0416V18A	LEFT PANEL ASSY,BLACK
15	2	8-03642ACN	MAGNET,30X10X3MM
16	2	1-11233	NUT,HEX,M3
17	1	EAA0416V20A	RIGHT PANEL ASSY,BLACK
18	62	1-15158A	RIVET,STEEL,4.8MM,BLK
19	2	1-11103CN	SCREW,FH,M3X10MM
20	1	EAA0416V08A	SHELF ASSY,PRINTER,BLACK
21	1	EAS2164V16A	SHELF,PC,ME-HE-SHE
22	2	EAS2164V07A	SUPPORT BRACKET,PC-IN-BOX
23	1	EAA0416V01A	TOP PANEL ASSY,ME-HE
24	1	8-09816A	GROMMET-BLACK.25 ID X 1.00 OD

TEEWAS53B3 - V3400 - 790 / V3450 - 795 / V2300 - 670 SPARE PARTS

EMBEDDED PC

EAA0395J67AU (3 CAMERA SERVICE EMBEDDED PC)
EAA0395J66AU (2 CAMERA SERVICE EMBEDDED PC)



NOTE: ENTIRE EMBEDDED PC MUST BE REPLACED. PARTS SHOWN CAN BE REPLACED INDIVIDUALLY.

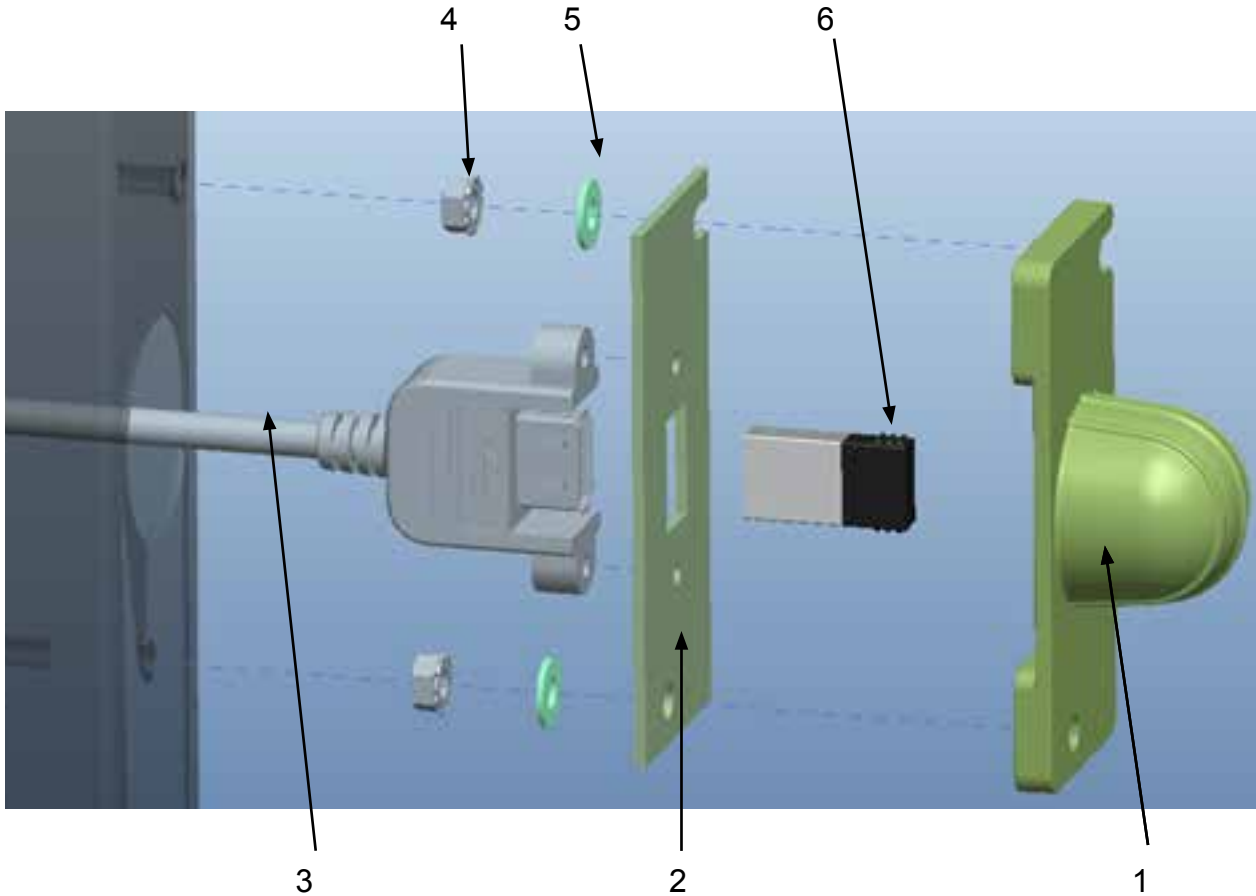
TEEWA553B3 - V3400 - 790 / V3450 - 795 / V2300 - 670 SPARE PARTS

SYM	REQ	PART NO	DESCRIPTION
1	1	86164	LABEL-WARNING,FUSE RATING
2	1	86465	LABEL-WARNING,SHOCK HAZARD
3	6	1-3347	LOCKWASHER,INTERNAL TOOTH
4	2	1-11103	SCREW,FH,M3 X 10MM
5	10	1-15033	BARB NUT M3
6	6	1-10488A	STAND OFF,M3 MALE/FEMALE
7	2	1-13633A	BARB NUT M5
8	3	1-27406A	SCREW - PHM, M3 X 10MM
9	1	2-14258A	SWITCH, PC IN BOX
10	4	2-15651A	FUSE HOLDER
11	4	2-31001A	TERMINAL -QUICK CONNECT
12	1	2-63848A	IEC INLET FILTER,6A
13	1	2-43166A1	POWER SUPPLY
15	1	2-73466A	RESET SWITCH
16	1	8-23762A	LABEL -EARTH SYMBOL
17	1	EAA0261P60B	IEC OUTLET
18	1	EAL0343J76A	ELECT/SERIAL LABEL
19	1	EAL0343J99A	LABEL-FUSE 10A
20	3	EAL0345P51A	LABEL FUSE 5 A
21	1	EAL0415J13A	LABEL-CONNECT TO CAMERA BEAM
22	1	EAL0415J15A	LABEL-ELECTRICAL RATING
23	1	EAL0415J44A	DECAL,ON OFF SWITCH
24	1	EAS2105J96B	COVER - OUTLET
25	1	EAW0235J41A	CABLE ASS'Y-POWER,
26	1	EAW0235J73A	CABLE ASSY -INTERFACE HUB, PC
27	1	EAW0235J74A	CORD - POWER,PC IN BOX
28	2	EAW0243P22A	LINK WIRE,BROWN
29	2	EAW0243P23A	LINK WIRE,BLUE
30	1	EAW0243P25A	LINK WIRE,GRN/YEL
31	5	5-2345	CABLE TIE
32	1	2-06468A	FAN, 60X60X25
33	1	2-22951A	FUSE,10A,250V
34	3	2-18451A	FUSE,5A,250V
35	1	EAA0416V05A	MAIN CASE ASSY PC-IN-BOX
37	5	5-06945A	MOUNT,CABLE TIE
40	1	1-32606A	SCREW, PAN HEAD, M2X4MM
41	4	1-10388A	SCREW,FLAT HEAD,SELF TAPPING
42	1	6-13122A	USB CONNECTOR 4 PORTS
43	2	5-14526A	VELCRO HOOK,LAPTOP ADAPTOR HOLDER
44	2	5-14426A	VELCRO LOOP,LAPTOP ADAPTOR HOLDER

TEEWAS5383 - V3400 - 790 / V3450 - 795 / V2300 - 670 SPARE PARTS

KIT USB RADIO (V3400 / GEO 790)

EAK0305J36A



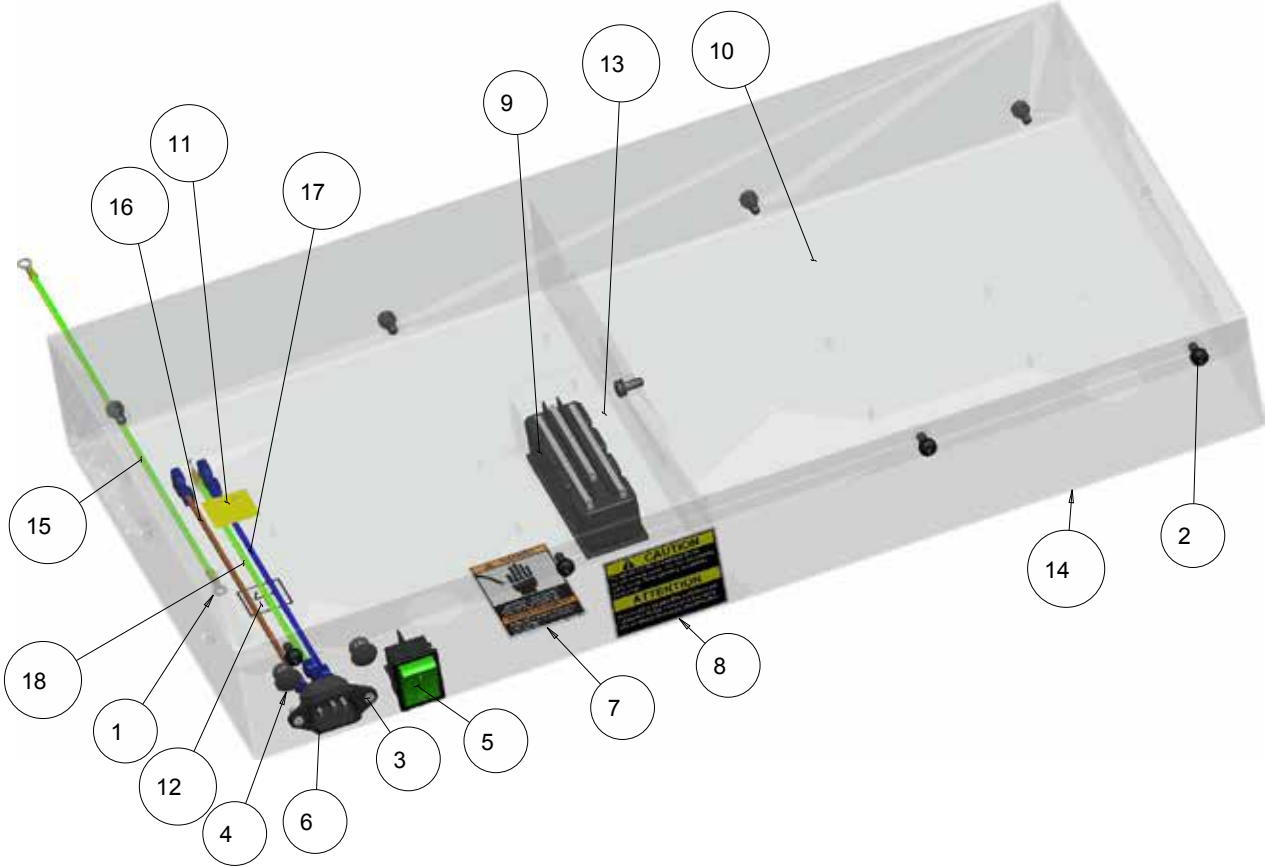
REQD	ITEM	PART NUMBER	DESCRIPTION
1	1	EAC0105J44A	COVER - USB RADIO, PRISM CAB
1	2	EAS2119J47A	BRACKET - USB RADIO, SUPPORT
1	3	EAW0235J91A	CABLE ASM - USB RADIO (39.4" - 1M)
2	4	1-13533A	NUT - ESNA, M4
2	5	1122107	WASHER - FLAT, M4
1	6*	2-02639A	USB RADIO
1	6*	2-03039A	USB RADIO (TELEC APPROVED FOR JAPAN)

* NOT CONTAINED IN KIT

TEEWA553B3 - V3400 - 790 / V3450 - 795 / V2300 - 670 SPARE PARTS

POWER BOX

EAA0353J58B

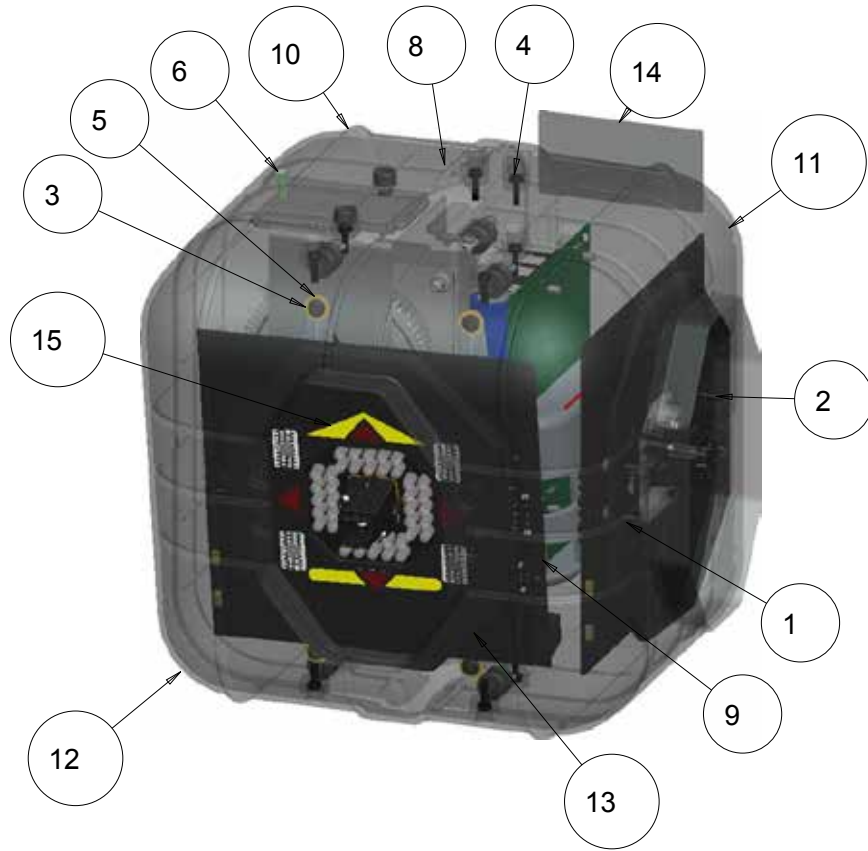


SYM	REQD	PART NO	DESCRIPTION
1	3	1-13633A	BARB NUT M5
2	9	1-16006A	SCREW-M5X12MM PAN HD, BLK
3	2	1-18206	SCREW M3 X 12, PAN HD, BLK
4	2	1-2376	HOLE PLUG
5	1	2-14258A	ROCKER SWITCH, ILLUMINATED, GREEN
6	1	2-64448A	IEC 320-C14 AC RECEPTACLE
7	1	86465	LABEL-WARNING, SHOCK HAZARD
8	1	111245	LABEL-CAUTION, ELECTRICAL
9	1	EAA0261P60B	POWER STRIP - 4 CON
10	1	EAA0361J43A	PANEL ASM - ELECT BOX, TOP
11	1	EAL0345P54A	ELECTRICAL WARNING LABEL
12	1	EAL0392J19A	LABEL-GROUND
13	1	EAS2091J29B	BRACKET
14	1	EAS2091J95B	ELECTRICAL BOX ASSY UNIVERSAL CONSOLE
15	1	EAW0235J36A	CABLE ASSY- GROUND, 12"
16	1	EAW0243P22A	LINK WIRE, BROWN
17	1	EAW0243P23A	LINK WIRE, BLUE
18	1	EAW0243P25A	LINK WIRE, GRN/YEL

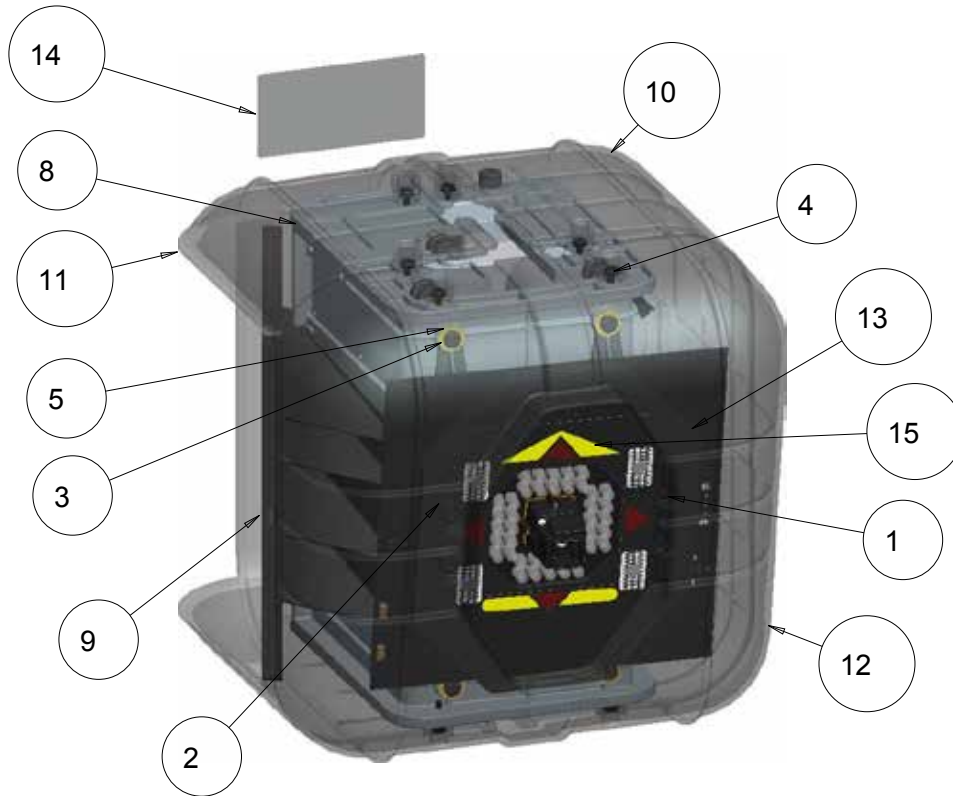
TTEWAS5383 - V3400 - 790 / V3450 - 795 / V2300 - 670 SPARE PARTS

CAMERA PODS (V3400 / GEO 790)

EAA0381J30A



EAA0381J31A



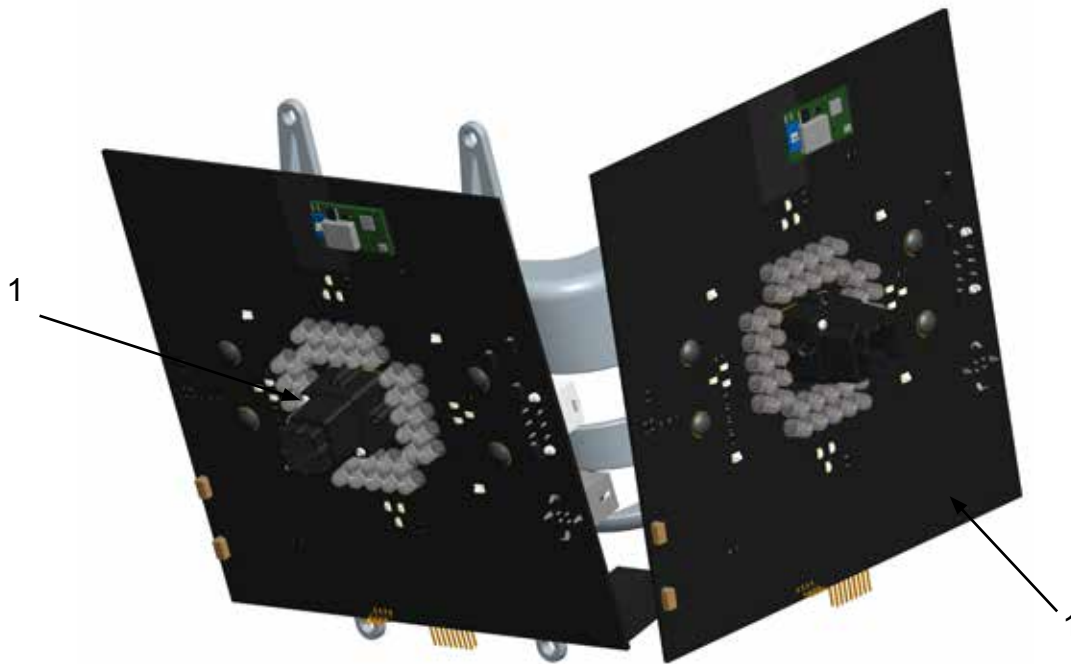
TEEWA553B3 - V3400 - 790 / V3450 - 795 / V2300 - 670 SPARE PARTS

SYM	REQD	PART NO	DESCRIPTION
1	4	1-12724A	SCREW - #6-19 X 1/4 SELF TAP - TRI
2	4	1-12824A	SCREW - #6-19 X 1/2 SELF TAP - TRI
3	4	1-13204A2	SCREW - PHM, M4 X 10MM X 12MM
4	12	1-18206	SCREW - PHM, M3 X 12M W/ WASHER
5	4	1-5547	WASHER-LOCK, EXT, M4
6	2	5-2345	TIE - CABLE 4" LG X .10" WD
7	1	8-09919A	STRAIN RELIEF
8	1	EAA0381J27A	POD ASSY - V3D3, COMMON
9	1	EAA0381J28A	CAM-CAM ASSY - V3D3
	1	EAA0381J29A	CAM-TAR ASSY - V3D3
10	1	EAC0116J08A	COVER - V3D3, SOLID
		EAA0381J84A	COVER-WIRELESS UHR,SOLID,EU
11	1	EAC0116J11A	COVER - V3D3, CALCAM
		EAA0381J86A	COVER-WIRELESS UHR,CAL-CAM,EU
	1	EAC0116J10A	COVER - V3D3, TARGET
12	1	EAC0116J12A	COVER - V3D3, FRONT
		EAA0381J85A	COVER-WIRELESS UHR,FRONT,EU
13	2	EAC0116J13A	COVER - V3D3, VODI
14	1	EAL0343J76A	ELECT/SERIAL LABEL
15	1	EAL0343J81A	GRAPHIC FACE PLATE - V3D2
16	1	EAW0235J48A	CABLE ASS'Y, ULTRA MOTOR CABLE
17	2	EAW0235J51A	CABLE ASSY-CAMERA, ULTRA ARAGO
18	1	EAW0235J82A	CABLE - POWER, COILED V3D3
19	1	EAW0235J87A	CABLE ASM - V3D3, COMM.
NS	1	EAA0381J58A	GRAVITY GUAGE



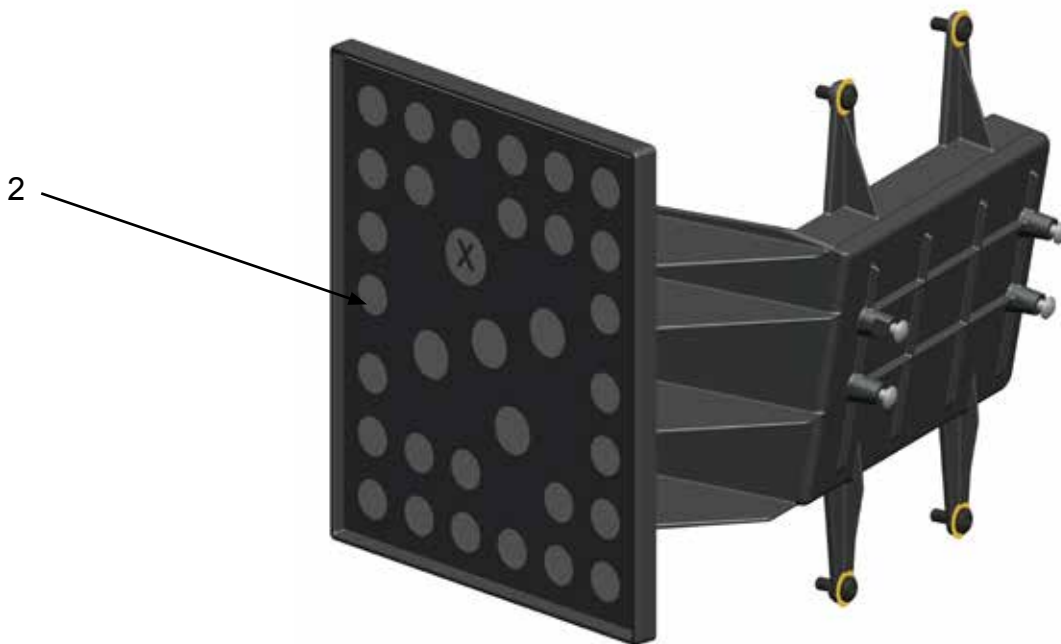
TEEWAS53B3 - V3400 - 790 / V3450 - 795 / V2300 - 670 SPARE PARTS

CAM/CAM ASSEMBLY (V3400/50 - GEO 790/795)



REF	REQ	PART NO	DESCRIPTION
1	1	EAK0320J94C	CAMERA(1) SERVICE KIT. 3 CAMERA SYSTEM
2	1	EAK0305J79A	TARGET BRACKET ASSY

CAM/TARGET ASSEMBLY (V3400/50 - GEO 790/795)

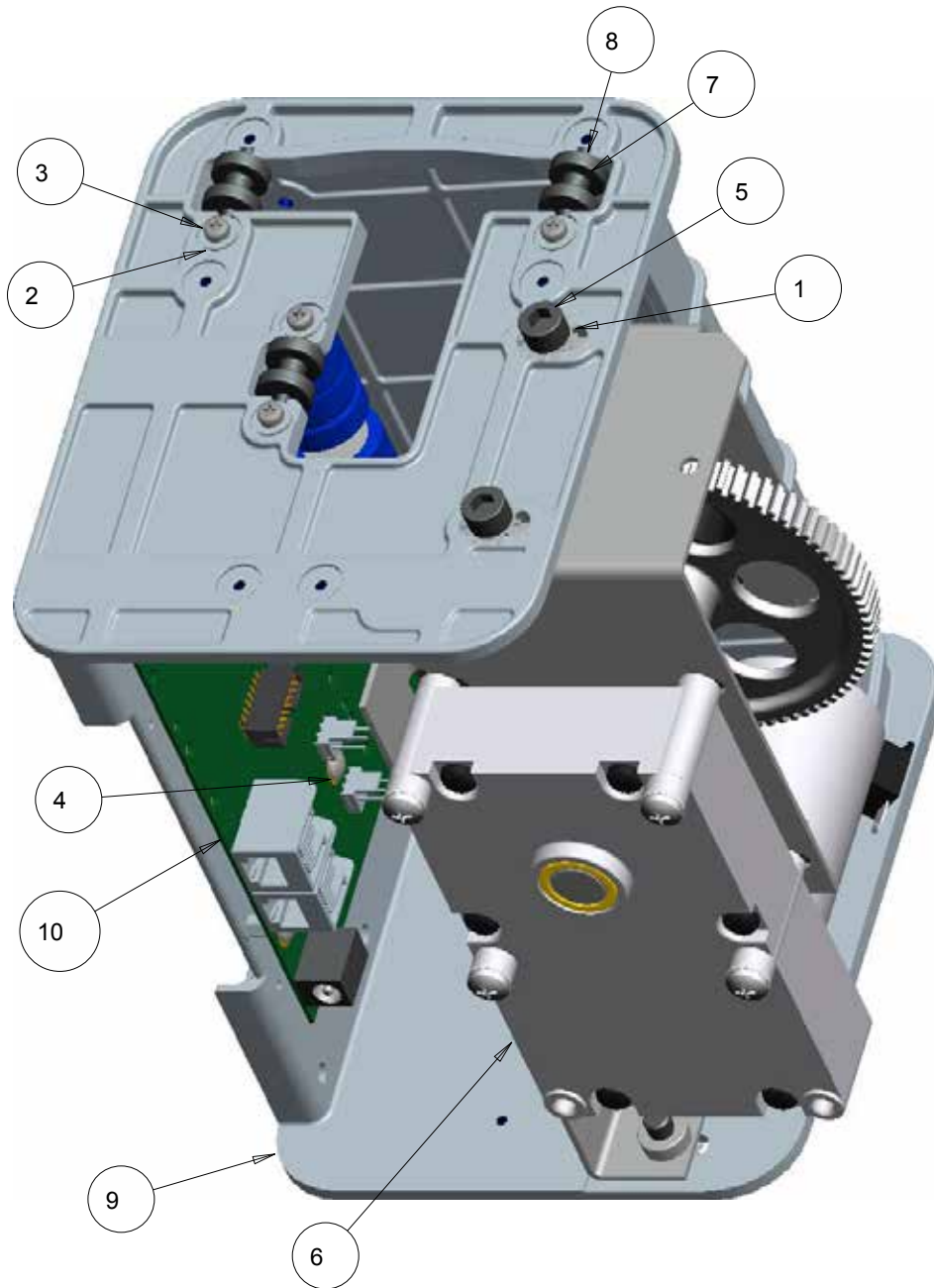


TEEWA553B3 - V3400 - 790 / V3450 - 795 / V2300 - 670 SPARE PARTS

TEEW/AS53B3 - V3400 - 790 / V3450 - 795 / V2300 - 670 SPARE PARTS

POD CAR

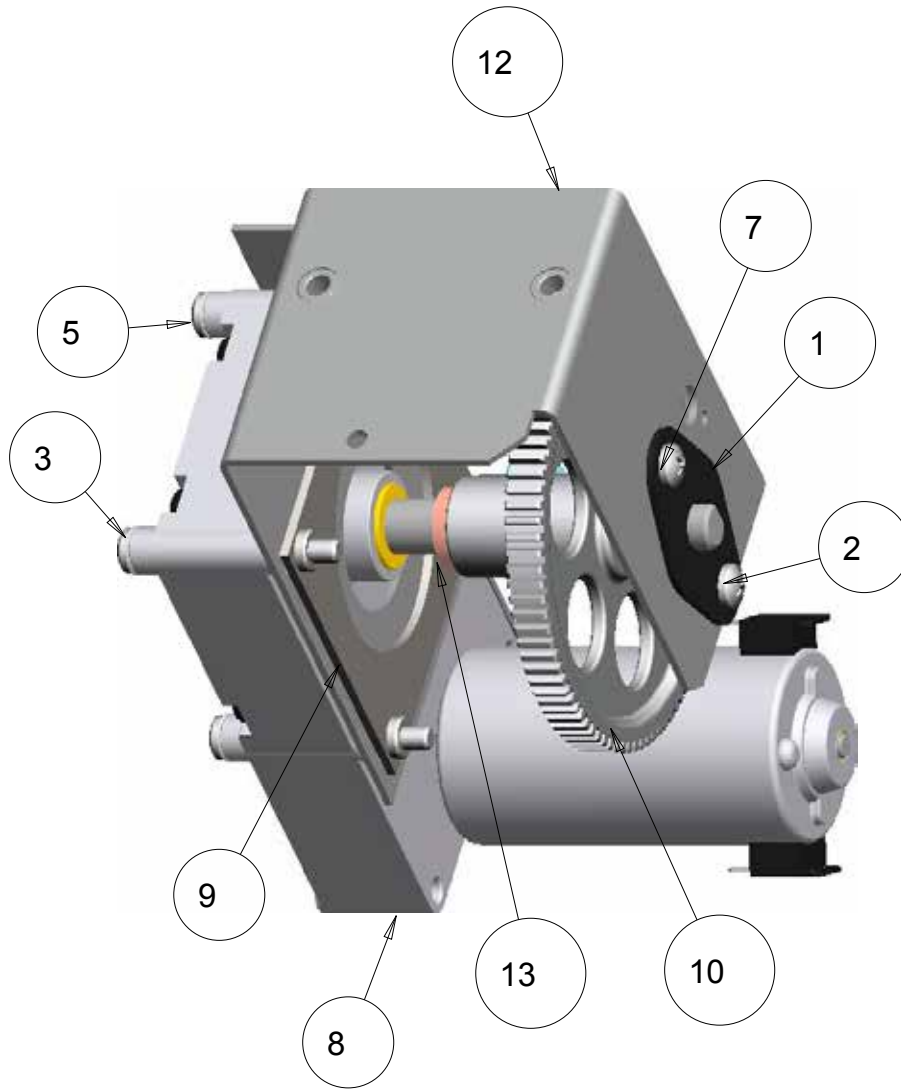
EAA0381J27A



SYM	REQD	PART NO	DESCRIPTION
1	3	1-1548	WASHER-EXT,SHAKEPROOF 6MM
2	8	1-16341A	WASHER - FLAT (3MM), 9MM OD
3	8	1-20504A	SCREW PAN HEAD
4	4	1-38606A	MSCR PHIL PH W/LK M3X6MM
5	3	1-47909A	SCREW-HEX SOCKET H.CAP
6	1	EAA0381J32A	MOTOR/GEAR ASM., V3D3
7	6	EAC0116J05A	ROLLER - V3D3
8	6	EAM0088J16A	PIN - ROLLER, 3MM
9	1	EAM0088J20A	SLIDE CAR - V3D3, MACHINE ASSY
10	1	EAP0280J30A	CONTROL BOARD V3D3

TEEWA553B3 - V3400 - 790 / V3450 - 795 / V2300 - 670 SPARE PARTS

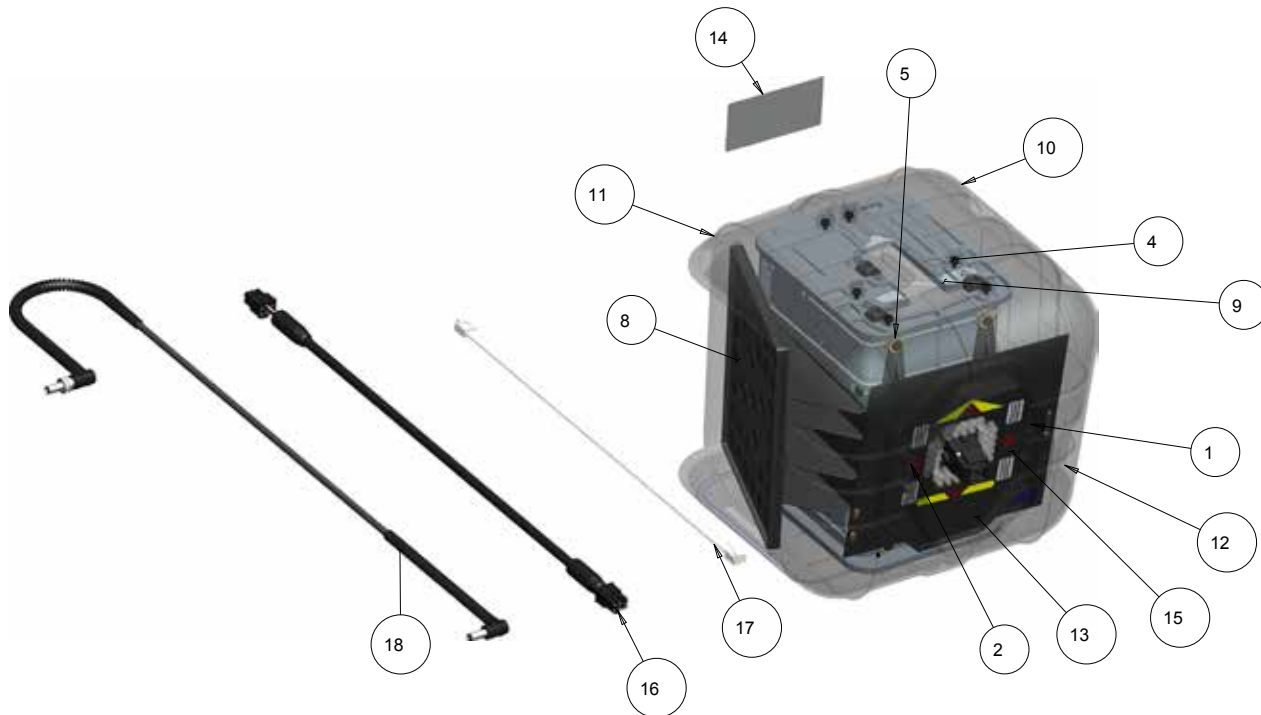
MOTOR / GEAR ASSEMBLY
EAA0381J32A REV B



SYM	REQ	PART NO	DESCRIPTION
1	1	1-02863A	BEARING- FLANGE MTD
2	2	1-32806A	SCREW - PHMS #10-24 X 3/8
3	4	1-347	#10 INTERNAL TOOTH LOCKWASHER
4	1	EAM0088J31A	SCREW-SHCS, 1/4-20 X 3/4,
5	4	1-4806	MSKR PNH #10-32 X 1-3/4
6	1	1-7433	NUT & L/WASHER ASSY, 1/4-20
7	2	1-7733	LOCK NUT-10-24 X .375
8	1	2-44066A	GEAR MOTOR, 12V, ULTRA
9	1	EAA0321J63A	PLATE ASM. - MOTOR LOCK, UA
10	1	EAC0079J65A	GEAR - SPUR, DIE CAST
12	1	EAS2119J83A	BRACKET - MOTOR, V3D3
13	2	1-12944A	SPACER - .PULLY .62 OD X .13 LG

TEEWAS5383 - V3400 - 790 / V3450 - 795 / V2300 - 670 SPARE PARTS

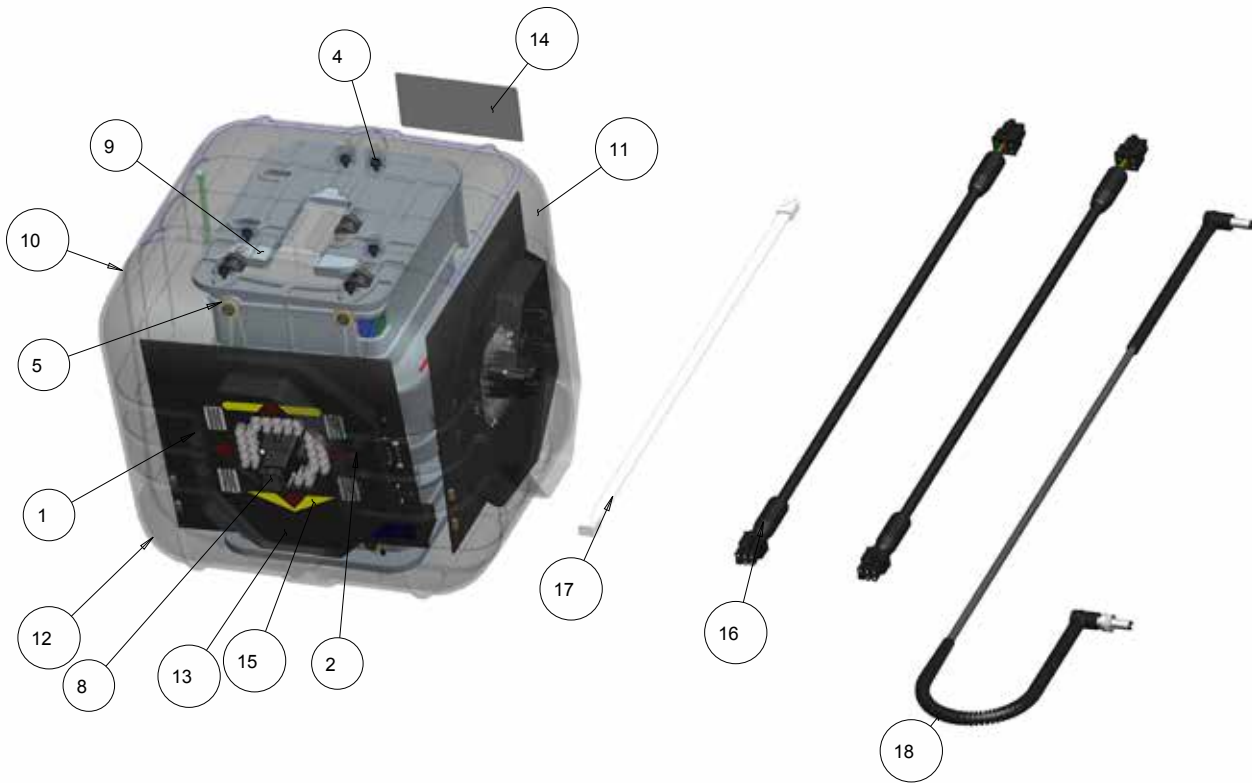
AUDIT PODS (V3450 / GEO 795)
EAA0381J91A



SYM	REQ	PART NO	DESCRIPTION
1	2	1-12724A	SCREW - #6-19 X 1/4 SELF TAP - TRI
2	2	1-12824A	SCREW - #6-19 X 1/2 SELF TAP - TRI
3	4	1-13204A2	SCREW - PHM, M4 X 10MM X 12MM
4	12	1-18206	SCREW - PHM, M3 X 12M W/ WASHER
5	4	1-5547	WASHER-LOCK, EXT, M4
6	2	5-2345	TIE - CABLE 4" LG X .10" WD
7	1	8-09919A	STRAIN RELIEF
8	1	EAA0381J29A	CAM-TAR ASSY - V3D3
9	1	EAA0381J89A	POD ASSY-WIRELESS UHR,COM,AUD
10	1	EAC0116J08A	COVER - V3D3, SOLID
11	1	EAC0116J10A	COVER - V3D3, TARGET
12	1	EAC0116J12A	COVER - V3D3, FRONT
13	1	EAC0116J13A	COVER - V3D3, VODI
14	1	EAL0343J76A	ELECT/SERIAL LABEL
15	1	EAL0343J81A	GRAPHIC FACE PLATE - V3D2
16	1	EAW0235J51A	CABLE ASSY-CAMERA, ULTRA ARAGO
17	1	EAW0235J87A	CABLE ASM - V3D3, COMM.
18	1	EAW0235J89A	CABLE - POWER, V3450, AUD

TEEWA553B3 - V3400 - 790 / V3450 - 795 / V2300 - 670 SPARE PARTS

AUDIT PODS (V3450 / GEO 795)
EAA0381J90A

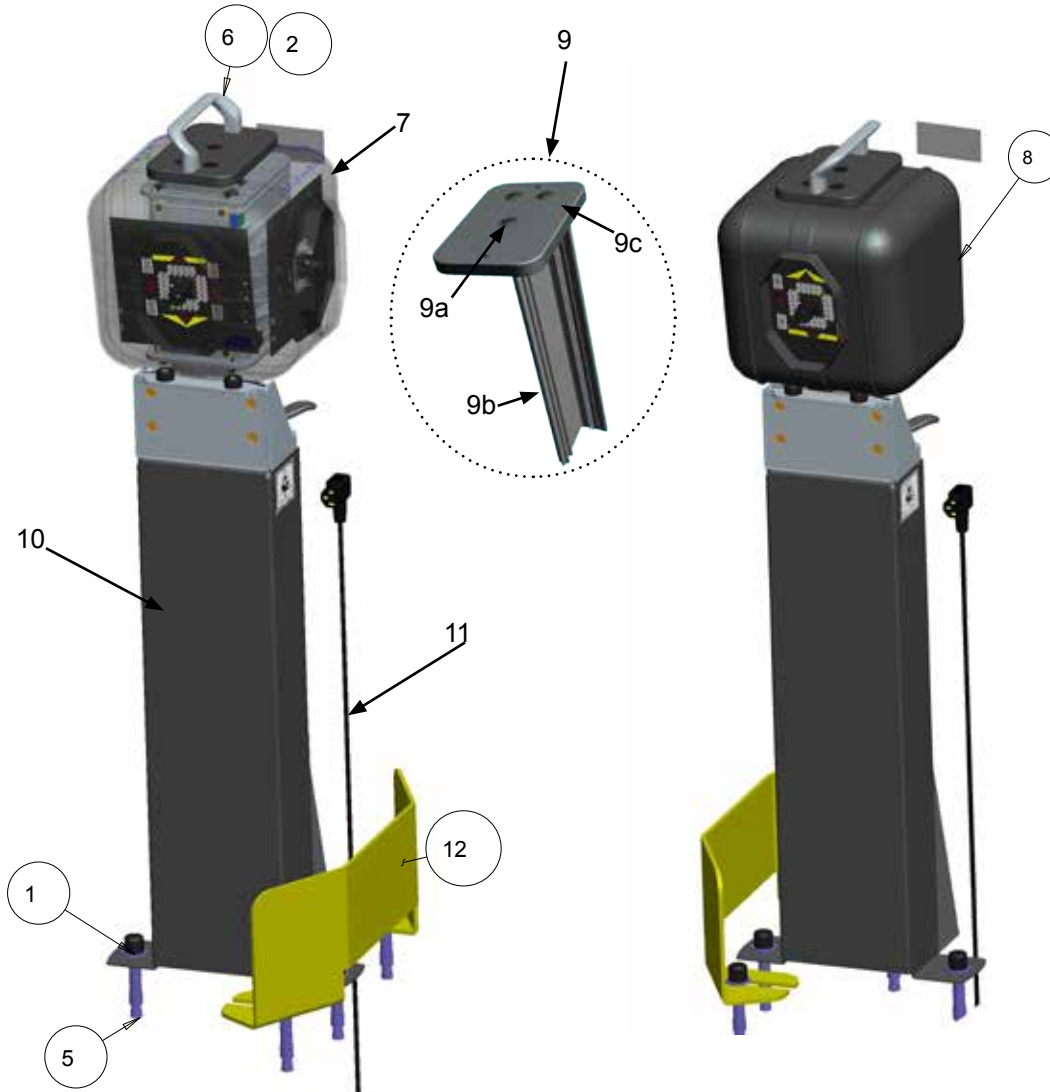


SYM	REQ	PART NO	DESCRIPTION
1	4	1-12724A	SCREW - #6-19 X 1/4 SELF TAP - TRI
2	4	1-12824A	SCREW - #6-19 X 1/2 SELF TAP - TRI
3	4	1-13204A2	SCREW - PHM, M4 X 10MM X 12MM
4	12	1-18206	SCREW - PHM, M3 X 12M W/ WASHER
5	4	1-5547	WASHER-LOCK, EXT, M4
6	2	5-2345	TIE - CABLE 4" LG X .10" WD
7	1	8-09919A	STRAIN RELIEF
8	1	EAA0381J28A	CAM-CAM ASSY - V3D3
9	1	EAA0381J89A	POD ASSY-WIRELESS UHR,COM,AUD
10	1	EAC0116J08A	COVER - V3D3, SOLID
11	1	EAC0116J11A	COVER - V3D3, CALCAM
12	1	EAC0116J12A	COVER - V3D3, FRONT
13	2	EAC0116J13A	COVER - V3D3, VODI
14	1	EAL0343J76A	ELECT/SERIAL LABEL
15	1	EAL0343J81A	GRAPHIC FACE PLATE - V3D2
16	2	EAW0235J51A	CABLE ASSY-CAMERA, ULTRA ARAGO
17	1	EAW0235J87A	CABLE ASM - V3D3, COMM.
18	1	EAW0235J89A	CABLE - POWER, V3450, AUD

TEEWAS5383 - V3400 - 790 / V3450 - 795 / V2300 - 670 SPARE PARTS

AUDIT TOP ASSEMBLYH (V3450 / GEO 795)

EAA0381J93A

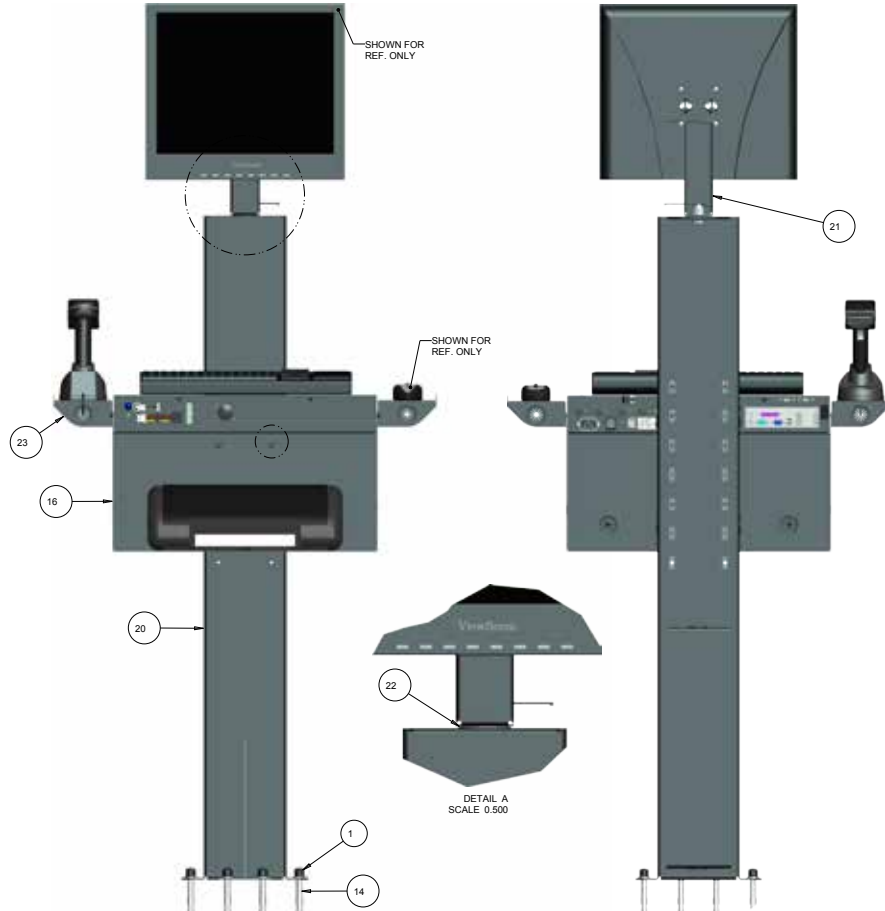


SYM	REQ	PART NO	DESCRIPTION
1	10	1-04476A	PLUG HOLE-NUT COVERS
2	4	1-28906A	SCREW, 1/4-20 X 5/8 PAN HD MACHINE SCREW
3	5	6-0739	SHIM PLATE .06 THK
4	5	6-0740	SHIM PLATE .125 THK
5	10	8-02440A	STUD ANCHOR BOLT, 1/2 X 3.75"
6	2	8-12133A	HANDLE-45 DEG OFFSET
7	1	EAA0381J90A	POD ASSY - WIRELESS UHR,CAM-CAM,AUD
8	1	EAA0381J91A	POD ASSY-WIRELESS UHR,CAM-TAR,AUD
9	2	EAA0381J92A	T-BAR ASSY" (V3450 / GEO 795)
NS	3	1-12524A	SCREW - M4 X 12MM, SELF TAP
9a	3	1-1776	PLUG - HOLE
9b	1	EAC0116J39A	TEE - EXTRUSION (SHORT)
9c	1	EAM0088J46A	TOP PLATE
10	2	EAA0381J95A	BASE MOUNT ASM-AUDIT
11	1	2-69966A	POWER CABLE - RIGHT ANGLE
12	2	EAS2048J61A	GUARD - BASE, DRIVE-THRU

TEEWA553B3 - V3400 - 790 / V3450 - 795 / V2300 - 670 SPARE PARTS

TOWER ASSY' KIOSK, PC (V3450 / GEO 795))

EAA0381J67A

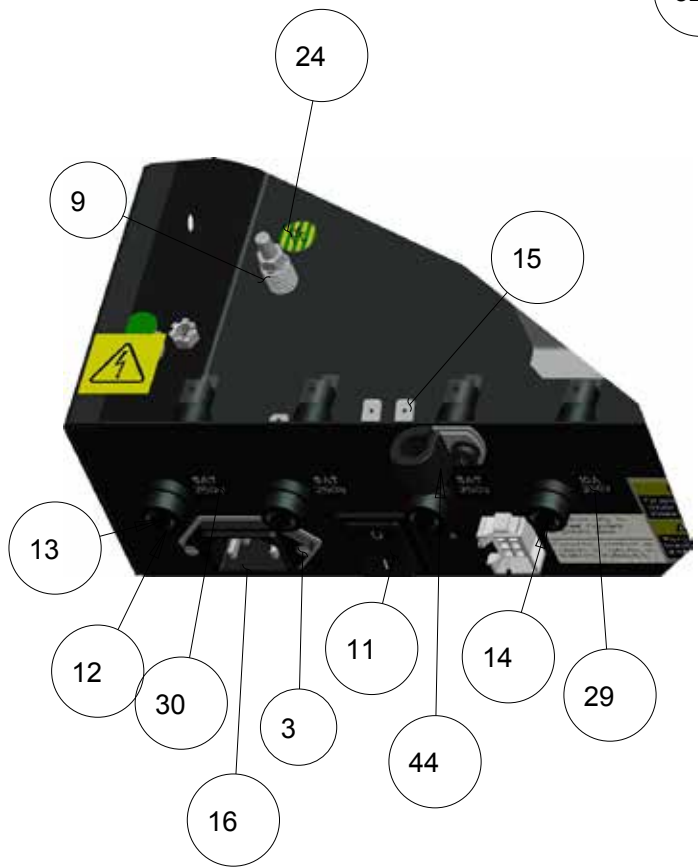
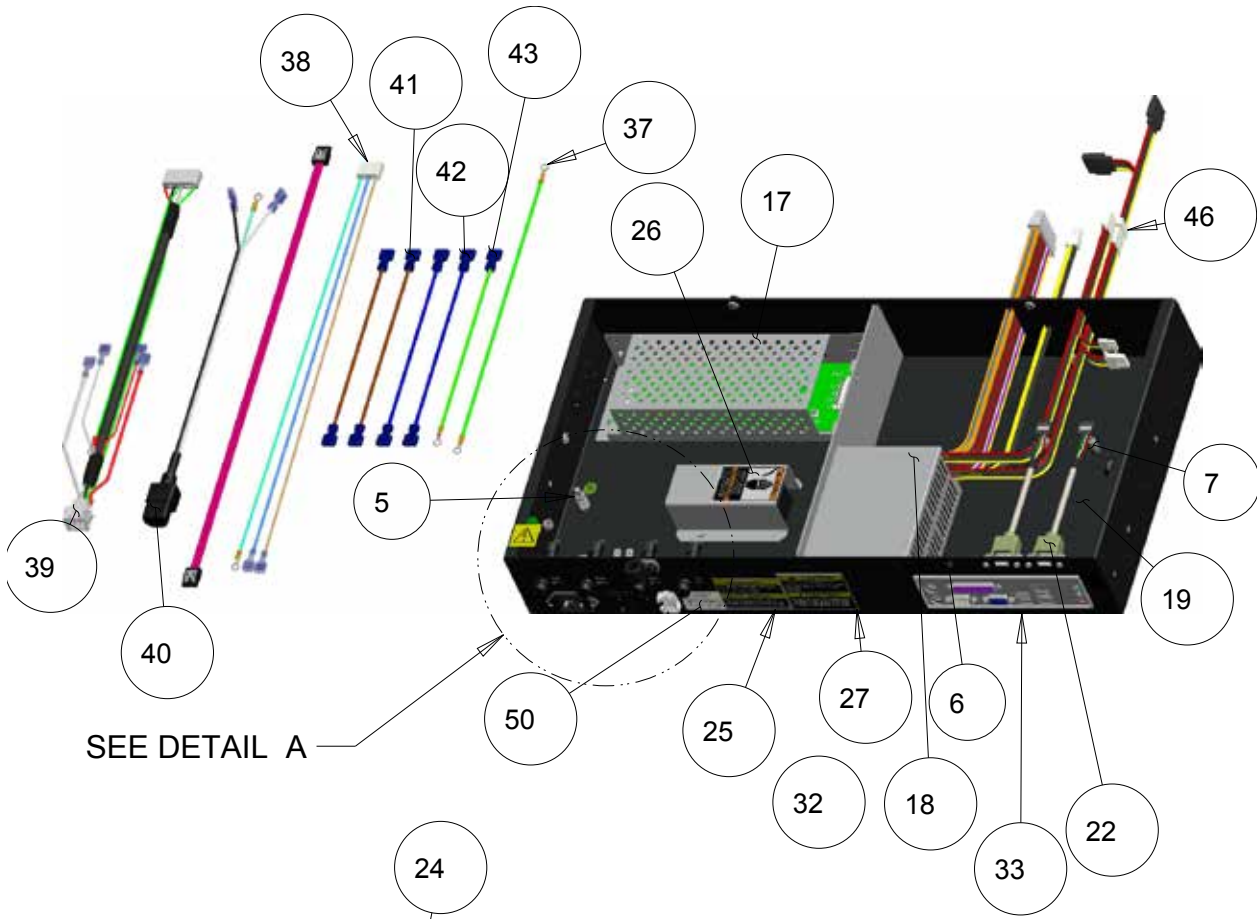


SYM	REQ	PART NO	DESCRIPTION
1	4	1-04476A	PLUG HOLE-NUT COVERS
2	2	1-08424A	SCREW, HHW #8-32 X 1/2,
3	2	1-10033	NUT, HEX, M8
4	2	1-1041	WASHER - 1/2 ID
5	4	1-13404A_CONWAY	SCREW - PHM, M4 X 16MM
6	6	1-16006A	SCREW-M5X12MM PAN HD, BLK
7	4	1-17841	WASHER - D. 8X24
8	4	1-20141A	WASHER, FLAT- 1/4
9	1	1-26033A	NUT-HEX, NYLON LOCK 1/2-13
10	2	1-32601	SCREW - HHW, M8 X 20MM
11	4	1-44009A	SCREW-BHCS, 1/4-20 X 7/8
12	1	1-54901A	SCREW - HHC, 1/2-13 X 1.25
13	2	5-2345	TIE - CABLE 4" LG X .10" WD
14	4	8-02440A	STUD ANCHOR BOLT, 1/2 X 3.75"
15	12	8-10216A	BUSHING - UNIVERSAL,
16	1	EAA0353J82A	BOX SHELF WELD V3D PC BOX
18	1	EAS2119J41A	BRACKET 2 - PIVOT, LCD
20	1	EAS2119J39A	TOWER - ASM KIOSK, PC
21	1	EAS2119J40A	BRACKET - LCD, PIVOT
22	1	EAS2119J44A	WASHER - TOWER, LCD
23	2	EAS2119J46A	BRACKET - SCANNER, SUPPORT
24	4	1-18941A	WASHER-FLAT, .195 X .619 X .06 THICK
25	1	8-08116A	BUSHING-SNAP 16/16ID,29/64LG

TEEWAS53B3 - V3400 - 790 / V3450 - 795 / V2300 - 670 SPARE PARTS

PC ASSEMBLY GENERIC

FOR SERVICE ORDER
EAA0353J83A1



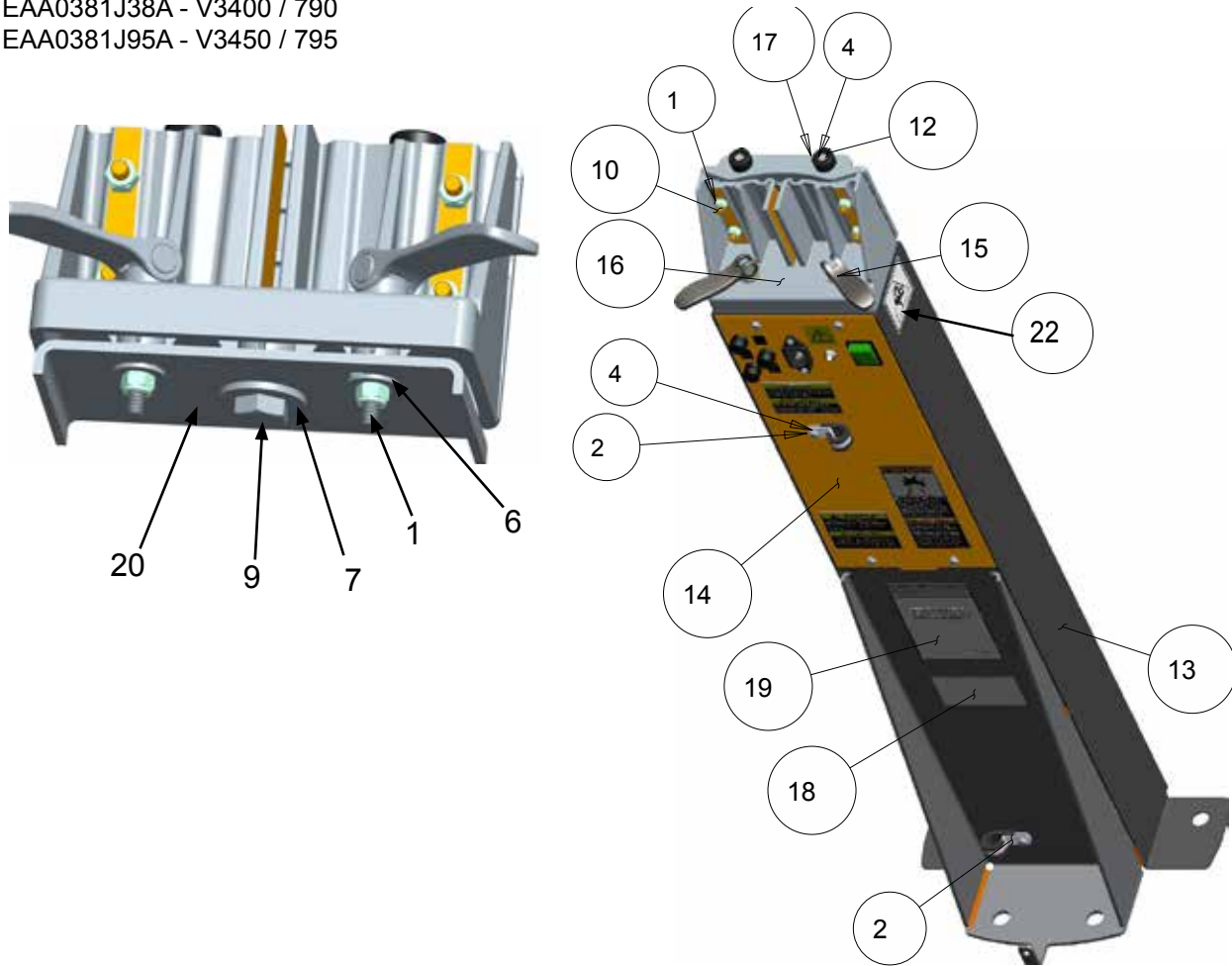
TEEWA553B3 - V3400 - 790 / V3450 - 795 / V2300 - 670 SPARE PARTS

SYM	REQ	PART NO	DESCRIPTION
1	1	1-06976A	HOLE PLUG 1.25" DIA.
2	8	1-09161A	SPACER M3 X 14 THREADED
3	2	1-11103	M3 X 10MM FLAT HEAD SCREW
4	11	1-15033	BARB NUT M3
5	2	1-13633A	BARB NUT M5
6	4	1-16006A	SCREW-M5X12MM PAN HD, BLK
7	4	1-16461A	STANDOFF-1/4 HEX #6-32 X .50 M/F
8	12	1-27406A	SCREW - PHM, M3 X 10MM
9	7	1-3347	LOCKWASHER, INTERNAL TOOTH
10	4	1-37106A	SCREW - FLAT HD #6-32 X 1/4
11	1	2-12258A	SWITCH, ROCKER
12	4	2-15651A	FUSE HOLDER
13	3	2-18451A	FUSE - 5A SLOW BLOW
14	1	2-22951A	FUSE - 10 AMP, 250V
15	4	2-31001A	TERMINAL - QUICK CONNECT
16	1	2-37348A	AC RECEPTACLE & LINE FILTER (IEC)
17	1	2-43166A1	POWER SUPPLY ADJUSTED
18	1	2-54866A	PC - POWER SUPPLY
22	1	6-08622A	USB CABLE ASM. - PC
23	1	8-7216	PLUG-HOLE, 16MM DIA
24	2	8-23762A	LABEL - EARTH SYMBOL
25	1	86164	LABEL-WARNING, FUSE RATING
26	1	86465	LABEL-WARNING, SHOCK HAZARD
27	1	111245	LABEL-CAUTION, ELECTRICAL
28	1	EAA0261P60A	POWER STRIP - 7 CON
29	1	EAL0343J99A	LABEL-FUSE 10A,250V
30	3	EAL0345P51A	LABEL FUSE 5 A
31	1	EAL0345P54A	ELECTRICAL WARNING LABEL
32	1	EAL0343J76A	ELECT/SERIAL LABEL
33	1	EAS2105J91A	ASSY - ELECTRICAL V3D PC SHELF
35	1	EAS2105J94A	ASSY - COVER, ELECT. V3D PC SHELF
36	1	EAS2105J96A	COVER - OUTLET
37	1	EAW0235J36A	CABLE ASSY- GROUND, 12"
38	1	EAW0235J41A	CABLE ASS'Y-POWER, 3 WAY
39	1	EAW0235J73A	CABLE ASSY - INTERFACE HUB, PC (PC IN A BOX)
		EAW0235J45B	CABLE ASSY - INTERFACE HUB, PC (PWR SUPPLY TO LOWER CAB)
40	1	EAW0235J74A	CORD - POWER, PC IN BOX
41	2	EAW0243P22A	LINK WIRE, BROWN
42	2	EAW0243P23A	LINK WIRE, BLUE
43	1	EAW0243P25A	LINK WIRE, GRN/YEL
44	1	2-09457	CLAMP METAL, 3/8
45	4	1-3806	MSCR PNH #6-32 X 3/8
46	1	6-09022A	ADAPTOR CABLE POWER SUPPLY TO MOTHER BOARD
47	1	EAL0343J64A	LABEL-CAUTION, VOLTAGE SELECTION
48	6	5-2345	CABLE TIE
49	6	5-06945A	MOUNT, CABLE TIE
50	1	EAL0415J13A	LABEL-CONNECT TO CAMERA BEAM
51	1	EAL0415J15A	LABEL- ELECTRICAL RATING

TEEWAS5383 - V3400 - 790 / V3450 - 795 / V2300 - 670 SPARE PARTS

BASE TOWER

EAA0381J38A - V3400 / 790
 EAA0381J95A - V3450 / 795



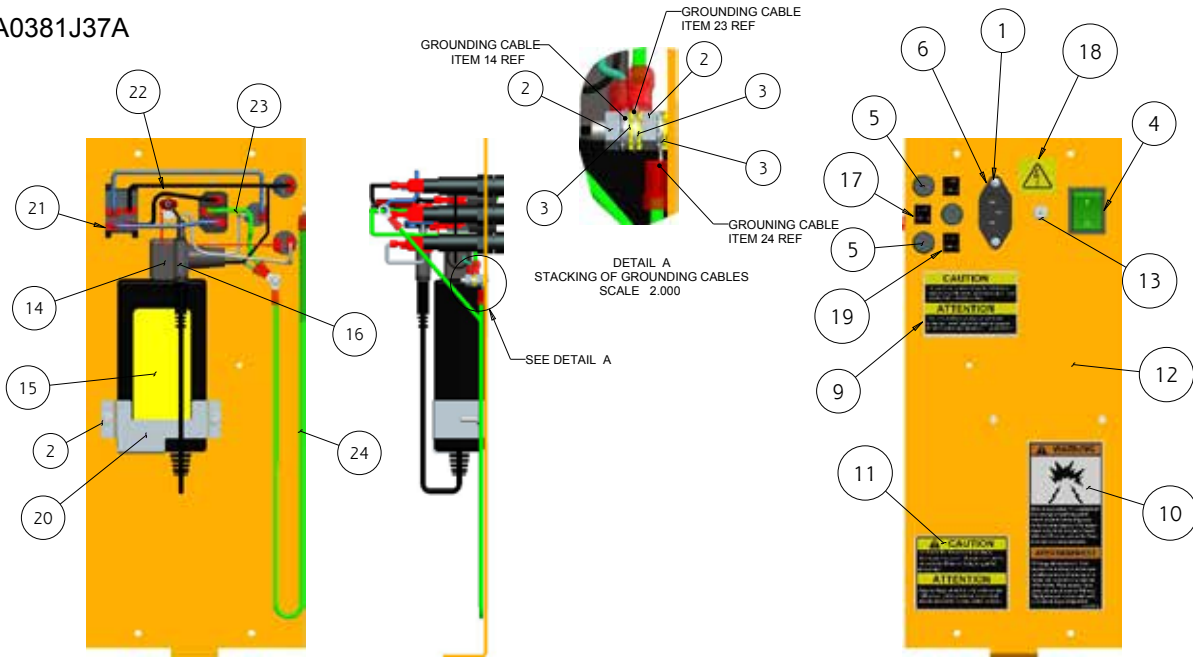
SYM	REQ	PART NO	DESCRIPTION
1	6	1-01637A	NUT-ESNA,M6
2	2	1-04082A	CLAMP - HOSE CUSHIONED
4	8	1-12624A	SCREW - THREAD FORMING, M4X.07,
5	1	1-13533A	NUT - BARB, M4
6	2	1-16641A	WASHER - FLAT (6MM)
7	1	1-16941A	WASHER, LARGE ISO 7093 (DIN 9021)
8	1	1-32641A	WASHER-LOCK,M4 DIN 6797 TYPE A
9	1	1-34201A	MSCR, HEX HD - M10 X 16MM
10	4	1-56001A	BOLT - HEX HEAD, DIN931
11	1	2-69966A	POWER CABLE - RIGHT ANGLE
12	2	8-08018A	RUBBER FOOT
13	1	EAA0381J36A	WELD ASM - ALIGNER TOWER (V3400 / GEO 790)
		EAA0381J94A	WELD ASM - ALIGNER TOWER (V3450 / GEO 795)
14	1	EAA0381J37A	ELECTRICAL MOUNT PLATE ASM
15	2	EAA0381J45A	LEVER - CAM
16	1	EAC0116J14A	CLAMP - ALIGNER POLE, SIDE A
17	1	EAC0116J15A	CLAMSHELL-ALIGNER POLE, SIDE B
18	1	EAL0343J76A	ELECT/SERIAL LABEL
19	1	EAL0392J18A	LABEL-PATENT ALIGNMENT
20	1	EAS2119J92B	PLATE - DOUBLER, 5 DEG ROTATION
21	1	EAA0381J70A	TAG-TORQUE SPEC
22	2	EAL0392J07A	LABEL- WARNING
23	1	EAL0392J19A	LABEL-GROUND

TEEWA553B3 - V3400 - 790 / V3450 - 795 / V2300 - 670 SPARE PARTS

ELECTRICAL MOUNT PLATE ASSY

EAA0381J37A

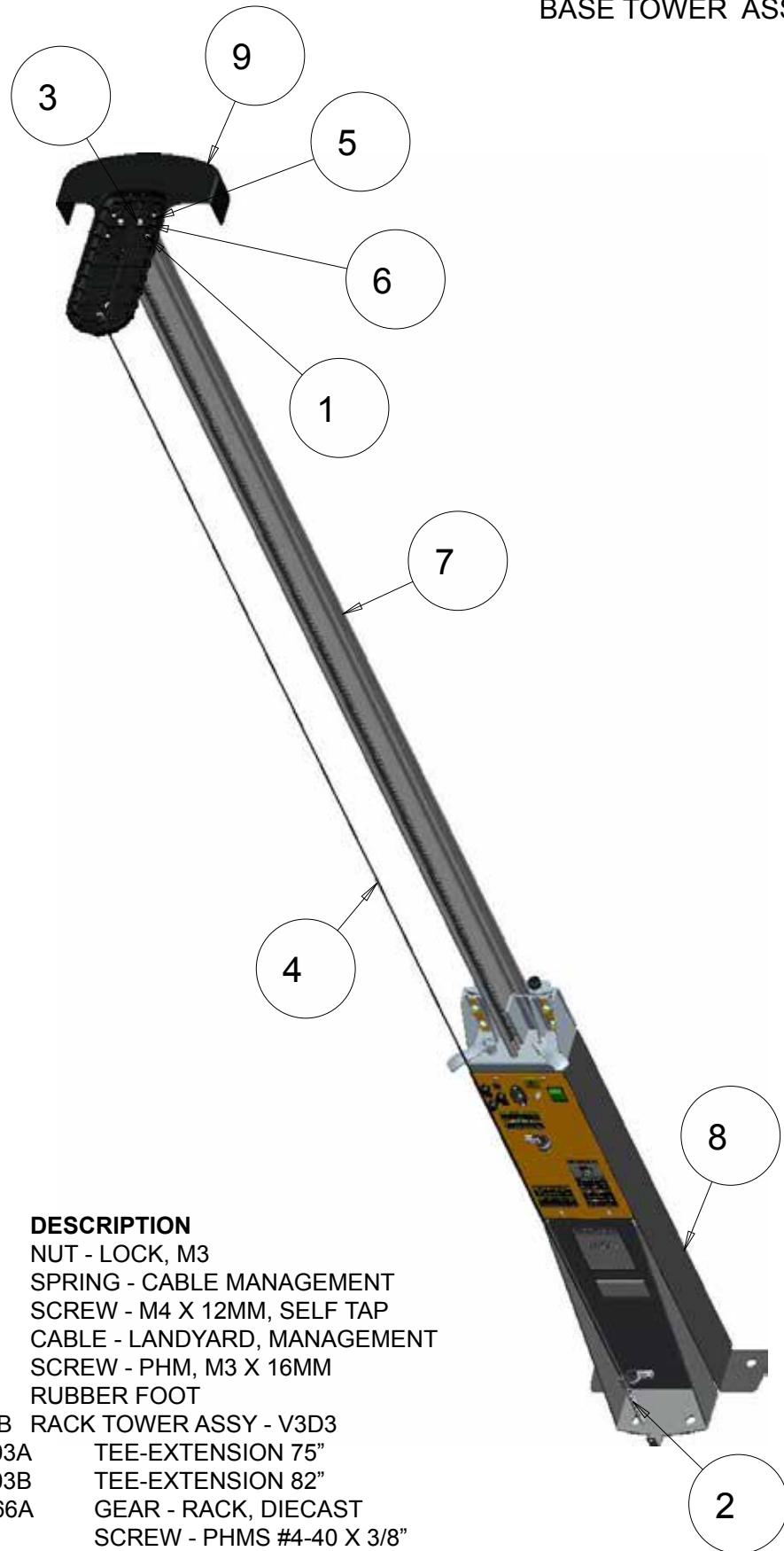
12



SYM	REQD	PART NO	DESCRIPTION
1	2	1-12224A	SCREW - THREAD FORMING, M3X0.5
2	4	1-13533A	NUT - BARB, M4
3	3	1-32641A	WASHER-LOCK, M4 DIN 6797 TYPE A
4	1	2-14258A	ROCKER SWITCH, ILLUMINATED, GREEN
5	3	2-15651A	FUSE HOLDER
6	1	2-64448A	IEC 320-C14 AC RECEPTACLE
7	2	2-7551	SLO-BLO FUSE (1 AMP, 250V)
8	1	2-7651	SLO-BLO FUSE (2 AMP, 250V)
9	1	86164	LABEL-WARNING, FUSE RATING
10	1	111243	LABEL-WARNING EXPLOSION
11	1	111245	LABEL-CAUTION, ELECTRICAL
12	1	EAA0381J48A	PANEL - ELECT MOUNT, ALIGNER
13	1	EAE0049J81A	CABLE ASM - SWITCHCRAFT
14	1	EAE0049J83A	CABLE ASM - IEC320-C13
15	1	EAE0049J84A	POWER SUPPLY - ALIGNER
16	1	EAE0049J85A	CABLE ASM - DC BARREL (MALE)
17	2	EAL0345P53A	LABEL-FUSE 1A
18	1	EAL0345P54A	ELECTRICAL WARNING LABEL
19	1	EAL0415J61A	LABEL-FUSE, 2A
20	1	EAS2119J91A	BRACKET - POWER SUPPLY, ALIGNER
21	2	EAW0235J83A	CABLE ASM - LT BLUE, 18 AWG
22	2	EAW0235J84A	CABLE ASM - BLACK, 18 AWG
23	1	EAW0235J85A	CABLE ASM - GROUND, 18 AWG
24	1	EAW0235J86A	CABLE ASM - GROUND, 18 AWG

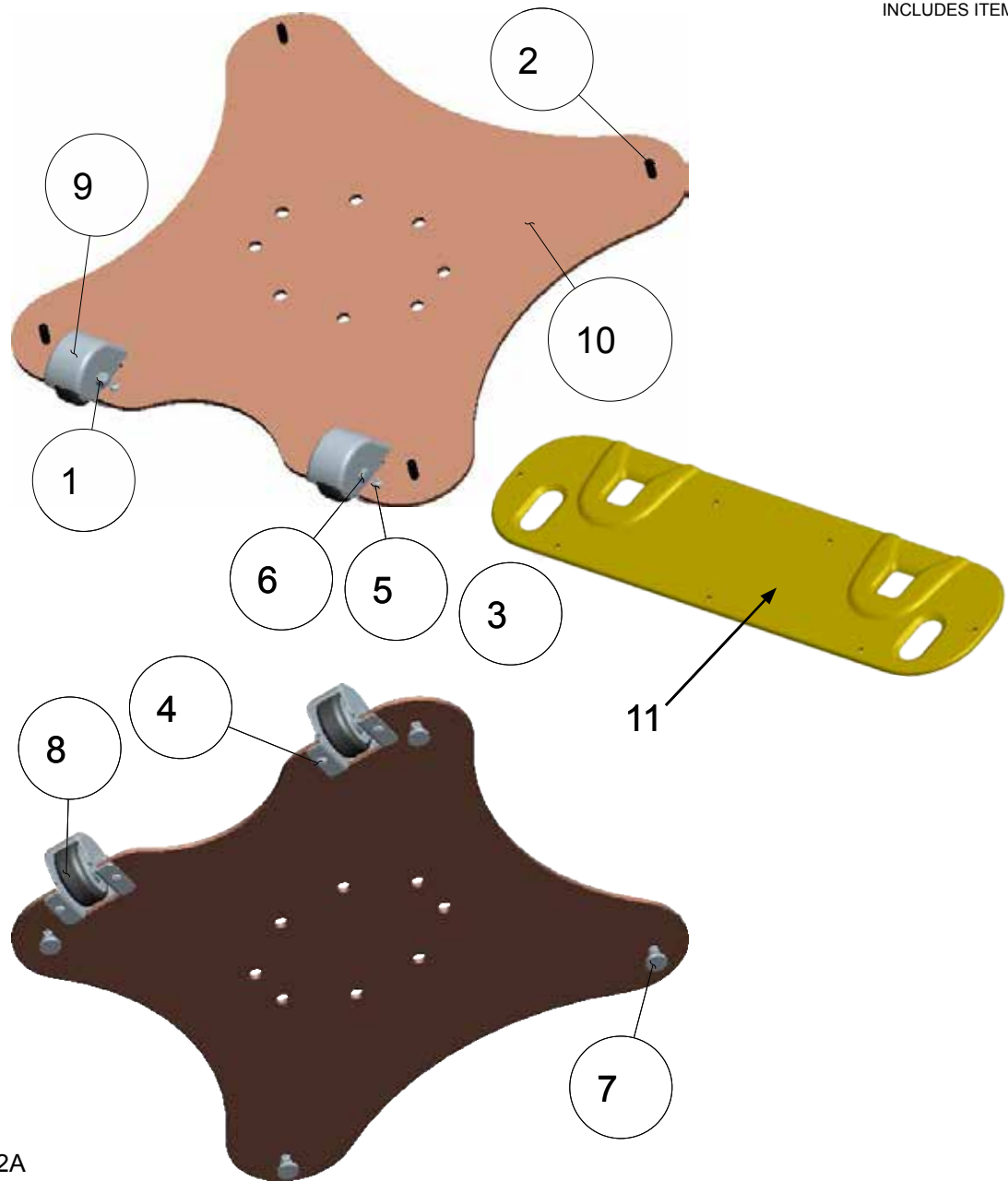
TEEWAS5383 - V3400 - 790 / V3450 - 795 / V2300 - 670 SPARE PARTS

BASE TOWER ASSY



SYM	REQ	PART NO	DESCRIPTION
1	4	1-01537A	NUT - LOCK, M3
2	1	1-07767A	SPRING - CABLE MANAGEMENT
3	2	1-12524A	SCREW - M4 X 12MM, SELF TAP
4	1	1-26384A	CABLE - LANDYARD, MANAGEMENT
5	4	1-37306A	SCREW - PHM, M3 X 16MM
6	4	8-08018A	RUBBER FOOT
7	1	EAA0381J33A/B	RACK TOWER ASSY - V3D3
	1	EAC0116J03A	TEE-EXTENSION 75"
	1	EAC0116J03B	TEE-EXTENSION 82"
	4	EAC0079J66A	GEAR - RACK, DIECAST
	12	1-10624A	SCREW - PHMS #4-40 X 3/8"
8	1	EAA0381J38A	BASE MOUNT ASM 30"
		EAA0381J38B	BASE MOUNT ASM 23"
9	1	EAC0116J17A	CAP - TOP, V3D3

TEEWA553B3 - V3400 - 790 / V3450 - 795 / V2300 - 670 SPARE PARTS



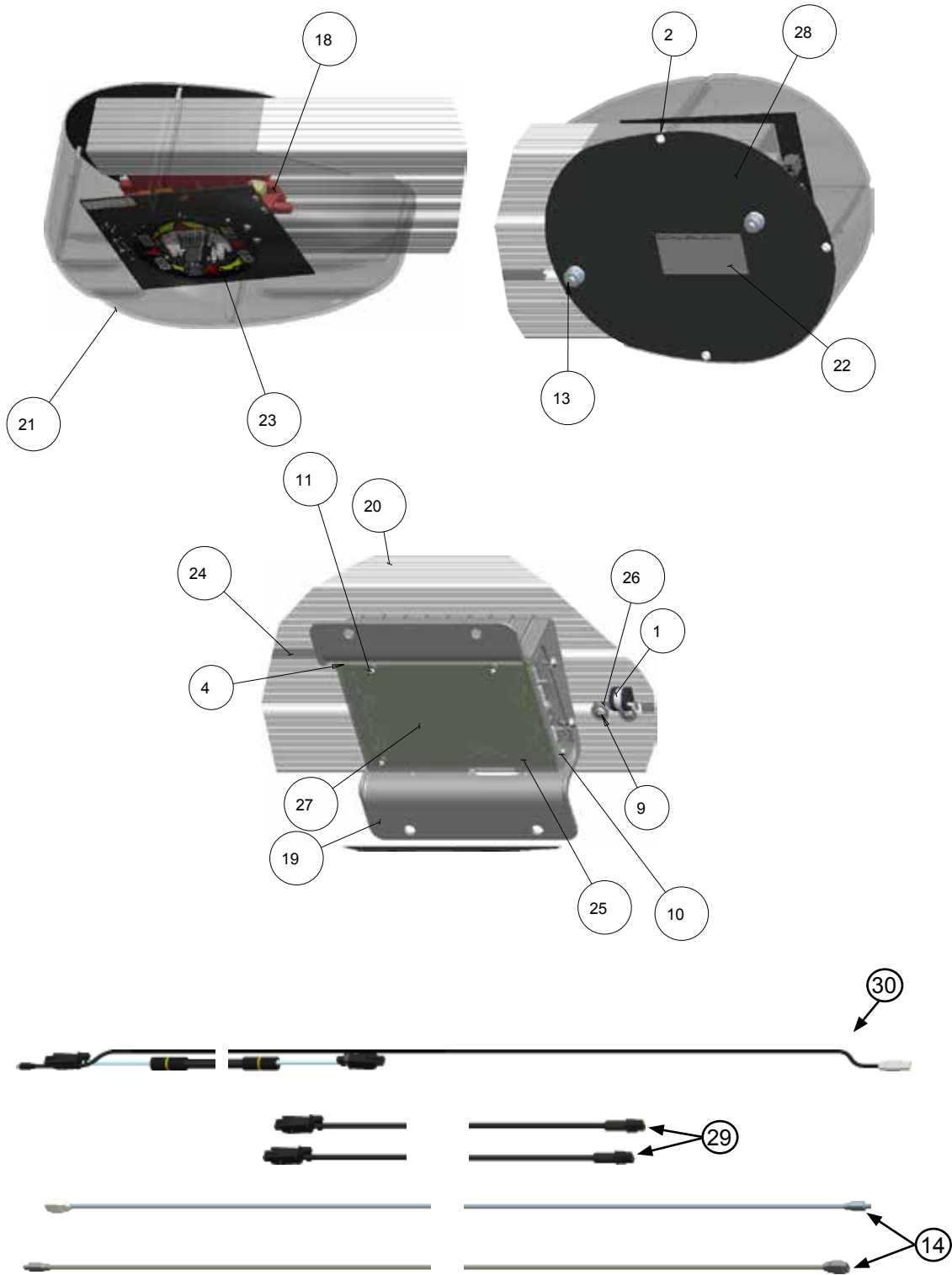
EAA0381J42A

SYM	REQ	PART NO	DESCRIPTION
1	2	1-03237A	NUT-LOCKING, 3/8"-16
2	4	1-12276A	CAP-VINYL, .304 X 1.0LG
3	4	1-13241A	WASHER, ISO 7089 (DIN 125A)
4	4	1-13733A	NUT,BARB (EXT.WASHER) M6
5	4	1-62709A	SCREW-M6X1 18MM, BTN HEAD
6	2	1-9101	3/8-16 X 2 3/8 HEX HEAD CAP SCREW
7	4	8-14618A	FOOT - SELF LEVELING, M8X1.25
8	2	8-31739A	WHEEL 3.0" DIA
9	2	EAC0116J16A	WHEEL COVER - CAST
10	1	EAS2119J90A	PLATE - PORTABLE BASE
11	1	EAK0305J77A	KIT - DOCKING PAD, MOBILITY BASE

TEEWAS5383 - V3400 - 790 / V3450 - 795 / V2300 - 670 SPARE PARTS

CAMERA BEAM ASSEMBLY V2300 / GEO670

EAA0395J05A

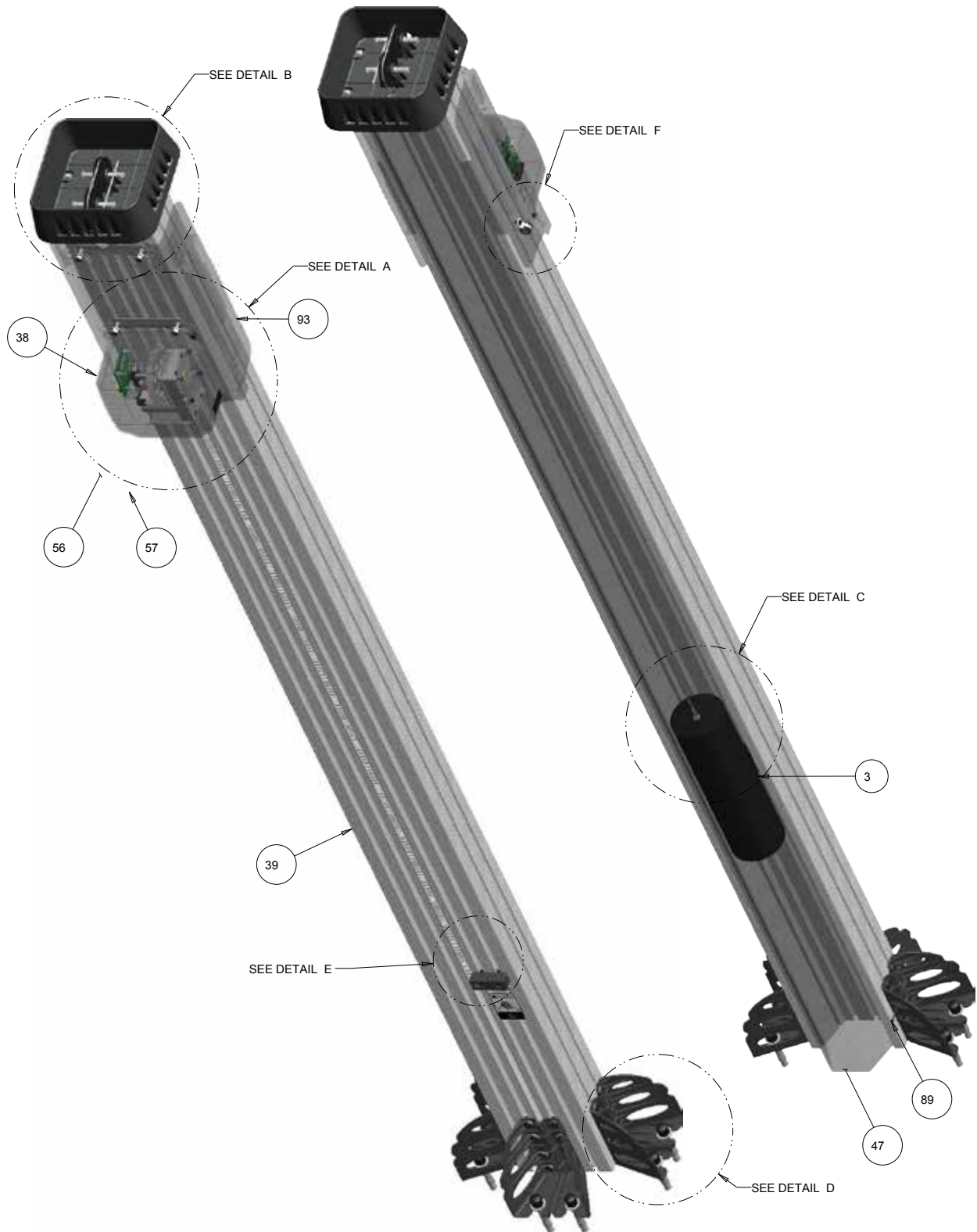


TEEWA553B3 - V3400 - 790 / V3450 - 795 / V2300 - 670 SPARE PARTS

SYM	REQ	PART NO	DESCRIPTION
1	1	1-03382A	CLAMP METAL, 1/2
2	6	1-07424A	SCREW - PAN HD, 8-18 X 1/2
3	12	1-10041	WASHER - FLAT, 5/16
4	4	1-12926A	SCREW, SELF TAPPING M4.2 X 13MM
5	12	1-1337	NUT - ESNA, 5/16 -18
6	3	1-15033	NUT-KEPS, M3 - .5
7	3	1-15462A	SPACER - .14ID X .25OD X .19LG
8	2	1-18341A	WASHER-.19ID X .62OD X .06 THK, STEEL
9	2	1-18602A	SCREW-RHMS 10-24 X 3/8
10W	1	1-26206A	SCREW - PHMS, #4-40 X 3/8
11	3	1-27506A	SCREW-PHM, M3 X 12MM
12	1	1-546	LOCKWASHER - #4
13	12	1-705A	BOLT-CARRIAGE 5/16-18 X 3/4
14	2	6-02422B6	CABLE-USB A MALE / B MALE
15	1	8-28560A	SKID-CAMERA BEAM
17	2	8-36760A2	INSERT-FOAM CAMERA BEAM
18	2	EAK0277J97A	ULTRA CAMERA
		EAK0277J97B	UHR CAMERA (NO RADIO)
		EAK0320J94C	V3400 XD'S - GEO 790 (RADIO)
		EAK0320J94D	V2300 / V2200 - GEO 670 / GEO 650 (NO RADIO)
19	1	EAC0090J83A	BRACKET - UA2, BEAM
20	1	EAC0090J95A	EXTRUSION - CAMERA, 2 X 7
21	2	EAC0105J16A	COVER - UA2, UHR
22	1	EAL0343J76A	ELECT/SERIAL LABEL
23	2	EAL0415J16A	VODI - UA2, UHR
24	2	EAM0023J47A	EXT-PLASTIC, CROSS BEAM
25	1	EAP0238J30C	HUB ASM. - PCB, V3D2
26	1	EAS2072J84A	PLATE - STRAIN RELIEF
27	1	EAS2105J61A	BRACKET - USB PCB, UA2
28	2	EAS2119J07A	PLATE - COVER, CAMERA
29	2	EAW0235J44A	CABLE ASSY-CAMERA, ULTRA
30	1	EAW0235J46A	CABLE ASSY - INTERFACE HUB, PC

TEEWAS53B3 - V3400 - 790 / V3450 - 795 / V2300 - 670 SPARE PARTS

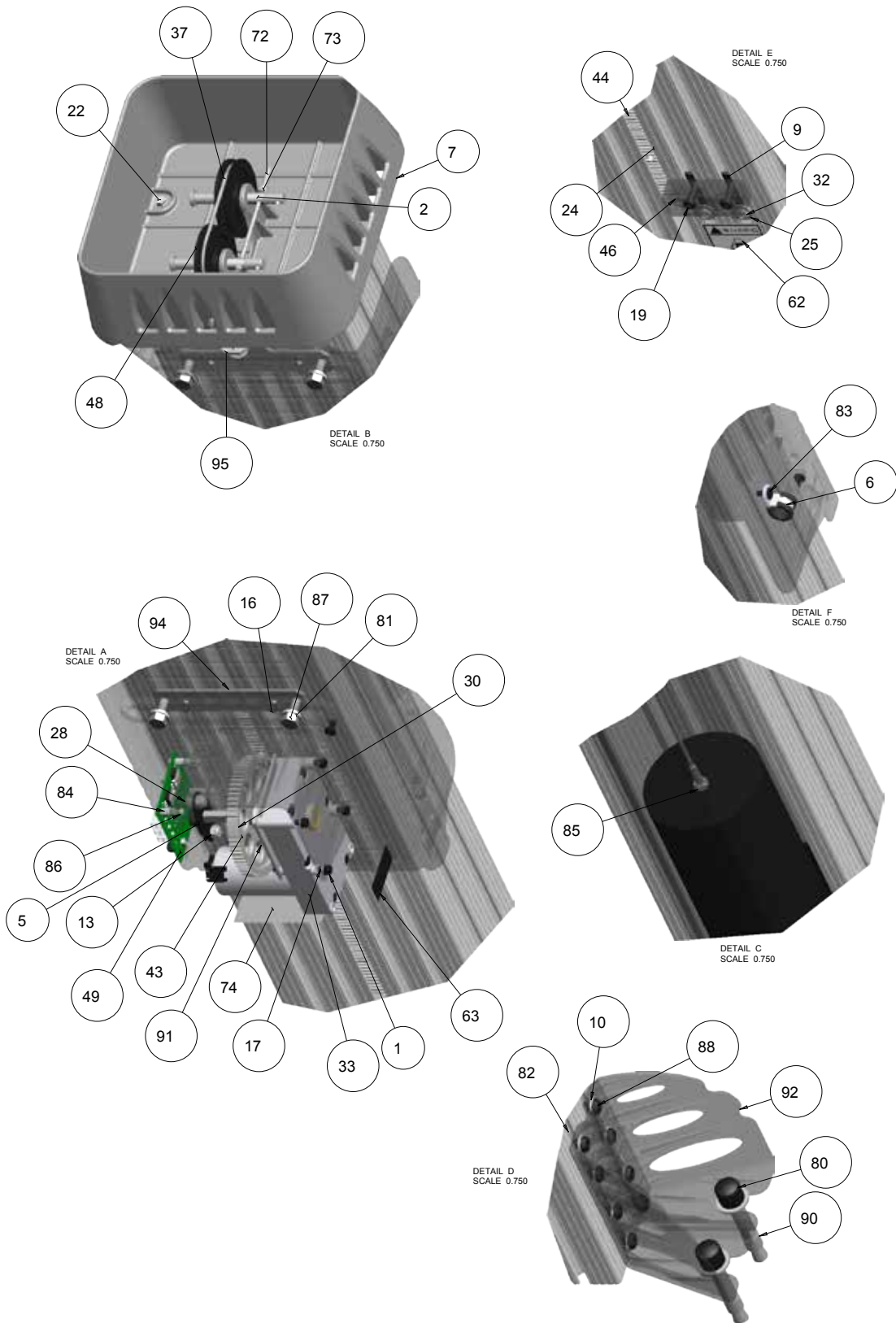
SUPPORT ASSEMBLY MOVEABLE BEAM EAA0321J19C



TEEWA553B3 - V3400 - 790 / V3450 - 795 / V2300 - 670 SPARE PARTS

SUPPORT ASSEMBLY MOVEABLE BEAM

EAA0321J19C



TEEWAS53B3 - V3400 - 790 / V3450 - 795 / V2300 - 670 SPARE PARTS

SUPPORT ASSEMBLY MOVEABLE BEAM

EAA0321J19C

SYM	REQ	PART NO	DESCRIPTION
1	4	1-53401A	SCREW - SHC, #10-32 X 1 3/4
2	2	1-03955A	CLEVIS PIN, ULTRA
3	1	EAA0361J60A	ASSY., COUNTERWEIGHT MOVEABLE BOOMM
4	3	5-10426A2	TAPE-VELCRO 1" LOOP
5	1	1-02863A	BEARING- FLANGE MTD
6	1	1-03382A	CLAMP METAL, 1/2
7	1	EAC0105J38A	BRACKET - CAST - TOP, UA2M
9	6	1-08508A	WELD NUT, DUAL TAB - 1/4-20
10	30	1-10041	WASHER - FLAT, 5/16
13	2	1-1437	NUT, NYLOCK #10-24
16	4	1-32806A	SCREW - PHMS #10-24 X 3/8
17	2	1-347	#10 INTERNAL TOOTH LOCKWASHER
19	5	1-44009A	SCREW-BHCS, 1/4-20 X 7/8
22	4	1-48701A	SCREW-HHW, #10-24 X 5/8,
24	12	1-2506	MSCR PNH #6-32 X 1/2
25	2	1-541	WASHER STEEL
27	3	1-6933	NUT & L/WASHER ASSY 4-40
28	2	1-7106	MSCR PNH #10-24 X 1/2
30	1	1-7433	NUT & L/WASHER ASSY, 1/4-20
32	2	1-806	MSCR PNH 1/4-20 X 3/8
33	1	2-44066A	GEAR MOTOR, 12V, ULTRA
37	1	EAA0321J17A	CABLE ASM.- ULTRA, WEIGHT
38	1	EAC0079J28A	COVER - MOTOR, ULTRA
39	1	EAM0054J64A	EXTRUSION - MAIN, 4 X 7
43	1	EAC0090J07A	SPUR GEAR- MOVEABLE, ULTRA
44	4	EAC0090J06A	RACK MOVE UA, IC
46	2	EAM0023J85A	STOP - LIMIT SWITCH
47	1	EAM0023J86A	COVER - CW, CUT ULTRA
48	2	EAM0044J05A	PULLEY- ULTRA MOVEABLE
49	1	EAP0238J60B	MOTOR CONTROL, ULTRA
56	1	EAW0235J47A	CABLE ASSY - ULTRA MOTOR CONTROLLER
57	1	EAW0259P01A	CABLE ASS'Y MOTOR DRIVE
58	5	6-0739	SHIM PLATE .06 THK
59	5	6-0740	SHIM PLATE .125 THK
60	1	8-28560A	SKID-CAMERA BEAM
61	1	8-28660A	CARTON-CAMERA BEAM ASSY
62	1	EAL0392J07A	LABEL- WARNING
63	1	EAL0392J11A	LABEL-PATENT EUROPE
64	1	8-36760A1	INSERT-CAMERA BEAM
72	1	1-30806A	SCREW-PHMS, 6-32 X 4,
73	1	1-737	NYLON INSERT NUT #6-32

TEEWA553B3 - V3400 - 790 / V3450 - 795 / V2300 - 670 SPARE PARTS

74	1	EAL0343J76A	ELECT/SERIAL LABEL
80	6	1-04476A	PLUG HOLE-NUT COVERS
81	4	1-06747A	5/16, LOCKWASHER, INTERNAL TOOTH
82	12	1-08039A	NUT-DOUBLE
83	3	1-10124A	SCREW - PHM, #10-14 THREAD FORM, TRI.
84	3	1-15761A	STANDOFF-3/16 HEX #4-40 X .50 MF
85	3	1-24533A	NUT - LOCK 1/4-20, THIN
86	3	1-27403A	PHMS, #4-40 X 3/8 W/ EXT LOCK WASH
87	4	1-52901A	SCREW - HEX HEAD 5/16-24 X 7/8"
88	24	1-54009A	SCREW - 5/16-18, BHC
89	1	5-2345	TIE - CABLE 4" LG X .10" WD
90	6	8-02440A	STUD ANCHOR BOLT, 1/2 X 3.75"
91	1	EAA0321J63A	PLATE ASM. - MOTOR LOCK, UA
92	3	EAC0090J85A	BRACKET - CAST, TOWER, VA
93	1	EAC0090J86A	BRACKET - SLIDE CAR, UA2M
94	1	EAS2105J63A	PLATE - UA2M, BRACKET
95	1	EAS2105J66A	BRACKET - UA2M, CABLE MTG.

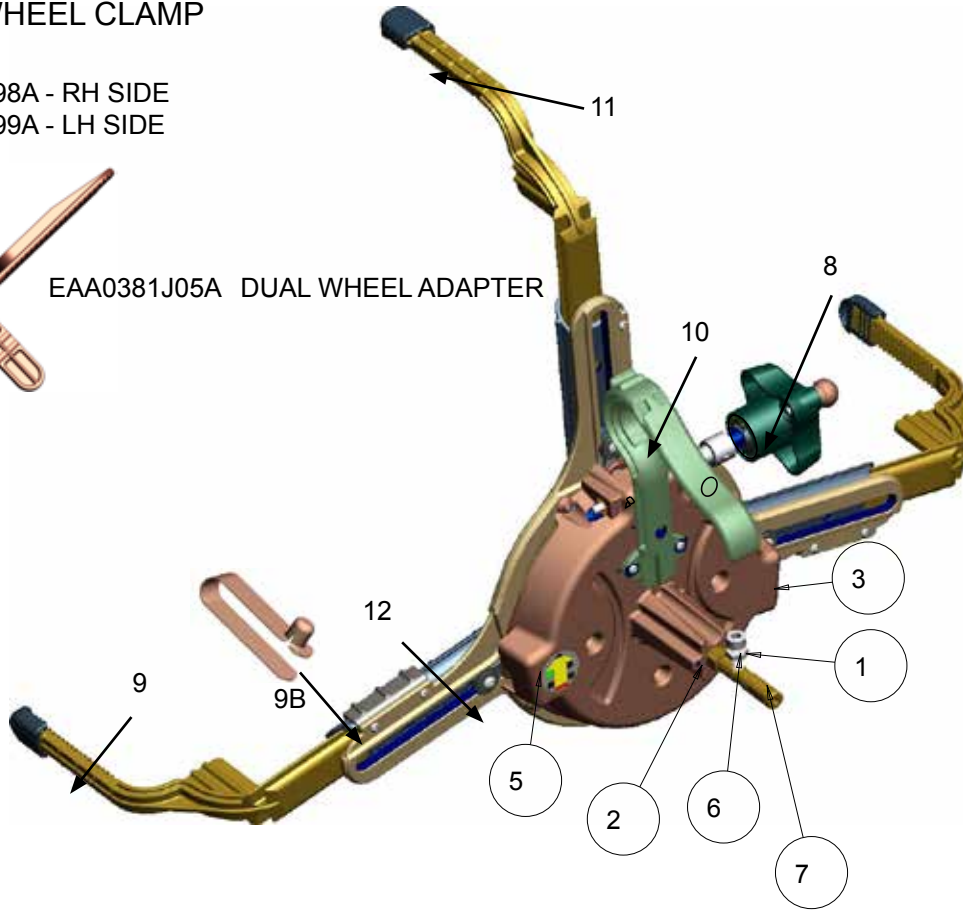
TEEWAS53B3 - V3400 - 790 / V3450 - 795 / V2300 - 670 SPARE PARTS

AC400 WHEEL CLAMP

EAA0361J98A - RH SIDE
EAA0361J99A - LH SIDE



EAA0381J05A DUAL WHEEL ADAPTER



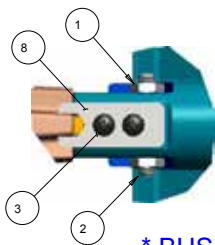
EAK0305J72A (FRONT) KIT PARTS LIST: (V3400)
PART NUMBER DESCRIPTION
EAA0381J34A XD TARGET ASM, FRONT
EAM0088J15A* BUSHING - AC400, SP



EAK0305J73A (REAR) KIT PARTS LIST: (V3400 / V2300)
PART NUMBER DESCRIPTION
[EAK0305J65A](#) [XD TARGET ASM, REAR](#)
EAM0088J15A* BUSHING - AC400, SP



EAK0320J33A (FRONT) KIT PARTS LIST: (V2300)
PART NUMBER DESCRIPTION
[EAK0320J33A](#) [XD TARGET ASM, FRONT](#)
EAM0088J15A* BUSHING - AC400, SP



SYM	REQ	PART NO	DESCRIPTION
1	2	1-20733A	NUT - JAM, M8
2	2	1-54810A	SCREW - SET. M8 X 20mm, CONE PT
3	2	1-16006A	SCREW - PHM, M5 X 12mm
8	1	EAS2146J24A	PLATE - ANIT ROTATION, AC400

* BUSHING EAM0088J15A IS CONTAINED IN THE EAK0320J33A AND EAK0305J65A KITS

TEEWAA553B3 - V3400 - 790 / V3450 - 795 / V2300 - 670 SPARE PARTS

SYM	REQD	PART NO	DESCRIPTION
1	1	1-20733A	NUT - JAM, M8
2	2	1-62609A	SCREW - SHC, #6-32 X 1/2
3	1	EAA0361J99A	DNH - LEFT CLAMP ASM. DNH - RIGHT CLAMP ASM.
4	1	EAA0381J34A	XD TARGET ASM - FRONT
5	1	EAL0415J09A	DECAL - LEFT FRONT, INDICATOR
		EAL0415J10A	DECAL LEFT REAR
		EAL0415J11A	DECAL RIGHT REAR
		EAL0415J12A	DECAL RIGHT FRONT
6	1	EAM0007J19A	SCREW - SHC, M8 SPECIAL
7	1	EAM0088J15A	BUSHING - AC400, SP
8		EAA0381J12A	KIT - KNOB SERVICE
9		EAA0381J13A	BRACKET PAW - SVC KIT
9B		1-25752A	QUICK RELEASE BUTTON
10		EAC0105J78A	HANDLE
11		EAC0105J93A	AC400 BUMPER TIGER PAW (RUBBER TIP ONLY)
12		EAK0320J22A	PLASTIC WASHER REPAIR KIT (TSB WA-1185-1)

NOTE: There are NO Service items other than what is listed in this parts reference. At no time should a wheel clamp be disassembled in the field for repair.

ACCESSORIES

EAK0305J50A	KIT DUAL WHEEL ADAPTER (6)
EAA0381J05A	DUAL WHEEL ADAPTER (1)
EAK0222J83B	WHEELS OFF ADAPTER KIT

NOTE: Each kit below contains (4) clamps & (4) targets for a complete aligner

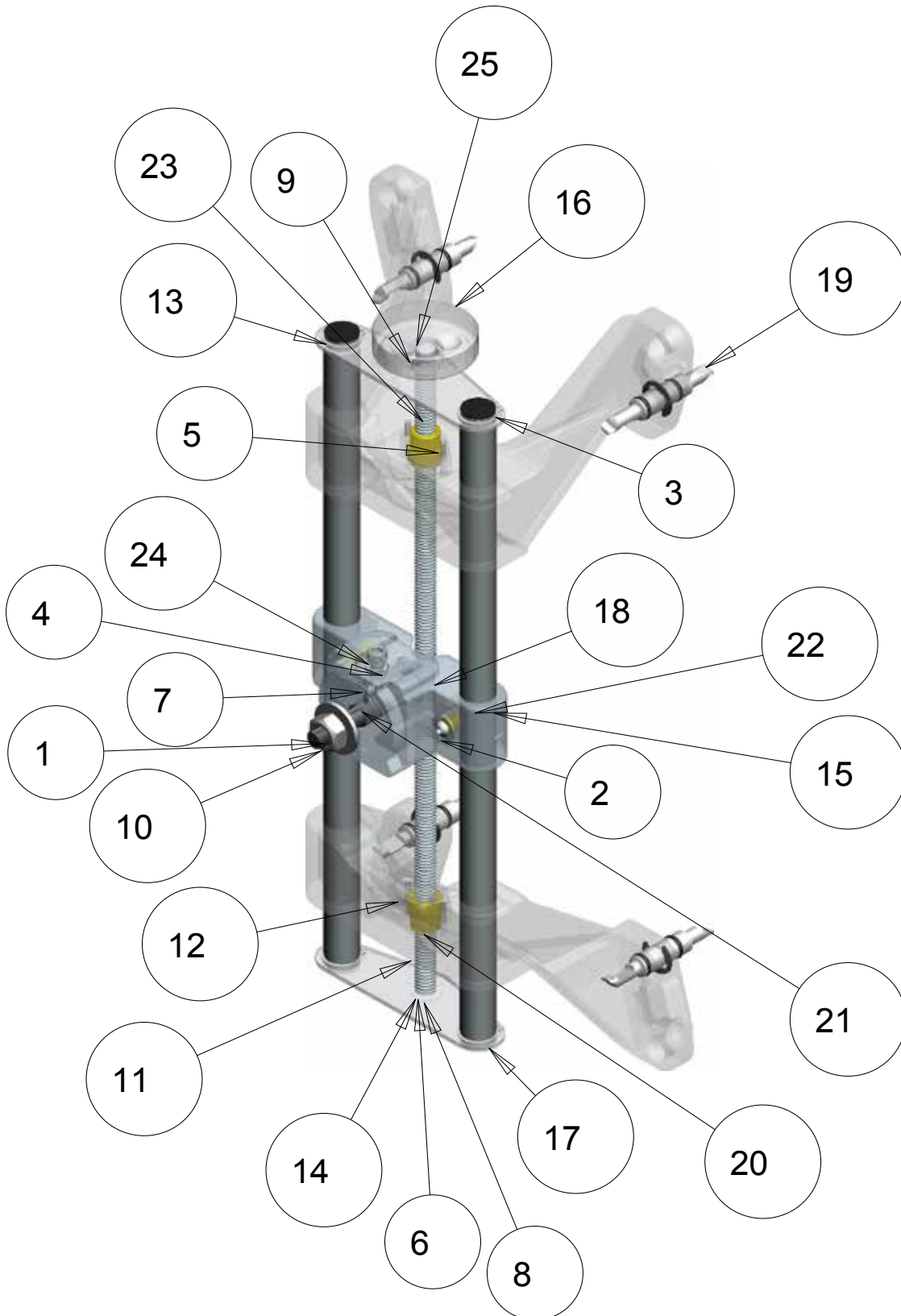
OPTIONAL CLAMP/TARGET KITS		
CLAMP	VALID FOR V3400 / 790	VALID FOR V2300/ 670
AC100	EAK0305J83A	EAK0320J36A
AC200	EAK0305J84A	EAK0320J34A
AC400	EAK0305J85A	EAK0320J35A

TEEWAS53B3 - V3400 - 790 / V3450 - 795 / V2300 - 670 SPARE PARTS

WHEEL CLAMP

EAK0268J56A - WHEEL CLAMP LONG (NA) AC200

EAK0268J78A - WHEEL CLAMP SHORT (EURO) AC100



TEEWA553B3 - V3400 - 790 / V3450 - 795 / V2300 - 670 SPARE PARTS

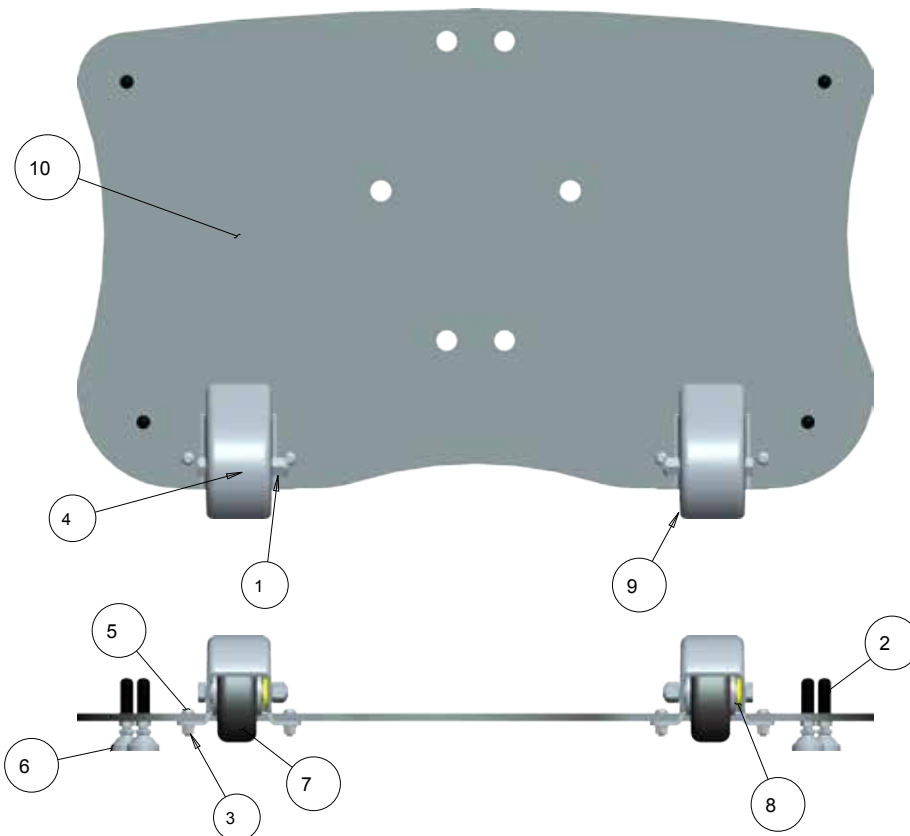
SYM	REQ	PART NO	DESCRIPTION
1	1	1-1041	WASHER - FLAT, 1/2
2	3	1-14144A	WASHER-FLAT, M6
3	8	1-17677A	RETAINING RING
4	1	1-20733A	NUT - JAM, M8
5	4	1-28103A	MSCR, PH FLH M4 X 25MM
6	1	1-3447	M6 LOCKWASHER, INTERNAL TOOTH
7	1	1-37410	SCREW-SET M3 X .5 X 10MM, CUP PT.
8	3	1-50309A	SCREW-BHCS M6X10MM
9	1	1-6152	PIN-STRAIGHT SLOTTED M4 X 20MM
10	1	1-933	NUT-HEX, 1/2-13
11	2	EAC0079J48A	BRACKET-LONG WHEEL CLAMP (FRONT)
12	2	EAC0079J50A	COVER-FEED SCREW LOCK
13	2	EAC0079J51A	PLUG - PLASTIC, 19MM HOLE
14	2	EAC0079J52A	WASHER-THRUST PLASTIC PLASTIC, 19MM HOLE
15	1	EAC0079J53A	CENTER SLIDE BRACKET
16	1	EAM0044J13A	KNOB HAND WHEEL
17	2	EAM0044J14A	TUBE-WHEEL CLAMP LONG (NA)
		EAM0044J64A	TUBE-WHEEL CLAMP SHORT (EURO)
18	1	EAM0044J16A	SCREW-DOUBLE LEAD LONG (NA)
	1	EAM0044J65A	SCREW-DOUBLE LEAD SHORT (EURO)
19	4	EAM0044J19A	GRABBER ASM.
20	1	EAM0044J20A	BUSHING-THREADED BRASS RH
21	1	EAM0044J21A	CENTER STATIONARY
22	2	EAM0044J22A	PIN-TUBE LOCK
23	1	EAM0044J24A	BUSHING THREADED BRASS LH
		EAM0044J20A	BUSHING THREADED BRASS RH
24	1	EAM0044J47A	SCREW - SHCS M8X30 FULL THD
25	2	EAS2084J29A	PLATE-RETAINER

PART NUMBER	DESCRIPTION
1-08584A	CORD – BUNGEE, BLACK 16”
EAK0268J41B	GRABBER KIT – DUAL END
EAC0105J35A	COVER-RUBBER, V3D

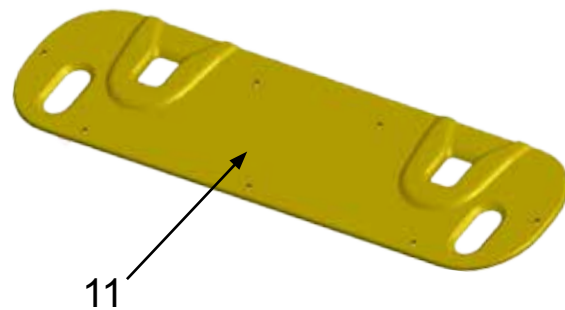
TEEWAS5383 - V3400 - 790 / V3450 - 795 / V2300 - 670 SPARE PARTS

KIT - V3450 / GEO 795 DOCKING BASE

EAK0305J98A - AUDIT BASE KIT



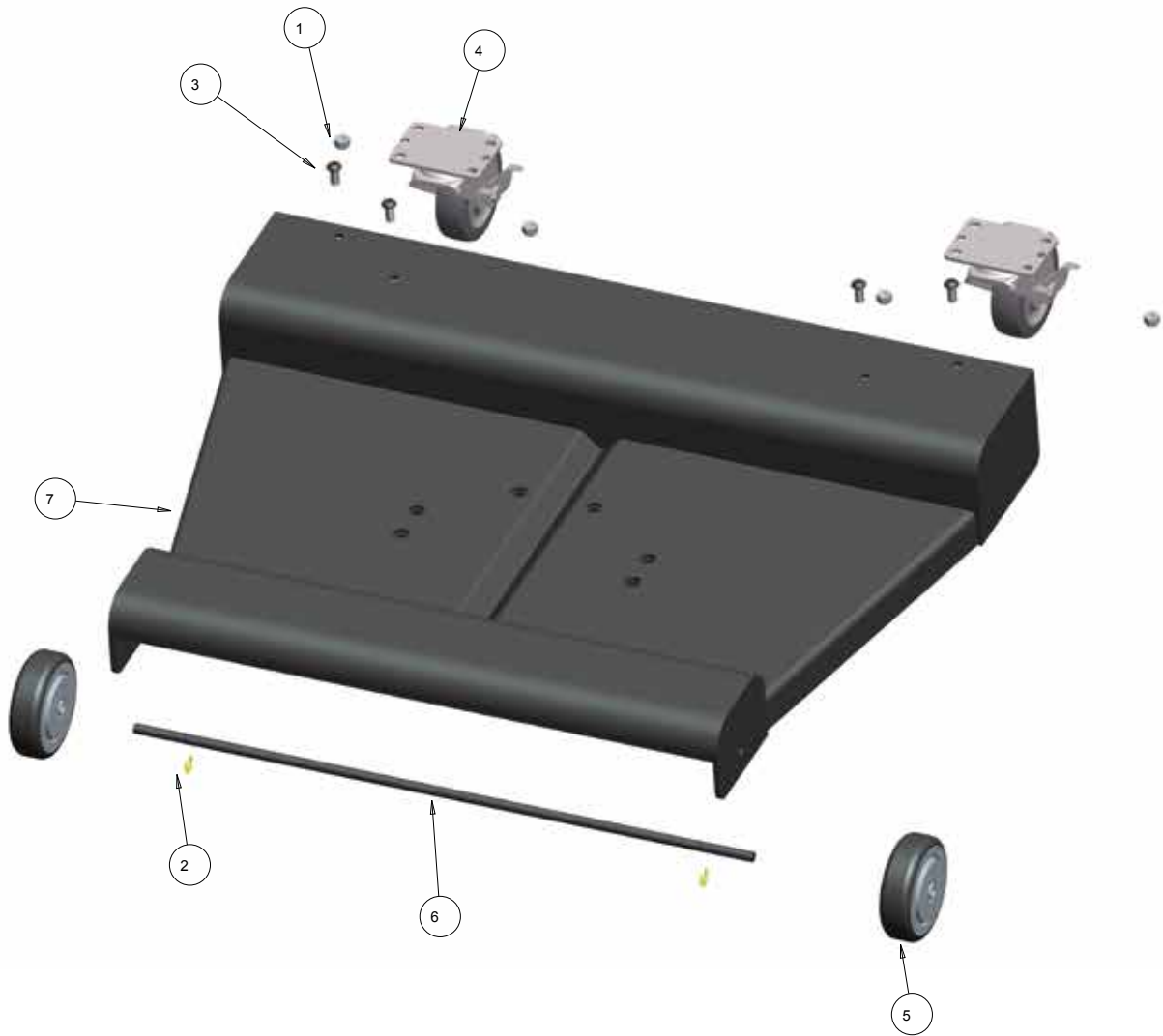
SYM	REQ	PART NO	DESCRIPTION
1	2	1-03237A	NUT-LOCKING, 3/8"-16
2	4	1-12276A	CAP-VINYL, .304 X 1.0LG
3	4	1-13733A	BARB NUT M6
4	2	1-601	HEX HEAD MACH SCREW 3/8-16X2.5
5	4	1-62709A	SCREW-M6X1 18MM, BTN HEAD
6	4	8-14618A	FOOT - SELF LEVELING, M8X1.25
7	2	8-31739A	WHEEL 3.0" DIA
8	4	1107383	WASHER - FLAT, 3/8
9	2	EAC0116J16A	WHEEL COVER - CAST
10	1	EAS2146J16A	PLATE - PORTABLE BASE
11	1	EAC0116J29A	DOCKING PAD MOBILITY KIT
NS	14	1-27184A	DRIVE ANCHOR - 1/4" X 1.0" LG



TEEWA553B3 - V3400 - 790 / V3450 - 795 / V2300 - 670 SPARE PARTS

KIOSK PORTABLE BASE

EAK0320J41A

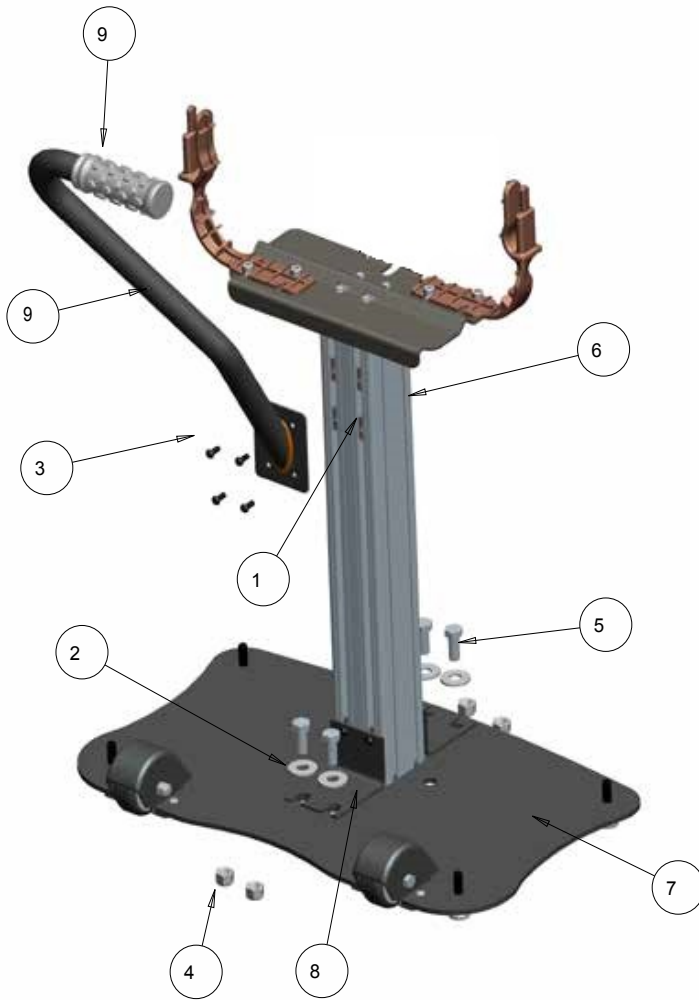


SYM	REQ	PART NO	DESCRIPTION
1	4	1-03337A	NUT - NYLON INSERT
2	2	1-2577A	RETAINING RING
3	4	1-63409A	SCREW
4	2	8-28939A	CASTOR - SWIVEL
5	2	8-33039A	WHEEL 4.0 DIA
6	1	EAM0088J59A	ROD - WHEEL
7	1	EAS2146228A	PORTABLE BASE
N/S	2	8-12333A	PULL HANDLE, OFFSET

TEEWAS5383 - V3400 - 790 / V3450 - 795 / V2300 - 670 SPARE PARTS

PORTABLE AC400 CLAMP STAND

EAK0363J76D



SYM	REQ	PART NO	DESCRIPTION
1	8	1-08508A	WELD NUT, DUAL
2	4	1-13741A	WASHER
3	8	1-2509	SCREW
4	4	1-03137A	NUT
5	4	1-56101A	SCREW
6	1	EAA036168A	ASSY. TARGET POST
7	1	EAA0395J01A	PORTABLE BASE
8	2	EAS2146J29A	BRACKET
9	1	EAA0395J33A	HANDLE
10	1	1-28184A	HANDLE GRIP

Note: Kit Audit Full Portability EAK0320J42A contains

- 1 EAK0320J40A
- 1 EAK0320J41A
- 1 EAK0305J98A

TEEWA553B3 - V3400 - 790 / V3450 - 795 / V2300 - 670 SPARE PARTS

BLANK PAGE

TEEWAS53B3 - V3400 - 790 / V3450 - 795 / V2300 - 670 SPARE PARTS

Snap-on
309 Exchange Ave.
Conway, AR 72032
501-450-1500

Notice: The information contained in this document is subject to change without notice. Snaon makes no warranty with regard to this material. Snaon shall not be liable for errors contained herein or for incidental consequential damages in connection with furnishings, performance, or use of this material.

This document contains proprietary information which is protected by copyright and patents. All rights are reserved. No part of this document may be photocopied, reproduced, or translated without prior written consent of Snaon.