

PORTABLE IMAGE

WHEEL ALIGNER



Parts Manual

All information contained or disclosed in this document is considered confidential and proprietary by Snap-on Equipment. All manufacturing, use, reproduction, and sales rights are reserved by Snap-on Equipment and the information contained herein shall not be used in whole or in part without the express written consent of Snap-on Equipment.

Table of Contents

ALIGNER ASSEMBLY.....	2
CABINET ASSEMBLY	3
PC IN A BOX ASSEMBLY	4
POD ASSEMBLY	5
WHEEL CLAMP ASSEMBY	6
TARGET ASSEMBLY SERVICE.....	8
WAP.....	9
CALIBRATION HARDWARE.....	10

ALIGNER ASSEMBLY

EEWA557AL - JBC / EEWA717AL - Hofmann (North America)

EEWA555AL - JBC / EEWA719AL - Hofmann (Europe)

QTY	PARTNUMBER	DESCRIPTION
1	EAL0392J66A	DECAL-JBC 9 IN
1	EAL0343J05A	DECAL-HOFMANN
1	EAL0392J78A	DECAL - GEOLINER 550
1	EAL0392J76A	DECAL-PRISM CONSOLE EL
1	EAK0268J05A	PRINTER KIT-USB
1	3-03506A	PRINTER-COLOR INKJET
1	00088910000	PRINTER-PAPER 1146030
1	6-02422B6	CABLE-USB 6' A MALE TO B MALE
1	5-10426A1	TAPE-HOOK VELCRO #88
1	5-10426A2	TAPE-LOOP VELCRO #1000
1	00089209000	CORD-POWER ADAPTER 12
1	88931000	POWER CORD/LABEL ASS'Y 115V
1	EAL0392J61A	PAD-MOUSE
1	EAK0277J82A	LIT PACK-GENERIC
1	96000	DEPRESSOR ASS'Y-PEDAL
1	55502000	CLAMP ASS'Y-WHEEL STEERING
1	EAA0337J81D	CABINET-EL BASIC JBC
1	EAA0353J09B	CABINET-EL BASIC HOFMANN
1	EAK0289J59A	MONITOR-17" LCD
1	EAA0353J93A	PC ASSY-GENERIC - PRISM JBC / HOFMANN
1	3-40426CF1	SFTWR-KEY DISK,JBC
1	3-40626CF1	SFTWR-KEY DISK, HOF
1	EAK0289J22A	KIT-CLAMP BRACKET (4)
2	EAC0090J82A	CHOCK-WHEEL
	EAK0289J78A	KIT - MOUSE / KEYBOARD
	2-02639A	BLUETOOTH RADIO - USB
	EAS2119J03A	MONITOR - MOUNTING BRACKET

CABINET ASSEMBLY

EAA0337J81D

EAA0353J09B



- 2 8-28839A CASTOR-SWIVEL 4"
- 2 8-28939A CASTOR-SWIVEL 4" WITH BRAKE
- 1 111245 LABEL-CAUTION, ELECTRICAL
- 1 8-11133A HANDLE- PC/PRINTER SHELF DOORS
- 1 EAS2091J94A DOOR WLDMT PC SHELF



PC IN A BOX ASSEMBLY
EAA0353J93AU



2-18451A	FUSE-5A SLO BLO
86164000	LABEL-FUSE
86465000	LABEL-WARNING SHOCK
111245000	LABEL-CAUTION ELECT
EAL0345P51A	LABEL-FUSE 5A
EAL0345P54A	LABEL-ELECTRICAL WARNING

POD ASSEMBLY

FIELD SERVICE KITS

EAK0289J43AU - SENSOR POD KIT, JBC

EAK0289J44AU - SENSOR POD KIT, HOFMANN

EAK0289J34AU Sensor Pod Kit, (No brand)

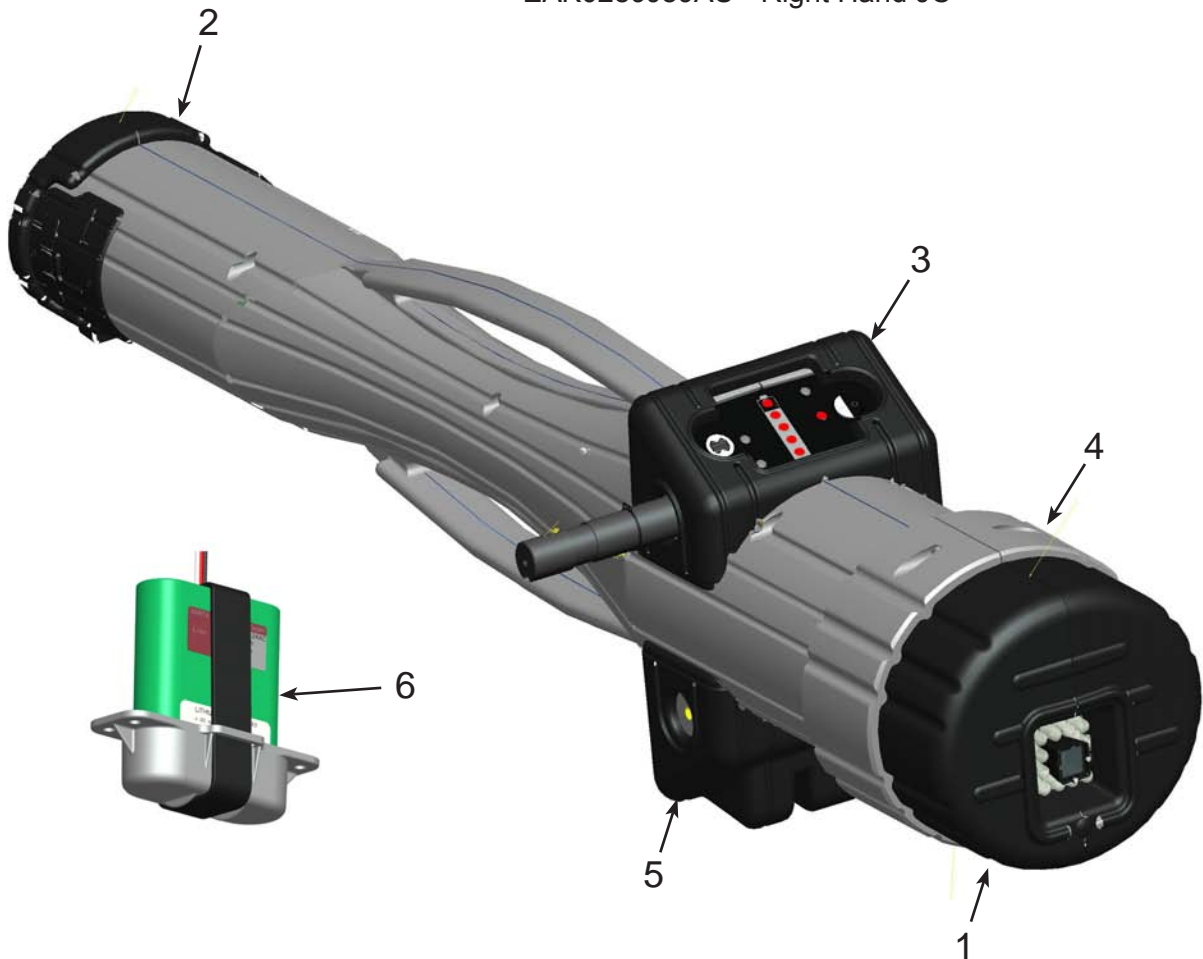
SINGLE POD REPLACEMENTS

EAK0289J87AU - Left Hand Hofmann

EAK0289J90AU - Right Hand Hofmann

EAK0289J88AU - Left Hand JBC

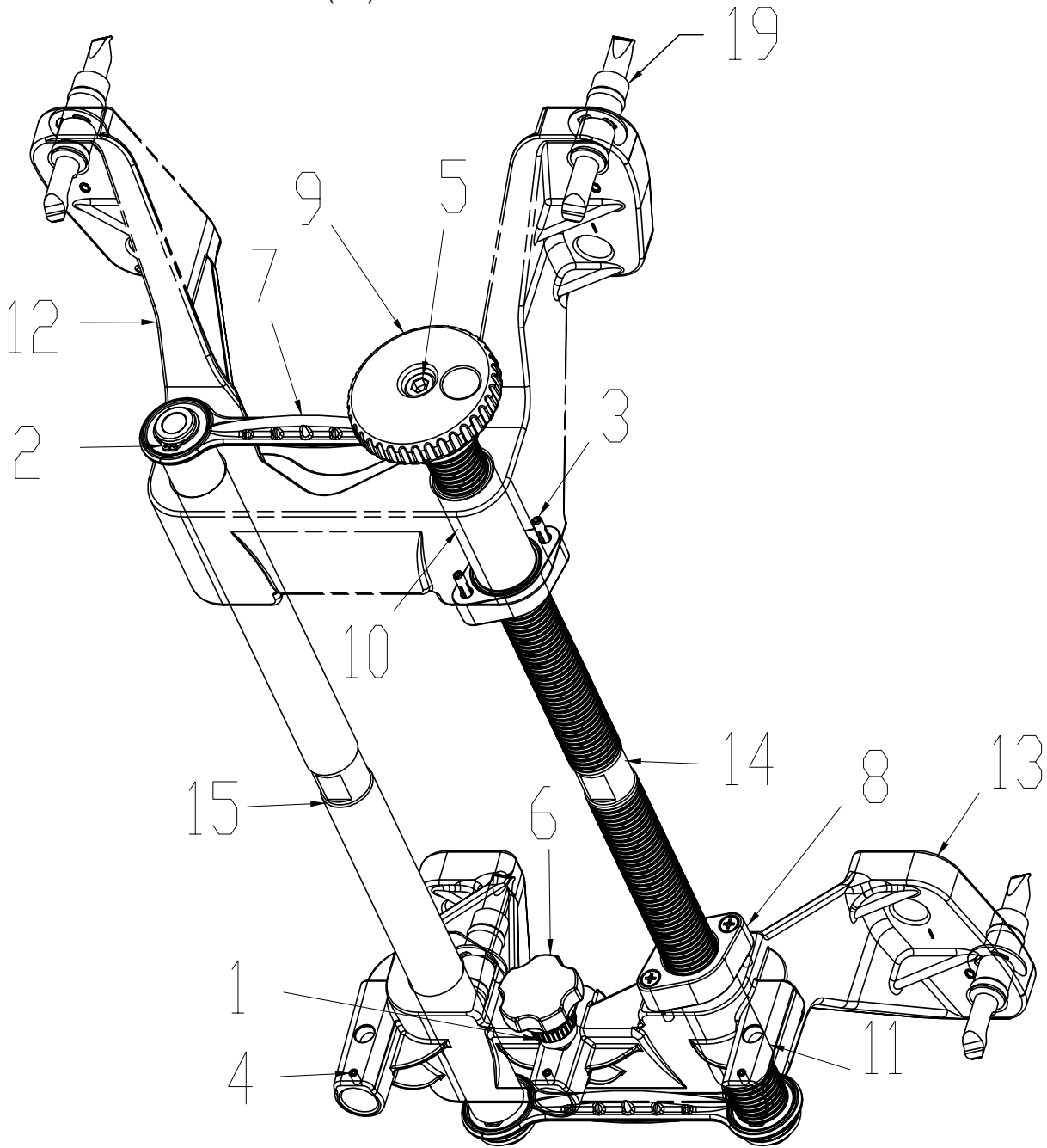
EAK0289J89AU - Right Hand JC



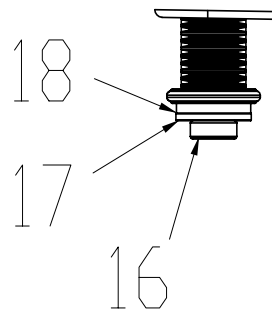
ITEM	REQD	PART NO	DESCRIPTION
1	1	EAC0090J40A	BUMPER - COVER. CAMERA
2	1	EAC0090J41A	BUMPER - CROSS TOE
3	1	EAC0090J44A	PIVOT BUMPER
4	2	EAM0054J55A	CW - OUTSIDE,
5	1	EAC0090J81A	BUMPER LOWER BATTERY
6	1	EAK0289J46A	BATTERY PACK SVC KIT

NOTE: NO FIELD SERVICE PARTS INSIDE OF POD

WHEEL CLAMP ASSEMBLY
EAK0289J15A - EUROPE (EUR)
EAK0289J11A - NORTH AMERICA (NA)



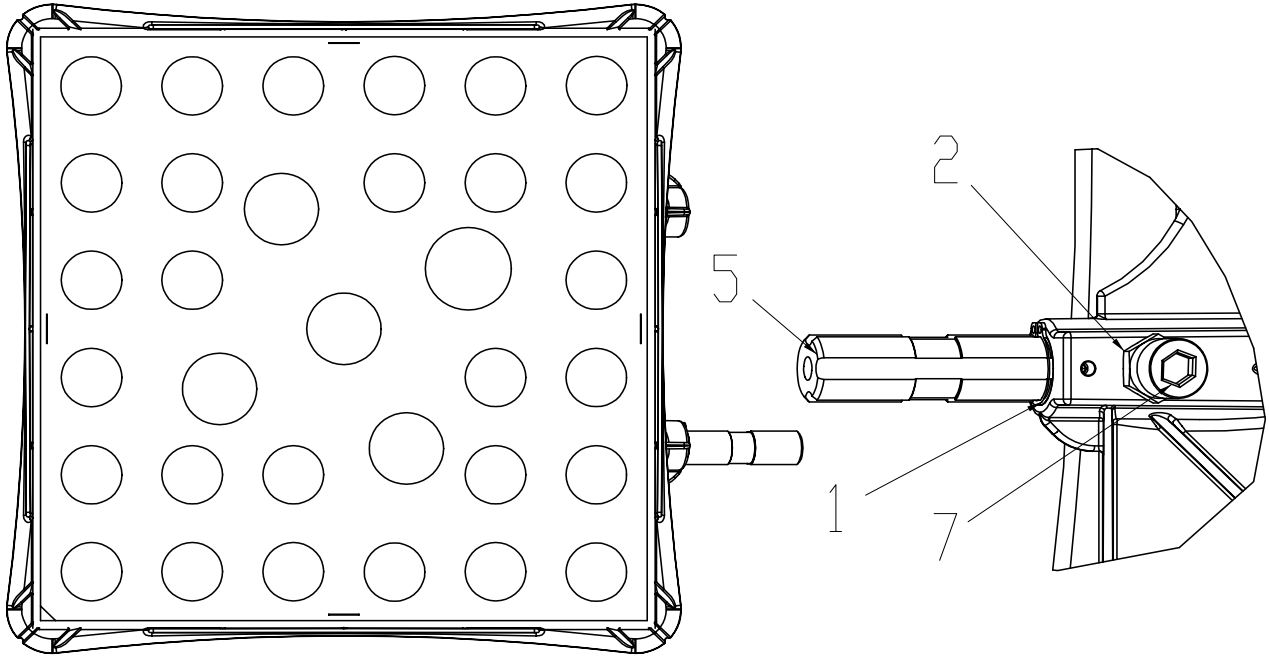
NOTE: KIT CONTAINS WHEEL CLAMP,
4 GRABBERS & BUNGEE CORDS



SYM	REQD	PART NO	DESCRIPTION
1	1	1-02612A	M8 THUMB SCREW
2	6	1-20077A	RETAIN - RING, WC
3	4	1-34806A	SCREW - FLAT PHM, M4 X 25MM
4	3	1-53110A	SCREW-SET M3 X .5 X 6MM, CUP PT.
5	1	1-55909A	SCREW - SHC, M8 X 35MM
6	1	EAC0055J46A	KNOB-SHAFT CLAMP
7	2	EAC0090J50A	BRACKET - GUIDE ROD
8	2	EAC0090J52A	COVER - HOLDER, BUSHING
9	1	EAC0090J56A	KNOB - CAST, WC
10	1	EAM0054J26A	BUSHING - WC, RIGHT
11	1	EAM0054J27A	BUSHING - WC, LEFT
12	1	EAM0054J39A	BRACKET - UPPER, LONG
13	1	EAM0054J41A	BRACKET - LONG. LOWER, WC
14	1	EAM0054J58A	ROD - LEAD SCREW MACH. - EUR
	1	EAM0054J49A	ROD - LEAD SCREW MACH. - NA
15	1	EAM0054J59A	ROD - GUIDE, MACH., EUR
	1	EAC0090J58A	ROD - GUIDE, MACH., NA
16	2	1-47709A	SHCS - M10 X 20MM
17	2	1-5741	WASHER, PLAIN 3/8
18	2	EAS2105J11A	WASHER - SPACER, WC
*	1	EAK0289J40A	STABILIZER KIT
*	2	EAK0222J40A	DUAL WHEEL ADAPTER
*	2	EAK0289J85A	DROP DOWN ADAPTER
*	1	EAK0268J41A	WHEEL GRABBER KIT (4 GRABBERS) NOT PART OF WHEEL CLAMP ASSEMBLY
	1	1-08584A	BUNGEE CORD (NOT PART OF WHEEL CLAMP ASSEMBLY)

* ITEMS ARE OPTIONS FOR WHEEL CLAMPS

TARGET ASSEMBLY SERVICE
 EAK0289J13A - KIT - TARGET ASSY. SVO LEFT



SYM	REQD	PART NO	DESCRIPTION
1	1	1-13677A	RING-RETAINING
2	1	1-20733A	NUT - JAM, M8
5	1	EAM0047J79A	SHAFT - TARGET, 10"
7	1	EAM0054J48A	SCREW - SHAFT TARGET

NOTE: THE SHAFT CAN BE MOVED IN THE HOUSING TO CONVERT THE LEFT TARGET TO A RIGHT TARGET.

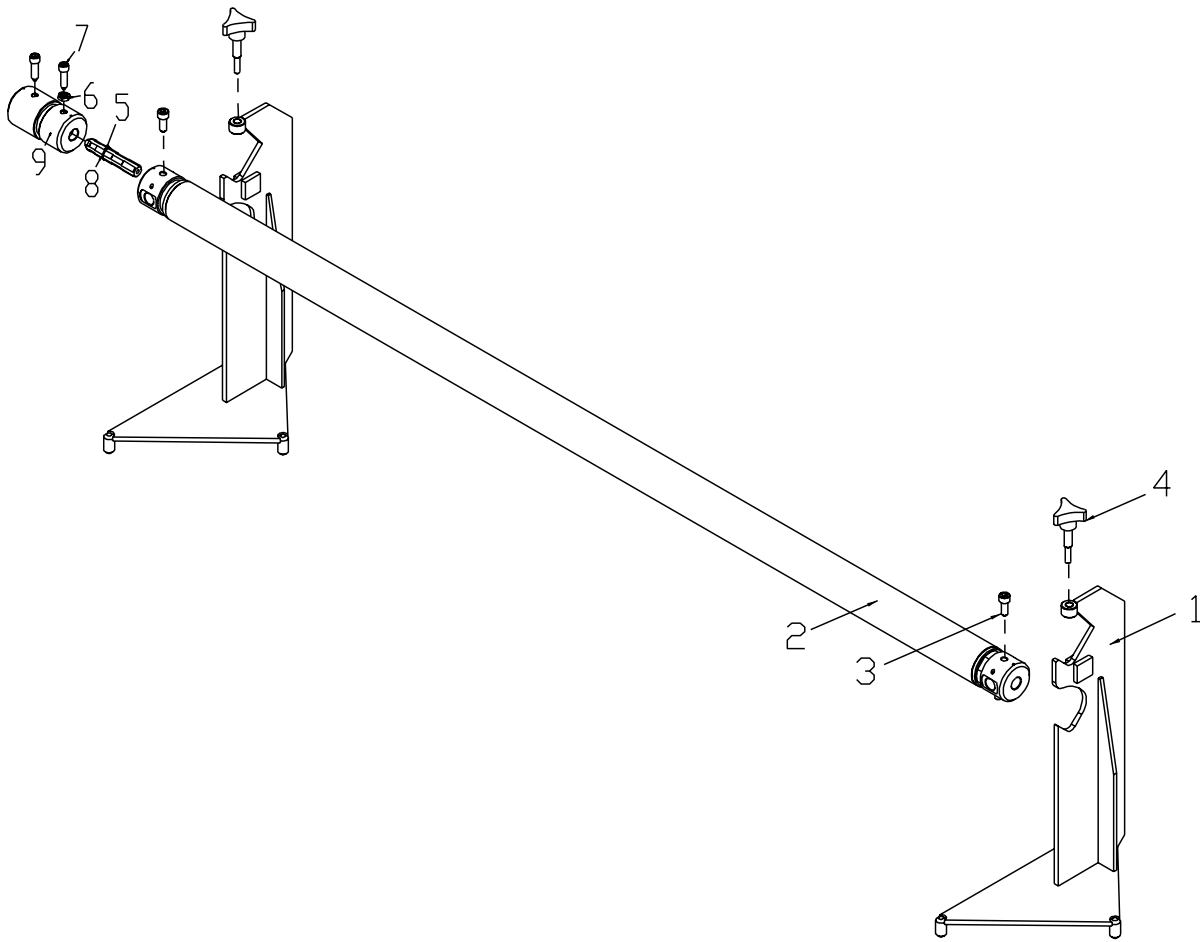


EAK0289J45A - WAP SERVICE KIT (ALIGNER SN EB - KC)
EAW0235J70A CHARGING CABLE ASSEMBLY
2-50166A - POWER SUPPLY (BRICK TYPE)

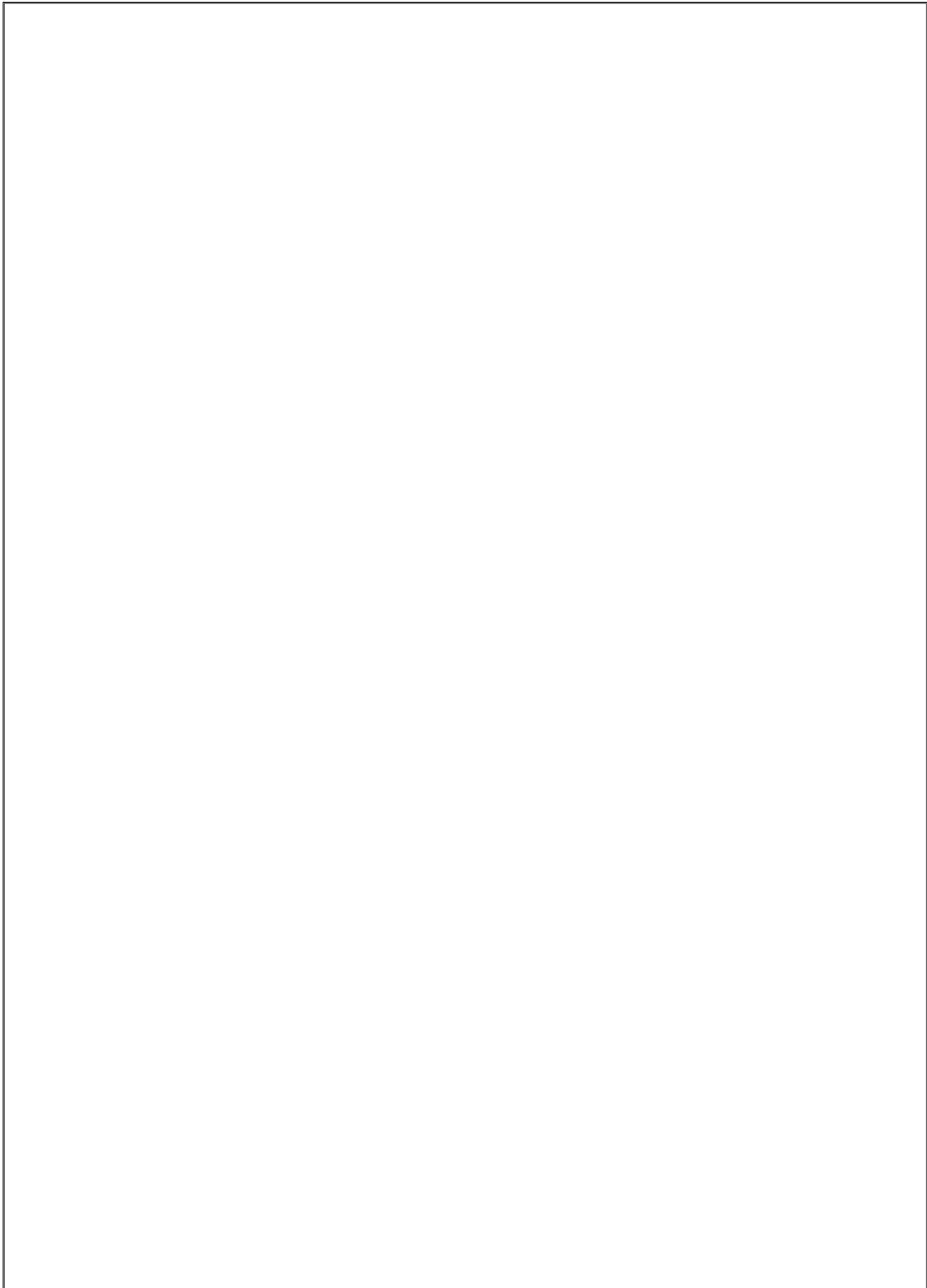
NOTE: NO FIELD SERVICE PARTS INSIDE WIRELESS ACCESS ASSEMBLY

2-02639A - BT RADIO (ALIGNER SN LC THRU CURRENT)
2-55466A - POWER SUPPLY (WALL WART)
2-55566A - Y-CABLE
2-55666A - US RECEPTACLE
2-55766A - UK RECETACLE
2-55866A - EU RECETACLE
2-55966A - AU RECETACLE

CALIBRATION HARDWARE



REF	QTY	PART NUMBER	DESCRIPTION
*	1	EAK0222J02A	CALIBRATION BAR & STANDS(IEMS 1,2,3,4)
1	2	EAA0256J17A	CALIBRATION STAND
2	1	EAC0055J11A	BAR ASS'Y - CALIBRATION
3	2	EAM0007J19A	SCREW - SHAFT CLAMP
4	2	EAM0007J34A	KNOB, CLAMP - CALIBRATION BAR
*	1	EAK0289J42A	CALIBRATION BAR ADAPTER KIT(IEMS 5,6,7,8,9)
5	1	1-13677A	RING-RETAINING
6	1	1-20733A	NUT - JAM, M8
7	2	EAM0007J19A	SCREW - SHAFT CLAMP
8	1	EAM0047J79A	SHAFT - TARGET, 10"
9	1	EAM0054J73A	ADAPTER - CAL. BAR, PRISM



Notice: The information contained in this document is subject to change without notice. Snacon Equipment makes no warranty with regard to this material. Snacon Equipment shall not be liable for errors contained herein or for incidental consequential damages in connection with furnishings, performance, or use of this material.

This document contains proprietary information which is protected by copyright and patents. All rights are reserved. No part of this document may be photocopied, reproduced, or translated without prior written consent