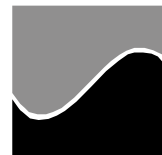


geoliner 460/480/482

Parts list



HOFMANN®



Date 09/18/06

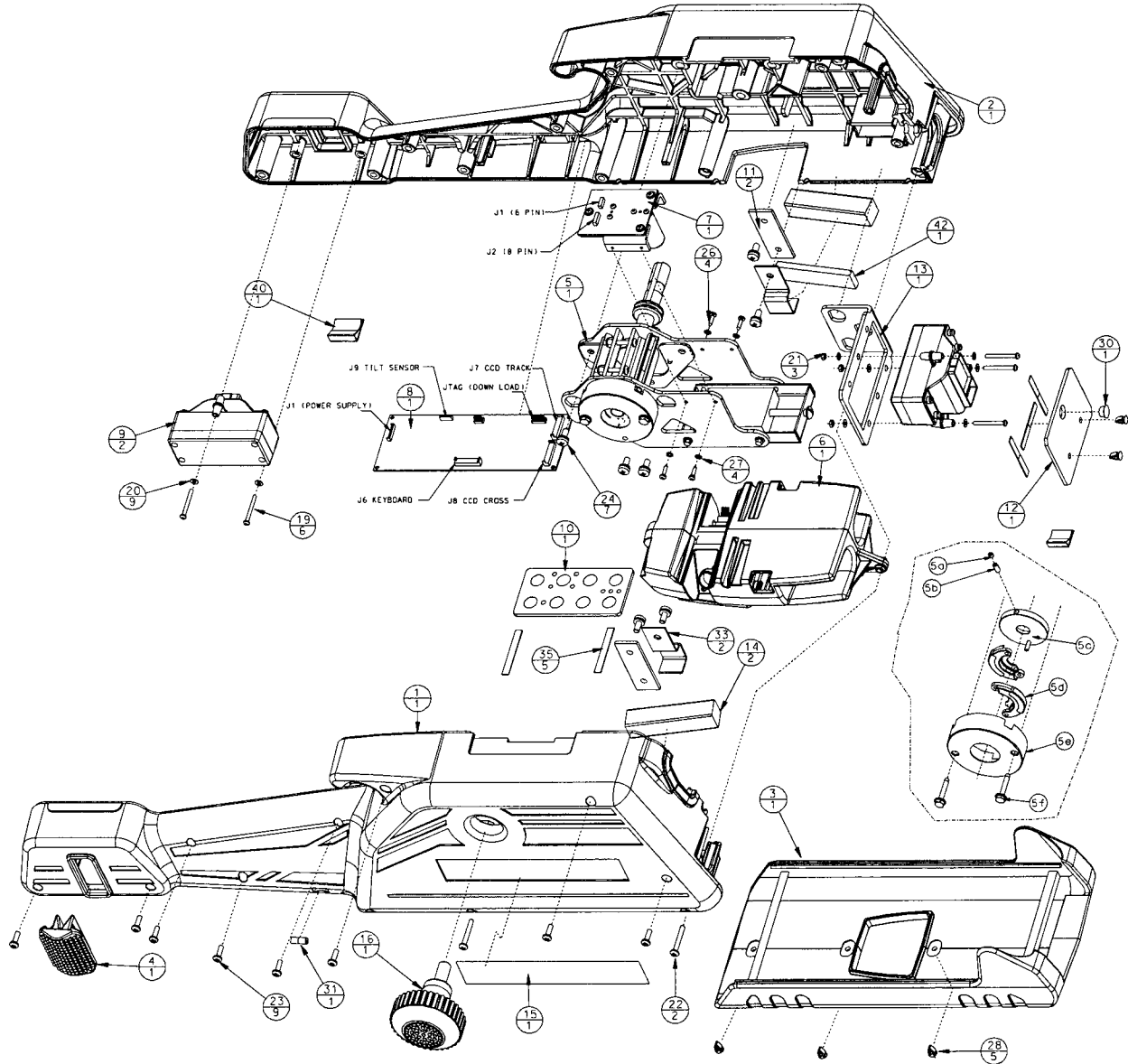
8 Sensor Front Version I

Used up to July 05 GY

EAK0256J53A Left Hand Corded
EAK0256J54A Right Hand Corded

EAA0305J07A Left Hand Cordless (With version I cordless modules)
EAA0305J08A Right Hand Cordless

EAK0256J83A Left hand Cordless (With version II cordless modules)
EAK0256J84A Right Hand Cordless



8 Sensor Front Version I

Ref	Qty	Part Number	Description
		EAK0256J98A	Head Cover Kit Left & Right hand – ref # 1 & 2
1	1		Head Cover, Lh (Not available separately order kit above)
2	1		Head Cover, Rh (Not available separately order kit above)
3	1	EAC0055J35A	Bumper - Head, Main
4	1	EAC0055J29A	Front Bumper
5	1	EAS2022J12A	Skeleton Assembly - Head, Lh
	1	EAS2022J54A	Skeleton Assembly - Head, RH
	2	1-2163	Bearing - 1.375 od x. 6id x .436 thk
*	1	EAM0007J27A	Spacer - extrusion,Skeleton
*	1	EAC0055J15A	Shaft - stub,Head
5d	2	EAC0055J17A	Brake Shoe
*	2	EAS2022J00A	Plate - skeleton
*	1	EAS2022J02A	Bracket - counterweight
*	1	EAS2022J03A	Weight - counter
*	1	EAS2022J04A	Thread Rod - counterweight
*	1	EAS2022J05A	Plate - retain, Skeleton
5c	1	EAA0305J58A	Collar - Shoe Retainer with Dowel Pin
5e	1	EAM0023J71A	Collar - Brake Drum
*	1	EAC0055J14A	Tube - spacer
*	1	1-06968A	Spring - compression,. 12od
*	3	1-13677A	Retaining Ring - sh59
5b	1	1-39010A	Screw - set, M4 x.7 x 10mm, Cup Pt
*	1	1-17552A	Dowel Pin - m2 x 12mm, Alloy Stl,Zn
*	1	1-01637A	Nut - esna, M6 x 1mm, Zinc
*	6	1-03425A	Screw - m4 x .7 x 8mm, Self Tap, Zinc
*	8	1-3225A	Screw - m5 x .8 x 20mm, Slftp, Hx Hd, Z
5a	1	1-38610	Screw - set, M4 x .7mm x 4mm, Cup Pt
5f	2	1-01315A	Bolt - hhw, 10 - 14, Semi Cup Pt
*	2	1-24906A	Screw - phms, M4 x .7mm x 30mm, Zinc
*	2	1-01737A	Nut - esna, M4, Zinc
*	8	1-4647	Washer - internal Tooth, M5
6	1	EAA0256J09A	Module Assembly - Corded, Lh
	1	EAA0256J10A	Module Assembly - Corded, RH
*	1	EAC0055J26A	Module - RF/Con., RH
*	1	EAC0055J27A	Module - RF/Con., LH
*	1	EAS2022J46A	Plate - Con
*	2	1-16523	Screw - PHMS, M2.9 X 1 X 9.5MM, Self tap
*	3	1-24206A	Screw - PHMS, M3 X 0.5 X 16MM
*	1	EAL0343J17A	Label - Cover,
*	1	1-3776A	Plug - Dome, 2673
7	1	EAK0256J35A	Tilt Assembly - Sensor EAE0049J07A
	3	1-11241	Washer - Flat M3
	3	1-16623	Screw - PHMS, M2.9 X 1 X 13MM, Self Tap
	3	1-09162A	Spacer - .5MM OD X 3.2 MM ID X 5MM HT
	1	EAS2022J01A	Bracket - Tilt
8	1	EAP0196G20A1	Pcb Assembly - Head
9	2	EAA0256J05A	Pod Assembly - CCD receiver/transmitter
*	2	EAW0235J18A	CCD cable

* Parts not shown in assembly

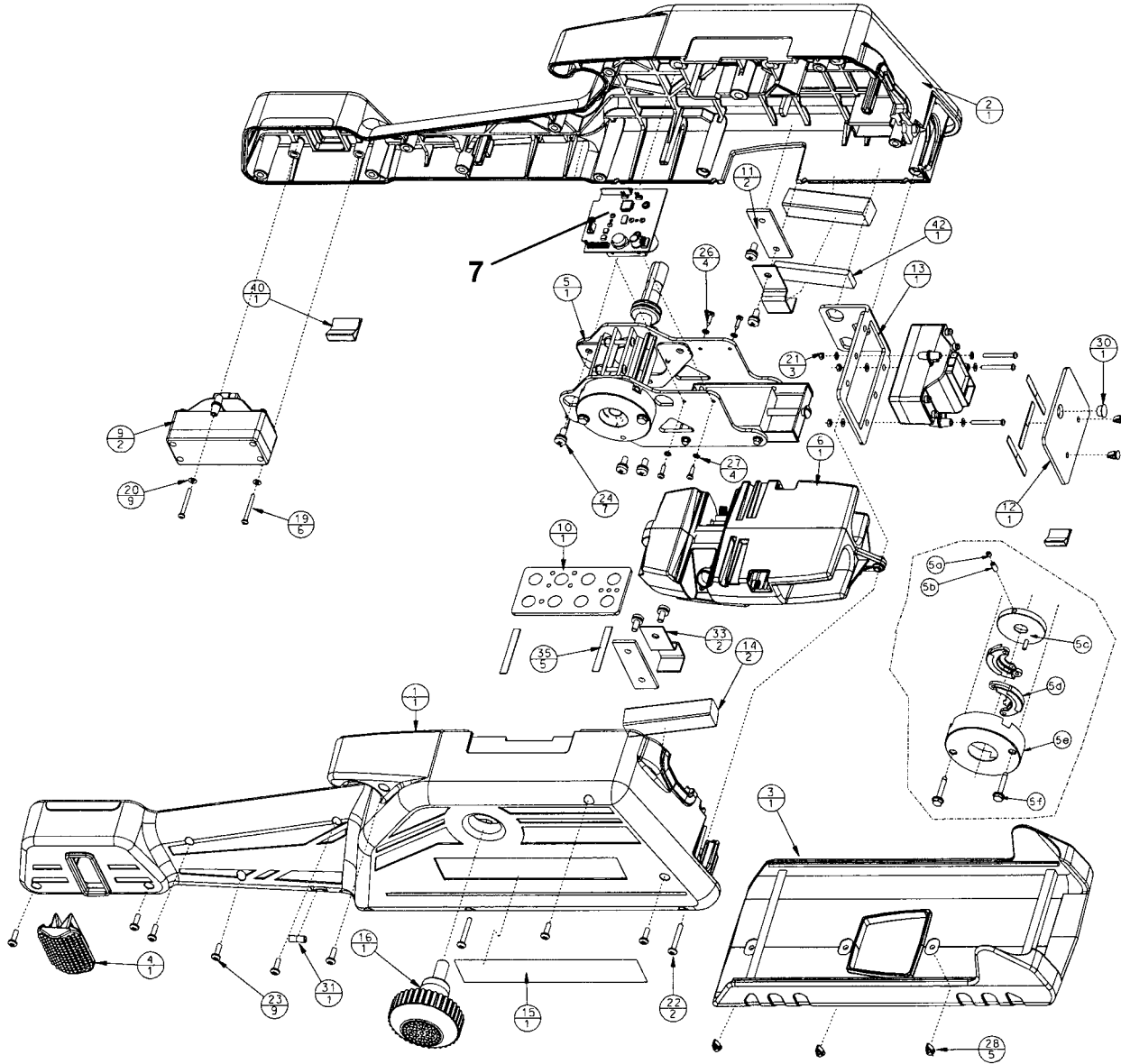
Ref	Qty	Part Number	Description
10	1	EAE0049J13A	Switch - Keypad, Head
11	4	EAM0007J22A	Counterweight - Fixed
12	1	EAS2022J47A	Door - Fixed
13	1	EAS2022J08A	Bracket - CCD, Rear Two
14	2	EAM0007J07A	Weight - Secondary, CCD Head
15	1	EAL0343J13A	Name Plate - Hofmann
16	1	EAC0055J31A	Knob Assembly - Brake
17	1	EAW0235J03A	Cable Assembly - Head, Tilt
18	1	EAW0235J18A	Cable Assembly - Keypad
19	6	1 - 24706A	Screw - Phms, M3 x .5mm x 30mm
20	9	1-9541	Washer - Flat, M3 Din 125a
21	3	1 - 01537A	Nut - Esna, M3 x .5mm
22	2	1 - 24906A	Screw - Phms, M4 x .7mm x 30mm
23	9	1 - 24606A	Screw - Phms, M4 x .7mm x 12mm
24	2	1 - 15606A	Screw - M4 x 20mm Phms, Blk
25	7	1 - 20906A	Screw - Phms, M5 x .8mm x 12m
26	4	1 - 23223A	Screw - Phil Pan M2.9 x 13
27	4	1-3147	Washer - M3, Int Tooth
28	4	8 - 02340A	Clip - Key Hole, Nylon - Black
30	1	1 - 03676A	Plug - Dome
31	1	1 - 16981A	Level Vial - P/N 0150
32	2	1 - 01737A	Nut - Esna, M4
33	2	EAS2022J75A	Plate - Retain, Cw
35	.830 ft	5 - 09826A	Strip - Cell Foam, 1/16 x 1/4, Adhesive
36	2	EAM0007J42A	Weight - Secondary
40	1	2-3657	Cable Clamp (Flat Cable)
42	.084 ft	985271000	Strip - Seal, 1/4" x 1"

8 Sensor Front Version II

Used from August 05 HY

EAK0256J53B Left Hand Corded
EAK0256J54B Right Hand Corded

EAK0256J83B Left hand Cordless
EAK0256J84B Right Hand Cordless



8 Sensor Front Version II

Ref	Qty	Part Number	Description
		EAK0256J98A	Head Cover Kit Left & Right hand – ref # 1 & 2
1	1		Head Cover, Lh (Not available separately order kit above)
2	1		Head Cover, Rh (Not available separately order kit above)
3	1	EAC0055J35A	Bumper - Head, Main
4	1	EAC0055J29A	Front Bumper
5	1	EAS2022J12A	Skeleton Assembly - Head, Lh
	1	EAS2022J54A	Skeleton Assembly - Head, RH
	2	1-2163	Bearing - 1.375 od x. 6id x .436 thk
*	1	EAM0007J27A	Spacer - extrusion,Skeleton
*	1	EAC0055J15A	Shaft - stub,Head
5d	2	EAC0055J17A	Brake Shoe
*	2	EAS2022J00A	Plate - skeleton
*	1	EAS2022J02A	Bracket - counterweight
*	1	EAS2022J03A	Weight - counter
*	1	EAS2022J04A	Thread Rod - counterweight
*	1	EAS2022J05A	Plate - retain, Skeleton
5c	1	EAA0305J58A	Collar - Shoe Retainer with Dowel Pin
5e	1	EAM0023J71A	Collar - Brake Drum
*	1	EAC0055J14A	Tube - spacer
*	1	1-06968A	Spring - compression,. 12od
*	3	1-13677A	Retaining Ring - sh59
5b	1	1-39010A	Screw - set, M4 x.7 x 10mm, Cup Pt
*	1	1-17552A	Dowel Pin - m2 x 12mm, Alloy Stl,Zn
*	1	1-01637A	Nut - esna, M6 x 1mm, Zinc
*	6	1-03425A	Screw - m4 x .7 x 8mm, Self Tap, Zinc
*	8	1-3225A	Screw - m5 x .8 x 20mm, Slftp, Hx Hd, Z
5a	1	1-38610	Screw - set, M4 x .7mm x 4mm, Cup Pt
5f	2	1-01315A	Bolt - hhw, 10 - 14, Semi Cup Pt
*	2	1-24906A	Screw - phms, M4 x .7mm x 30mm, Zinc
*	2	1-01737A	Nut - esna, M4, Zinc
*	8	1-4647	Washer - internal Tooth, M5
6	1	EAA0256J09A	Module Assembly - Corded, Lh
	1	EAA0256J10A	Module Assembly - Corded, RH
*	1	EAC0055J26A	Module - RF/Con., RH
*	1	EAC0055J27A	Module - RF/Con., LH
*	1	EAS2022J46A	Plate - Con
*	2	1-16523	Screw - PHMS, M2.9 X 1 X 9.5MM, Self tap
*	3	1-24206A	Screw - PHMS, M3 X 0.5 X 16MM
*	1	EAL0343J17A	Label - Cover,
*	1	1-3776A	Plug - Dome, 2673
7	1	EAK0268J93A	Tilt Assembly - Sensor
	3	1-11241	Washer - Flat M3
	3	1-16623	Screw - PHMS, M2.9 X 1 X 13MM, Self Tap
	3	1-09162A	Spacer - .5MM OD X 3.2 MM ID X 5MM HT
	1	EAS2022J01A	Bracket - Tilt
9	2	EAA0321J93A	Pod Assembly - CCD receiver/transmitter

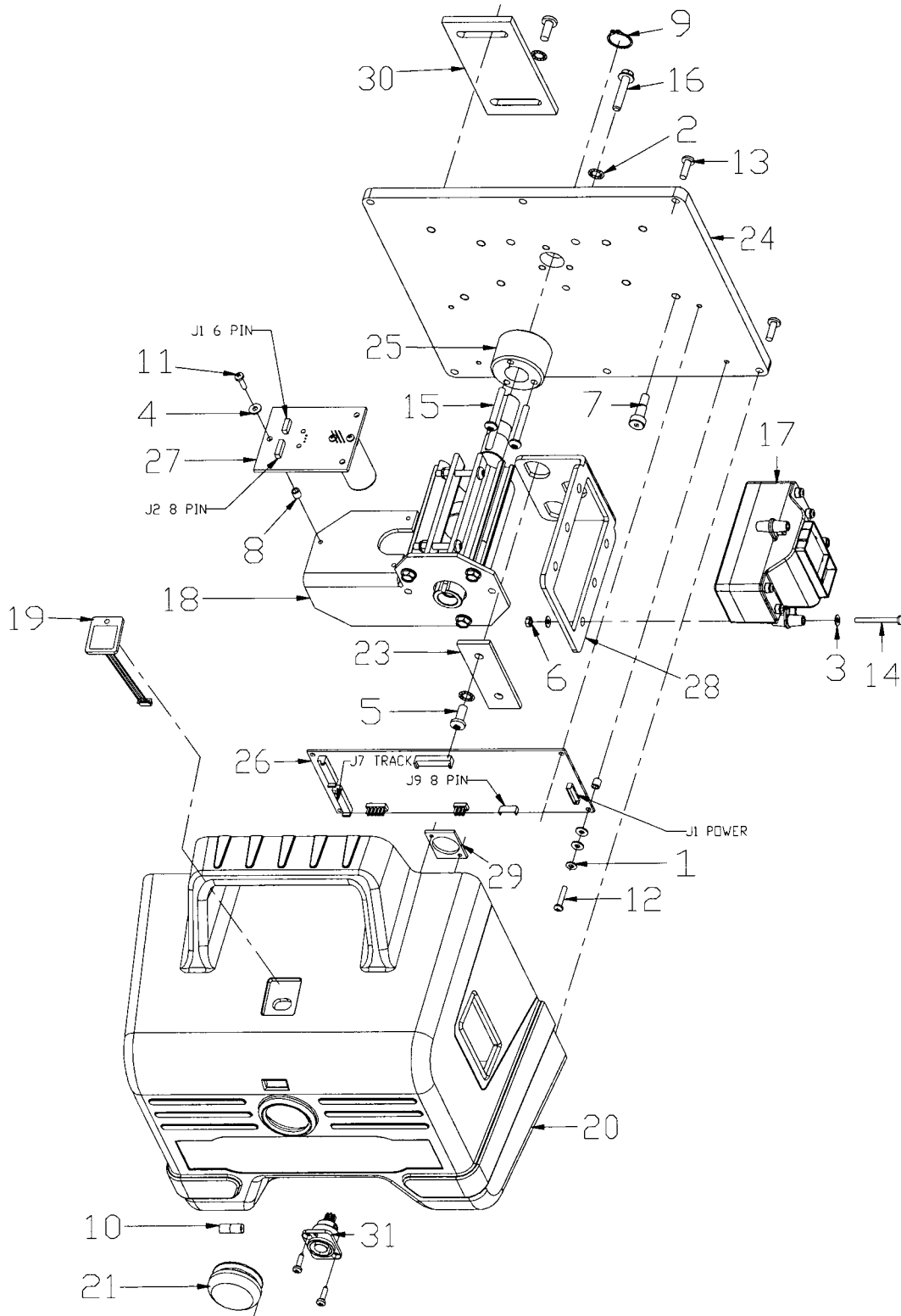
* Parts not shown in assembly

Ref	Qty	Part Number	Description
10	1	EAE0049J13A	Switch - Keypad, Head
11	4	EAM0007J22A	Counterweight - Fixed
12	1	EAS2022J47A	Door - Fixed
13	1	EAS2022J08A	Bracket - CCD, Rear Two
14	2	EAM0007J07A	Weight - Secondary, CCD Head
15	1	EAL0343J13A	Name Plate - Hofmann
16	1	EAC0055J31A	Knob Assembly - Brake
17	1	EAW0235J03A	Cable Assembly - Head, Tilt
18	1	EAW0235J18A	Cable Assembly - Keypad
19	6	1 - 24706A	Screw - Phms, M3 x .5mm x 30mm
20	9	1-9541	Washer - Flat, M3 Din 125a
21	3	1 - 01537A	Nut - Esna, M3 x .5mm
22	2	1 - 24906A	Screw - Phms, M4 x .7mm x 30mm
23	9	1 - 24606A	Screw - Phms, M4 x .7mm x 12mm
24	2	1 - 15606A	Screw - M4 x 20mm Phms, Blk
25	7	1 - 20906A	Screw - Phms, M5 x .8mm x 12m
26	4	1 - 23223A	Screw - Phil Pan M2.9 x 13
27	4	1-3147	Washer - M3, Int Tooth
28	4	8 - 02340A	Clip - Key Hole, Nylon - Black
30	1	1 - 03676A	Plug - Dome
31	1	1 - 16981A	Level Vial - P/N 0150
32	2	1 - 01737A	Nut - Esna, M4
33	2	EAS2022J75A	Plate - Retain, Cw
35	.830 ft	5 - 09826A	Strip - Cell Foam, 1/16 x 1/4, Adhesive
36	2	EAM0007J42A	Weight - Secondary
40	1	2-3657	Cable Clamp (Flat Cable)
42	.084 ft	00985271000	Strip - Seal, 1/4" x 1"

6 Sensor Rear Version I

Used up to July 05 GY

EAK0256J57A Left hand
EAK0256J58A Right hand



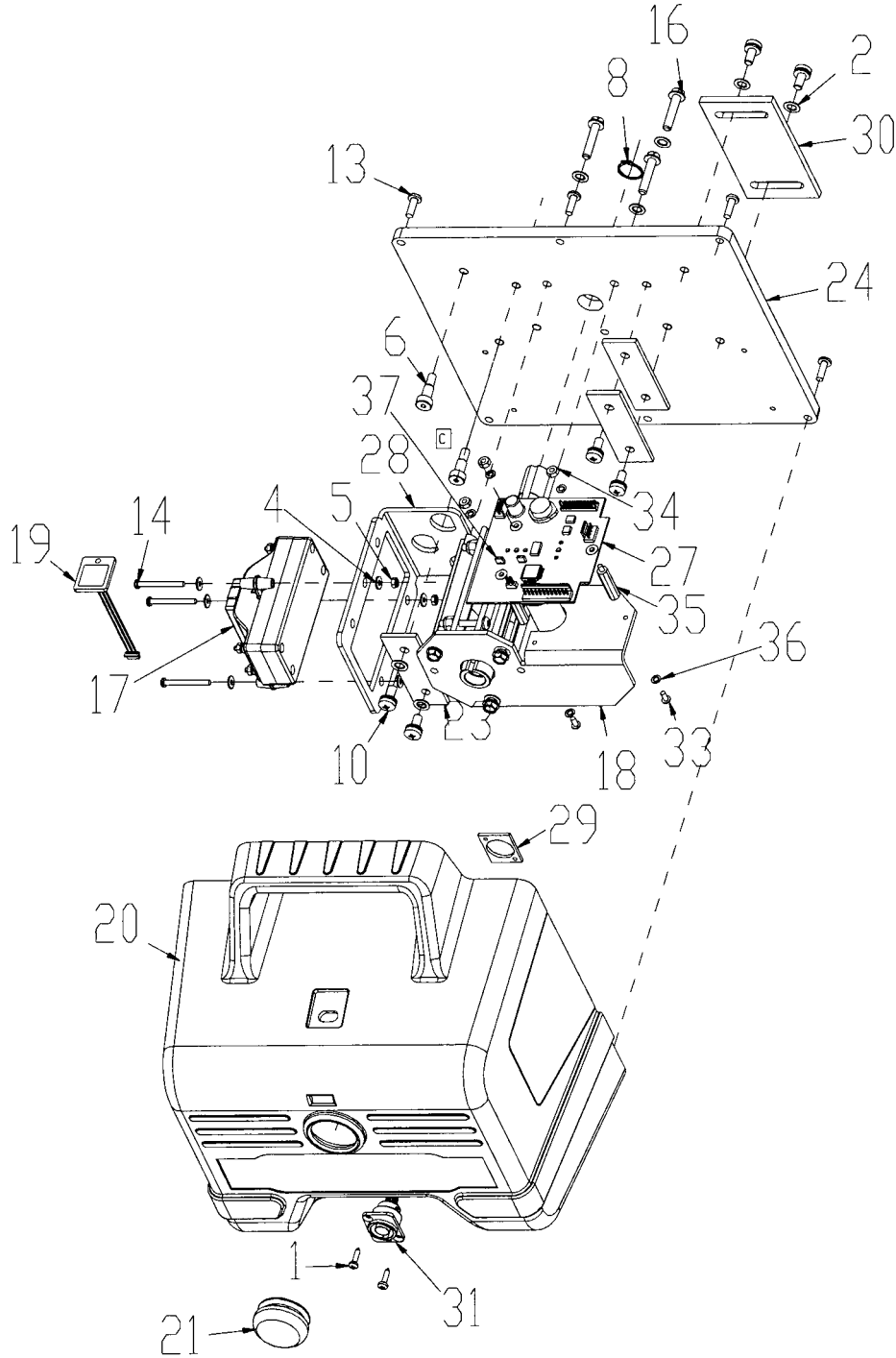
6 SENSOR Version I

Ref	Qty	Part Number	Description
1	4	1-3147	Washer - M3, Int Tooth
2	7	1-4647	Washer - Int Tooth, M5
3	6	1-9541	Washer - Flat, M3 Din 125a
4	11	1-11241	Washer - Flat, M3
5	6	1-20906	Screw - PHMS,M5 X .8mm X 12mm
6	3	1-01537A	Nut - ESNA, M3 X .5mm
7	2	1-02111A	Screw - Shoulder, M5 X 10mm
8	7	1-09162A	Spacer - 5mm OD X 3.2mm ID X 5mm
9	1	1-13677A	Ring - Retaining
10	1	1-16981A	Vial - Level
11	5	1-21123A	Screw - PHMS, M2.9 X 1 X 13mm
12	4	1-24206A	Screw - PHMS, M3 X X 0.5 X 16mm
13	6	1-24606A	Screw - PHMS, M4 X .7mm X 12mm
14	3	1-24706A	Screw - PHMS, M3 X .5mm X 30mm
15	3	1-24906A	Screw - PHMS, M4 X .7mm X 30mm
16	3	1-46201A	Screw - M5 X 0.8mm X 20mm, Self Tap
17	1	EAA0256J05A	Pod Ass'y - CCD, Head
18	1	EAA0287J45A	Skeleton Assy, RH, 6 Sensor
	1	EAA0287J47A	Skeleton Assy, LH, 6 Sensor
19	1	EAA0287J50A	Keypad Assy - 6 Sensor
20	1	EAC0055J79A	Cover - 6 Sen, RH
	1	EAC0055J80A	Cover - 6 Sen, LH
21	1	EAC0055J89A	Bumper - 6 Sensor
22	1	EAL0343J13A	Nameplate - CCD Sensor
23	1	EAM0007J22A	Counterweight - Fixed
24	1	EAM0016J85A	Plate - Back, 6 Sensor
25	1	EAM0016J91A	Plug - Spacer, 6 Sensor
26	1	EAP0196G20A1	PCB Ass'y - Head, Toe
27	1	EAK0256J88A	PCB Ass'y - Camber, Tilt
28	1	EAS2022J08A	Bracket - CCD, Rear Two
29	1	EAS2022J46A	Plate - Con
30	1	EAS2048J20A	Plate - Counter, 6 Sensor
31	1	EAW0235J25A	Cable Ass'y - Head, Main
32	1	EAW0235J03A	Cable Ass'y - Head, Tilt

6 Sensor Rear Version II

Used from August 05 HY

EAK0256J57B Left hand
EAK0256J58B Right hand



6 SENSOR Version II

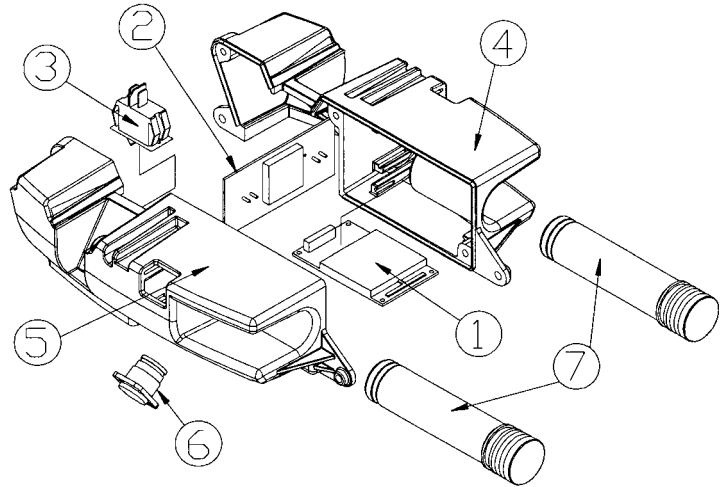
Ref	Qty	Part Number	Description
1	2	1-23223A	Screw - Phil Pan M2.9x13
2	7	1-4647	Washer - M5, Int Tooth
4	6	1-11241	Washer - Flat, M3
5	3	1-01537A	Nut - Esna, M3 X .5mm
6	2	1-02111A	Screw - Shoulder M5 X 10
8	1	1-13677A	Ring - Retaining
10	6	1-20906A	Screw - PHMS, M5 X .8mm X 12m
13	6	1-24606A	Screw - PHMS, M4 X .7mm X 12mm
14	3	1-24706A	Screw - PHMS, M3 X .5mm X 30mm
16	3	1-46201A	Screw - Hhw Type F M5 X 25mm
17	1	EAA0321J93A	Pod Assy - CCD Head
18	1	EAA0287J45A	Skeleton Assy - RH, 6 Sensor
	1	EAA0287J47A	Skeleton Assy - LH, 6 Sensor
19	1	EAW0235J57A	Key Pad Assy - 6 Sensor
20	1	EAC0055J79A	Cover - 6 Sensor RH
	1	EAC0055J80A	Cover - 6 Sensor LH
21	1	EAC0055J89A	Bumper - 6 Sensor
23	3	EAM0007J22A	Counterweight - Fixed
24	1	EAM0016J85A	Plate - Back, 6 Sensor
27	1	EAK0268J94A	Tilt Assy - Sensor, Single Cal.
28	1	EAS2022J08A	Bracket - CCD, Rear Two
29	1	EAS2022J46A	Plate - Con
30	1	EAS2048J20A	Plate, Counter Weight 6 Sensor
31	1	EAW0235J00A	Cable Ass'y - Head, Main
33	3	1-01607	Screw - 4 - 40 X 1/4 PHMS,
34	3	1-4233	**Nut - Hex 4 - 40
35	3	1-11761A	Standoff 4 - 40 X 1" M/F
36	6	1-3147	Washer - M3, Int Tooth
37	2	2-48204A	Jumper - 2 Pin .100"

Cordless Module Version I

Used up to May 04 EX

Part Number	Description
EAA0256J15A	Complete module LF / RR
EAA0256J16A	Complete module RF / LR

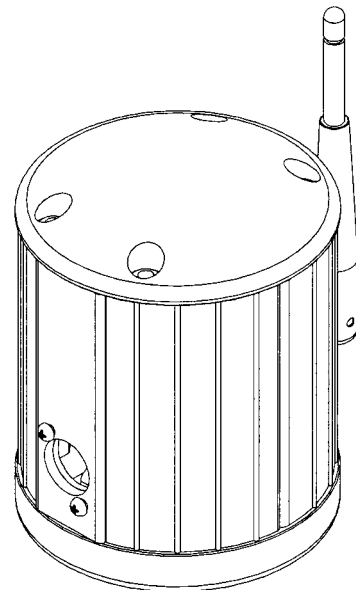
How to tell which version you Have? On the page after Version II



Ref	Qty.	Part Number	Description
1	1	3-00609A	Radio - 2.4GHZ Head AC1524C - 10A
2	1	EAP0196G10A	PCB - Battery Int Head
3	1	1122502000	Switch - Power SPDT
4	1	EAC0055J26A	Module - RF / Con., RH
5	1	EAC0055J27A	Module - LF / Con., LH
6	1	EAS2022J46A	Plate - Con
7	2	EAA0287J34A	Battery - Cordless, 3.6v
*	2	1-16523	Screw - PHMS,M2.9x1x9.5mm,Sif Tp
*	3	1-24206A	Screw - PHMS,M3 X .5mm X 16mm
*	1	1-3776A	Plug - Dome,2673
*	1	EAW0235J13A	Cable Assy Head, Main, Cordless
*	1	EAW0235J26A	Cable Assy - Head, Radio, Cordless
*	1	EAW0235J25A	Cable Assy Head, Interface
*	1	EAC0055J25A	Door - Access, Battery

Cordless Receiver Pod Version I

Part Number	Description
EAA0256J95A	Pod Assembly

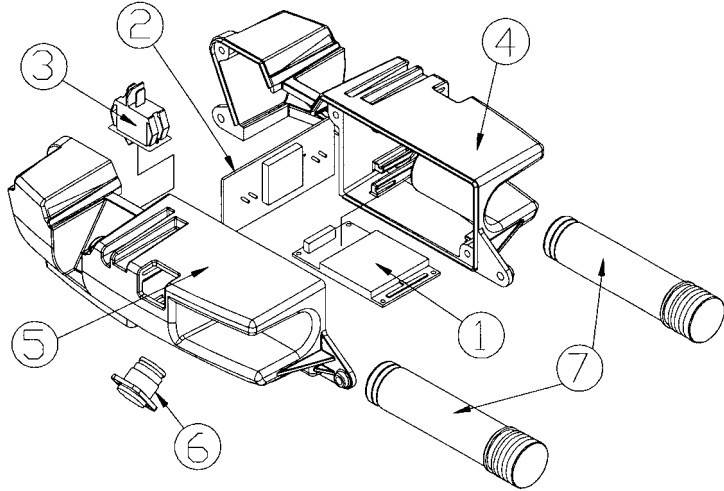


Cordless Module Version II

Used from June 04 FX

Part Number	Description
EAA0305J72A	Complete module LF / RR
EAA0305J73A	Complete module RF / LR

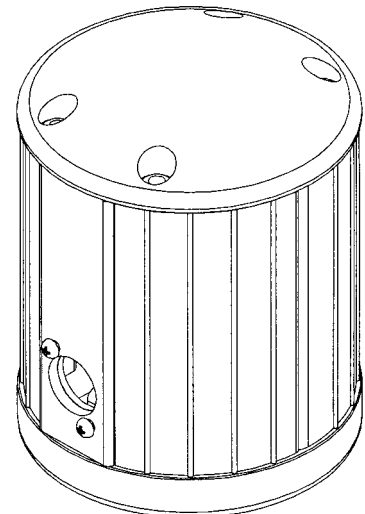
How to tell which version you Have? The next page



Dip Switch Settings Items #2

- 1 - off 4 - on
- 2 - on 5 - on
- 3 - on 6 - off

Ref	Qty.	Part Number	Description
1	1	3-01209A	Radio - 2.4GHZ Head AC1524C - 10A
		3-02109A	Radio used from 01/06
2	1	EAP0238J34B	PCB - Battery Int Head
3	1	1122502000	Switch - Power SPDT
4	1	EAC0055J26A	Module - RF / Con., RH
5	1	EAC0055J27A	Module - LF / Con., LH
6	1	EAS2022J46A	Plate - Con
7	2	EAA0287J34A	Battery - Cordless, 3.6v
*	2	1-16523	Screw - PHMS,M2.9x1x9.5mm,Slf Tp
*	3	1-24206A	Screw - PHMS,M3 X .5mm X 16mm
*	1	1-3776A	Plug - Dome,2673
*	1	EAW0235J13A	Cable Assy Head, Main, Cordless
*	1	EAW0235J26A	Cable Assy - Head, Radio, Cordless
*	1	EAW0235J25A	Cable Assy Head, Interface
*	1	EAC0055J25A	Door - Access, Battery



Cordless Receiver Pod Version II

Part Number	Description
EAA0305J70A	Pod Assembly

Here is the way to tell which Version of Cordless module that you have. The battery contacts are different.



Version I

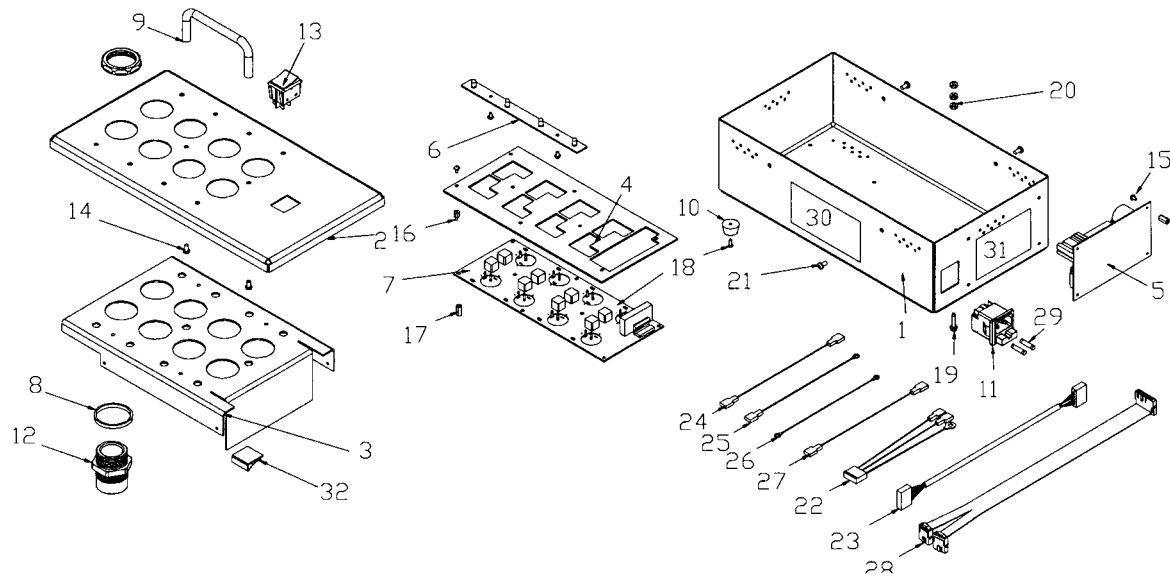
Version II

The cordless pod version I has the Antenna

The cordless pod version II has no Antenna

Battery Charger Version I

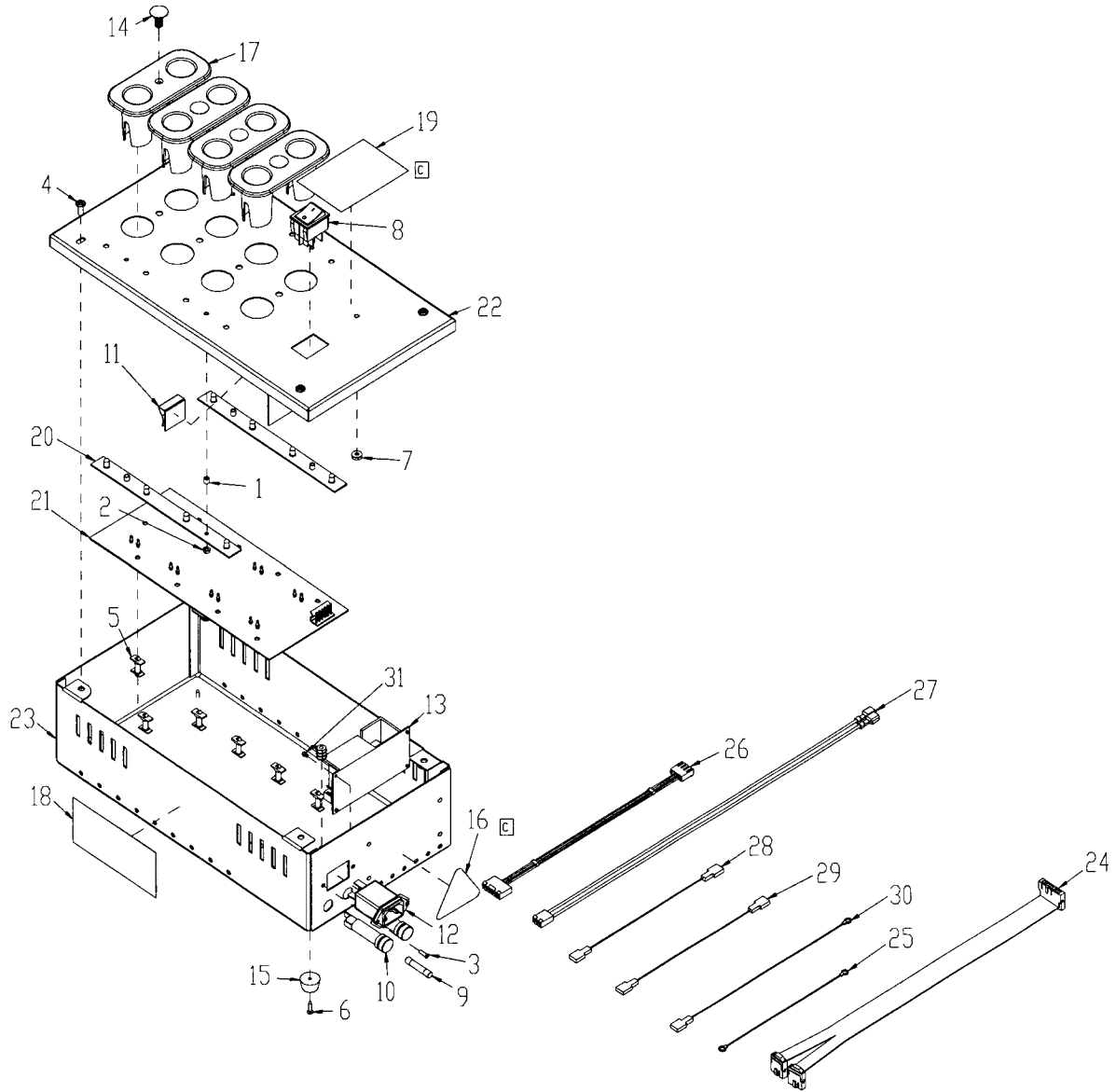
EAA0287J23A



Ref	Qty	Part Number	Description
1	1	EAS2048J10A	Battery Charger Box Bottom
2	1	EAS2048J09A	Battery Charger Box Top
3	1	EAS2048J11A	Battery Charger Box Support
4	1	EAS2048J12A	Battery Charger Box Stop
5	1	EAP0216P10A	Power Supply - 9v
6	2	EAP0196J44A	PCB - Led, Battery Charger
7	1	EAP0196G60B	PCB - Battery Charger
8	8	EAM0016J72A	Spacer Battery Charger
9	1	8-08833A	Handle
10	4	8-08018A	Mount - Rubber
11	1	2-35266A	Plug - IEC, Filter, Fused
12	8	2-19547A	Connector - Water Tight Heyco
13	1	2-12558A	Switch - Rocker DPST, Lit
14	2	1-24806A	Screw - PHMS,M4 X .7mm X 8mm
15	28	1-17906A	Screw - PHMS M3 X 6
17	12	1-12161A	Standoff - M3 X 12mm F/F
18	4	1-06724A	Screw - Self Tap M2.9 X 9.5mm
19	1	00083558000	Screw - Ground, #8-32 X 3/4 Grn
20	3	01181298000	Nut - Keps, #8-32 UNC - 2b Cd/Zn
21	4	01122289000	Screw, 8-18 X 1/2 Self Tap PNHD
22	1	EAW0243P20A	Cable - 3way Power
23	1	EAW0243P16A	Cable - 6way To 6way Power
24	1	EAW0243P23A	Cable - Link Wire, Blue
25	1	EAW0243P25A	Cable - Link Wire
26	1	EAW0243P26A	Link Wire Ground To Ground
27	1	EAW0243P22A	Cable - Link Wire, Brown
28	1	EAW0235J29A	LED Cable Assy, Battery Charger
29	2	2-19151A	Fuse -.5a, Slo, 5 X 20mm
30	1	EAL0343J51A	Label - Battery Charger, General
31	1	EAL0343J54A	Label - Battery Charger
32	1	2-3657	Cable Clamp (Flat Cable)
33	8	1-24706A	Screw - PHMS,M3 X .5mm X 30mm
34	16	1-10662A	Spacer - 3mm - Nylon Blk
35	8	1-01537A	Nut - ESNA, M3 X .5mm
36	8	1-12844A	Washer - Shoulder

Battery Charger Version II

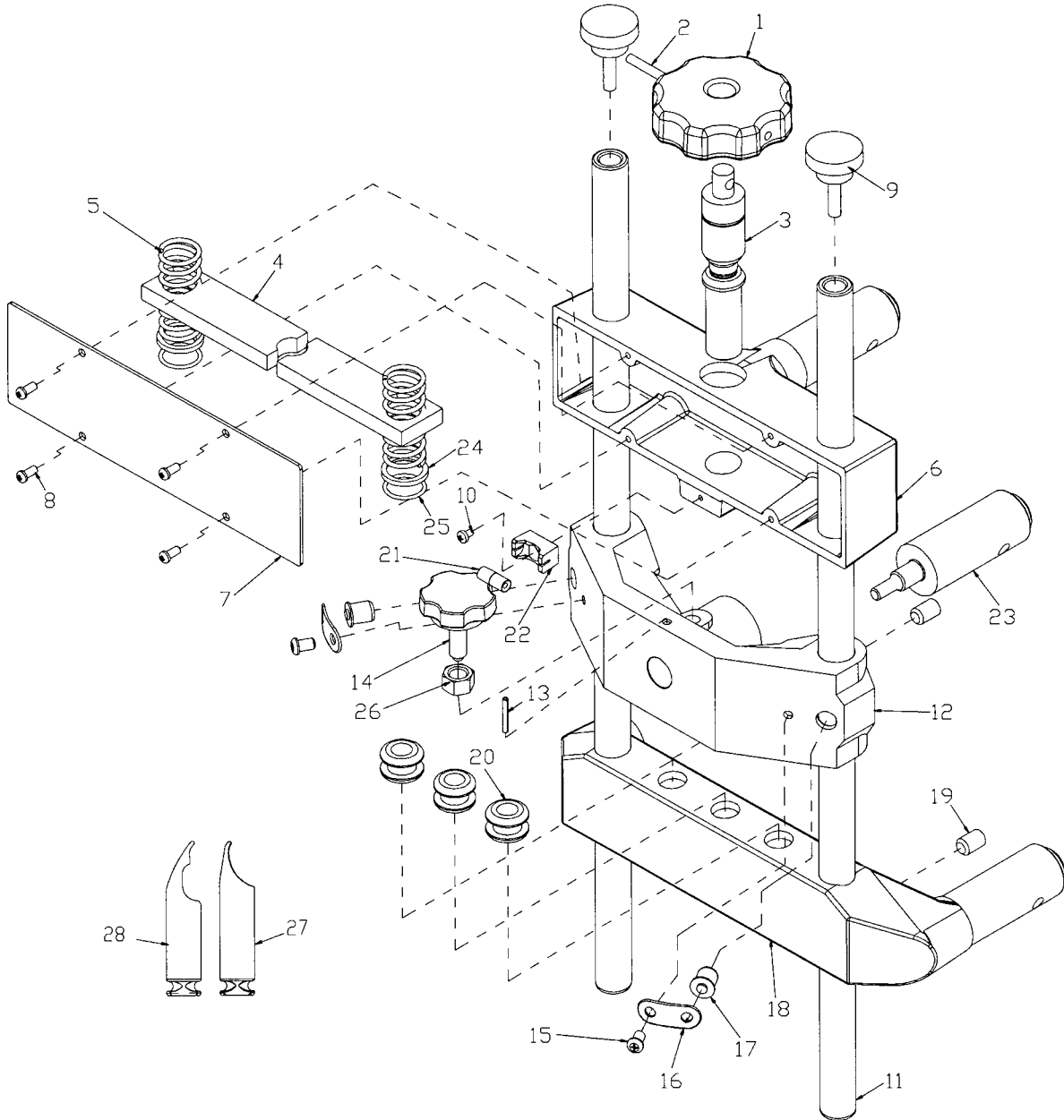
EAA0305J71A



SYM	REQD	PART NO	DESCRIPTION
1	4	1-09162A	SPACER-5MM OD X 32MM ID X 5MM HT
2	4	1-10779A	NUT, M3 BARB
3	2	1-11103	M3 X 10mm FLAT HEAD SCREW
4	4	1-16006A	PHMS, M5 x 12mm
5	9	1-22259A	STANDOFF, SNAP-LOCK
6	4	1-23223A	SCREW- PHIL PAN HD,
7	4	1-7033	NUT & L/WASHER ASS'Y- #8-32
8	1	2-12258A	SWITCH, ROCKER
9	2	2-851	FUSE, 1 AMP, 250V
10	2	2-15651A	FUSE HOLDER
11	1	2-3657	CABLE CLAMP- FLAT CABLE
12	1	2-40248A	IEC INLET,(FILTER)
13	1	7-01902A	TRANSFORMER, 115/230V 12V DC
14	4	8-02740A	FASTENER - PANEL 7 DIA X .783
15	4	8-08018A	RUBBER FOOT
16	1	8-23562A	LABEL - WARNING
17	4	EAO0055J93A	SLEEVE-BATTERY
18	1	EAL0343J51A	LABEL-BATTERY CHARGER,GENERAL
19	1	EAL0343J97A	LABEL-BATTERY CHARGER,VOLTAGE
20	2	EAP0196J44A	PCB ASS'Y-LED, BATTERY CHARGER
21	1	EAP0238JI04	PCB ASS'Y - BATTERY CHARGER
22	1	EAS2048J63A	COVER ASSY BATTERY CHGR BOX
23	1	EAS2072J37A	COVER ASSY - BATTERY BOX BOTTOM
24	1	EAW0235J29A	LED CABLE ASSY- CHARGER
25	1	EAW0235J36A	CABLE ASSY - GROUND, 12'
26	1	EAW0235J42A	CABLE ASS'Y-POWER
27	1	EAW0230J43A	CABLE ASSY 2 WAY POWER CABLE
28	2	EAW0243P22A	LINK WIRE BROWN
29	2	EAW0243P23A	LINK WIRE BLUE
30	1	EAW0243P25A	LINK WIRE EARTH
31	4	1-26406A	SCREW - PHMS M3 X 4

Wheel Clamps Version I

EAA0256J35A



Ref	Qty	Part Number	Description
1	1	EAC0055J94A	Knob - Wheel Clamp
2	1	1-19252A	Pin - Roll, .156 X 1 ESNA
3	1	EAC0055J19A	Screw - Clamp, Long
4	2	EAM0007J03A	Bar - Tightening, Plated
5	4	EAA0256J07A	Spring - Wheel Clamp, Plated
6	1	EAC0055J06A	Bracket - Clamp, Upper (Machined)
7	1	EAS2022J11A	Cover Plate
8	4	1-23906A	Screw - PHMS, M3.5x8mm
9	2	EAC0055J36A	Knob - Screw Thumb Rod
10	1	1-24106A	Screw - PHMS - M3 X 5mm
11	2	EAM0007J11A	Rod - Wheel Clamp
12	1	EAC0055J07A	Bracket - Center, Sliding (Mch)
13	1	1-18052A	Roll Pin - 2.5 X 18mm
14	1	EAC0055J46A	Knob - Shaft Clamp
15	2	1-24006A	Screw - PHMS, M5 X .8m X 8mm
16	2	EAS2022J43A	Spring - Friction, Hub
17	2	EAM0007J20A	Pin - Friction
18	1	EAC0055J08A	Bracket - Clamp, Lower (Mch)
19	2	1-47910A	Screw - HSHS, M8 X 1.25m X 12mm
20	3	8-07716A	Grommet - Rubber, Z1046
21	1	1-16981A	Level Vial - P/N 0150
22	1	2-03732A	Flange - Mtg, Vial
23	3	EAM0016J93A	Retainer Assy - Rim Claw Ext.
24	2	EAM0007J39A	Retainer - Friction Ring
25	2	8-1314	O'ring - 5 - 8 X 34 As - 568a - 0
26	1	1-11833	Nut - M8 - 1.25 Din 934
27	3	EAM0007J01A	Rim Claw Universal
28	3	EAM0016J89A	Claw - Clearanced

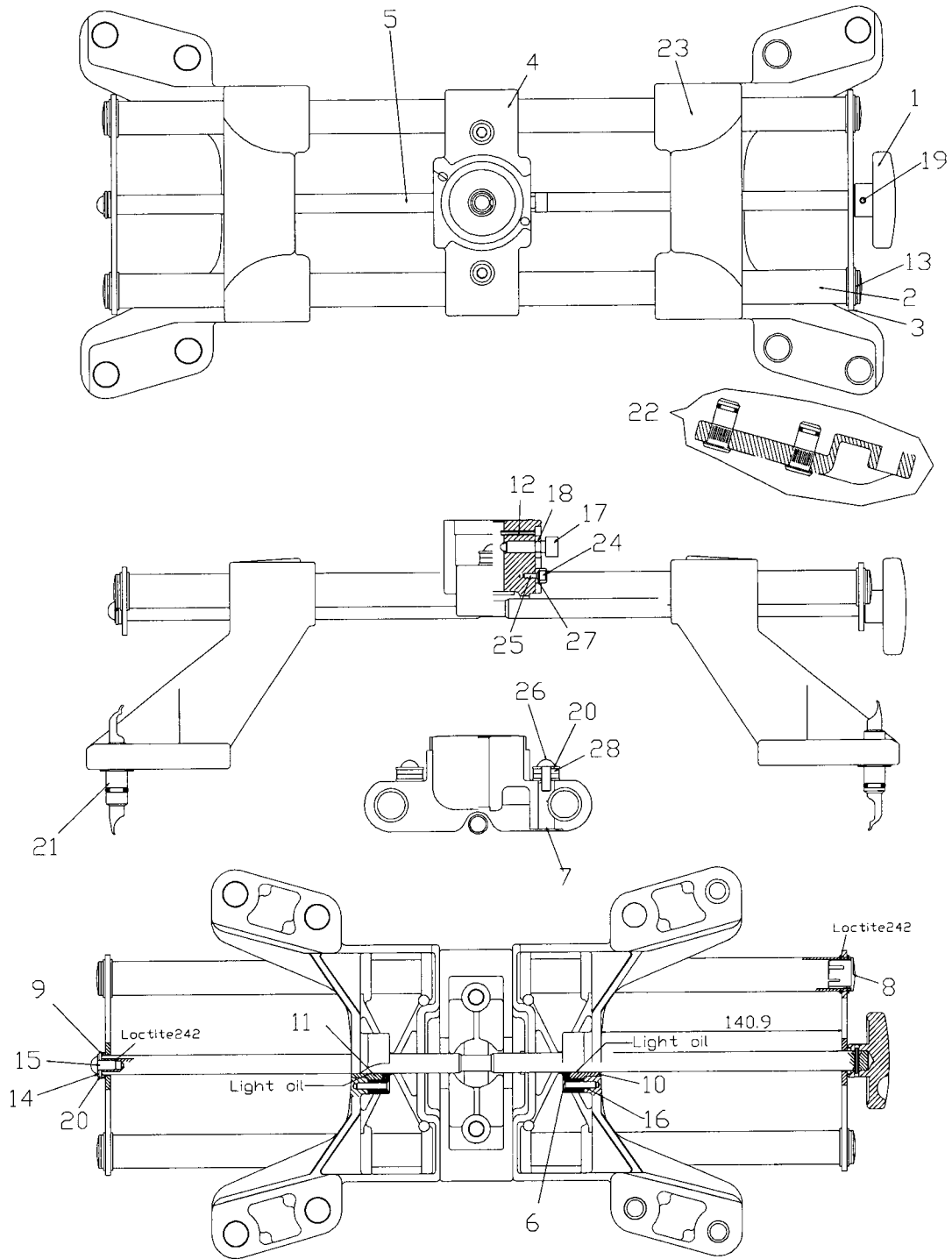
EAC0055J57A - Pair of Wheel Clamps and Contents

2	EAA0256J35A	Wheel Clamp Assy
2	EAK0222J79A	Kit, Claw - Clearanced, CCD
2	EAM0007J17A	Rod - Extension, Whl Clmp, 22" Cap
3	EAM0016J89A	Claw - Clearanced, CCD Clamp
3	EAM0007J01A	Rim Claw Universal
2	1-08584A	Cord - Bungee, Blk. 16"
1	TEAC0055J57A	Maint Instr - Wheel Clamp

Wheel Clamps Version II

EAC0079J47A Long Version - Standard

EAC0079J73A Short Version



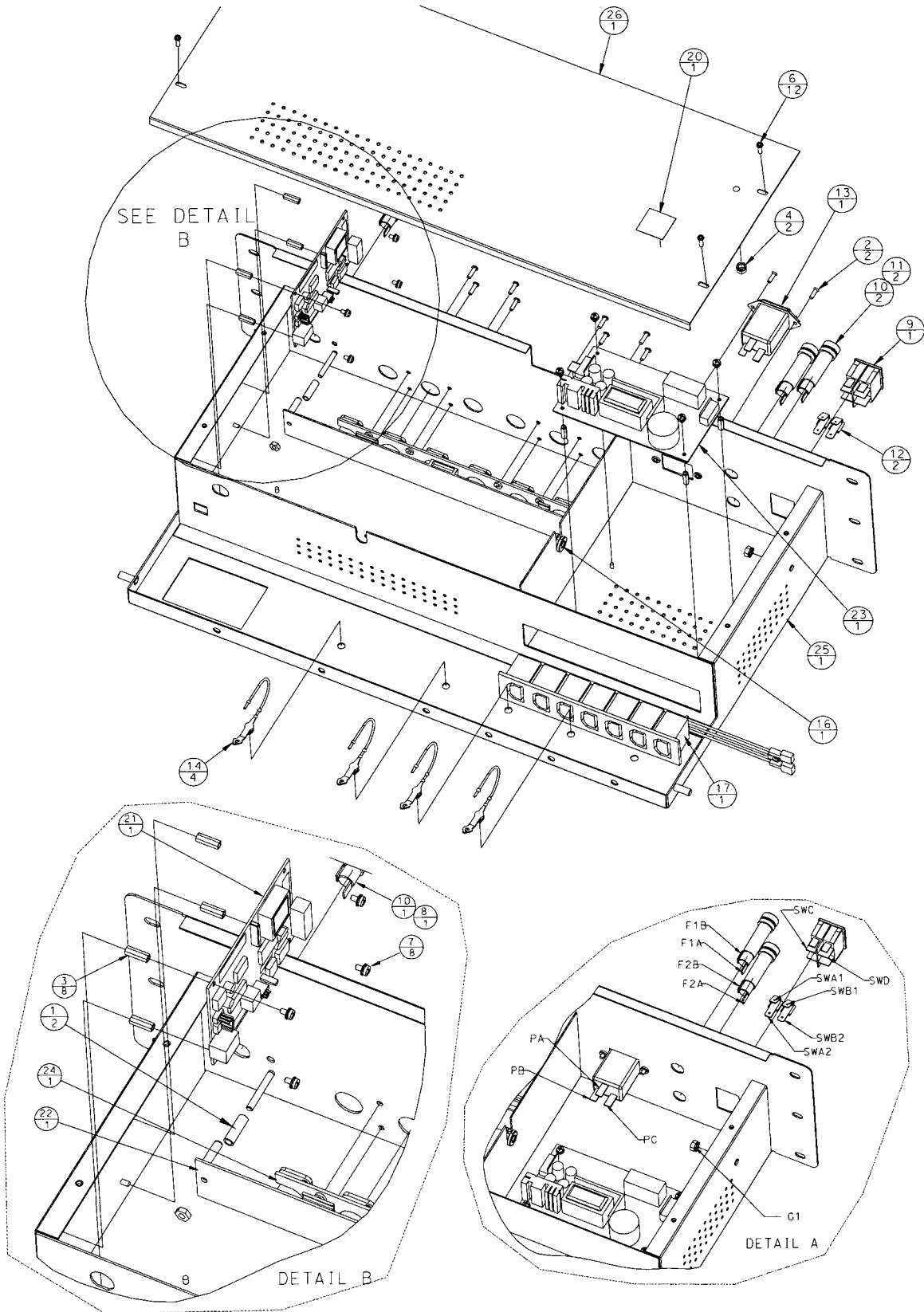
EAC0079J47A Long Version – Standard (CLAMP ONLY)
 EAC0079J73A Short Version
EAK0268J55A complete wheel clamp CCD (clamp, claws, cords)

Ref	Qty	Part Number	Description
1	1	EAM0044J13A	Knob Wheel Clamp
2	2	EAM0044J14A	Tube - Wheel Clamp (long 464mm)
	2	EAM0044J64A	Tube - Wheel Clamp (short 407.6mm)
3	2	EAS2084J29A	Retainer Plate
4	1	EAC0079J53A	Center Bracket
5	1	EAM0044J16A	Double lead screw (long 474mm)
	1	EAM0044J65A	Double lead screw (short 417mm)
6	2	EAC0079J50A	Cover Feed Screw Lock
7	2	EAM0044J22A	Pin Tube Lock
8	4	EAC0079J51A	Plastic Plug 19.0mm
9	2	EAC0079J52A	Thrust Washer
10	1	EAM0044J20A	Threaded bushing LH
11	1	EAM0044J24A	Threaded bushing RH
12	1	1-20652	Pin Spring M3 X 20
13	8	1-17677A	Retaining Ring
14	1	1-3347	Lockwasher M6
15	3	1-50309A	Screw M6 X 10mm
16	4	1-26506A	Screw PH Counter
17	1	EAM0044J47A	screw SHCS M8 X 30
18	1	1-20733A	Hex Nut
19	1	1-20652	Pin Spring M3 X 20mm
20	3	1-14144A	Washer M6 X 18
21	4	EAM0044J19A	Grabber Assembly
	1	EAM0044J18A	Grabber Dual End
	2	8-10214A	O-Ring 3.1mm X 7.8
	1	1-17577A	Retaining Ring E Style
22	4	EAM0044J12A	W/Clamp Extension Assy' (Optional)
	1	EAC0079J46A	Extension Casting
	2	EAM0044J11A	Pin - Extension
	2	8-10214A	O-Ring 3.1mm X 7.8
23	2	EAC0079J48A	Bracket Long
24	1	1-16981A	Level Vial
25	1	1-33206A	Screw M3 X 8
26	2	1-50509A	Screw BHCS M6 X 16mm
27	1	2-03732	Vial Flange
28	4	EAM0044J46A	Grommet

Kits

EAK0268J51A	O-Ring kit (32 o-rings)
EAK0268J41A	Grabber kit (4 grabbers)
EAK0268J40A	Extension kit (4 extensions)
EAK0268J73A	Kit – Spoiler Adaptor – Std.
1-37410	Screw – Set M3 x .5 x 10mm, Cup Point
EAA0333J03A	Spoiler Asm. Adaptor, Standard
EAM0044J58A	Spoiler – Adaptor, Wheel Clamp
EAM0044J59A	Shaft – Spoiler, Adaptor Std.

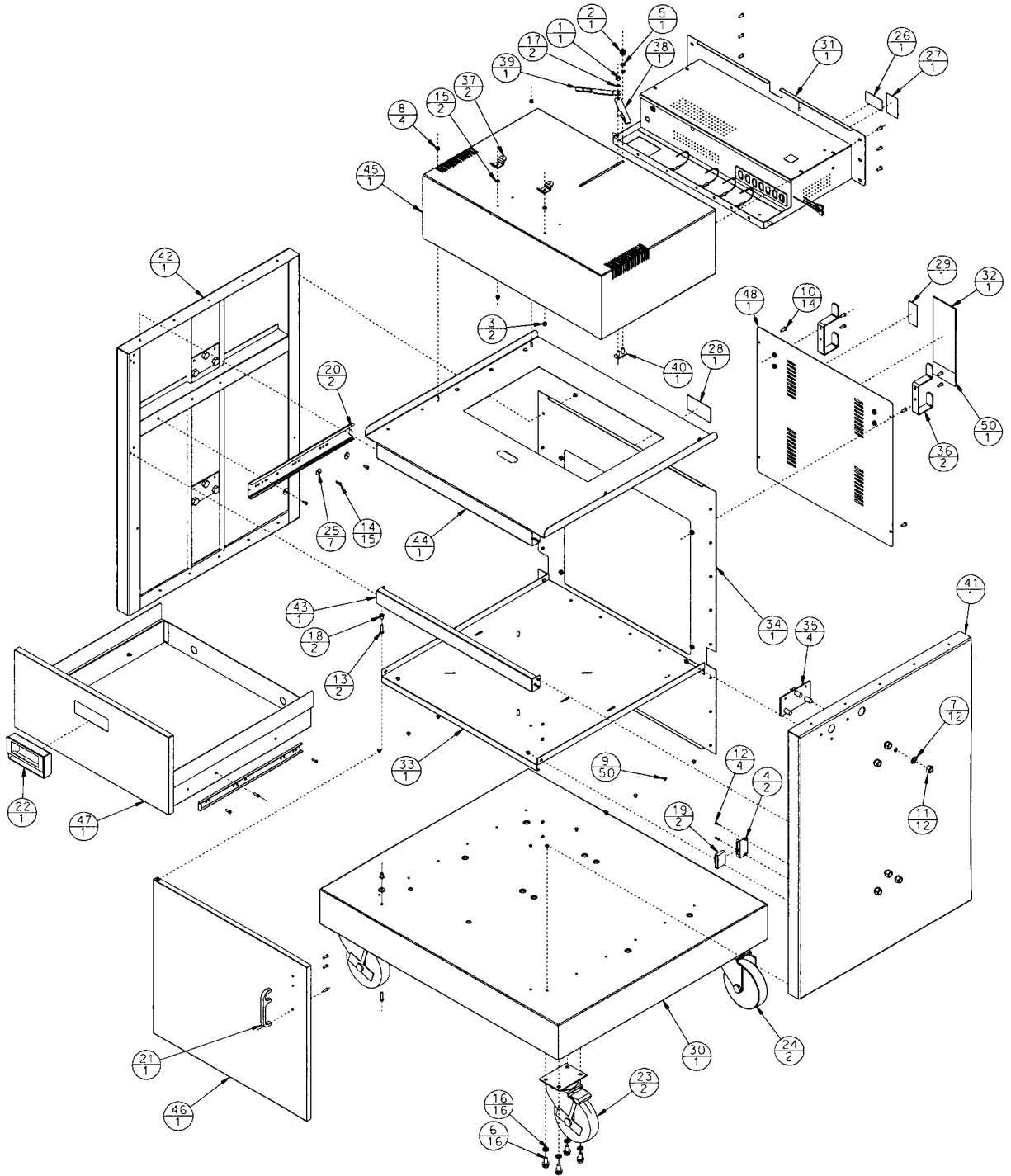
USB Box



Ref	Qty	Part Number	Description
1	2	1-5962	Spacer - 13sp074
2	2	1-11103	Screw - M3 x 10mm, FHMS, Blk
3	8	1-09161A	Spacer - Hex Threaded, M3 x14mm
4	2	1-13633A	Nut - M5, Hex, Zinc
5	2	1-9733	Nut - Hex, M4, Zinc
6	12	1-18206	Screw - M3 x 12mm Pan Hd, Blk
7	8	1-19306A	Screw - PHMS, 6mm
8	1	2-7051	Fuse - 3a Slow Blow
9	1	2-12258A	Switch - Rocker On/Off Black
10	3	2-15651A	Holder - Fuse
11	2	2-18451A	Fuse - 5a, Slo Blo
12	2	2-31001A	Terminal - Quick Connect
13	1	2-37348A	Receptacle - Cord, Power
14	4	5-05445A	Tie Wrap - Push Button
15	1	6-02422B6	Cable - USB 6' A Male To B Male
16	1	8-09016A	Grommet - Split, 3/8 Groove Dia
17	1	EAA0261P60A	Cable - IEC Power Block Assembly
18	2	EAL0345P51A	Label - Fuse 5a
19	1	EAL0345P52A	Label - Fuse 3a
20	1	EAL0345P54A	Label - Electrical Warning
21	1	EAP0196J80A1	Pcb Assy - USB HIB Serialized
22	1	EAP0216P00A	Pcb - Interconnect USB HIB
23	1	2-37666A	Power Supply - 10v, 40w
24	1	EAS2024P63A	Connector Bracket Assembly
25	1	EAS2057P21A	USB Hib Shelf Weldment
26	1	EAS2057P26A	Hib Cover Assembly
27	1	EAW0243P16B	Cable - 6 Way To 6 Way Power
28	1	EAW0243P17A	Cable - 16 Way To 16 Way IDC
29	1	EAW0243P20A	Cable - 3 Way Power
30	2	EAW0243P22A	Cable - Link Wire, Brown
31	2	EAW0243P23A	Cable - Link Wire, Blue
32	1	EAW0243P25A	Cable - Link Wire
33	1	EAW0243P26A	Link Wire Ground To Ground
36	1	00088635000	Power Cord - 3 Cond IEC - 301
37	2	00089267000	Cord - Power, IEC 320, M - F, 6 Ft
38	1	EAW0243P10A	Cable - Remote Interface

EAA0297P20A USB box
EAK0256J34A USB Box with cables and shipping box

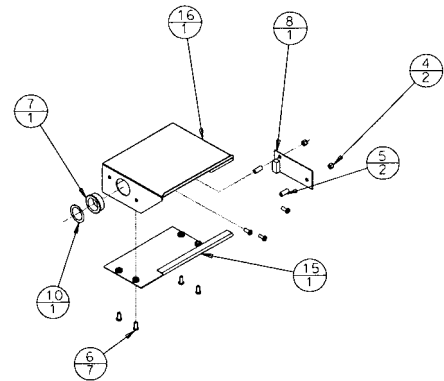
Cabinet Assembly



Ref	Qty	Part Number	Description
1	1	1 - 01637A	Nut - Esna, M6 x 1mm
2	1	1 - 01736A	Nut - Thumb, M6 - 96115a460
3	2	1 - 01737A	Nut - Esna, M4
4	2	1 - 10484A	Bracket - Mount, Magnetic Catch
5	1	1 - 11541	Washer - Flat, M6 x 1.6mm Thk
6	16	1 - 13501A	Screw - Hhcs, M8 x 20mm
7	12	1 - 13541	Washer - 10mm x 10.5mm
8	4	1 - 13633A	Nut - M5, Hex, Zinc
9	50	1 - 15158A	Rivet - 4.8mm Blk
10	14	1 - 16006A	Screw - M5 x 12mm Pan Hd, Blk
11	12	1 - 16233A	Nut - M10 Black
12	4	1 - 18206	Screw - M3 x 12mm Pan Hd, Blk
13	2	1 - 25306A	Screw - Pan Hd M5 - .8mm x 20mm
14	15	1 - 38909A	Screw - Bhcs, M4 x 12mm Zn
15	2	4044	Washer - Nylon, .38 Od
16	16	446	Washer - Lock, Split
17	2	1 - 03848A	Washer - Lock Int/Ext, 1/4 Zn
18	2	5665	Bushing - Nylon, 5m x 10mm
19	2	8 - 03642A	Catch - Magnetic, Medium
20	2	8 - 04288A	Drawer Slide 14"
21	1	8 - 08633A	Handle - Door, #B4 - 50 - 403 - 12
22	1	8 - 08733A	Handle - Flush, #P1 - 31
23	2	8 - 23139A	Caster - Swivel 5" W/Brake
24	2	8 - 23239A	Caster - Swivel 5"
25	7	00061746000	Washer - Tray, Weight
26	1	00086164000	Label - Fuse
27	1	00086465000	Label - Warning, Shock
28	1	00111243000	Label - Warning, Explos.
29	1	00111245000	Label - Caution, Elect
30	1	EAA0287J96A	Base Weldment
31	1	EAA0297P20A	Wiring Assy - USB, HIB
32	1	EAL0343J53A	Label - Warn.patent
33	1	EAS2024P57A	Shelf Assy - Pc
34	1	EAS2024P68A	Panel Assy - Back
35	4	EAS2024P70A	Bolt Brkt Assy
36	2	EAS2040P20A	Hanger Bracket
37	2	EAS2048J41A	Bracket - Monitor, Front Asm.
38	1	EAS2048J42A	Bracket - Monitor, Rear Rh
39	1	EAS2048J44A	Bracket - Monitor, Rear Lh
40	1	EAS2048J47A	Plate - Monitor, Pivot Asm
41	1	EAS2048J84A	Panel Widmt - Right Blue
42	1	EAS2048J85A	Panel Widmt - Left Blue
43	1	EAS2048J86A	Cross Bar - Center Hofmann
44	1	EAS2048J88A	Cover Assy - Top
45	1	EAS2048J90A	Mount - Assy, Monitor
46	1	EAS2048J91A	Door Assy - Blue
47	1	EAS2048J92A	Drawer Assy - Blue
48	1	EAS2057P27A	Access Panel
49	1	EAL0343J88A	Label - Patent
50	1	5 - 11026A	Strap - Nylon, 3/4 x 72"

Cabinet - Miscellaneous

Ref	Qty	Part Number	Description
4	2	1-01737A	Nut - Esna, M4
5	2	1-04084A	Standoff - Nylon
6	7	1-16006A	Screw - M5 X 12mm Pan Hd, Blk
7	1	8-08116A	Bushing - Remote
8	1	EAA0272J20A	Receiver Assy - Remote ver 1
		EAP0238J54A	USB I/R Remote Receiver
9	1	EAA0305J31A	Cabinet Assy - Hofmann Core
10	1	EAL0343J22A	Window - Remote
11	1	EAL0343J76A	Label - Electrical/Serial
12	1	EAL0343J83A	Scuff Guard - Cabinet, Hofmann
13	1	EAL0343J85A	Decal - Logo, Hofmann
15	1	EAS2024P49A	Cover Assy Remote
16	1	EAS2024P59A	Tray - Mouse Mat/Remote Assy
		EAA0321J20A	Remote & USB Receiver with mouse pad

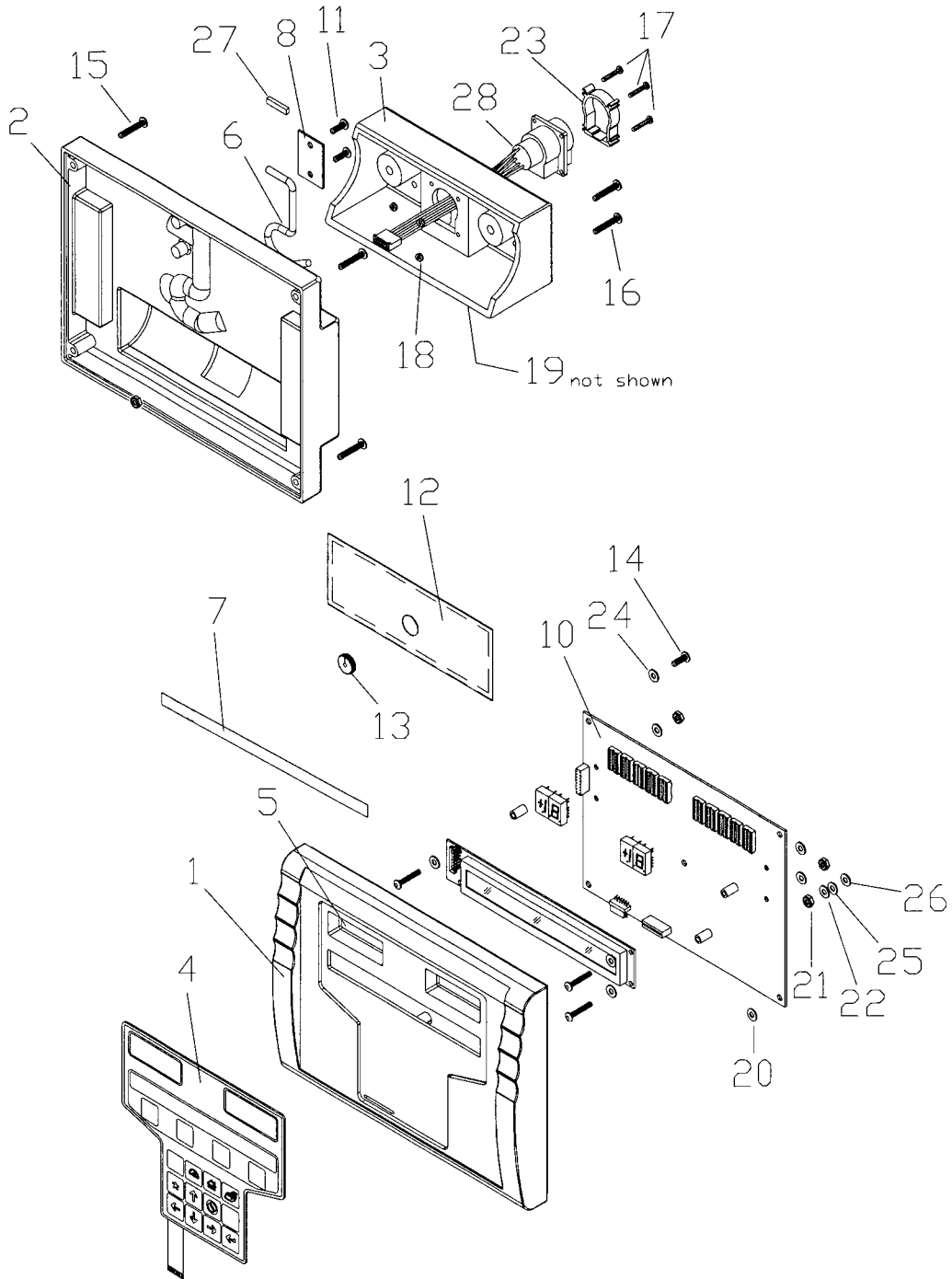


Miscellaneous Parts not shown

Qty	Part Number	Description
1	00088620000	Wheel Chock -Inner
1	00088621000	Wheel Chock- Outer
1	00000096000	Depressor Ass'y - Pedal
1	00055502000	Clamp Ass'y - Wheel, Steering
1	00088690000	Remote Control, V97
2	01122063000	Battery - AA, 1.5V Alkalyne
1	EAK0222J17A	Voice Align Kit:
•	2-29466A	Headset Base / Belt Pk Dom
•	2-29666A	Headset Assy - Voice Control
•	2-29466A01	Switch Accessory
•	5-10426A1	Tape - Hook Velcro, #88
•	5-10426A2	Tape - Loop Velcro, #1000
•	TEAK0222J17A0	Installation Instr - Headset
1	00089209000	Cord - Power, Adapter, 12"
1	00088927000	Label-elec/Serial, Desktop
1	01122651000	Label - caution, Electrical Shock
1	00089518000	Label-shut Down, Windows
1	00000331000	Convex Mirror
1	00064222000	Portable Slip Plate
1	3-03506A	Printer
1	00088931000	Power Cord/Label Accessory, 115v
1	EAL0343J84A	Mouse Pad - Hofmann
1	EAK0256J60A	Literature Pack EEWA710A/711A/AC
4	EAS2040P10A	Bracket - Clamp & Head - Conventional
1	3-02608A	Monitor - 17" Color
1	3-02408A	Monitor - 15" Color
1	EAS2084J08A	Monitor bracket
	00088716000	Decal - Keyboard, Function Keys
	3-02806A	PC - Dell
	3-40926AC1	Software - Accessory - Northstar Shim
	EAL0343J64A	Label - Caution
1	EAL0343J86A	Decal - Geoliner 460
1	EAL0343J89A	Decal - Geoliner 480
1	EAL0343J87A	Decal - Geoliner 482

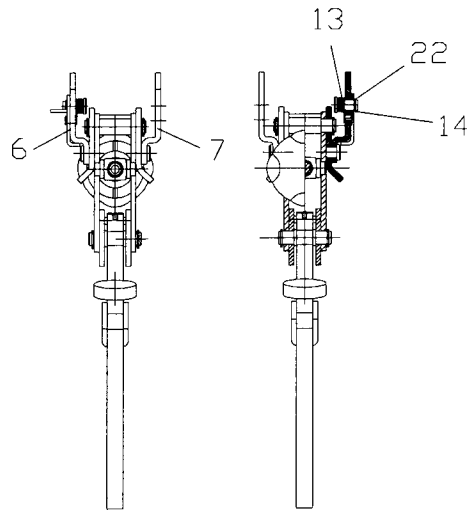
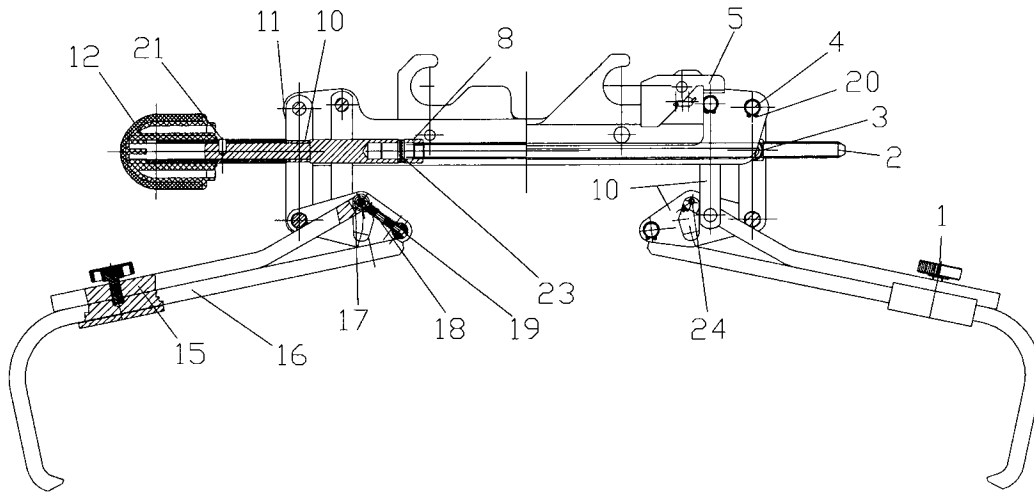
Remote Readout

EAK0222J77A



Ref	Qty	Part Number	Description
1	1	EAC0055J92A	Bezel Front Remote Black
2	1	EAC0055J91A	Panel - Rear Remote Black
3	1	EAC0055J90A	Pivot - Base, Black
4	1	EAA0287J60A	Switch - Membrane, Remote Pro32
5	2	00086179000	Window - LED, Remote
6	1	00086180000	Hook - Remote
7	1	00081226000	Decal-Remote Display
8	1	00086183000	Plate - Cover, Hook
9	2	01101740000	Screw - BHCS, #8 - 32 X 1/4 Hs
10	1	00086185000	PCB Ass'y - Remote
12	1	00086262000	Cover - Seal, Remote
13	1	01122121000	Grommet
14	5	01101554000	Screw - BHCS, #8 - 32 X 3/8 Hs
15	4	01122106000	Screw - BHCS, #8 - 32 X 1.0
16	2	01101777000	Screw - BHCS, 1/4 - 20 X 1 1/4 Hs
17	4	01115607000	Screw - RHMS, #4 - 40 X 3/4 Phi
18	4	01122109000	Nut - Keps, #4 - 40 Cd/Zn
19	4	8-03642A	Catch - Magnetic, Medium
20	5	01122122000	Washer - Nylon, .375od X .171id
21	2	01101609000	Nut - Stop, 1/4 - 20 Unc - 2b Cad
22	2	01122110000	Washer - Spring, .27 Id X .5
23	1	00083327000	**Support - Receptacle(alum/Extr
24	5	01122107000	Washer - Flat, Nylon
25	2	01122108000	Washer - Flat, Nylon
26	2	01107381000	Washer - Flat, 1/4 Obs02j0703a
27	0.04	00985268000	Seal - Strip, 1/16 X 1/4
28	1	00083113000	Cable Ass'y - Head

Quick Clamp



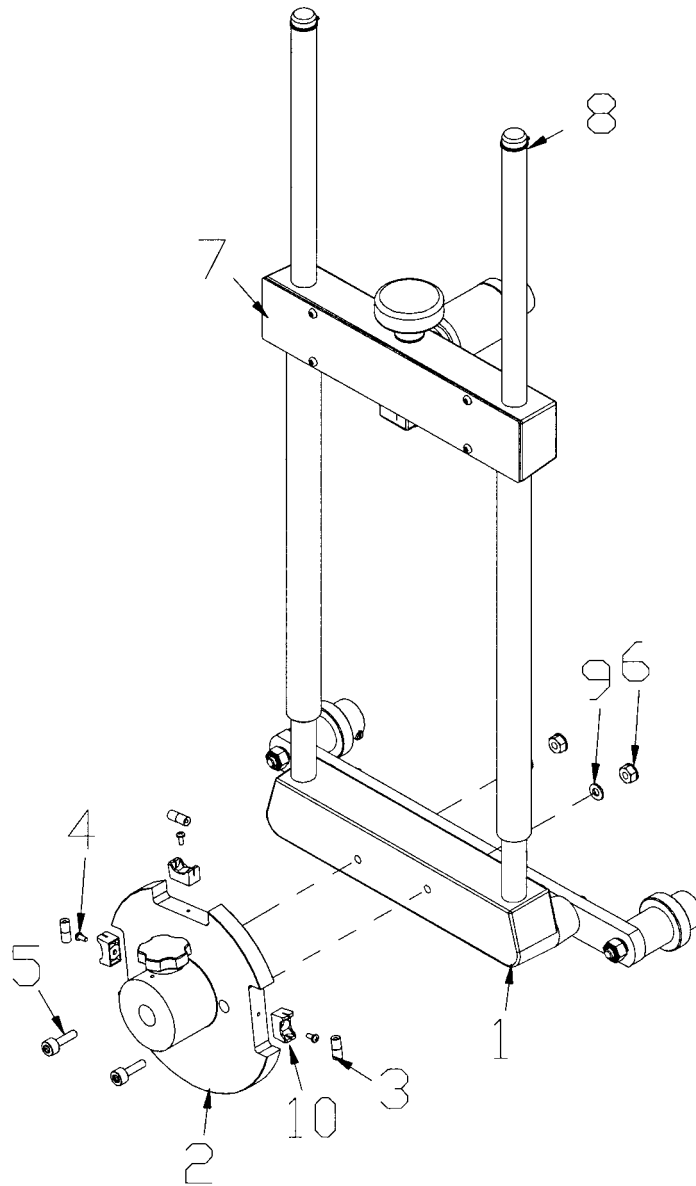
Item	Part No.	Description
1	EA00079J91A	Knob-Hook Adjust
2	EAM0047J35A	Screw-Quick Clamp
3	EAM0047J36A	Nut-Quick Clamp
4	EAM0047J37A	Pin-FourBar Pivot
5	EAS2084J53A	Latch-Quick Clamp
6	EAS2084J75A	Plate Assy Mount Top
7	EAS2084J76A	Plate - Assy At Bottom
8	EAM0047J39A	Coupling-Lead
9	EAA0333J43A	Link - Narrow Assy
10	EAM0047J40A	Knuckle-Coupling
11	EAS2084J71A	Link-Wide
12	EA00079J93A	Knob - Spacer Assy
13	EAM0047J74A	Spring-Torsion,
14	EAM0047J43A	Pin-Spring
15	EAM0047J44A	Bar-Pivot Weldment
16	EAM0047J34A	Bar-Tire Hook
17	EAM0047J45A	Hook-Eye
18	EAM0047J46A	Spring-Compression
19	EAM0047J47A	Pin-SpringGuide
20	1-17977A	Retaining Ring 8mm
21	1-7410	Screw M4x8
22	1-18077A	Retaining Ring 6mm
23	1-5752	Spring Pin 4X12
24	1-20652A	Spring Pin 3X20

EAC0079J90A	Quick Clamp
EAK0268J63A	Quick Clamp Kit (4 Clamps)
EAK0268J95A	Tip Kit - Inside Mount (20 of EAC0079J57A)
EAK0268J96A	Tip Kit - Outside Mt. (20 of EAC0079J58A)
EAK0268J97A	Tip Kit - Outside Mt. VW (20 of EAC0079J82A)

Truck Wheel Clamp

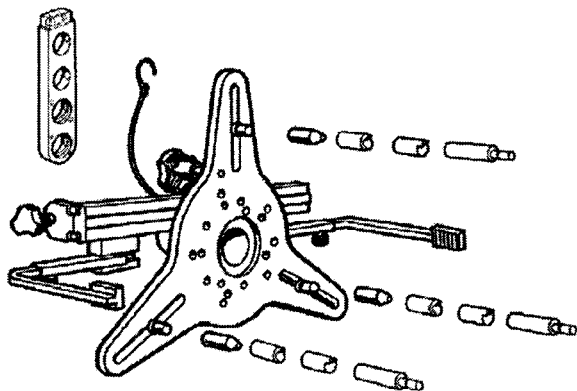
EAM0016J38A – Right Hand

EAM0016J79A – Left Hand



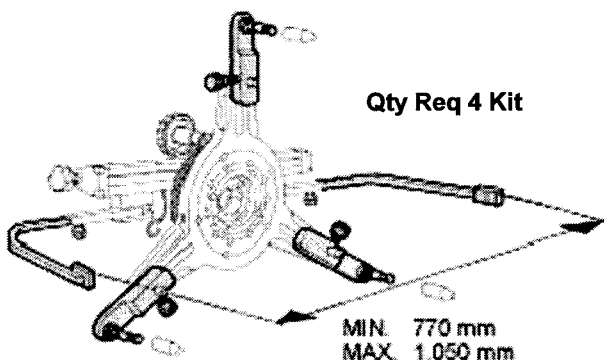
Ref	Qty	Part Number	Description
1	1	EAM0016J33A	Clamp Assy - Lwr Brkts & Rods, RH
		EAM0016J78A	Clamp Assy - Lwr Brkts & Rods, LH
2	1	EAM0016J16A	Disc Assy - Index
3	3	1-16981A	Level Vial
4	3	1-1906	Screw - 4 - 40 X 1/4 PHMS - ZN
5	2	1-46209A	Screw - SHCS, #10 - 24 X 3/4 Nc - 3a
6	2	1-7733	Nut & Lk Washer Assy #10 - 24
7	1	EAM0016J42A	Locking Assy - Wheel Clamp, Trk
8	2	1-13977A	Ring - Retaining, .625
9	2	1-18441A	Washer - Flat, #10 1/2od X 7/32i
10	3	2-03732A	Flange - Mtg, Vial

Femas Clamp

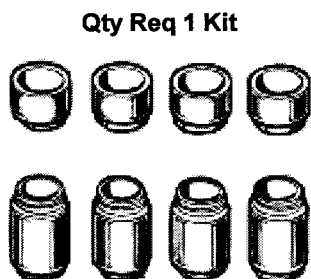


- 1 EAK0222J29A Wheel Clamp Alloy Kit (Includes 4 clamps)
- 4 EAA0256J62A Wheel Clamp - Alloy (AR 10" - 21")
- 1 EAK0222J26A Adapter Kit Spoiler (Alloy WC) 2 PCS.
- 4 EAK0222J21A Shoe Kit - Tapered, (Alloy Wc)
- 4 EAK0222J22A Gripper Shoe Kit, Short (Alloy WC)
- 4 EAK0222J24A Gripper Shoe Kit, Shaped (Alloy WC)
- 4 EAK0222J25A Shoe Kit, Extensions (Alloy WC)
- 4 EAL0343J27A Decal, Runout

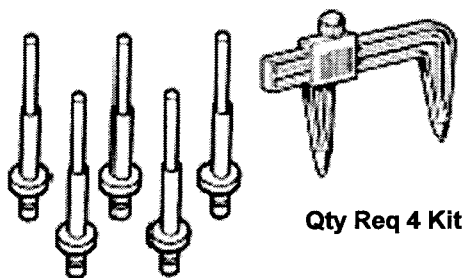
Optional Femas Accessories



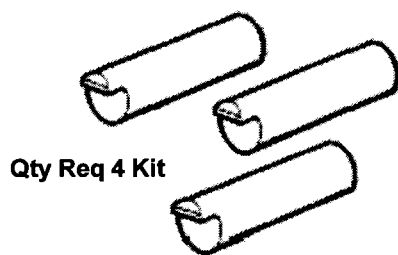
EAK0222J27A Extension Adaptor Kit



EAK0222J20A Porsche Adaptors



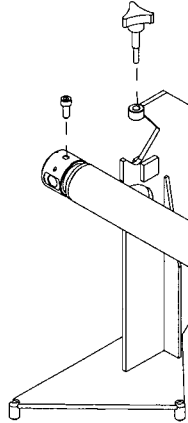
EAK0222J28A Kit, Hub Pins For Mercedes-Benz & BMW



EAK0222J23A Long Gripper

Calibration Equipment Kit EAK0222J02A

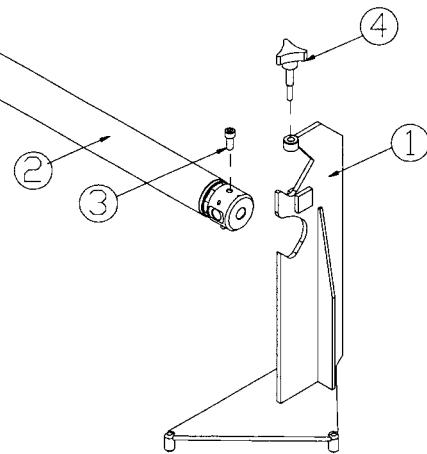
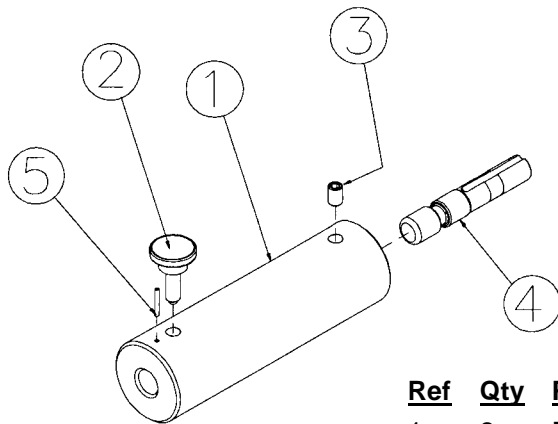
- Made from EAA0256J36A 2 Stands comp. & EAA0256J34A Complete Bar



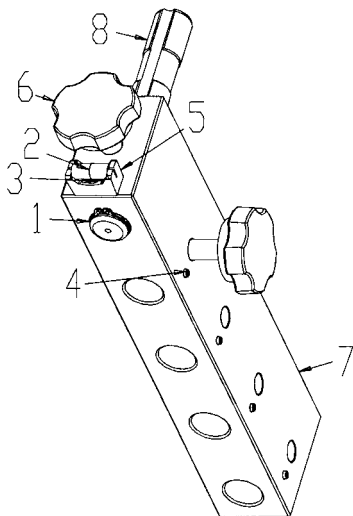
<u>Ref</u>	<u>Qty</u>	<u>Part Number</u>	<u>Description</u>
1	2	EAA0256J17A	Calibration Stand
2	1	EAC0055J11A	Bar Ass'y - Calibration
3	2	EAM0007J19A	Screw - Shaft Clamp
4	2	EAM0007J34A	Knob, Clamp - Calibration Bar

Dual Wheel Adapter

EAK0222J40A



<u>Ref</u>	<u>Qty</u>	<u>Part Number</u>	<u>Description</u>
1	2	EAM0007J45A	Offset Wheel Adapter
2	2	EAC0055J46A	Knob - Shaft Clamp
3	2	1-47910A	Screw - HHSS, M8 X 1.25 X 12mm
4	2	EAM0007J33A	Stub Shaft
5	2	1-18052A	Roll Pin - 2.5 X 18mm



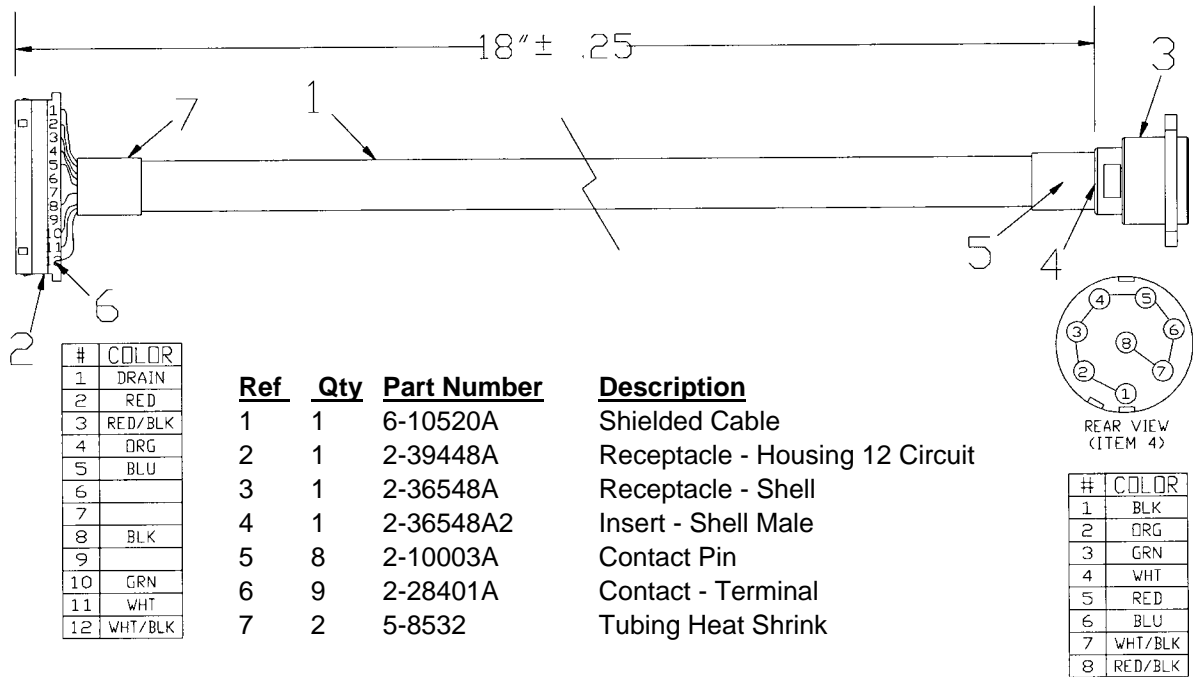
Spoiler Adapter Kit EAK0268J73A (2)

EAA0333J03A (1)

<u>Ref</u>	<u>Qty</u>	<u>Part Number</u>	<u>Description</u>
1	2	1-13677A	Ring - Retaining
2	1	1-16981A	Level Vial - P/N 0150
3	1	1-33206A	Screw - PHMS M3 X 8 Zn
4	4	1-37410	Screw - Set M3x.5x10mm Cup Point
5	1	2-03732A	Flange - Mtg, Vial
6	2	EAC0055J46A	Knob - Shaft Clamp
7	1	EAM0044J58A	Spoiler Adaptor Wheel Clamp
8	1	EAM0044J59A	Shaft Spoiler Adaptor Std

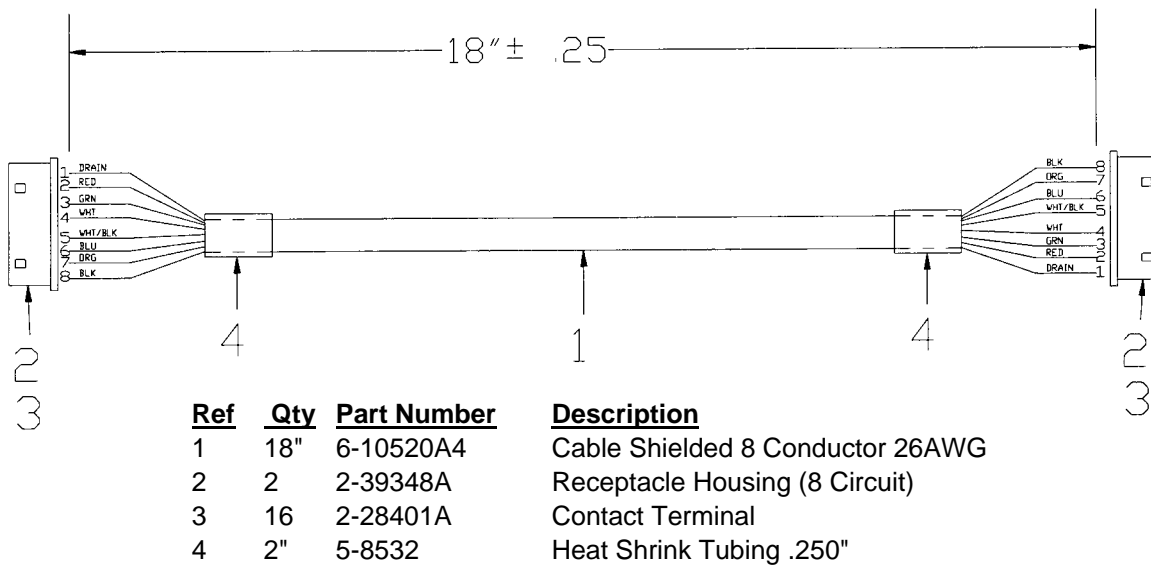
Main Sensor Power Cable

EAW0235J00A



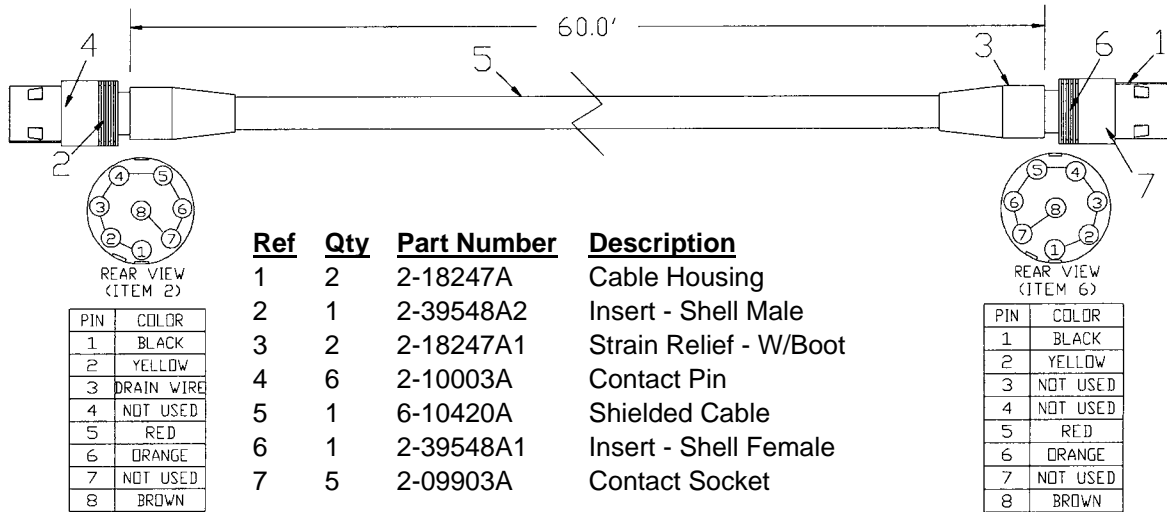
Tilt Cable

EAW0235J03A



HIB To Wheel Sensor Cable

EAW0235J19A – Long 60'
 EAW0235J09A – Short 30'



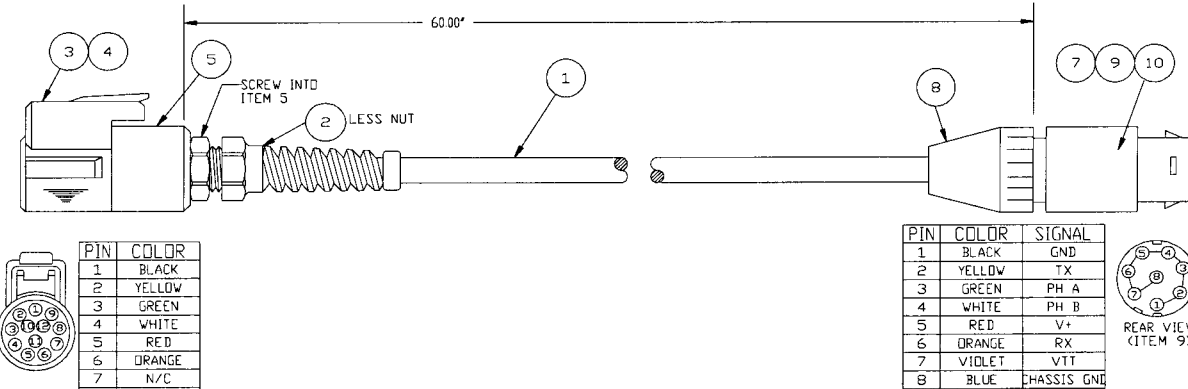
Ref	Qty	Part Number	Description
1	2	2-18247A	Cable Housing
2	1	2-39548A2	Insert - Shell Male
3	2	2-18247A1	Strain Relief - W/Boot
4	6	2-10003A	Contact Pin
5	1	6-10420A	Shielded Cable
6	1	2-39548A1	Insert - Shell Female
7	5	2-09903A	Contact Socket

PIN	COLOR
1	BLACK
2	YELLOW
3	DRAIN WIRE
4	NOT USED
5	RED
6	ORANGE
7	NOT USED
8	BROWN

PIN	COLOR
1	BLACK
2	YELLOW
3	NOT USED
4	NOT USED
5	RED
6	ORANGE
7	NOT USED
8	BROWN

Electronic TT to Wheel Sensor

EAW0235J33A



Ref	Qty	Part Number	Description
1	60"	6-09720A	Cable 9 Conductor
2	1	8-07219A	Fitting - Flex
3	1	2-16047A	Connector - Plug, 12 pin
4	6	2-08403A	Contact Socket
5	1	EAM0007J40A	Sleeve 12.5 X .75THK, Tapped
N/S	0.06	6-33523	Wire - 24 AWG Black
7	1	2-18247A	Housing Cable
8	1	2-18247A1	Strain Relief -W/Boot
9	1	2-39548A1	Insert - Shell Female
10	7	2-09903A	Contact Socket
N/S	0.04	5-8332	Tubing - Heat Shrink, 1/8"

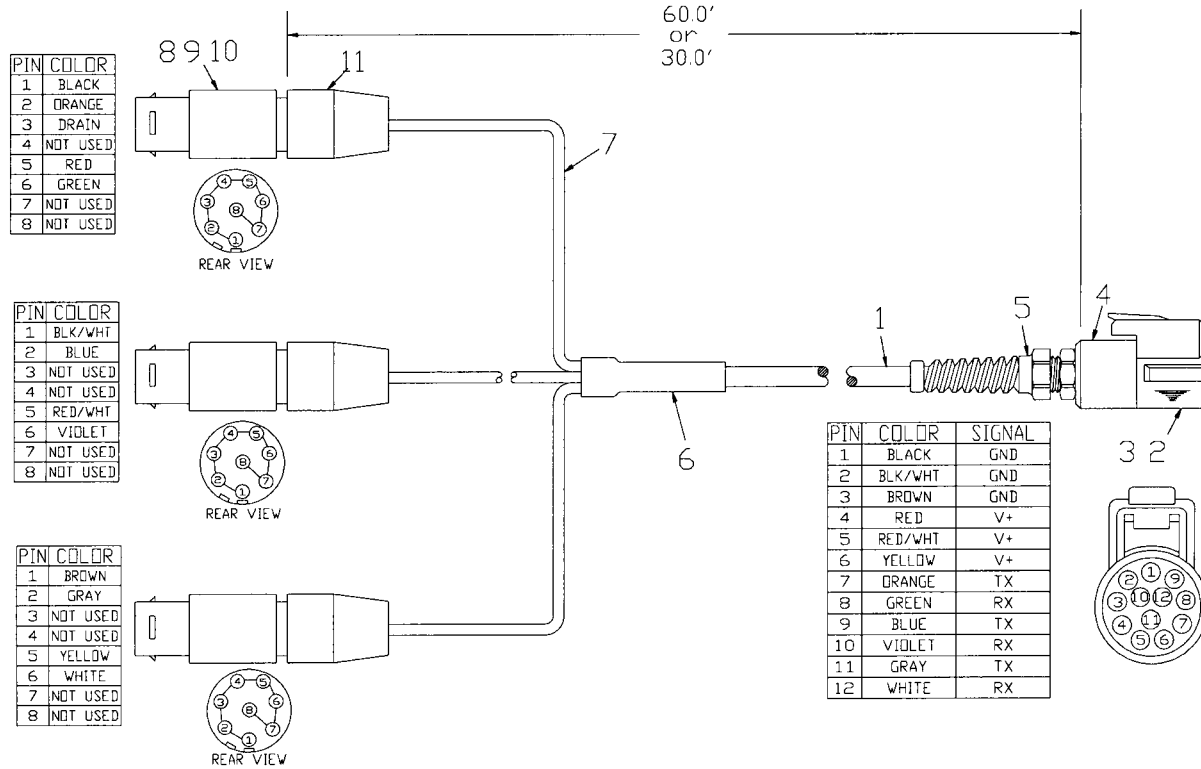
PIN	COLOR
1	BLACK
2	YELLOW
3	GREEN
4	WHITE
5	RED
6	ORANGE
7	N/C
8	N/C
9	N/C
10	VIOLET
11	N/C
12	N/C

PIN	COLOR	SIGNAL
1	BLACK	GND
2	YELLOW	TX
3	GREEN	PH A
4	WHITE	PH B
5	RED	V+
6	ORANGE	RX
7	VIOLET	VTT
8	BLUE	CHASSIS GND

HIB BOX To Junction Box Wired Lift

30' EAW0235J15A

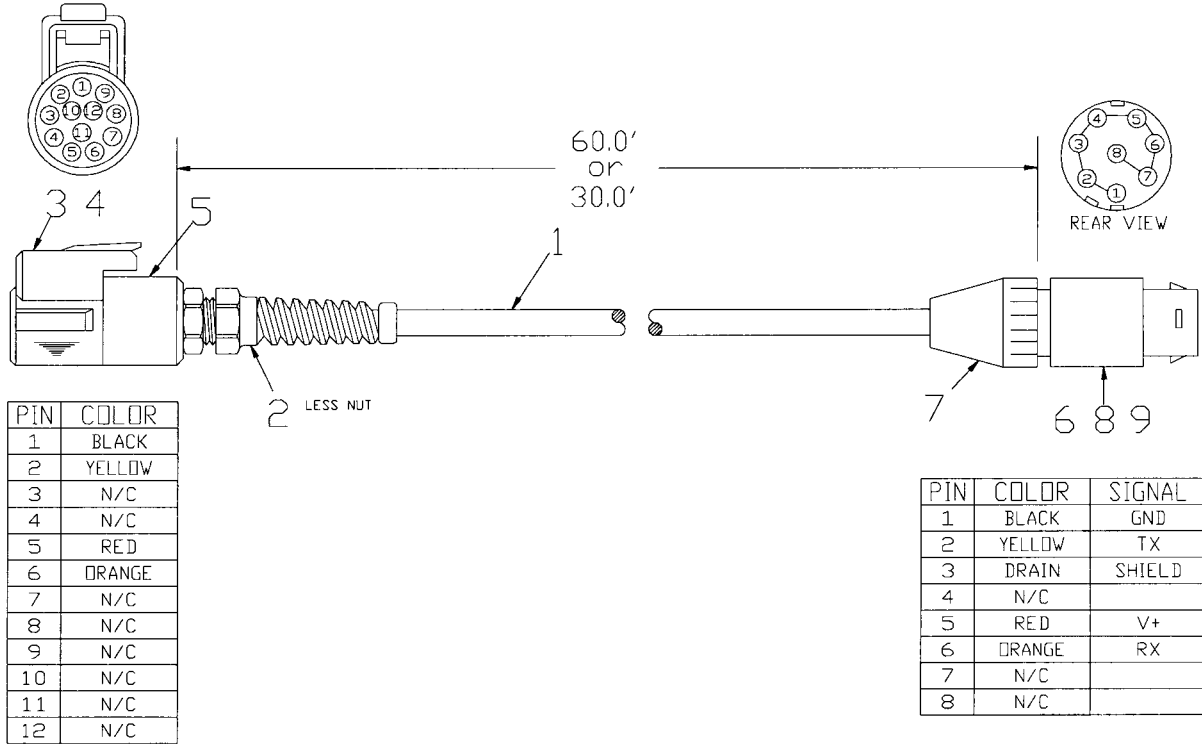
60' EAW0235J32A



Ref	Qty	Part Number	Description
1	30'	6-09820A	Cable 12 Conductor, 24 AWG
2	2	2-16047A	Connector Plug, Quick Connect
3	12	2-08403A	Contact Socket
4	1	EAM0007J40A	Sleeve 12.5 X .75THK, Tapped
5	1	8-07219A	Fitting - Flex
6	.25"	5-8632	Tubing Heat Shrink 3/16"
7	1.25"	5-8432	Tubing Heat Shrink 3/8"
8	3	2-18247A	Housing Cable
9	3	2-39548A2	Insert Shell (Male)
10	13	2-10003A	Contact Pin
11	3	2-18247A1	Strain Relief -W/Boot

ETT / Remote To HIB

60' EAW0235J16A
30' EAW0235J17A



<u>Ref</u>	<u>Qty</u>	<u>Part Number</u>	<u>Description</u>
1	60'	6-08020A	Cable - 4 Conductor
2	1	8-07219A	Fitting - Flex
3	1	2-16047A	Connector - Plug, 12 pin
4	4	2-08403A	Contact Socket
5	1	EAM0007J40A	Sleeve 12.5 X .75THK, Tapped
6	1	2-18247A	Housing Cable
7	1	2-18247A1	Strain Relief -W/Boot
8	1	2-39548A2	Insert Shell (Male)
9	5	2-10003A	Contact Pin

Rack Wiring Kit

EAK0222J51A (Short Kit)

EAK0222J82A (Long Kit)

<u>Ref</u>	<u>Qty Req.</u>	<u>Part Number</u>	<u>Description</u>
1	1	EAA0287J19A	Box Assy - Junction, RR External
2	2	EAA0287J32A	Box Assy - Junction, FRT External
3	6	1-02783A24	Duct - Latching, Panduit
4	4	1-02783A12	Duct - Latching, Panduit
5	8	1101849000	Screw - Self Tap, #12 - 24 X 3/8
6	4	EAW0235J33A	Cable Ass'y - Ett To Head
7	2	EAW0235J15A	Cable Ass'y - USB To Junction Bx (Short Kit)
	2	EAW0235J32A	Cable Ass'y - USB To Junction Bx (Long Kit)
8	12	00069735000	Duct - Latching, Panduit Tiedo
9	8	01122202000	Grommet
10	1	00069821000	Carton
11	1	08501540000	Bag - Plastic
12	1	TEAK0222J51A0	Install Instruct - Rack / CCD Algn
13	1	EAA0287J18A	Box Assy - Junction, LR External

EAA0287J18A Box Assy - Junction, LR External

<u>Qty</u>	<u>Part Number</u>	<u>Description</u>
1	00068899000	Box - Junction, Rear
1	EAW0244J54A	Cable Assy - Wired Lift
1	00086767000	PCB Ass'y - Wiring Kit
4	00074292000	Support - PCB
8	01101885000	Screw - Self Tap, #4 - 40 X 3/4
2	00083327000	Support - Receptacle(alum/Extr
2	00985166000	Foam - Adhesive, 1/8 X .38 Rol
1	EAW0244J55A	Cable Assy - Junction Box Extrnl
1	00090757000	Label - Unit Power

EAA0287J19A Box Assy - Junction, RR External

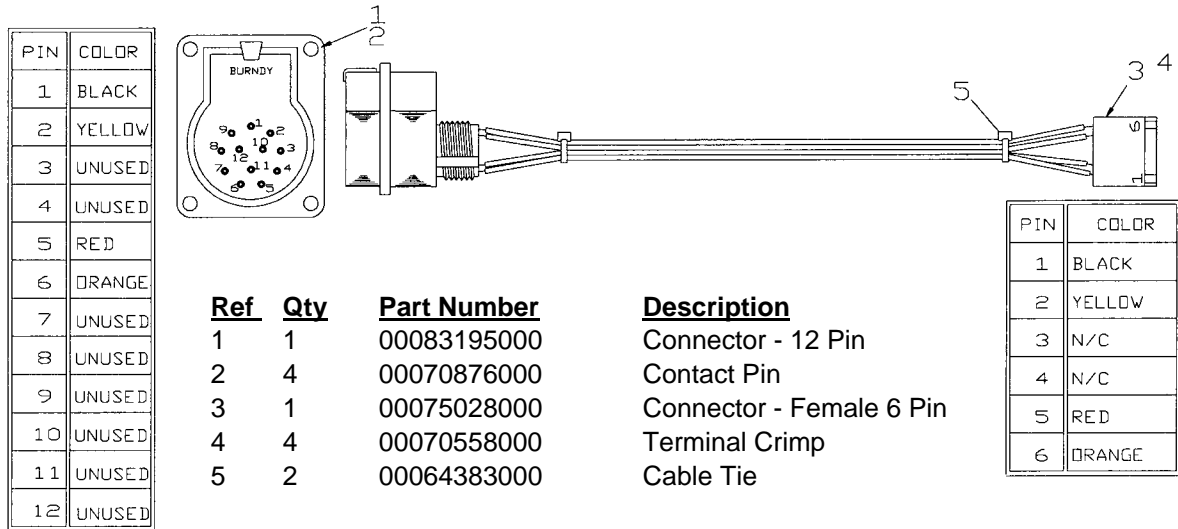
<u>Qty</u>	<u>Part Number</u>	<u>Description</u>
1	00068899000	Box - Junction, Rear
1	EAW0244J54A	Cable Assy - Wired Lift
1	00086767000	PCB Ass'y - Wiring Kit
4	00074292000	Support - PCB
8	01101885000	Screw - Self Tap, #4 - 40 X 3/4
2	00083327000	Support - Receptacle(alum/Extr
2	00985166000	Foam - Adhesive, 1/8 X .38 Rol
1	EAW0244J55A	Cable Assy - Junction Box Extrnl
1	00090757000	Label - Unit Power

EAA0287J32A Box Assy - Junction, FRT External

<u>Qty</u>	<u>Part Number</u>	<u>Description</u>
1	00068899000	Box - Junction, Rear
2	EAX0043J63A	Cable Assy - Front
8	01101885000	Screw - Self Tap, #4 - 40 X 3/4
2	00083327000	Support - Receptacle(alum/Extr

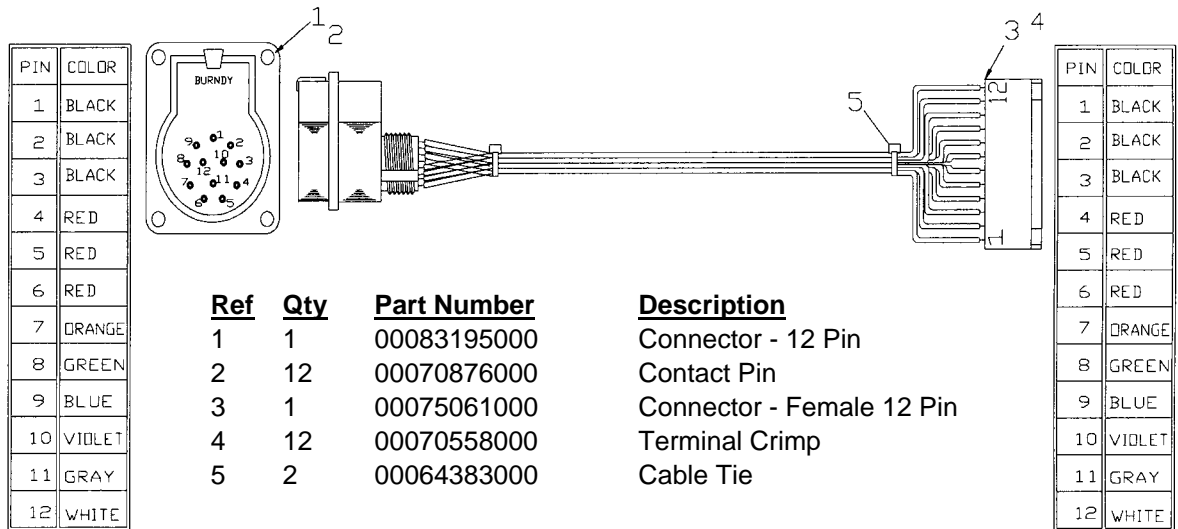
Cable Assembly Wired Lift

EAW0244J54A



Cable Assembly Junction Box

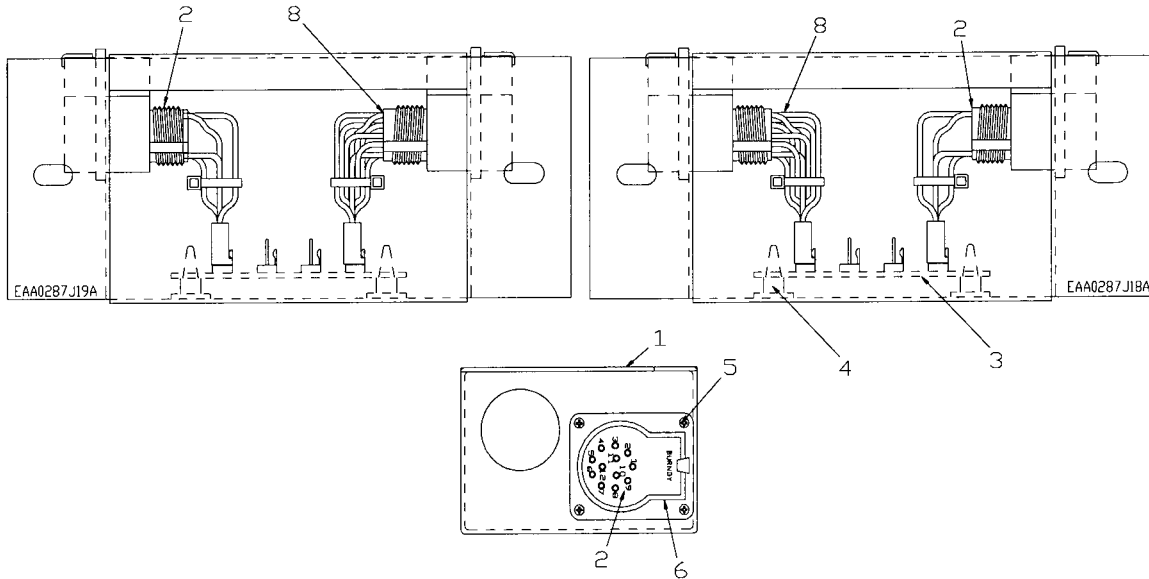
EAW0244J55A



Junction Box Assembly

Left Rear – EAA0287J18A

Right Rear – EAA0287J19A



<u>Ref</u>	<u>Qty</u>	<u>Part Number</u>	<u>Description</u>
1	1	00068899000	Box - Junction, Rear
2	1	EAW0244J54A	Cable Assy - Wired Lift
3	1	00086767000	PCB Ass'y - Wiring Kit
4	4	00074292000	Support - PCB
5	8	01101885000	Screw - Self Tap, #4 - 40 X 3/4
6	2	00083327000	Support - Receptacle(alum/Extr
7	2	00985166000	Foam - Adhesive, 1/8 X .38 Rol
8	1	EAW0244J55A	Cable Assy - Junction Box Extrnl
NS	1	00090757000	Label - Unit Power

Additional Rack Wiring Kits

EAK0222J86A KIT - 60' UPGRADE

1	2-37666A	Power Supply - 10v, 40w
2	EAW0235J32A	Cable Assy - USB To Junct. Box (Long, 3 headed)
1	3-29626AD1	Sftwr Assembly - Update Disk,HIB
1	TEAK0222J86A	Instructions - 60' Upgrade Kit

EAK0222J37A Wiring Kit and ETT for CCD aligner: Used for supplying Electronic Turntables and head cables for CCD aligner. Kit consists of 33' turntable to console cables included.

<u>Qty</u>	<u>Part Number</u>	<u>Description</u>
1	82EUR	Set of Electronic Turntables
1	EAK0222J32A	Wiring kit CCD Standard (Short, 33')

EAK0222J38A Wiring kit and ETT for CCD aligner: Used for supplying Electronic Turntables and head cables for CCD aligner. Kit consists of 60' turntable to console cables included.

<u>Qty</u>	<u>Part Number</u>	<u>Description</u>
1	82EUR	Set of Electronic Turntables
1	EAK0222J33A	Wiring kit CCD Standard (Long, 60')

EAK0222J31A CCD head Wiring Kit: Used to update a current external 86815 rack wiring kit to CCD alignment.

Qty	Part Number	Description
2	EAW0235J15A	Cable - Junction Box to HIB
4	EAW0235J33A	Head Cable to Rack

EAK0222J32A CCD Head Short ETT Kit. Used if rack is already equipped with Electronic Turntable but NO Wiring Kit. Kit includes 33' turntable to console wires and two head cables.

<u>Qty</u>	<u>Number</u>	<u>Description</u>
2	EAW0235J17A	Electronic Turntables to HIB, Short
2	EAW0235J33A	Head Cable to Rack

EAK0222J33A CCD Head Long ETT Kit. Used if rack is already equipped with Electronic Turntable but NO Wiring Kit. Kit includes 60' turntable to console wires and two head cables.

<u>Qty</u>	<u>Part Number</u>	<u>Description</u>
2	EAW0235J16A	Electronic Turntables to HIB, Long (3 Headed)
2	EAW0235J33A	Head Cable to Rack



HOFMANN USA

309 Exchange Ave. Conway, AR 72032 Phone 800-251-4500 Fax 501-450-2085
www.hofmann-usa.com

HOFMANN BALANCING TECHNIQUES LTD. CANADA

6500 Millcreek Dr. Mississauga, Ontario L5N 4G4 Phone 800-267-2185 Fax 905-821-2073
www.hofmann.ca