

Geoliner 650 & 660

Spare parts list



HOFMANN®



All information contained or disclosed in this document is considered confidential and proprietary by Snap-on Tools Company. All manufacturing, use, reproduction, and sales rights are reserved by Snap-on Tools Company and the information contained herein shall not be used in whole or in part without the express written consent of Snap-on Tools Company.

Table of Contents

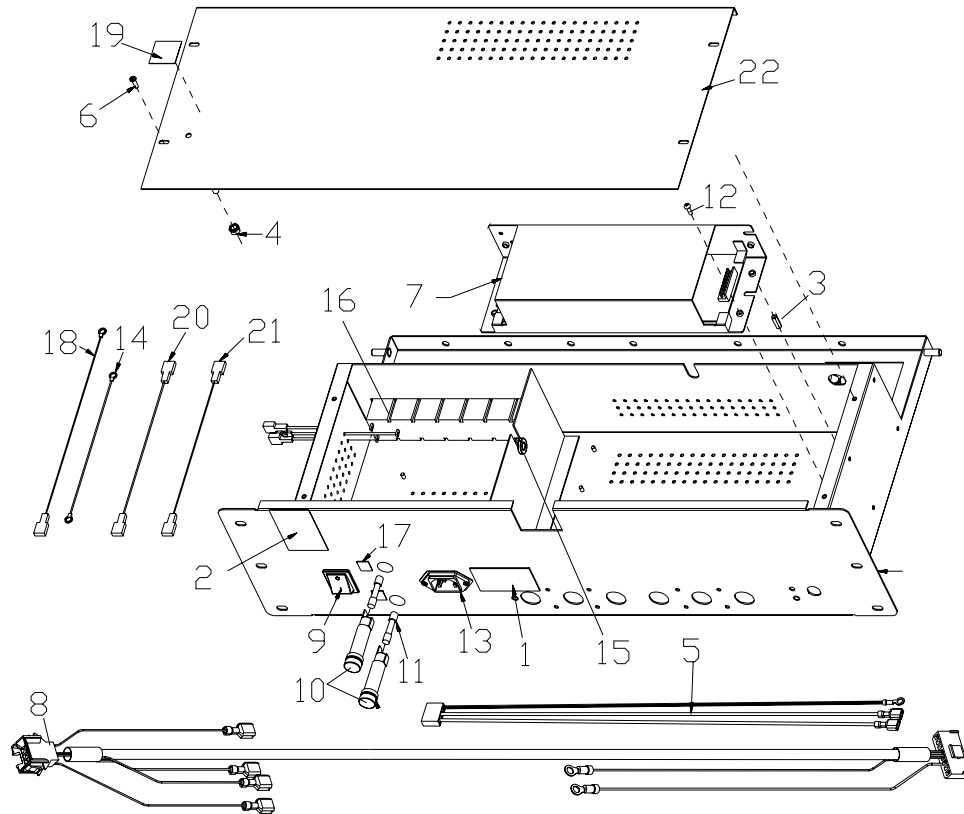
PC ASSEMBLY	2
POWER SUPPLY	3
WHEEL CLAMP AND TARGET Version I	6
WHEEL CLAMP Version II	8
IMAGE TARGETS.....	9A
RIDE HEIGHT MEASUREMENT TOOL.....	10
CAMERA BEAM ASSEMBLY	11
CAMERA TOWER	12
CAMERA BASE	12
MISCELLANEOUS PARTS	13
MOVEABLE BEAM	14
FEMAS CLAMP	16
OPTIONAL FEMAS ACCESSORIES.....	16
RCP CHECK FIXTURE	17
CALIBRATION FIXTURE	18
Remote Readout Display	19
USB HIB Box	21

PC ASSEMBLY

<u>Qty</u>	<u>Part Number</u>	<u>Description</u>
1	0008871700	Keyboard Kit
1	00088716000	Label - F Keys
1	3-02806A	PC - Dell
1	3-03106A	Mouse (Dell)
1	3-02506A01	USB Keyboard
1	EAL0343J64A	Label - Caution
1	00088716000	Decal - Keyboard, Function Keys
1	3-03506A	Printer - Color, Inkjet
1	00088910000	Paper - Printer, Laser
1	6-02422B6	USB Cable (Printer)
1	5-10426A1	Tape - Hook Velcro, #88 - 0.67 Length
1	5-10426A2	Tape - Loop Velcro, #1000 - 0.67 Length
1	00089209000	Cord - Power, Adapter, 12"
1	EAL0343J84A	Pad - Mouse, HOFMANN
1	3-02308A	19" Flat Screen (660)

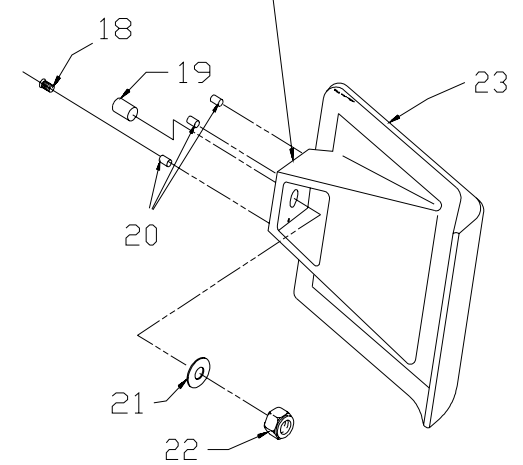
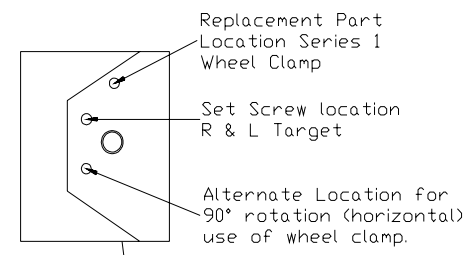
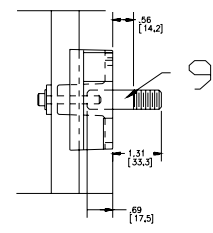
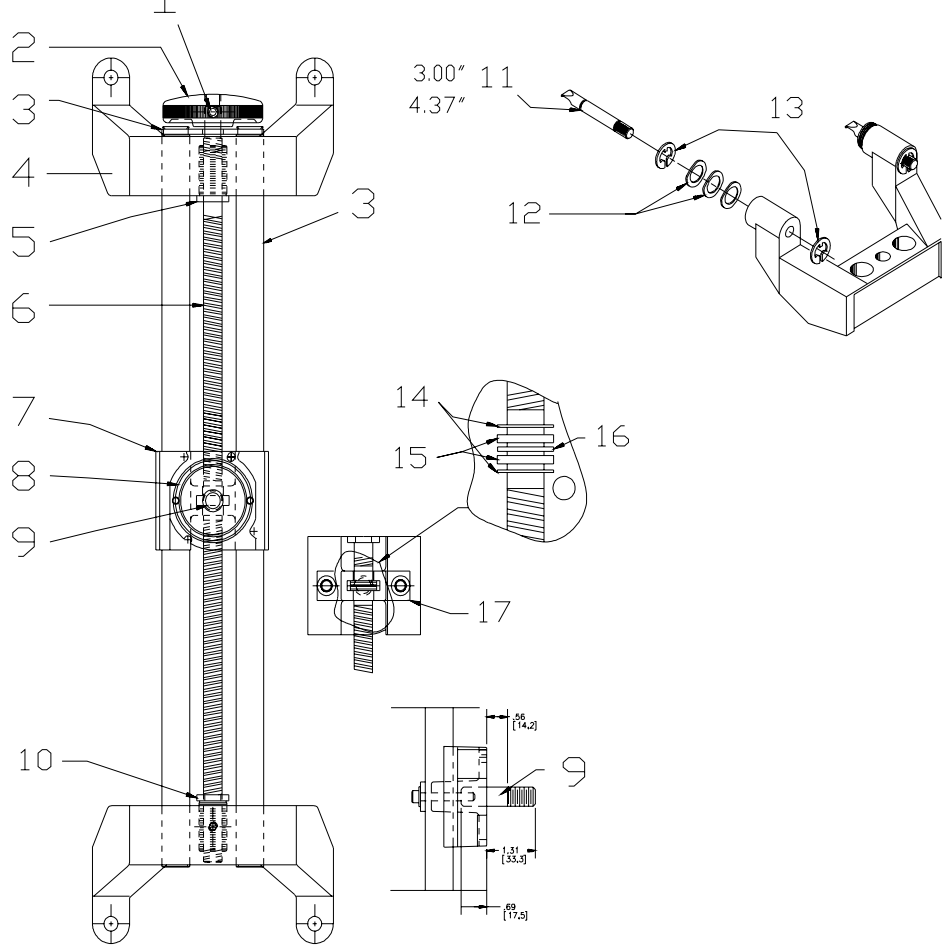
POWER SUPPLY

EAA0305J63A



<u>Ref</u>	<u>Qty Req.</u>	<u>Part Number</u>	<u>Description</u>
1	1	00086164000	Label - Fuse
2	1	00086465000	Label - Warning, Shock
3	4	1-09161A	Spacer - HexThreaded, M3 X 14mm
4	2	1-13633A	Nut - M5, Hex, Zinc
5	1	EAW0235J41A	Cable - Power, 3 Way
6	4	1-18206	Screw - M3 X 12mm Pan Hd, Blk
7	1	2-43166A	Power Supply - ULTRA
8	1	EAW0235J45B	Cable Assembly - Pwr, Supply to back of cab.
*	1	EAW0235J46A	Cable Assy' Camera boom to back of cab. & PC
9	1	2-12258A	Switch - Rocker On/Off Black
10	2	2-15651A	Holder - Fuse
11	2	2-18451A	Fuse - 5a, Slo Blo
12	4	1-02007A	Screw - PHMS, M3 X 10mm
13	1	2-37348A	Receptacle - Cord, Power
14	1	EAW0243P26A	Link Wire Ground To Ground
15	1	8-09016A	Grommet - Split, 3/8 Groove Dia
16	1	EAA0261P60A	Cable - IEC Power Block Assembly
17	2	EAL0345P51A	Label - Fuse 5A
18	1	EAW0243P25A	Cable - Link Wire
19	1	EAL0345P54A	Label - Electrical Warning
20	2	EAW0243P23A	Cable - Link Wire, Blue
21	2	EAW0243P22A	Cable - Link Wire, Brown
22	1	EAS2057P26A	HIB Cover Assembly
23	1	EAS2057P21A	USB HIB Shelf Wldmt
*	2	2-31001A	Terminal - Quick Connect
*	1	00088635000	Power Cord - 3 Cond IEC - 301
*	2	00089267000	Cord - Power, IEC 320, M - F, 6 Ft

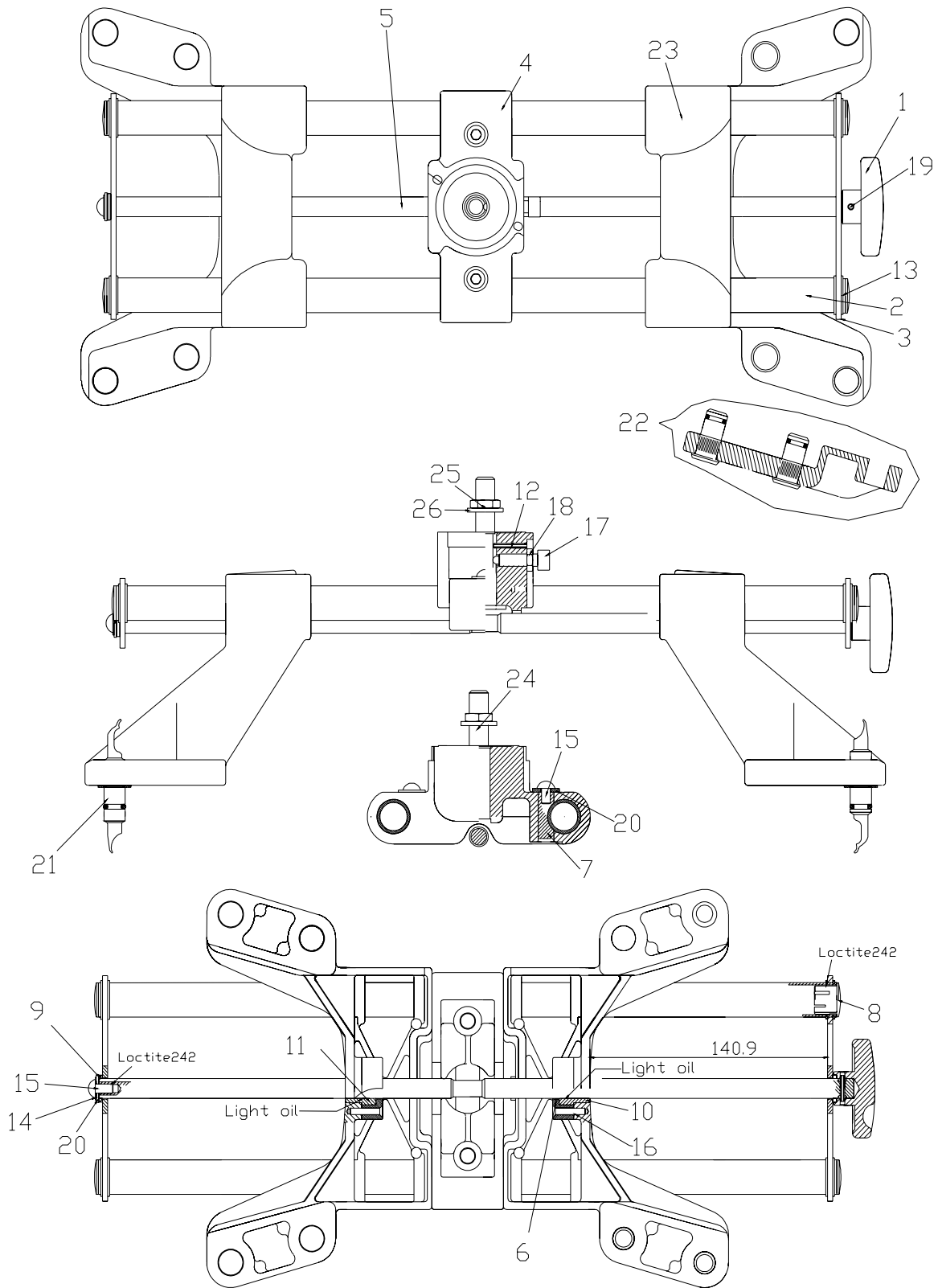
WHEEL CLAMP AND TARGET Version I



WHEEL CLAMP AND TARGET

Ref	Qty	Part Number	Description
1	1	1-19252A	Pin - Roll, .156 X 1 ESNA
2	1	EAC0055J94A	Knob - Modified
3	1	00089539000	Tube Ass'y - Rod Retention Plate
4	2	EAC0055J78A	Wheel Clamp - Mach. Casting
5	1	00089410000	Insert - Thread,LH
6	1	00089408000	Screw - Lead,Wheel Clamp
7	1	00089412000	Mount - Spindle, Tube Support
8	1	8-08214A	O - Ring 1 3/4 X 2 1/8 X 3/16dia
9	1	00089413000	Spindle - 2.00I X .50dia
10	1	00089411000	Insert - Thread,RH
11	4	00088797000	Rim Claw - Long,4.37
11	4	00088794000	Rim Claw - Short,3.00
12	12	1-02843A	Washer - Spring, 3/8 Rod / Screw
13	8	1-2777	Ring - Retaining
14	2	1-21041A	Washer - Steel, .745OD X .510ID
15	2	1-02943A	Washer - Thrust,1/16t X 1/2ID X 3/4
16	1	1-14577A	Ring - Snap Rotor Chip Re-50
17	1	00089457000	Plate - Cover, Lead Screw
18	1	1-48610A	Screw - Set, #10-32 X 5/8 Hs Cup
19	1	00089456000	Bearing - Target, Front / Rear
20	2	1-10379A	Insert - Brass 240-332
21	1	1-1041	Washer - Flat,1/2
22	1	1-933	Nut - Hex, 1/2 - 13 UNC - 2B Cad / Zn
23	2	EAA0287J62AR	Target Sandwich - Front
	2	EAA0287J63AR	Target Sandwich - Rear
*	2	01103184000	Screw - HHCS, 1/4-20 X 1 1/2 PI
*	1	01122642000	Screw - 1/4 - 20 X 1/4 Nylon Tip
*	2	01187612000	Washer - Lock Int / Ext, 1/4 Zn
		00089452000	Rear Rim Clamp Assy'
		00089453000	Front Rim Clamp Assy'
		00089454000	RF Target / Clamp Assy'
		00089455000	RR Target / Clamp Assy'
		00089559000	LF Target / Clamp Assy'
		00089560000	LR Target / Clamp Assy'
		00088936000	CLAW & RING KITS Front
		00088937000	CLAW RING & KITS Rear

WHEEL CLAMP Version II Started in Production CY



WHEEL CLAMP Version II

Front Wheel Clamp SVO - EAK0268J56A

Rear Wheel Clamp SVO - EAK0268J57A

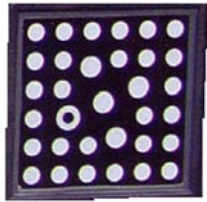
Ref	Qty	Part Number	Description
1	1	EAM0044J13A	Knob Wheel Clamp
2	2	EAM0044J14A	Tube - Wheel Clamp
3	2	EAS2084J29A	Retainer Plate
4	1	EAC0079J53A	Center Bracket
5	1	EAM0044J16A	double lead screw
6	2	EAC0079J50A	Cover Feed Screw Lock
7	2	EAM0044J22A	Pin Tube Lock
8	4	EAC0079J51A	Plastic Plug 19.0mm
9	2	EAC0079J52A	Thrust Washer
10	1	EAM0044J20A	Threaded bushing LH
11	1	EAM0044J24A	Threaded bushing RH
12	1	1-20652	Pin Spring M3 X 20
13	8	1-17677A	Retaining Ring
14	1	1-3347	Lockwasher M6
15	3	1-50309A	Screw M6 X 10mm
16	4	1-26506A	Screw PH Counter
17	1	EAM0044J47A	screw SHCS M8 X 30
18	1	1-20733A	Hex Nut
19	1	1-20652	Pin Spring M3 X 20mm
20	3	1-14144A	Washer M6 X 18
21	4	EAM0044J19A	Grabber Assembly
	1	EAM0044J18A	Grabber Dual End
	2	8-10214A	O-Ring 3.1mm X 7.8
	1	1-17577A	Retaining Ring E Style
22	4	EAM0044J12A	W/Clamp Extension Assy' (Optional)
	1	EAC0079J46A	Extension Casting
	2	EAM0044J11A	Pin - Extension
	2	8-10214A	O-Ring 3.1mm X 7.8
23	2	EAC0079J48A	Bracket Long Frt W/Clamp
	2	EAC0079J56A	Bracket - Short Rear W/Clamp
24	1	EAM0044J21A	Target Shaft
25	1	1-933	Hex Nut
26	1	1-1041	Flat Washer

KITS

EAK0268J51A	O-Ring kit (32 o-rings)
EAK0268J41A	Grabber kit (4 grabbers)
EAK0268J40A	Extension kit (4 extensions)
EAK0268J62A	Extension kit (4-EAK0268J40A)

Image Targets

FRONT



EAA0287J62AR

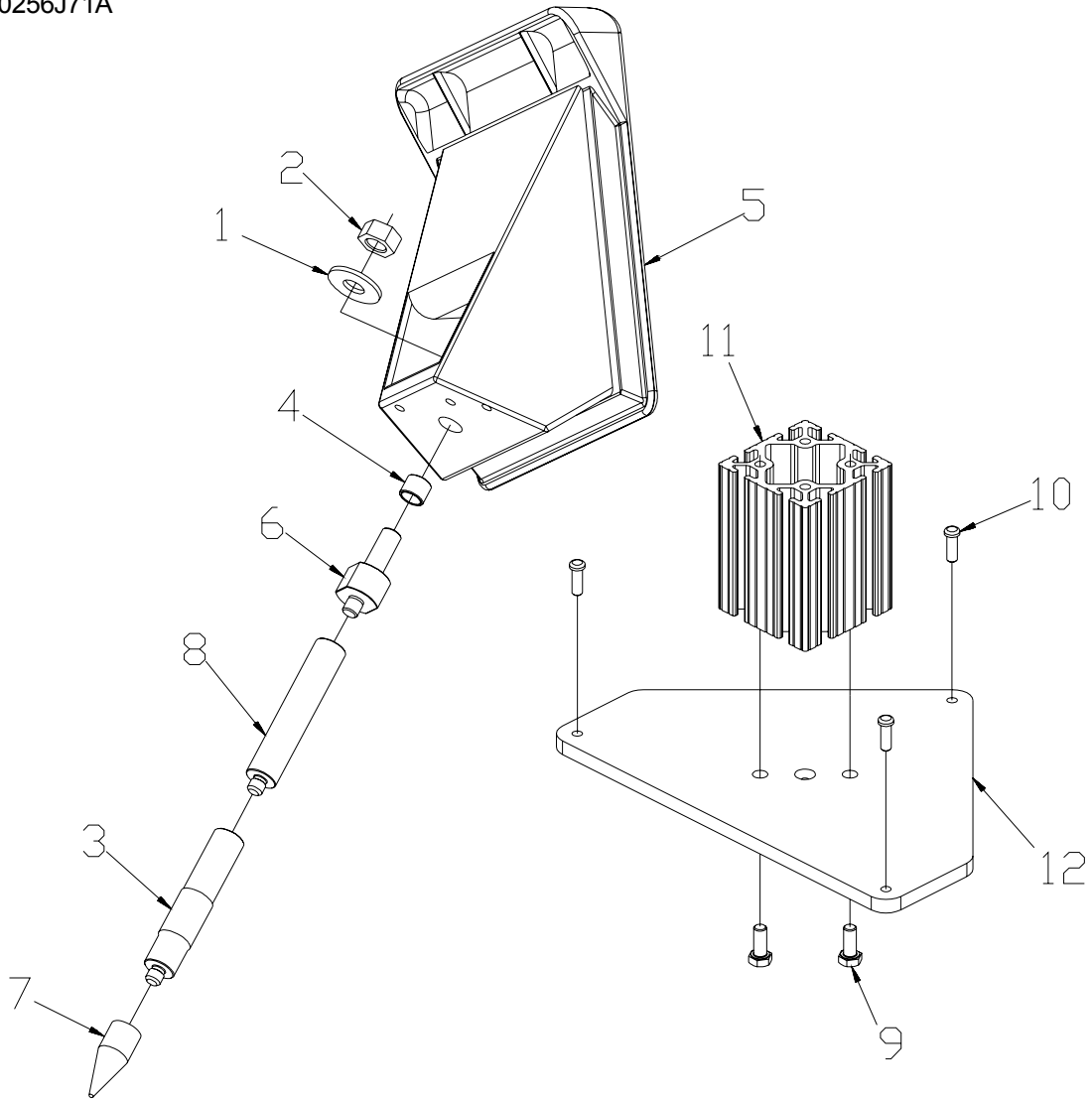
REAR



EAA0287J63AR

RIDE HEIGHT MEASUREMENT TOOL

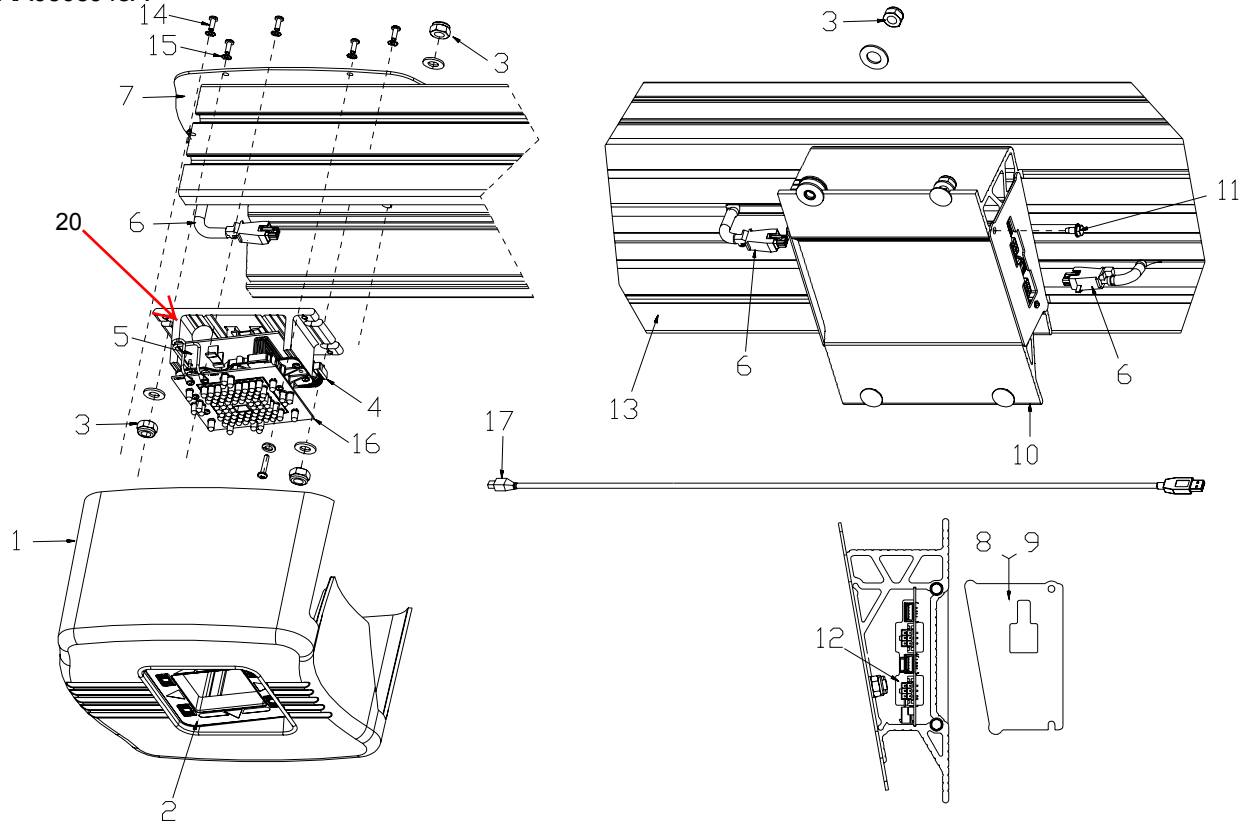
EAK0256J71A



Ref	Qty	Part Number	Description
1-8	1	EAA0305J50A	Measuring Device Ride HeightAssy'
1	1	1-1041	Washer - Flat, 1/2
2	1	1-933	Nut - Hex, 1/2 - 13 UNC - 2b Cad/Zn
3	1	5-8932	Heat Shrink - 1" Black
4	1	00089456000	Bearing - Target, Front/Rear
5	1	EAA0305J66A	Target Sandwich, Ride Height
6	1	EAM0023J50A	Adapt.threaded 1/2 - 13xm10x1.5
7	1	EAM0023J51A	Tip - Measuring, Threaded
8	2	EAM0023J64A	Rod - Threaded Male/Female
9-12	1	EAA0305J60A	Fixture Calibration Ride HeightAssy'
9	2	1-301	Screw - HHMS, 5/16 - 18 X .3/4"
10	3	1-44009A	Screw - BHCS - 1/4 - 20x7/8
11	1	5-00420A	Tower - Extrusion, 3.5"
12	1	EAS2072J32A	Plate - Base, Calibration Fixture

CAMERA BEAM ASSEMBLY

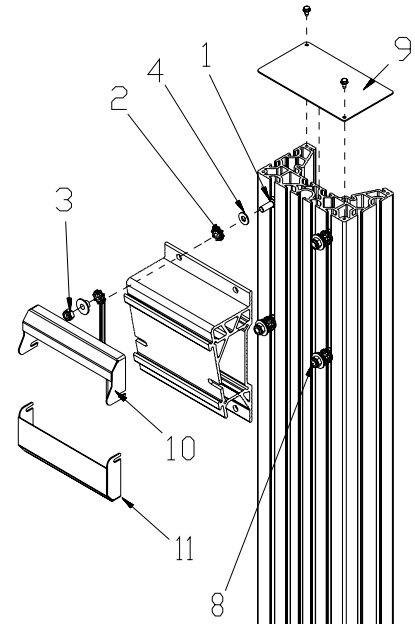
EAA0305J48A



Ref	Qty	Part Number	Description
1	2	EAC0079J17A	Cover - Camera
2	2	EAL0343J81A	Face Plate - LEDS
3	12	1-1337	Nut - Lock, Nylon Insert 5 / 16 - 18
4	2	EAW0235J39A	Cable - Strobe / Camera
5	2	EAK0268J21A	Camera Assembly (Includes item 4 & 16) (Includes key disk)
6	2	EAW0235J44A	Cable Assembly - Camera
*	2	6-02422B6	Cable USB 6' A Male to B Male
7	2	EAS2072J21A	Plate - Back Cover
8	1	EAS2072J18A	Plate - Cover, RH
9	2	EAS2072J17A	Plate - Cover, LH
10	1	EAM0023J40A	Extrusion - Cross Support, Mach
11	2	1-47401A	Screw - HHW, #10 - 24x3 / 8, Type F
12	1	EAP0238J30A(B)	PCB - HUB ULTRA (B version is needed for the moveable system)
*	1	EAW0235J46A	Cable Assy' Hub to PC (Cable from Camera Boom to Computer)
13	1	EAM0023J10A	Extrusion - Cross Support, Mach
14	10	1-3806	Screw - PH, Mach #6 - 32 X 3 / 8
15	10	1-948	Lockwasher, #6 Ext
16	1	EAP0238J24A	PCB - Strobe, ULTRA
17	2	6-02422B6	USB Cable 6'
*	8	1-10041	Washer - Plain, M8 Din 125A
*	8	1-705A	Bolt - Carriage 5 / 16 - 18 x 3 / 4
*	2	EAM0023J47A	Extrusion Plastic - Cross Beam
*	4	1-07976A	Cap - Vinyl
*	8	1-12762A	Ear - Spacer, Cross Member
*	4	1-02116A	Screw - Carriage, 5 / 16 - 18 X 1
*	4	EAM0023J69A	Washer / Spacer - Cross Member
20		EAM0047J77A	Camera mount bracket

CAMERA TOWER

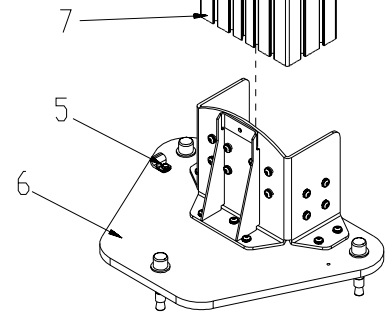
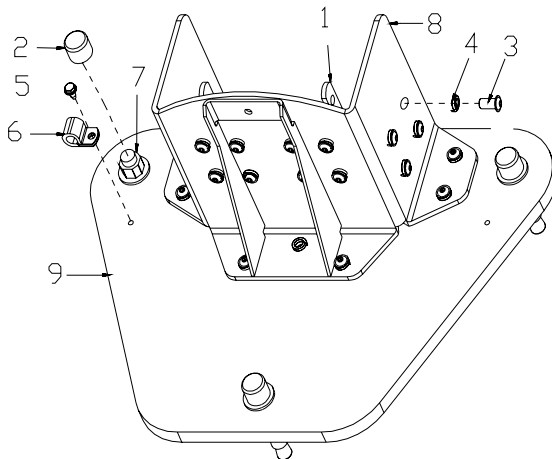
Ref	Qty	Part Number	Description
1	4	1-02116A	Screw - Carriage, 5/16 - 18 X 1
2	8	1-12762A	Ear - Spacer, Cross Member
3	4	1-1337	Nut - Lock, Nylon Insert 5/16 - 18
4	4	1-20141A	Washer - Flat, 1/4 Blk Oxide
5	4	1-47401A	Screw - HHW, #10 - 24 x 3/8, Type F
6	1	EAA0305J49A	Base Assy - Tower
7	1	EAM0023J48A	Extrusion - Tower
8	4	EAM0023J69A	Washer / Spacer - Cross Member
9	1	EAS2072J19A	Plate - Cover, Top
10	1	EAS2072J71A	Bracket - Ear, Top
11	1	EAS2072J72A	Bracket - Ear, Bottom
*	1	1-03382A	Clamp Sleeve
*	1	EAS2072J84A	Plate - Strain Relief
*	5	6-0739	Shim Plate - .06 Thk.
*	5	6-0740	Shim Plate - .125 Thk.



CAMERA BASE

EAA0305J49A

Ref	Qty	Part Number	Description
1	8	1-04284A	T - Nut Double 5/16 - 18
2	3	1-04476A	Plug - Hole
3	7	1-44109A	Screw - FBHCS , 5/16 - 18 X 5/8
4	23	1-446	Washer - Lock , Split
5	1	1-47401A	Screw - HHW , #10 - 24 x 3/8
6	1	2-09457	Clamp - Metal , 3/8" 8124k - ND
7	3	8-02440A	Bolt -Anchor (61750)
8	1	EAA0305J88A	Weldmt - Bracket Tower
9	1	EAS2072J22A	Plate - Support Tower
*	1	EAM0023J48A	Extrusion - Tower

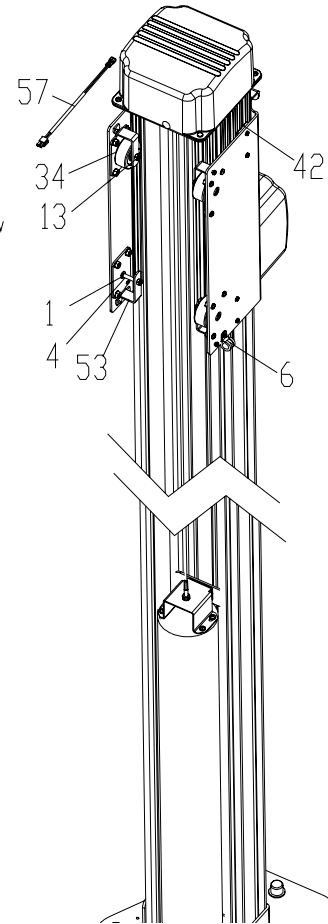
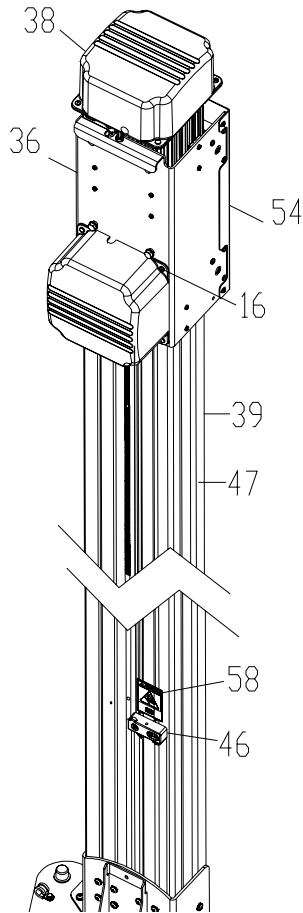
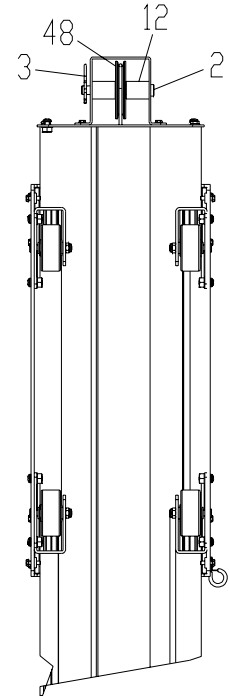
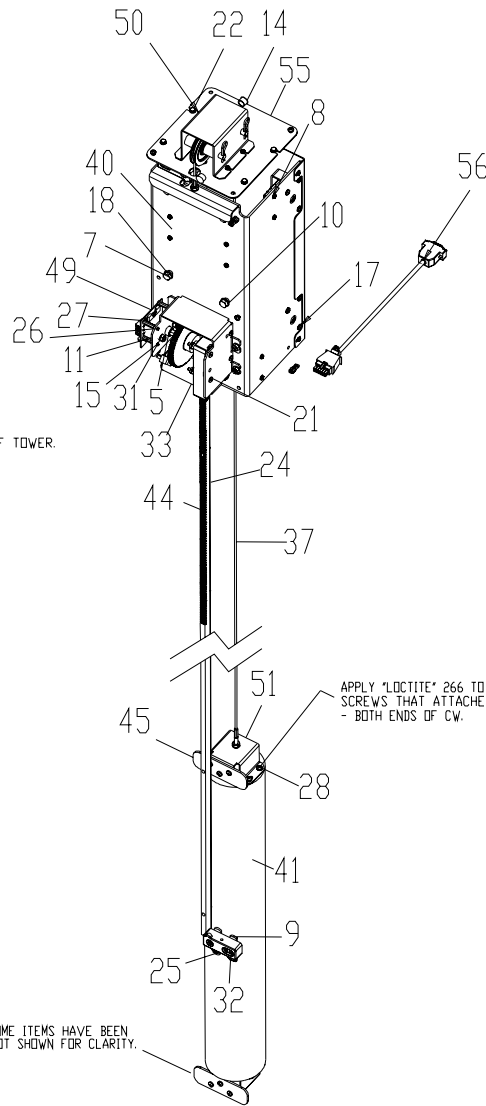
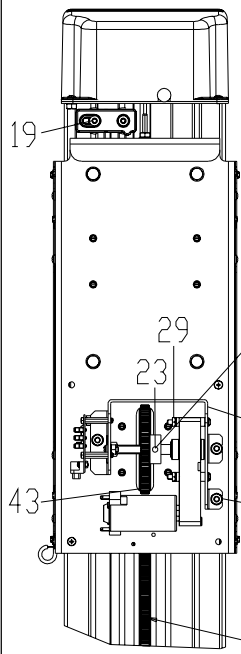


Qty	Part Number	Description
1	00000096000	Depressor Ass'y - Pedal
1	00055502000	Clamp Ass'y - Wheel, Steering
1	00088620000	Wheel Chock -Inner
1	00088621000	Wheel Chock- Outer
1	00000096000	Depressor Ass'y - Pedal
1	00055502000	Clamp Ass'y - Wheel, Steering
1	00088690000	Remote Control, (Clicker)
2	01122063000	Battery - AA, 1.5V Alkaline
1	00088634000	Undercar Scooter Adjustment Chair
4	EAK0222J30A	Alloy Universal Camera Wheel Clamp
1	EAK0222J17A	Voice Align Kit
	• 2-29466A	Headset Base / Belt Pk Dom
	• 2-29666A	Headset Assy - Voice Control
	• 2-29466A01	Switch Accessory
	• 5-10426A1	Tape - Hook Velcro, #88
	• 5-10426A2	Tape - Loop Velcro, #1000
	• TEAK0222J17A0	Installation Instr - Headset
	• 00089209000	Cord - Power, Adapter, 12"
1	00088927000	Label - Elec/Serial, Desktop
1	01122651000	Label - Caution, Electrical Shock
1	00089518000	Label - Shut Down, Windows
1	EAL0392J13A	Decal 650
1	EAL0392J14A	Decal 660
1	3-02308A	19" Flat Screen
1	3-02608A	17" Monitor (650)
1	EAP0321J20A	USB Remote Receiver kit /w pad
1	EAP0238J54A	USB Receiver board

MOVEABLE BEAM

EAA0321J19A

PART NO.	CONNECTION 1	CONNECTION 2
EAW0259P01A	P1 (2 PIN CONNECTOR)	J4 (EAP0238J61A)
	E1 (BLACK WIRE)	- (NEGATIVE: 2-44066A)
	E2 (RED WIRE)	+ (POSITIVE: 2-44066A)
EAW0235J47A	P1 (DB15)	J1 (EAP0238J61A)
	J9 (EAP0238J61A)	P9 (HUB PCB - NOT SHOWN)

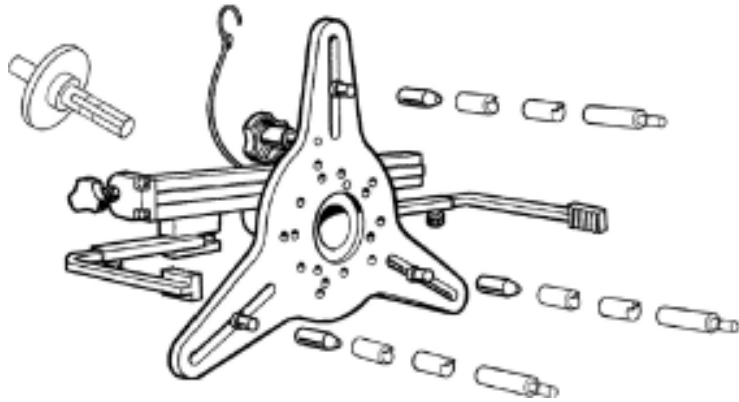


NOTE: SOME ITEMS HAVE BEEN HIDDEN/NOT SHOWN FOR CLARITY.

MOVEABLE BEAM

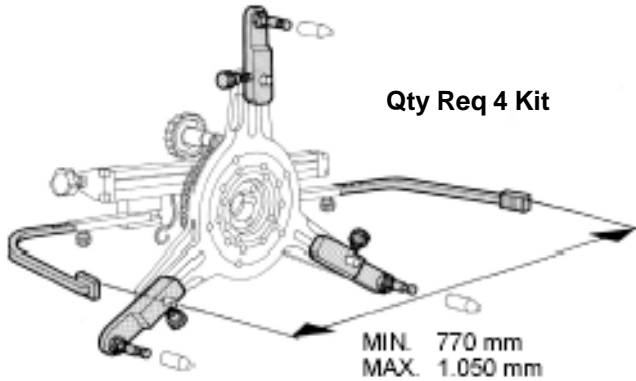
1	8	1-01843A	Washer - Shoulder
2	2	1-02155A	Pin - Clevis 3/8 X 3
3	2	1-02255A	Pin - Cotter 1 - 5/8" L
4	4	1-02711A	Screw - Ashoulder 10 - 24 X 1.25
5	1	1-02863A	Flange, Mount Press Bearing
6	1	1-03382A	Clamp Sleeve
7	4	1-03648A	Washer - Lock Ext 5/16
8	25	1-08424A	Screw - SelfTap 8 - 32 X 1/2
9	6	1-08508A	Weldnut - 1/4 - 20 Dual
10	4	1-10041	Washer - Plain, M8 Din 125A
11	3	1-11761A	Standoff 4 - 40 X 1" M/F
12	4	1-13762A	Spacer - 1"Lx.39"ld 92825a245
13	4	1-1437	Nut - Nylock 10 - 24
14	2	1-1976	Plug - Hole
15	3	1-30606A	Screw - PHMS 4 - 40 X 1/4
16	4	1-32806A	Screw - PHMS 10 - 24 X 3/8
17	20	1-347	Washer - Lock #10 Int
18	4	1-4301	Screw - HHMS 5/16 - 18x1/2
19	4	1-44009A	Screw - BHCS - 1/4 - 20x7/8
21	4	1-4806	Screw - 10 - 32 X 1 3/4 PHMS, Zinc
22	4	1-48701A	Screw - Hhw 10 - 24 X 5/8
23	2	1-49410A	Screw - Set 1/4 - 20 X 1/4
24	6	1-49509A	Screw - SHC 6 - 32 X 7/16
25	2	1-541	Washer - Flat, 5/16
26	3	1-546	Lockwasher - #4, Zinc
27	3	1-6933	Nut/Lockwasher - 4 - 40 Zinc
28	28	1-7106	Screw - PHMS 10 - 24x1/2
29	4	1-7133	Nut - Keps, #10 - 32 Unf - 2b Cd/Zn
30	9	1-7433	Nut - Kep Hex 1/4 X 20
31	22	1-7733	Nut & Lk Washer Assy #10 - 24
32	2	1-806	Screw - PHMS 1/4 - 20x3/8
33	1	2-44066A	Motor - Gear, 12v, ULTRA
34	4	8-25139A	Wheel - 2" Dia X 7/8"W 2337t2
35	1	EAA0305J49A	Base Assy - Tower
36	1	EAA0321J13A	Carriage - Move Rack
37	1	EAA0321J17A	Cable - ULTRA Weight
38	2	EAC0079J28A	Cover - Motor, ULTRA
39	1	EAM0023J10A	Extrusion - Cross Support, Mach
40	4	EAM0023J72A	Slide Pad - 1, ULTRA
41	1	EAM0023J73A	Weight - Counter, ULTRA
42	4	EAM0023J74A	Slide Pad - 2, ULTRA
43	1	EAM0023J77A	Gear - Spur, ULTRA Mov
44	1	EAM0023J79A	Rack - ULTRA Moveable
45	2	EAM0023J82A	Guide - Plastic, ULTRA
46	2	EAM0023J85A	Stop - Limit Switch
47	1	EAM0023J86A	Cover - Counterwt, ULTRA
48	2	EAM0044J05A	Pully - ULTRA Moveable
49	1	EAP0238J60B	Pcb - Motor Control, ULTRA
50	1	EAS2072J80A	Bracket - Pulley 2, ULTRA
51	2	EAS2072J81A	Bracket - Weight ULTRA
52	1	EAS2072J85A	Bracket - Motor ULTRA
53	4	EAS2072J86A	Bracket - Wheel ULTRA
54	1	EAS2072J89A	Bracket - Shield Slide Car
55	1	EAS2072J93A	Plate - Cover Tower
56	1	EAW0235J47A	Cable - Motor Control ULTRA
57	1	EAW0259P01A	Cable Assy, Arago Motor Drive
58	1	EAL0392J07A	Label - Pinch Point

FEMAS CLAMP



- | | | |
|----------|--------------------|--|
| 1 | EAK0222J30A | Wheel Clamp Alloy Kit (Includes 4 clamps) |
| 4 | EAA0256J62A | Wheel Clamp -Alloy (Ar 10"- 21") |
| 2 | EAM0007J37A | Shaft -Adapter, Short |
| 2 | EAM0007J38A | Shaft -Adapter, Long |
| 4 | EAK0222J21A | Shoe Kit - Tapered, (Alloy Wc) |
| 4 | EAK0222J22A | Gripper Shoe Kit, Short (Alloy WC) |
| 4 | EAK0222J24A | Gripper Shoe Kit, Shaped (Alloy WC) |
| 4 | EAK0222J25A | Shoe Kit, Extensions (Alloy WC) |
| 4 | 1-1041 | Washer, 1/2" |
| 4 | 1-16133 | Nut - Hex M12x1.75, 12 mm |

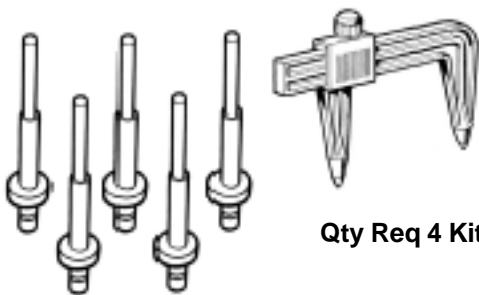
OPTIONAL FEMAS ACCESSORIES



EAK0222J27A Qty Req 4 Kit Extension Adaptor Kit



EAK0222J20A Qty Req 1 Kit Porsche Adaptors



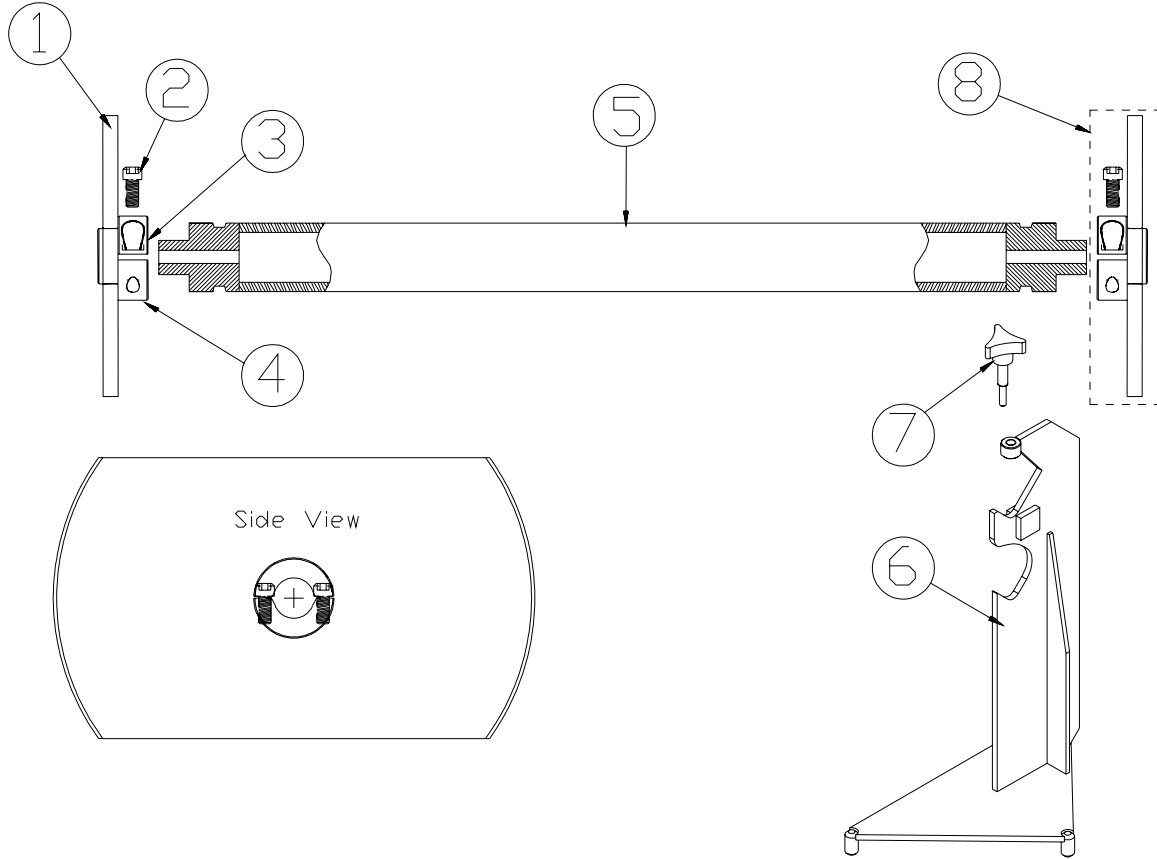
EAK0222J28A Qty Req 4 Kit Kit, Hub Pins For Mercedes-Benz & BMW



EAK0222J23A Qty Req 4 Kit Long Gripper

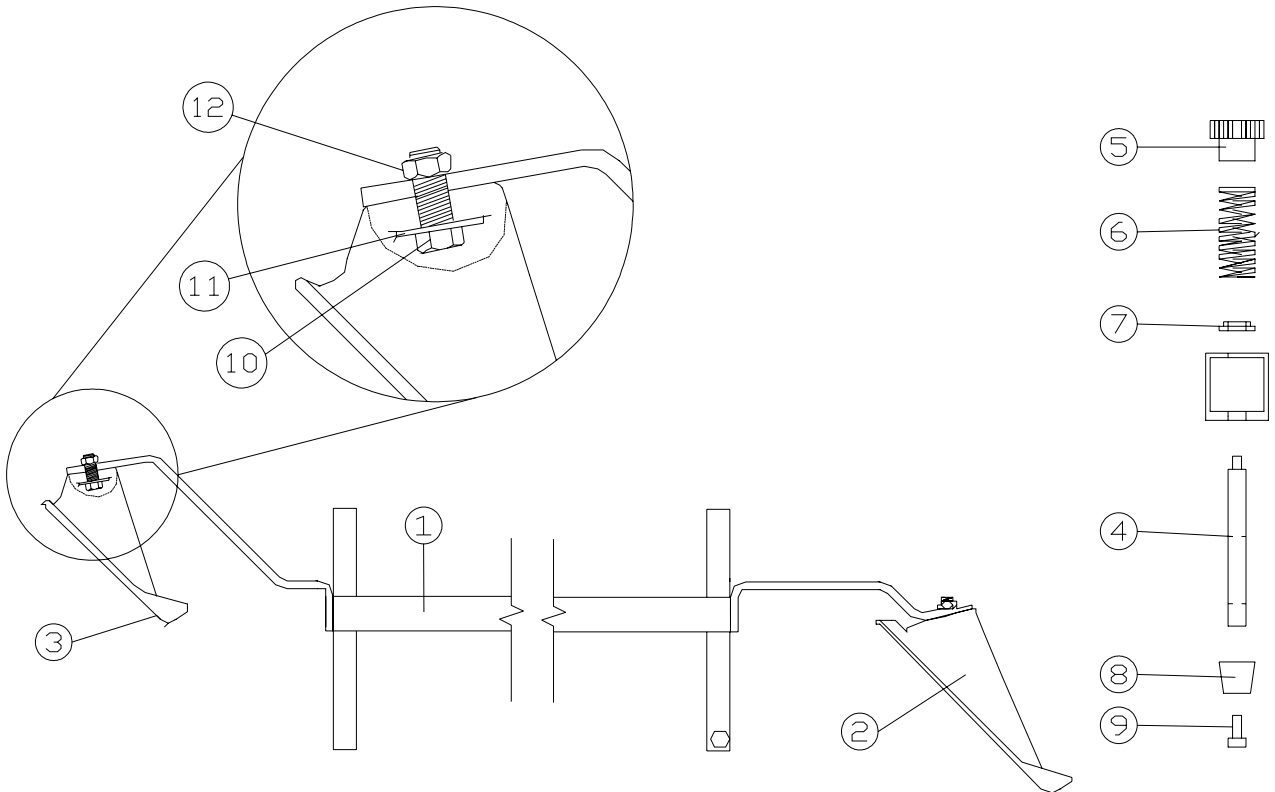
RCP CHECK FIXTURE

EAA0256J00A



Ref	Qty	Part Number	Description
1	1	EAA0256J04A	Plate - Rim ClampAdapter
2	2	01102353000	Screw-SHCS, 5/16-18 X 1
3	1	EAA0256J03A	Cap - Hub
4	1	EAA0256J02A	Adapter - Hub
5	1	00063696000	Bar Sub Ass'y - Calibration
6	2	00084102000	Stand - Calibration
7	2	00083258000	Screw Ass'y - Clamp, Head Lock
8	2	EAA0256J01A	Adapter - Rim Clamp

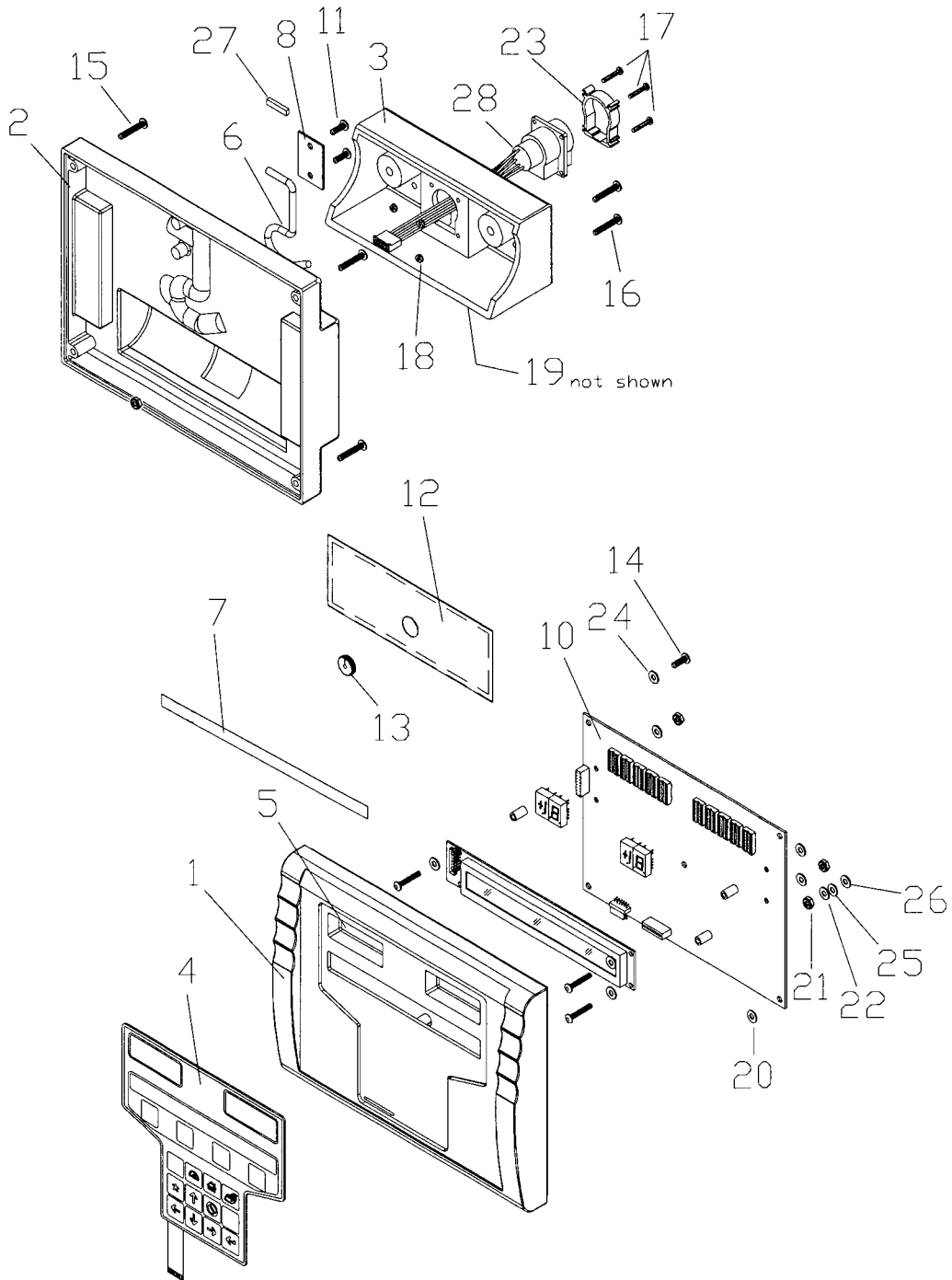
RCP CALIBRATION FIXTURE #00089612000



Ref	Qty	Part Number	Description
1	1	00089203000	Bar Weldment - Calibration,V3D
2	1	EAA0287J63A	Target Sandwich - Rear
3	1	EAA0287J62A	Target Sandwich - Front
4	1	00088853000	Shaft - FootAdj
5	1	01122370000	Knob - RD,Knurled,10 - 24
6	1	01122372000	Spring - Compression
7	1	01122630000	Washer - Shoulder,3/4
8	2	01122379000	Bumper - Rubber,Recessed 1 X 5/8
9	2	01112276000	Screw - Shcs, #10 - 24 X 3/8 PI
10	2	01100355000	Screw - Hhcs 5/8 - 11 X 1 1/2
11	2	01100266000	Washer - Flat, 5/8 1 3/4 OD X 1/16 ID
12	2	01121513000	Nut - Hex, 5/8 - 11 UNC - 2B Cad / ZN
*	5	01122491000	Plug - Poly,Blk, (Fits 1.12 ID)
*	2	01122438000	Insert - Brass 240 - 332
*	2	01112969000	Screw - Set, #10 - 32 X 5/8 HS Cup
*	1	01122571000	Pin - Coiled Spring 1/16 X 3/4
*	1	00088623000	Tool - Lock Nut, 3/8 Hex
*	1	01122380000	Screwdriver - 8" Long

Remote Readout

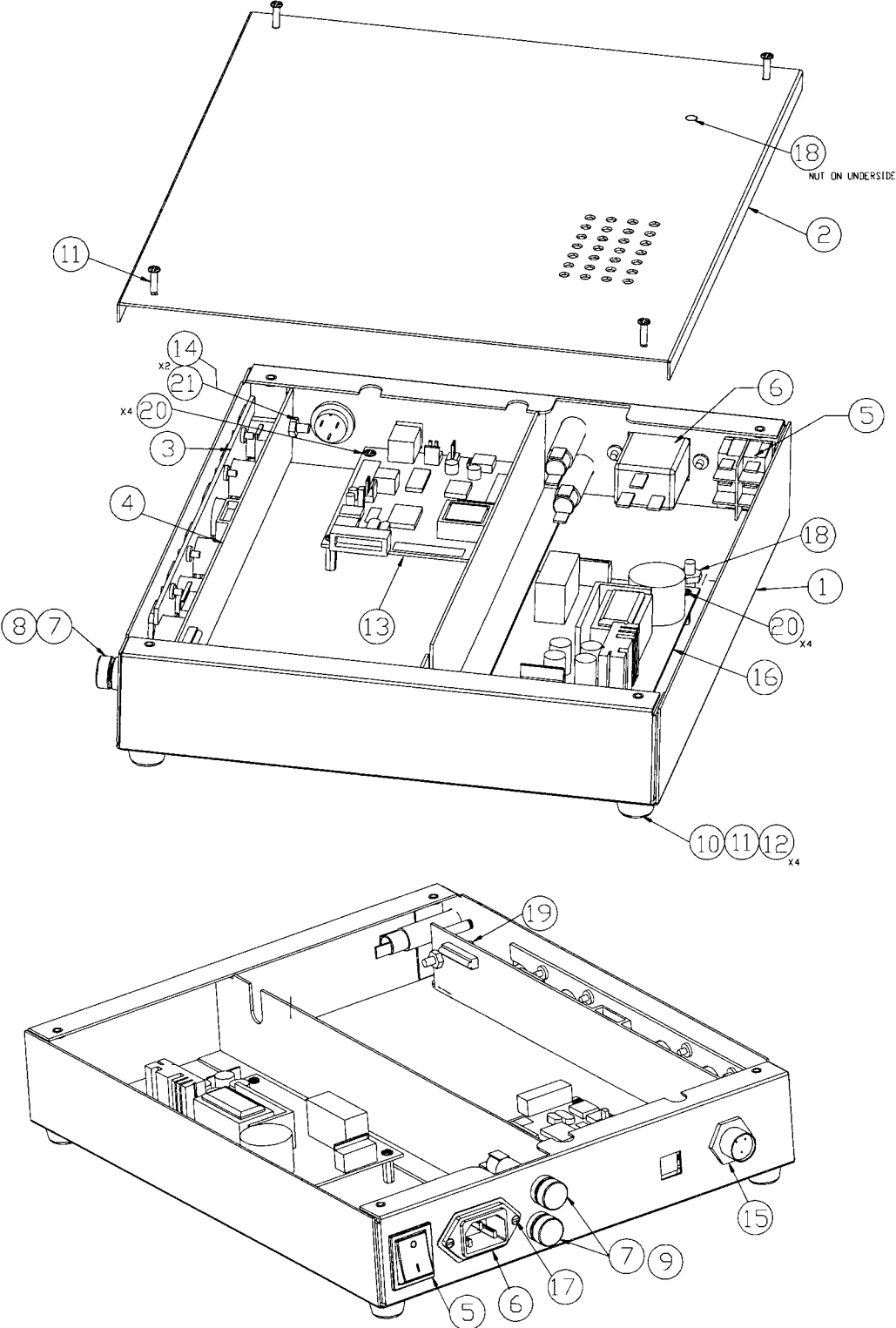
EAK0268J08A DISPLAY KIT (Consists of EAK0222J77A & EAK0256J33A)
EAK0222J77A Remote display only



Ref	Qty	Part Number	Description
1	1	EAC0055J92A	Bezel Front Remote Black
2	1	EAC0055J91A	Panel - Rear Remote Black
3	1	EAC0055J90A	Pivot - Base, Black
4	1	EAA0287J60A	Switch - Membrane, Remote Pro32
5	2	00086179000	Window - LED, Remote
6	1	00086180000	Hook - Remote
7	1	00081226000	Decal-Remote Display
8	1	00086183000	Plate - Cover, Hook
9	2	01101740000	Screw - BHCS, #8 - 32 X 1/4 Hs
10	1	00086185000	PCB Ass'y - Remote
12	1	00086262000	Cover - Seal, Remote
13	1	01122121000	Grommet
14	5	01101554000	Screw - BHCS, #8 - 32 X 3/8 Hs
15	4	01122106000	Screw - BHCS, #8 - 32 X 1.0
16	2	01101777000	Screw - BHCS, 1/4 - 20 X 1 1/4 Hs
17	4	01115607000	Screw - RHMS, #4 - 40 X 3/4 Phl
18	4	01122109000	Nut - Keps, #4 - 40 Cd/Zn
19	4	8-03642A	Catch - Magnetic, Medium
20	5	01122122000	Washer - Nylon, .375od X .171id
21	2	01101609000	Nut - Stop, 1/4 - 20 Unc - 2b Cad
22	2	01122110000	Washer - Spring, .27 Id X .5
23	1	00083327000	**Support - Receptacle(alum/Extr
24	5	01122107000	Washer - Flat, Nylon
25	2	01122108000	Washer - Flat, Nylon
26	2	01107381000	Washer - Flat, 1/4 Obs02j0703a
27	0.04	00985268000	Seal - Strip, 1/16 X 1/4
28	1	00083113000	Cable Ass'y - Head

Usb hib box

A Part of EAK0268J08A KIT
EAK0256J33A USB BOX only (includes shipping carton)



Ref	Qty	Part Number	Description
	1	EAA0261P40A	USB box complete (No cardboard box)
1	1	EAS2024P64A	USB Base Assy'
2	1	EAS2024P66A	Cover Assy
3	1	EAS2024P63A	Connector Bracket Assy
4	1	EAP0216P00A	Interconnect PCB
5	1	2-12258A	Rocker Switch ON/OFF
6	1	2-40248A	IEC Inlet (Filter)
7	3	2-15651A	Fuse Holder
8	1	2-7051	Slow Blow Fuse 3A
9	2	2-7151	Slow Blow Fuse 8A
10	4	8-08018A	Rubber Feet
11	16	1-18206A	M3 x 12 Screw Pan Head
12	4	1-12941	M3 Washer
13	1	EAP0196J80A1	USB HIB PCB Assy
14	4	1-9733	Nut M4
15	1	EAW0243P10A	Remote Cable (Cable leading to HIB PCB)
16	1	2-37666A	Power Supply 10V 40W
17	2	1-11103	Screw Flat Head M3 x 10
18	2	1-9833	Nut M5
19	2	1-5962	Nylon Round Standoff 3/4"
20	8	1-19306A	M3 x 6mm screw
21	2	1-2648	M4 Star Washer
*	1	EAW0243P26A	Link Wire Ground to Ground
*	1	5-845	Tie Wrap
*	2	EAW0243P22A	Link Wire Brown
*	2	EAW0243P23A	Link Wire Blue
*	1	EAW0243P16A	Cable Assy, 6 way to 6 way Power Cable
*	1	EAW0243P20A	Cable Assy, 3 Way Power Cable
*	1	EAW0243P17A	Cable Assy, 16 way to 16 way IDC
*	1	EAW0243P25A	Cable - Link Wire
*	2	1-11341	Washer Plain M4
*	2	1-14106	M4 x 20 Pan Head Screw
	1	EAL0345P52A	Label - Fuse 3a
	2	EAL0345P53A	Label - Fuse 1a
	1	EAL0345P54A	Label - Electrical Warning

Notice: The information contained in this document is subject to change without notice.

This document contains proprietary information which is protected by copyright and patents. All rights are reserved. No part of this document may be photocopied, reproduced, or translated without prior written consent of **Snap-on Tools**.

309 Exchange Ave.
Conway, AR 72032

Revised 05/2006