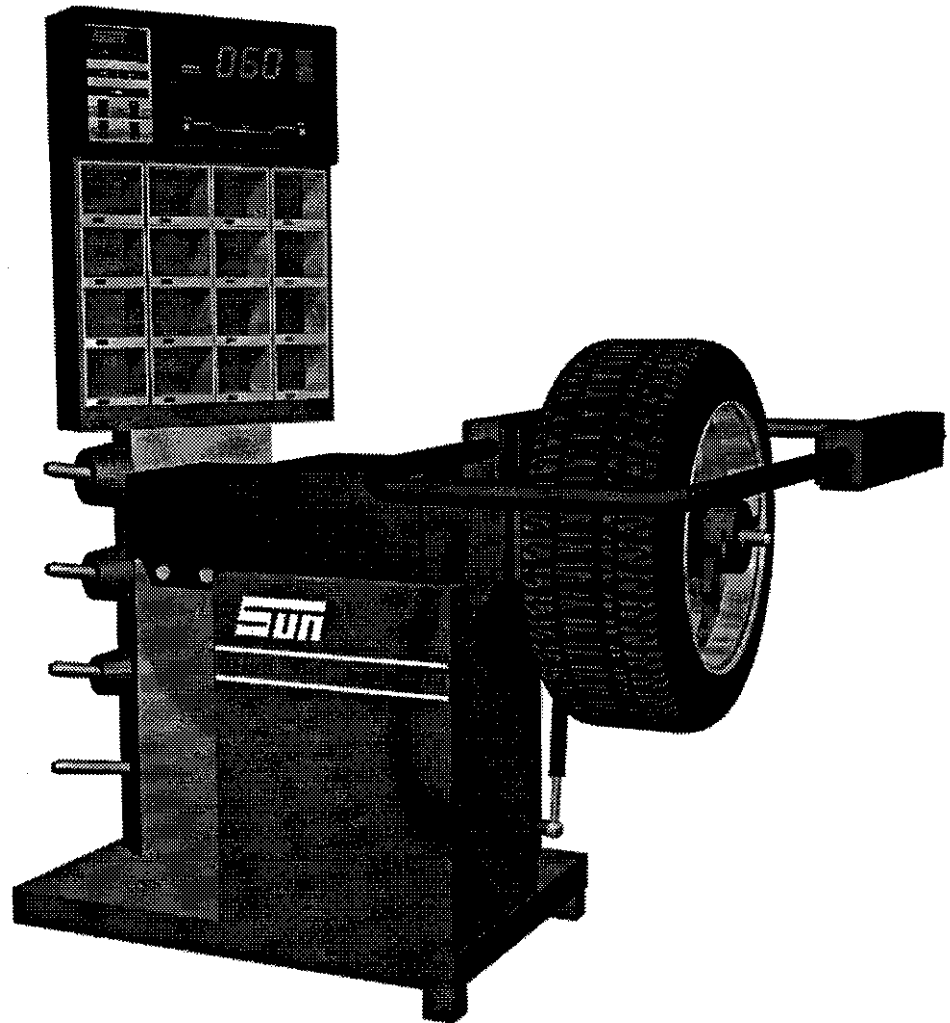
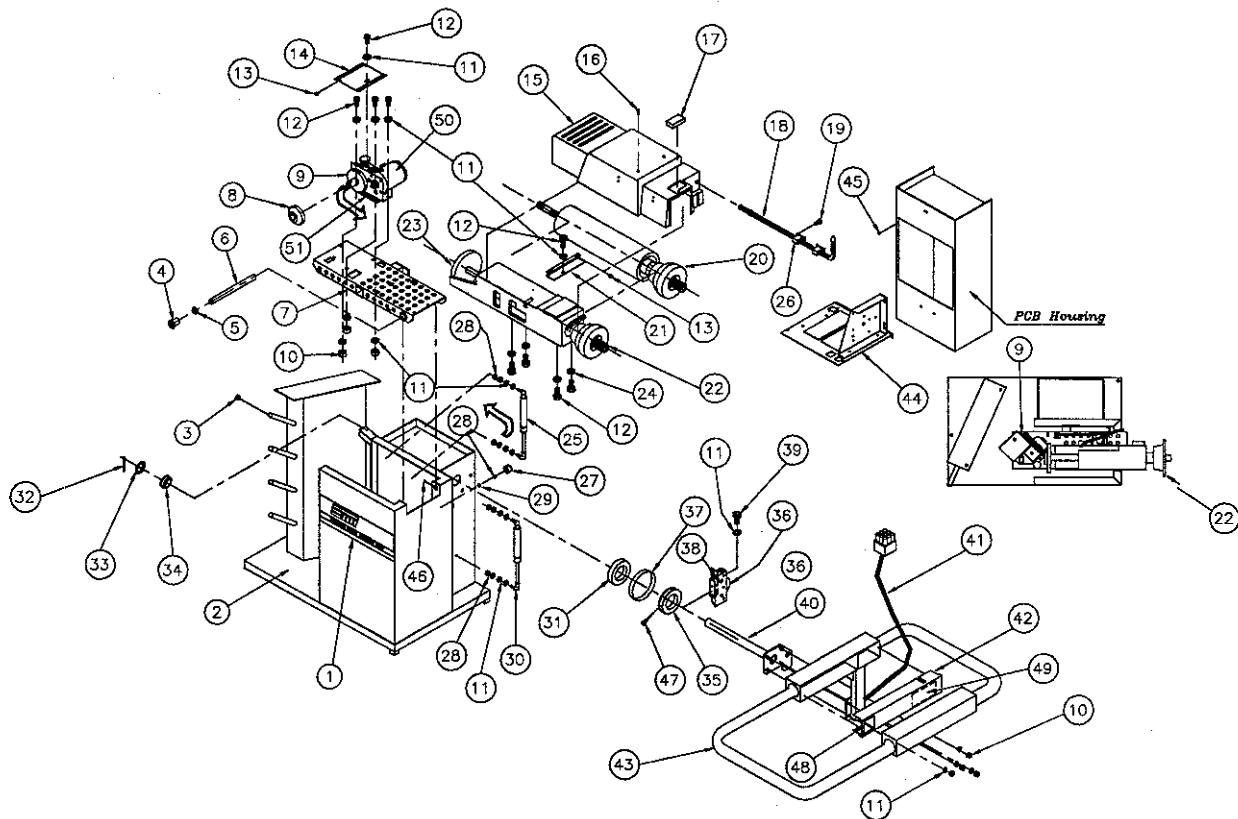

CWB 1860

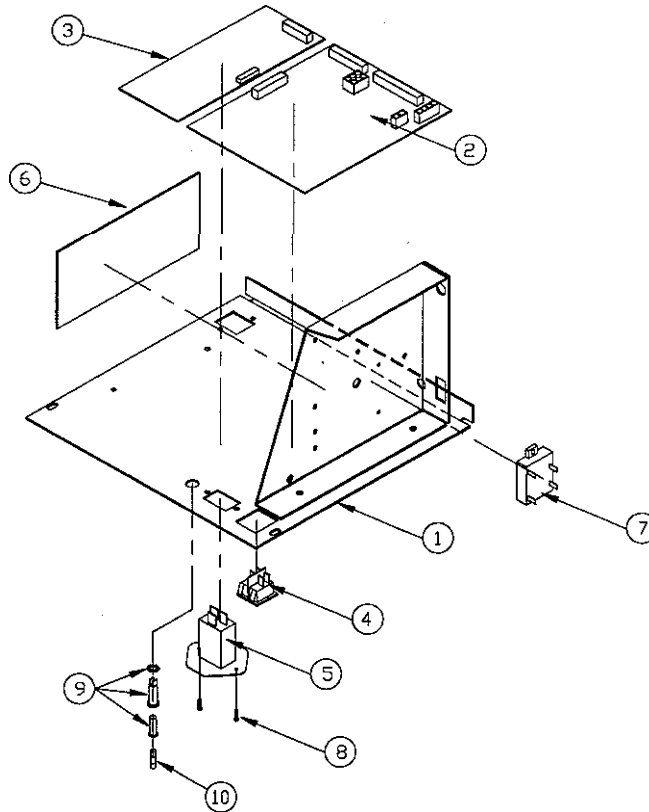
Spare Parts List





CWB 1860 Base Assembly

Key	Description	Part Number	Key	Description	Part Number
1	CWB 1860 Label	B S557	27	Rubber Buffer	B 4500-0139
2	Base Weldment	B 8523	26	Washer Split Lock	B 0202-0031
3	Blanking Plug Black 16mm	B 3900-0019 x4	29	Nut Hex M6	B 0351-0080
4	Oilite Bearing 0.76x 1.25"	B 3002-0011 X2	30	Gas Spring Kit, Measuring Frame	B 4500-0121
5	Washer Flat 201Dx280Dx0.5mm	B 0251-0200	31	Deep Groove Ball Bearing	B 3001-0015
6	Pivot Bar	B 8529	32	Cotter Pin $\frac{3}{16}$ x 2"	B 0718-2000
7	Tilt Table Weldment	B 8526	33	Head Shim 1.5 mm	B 7618-02
8	Drive Wheel (Red)	B 1155-01	34	Bearing Pivot Tube	B 6274
9	Assembly Motor Drive 11 Ov	B 8217-04	35	Drive Pulley	B 3306-0007
10	Nyloc Nut (M6- 18)	B 0302-3118 x9	36	Timing Disk	B 1264
11	washer Flat Special $\frac{5}{16}$ Black	B 0205-0031 X12	37	Belt Drive Frame Encoder	B 3307-0003
12	SCreW Hex $\frac{5}{16}$ - 18x314 Black	B 0102-311512 x9	38	Frame Encoder Assembly	B 6053
13	Clip U Type No.6	B 3700-0031 x4	39	Hex Screw $\frac{5}{16}$ - 18x518	BO1024I16-10 x2
14	Support Bracket, Motor Cover	B8112	40	Pivot Tube Weldment	B 8017-01
15	Head Cover	B 7970-01	41	Frame Cable Kit	B 6685
16	SCreW S/T, Raised CSK M 42x16	B 0974-0042-16 x4	42	UltraSonic Housing Assembly	B 6186-02
17	Stop Head Cover Frame	B 8201	43	UltraSonic Frame Assembly	B 8187-02
18	Offset Scale Assembly	B 8405-04	44	PCB Door Assembly	B 8045
19	Screw S/T No.8 x W' Black	B 0901 -081S-08 x4	45	Screw Pan6-32 x $\frac{1}{8}$ Black	B 0119-0832-06 x2
20	Floating Assembly	B 7866-04	46	$\frac{1}{4}$ -20 x $\frac{1}{4}$ Set Screw	B 0401-2520-04
21	Support Bracket, Head Cover	B8110	47	Set Screw M3 x 12	B 0453-0030-12
22	Measuring Head Assembly	B 7867-02	48	Reflector, Ultrasonic	B 7691
23	Drive Wheel	B 7638	49	Transducer PCB	B6199
24	Washer Special $\frac{5}{16}$	B 0205-0032 x4	50	Motor 110 Volt	B 6216-01
25	Gas Spring Kit Tilt Table	B 4500-0237	51	Timing Belt	B 3307-0001
26	Offset Scale Block	B 8543 X2			

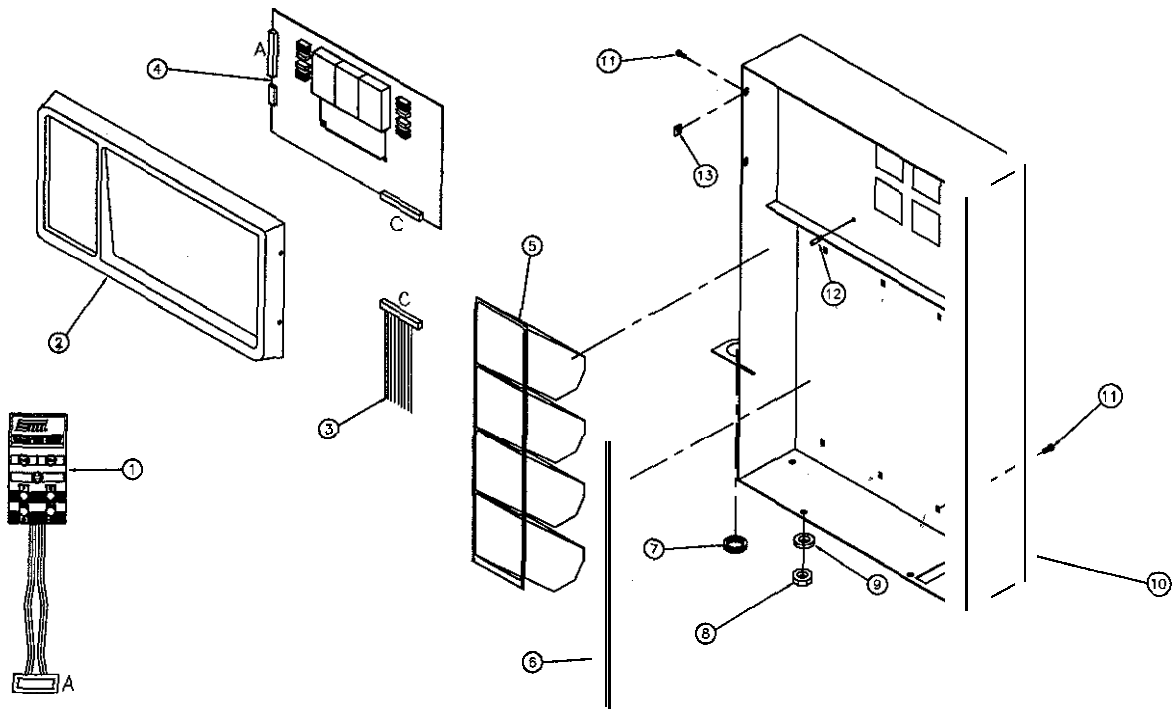


CWB 1860 Ultrasonic PCB Door Assembly

Key Description	Psrt Number	Key Description	Part Number
1 PCB Door Weldment	B 8149	6 PCB. PSU Assy	B 7600-0009
2 Pcb Balancer Process Assy	B 5110-007	7 5 Amp Relay	B 7701-0005
3 Display PCB Ultrasonic Assy	B5111-007	8 M3x12 C/S Screw	B 0170-0030-12
4 On/Off Switch	B 6810-0725	9 Fuse Holder, Panel Mount	B 7102-0007
5 Maina Power Inlet Filter	B 7310-0703	10 Fuse, 20x5mm Slow Blow, 10 Amp (Type T)	7101-0100-01

SUN ELECTRIC
 One Sun Parkway
 Crystal Lake, IL, 800148

P/N s881 Rev A.
 Printsd in Ireland.
 EOO 3428- 5/96.



CWB 1860 Display Assembly

Key Description	Part Number	Key Description	Part Number
1 Keypad Overlay	B 8780-02	8 Nut Hex $\frac{5}{16}$ - 18	B 0301-3118 x4
2 Display Bezel	BB514	9 Washer Flat Special $\frac{5}{16}$ Black	B 0205-0031 x4
3 Display Cable Assembly	B 8081-01	10 Display Weldment	B 3527
4 PCB Display Asasmby	B 8197-02	11 Screw S/T $\frac{5}{16}$ - 18 x $\frac{1}{2}$" Black	B 0925-0818-o8 x12
5 Weight Tray Assembly	B 8200 x4	12 PCB Standoffs	B 3809-0033 x 6
8 Extrusion Machined	B 8221 x3	13 Clip U Type No.8	B 3700-0002 x4
7 Grommet No.32	B4500-0115		