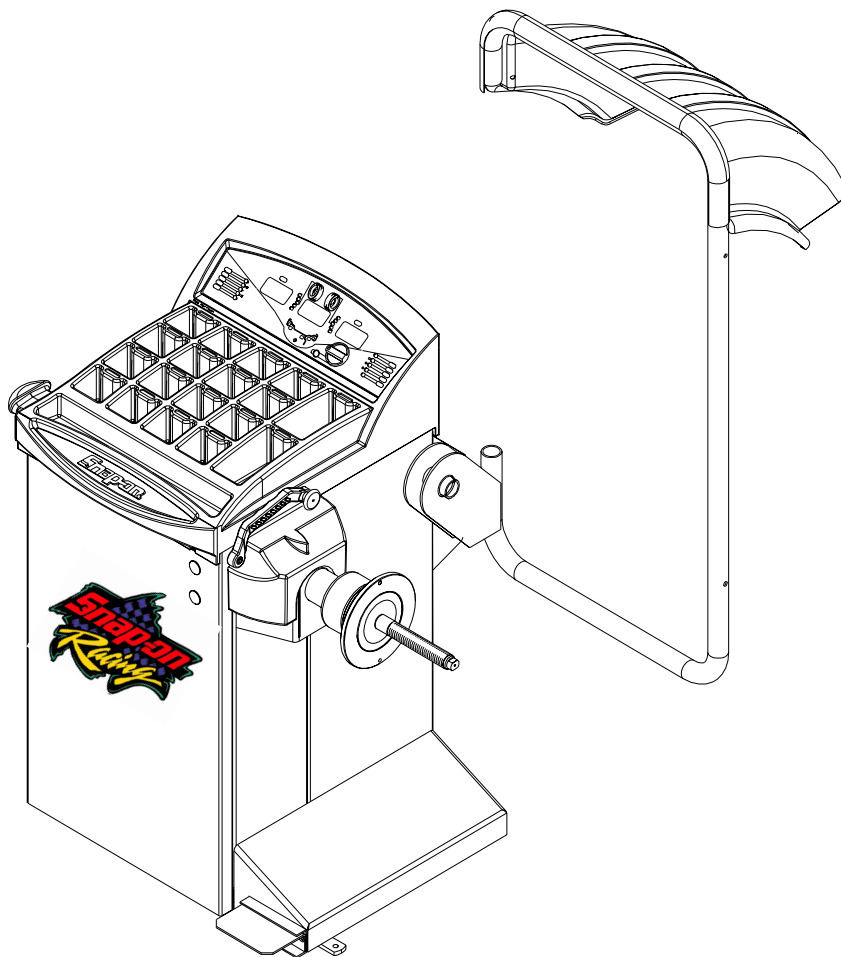




EEWB304A
EEWB304ARA
EEWB304AMOT

Electronic Motorized Wheel Balancer



Parts Reference

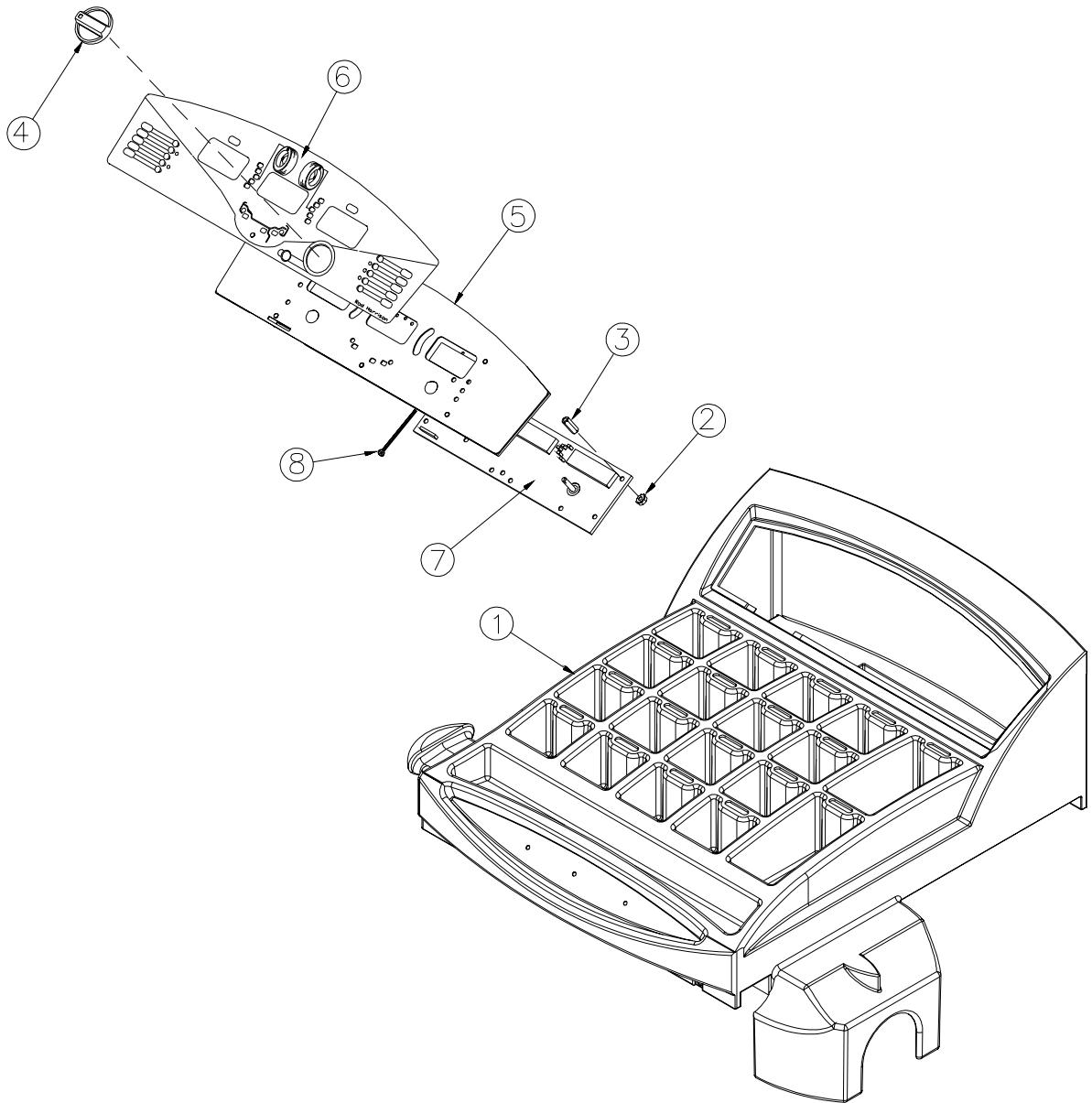
TEEWB304A3 (Rev B)

All information contained or disclosed in this document is considered confidential and proprietary by Snap-on Tools Company. All manufacturing, use, reproduction, and sales rights are reserved by Snap-on Tools Company and the information contained herein shall not be used in whole or in part without the express written consent of Snap-on Tools Company.

Contents

DISPLAY, TOUCH PANEL AND WEIGHT TRAY ASSEMBLY	1
LOWER CABINET ASSEMBLY	2
WHEEL GUARD ASSEMBLY	4
VIBRATORY AND MOTOR ASSEMBLY	5
2D SAPE ASSEMBLY	6
SHAFT ADAPTERS AND ACCESSORIES	7
MOTORCYCLE ADAPTERS	8
MISCELLANEOUS	9
PARTS IN ALPHABETICAL ORDER	11
PARTS IN NUMERICAL ORDER	14

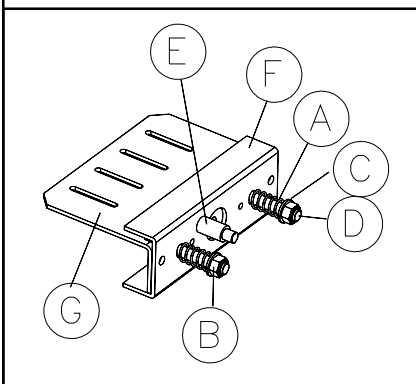
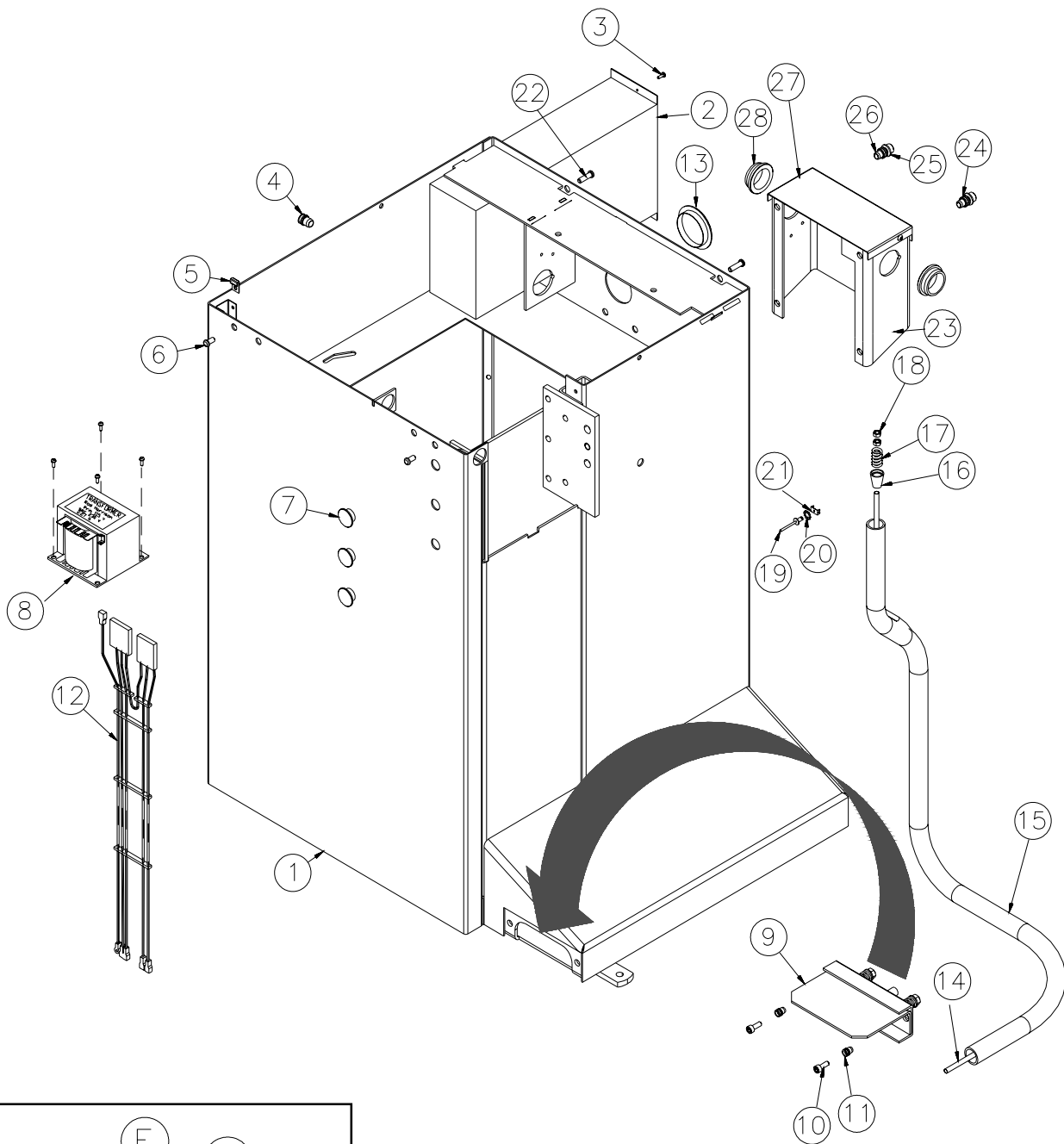
DISPLAY, TOUCH PANEL AND WEIGHT TRAY ASSEMBLY



<u>Ref #</u>	<u>Qty Req.</u>	<u>Part Number</u>	<u>Description</u>
1	1	EAC0053J01A	Weight Tray Low Digital
2	5	1 - 15033	Nut - Keps, M3 - .5
3	5	1 - 8261	Standoff - Hex, M3 - .5x10mm, Thdm/F
*	5	1 - 1248	Washer - Ext, Shakeproof, M3
4	1	1591 - 01	Knob - Black, D Shaft
5	2	5 - 8426A1	.700 Ft Strap - Velcro, 1/4", Hook, Black
6	1	EAA0255J09A	Membrane Switch - So Low Dig
7	1	EAP0192P60A	PCB Assy - Display, So Low Dig
8	1	EAW0233J00A	Wire Assembly - GND
*	1	EAW0233J01A	Harness-Display PCB

LOWER CABINET ASSEMBLY

Includes Power Supply / Brake

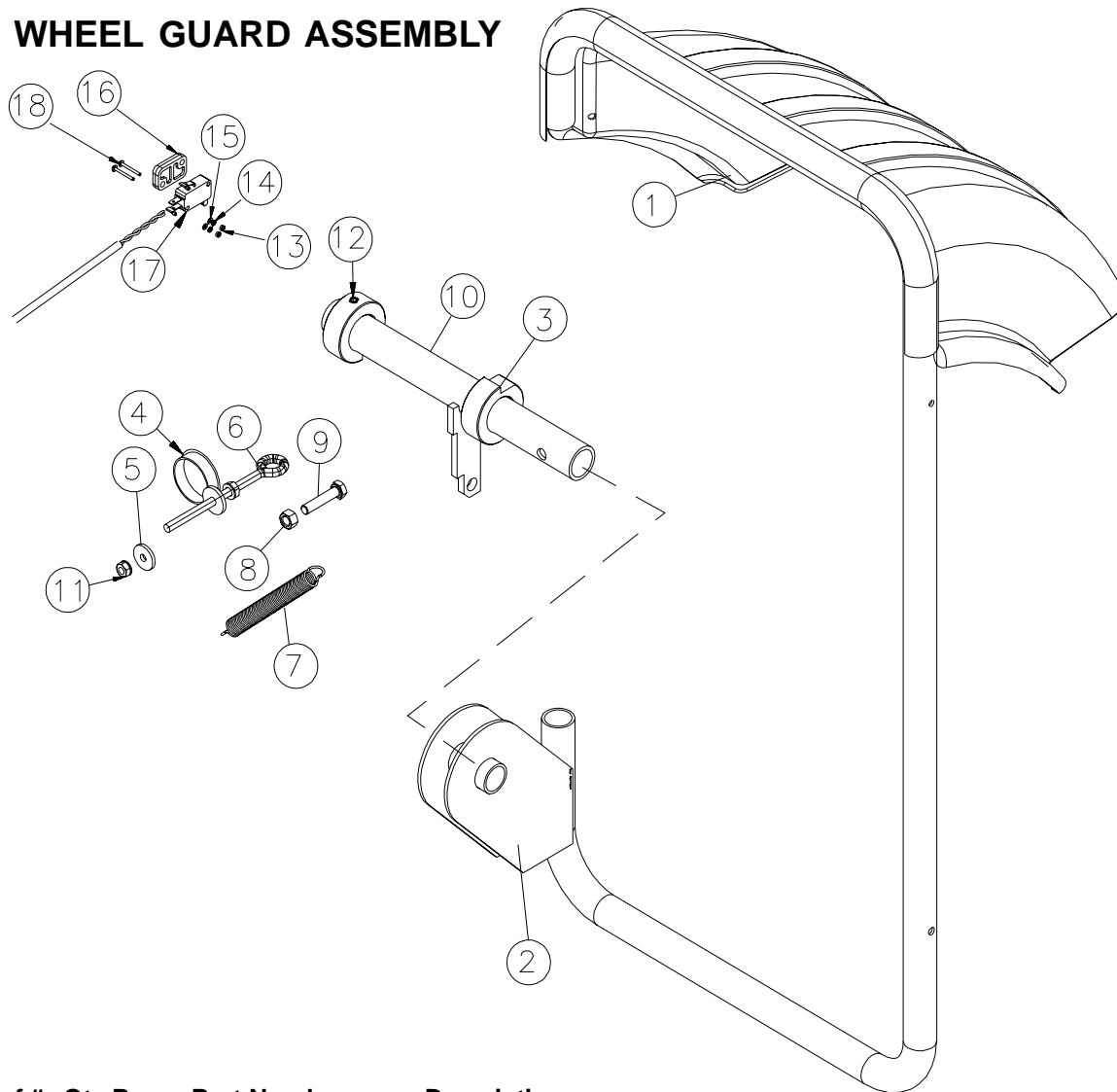


LOWER CABINET ASSEMBLY

Includes Power Supply / Brake

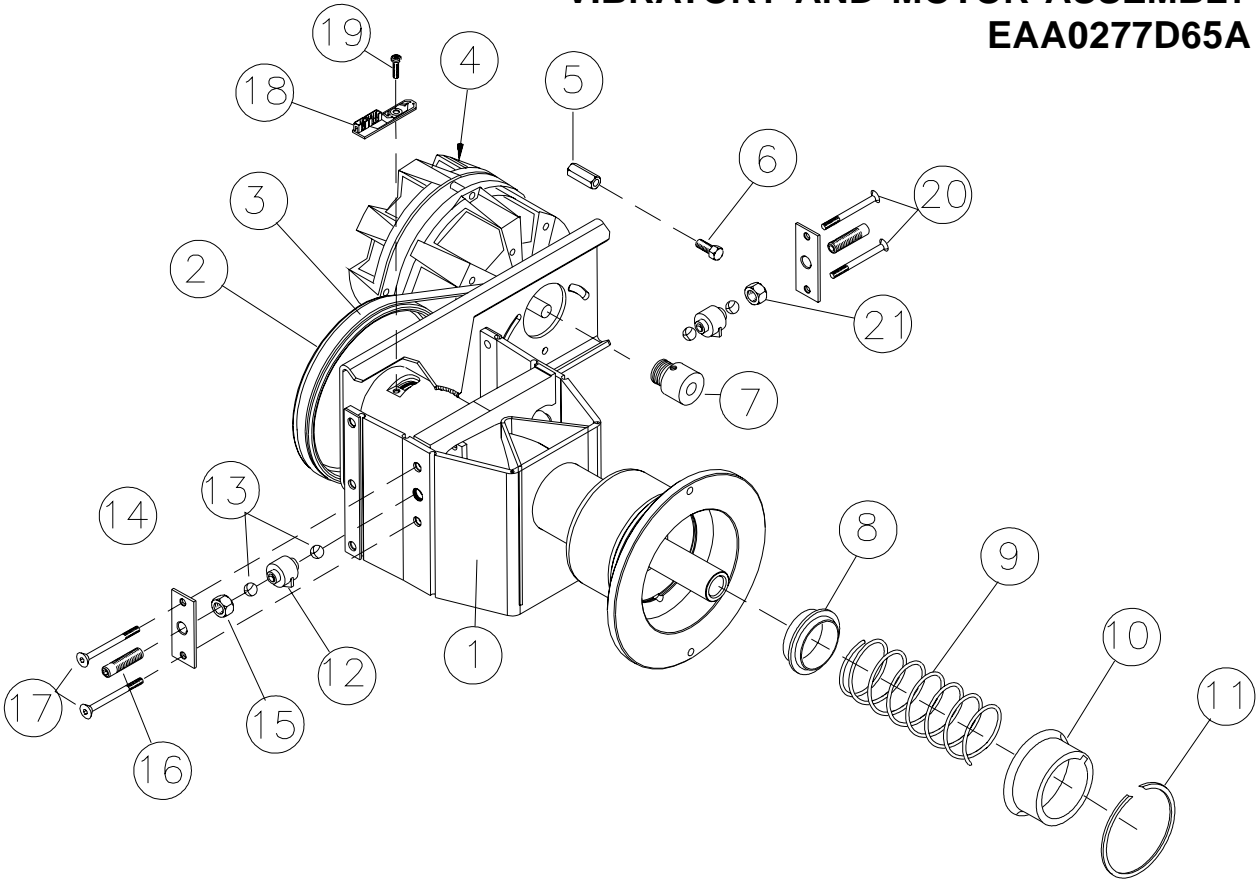
<u>Ref #</u>	<u>Qty Req.</u>	<u>Part Number</u>	<u>Description</u>
1	1	EAS2027G63A	Weldment-wheelguard, M1
2	1	EAA0255J23A	Electronic Unit, Low Dig
*	1	EAP0201D00A	PCB Ass'y - Processor
*	1	EAP0201D10A	PCB Ass'y - Power Interface
*	1	2-01429A	Capacitor - Start, 10uf 400v
*	1	2-01529A	Capacitor - Start 20uf 400v
*	1	2-17947A	Connector - 10 Pin, Wago 733-110
*	1	EAS2021J30A	Frame - Digital Box Top
*	1	EAS2021J28A	Frame Ass'y Digital Box Base
*	1	EAW0233J06A	Cable - Grounding
*	1	EAW0233J05A	Cable - IEC Module, Power
*	1	2-16851A	Power Entry Module
*	1	2-16251A	Fuse - Time Delay, 5.00A 5x20mm
*	9	1 - 13004	Screw - Phil Hd, M4 X 6mm Din7985
*	9	1 - 5547	Washer - Beveled, Serrated M4
3	6	1-3724	Screw - Self Tap,5 X 10mm
4	4	1-17659A	Nutsert - M10
5	4	1-6739	Nut - Tinnerman,1/4-20,J-type
6	4	1-44009A	Screw - BHCS - 1/4 - 20x7/8
7	6	8-7216	Plug - Hole,16mm
8	1	7-15601A	Transformer 115v - 230v, 500va
9	1	EAA0263G06A	Brake Pedal Ass'y
A	2	1-6668	Compression Spring
B	2	1-11633	Hex Nut
C	2	1-10041	Washer, Plain M8
D	2	1-18209	Screw, Hex Head Socket - M8 X 45
E	2	EAM0005D18A	Spacer
F	1	EAS2027G18A	Brake Pedal Support Bracket
G	1	EAS2027G31A	Chamfered Brake Pedal
10	2	1-16309	Screw - Hex Hd Cap, M6 X 16 8.8
11	2	1-17559A	Nutsert - M6
12	1	EAW0233J07A	Harness - Wiring, Transformer
13	1	EAS2027G36A	Sheet - Support,Tube
14	1	EAA0260D58A	Cable - Brake, S1
15	1	8-634-01	Protective Pipe For Cables
16	1	EAC0053J15A	Brake Spacer
17	1	1-6668	Compression Spring
18	2	1-11633	Nut - Hex
19	2	1-7558	Pop Rivet - 3/16"
20	1	1-1548	Washer - Ext,Shakeproof 6mm
21	1	2-23201	Terminal Lug-6.3mmx8mm,Pop Riv
22	4	1-44009A	Screw - BHCS - 1/4 - 20x7/8
23	1	EAS2021J43A	Back Pack - M Cabinet Base
24	4	1-18359A	Nutsert - M8 X 1.25
25	4	1-17741	Washer - 8mm
26	4	1-17709	Bolt - M8 X 1.29 X 20mm
27	1	EAS2021J44A	Back Pack - M Cabinet Top
28	2	EAC0060G03A	Bushing, Wheelguard Tube
*			ELECTRONIC BOX COMPONENTS SHADED

WHEEL GUARD ASSEMBLY



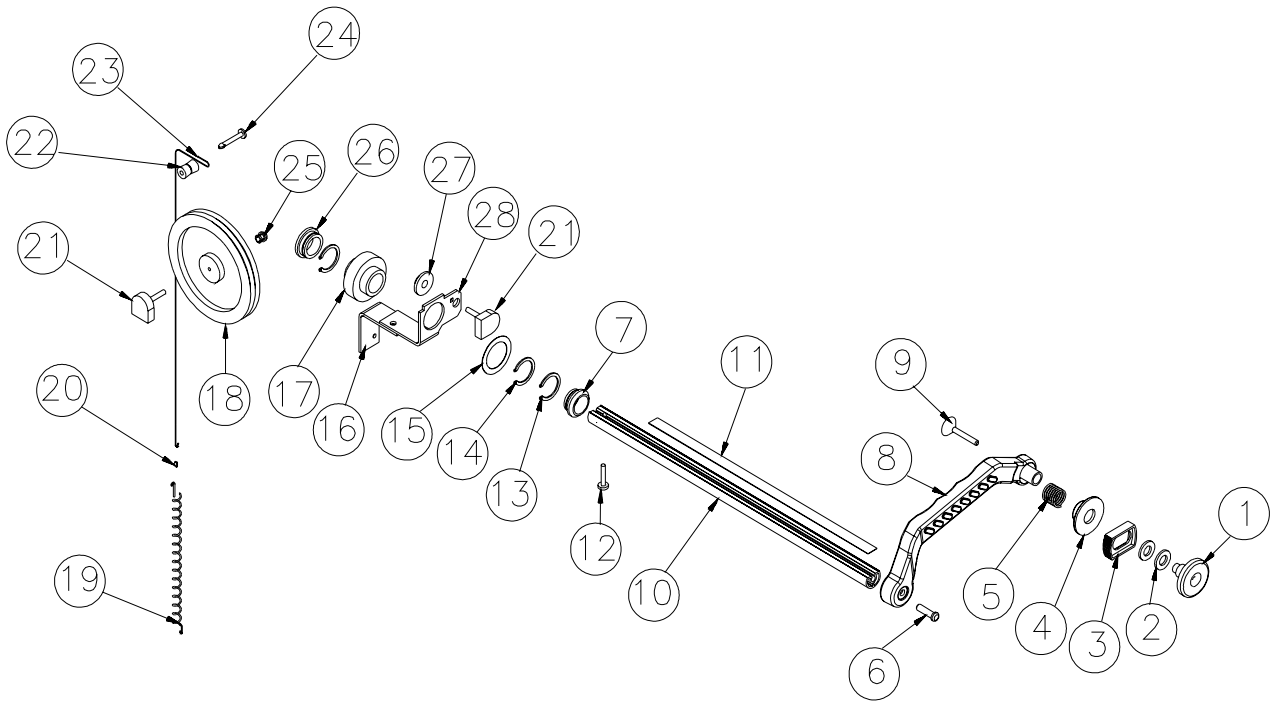
<u>Ref #</u>	<u>Qty Req.</u>	<u>Part Number</u>	<u>Description</u>
1	1	EAC0053J10A	Cover-wheelguard, Y2k
2	1	EAS2021J15A	Weldment-wheelguard, M1
3	2	EAM0006G02A	Wheelguard Tube Ring Nut
4	1	1-3176	Plug - hole, Plastic 1.5"
5	1	1-16941	Washer, Plain 10mm
6	2	1-7433	Nut - Kep Hex 1/4 X 20
7	1	EAM0003J18A	Spring - Extension Wheelguard
8	1	1-11833	Nut M8, Steel
9	1	1-01515A	Screw - HHMS 8m - 1.25 X 50mm
10	1	EAA0255J29A	Tube - Wheelguard, M Cabinet Assy
11	2	1-7433	Nut - Kep Hex 1/4 X 20
12	2	1-47810	Screw, Set, M8 X 8mm Flat Pt
13	2	1-11233	Nut-hex, M3 Din 934
14	2	1-1248	Washer-ext, Shakeproof, M3
15	2	1-9541	Washer-flat, M3 Din 125a
16	1	EAC0053J16A	Micro Switch Plate
17	1	EAW0233J08A	Cable - Switch Assy
18	2	1-7104	Screw - Pan Hd, M3x30 Slotted

VIBRATORY AND MOTOR ASSEMBLY EAA0277D65A



<u>Ref #</u>	<u>Qty Req.</u>	<u>Part Number</u>	<u>Description</u>
1	1	EAA0277D65A	Vibrator Ass'y-motorized
2	1	EAM0005D12A	Drive Wheel
3	1	8-3531	Multirib Belt 5 PJ 711 Din 7867
4	1	EAA0266D29A	Motor, AC 120w 1 Ph 220-240v - 50/60 Hz
5	2	EAM0005D09A	Motor Distance bolt
6	1	1-30701	Screw Hex HD M 6 X 12
7	1	EAM0005D08A	Motor Pulley
8	1	EAC0058D03A	Spring Centering Ring
9	1	1-6498	Spring - Compression 5 X 63 X 120
10	1	EAS2025D14A	Spring Case Deep Draw
11	1	1-13077	Snap Ring
12	1	EAA0260D59A	Transducer
13	4	8-1144	Ball, Steel
14	2	1-2967	Pretension Spring
15	1	1-11833	Nut-Hex M 10 X 1 DIN 934
16	2	EAM0005D07A	Setscrew - Hex Socket M 10 X 1
17	2	1-19903A	Screw Hex Socket / Countersunk M 4 X 65
18	1	EAA0260D09A	Encoder PCB
19	1	1-13004	Screw Phillip Pan HD M 4 X 6
20	2	1-17403	Screw Hex Socket / Countersunk M 4 X 25
21	1	1-4034	Nut - Hex M 10 X 1 DIN 439
*	1	EAW0239D00A	Ribbon Cable Vibratory
**	1	EAA0260D56A	Brake lever A cpl.
**	1	EAA0260D57A	Brake lever B cpl.

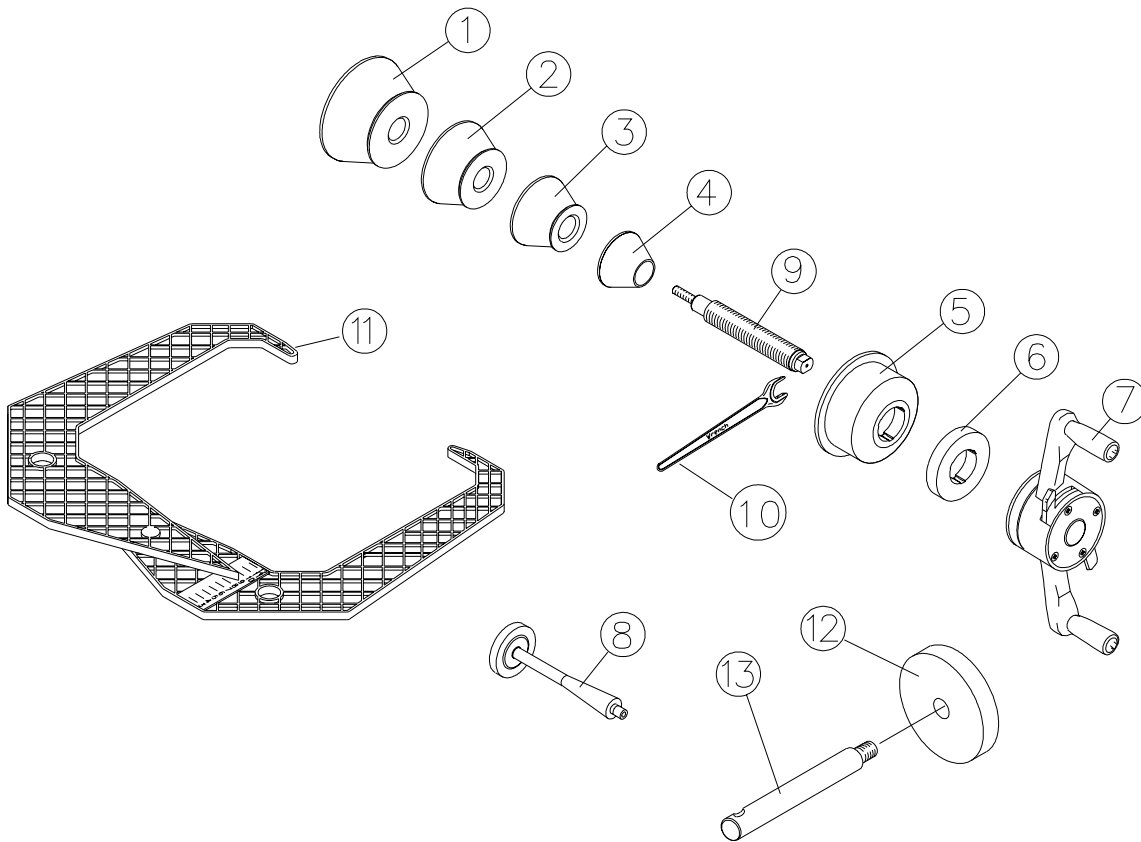
2D SAPE ASSEMBLY



Ref #	Qty Req.	Part Number	Description
1		EAC0058D11A	Disk - Touching
2	1	1-11841	Washer - Plain, M10.5 Din 125
3	1	EAC0058D09A	Ejector
4	1	EAC0053J06A	Adjuster - Arm, Sape
5	1	1-06868A	Spring - Comp D145e, Din 2098
6	1	1-3824	Screw - Self Tap,6 X 12mm
7	1	EAM0005D38A	Bushing 1
8	1	EAC0053J03A	Arm-sape
9	1	1-3624	Screw - Fhms,5x40mm,Self Tap
10	1	EAM0005D37A	Rod - M1
11	1	EAL0345D01A	Measure Tape - Sape
12	2	1-13609	Screw-shcs, M4-16 8.8
13	2	1-4577	Ring-snap,25 X 1.20
14	1	1-13377A	Circlip - 27 X 1.20
15	1	1-07162A	Shim Ring - 28 X 40 X
16	1	EAS2021J32A	Angle - 2d Sape
17	1	EAC0058D12A	Cog Wheel - 56 Tooth
18	1	EAC0058D06A	Rope - Reel 290mm
19	1	1-03267A	Tension Spring - Sape
20	1	2-07557A	Sleeve - Compression,Oval
21	2	EAA0266D20A	Rotative Transducer - Assy
22	1	EAM0005D35A	Guiding Reel
23	2	6-00404A	.700 Ft Rope-hemingway Dyneema, Type 40
24	1	8-1940	Pin-pushin, Nylon, .165 X 1.062
25	2	2-07657A	Clamping Device With Nut
26	1	EAM0005D39A	Bushing 2
27	1	EAC0058D13A	Cog Wheel-28 Tooth
28	1	EAS2021J36A	Mounting Brkt 2D SAPE

SHAFT ADAPTERS AND ACCESSORIES

Cone Kit Part Number EAA0247G50A



Ref #	Qty	Part Number	Description
1	1	EAM0003J13A	Cone, 89-132 mm
2	1	EAM0003J12A	Cone, 82-99 mm
3	1	EAM0003J11A	Cone, 68-85 mm
4	1	EAM0003J10A	Cone, 43-72 mm
5	1	8 - 02040A2	Cup - Pressure
6	1	8 - 02040A1	Disk - Pressure
7	1	8 - 02040A	Quick Nut
8	1	EAM0005D40A	Weight - Calibration
9	1	EAM0005D14A	Stub Shaft
10	1	8 - 01050A	Wrench - Fork, 19mm
11	1	EAA0247G21A	Caliper - Rim Width
12	4	EAC0060G02A	Flange - Cover, Hook
13	4	EAM0006G01A	Hook - Storage
*	1	ZEEWB304A9	Lit Pack - EEWB304A

MOTORCYCLE ADAPTERS



EAA0277D29A Extended Shaft Adapter



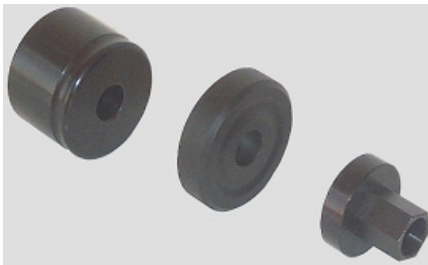
EAA0277D03A 10mm Shaft Adapter



EAA0277D22A Harley Davidson wheels



EAA0277D07A Suzuki, NTV, and Moto Guzzi V11 wheels



EAA0277D06A Rear Scooter Wheels



EAA0277D05A Scooter Wheels



EAA0260D80A Basic Adapter



EAA0277D16A BMW Mono-lever Wheels



EAA0277D20A Ducati Wheels



EAA0277D09A Honda or Yamaha rear Mono-lever wheels



EAA0277D11A Aprilia Rear Mono-lever

MISCELLANEOUS

EAL0341J08A	Label - Warning, Safety Goggles
EAL0341J09A	Label - Warning, Moving Comp
EAX0039J00A	Cord - Power, 115v
EAL0307L00A	Label - Canadian Certification
EAL0343J53A	Label - Warn.patent
EAL0341J36A	Label - Attention - Brake Pedal
EAL0341J38A	Label - Max Wheel - Dia
00111243000	Label - Warning, Explos.
EAL0341J01A	Label, Mod/Ser, S/O Low Dig
ZEEWB304A9	Lit Pack S/O Low Dig
KN300A	Decal - Logo, Snap - On
EAL0341J37A	Label - Fuse 5 Amp
8-23562A	Label - Warning
8-23762A	Label - Earth Symbol
00111243000	Label - Warning, Expl
00111245000	Label - Caution, Elect
EAL0341J07A	Label - Warning, Disconnect Power

PARTS IN ALPHABETICAL ORDER

Description	Part Number
.700 Ft Rope - hemingway Dyneema, Type 40	6-00404A
.700 Ft Strap - Velcro, 1/4", Hook, Black	* 5 - 8426A1
10mm Shaft Adapter	EAA0277D03A
Adjuster - Arm, Sape	EAC0053J06A
Angle - 2d Sape	* EAS2021J32A
Aprilia Rear Mono - Lever	EAA0277D11A
Arm - sape	EAC0053J03A
Back Pack - M Cabinet Base	* EAS2021J43A
Back Pack - M Cabinet Top	* EAS2021J44A
Ball, Steel	8-1144
BMW Mono - Lever Adapter	EAA0277D16A
Bolt - M8 X 1.29 X 20mm	* 1-17709
Brake lever A cpl.	EAA0260D56A
Brake lever B cpl.	EAA0260D57A
Brake Pedal Ass'y	EAA0263G06A
Brake Pedal Support Bracket	* EAS2027G18A
Brake Spacer	* EAC0053J15A
Bushing 1	* EAM0005D38A
Bushing 2	* EAM0005D39A
Bushing, Wheelguard Tube	* EAC0060G03A
Cable - Brake, S1	EAA0260D58A
Cable - Grounding	* EAW0233J06A
Cable - IEC Module, Power	EAW0233J05A
Cable - Switch Assy	EAW0233J08A
Caliper - Rim Width	EAA0247G21A
Capacitor - Start 20uf 400v	2-01529A
Capacitor - Start, 10uf 400v	2-01429A
Chamfered Brake Pedal	* EAS2027G31A
Circlip - 27 X 1.20	* 1-13377A
Clamping Device With Nut	* 2-07657A
Cog Wheel - 56 Tooth	EAC0058D12A
Cog Wheel - 28 Tooth	EAC0058D13A
Compression Spring	* 1-6668
Cone, 43 - 72 mm	EAM0003J10A
Cone, 68 - 85 mm	EAM0003J11A
Cone, 82 - 99 mm	EAM0003J12A
Cone, 89 - 132 mm	EAM0003J13A
Connector - 10 Pin, Wago 733 - 110	* 2-17947A
Cover - wheelguard, Y2k	* EAC0053J09A
Cup - Pressure	8 - 02040A2
Disk - Pressure	8 - 02040A1
Disk - Touching	EAC0058D11A
Drive Wheel	* EAM0005D12A
Ducati Adapter	EAA0277D20A
Ejector	* EAC0058D09A
Electronic Unit, Low Dig	EAA0255J23A
Encoder PCB	EAA0260D09A
Extended 10mm Shaft	EAA0277D29A
Flange - Cover, Hook	* EAC0060G02A
Frame - Digital Box Top	* EAS2021J30A
Frame Ass'y Digital Box Base	* EAS2021J28A
Fuse - Time Delay, 5.00A 5x20mm	* 2-16251A
Guiding Reel	* EAM0005D35A
Harley Davidson Adapter	EAA0277D22A

Description	Part Number
Harness - Wiring, Transformer	EAW0233J07A
Harness - Display PCB	EAW0233J01A
Honda or Yamaha Adapter	EAA0277D09A
Hook - Storage	* EAM0006G01A
Knob - Black, D Shaft	* 1591 - 01
Lit Pack - EEWB304A	* ZEEWB304A9
Measure Tape - Sape	EAL0345D01A
Membrane Switch - So Low Dig	EAA0255J09A
Micro Switch Plate	EAC0053J16A
Motor Distance bolt	EAM0005D09A
Motor Pulley	EAM0005D08A
Motor, AC 120w 1 Ph 220 - 240v - 50/60 Hz	EAA0266D29A
Motorcycle Adapter Kit	EAA0260D80A
Mounting Brkt 2D SAPE	EAS2021J36A
Multirib Belt 5 PJ 711 Din 7867	8-3531
Nut - Hex	* 1-11633
Nut - Hex M 10 X 1 DIN 439	* 1-4034
Nut - Kep Hex 1/4 X 20	* 1-7433
Nut - Keps, M3 - .5	* 1 - 15033
Nut - Tinnerman, 1/4 - 20, J - type	* 1-6739
Nut - Hex M 10 X 1 DIN 934	* 1-11833
Nut - hex, M3 Din 934	* 1-11233
Nutsert - M10	* 1-17659A
Nutsert - M6	* 1-17559A
Nutsert - M8 X 1.25	* 1-18359A
PCB Ass'y - Power Interface	EAP0201D10A
PCB Ass'y - Processor	EAP0201D00A
PCB Assy - Display, So Low Dig	EAP0192P60A
Pin - pushin, Nylon, .165 X 1.062	* 8-1940
Plug - hole, Plastic 1.5"	* 1-3176
Plug - Hole, 16mm	* 8-7216
Pop Rivet - 3/16"	* 1-7558
Power Entry Module	2-16851A
Pretension Spring	* 1-2967
Protective Pipe For Cables	* 8-634-01
Quick Nut	8 - 02040A
Ribbon Cable Vibratory	EAW0239D00A
Ring - snap, 25 X 1.20	* 1-4577
Rod - M1	EAM0005D37A
Rope - Reel 290mm	* EAC0058D06A
Rotative Transducer - Assy	EAA0266D20A
Scooter Rear Wheel Adapter	EAA0277D06A
Scooter Wheel Adapter	EAA0277D05A
Screw - BHCS - 1/4 - 20x7/8	* 1-44009A
Screw - FHMS, 5x40mm, Self Tap	* 1-3624
Screw - Hex Hd Cap, M6 X 16 8.8	* 1-16309
Screw - HHMS 8m - 1.25 X 50mm	* 1-01515A
Screw - Pan Hd, M3x30 Slotted	* 1-7104
Screw - Phil Hd, M4 X 6mm Din7985	* 1 - 13004
Screw - Self Tap, 5 X 10mm	* 1-3724
Screw - Self Tap, 6 X 12mm	* 1-3824
Screw - SHCS, M4 - 16 8.8	* 1-13609
Screw Hex HD M 6 X 12	* 1-30701
Screw Hex Socket / Countersunk M 4 X 25	* 1-17403
Screw Hex Socket / Countersunk M 4 X 65	* 1-19903A
Screw Phillip Pan HD M 4 X 6	* 1-13004

Description	Part Number
Screw, Hex Head Socket - M8 X 45	* 1-18209
Screw, Set, M8 X 8mm Flat Pt	* 1-47810
Setscrew - Hex Socket M 10 X 1	* EAM0005D07A
Sheet - Support, Tube	* EAS2027G36A
Shim Ring - 28 X 40 X	* 1-07162A
Sleeve - Compression, Oval	* 2-07557A
Snap Ring	* 1-13077
Spacer	* EAM0005D18A
Spring - Comp D145e, Din 2098	* 1-06868A
Spring - Compression 5 X 63 X 120	* 1-6498
Spring - Extension Wheelguard	* EAM0003J18A
Spring Case Deep Draw	* EAS2025D14A
Spring Centering Ring	* EAC0058D03A
Standoff - Hex, M3 - .5x10mm, Thdm/F	* 1 - 8261
Stub Shaft	* EAM0005D14A
Suzuki, NTV & Moto Guzzi V11	EAA0277D07A
Tension Spring - Sape	* 1-03267A
Terminal Lug - 6.3mmx8mm, Pop Riv	* 2-23201
Transducer	EAA0260D59A
Transformer 115v - 230v, 500va	7-15601A
Tube - Wheelguard, M Cabinet Assy	* EAA0255J29A
Vibrator Ass'y - motorized	EAA0277D65A
Washer - 8mm	* 1-17741
Washer - Beveled, Serrated M4	* 1 - 5547
Washer - Ext, Shakeproof, M3	* 1 - 1248
Washer - Ext, Shakeproof 6mm	* 1-1548
Washer - Plain, M10.5 Din 125	* 1-11841
Washer - ext, Shakeproof, M3	* 1-1248
Washer - flat, M3 Din 125a	* 1-9541
Washer, Plain 10mm	* 1-16941
Washer, Plain M8	* 1-10041
Weight - Calibration	EAM0005D40A
Weight Tray Low Digital	* EAC0053J01A
Weldment - wheelguard, M1	* EAS2021J15A
Weldment - wheelguard, M1	* EAS2027G63A
Wheelguard Tube Ring Nut	* EAM0006G02A
Wire Assembly - GND	* EAW0233J00A
Wrench - Fork, 19mm	* 8 - 01050A

NOTE: PARTS LISTED WITH AN * OR OTHERWISE NOTED ARE CONSIDERED SPECIAL ORDER PARTS AND WILL NOT BE STOCKED, OR LISTED, IN THE EQUISERV PARTS SYSTEM UNTIL ORDERED BY A TECHNICIAN. WHEN ORDERING THESE PARTS PLEASE NOTE THAT THESE ARE GOOD PART NUMBERS BUT THE PARTS DEPARTMENT WILL HAVE TO SET THEM UP IN THE SYSTEM BEFORE YOU CAN ORDER ONE AND THEREFORE AN EXTENDED LEAD TIME MAY APPLY.

PARTS IN NUMERICAL ORDER

Part Number	Description
* 1 - 1248	Washer - Ext, Shakeproof, M3
* 1 - 13004	Screw - Phil Hd, M4 X 6mm Din7985
* 1 - 15033	Nut - Keps, M3 - .5
* 1 - 5547	Washer - Beveled, Serrated M4
* 1 - 8261	Standoff - Hex, M3 - .5x10mm, Thdm/F
* 1-01515A	Screw - HHMS 8m - 1.25 X 50mm
* 1-03267A	Tension Spring - Sape
* 1-06868A	Spring - Comp D145e, Din 2098
* 1-07162A	Shim Ring - 28 X 40 X
* 1-10041	Washer, Plain M8
* 1-11233	Nut - hex, M3 Din 934
* 1-11633	Nut - Hex
* 1-11833	Nut - Hex M 10 X 1 DIN 934
* 1-11841	Washer - Plain, M10.5 Din 125
* 1-1248	Washer - ext, Shakeproof, M3
* 1-13004	Screw Phillip Pan HD M 4 X 6
* 1-13077	Snap Ring
* 1-13377A	Circlip - 27 X 1.20
* 1-13609	Screw - SHCS, M4 - 16 8.8
* 1-1548	Washer - Ext, Shakeproof 6mm
* 1-16309	Screw - Hex Hd Cap, M6 X 16 8.8
* 1-16941	Washer, Plain 10mm
* 1-17403	Screw Hex Socket / Countersunk M 4 X 25
* 1-17559A	Nutsert - M6
* 1-17659A	Nutsert - M10
* 1-17709	Bolt - M8 X 1.29 X 20mm
* 1-17741	Washer - 8mm
* 1-18209	Screw, Hex Head Socket - M8 X 45
* 1-18359A	Nutsert - M8 X 1.25
* 1-19903A	Screw Hex Socket / Countersunk M 4 X 65
* 1-2967	Pretension Spring
* 1-30701	Screw Hex HD M 6 X 12
* 1-3176	Plug - hole, Plastic 1.5"
* 1-3624	Screw - FHMS, 5x40mm, Self Tap
* 1-3724	Screw - Self Tap, 5 X 10mm
* 1-3824	Screw - Self Tap, 6 X 12mm
* 1-4034	Nut - Hex M 10 X 1 DIN 439
* 1-44009A	Screw - BHCS - 1/4 - 20x7/8
* 1-4577	Ring - snap, 25 X 1.20
* 1-47810	Screw, Set, M8 X 8mm Flat Pt
* 1591 - 01	Knob - Black, D Shaft
* 1-6498	Spring - Compression 5 X 63 X 120
* 1-6668	Compression Spring
* 1-6739	Nut - Tinnerman, 1/4 - 20, J - type
* 1-7104	Screw - Pan Hd, M3x30 Slotted
* 1-7433	Nut - Kep Hex 1/4 X 20
* 1-7558	Pop Rivet - 3/16"
* 1-9541	Washer - flat, M3 Din 125a
2-01429A	Capacitor - Start, 10uf 400v
2-01529A	Capacitor - Start 20uf 400v
* 2-07557A	Sleeve - Compression, Oval
* 2-07657A	Clamping Device With Nut
* 2-16251A	Fuse - Time Delay, 5.00A 5x20mm
2-16851A	Power Entry Module

Part Number	Description
* 2-17947A	Connector - 10 Pin, Wago 733 - 110
* 2-23201	Terminal Lug - 6.3mmx8mm, Pop Riv
* 5 - 8426A1	.700 Ft Strap - Velcro, 1/4", Hook, Black
6-00404A	.700 Ft Rope - hemingway Dyneema, Type 40
7-15601A	Transformer 115v - 230v, 500va
* 8 - 01050A	Wrench - Fork, 19mm
8 - 02040A	Quick Nut
8 - 02040A1	Disk - Pressure
8 - 02040A2	Cup - Pressure
8-1144	Ball, Steel
* 8-1940	Pin - pushin, Nylon, .165 X 1.062
8-3531	Multirib Belt 5 PJ 711 Din 7867
* 8-634-01	Protective Pipe For Cables
* 8-7216	Plug - Hole, 16mm
EAA0247G21A	Caliper - Rim Width
EAA0255J09A	Membrane Switch - So Low Dig
EAA0255J23A	Electronic Unit, Low Dig
* EAA0255J29A	Tube - Wheelguard, M Cabinet Assy
EAA0260D09A	Encoder PCB
EAA0260D56A	Brake lever A cpl.
EAA0260D57A	Brake lever B cpl.
EAA0260D58A	Cable - Brake, S1
EAA0260D59A	Transducer
EAA0260D80A	Motorcycle Adapter Kit
EAA0263G06A	Brake Pedal Ass'y
EAA0266D20A	Rotative Transducer - Assy
EAA0266D29A	Motor, AC 120w 1 Ph 220 - 240v - 50/60 Hz
EAA0277D03A	10mm Shaft Adapter
EAA0277D05A	Scooter Wheel Adapter
EAA0277D06A	Scooter Rear Wheel Adapter
EAA0277D07A	Suzuki, NTV & Moto Guzzi V11
EAA0277D09A	Honda or Yamaha Adapter
EAA0277D11A	Aprilia Rear Mono - Lever
EAA0277D16A	BMW Mono - Lever Adapter
EAA0277D20A	Ducati Adapter
EAA0277D22A	Harley Davidson Adapter
EAA0277D29A	Extended 10mm Shaft
EAA0277D65A	Vibrator Ass'y - motorized
* EAC0053J01A	Weight Tray Low Digital
EAC0053J03A	Arm - sape
EAC0053J06A	Adjuster - Arm, Sape
* EAC0053J09A	Cover - wheelguard, Y2k
* EAC0053J15A	Brake Spacer
EAC0053J16A	Micro Switch Plate
* EAC0058D03A	Spring Centering Ring
* EAC0058D06A	Rope - Reel 290mm
* EAC0058D09A	Ejector
EAC0058D11A	Disk - Touching
EAC0058D12A	Cog Wheel - 56 Tooth
EAC0058D13A	Cog Wheel - 28 Tooth
* EAC0060G02A	Flange - Cover, Hook
* EAC0060G03A	Bushing, Wheelguard Tube
EAL0345D01A	Measure Tape - Sape
EAM0003J10A	Cone, 43 - 72 mm
EAM0003J11A	Cone, 68 - 85 mm
EAM0003J12A	Cone, 82 - 99 mm

Part Number	Description
EAM0003J13A	Cone, 89 - 132 mm
* EAM0003J18A	Spring - Extension Wheelguard
* EAM0005D07A	Setscrew - Hex Socket M 10 X 1
EAM0005D08A	Motor Pulley
EAM0005D09A	Motor Distance bolt
* EAM0005D12A	Drive Wheel
* EAM0005D14A	Stub Shaft
* EAM0005D18A	Spacer
* EAM0005D35A	Guiding Reel
EAM0005D37A	Rod - M1
* EAM0005D38A	Bushing 1
* EAM0005D39A	Bushing 2
EAM0005D40A	Weight - Calibration
* EAM0006G01A	Hook - Storage
* EAM0006G02A	Wheelguard Tube Ring Nut
EAP0192P60A	PCB Assy - Display, So Low Dig
EAP0201D00A	PCB Ass'y - Processor
EAP0201D10A	PCB Ass'y - Power Interface
* EAS2021J15A	Weldment - wheelguard, M1
* EAS2021J28A	Frame Ass'y Digital Box Base
* EAS2021J30A	Frame - Digital Box Top
* EAS2021J32A	Angle - 2d Sape
EAS2021J36A	Mounting Brkt 2D SAPE
* EAS2021J43A	Back Pack - M Cabinet Base
* EAS2021J44A	Back Pack - M Cabinet Top
* EAS2025D14A	Spring Case Deep Draw
* EAS2027G18A	Brake Pedal Support Bracket
* EAS2027G31A	Chamfered Brake Pedal
* EAS2027G36A	Sheet - Support, Tube
* EAS2027G63A	Weldment - wheelguard, M1
* EAW0233J00A	Wire Assembly - GND
EAW0233J01A	Harness - Display PCB
EAW0233J05A	Cable - IEC Module, Power
* EAW0233J06A	Cable - Grounding
EAW0233J07A	Harness - Wiring, Transformer
EAW0233J08A	Cable - Switch Assy
EAW0239D00A	Ribbon Cable Vibratory
* ZEEWB304A9	Lit Pack - EEWB304A

NOTE: PARTS LISTED WITH AN * OR OTHERWISE NOTED ARE CONSIDERED SPECIAL ORDER PARTS AND WILL NOT BE STOCKED, OR LISTED, IN THE EQUISERV PARTS SYSTEM UNTIL ORDERED BY A TECHNICIAN. WHEN ORDERING THESE PARTS PLEASE NOTE THAT THESE ARE GOOD PART NUMBERS BUT THE PARTS DEPARTMENT WILL HAVE TO SET THEM UP IN THE SYSTEM BEFORE YOU CAN ORDER ONE AND THEREFORE AN EXTENDED LEAD TIME MAY APPLY.



Snap-on Incorporated
2801 80th Street
Kenosha, WI 53141 - 1410

For Service Call:
1-800-225-5786

Notice: The information contained in this document is subject to change without notice. Snap-on Incorporated makes no warranty with regard to this material. Snap-on Incorporated shall not be liable for errors contained herein or for incidental consequential damages in connection with furnishings, performance, or use of this material.

This document contains proprietary information which is protected by copyright and patents. All rights are reserved. No part of this document may be photocopied, reproduced, or translated without prior written consent of Snap-on Incorporated.



is a registered trademark of Snap-on Technologies Inc.