



EEWB331B

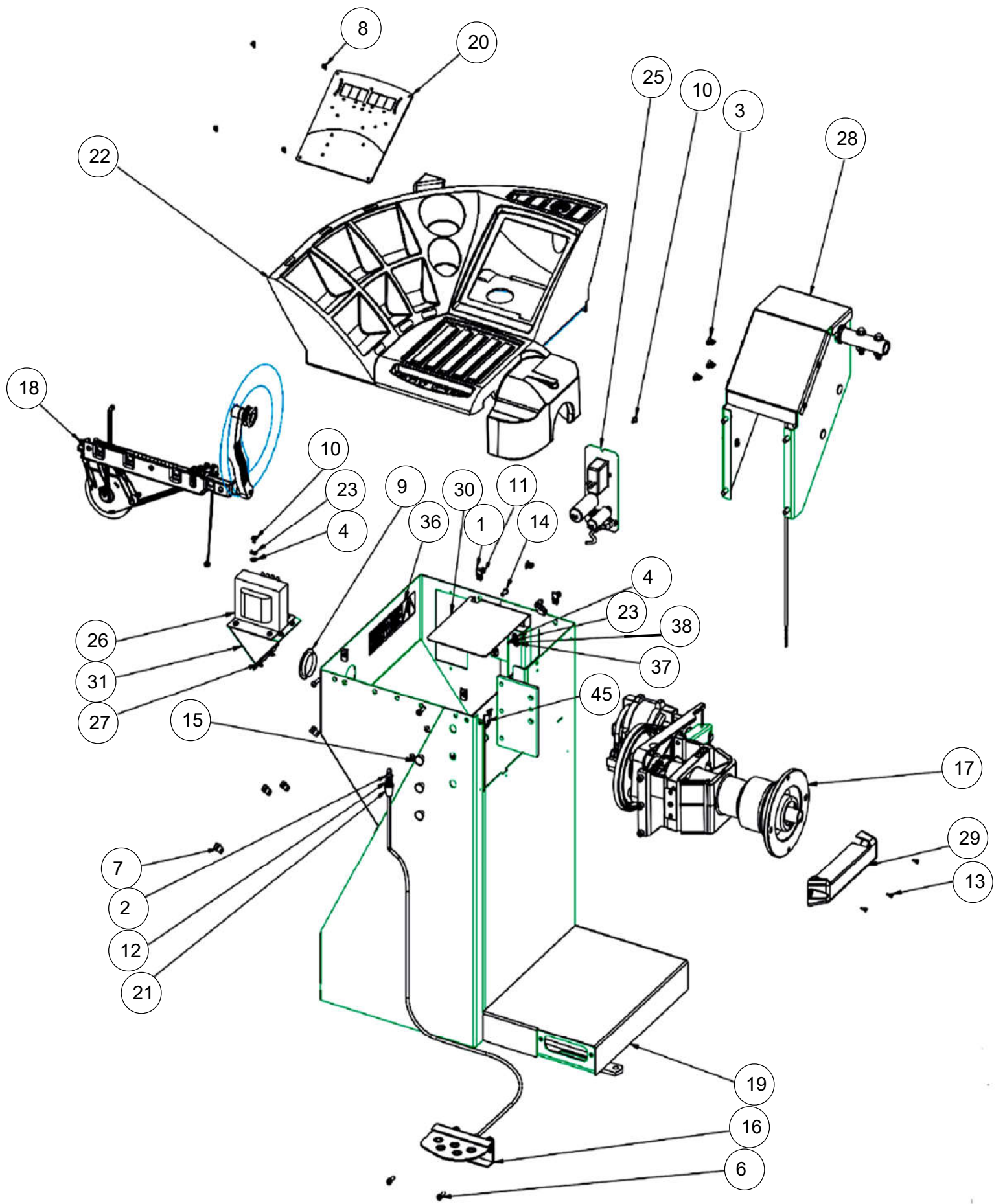
**Motorized Wheel Balancer
with Integrated Display**



EEWB331B PARTS MANUAL

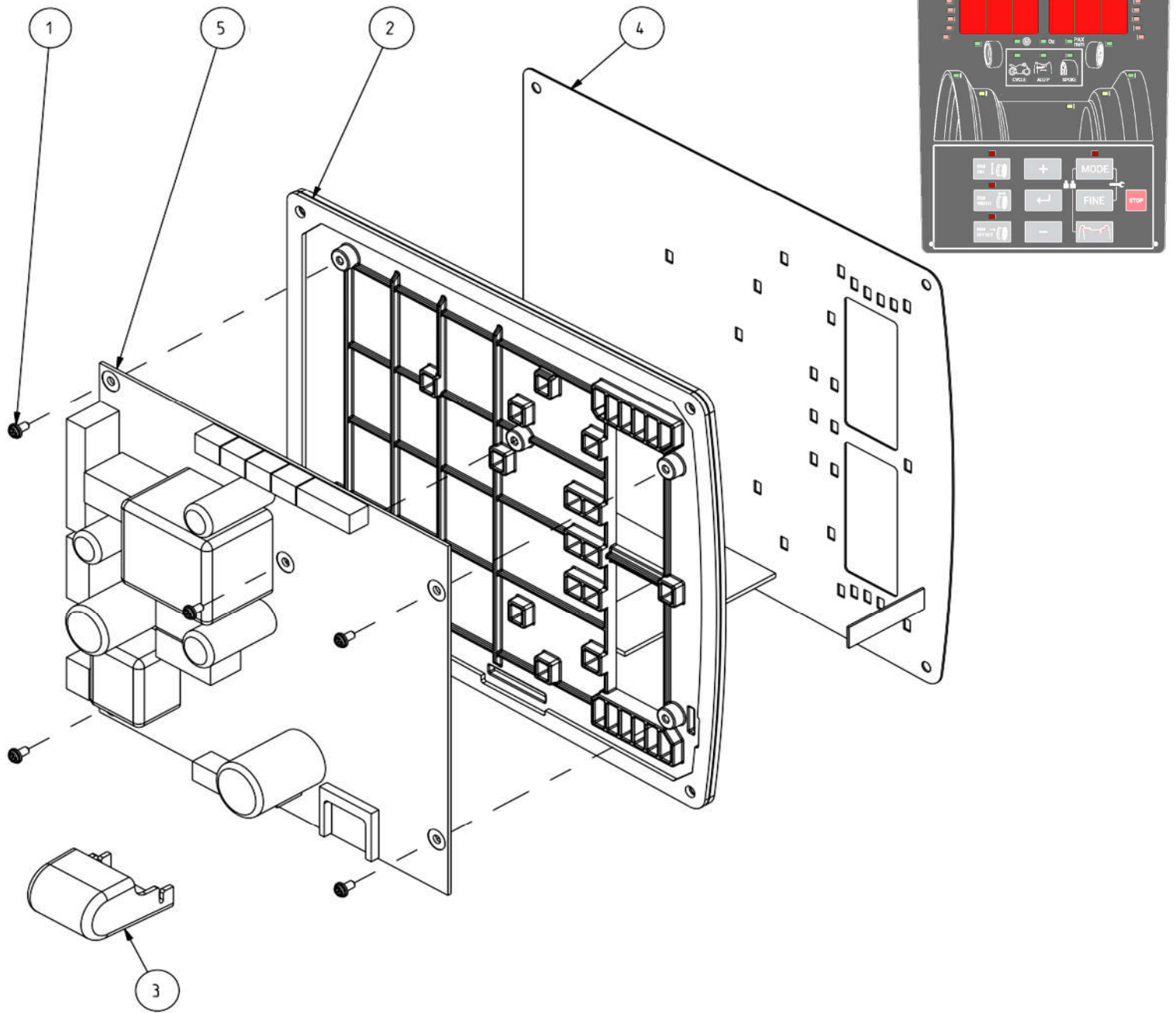
EEWB331B B.O.M

PART NUMBER	DESCRIPTION
EAA0423J41A	ASSY BAL-SO DIGITAL MOTORIZED
EAA0369J54A	HOOD ASSY NO SONAR
EAW0290J26A	POWER CABLE-5 METERS
ZEEWB331B9	LIT PACK SNAP-ON HAND SPIN
EAL0341J96A	LABEL-BALANCER WARNING REAR
EAL0341J97A	LABEL-BALANCER WARNING SIDE
EAL0341J63A	LABEL-PATENT
EAL0343J76B	SERIAL LABEL DOCUMENT
EAL0352J20A	DECAL SNAP-ON 9" WHITE VINYL
EAL0352J19A	DECAL SNAP-ON S WHITE VINYL
EAL0420J53A	LABEL-CAUTION MAX WHEEL DIA
EAA0263G79A	QUICK NUT KIT
EAK0309J28A	KIT - 4 CONE
EAC0058D68A	SPACER, 29660
EAM0005D40A	CALIBRATION WEIGHT
EAM0006G01A	PIN CONE STORAGE
EAC0060G02A	FLANGE WSHR CONE STORAGE
WWPR13A	PLIER WEIGHT SNAPON
EAA0247G21A	WHEEL CALIPERS

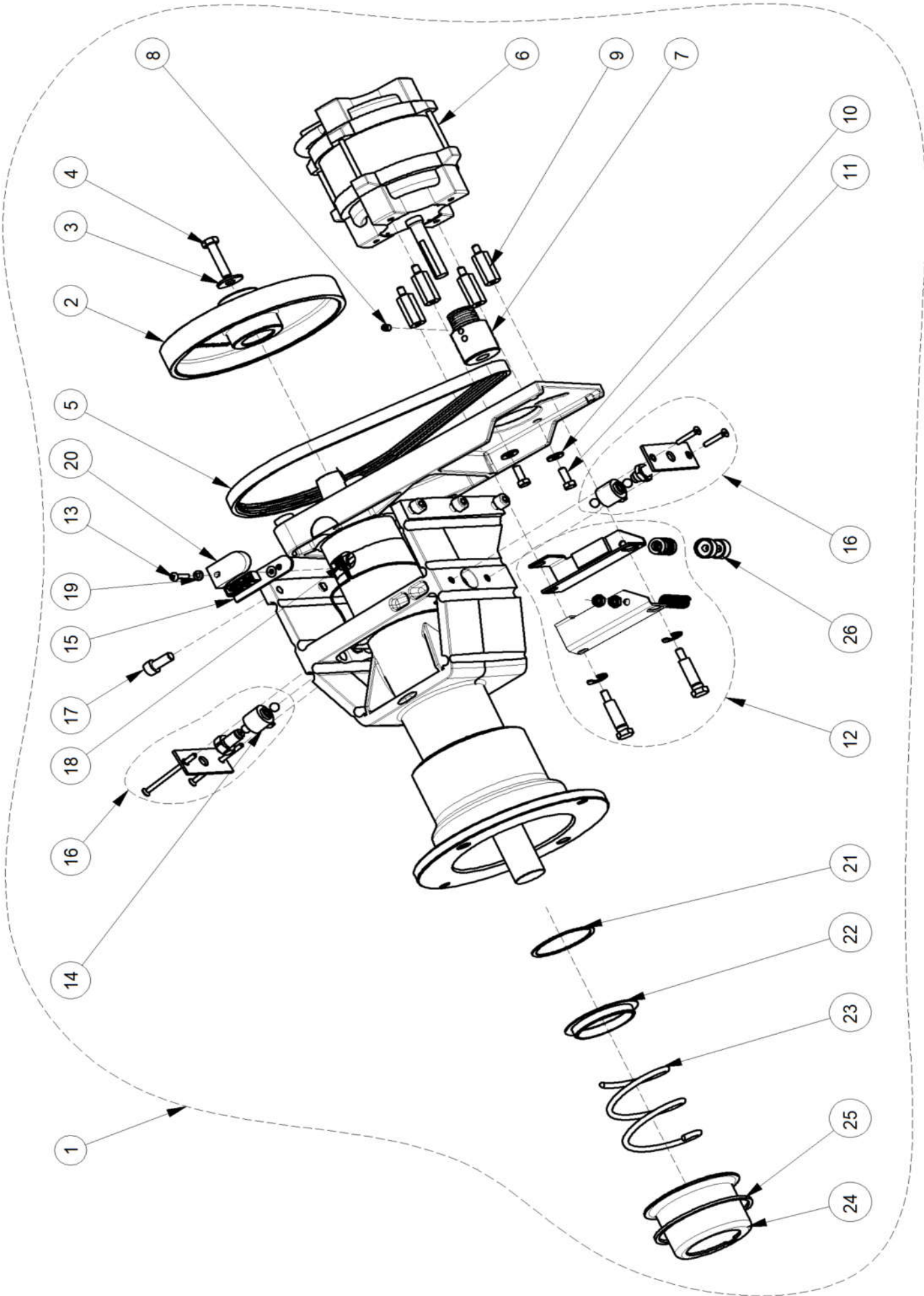


REF#	QTY	PART NUMBER	DESCRIPTION
1	1	1-07439A	NUT-TINNERMAN 1/4-20
2	1	1-11633	NUT M6 X 5, 2MM THK BLK
3	2	1-08176A	PLUG-HOLE-16 7MM DIA-25838
4	1	1-1548	WASHER-6MM SP-PURCH TEXT
5	1	1-18359A	NUTSERT-M8 X 1.25
6	1	1-16309	SCREW - SHCS M6 X 16MM
7	1	1-17659A	NUTSERT-M10
8	2	1-41906A	SCREW MACH 8 X 3/4 PH TORX
9	1	1-2676	PLUG-HOLE 2 DIA BLACK
10	1	1-3724	SCREW-M5 X 10 THREAD FORMING
11	1	1-44009A	SCREW-BHCS-1/4X7/8 91255A541
12	1	1-6668	SPRING COMPRESSION
13	1	1-22623A	SCREW-PH PN H TAP 3.9X13 A2J C
14	1	1-2509	SCREW-BHCS 1/4-20 X 5/8
15	1	8-7216	PLUG-HOLE 16MM
16	1	EAA0263G07A	BRAKE PEDAL ASSY
17	1	EAA0364G85A	QR VIBRATORY-ALU INT FL UL
18	2	EAA0471G16A	S2 SAPE 1D-2D ASSY
19	2	EAA0423J53A	BALANCER CABINET SMALL RED
20	1	EAA0470G15A	CR QR SO DISPLAY PANEL ASSY
21	1	EAC0053J15A	BRAKE SPACER

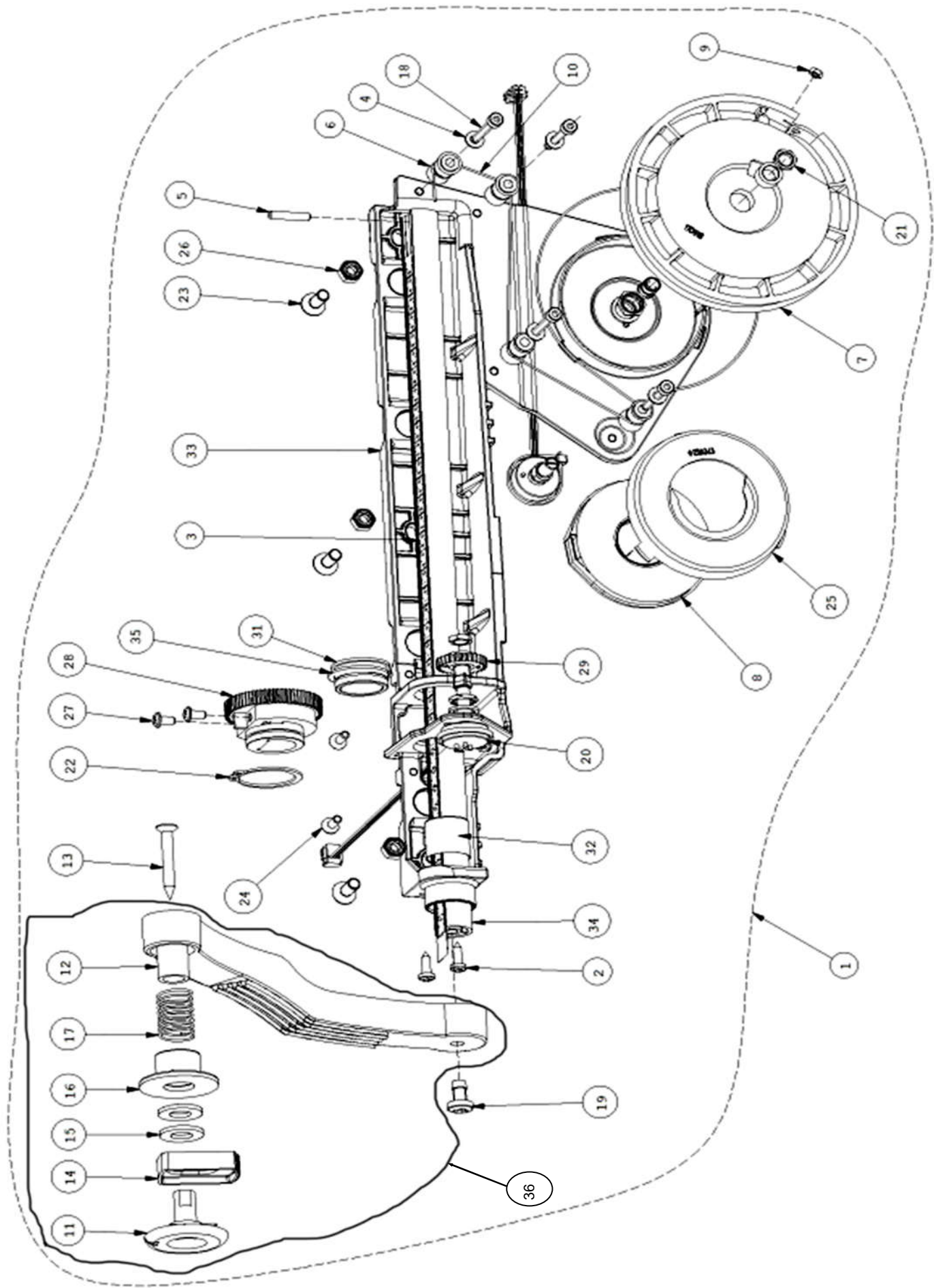
REF#	QTY	PART NUMBER	DESCRIPTION
22	2	EAM0122G78A	WEIGHT TRAYJBEG S1
23	1	2-23201	TERMINAL-LUG POP RIVET
25	1	EAA0369J81A	POWER INLET ASSY WITH CAPS
26	1	7-16201A	TRANSFORMER-500 VVA
27	1	8-02340A	CLIP-KEY HOLE NYLON-BLACK
28	1	EAA0369J53A	BACKPACK ASSY
29	1	EAM0062G50A	COVER-VIBRATORY SYSTEM
30	1	EAS2113J78A	SHIELD-FIRE S2/08J0705
31	1	EAS2118J60A	PLATE-TRANSFORMER S2 CAB
32	1	EAW0239D07A	CABLE-GROUNDING 600MM
33	1	EAW0243J02A	MAIN SWITCH INVERTER CABLE
34	1	EAW0283G51A	BALANCER WIRING HARNESS UL
36	1	EAL0341J98A	LABEL-BALANCER WARNING EBOX
37	1	8-23762A	LABEL-EARTH SYMBOL
38	1	1-7558	++RIVET
45	1	5-09345A	FLAT CABLE CLAMP, SCREW MOUNT
46	1	5-06345A	CABLE TIE-130mm X 4.8MM WIDE
47	1	5-09145A	PUSH RIVET , NATURAL NYLON
50	1	5-845	TIE WRAP
59	1	2-30348	CONNECTOR WAGO 733-102 FEMALE
60	1	EAS2116G12A	SPACER-VIB .2 MM



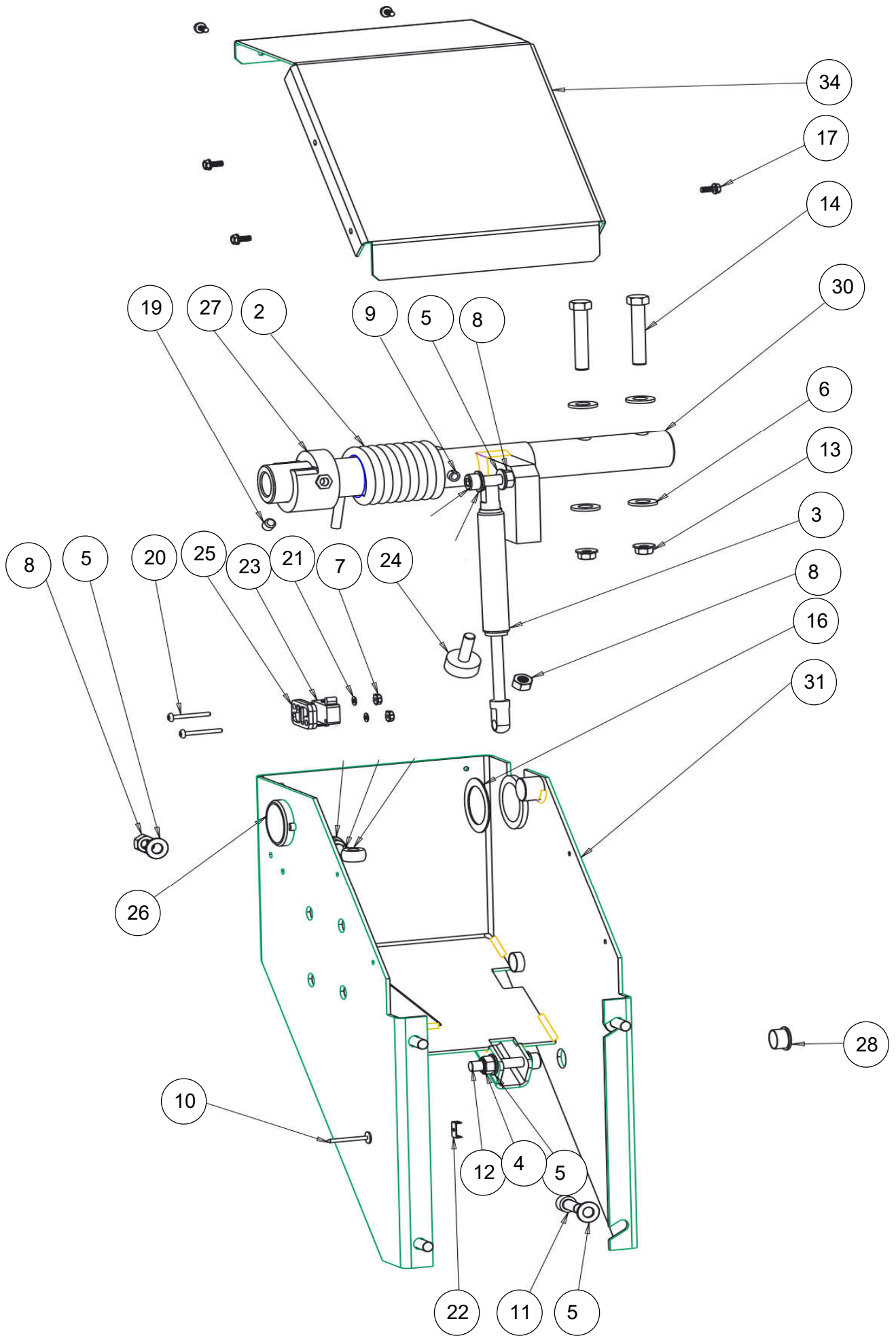
REF#	QTY	PART NUMBER	DESCRIPTION
1	5	1-17226A	SCREW FOR PLAST. PHIL.PAN H. D.3x6
2	1	EAA0457G16A	PANEL KEYBOARD SUPPORT ASSEMBLY
3	1	EAC0127G62A	FLAT CABLE PROTECTION
4	1	EAL0462G57A	FLAT KEYBOARD SNAP-ON
5	1	EAP0314G70A	INTEGRATED LED DISPLAY
N/S	1	3-78426AF1	IBP SOFTWARE



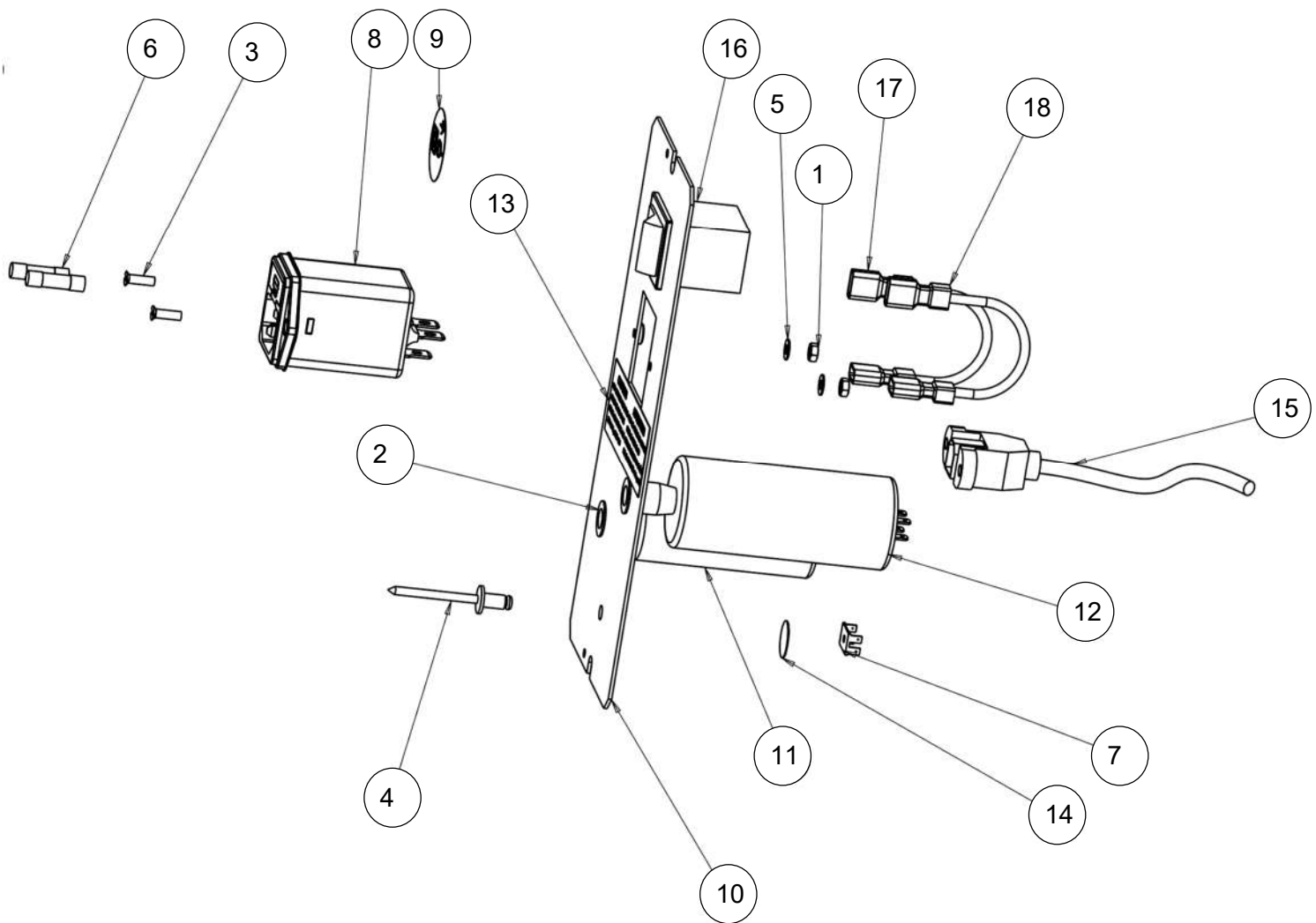
REF#	QTY	PART NUMBER	DESCRIPTION
1	1	EAA0364G85A	ALU VS MOT. INT. FL.D. 40/28,5 POL. UL
2	1	EAM0005D12A	DRIVE PULLEY
3	1	1-17841	WASHER - D. 8X24
4	1	1-32901	HEXAGON HEAD SCREW 8X35 8.8
5	1	8-3531	BELT
6	1	2-59366A	UL MOTOR INCL. CONNECTOR Y2K
7	1	EAM0005D08A	MOTOR PULLEY
8	1	1-28410	SCREW
9	4	EAM0005D09A	SPACER FOR MOTOR
10	2	1-16641	WASHER PLAIN D 6x18mm
11	2	1-46701A	HEX HEAD SCREW M6x16
N/S	2	1-36541A	SHIM RING 6X18X1
12	1	EAA0332G12A	MAIN SHAFT LOCK ASSEMBLY
	2	EAM0005D10A	BOLT SW13
	2	1-13177	CIRCLIP D. 9
	1	1-6568	COMPRESSION SPRING 1.6 X 10 X 58.5
	1	EAA0260D56A	BRAKE LEVER A CP L (UPPER)
	1	EAA0260D57A	BRAKE LEVER B CPL. (LOWER)
13	1	1-35006A	SCREW M4X20 4.8
14	2	EAA0260D59A	TRANSDUCER
15	1	EAA0344G00A	OPTO-ENCODER BOARD WITH LENS
16	1	EAA0328G16A	TRANSDUCER FIXING UNIT
	4	8-1144	STEEL BALL 8 M
	2	1-2967	COMPRESSION SPRING 1.6 X 10 X 58.5
	2	EAM0005D07A	SETSCREW HEX SOCKET M10X1X29
	1	1-04634A	NUT HEX LOW M10X1 8-A2J ISO 8675
	2	1-17403	SCREW HEX SOCKET COUNT.H M4X25 8.8-
	2	1-19903A	SCREW HEX SOCKET COUNT.H M4X65 8.8-
	1	1-11833	HEXAGON NUT B M10 X 1 -8-A2J
17	6	1-17709	SCREW TCEI 8X20 8G
18	1	EAW0240G67A	CABLE WITHOUT TEMP. SENSOR
19	1	1-9641	WASHER D4MM
20	1	EAC0094G11A	ENCODER BOARD PROTECTION
21	1	1-17641	WASHER 53X60X1
22	1	EAC0058D14A	SPRING CENTERING RING
23	1	1-07768A	COMPRESSION SPRING
24	1	EAS2025D14A	SPRING GUIDE
25	1	1-13077	CIRCLIP SB 92
26	2	EAM0005D18A	SPACER
N/S	1	5-05145A	CABLE TIE



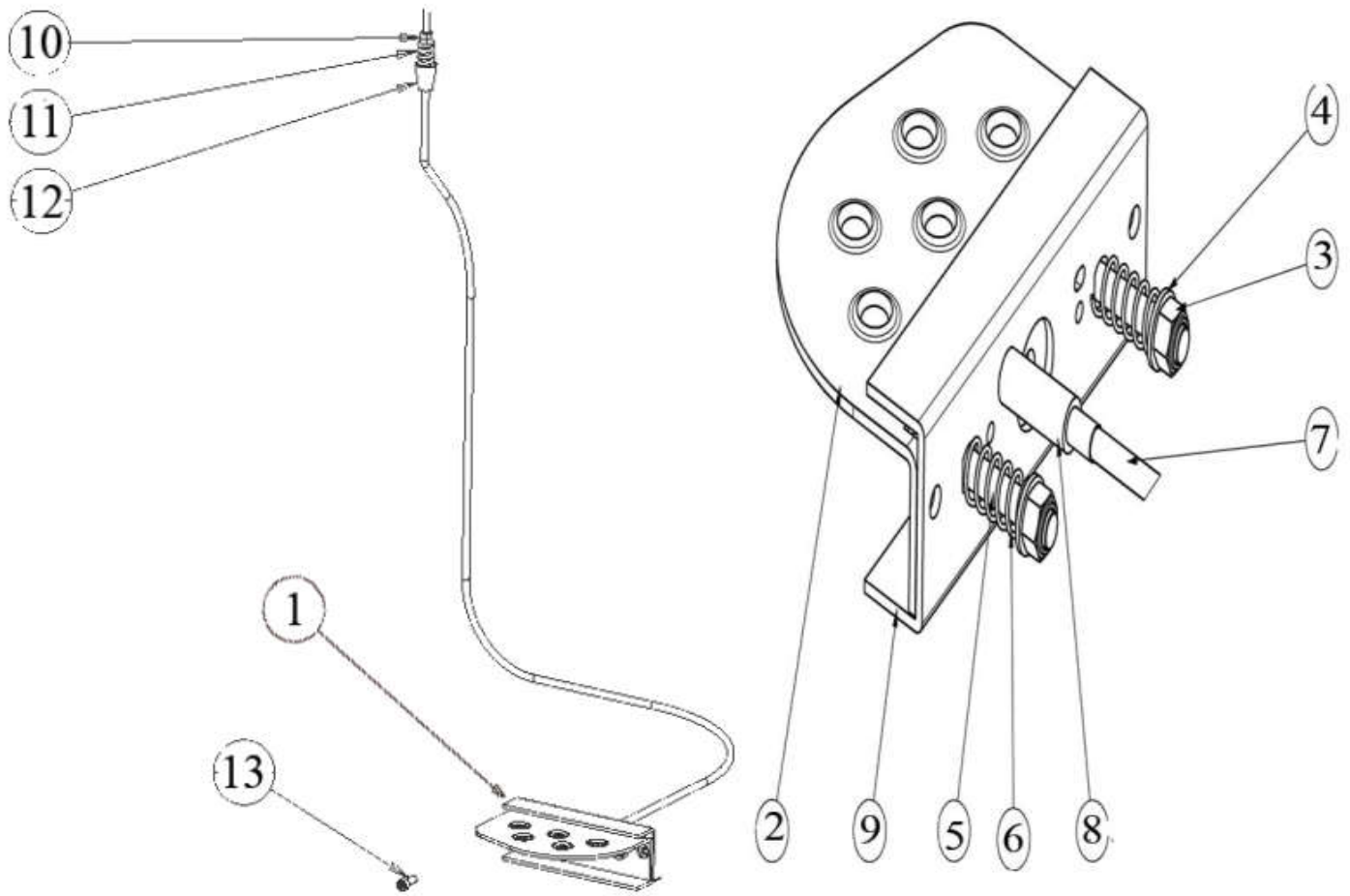
REF#	QTY	PART NUMBER	DESCRIPTION
1	1	EAA0471G16A	SAPE 1D-2D ASSY GRUPPO SAPE 1D-2D
2	2	1-22623A	SCREW, PHIL PAN H.
3	1	EAM0086G85A	DISTANCE SCALE DECAL (MM)
4	4	1-9641	WASHER
5	1	1-7810	SET SCREW FLAT POINT ZINC. M4X20
6	4	EAM0005D35A	GUIDING REEL
7	1	EAC0058D06A	RETURN PULLEY
8	1	1-08167A	STAND. SAPE TENSION SPRING
9	1	1-11233	NUT - M3 WHITE ZINCKED
10	1ft	6-00604A	ROPE SPECTRA 1000 D 0,6
11	1	EAC0058D11A	FEELER DISK
12	1	EAC0054P01A	ARM, AXCEL CALIPER
13	1	1-3624	SCREW POLYPLAST M5X40
14	1	EAC0058D09A	REGISTER, EJECTION
15	2	1-10141A1	WASHER P.D.10
16	1	EAC0058D10A	RING, PUSH
17	1	1-06868A	SPRING, COMPRESSION
18	4	1-13909	SCR - HEX M4X30
19	1	1-3824	SCREW M6X12
20	2	EAA0266D20A	POTENTIOMETER UNIT WITH NUT
21	2	2-07657A	CLAMPING DEVICE
22	1	1-13377A	CIRCLIP FOR SHAFT
23	3	1-22003A	SCREW 6X16 10K VITE TSEI
24	2	1-17726A	SCREW TPS VITE AUTOF. 9X13
25	1	EAC0058D58A	SAFETY COVER
26	3	1-9933	NUT, PREVAILING TORQUE M6
27	2	1-11726A	SCREW FOR PLAST. PHIL. PAN M4X8
28	1	EAC0058D12A	COG WHEEL 56 TEETH
29	1	EAC0058D13A	WHEEL GEAR
31	1	EAM0181G36A	S2-D2 BUSHING
32	1	1-13865A	BUSHING
33	1	EAM0125G68A	MACHINED M2 SAPE SUPPORT
34	1	EAM0053G16A	STANDARD. ROD SAPE, S1
35	1	1-4577	RING SNAP
36	1	EAA0277D94A	SAPE ARM W/EJECTOR



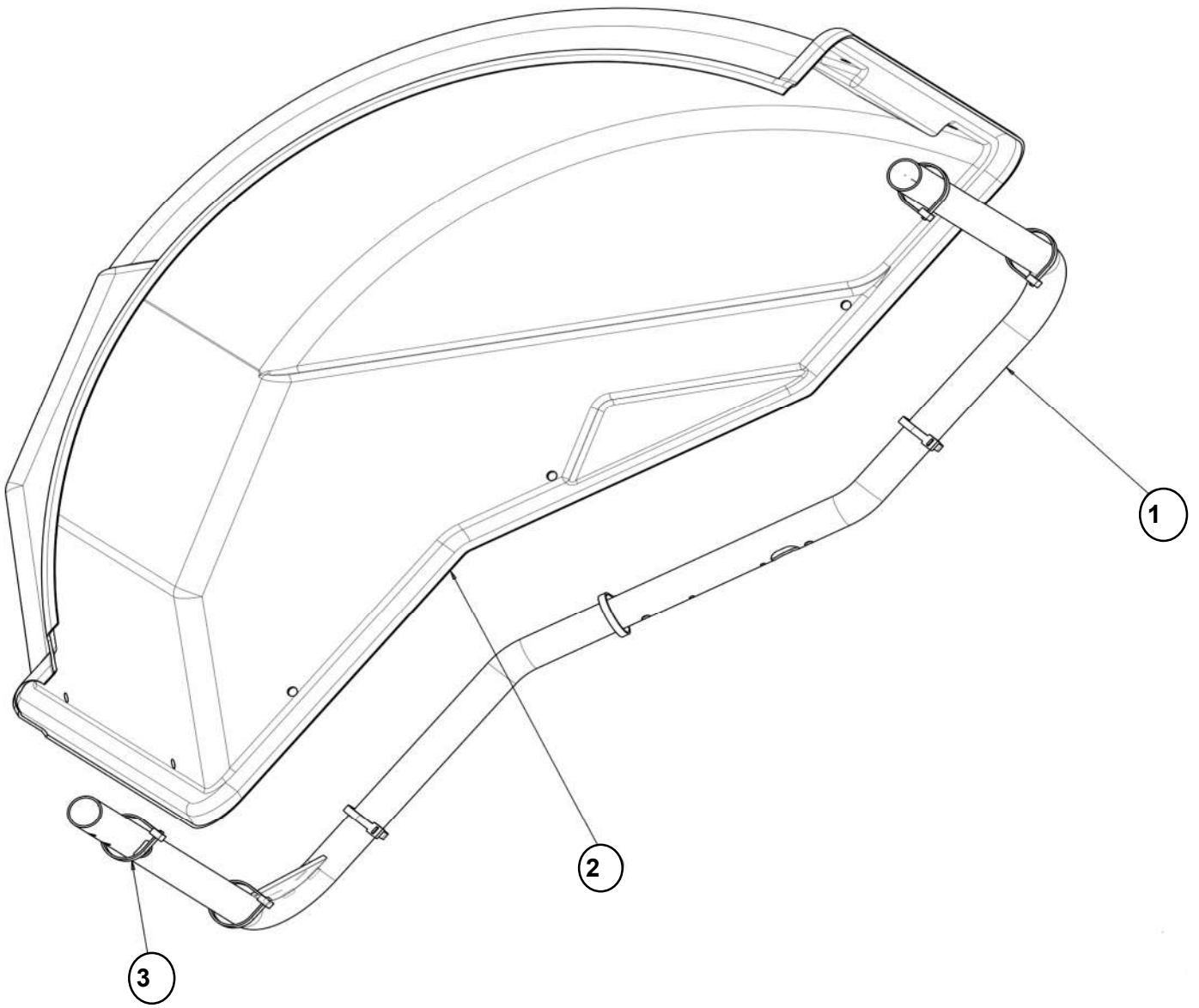
REF#	QTY	PART NUMBER	DESCRIPTION
1	1	1-01530	EYEBOLT-M8 X 50
2	1	1-04267A	SPRING-TORSION (1614017)
3	1	1-06769A	QR GAS SPRING COMPRESSION
4	1	1-10033	NUT-ESNA M8
5	2	1-10041	WASHER, PLAIN M8
6	4	1-10141	+WASHER-PLAIN DIN 125A
7	2	1-15033	NUT-KEPS M3-.5
8	1	1-15933A	NUT-HEX 8M-1.25
9	1	1-12452	PIN-M8 X 45
10	1	1-7558	++RIVET
11	4	1-17709	BOLT-M8 X 1.29 X 20MM
12	1	1-18209	SHCS-M8 X 45
13	2	1-8133	NUT-KEPS 3/8-16
14	2	1-1101	SCREW HHCS 3/8 16 X 2
16	1	1-22441A	SHIM RING- 32 X 45 X 1
17	3	1-12624A	SCREW-HEX HD M4X.39 THRD FORMI
18	1	1-07776A	PLUG-7/16 DIA HOLE 85985K15
19	1	1-47810	SCREW SET M8 X 8MM FLAT PT
20	2	1-7104	SCREW-PAN HD M3X30 SLOTTED
21	2	1-9541	WASHER-FLAT M3 DIN 125A
22	1	2-23201	TERMINAL-LUG POP RIVET
23	1	EAW0233J08A	CABLE-SWITCH ASSEMBLY
24	1	8-15218A	BUMPER M8X40 NEOPRENE
25	1	EAC0053J16A	MICRO SWITCH PLATE
26	1	EAC0058D36A	BUSHING-D132MM (1324032)
27	1	EAC0058D38A	SWITCH SEGMENT (1631040)
28	1	8-7216	PLUG-HOLE 16MM
30	2	EAM0084J39A	SHAFT STOPBLOCK WLDMT
31	1	EAS2128J43A	BACKPACK WELDMENT
34	1	EAS2128J41A	BACKPACK LID



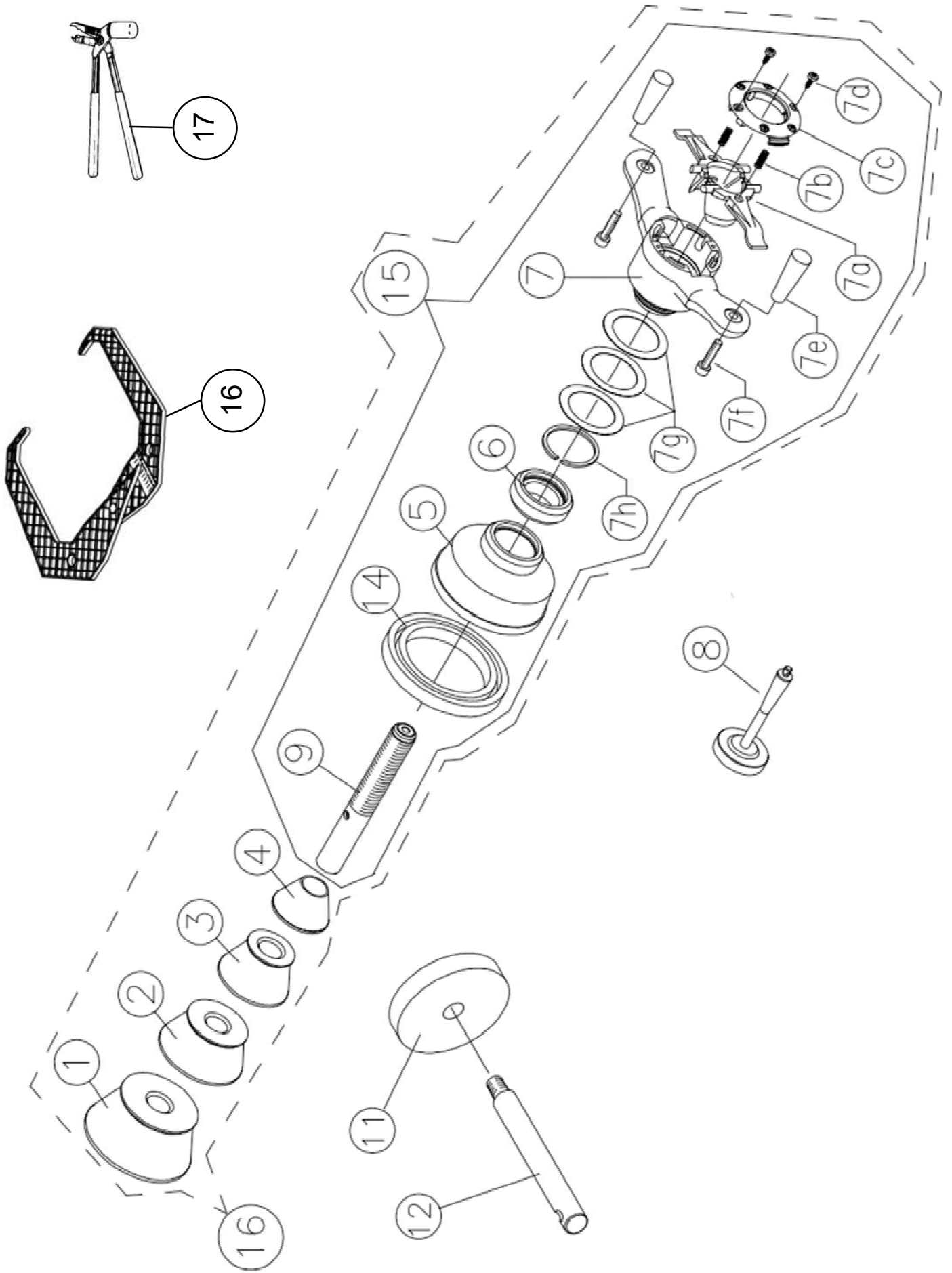
REF#	QTY	PART NUMBER	DESCRIPTION
1	2	1-01537A	NUT-ESNA,M3 X .5MM
2	2	1-18359A	SELF CLINCHING NUT (M8)
3	2	1-11103	M3 X 10mm FLAT HEAD SCREW
4	1	1-7558	POP RIVET-3/16"
5	2	1-9541	WASHER, FLAT, M3
6	2	2-21251A	FUSE 6,3A (T) IEC 60127
7	1	2-23201	TERMINAL LUG-6.3MM X .8MM POP RIVET
8	1	2-68948A	POWER ENTRY MODULE
9	1	8-23662A	LABEL
10	1	EAS2187G13A	POWER INLET PLATE
11	1	2-01429A	CAPACITOR - 10uF, 400V
12	1	2-01529A	CAPACITOR - 20uF, 400V
13	1	EAL0349G44A	FUSES CAUTION
14	1	8-23762A	LABEL - EARTH SYMB
15	1	6-14722A	EXTENSION FOR USB-B
16	1	2-13258A	MAIN SWITCH
17	1	EAW0243P22A	LINK WIRE, BROWN
18	1	EAW0243P23A	LINK WIRE, BLUE



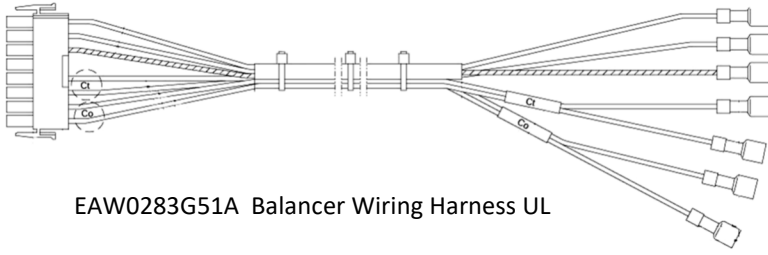
REF#	QTY	PART NUMBER	DESCRIPTION
1	1	EAA0263G07A	BRAKE PEDAL ASSM
2	1	EAS2020P20A	PEDAL-BRAKE JBEG
3	2	1-10033	NUT-ESNA, M8
4	2	1-10041	WASHER-PLAIN, M8
5	2	1-18209	SCREW-SHCS, M8 X 45
6	2	1-06768A	SPRING-COMPRESSION
7	1	EAA0344G15A	CABLE ASSY-BRAKE PEDAL ASSY
8	1	1-11633A	SPACER-BRAKE PEDAL ASSY
9	1	EAS2027G18A	SUPPORT-BRAKE CABLE
10	2	1-11633A	NUT-M6 X 5,2mmTHK, BLK
11	1	1-6668	COMPRESSION SPRING
12	1	EAM0053G06A	BRAKE SPACER



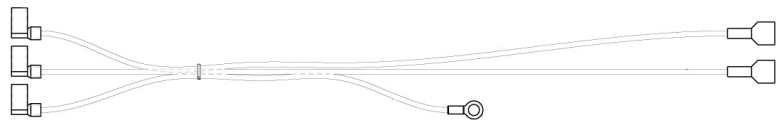
REF#	QTY	PART NUMBER	DESCRIPTION
1	1	EAM0076G34A	WHEELGUARD FRAME
2	1	EAC0100G21A	42" HOOD
3	7	5-03345A	PLASTIC CABLE TIE



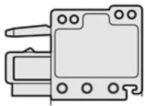
REF#	QTY	PART NUMBER	DESCRIPTION
1	1	EAM0003J69A	CONE (3.42 - 5.25)
2	1	EAM0005D25A	CONE 96-114MM/3.8-4IN
3	1	EAM0005D24A	CONE 71-99MM/2.8-3.9IN
4	1	EAM0005D23A	CONE (1.70 - 3.15)
5	1	EAC0058D07A	CUP-PRESSURE,HAWEKA
6	1	EAC0058D08A	DISK PRESSURE
7	1	EAA0263G79A	QUICK NUT KIT
7A	2	7409019-020	CLAMP JAWS SET
7B	2	1611128	DISC, SPRING
7C	1	ST0027000	COVER
7D	6	ST7417071	SCREW
7E	2	ST0027008	HANDLE
7F	2	ST7205389	SCREW, HANDLE
7G	3	ST0027005	SPACER
7H	1	ST7022499	C - CLIP
8	1	EAM0005D40A	CALIBRATION WEIGHT
9	1	EAM0021D90A	40 MM STUB SHAF
N/S	1	WWPR13A	PLIER WEIGHT SNAPON
11	4	EAM0006G01A	PIN CONE STORAGE
12	4	EAC0060G02A	FLANGE WSHR CONE STORAGE
14	1	EAC0058D15A	RUBBER RING
15	1	EAA0263G79A	QUICK NUT KIT
16	1	EAA0247G21A	CALIPER -RIM WIDTH
17	1	WWPR13A	WEIGHT PLIERS
N/S	1	EAA0263G66A	WING NUT
N/S	1	124-405-006	STEEL WING NUT KIT



EAW0283G51A Balancer Wiring Harness UL



EAW0243J02A Main Switch Inverter



2-30348 Hood Harness Connector



Notice: The information contained in this document is subject to change without notice. Snap-on Equipment makes no warranty with regard to this material. Snap-on Equipment shall not be liable for errors contained herein or for incidental consequential damages in connection with furnishings, performance, or use of this material.

This document contains proprietary information which is protected by copyright and patents. All rights are reserved. No part of this document may be photocopied, reproduced, or translated without prior written consent

Snap-on Tools Company
Kenosha, Wisconsin 53141-1410