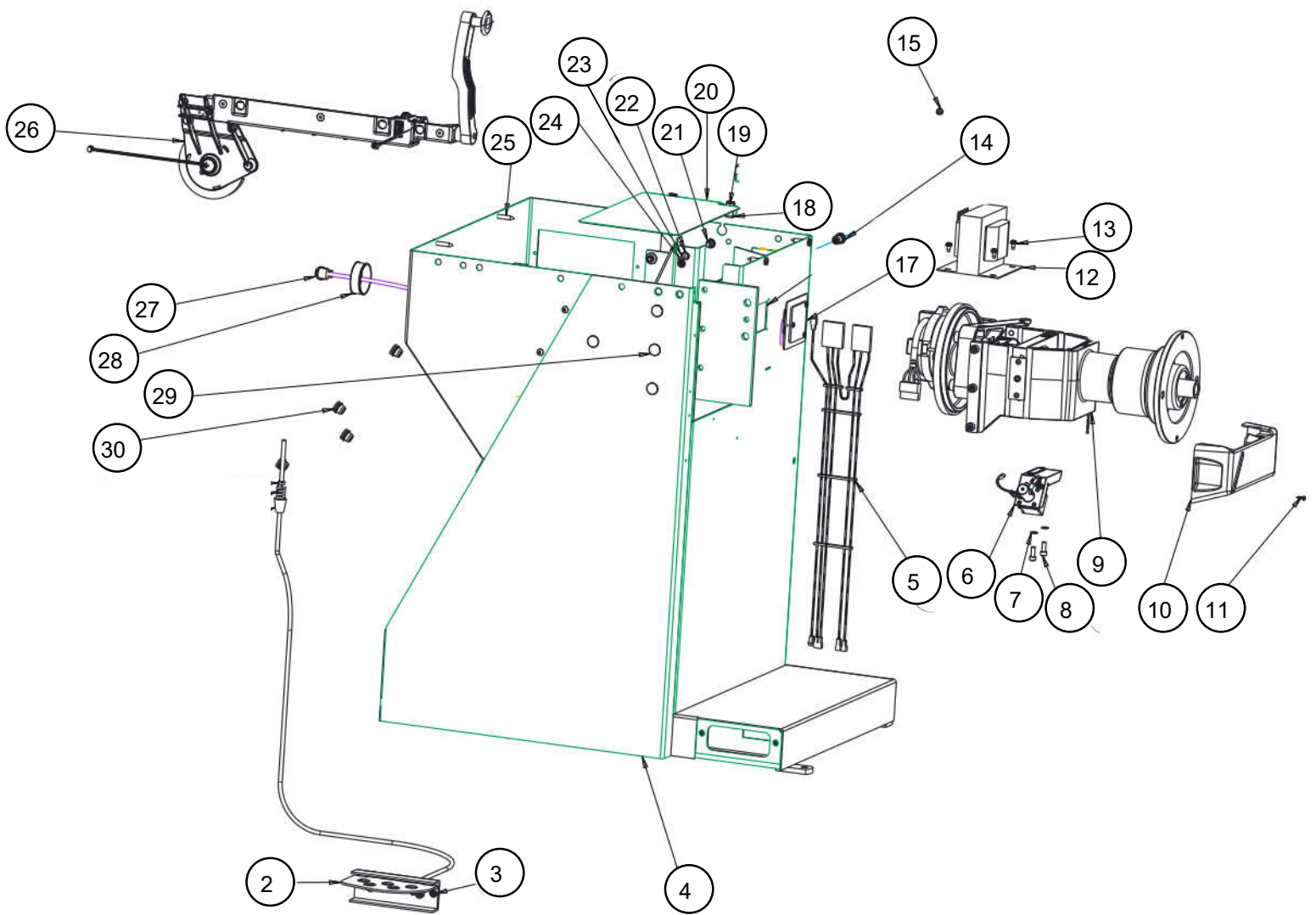
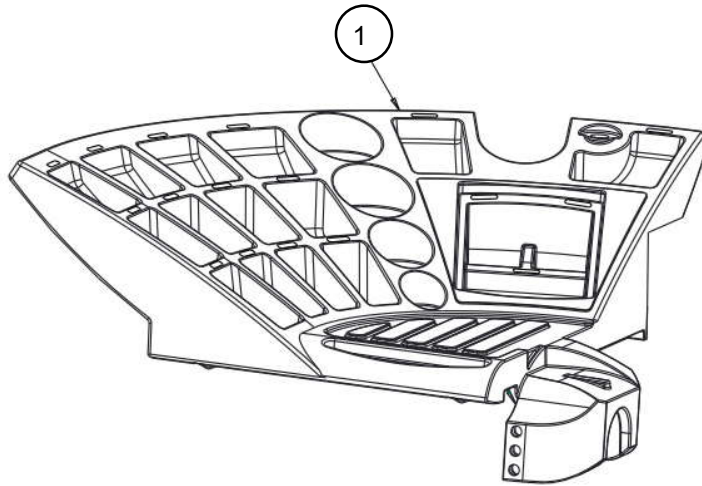


Snap-on

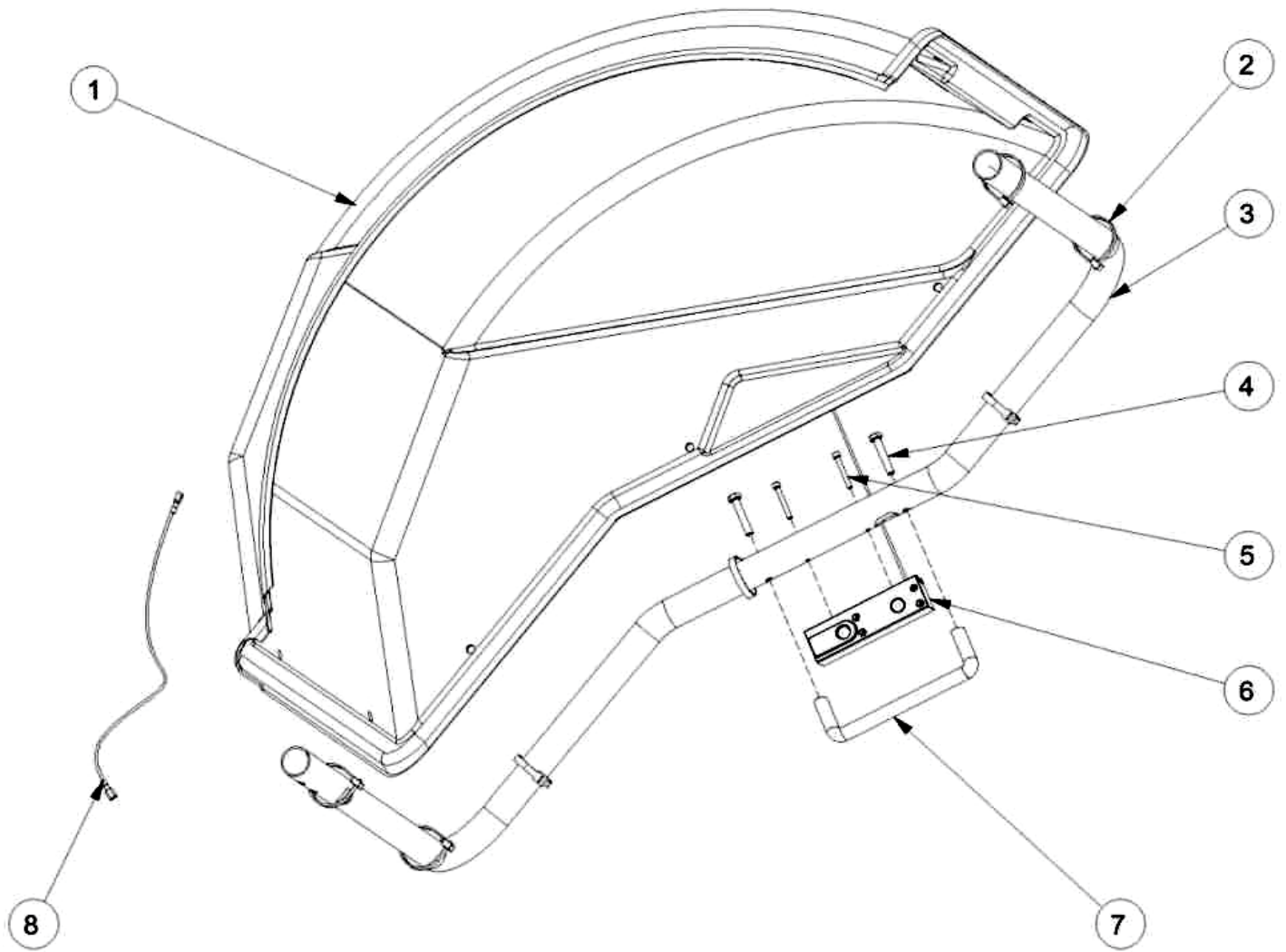


**EEWB334A VIDEO BALANCER
PARTS MANUAL**

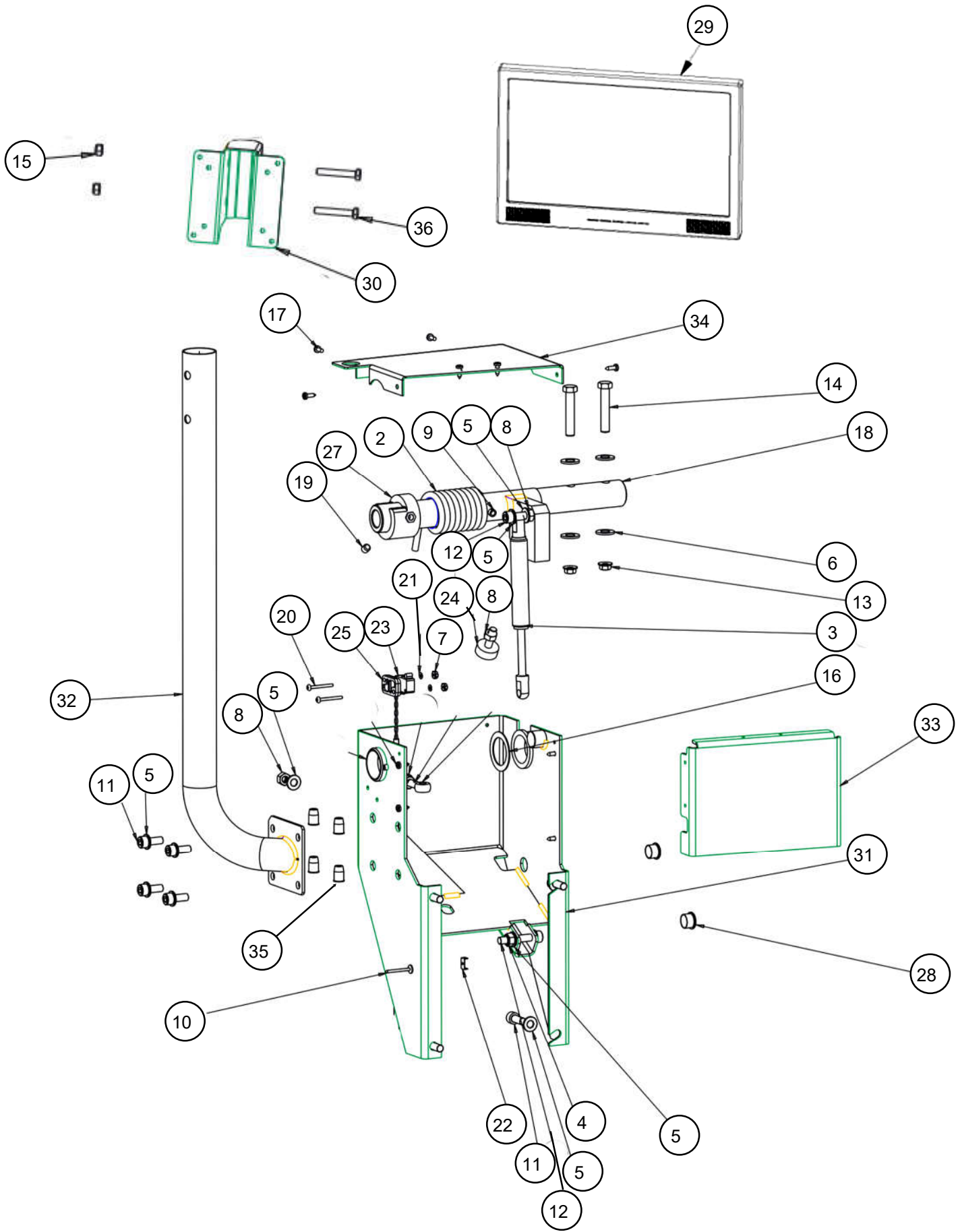
EAA0423J36A	ASSY -EEWB334A
EAK0309J30A	MONT 19IN W/TOUCHSCR UL-KIT
EAA0369J66A	HOOD ASSY-WITH SONAR
EAW0290J26A	POWER CABLE-5 METERS
ZEEWB334A9	LIT PACK-EEWB334
00089209000	CORD-POWER ADAPTER 12
EAC0060G02A	FLANGE WSHR CONE STORAGE
EAM0006G01A	PIN CONE STORAGE
WWPR13A	PLIER WEIGHT SNAPON
EAA0263G79A	QUICK NUT KIT
EAM0005D40A	CALIBRATION WEIGHT
EAK0309J28A	KIT - 4 CONE
EAC0058D68A	SPACER, 29660
EAL0352J19A	DECAL SNAP-ON S WHITE VINYL
EAL0341J63A	LABEL-PATENT
EAL0341J56A	LABEL-LASER
EAL0420J33A	LABEL-CAUTION MAX WHEEL DIA
EAL0341J70A	LABEL-LASER APERTURE
EAL0341J71A	LABEL-CFR CERTIFICATION
EAL0352J20A	DECAL SNAP-ON 9" WHITE VINYL
EAL0341J96A	LABEL-BALANCER WARNING REAR
EAL0341J97A	LABEL-BALANCER WARNING SIDE
EAL0343J76B	SERIAL LABEL DOCUMENT



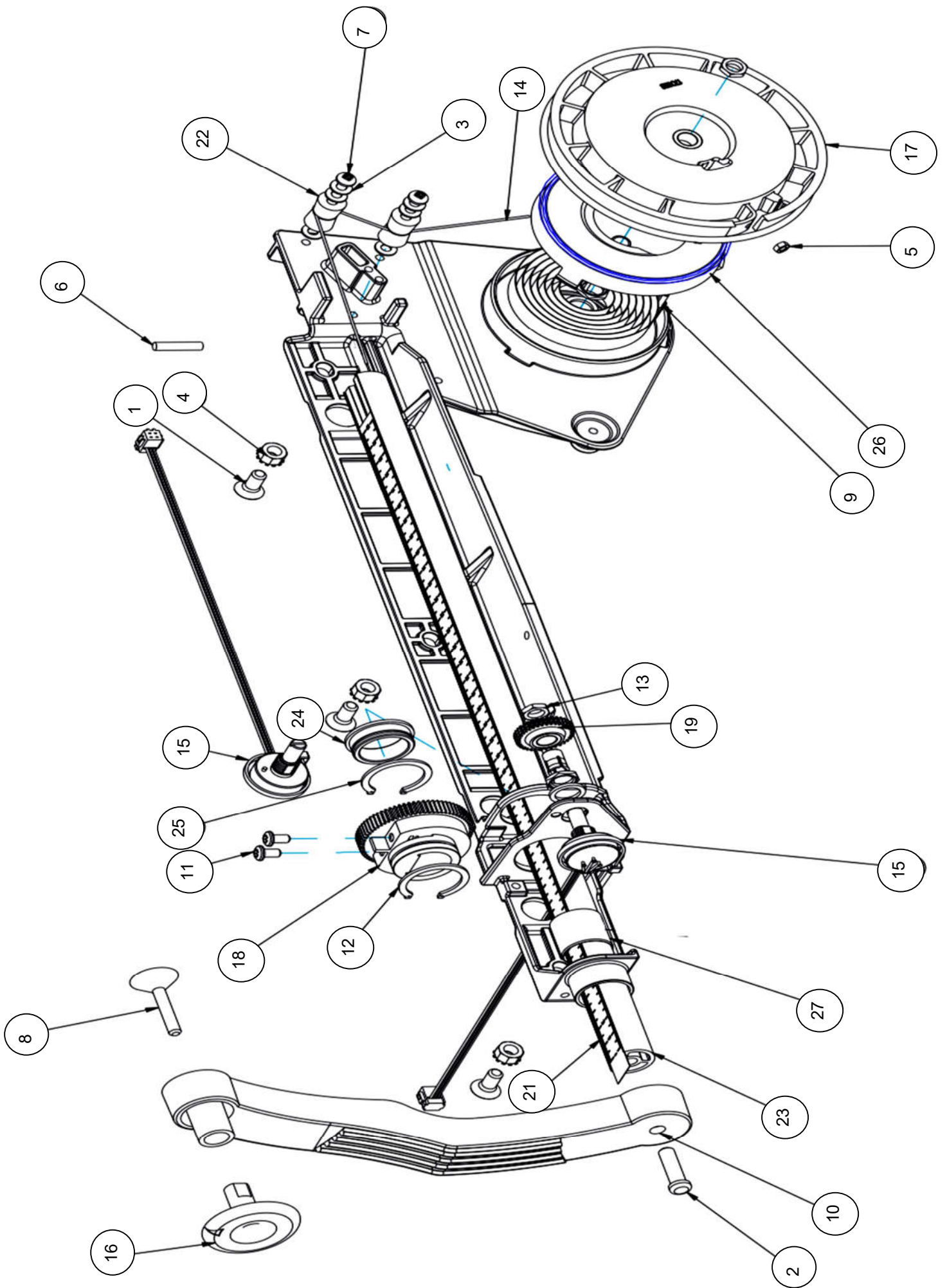
REF#	QTY	PART NUMBER	DESCRIPTION
1	1	EAM0122G76A	MACHINED WEIGHT-TRAY
2	1	EAA0263G07A	ASSY-BRAKE PEDAL
3	2	1-16309	SCREW - SHCS, M6 X 16MM
4	1	EAA0423J45A	BALANCER CABINET MEDIUM RED
5	1	EAW0233J07A	HARNESS-WIRING, TRANSFORMER
6	1	EAA0394G93A	WEIGHT LASER
7	2	1-02443A	WASHER, LOCK-M6
8	4	1-16309	SCREW - SHCS, M6 X 16MM
9	1	EAA0364G85A	ALU VS MOT. INT.FL. D. 28.5/40
10	1	EAC0103G31A	VIBRATORY SYSTEM COVER
11	2	1-22623A	SCR, SHT MET PHIL PHN 3.8MM X 13MM
12	1	7-16201A	TRANSFORMER- 500VA AUTOMATIC
13	4	1-3724	SCREW-SELF TAP,5 X 10MM
14	1	1-27259A	M8 X 1.25 NUTSERT LONG GRIP
15	2	1-3724	SCREW-SELF TAP,5 X 10MM
17	1	EAA0393G87A	LED LAMP
18	2	1-07439A	NUT - SPEED, "U" TYPE,
19	2	1-2509	SCREW-BHCS, 1/4 - 20 X 5/8
20	1	EAS2128J67A	SHIELD - FIRE
21	3	1-18359A	NUTSERT, M8
22	1	1-1548	WASHER-EXT, SHAKEPROOF 6MM
23	1	2-23201	TERMINAL LUG-6.3MM X .8MM POP RIVET
24	1	1-7558	POP RIVET-3/16"
25	4	1-03725A	SCREW-PH SELF TAP M6.3X32 PHIL
26	1	EAA0423J38A	SNAP-ON. M1 SAPE 1D-2D ASSY
27	1	EAW0283G01A	CABLE PUSH BUTTON ASSY
28	1	EAM0093G72A	MACHINED ROUND
29	4	8-7216	PLUG-HOLE, 16MM DIA
30	4	1-17659A	THREADED INSERT M10X22



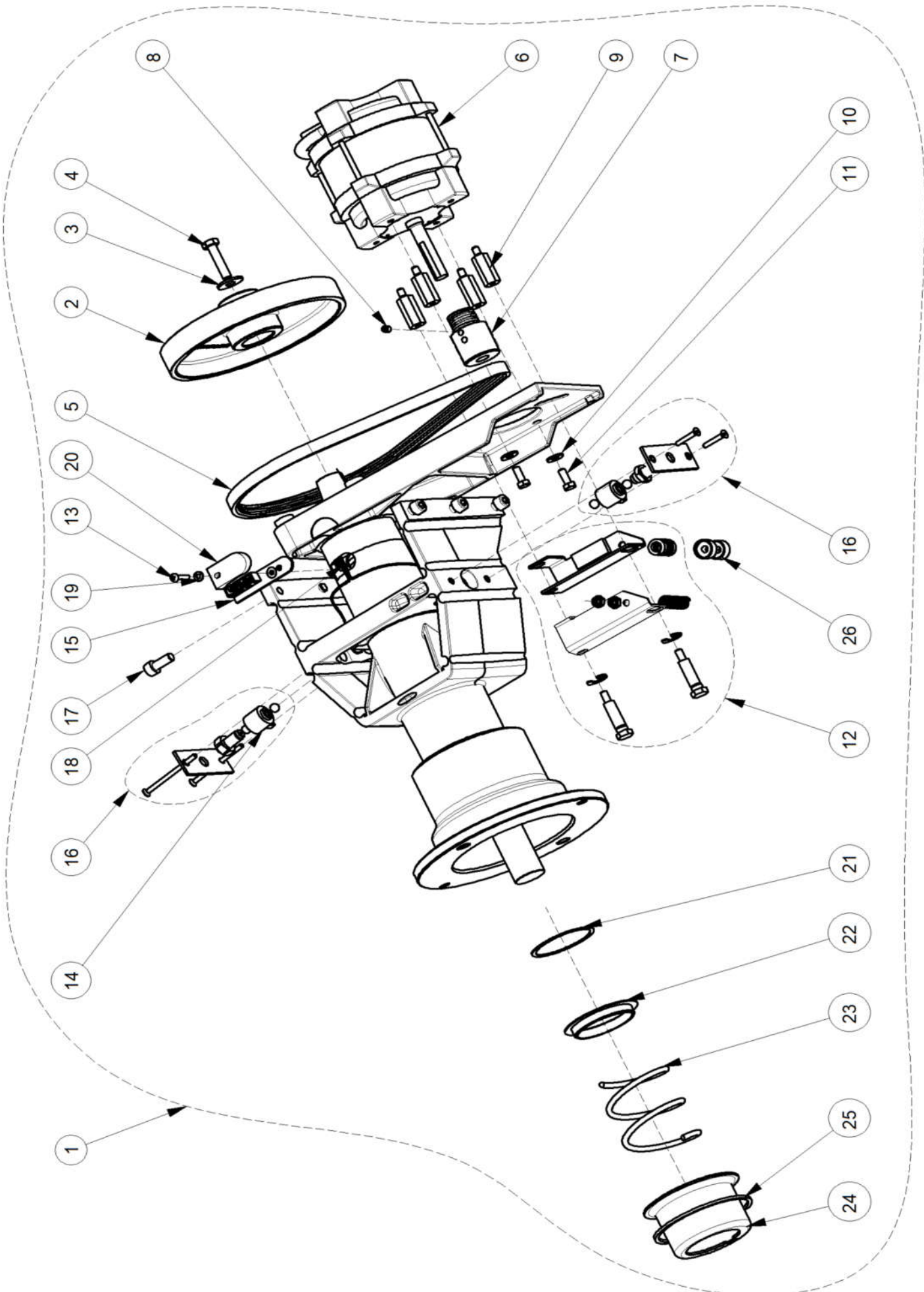
REF#	QTY	PART NUMBER	DESCRIPTION
1	1	EAC0100G21A	WHEEL GUARD 42"
2	7	5-03345A	CABLE TIE
3	1	EAM0076G34A	WHEEL GUARD PIPE
4	2	1-18209	SCREW, HEX M8x45
5	2	1-15509	SCREW M5x40
6	1	EAA0373G96A	QR SONAR BOX ASSY-VIDEO BAL
7	1	8-09233A	PLASTIC HANDLE
8	1	EAW0283G76A	SONAR SENSOR EXTENSION CABLE



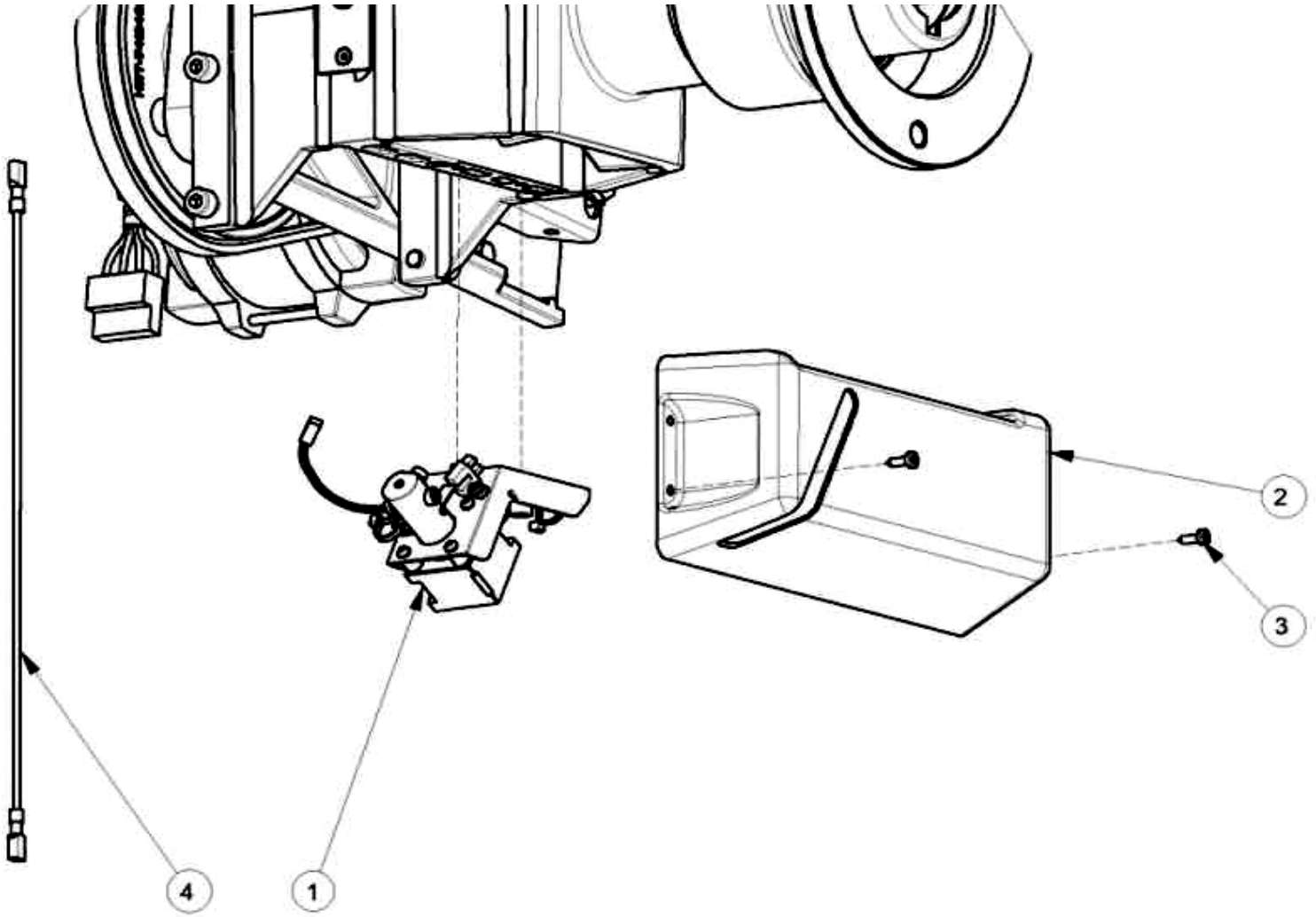
REF#	QTY	PART NUMBER	DESCRIPTION
1	1	1-01530	EYEBOLT-M8 X 50
2	1	1-04267A	SPRING-TORSION
3	1	1-06769A	GAS SPRING
4	1	1-10033	NUT, HEX, M8
5	14	1-10041	WASHER D.8 UNI6592-69/DIN125
6	4	1-10141	WASHER, PLAIN DIN 125A
7	1	1-15033	NUT-KEPS, M3 - .5
8	1	1-15933A	NUT - HEX, M8
9	1	1-12452	PINS - STRAIGHT SLOTTED 8X45 DIN 1481
10	1	1-7558	POP RIVET-3/16"
11	8	1-17709	SCREW - SHCS M8 X 20MM
12	2	1-18209	SHCS-M8 X 45
13	2	2276559	NUT & WASHER ASSY 3/8 - 16
14	1	1-1101	SCREW - HHMS 3/8 - 16 X 2.00
15	2	1-10033	HEX NUT PREVAILING
16	1	1-22441A	SHIM RING 32X45X1
17	1	1-22623A	SELF-TAPPING SCREW TCB
18	10	EAM0084J39A	SHAFT STOP BLOCK
19	1	1-47810	SCREW, SET, FLT PT M8 - 1.25 X 8MM
20	1	1-7104	SCREW - PAN HS, M3 X 30
21	2	1-9541	WASHER-FLAT, M3 DIN 125A
22	2	2-23201	TERMINAL LUG-6.3MM X .8MM POP RIVET
23	1	EAW0233J08A	CABLE-SWITCH ASSY
24	1	8-15218A	BUMPER 40X25 / M8
25	1	EAC0053J16A	MICROSWITCH PLATE
26	1	EAC0058D36A	WHEELGUARD BUSHING D.32
27	2	EAC0058D38A	SCHALTRING SWITCH SEGMENT
28	1	8-7216	PLUG-HOLE, 16MM DIA
29	1	EAK0309J30A	19" LCD TOUCHSCREEN KIT
INCL	1	3-08108A	19" LCD
INCL	4	1-54310A	M4X20 SETSCREWS
INCL	4	1-13533A	M4 NUT
INCL		EAL0452J15A	MASK LABEL
31	1	EAS2128J49A	ASSY BACK PACK
32	1	EAS2128J72A	MOUNT ASSY MONITOR
33	1	EAS2177G41AC	FRONT BACKPACK
34	1	EAS2128J54A	WHEELGUARD SUPPORT
35	4	1-18359A	SELF CLINCHING NUT (M8)
36	2	1-39901A	SCREW - HHMS 8M X 50MM



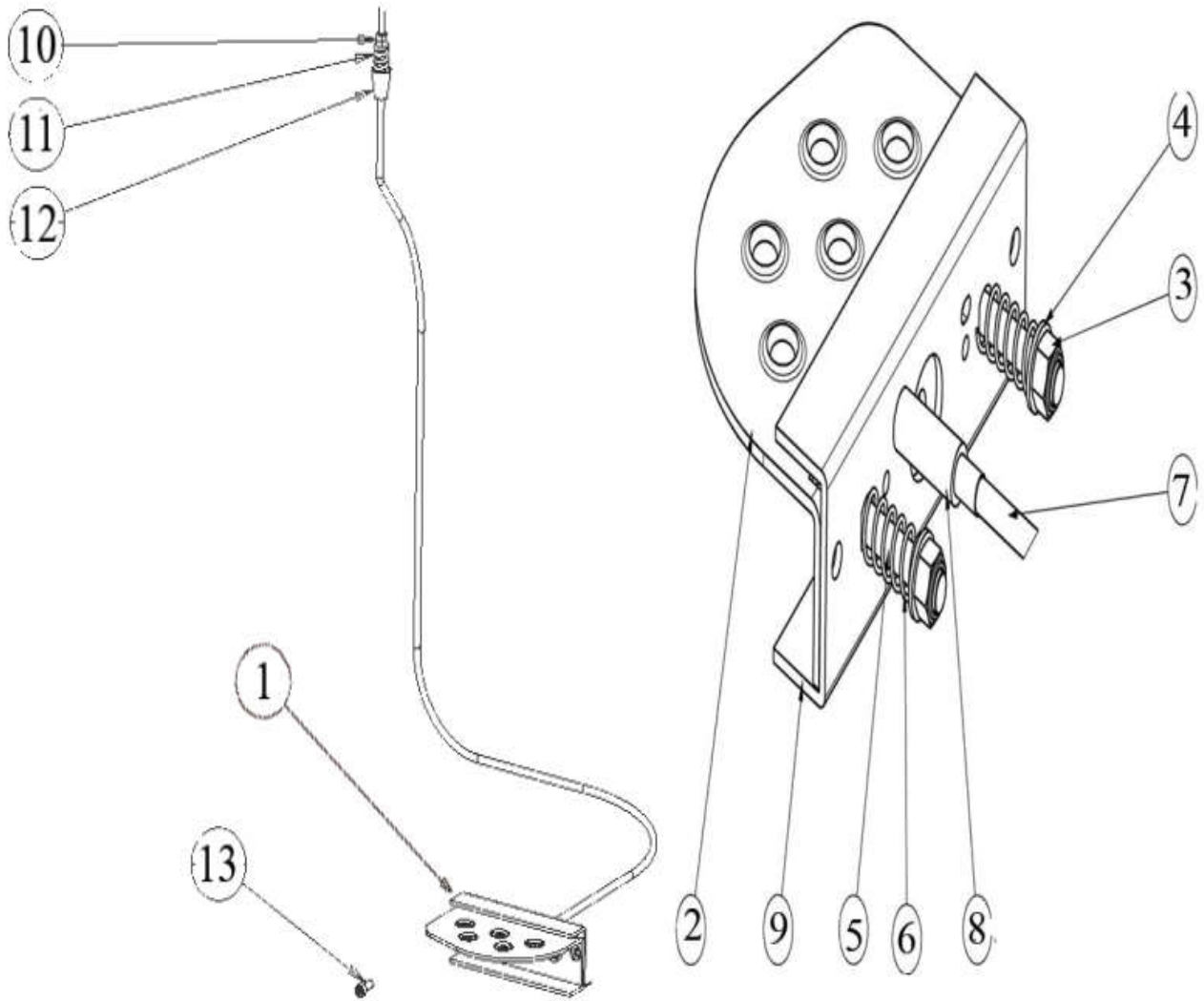
REF#	QTY	PART NUMBER	DESCRIPTION
1	3	1-27903A	SCREW - M6 X 14mm FHMS, SKT DIN 7991
2	1	1-3824	SCREW-SELF TAP,6 X 12MM
3	6	1-9641	PLAIN WASHER D4mm
4	3	1-25433A	NUT-M6 KEPS, SERRATED LW ZINC
5	1	1-11233	NUT - HEX, M3 DIN 934
6	1	1-7810	SCREW SET M4X20
7	2	1-24906A	SCREW-PHMS,M4 X .7MM X 30MM
8	1	1-13924A	SCREW-FHMS,5X35MM SELF TAP
9	1	1-03967A	SPRING-SAPE AUTO STOP SYSTEM
10	1	EAC0054P01A	ARM,AXCEL CALIPER
11	2	1-11726A	SCREW, SELF TAPPING FOR PLASTIC
12	1	1-13377A	CIRCLIP-27mm X 1.20mm DIN 471
13	2	2-07657A	CLAMPING DEVICE W/NUT
14	1	6-00604A	ROPE - SPECTRA 1000, 150 LBS
15	2	EAA0266D20A	ROTATIVE TRANSDUCER 100HM
16	1	EAC0058D11A	DISK-TOUCHING
17	1	EAC0058D06A	REEL - ROPE 290MM
18	1	EAC0058D12A	COG WHEEL - 56 TOOTH
19	1	EAC0058D13A	Cog Wheel 28 teeth
20	1	EAM0085G27A	MACHINED M2 SAPE
21	1	EAL0349G31A	DISTANCE SCALE
22	2	EAM0005D35A	REEL-GUIDING,SAPE
23	1	EAM0053G19A	STANDARD. ROD SAPE, M1
24	1	EAM0068G76A	S2-2D SAPE BUSHING
25	1	1-4577	RING-SNAP,25 X 1.20
26	1	EAC0058D58A	Safety Cover
27	1	1-13865A	BUSHING IGUS



REF#	QTY	PART NUMBER	DESCRIPTION
1	1	EAA0364G85A	ALU VS MOT. INT. FL.D. 40/28,5 POL. UL
2	1	EAM0005D12A	DRIVE PULLEY
3	1	1-17841	WASHER - D. 8X24
4	1	1-32901	HEXAGON HEAD SCREW
5	1	8-3531	BELT
6	1	2-59366A	UL MOTOR INCL. CONNECTOR Y2K
7	1	EAM0005D08A	MOTOR PULLEY
8	1	1-28410	SCREW
9	4	EAM0005D09A	SPACER FOR MOTOR
10	2	1-16641	WASHER PLAIN
11	2	1-46701A	HEX HEAD SCREW
12	1	EAA0332G12A	MAIN SHAFT LOCK ASSEMBLY
	2	EAM0005D10A	BOLT SW13
	2	1-13177	CIRCLIP D. 9
	1	1-6568	COMPRESSION SPRING 1.6 X 10 X 58.5
	1	EAA0260D56A	BRAKE LEVER A CP L (UPPER)
	1	EAA0260D57A	BRAKE LEVER B CPL. (LOWER)
13	1	1-35006A	SCREW
14	1	EAA0260D59A	TRANSDUSER
15	1	EAA0344G00A	ECODER BOARD
16	1	EAA0328G16A	TRANSDUCER FIXING UNIT
	4	8-1144	STEEL BALL 8 M
	2	1-6568	COMPRESSION SPRING 1.6 X 10 X 58.5
	2	EAM0005D07A	SETSCREW HEX SOCKET M10X1X29
	1	1-04634A	NUT HEX LOW M10X1 8-A2J ISO 8675
	2	1-17403	SCREW HEX SOCKET COUNT.H M4X25 8.8-
	2	1-19903A	SCREW HEX SOCKET COUNT.H M4X65 8.8-
	1	1-11833	HEXAGON NUT B M10 X 1 -8-A2J
17	6	1-17709	SCREW TCEI 8X20 8G
18	1	EAW0240G67A	CABLE WITHOUT TEMP. SENSOR
19	1	1-9641	WASHER
20	1	EAC0094G11A	ENCODER BOARD PROTECTION
21	1	1-17641	WASHER 53X60X1
22	1	EAC0058D14A	SPRING CENTERING RING
23	1	1-07768A	COMPRESSION SPRING
24	1	EAS2025D14A	SPRING GUIDE
25	1	1-13077	CIRCLIP SB 92
26	2	EAM0005D18A	SPACER

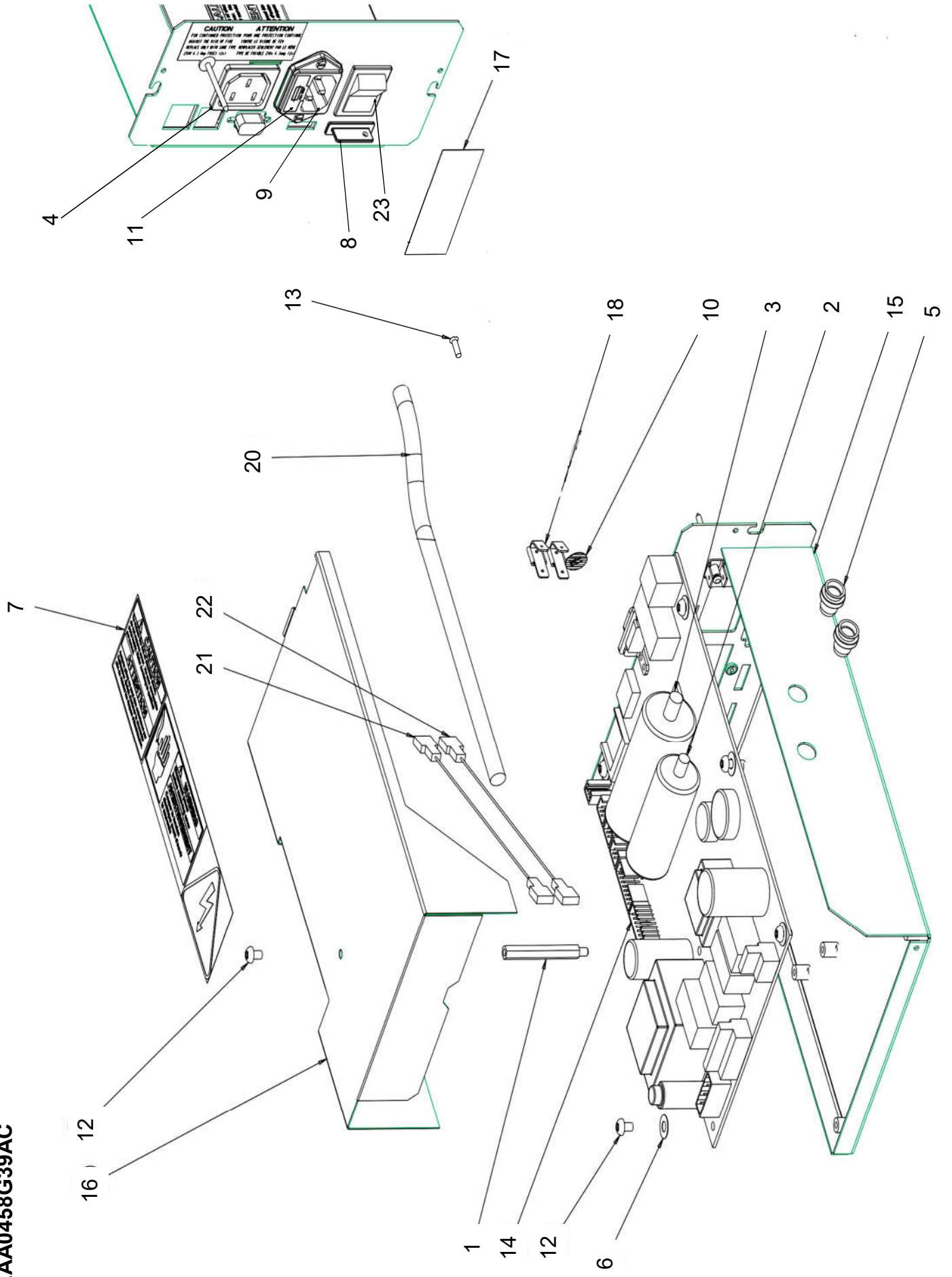


REF#	QTY	PART NUMBER	DESCRIPTION
1	1	EAA0394G93A	LASER POINTER WITH LONG CABLES
2	1	EAC0103G31A	LASER POINTER COVER
3	2	1-22623A	SCREW, PHIL PAN H.TAPP.
4	1	EAW0276G28A	LASER POINTER EXTENSION WIRE
N/S	1	EAW0283G46A	CABLE-LASER POINTER PWR SUPPLY

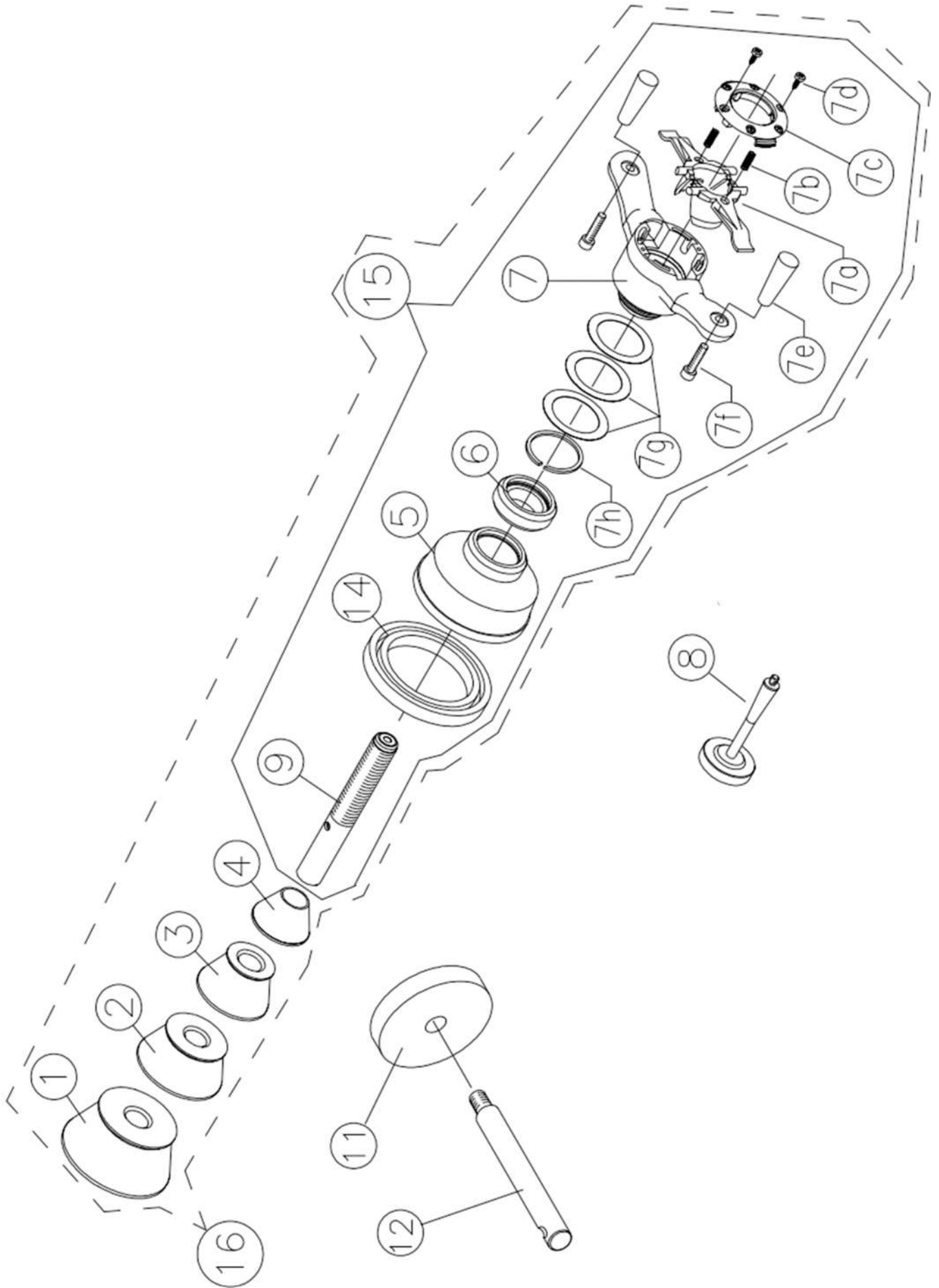


REF#	QTY	PART NUMBER	DESCRIPTION
1	1	EAA0263G07A	BRAKE PEDAL ASSM
2	1	EAS2020P20A	PEDAL-BRAKE JBEG
3	2	1-10033	NUT-ESNA, M8
4	2	1-10041	WASHER-PLAIN, M8
5	2	1-18209	SCREW-SHCS, M8 X 45
6	2	1-06768A	SPRING-COMPRESSION
7	1	EAA0344G15A	CABLE ASSY-BRAKE PEDAL ASSY
8	1	EAM0053G06A	SPACER-BRAKE PEDAL ASSY
9	1	EAS2027G18A	SUPPORT-BRAKE CABLE
10	2	1-11633A	NUT-M6 X 5,2mmTHK, BLK
11	1	1-6668	COMPRESSION SPRING
12	1	EAC0053J15A	BRAKE SPACER
13	4	1-16309	SCREW - SHCS, M6 X 16MM,

EAA0458G39AC



REF	QTY	PARTS NUMBER	DESCRIPTION
1	1	1-16661A	SPACER M4x45
2	1	2-01429A	CAPACITOR - 10uF, 400V
3	1	2-01529A	CAPACITOR - 20uF, 400V
4	1	2-63348A	CONNECTOR AC OUTLET
5	2	1-18359A	THREADED INSERT M8x1,25
6	6	1-5547	WASHER-LOCK, EXT, M4
7	1	EAL0341J98A	LABEL-BALANCER WARNINGS, EBOX
8	1	EAC0087G52A	MEMORY CARD
9	1	2-68948A	POWER ENTRY MODULE
10	1	8-23762A	LABEL - EARTH SYMBOL
11	2	2-21251A	FUSE-TIME DELAY, 250V, 6.3 AMP
12	7	1-19804	SCREW, PHIL PAN HEAD M4x6 *
13	2	1-11103	M3 X 10mm FLAT HEAD SCREW
14	1	EAP0276G80A1	L.E. VIDEO INTEGRATED
15	1	EAA0369J63A	FRAME ASSY FOR L. E. VIDEO IBP
16	1	EAS2128J74A	COVER FOR L.E. VIDEO
17	1	EAL0349G44A	FUSES CAUTION
18	3	2-31001A	TERMINAL - QUICK CONNECT
19	1	EAW0233J06A	CABLE - IEC, JUMPER
20	1	EAW0240G79A	MAIN CORD
21	2	EAW0243P22A	LINK WIRE BROWN
22	2	EAW0243P23A	LINK WIRE BLUE
23	1	2-13258A	MAIN SWITCH



REF#	QTY	PART NUMBER	DESCRIPTION
1	1	EAM0003J69A	CONE (3.42 - 5.25)
2	1	EAM0005D25A	CONE 71-99MM/2.8-3.9IN
3	1	EAM0005D24A	CONE 96-114MM/3.8-4IN
4	1	EAM0005D23A	CONE (1.70 - 3.15)
5	1	EAC0058D07A	CUP-PRESSURE,HAWEKA
6	1	EAC0058D08A	DISK PRESSURE
7	1	EAA0263G66A	QUICK NUT KIT
7A	2	7409019-020	CLAMP JAWS SET
7B	2	1611128	DISC, SPRING
7C	2	ST0027000	COVER
7D	2	ST7417071	SCREW
7E	2	ST0027008	HANDLE
7F	2	ST7205389	SCREW, HANDLE
7G	3	ST0027005	SPACER
7H	1	ST7022499	C - CLIP
78	1	EAM0005D40A	CALIBRATION WEIGHT
79	1	EAM0021D90A	40 MM STUB SHAF
N/S	1	WWPR13A	PLIER WEIGHT SNAPON
14	1	EAC0058D15A	RUBBER RING
15	1	EAA0263G79A	QUICK NUT KIT

