

BFH 1000 / 800

**EEWB519A / EEWB526A
COMPUTER WHEEL BALANCER**



Nothing Compares

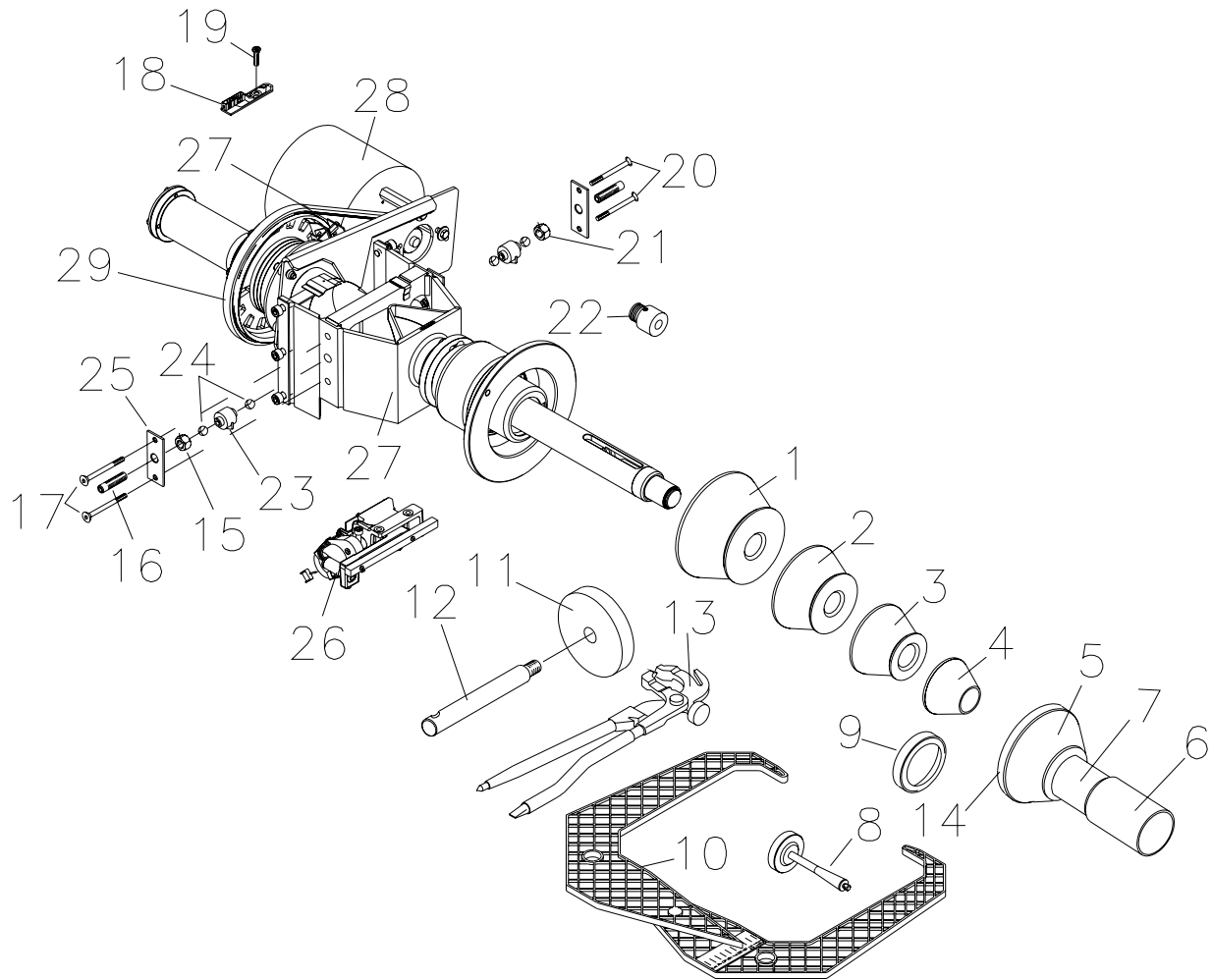
PARTS REFERENCE

All information contained or disclosed in this document is considered confidential and proprietary by Snap-on Tools Company. All manufacturing, use, reproduction, and sales rights are reserved by Snap-on Tools Company and the information contained herein shall not be used in whole or in part without the express written consent of Snap-on Tools Company.

Contents

VIBRATORY AND CONES	2
CABINET AND WEIGHT TRAY ASSEMBLY	4
ELECTRONICS	5
UPPER DISPLAY ASSEMBLY	6
WHEEL GUARD ASSEMBLY	7
REAR SCANNER AND RAIL ASSEMBLY	8

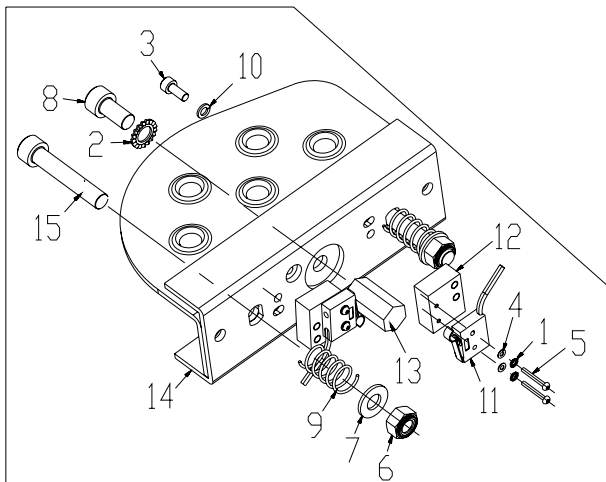
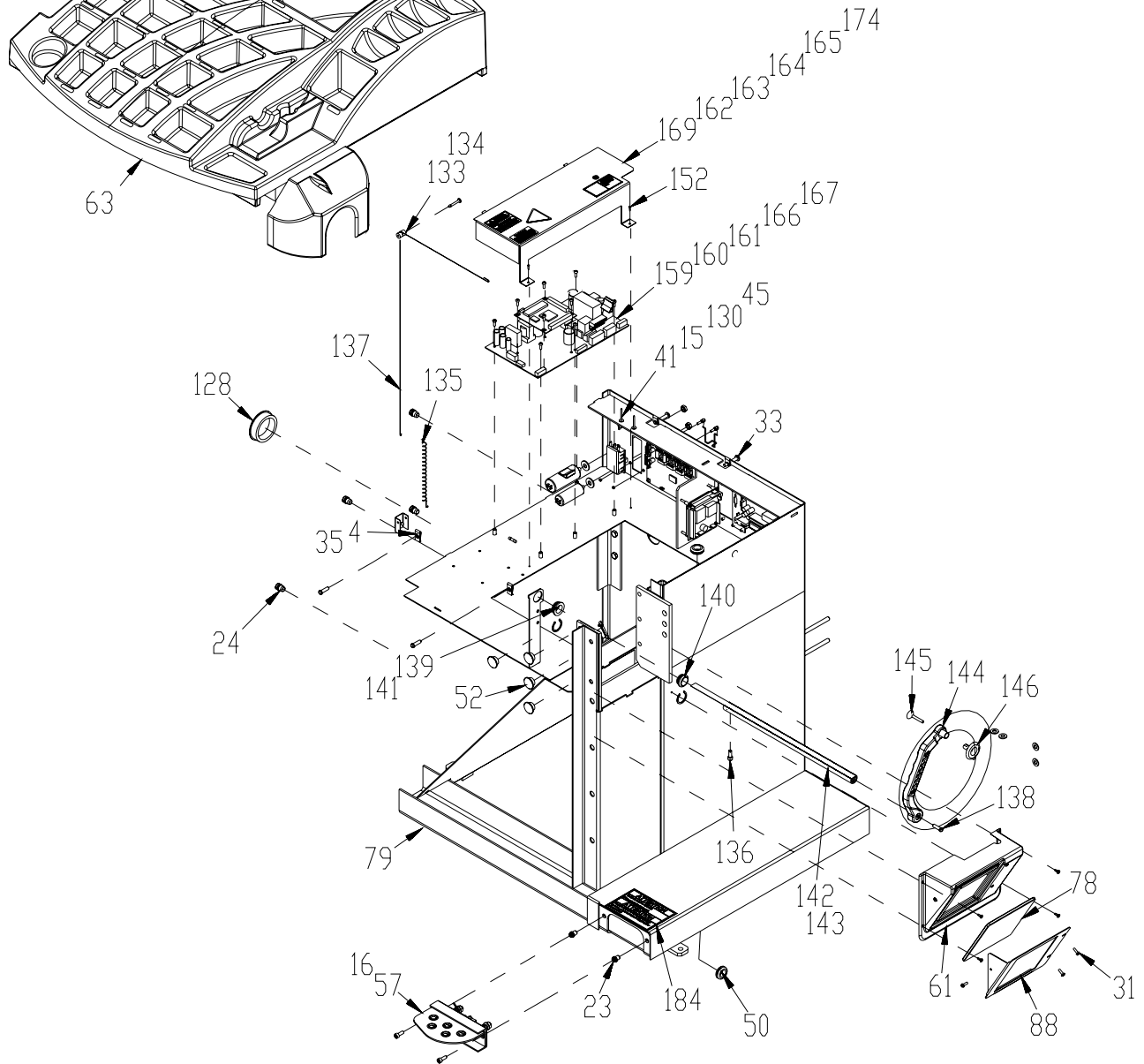
VIBRATORY AND CONES



VIBRATORY AND CONES

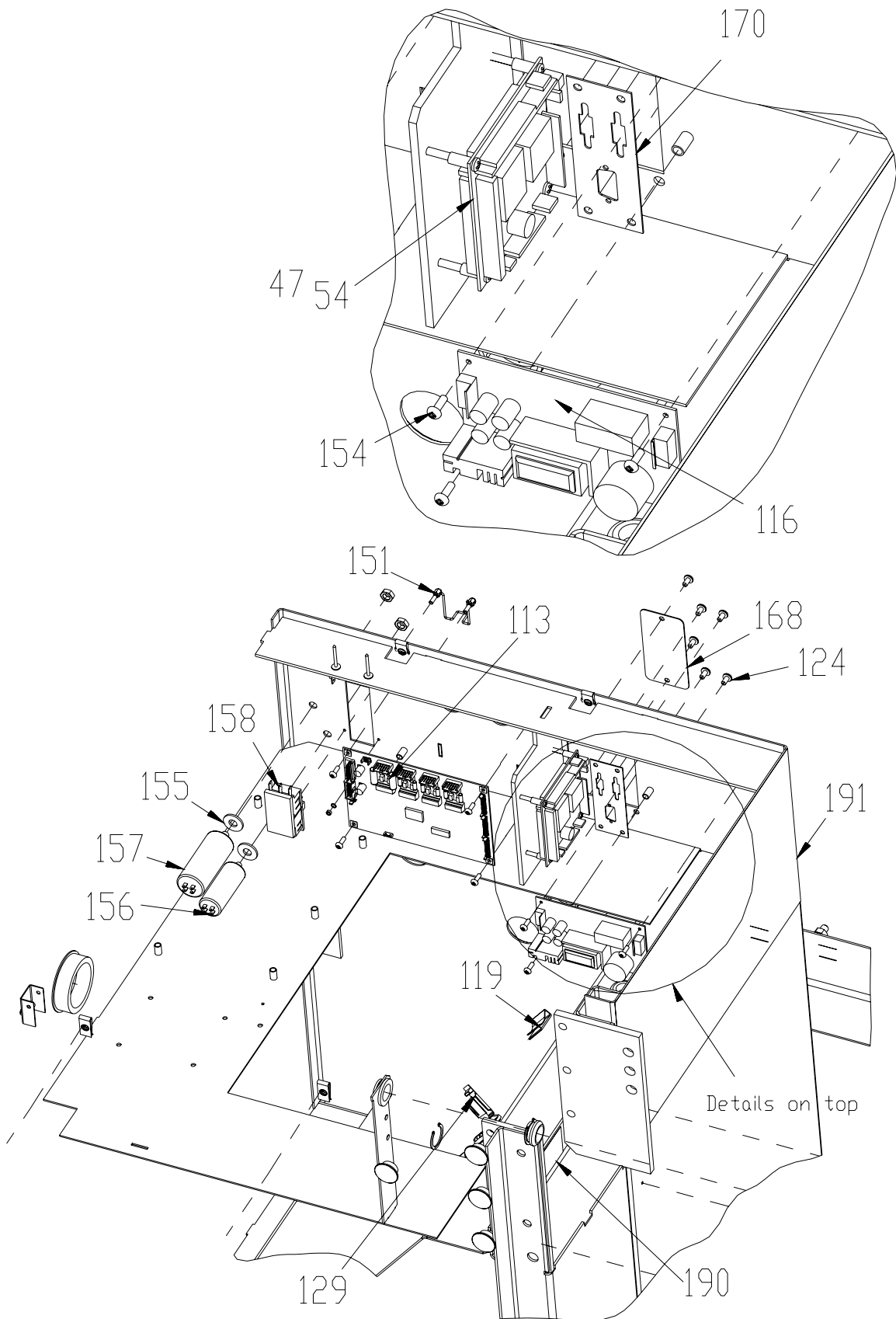
<u>Ref</u>	<u>Qty</u>	<u>Part Number</u>	<u>Description</u>
1	1	EAM0003J08A	Cone-Truck, 29 Deg
2	1	EAM0003J07A	Cone-Large
3	1	EAM0003J06A	Cone-Small
4	1	EAM0003J05A	Cone-Small
		EAA0307G54A	Power Clamp Nut Assembly
5	1	EAC0058D07A	Cup - Large Pressure
6	1	EAM0005D54A	Plastic Sleeve
7	1	EAA0283D53A	Power Clamp Nut
8	1	EAM0005D40A	Calibration Weight
9	1	EAC0058D08A	Small Pressure Disk
10	1	EAA0247G21A	Caliper-Rim Width
11	4	EAC0060G02A	Flange - Cover,Access
12	4	EAM0006G01A	Hook - Accessory Storage
13	1	00058839000	Tool - PDQ Weight
14	1	EAC0058D15A	Rubber Ring
15	1	1-11833	Nut-Hex M 10 X 1 DIN 934
16	2	EAM0005D07A	Setscrew - Hex Socket M 10 X 1
17	2	1-19903A	Screw Hex Socket / Countersunk M 4 X 65
18	1	EAA0260D09A	Encoder PCB
19	1	1-13004	Screw Phillip Pan HD M 4 X 6
20	2	1-17403	Screw Hex Socket / Countersunk M 4 X 25
21	1	1-4034	Nut - Hex M 10 X 1 DIN 439
22	1	EAM0005D08A	Pulley Small
23	1	EAA0260D59A	Transducer
24	4	8-1144	Ball, Steel
25	2	1-2967	Pretension Spring
26	1	EAA0307G13A	Inside Scanner
27	1	EAA0306D97A	Vibrator Ass'y-motorized
*	1	EAP0201D20A	Power Clamp Encoder
28	1	EAA0266D29A	Motor 230V/50-60HZ
29	1	8-3531	Multirib Belt 5 PJ 711 Din 7867
*	1	EAW0239D00A	Ribbon Cable Vibratory

CABINET AND WEIGHT TRAY ASSEMBLY

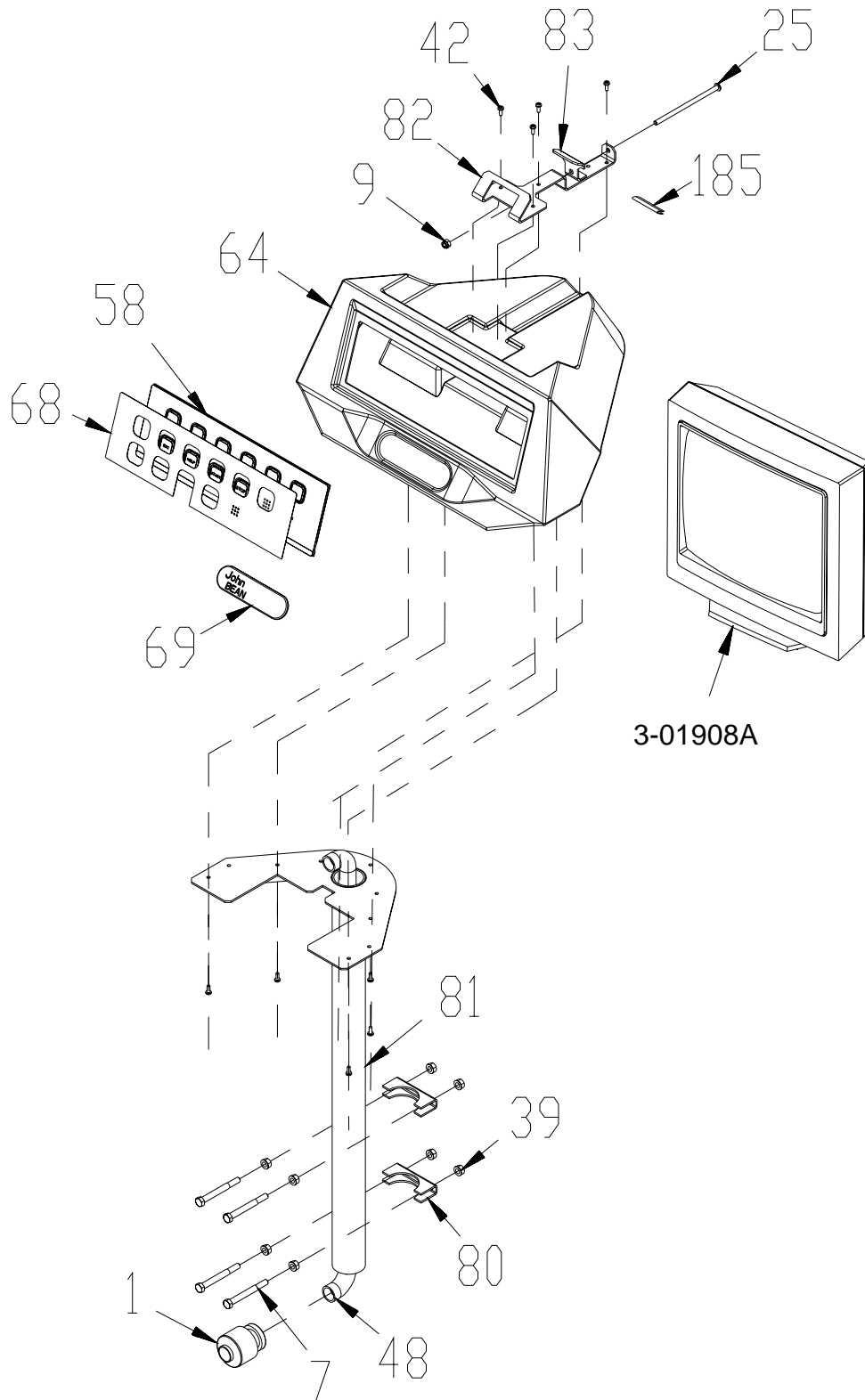


Ref	Part #	Description
1	1-1048	Washer D2
2	1-1748	Washer D8
3	1-4909	Screw M4 X 10
4	1-9341	Washer D2
5	1-9904	Screw Phillips M2 X 16
6	1-10033	Hex Nut
7	1-10041	Washer M8 Din 125 A
8	1-17609	Hex Socket M8 X 16
9	1-06768A	Compression Spring
10	1-25465A	Spring Singlecoil
11	2-07661A	Microswitch
12	EAM0006G10A	Microswitch Support
13	EAM0006G11A	Microswitch Activator
14	EAS2027G18A	Brake Pedal Support
15	1-18209	Hex Socket M8 X 45

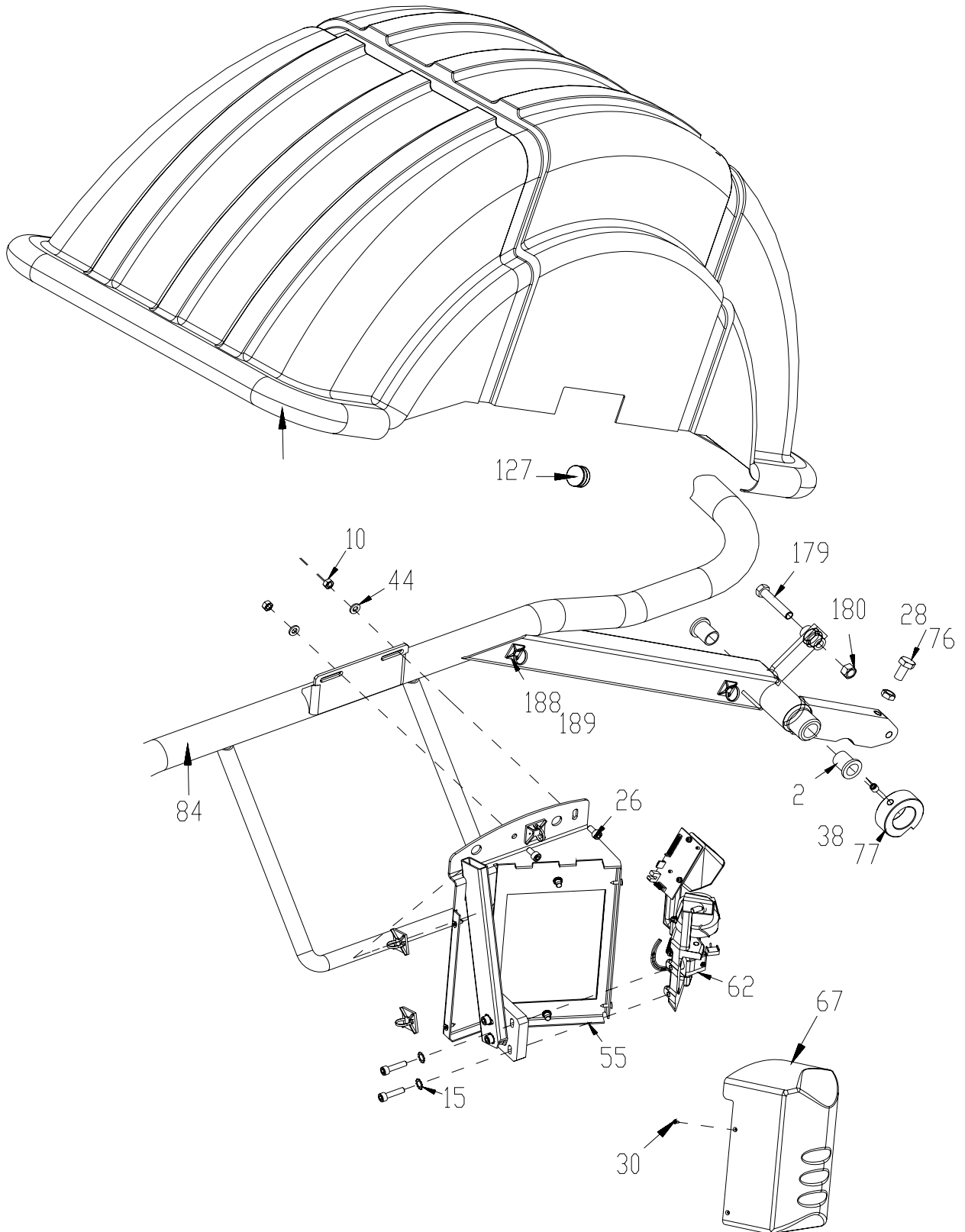
ELECTRONICS



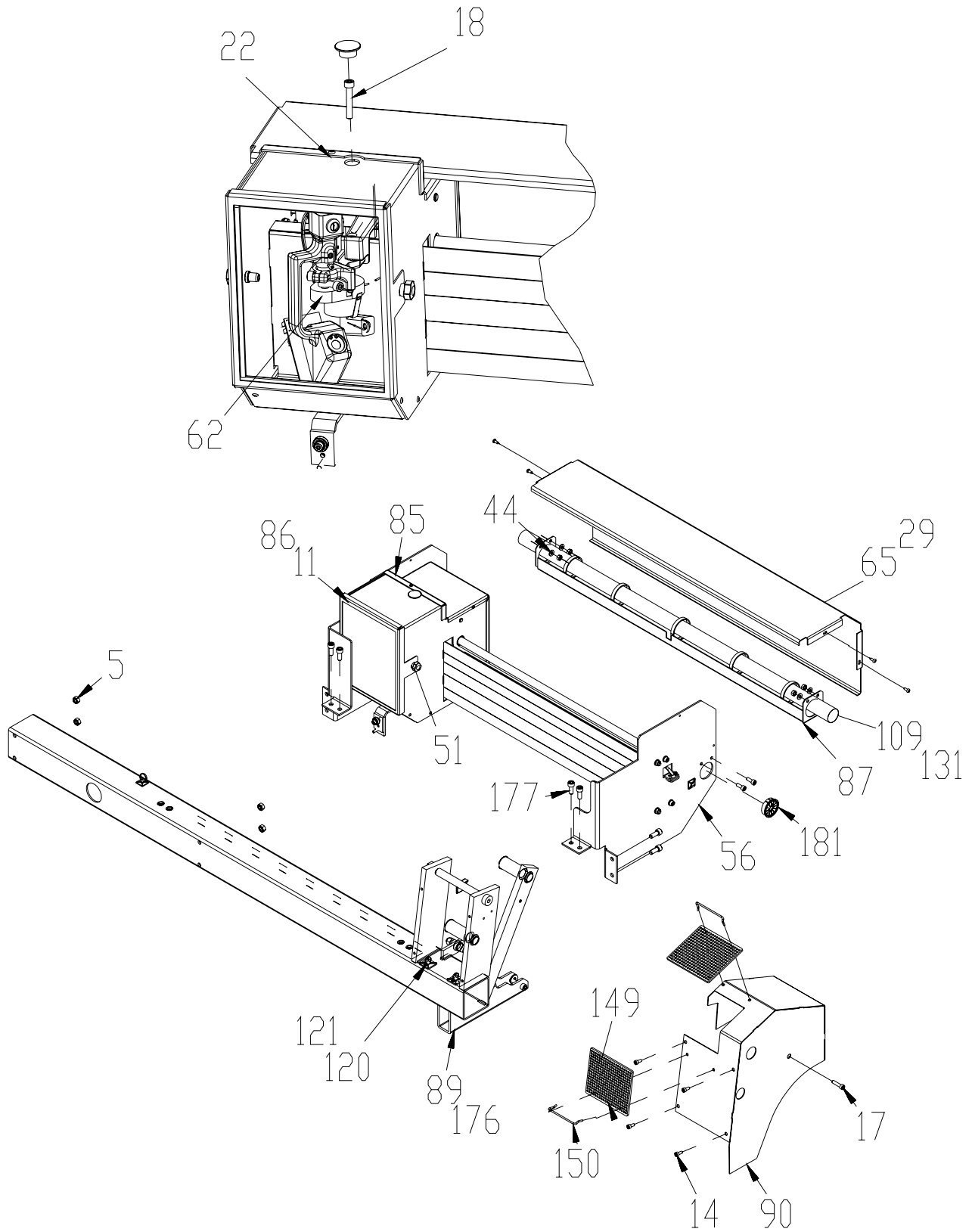
UPPER DISPLAY ASSEMBLY



WHEEL GUARD ASSEMBLY



REAR SCANNER AND RAIL ASSEMBLY



Ref	Qty	Part #	Description
1	1	1-02583A	Connector - Straight, Strn Relief
2	2	1-05163A	Bearing Flg - 5/8 X 1
3	1	1-04769A	Spring - Pneumatic
4	4	1-07439A	Nut - Tinnerman 1/4 - 20
5	5	1-10033	Nut - ESNA, M8
6	10	1-10041	Washer - Plain, M8 Din 125 A
7	4	1-1115	Bolt - Hex, 5/16 - 18x3, Unc 2a, Tap
8	2	1-11233	Nut - Hex, M3, Din 934
9	1	1-1137	Nut - Nylon, 1/4 - 20
10	6	1-11633A	Nut - M6 X 5.2 Blk
11	1	1-11884A	Glass - Rear Scanner
12	2	1-1248	Washer - Lock, Ext M3 X .5 Ext.
14	4	1-14909	Screw - SHCS M5 X 12mm, Zinc
15	5	1-1548	Washer - 6mm Sp - Ext
16	6	1-16309	Screw - SHCS - M6 X 16mm 8.8
17	3	1-16509	Screw - SHCS M6 X 25
18	1	1-16709	Screw - SHCS M6 X 35
20	2	1-16877A	Retaining Ring - M15 X 1.5mm Blk
22	4	1-17223A	Screw - PH Pan Tp M3, 5x 13 Blk
23	2	1-17559A	Nutsert - M - 6
24	4	1-17659A	Nutsert - M10
25	1	1-18302A	Rhms - 1/4 20 X 5 Slotted
26	2	1-16209	Screw - SHCS M6 X 12
28	1	1-5733A	Nut - Jam, 3/8 - 16 Unc - 2b Cad/Zn
29	4	1-20423	Screw - Self Tapping M4.2 X 13mm
30	8	1-21223A	Screw - M3.5 X 13mm, Self Tap
31	3	1-24606A	Screw - PHms, M4 X .7mm X 12mm
32	1	1-30309A	Screw - SHCS M8 X 50, Blk
33	2	1-30706A	Screw - BHMS 1/4 - 20 91255a546
35	2	1-39809A	Screw - BHCS, 1/4 - 20 X 1 Hs
38	1	1-47810	Screw, Set, M8 X 8mm Flat Pt
39	8	1-5433	Nut & L/Washer Assy 5/16 - 18
40	2	1-7104	Screw - Pan Hd, M3x30 Slotted
41	2	1-7558	Rivet - Pop
42	9	1-9323	Screw - #8 X .5 Self Tap
43	4	1-9541	Washer - Flat, M3 Din 125a
44	6	1-9841	Washer - Plain 6mm
45	2	2-23201	Terminal - Lug, Pop Rivet
46	1	2-08861A	Microswitch
47	1	3-45226AD1	Memory Card - Prog. BFH1000
48	4	5-06135A	Tubing - Flexible, 1" Unslit
49	2	8-00921A	Cover - Wheelguard Tube
50	2	8-08516A	Grommet - 5/8x7/8x1/8 9600k37
51	2	8-11330A	Knob - Black M6
52	5	8-7216	Plug - Hole 16mm
54	1	3-01509A	Embedded PC Assy
55	1	EAA0255J81A	Support Assy - Scanner External
56	1	EAA0255J78A	Rear Linear Drive Assy
57	1	EAA0263G35A	Brake - Rounded W/2 Switch
58	1	EAA0283D42A	Keyboard Assy
59	1	EAA0306D97A	Vibratory - BFH1000
60	1	EAA0307G13A	Scanner Assy - Inside
61	1	EAA0307G14A	Housing Assy - Scanner, Inside
62	2	EAA0307G16A	Scanner Assy - External
63	1	EAC0053J02A	Weight Tray - JB VPI Sys III

Ref	Qty	Part #	Description
64	1	EAC0053J19A	Monitor Support - CRT/LCD
65	1	EAS2081J49A	Cover - Rear Device, BFH
67	1	EAC0060G36A	Cover - Laser External
68	1	EAL0341J42A	Decal - JBC Crt Balancer
69	1	EAL0343J00A	Nameplate - JBC, Head
70	2	EAM0006G94A	Spring - Tension
76	1	1-1401	Screw - HHC, 3/8 - 16 X 1
77	1	EAM0006G02A	Wheelguard Tube Ring Nut
78	1	EAM0006G67A	Glass - Bottom Protection
79	1	EAS2081J22A	Cabinet - L1 BFH 1000
80	2	EAS2021J20A	Clamp Tower
81	1	EAS2021J59A	Tower Weldment - Monitor Support
82	1	EAS2021J66A	Base Bracket - Monitor Support
83	1	EAS2021J67A	Adj Bracket - Monitor Support
84	1	EAS2081J48A	Wheelguard Wldmt BFH
85	1	EAS2021J83A	Cover - Rear Scanner
86	1	EAS2021J84A	Cover - Glass, Rear Scanner
87	1	EAS2081J39A	Canel - Support Cable, BFH
88	1	EAS2067G76A	Bracket - Bottom Glass
89	1	EAS2081J45A	Rear Support Wldmt.BFH
90	1	EAS2081J05A	Weldment - Cover, Pivot Guard
94	1	EAW0233J32A	Cable - Serial Interface
97	1	EAW0233J13A	Cable Asm - Motors Inner
98	2	EAW0233J14A	Cable Asm - Motors Rear
99	1	EAW0233J15A	Cable Asm - Motors Outer
100	1	EAW0233J16A	Cable Asm - Encoder
101	1	EAW0233J17A	Cable Asm - Stop
102	1	EAW0233J18A	Cable Asm - Ribbon Dig Display
103	1	EAW0233J19A	Cable Asm - CCD Cam Inner
104	1	EAW0233J20A	Cable Asm - CCD Cam Outer
105	1	EAW0233J21A	Cable Asm - CCD Cam Rear
106	1	EAW0233J22A	Cable Asm - 3 Way Power
107	1	EAW0233J23A	Cable Asm - Hood Switch
108	1	EAW0240G49A	Cable - Power Embedded
109	15	5-12132A	Sleeving - 1.25" Expand 50n476
113	1	EAP0204G50A	PCB - Processor, Camera
115	1	EAW0243P16B	Cable - 6 Way To 6 Way Power
116	1	2-37666A	Power Supply - 10v, 40w
119	12	2-3657	Cable Clamp (Flat Cable)
120	6	5-03945A	Mount - Cable Abm25 - A
121	6	5-05145A	Cable Tie - 11.38" Clear
124	6	1-3724	Screw - M5 X 10, Thread Forming
127	2	1-04076A	Plug - Hole 9283k16
128	1	1-08776A	Plug - Dome 2.5"
129	1	8-09619A	Strain Relief - Flat Cable
130	4	2-31001A	Terminal - Quick Connect
131	5	4500-0029	Tie Cable (Black)
133	1	EAM0005D35A	Reel - Guiding Sape
134	1	8-1940	Pin - Push In, Nylon, .17 X 1.06
135	1	1-03267A	Tension Spring 1d - Sape
136	1	1-13609A	SHCS M4 X 16 Blk
137	2.7	6-00404A	Rope - Hemingway Dyneema, Typ40
138	1	1-3824	Screw - M6 X 12mm Pan Hd
139	1	EAM0005D38A	Bushing - Outside Sape
140	1	EAM0005D39A	Bushing - Inside Sape

Ref	Qty	Part #	Description
141	2	1-13877A	Ring - Snap, .93 X .044
142	1	EAM0005D37A	Rod - M1
143	1	EAL0349G31A	Decal - Distance Scale (Mm)
144	1	EAC0053J03A	Arm - Sape
145	1	1-3624	Screw - 5.0 X 40mm, Self Tap
146	1	EAC0058D11A	Disk Touching
149	2	EAC0060G41A	Guard - Pole Pvc
150	2	EAM0006G49A	Clip - Guard
151	1	10-00199A	Clip - Retainer IEC
152	2	1-03325A	Screw - Pan Hd, M3.9 X 9 Self Tap
154	17	1-13606A	Screw - M4 X 6mm - PHms - Zn
155	2	1-2541	Washer - Flat, 5/16
156	1	2-01429A	Capacitor - 10uf, 400v
157	1	2-01529A	Capacitor - 20uf, 400v
158	1	2-23751A	Power Entry Module
159	1	2-17947A	Socket - Multipole, Wago 733 - 110
160	2	2-21251A	Fuse - 6.3 Amp, 250 Vac
161	1	2-40848A	Connector - 5 Pin Wago 731 - 605
162	1	8-23562A	Label - Warning
163	1	8-23762A	Label - Earth Symbol
164	1	EAL0341J07A	Label - Warning, Disconnect Power
165	1	EAL0349G44A	Decal - Fuses
166	1	EAP0201D00C	PCB - Controller
167	1	EAP0201D10A	PCB Assy - Power Interface
168	1	EAS2081J36A	Plate - Access Pc BFH
169	1	EAS2081J37A	Cover - Elect BFH1000
170	1	EAS2081J42A	Plate - Cable Mt Printer
171	1	EAW0233J05A	Cable - IEC Module, Pwr, Interface
172	1	EAW0233J06A	Cable - IEC, Jumper
174	1	00111245000	Label - Caution, Elect
175	1	1-03311A	Screw - 5/8 X 5.5 Shld Sckt
176	8	1-18359A	Nutsert - M8 X 1.25
177	8	1-17709	Bolt - M8 X 1.29 X 20mm
179	2	1-1101	Screw - HHCS, 3/8 - 16 X 2
180	2	01120240000	Nut - Stop, 3/8 - 16 Hex Unc Zn
181	3	8-10216A	Bushing - 1.5" Heyco 2213
182	1	1-49801A	Screw - HHC 5/16 - 18x1 1/2, Gr8
183	4	01107383000	Washer - Flat, 3/8
184	1	EAL0341J36A	Label - Attention - Brake Pedal
185	0.188	00063096001	Trim - Flexible
186	1	1-1337	Nut - Lock, Nylon Insert 5/16 - 18
187	1	1-933	Nut - Hex, 1/2 - 13 Unc - 2b Cad/Zn
188	4	5-06945A	Mount - Cable Tie, Black
189	4	5-2345	Tie - Cable 4" Black

Snap-on ***Equipment***

Notice: The information contained in this document is subject to change without notice. **Snap-on Equipment** makes no warranty with regard to this material. **Snap-on Equipment** shall not be liable for errors contained herein or for incidental consequential damages in connection with furnishings, performance, or use of this material.

This document contains proprietary information which is protected by copyright and patents. All rights are reserved. No part of this document may be photocopied, reproduced, or translated without prior written consent of **Snap-on Equipment**.