

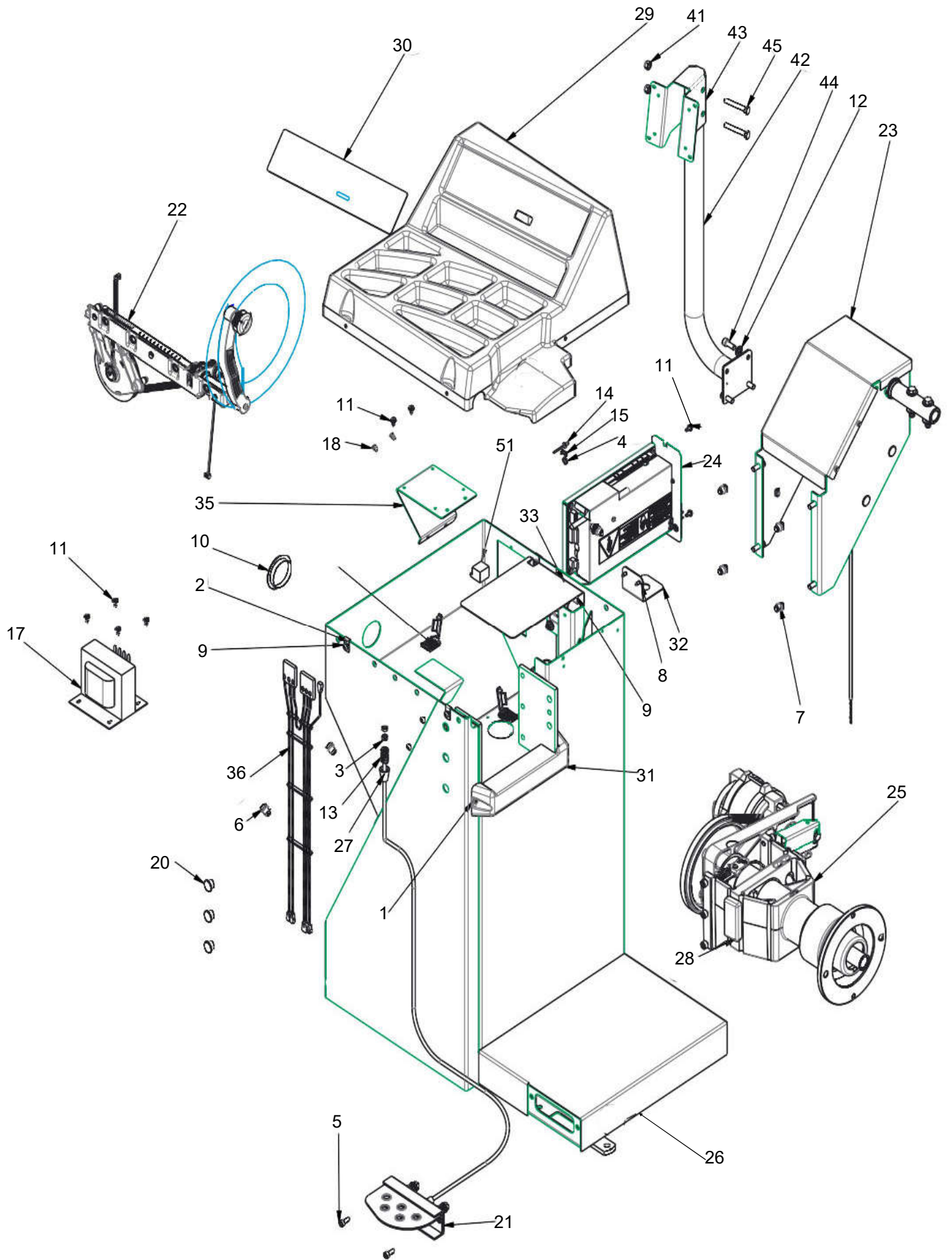
JohnBean™

B200S SEMI-AUTOMATIC MONITOR WHEEL BALANCER



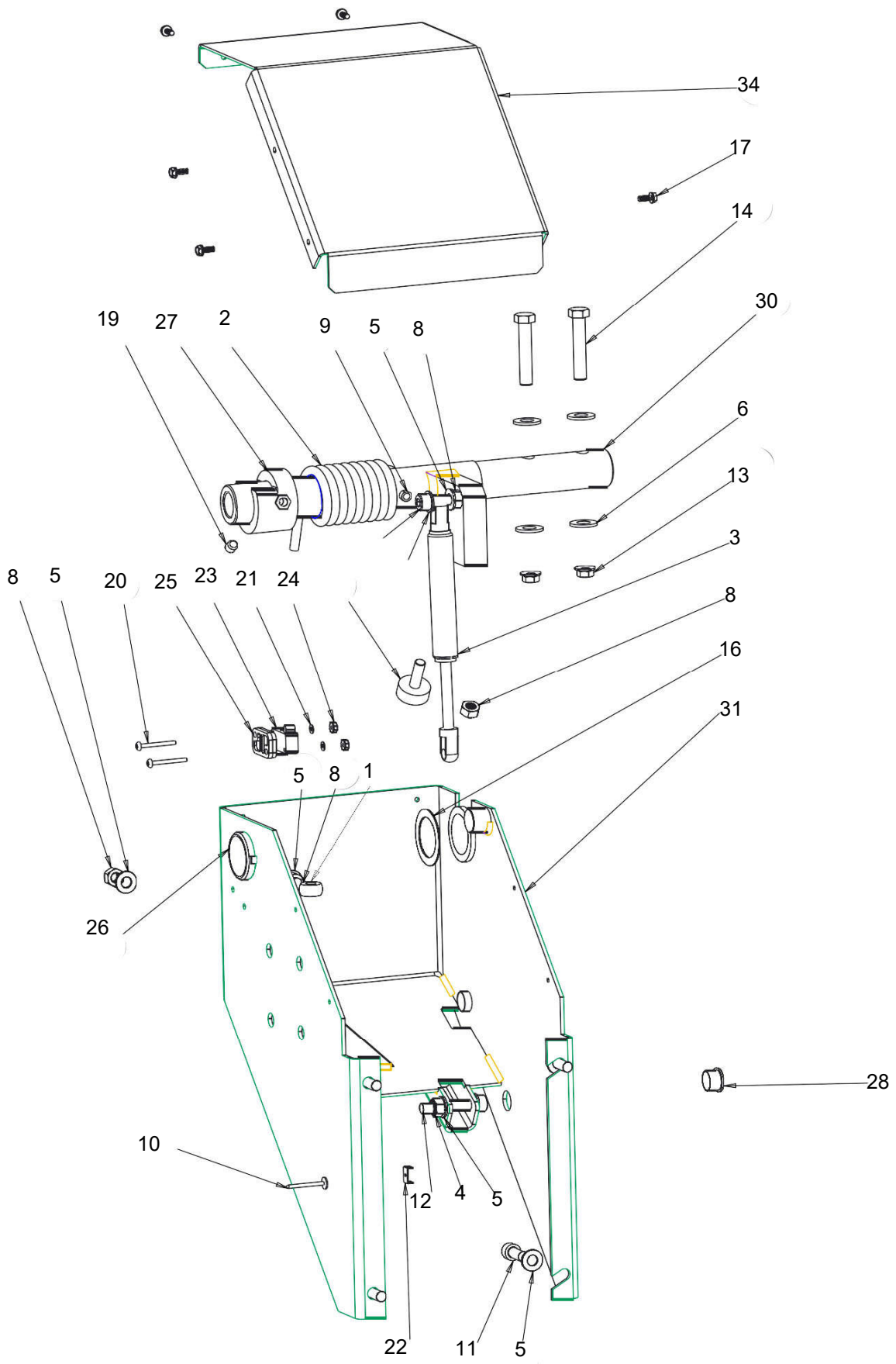
EEWB556AS

PART NUMBER	DESCRIPTION
EAA0369J46A	BAL ASSY-EEWB556A VIDEO JB 115
EAA0263G79A	QUICK NUT KIT
EAC0060G02A	FLANGE WSHR CONE STORAGE
EAL0343J76B	SERIAL LABEL DOCUMENT
EAL0341J96A	LABEL-BALANCER WARNING REAR
EAL0341J97A	LABEL-BALANCER WARNING SIDE
EAL0341J63A	LABEL-PATENT
EAL0420J33A	LABEL-CAUTION MAX WHEEL DIA
EAM0005D40A	CALIBRATION WEIGHT
EAM0006G01A	PIN CONE STORAGE
EAW0290J26A	POWER CABLE-5 METERS
ZEEWB556A9	LIT PACK-JB EEWB556A VIDEO BAL
89209000	CORD-POWER ADAPTER 12
EAC0105J41A	NAMEPLATE-JOHN BEAN TM
58839000	TOOL-PDQ WEIGHT PASS CAR
EAL0420J39A	MODEL DECAL B200S
5-07145A	CABLE TIE-11 BLK
EAK0309J26A	MONITOR KIT-VIDEO BAL
EAA0369J66A	HOOD ASSY-WITH SONAR
EAC0058D68A	SPACER, 29660
1-04076A	PLUG-HOLE 9283K16
641765	CABLE CLAMP (FLAT CABLE)
EAL0392J89A	LABEL-CUST SVC JBC
EAK0309J28A	KIT - 4 CONE

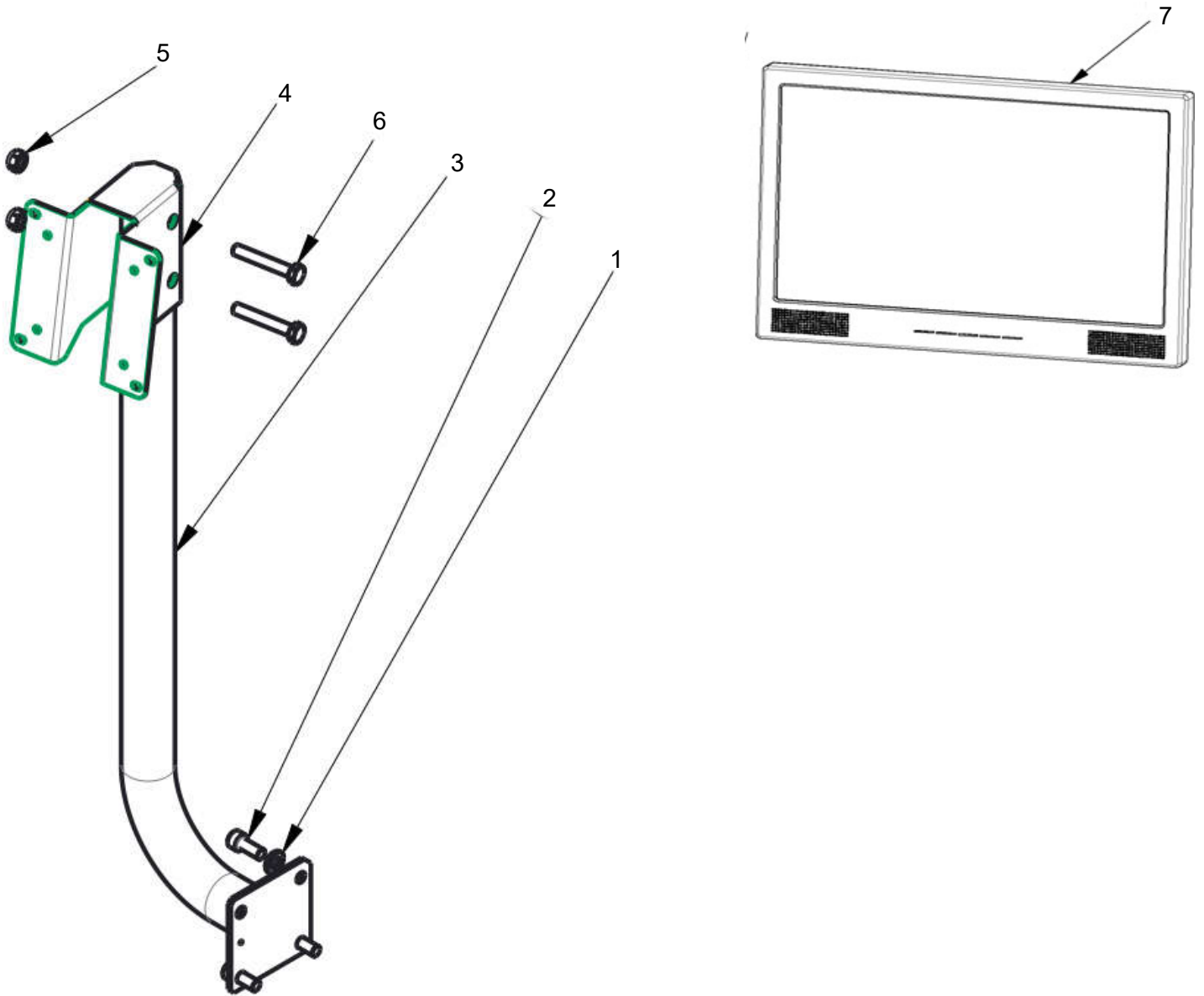


REF#	PART NUMBER	QTY	DESCRIPTION
1	1-07424A	3	SCREW - PAN HD, 8-18 X 1/2
2	1-07439A	5	NUT - SPEED, "U" TYPE,
3	1-11633	2	NUT-M6 X 5,2mmTHK, BLK
4	1-1548	1	WASHER-EXT,SHAKEPROOF 6MM
5	1-16309	2	SCREW - SHCS, M6 X 16mm,
6	1-17659A	4	NUTSERT - M10
7	1-18359A	8	NUTSERT, M8
8	1-18523A1	2	SELF TAPPING SCREW D4,8x13mm
9	1-2509	5	SCREW-BHCS, 1/4 - 20 X 5/8
10	1-2676	1	PLUG-HOLE, 2"DIA
11	1-3724	8	SCREW-SELF TAP,5 X 10MM
12	1-10041	4	WASHER D.8 UNI6592-69/DIN125
13	1-6668	1	COMPRESSION SPRING
14	1-7558	1	POP RIVET-3/16"
15	2-23201	1	TERMINAL LUG-6.3MM X .8MM POP RIVET
16	2-15457A	3	CABLE CLAMP- FLAT CABLE
17	7-16201A	1	TRANSFORMER- 500VA AUTOMATIC
18	8-02340A	2	CLIP KEYHOLE NYLON
19	5-09345A	3	STRAIN RELIEF - FLAT CABLE
20	8-7216	3	PLUG-HOLE, 16MM DIA
21	EAA0263G07A	1	ASSY-BRAKE PEDAL
22	EAA0471G16A	1	STAND. SAPE 1D-2D ASSY
23	EAA0369J53A	1	WHEEL GUARD SUPPORT
24	EAA0481G50AC	1	ASSY BOX INTEGRATED
25	EAA0364G85A	1	ALU VS MOT. INT.FL. D. 28.5/40
26	EAA0423J53A	1	CABINET ASSY - S2, RED
27	EAC0053J15A	1	BRAKE SPACER
28	EAC0060G08A	2	PROTECTION FOR PIEZO-SPRING

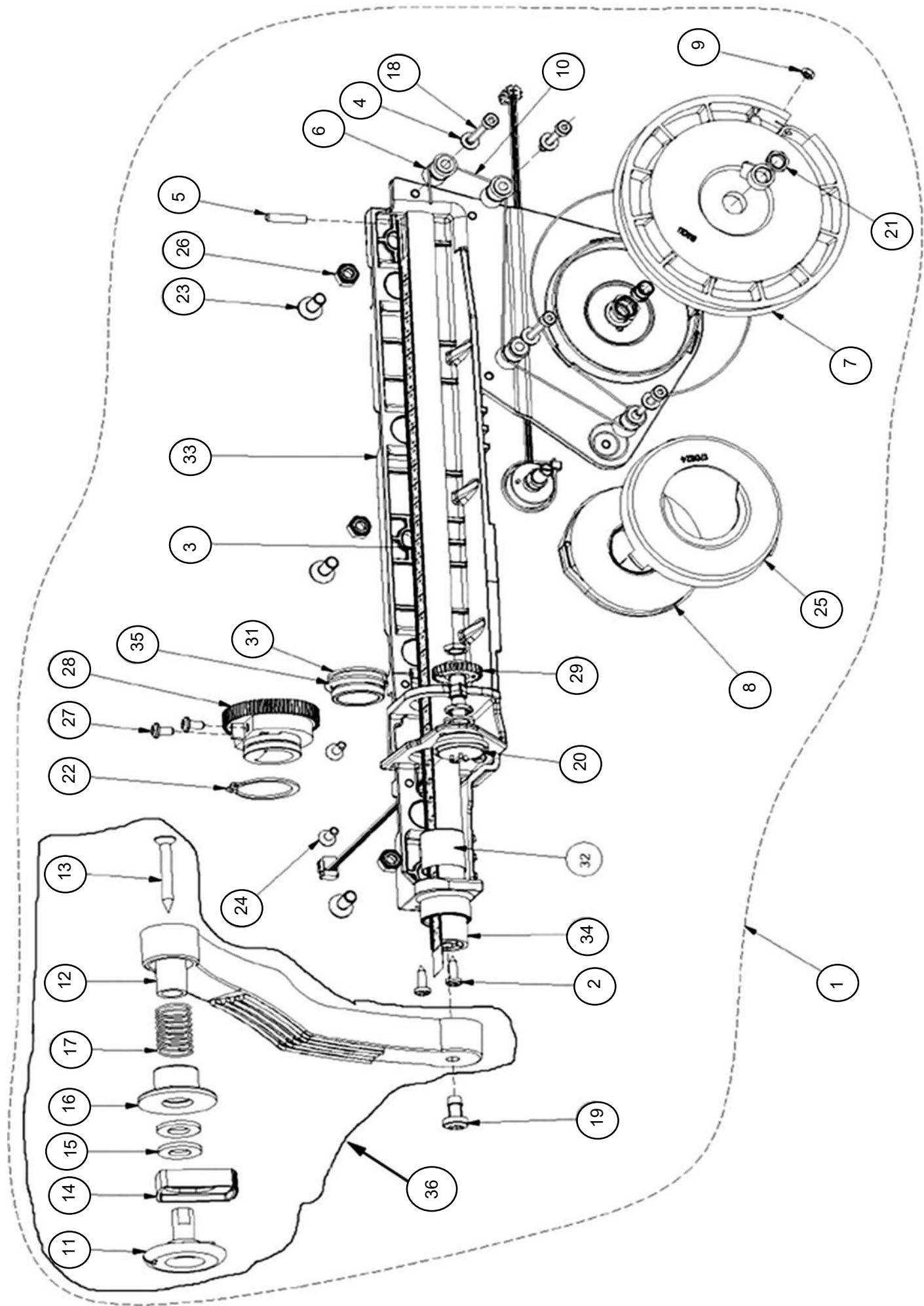
REF#	PART NUMBER	QTY	DESCRIPTION
29	EAC0100G59A	1	L.E. VIDEO WEIGHT TRAY
30	EAL0442G21A	1	VIDEO NO BRAND FLAT
31	EAM0062G50A	1	VIBRATORY SYSTEM COVER
32	EAS2113J77A	1	BRACKET - CAL WEIGHT
33	EAS2113J78A	1	SHIELD - FIRE
34	EAS2116G12A	4	SPACER - VIB 0.2MM
35	EAS2118J60A	1	PLATE-TRANSFORMER, S2 CABINET
36	EAW0233J07A	1	HARNESS-WIRING, TRANSFORMER
37	EAA0440G00A	1	SONAR ASSY
38	EAW0283G76A	1	SONAR SENSOR CABLE
39	2-30348	1	CONNECTOR-MALE
40	EAW0239D07A	1	GROUND WIRE
41	1-10033	2	HEX NUT PREVAILING
42	EAS2128J52A	1	ASSY MONITOR
43	EAS2128J53A	1	MONITOR VESA MOUNT
44	1-17709	4	SCREW - SHCS M8 X 20mm
45	1-39901A	2	SCREW - HHMS 8M X 50mm
46	5-06345A	2	PANEL FIXING TIES 4.8X130MM
47	5-09145A	3	PUSH RIVET , NATURAL NYLON
48	5-09245A	1	CABLE TIE HOLDER FTH-34, SCREW MOUNT
49	5-09445A	1	SELF ADHESIVE CABLE TIE MOUNT
50	5-845	3	TIE - CABLE
51	2-17947A	1	SOCKET-MULTIPOLE, WAGO



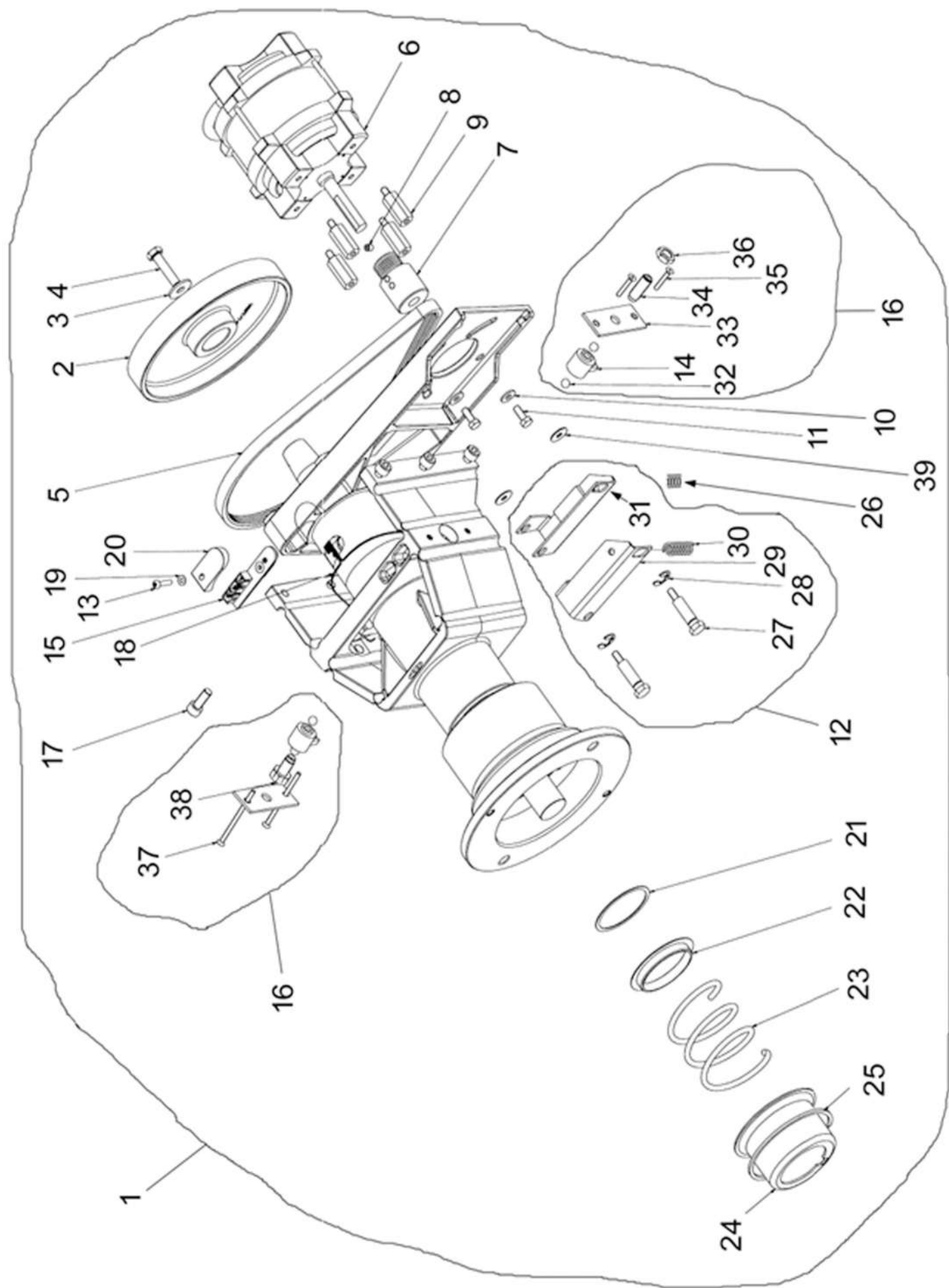
REF#	PART NUMBER	QTY	DESCRIPTION
1	1-01530	1	EYEBOLT-M8 X 50
2	1-04267A	1	SPRING-TORSION (1614017)
3	1-06769A	1	QR GAS SPRING COMPRESSION
4	1-10033	1	NUT-ESNA M8
5	1-10041	2	WASHER, PLAIN M8
6	1-10141	4	+WASHER-PLAIN DIN 125A
7	1-15033	2	NUT-KEPS M3-.5
8	1-15933A	1	NUT-HEX 8M-1.25
9	1-12452	1	PIN-M8 X 45
10	1-7558	1	++RIVET
11	1-17709	4	BOLT-M8 X 1.29 X 20MM
12	1-18209	1	SHCS-M8 X 45
13	1-8133	2	NUT-KEPS 3/8-16
14	1-1101	2	SCREW HHCS 3/8 16 X 2
16	1-22441A	1	SHIM RING- 32 X 45 X 1
17	1-12624A	6	SCREW-HEX HD M4X.39 THRD FORMI
18	1-07776A	1	PLUG-7/16 DIA HOLE 85985K15
19	1-47810	1	SCREW SET M8 X 8MM FLAT PT
20	1-7104	2	SCREW-PAN HD M3X30 SLOTTED
21	1-9541	2	WASHER-FLAT M3 DIN 125A
22	2-23201	1	TERMINAL-LUG POP RIVET
23	EAW0233J08A	1	CABLE-SWITCH ASSEMBLY
24	8-15218A	1	BUMPER M8X40 NEOPRENE
25	EAC0053J16A	1	MICRO SWITCH PLATE
26	EAC0058D36A	2	BUSHING-D132MM (1324032)
27	EAC0058D38A	1	SWITCH SEGMENT (1631040)
28	8-7216	2	PLUG-HOLE 16MM
30	EAM0084J39A	1	SHAFT STOPBLOCK WLDMT
31	EAS2128J43A	1	BACKPACK WELDMENT
34	EAS2128J41A	1	BACKPACK LID



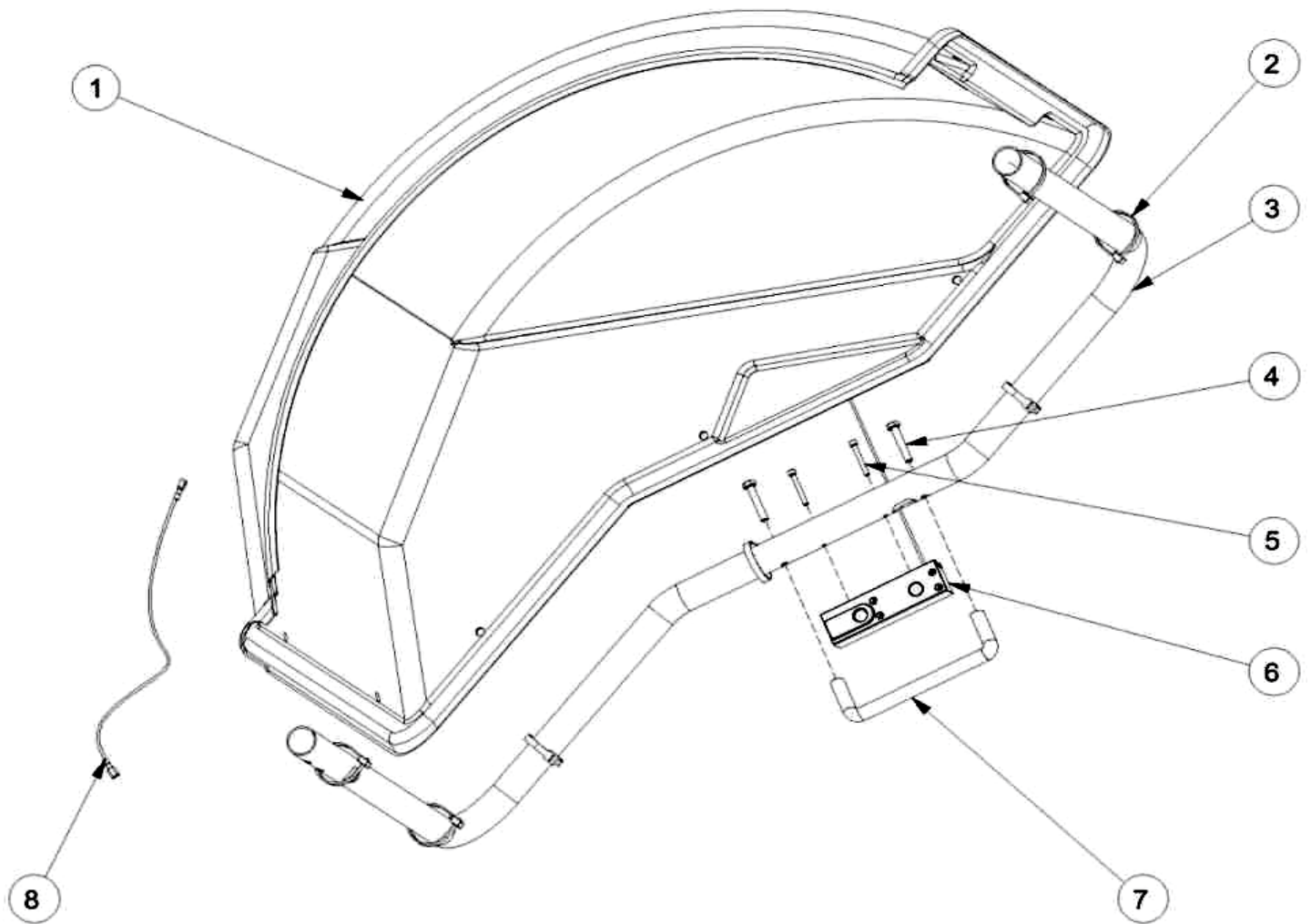
REF#	PART NUMBER	QTY	DESCRIPTION
1	1-10041	4	WASHER D.8 UNI6592-69/DIN125
2	1-17709	4	SCREW - SHCS M8 X 20MM
3	EAS2128J52A	1	ASSY MONITOR
4	EAS2128J53A	1	MONITOR VESA MOUNT
5	1-10033	2	HEX NUT PREVAILING
6	1-39901A	2	SCREW - HHMS 8M X 50MM
7	EAK0309J26A	1	MONITOR KIT
INCL	3-05708A	1	MONITOR-22 LCD W/SPEAKERS
INCL	1-54310A	4	SCREW SET M4X20 FLT 93245A119
INCL	1-13533A	4	NUT BARB M4 (EXT WASHER)



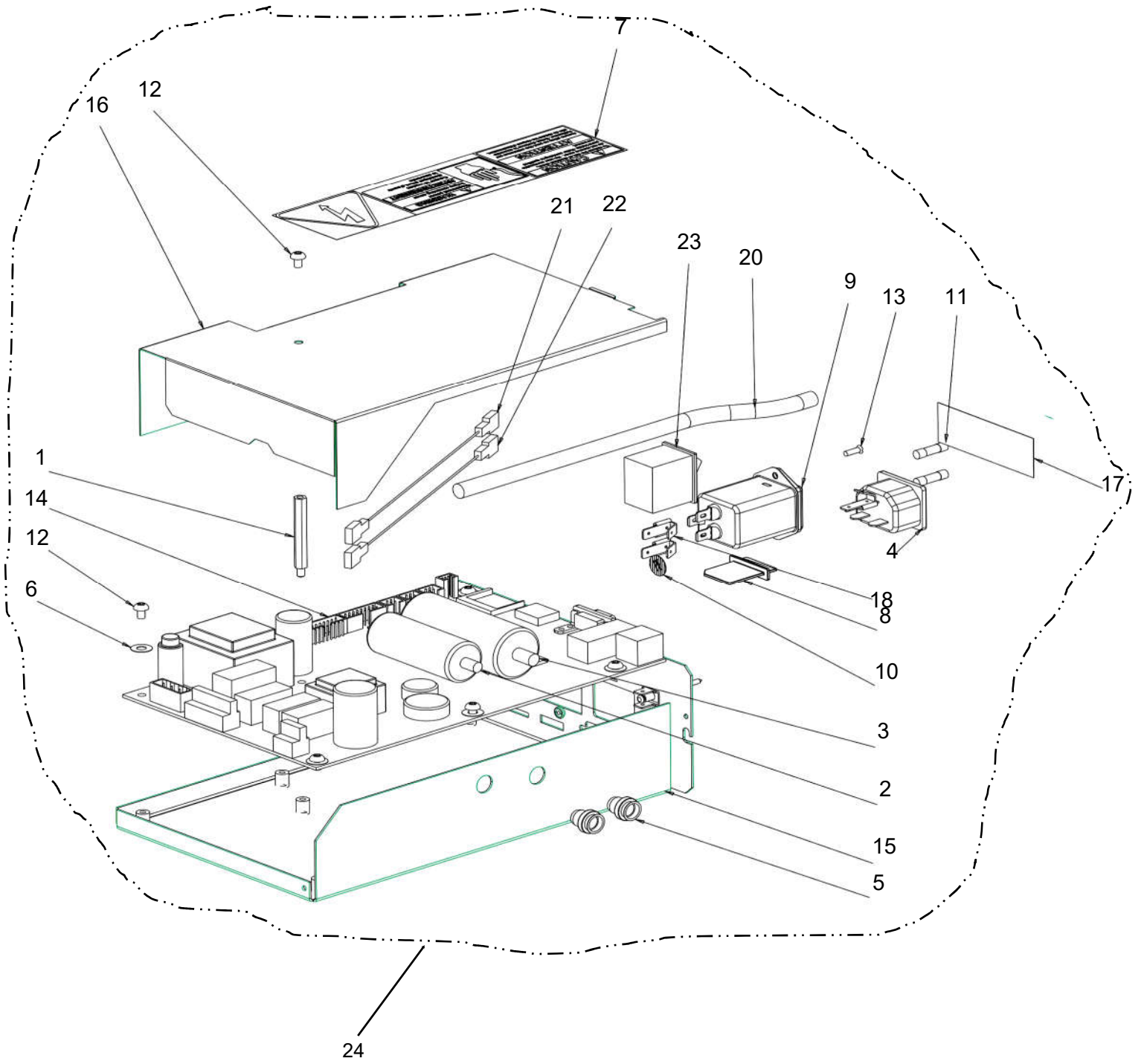
REF#	PART NUMBER	QTY	DESCRIPTION
1	EAA0471G16A	1	STAND. SAPE 1D-2D ASSY
2	1-22623A	2	SCREW, PHIL PAN H.TAPP
3	EAM0086G85A	1	DISTANCE SCALE DECAL (MM)
4	1-9641	4	WASHER
5	1-7810	1	SET SCREW FLAT POINT ZINC.
6	EAM0005D35A	4	GUIDING REEL
7	EAC0058D06A	1	RETURN PULLEY
8	1-08167A	1	STAND. SAPE TENSION SPRING
9	1-11233	1	NUT - M3 WHITE ZINCKED
10	6-00604A	0.6	ROPE SPECTRA 1000 D 0.6
11	EAC0058D11A	1	FEELER DISK
12	EAC0054P01A	1	ARM, AXCEL CALIPER
13	1-3624	1	SCREW POLYPLAST
14	EAC0058D09A	1	REGISTER, EJECTION
15	1-10141A1	2	WASHER
16	EAC0058D10A	1	RING, PUSH
17	1-06868A	1	SPRING, COMPRESSION
18	1-13909	4	SCREW
19	1-3824	1	SCREW
20	EAA0266D20A	2	POTENTIOMETER UNIT WITH NUT
21	2-07657A	2	CLAMPING DEVICE
22	1-13377A	1	CIRCLIP FOR SHAFT
23	1-22003A	3	SCREW 6X16 10K
24	1-17726A	2	SCREW TPS
25	EAC0058D58A	1	SAFETY COVER
26	1-9933	3	NUT, PREVAILING TORQUE M6
27	1-11726A	2	SCREW FOR PLAST. PHIL. PAN
28	EAC0058D12A	1	COG WHEEL 56 TEETH
29	EAC0058D13A	1	WHEEL GEAR
31	EAM0068G76A	1	S2-D2 BUSHING
32	1-13865A	1	BUSHING
33	EAM0125G68A	1	MACHINED M2 SAPE SUPPORT
34	EAM0053G16A	1	STANDARD. ROD SAPE, S1
35	1-4577	1	RING SNAP
36	EAA0277D94A	1	SAPE ARM W/EJECTOR



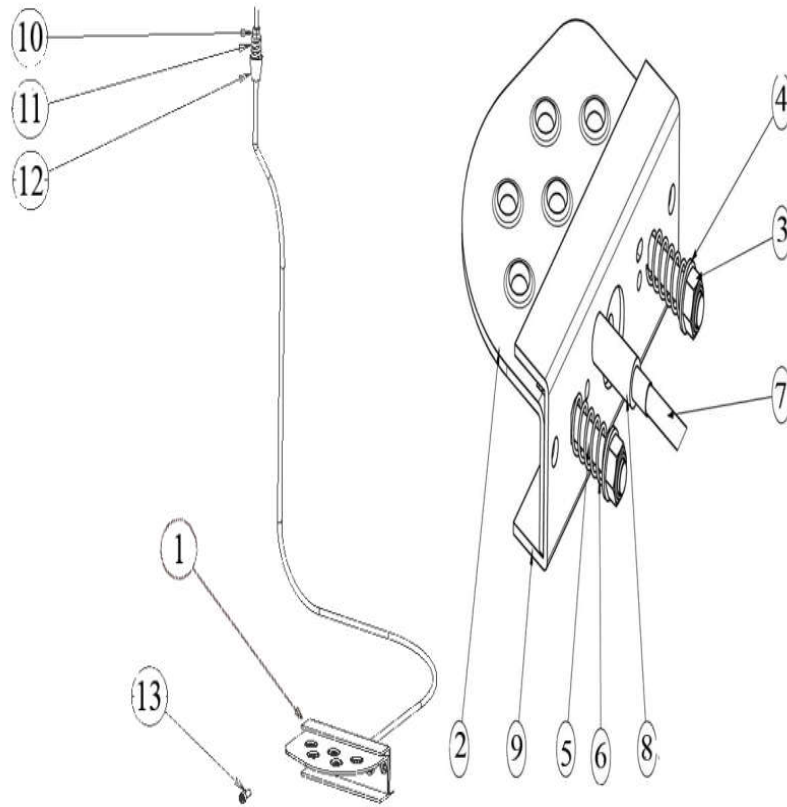
REF#	PART NUMBER	QTY	DESCRIPTION
1	EAA0364G85A	1	Vibratory
2	EAM0005D12A	1	Drive wheel
3	1-17841	1	Washer
4	1-32901	1	Screw, Hex Cap
5	8-3531	1	Belt 5 PJ 711
6	2-59366A	1	Motor
7	EAM0005D08A	1	Motor Pulley
8	1-28410	1	Screw
9	EAM0005D09A	4	Motor Distance Bolt
10	1-16641	2	Washer
11	1-46701A	2	Screw Hex Head
12	EAA0332G12A	1	Main Shaft Lock Assembly
13	1-35006A	1	Screw
14	EAA0260D59A	2	Transducer
15	EAA0344G00A	1	Opto-Encoder Board With Lens
16	EAA0328G16A	1	Transducer Fixing Unit
17	1-17709	6	Screw
18	EAW0240G67A	1	Ribbon Cable W/ Temp Sensor
19	1-9641	1	Washer
20	EAC0094G11A	1	Encoder Board Protection
21	1-17641	1	Washer
22	EAC0058D14A	1	Spring Centering Ring
23	1-07768A	1	Compression Spring
24	EAS2025D14A	1	Spring Case Spring Case
25	1-13077	1	Circlip
26	EAM0005D18A	2	Spacer
27	EAM0005D10A	2	Bolt
28	1-13177	2	Circlip
29	EAA0260D56A	1	Brake Lever A
30	1-6568	1	Compression Spring
31	EAA0260D57A	1	Brake Lever B
32	8-1144	4	Steel Ball D8 mm
33	1-2967	2	Pretension Spring Drawing
34	EAM0005D07A	2	Setscrew Hex Socket
35	1-17403	2	Screw Hex Socket
36	1-04634A	1	Nut Hex Low
37	1-19903A	2	Screw Hex Socket
38	1-11833	1	Hexagon Nut
39	1-36541A	2	Shim Ring



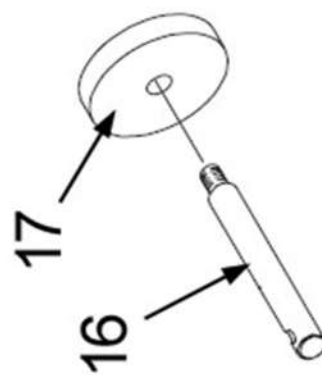
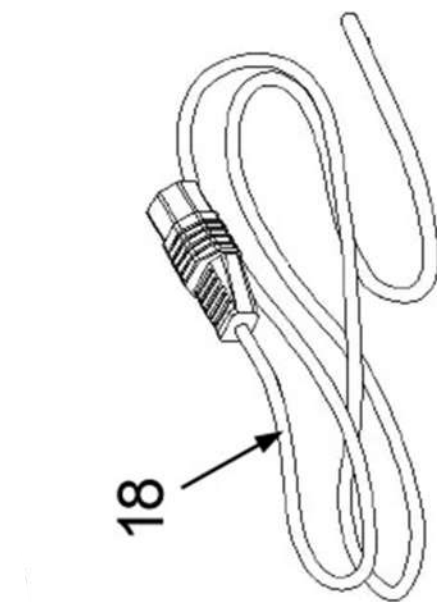
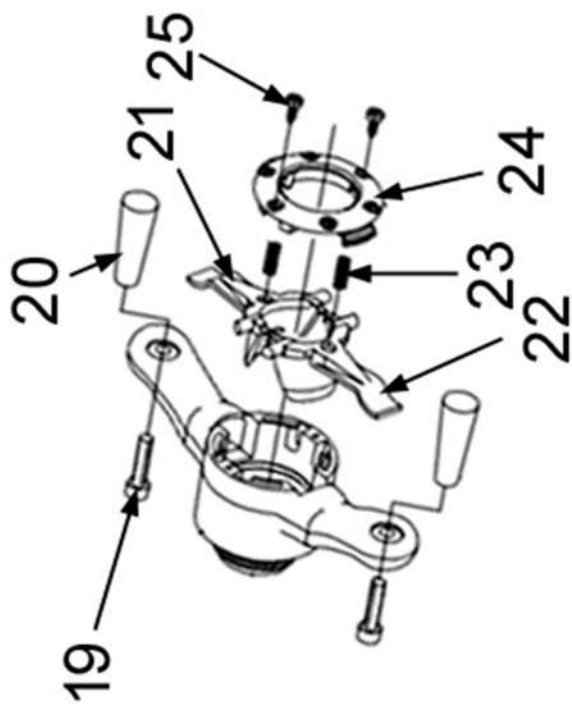
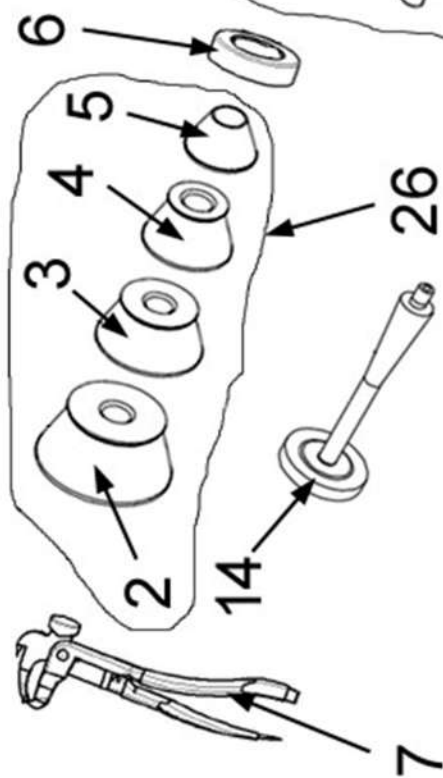
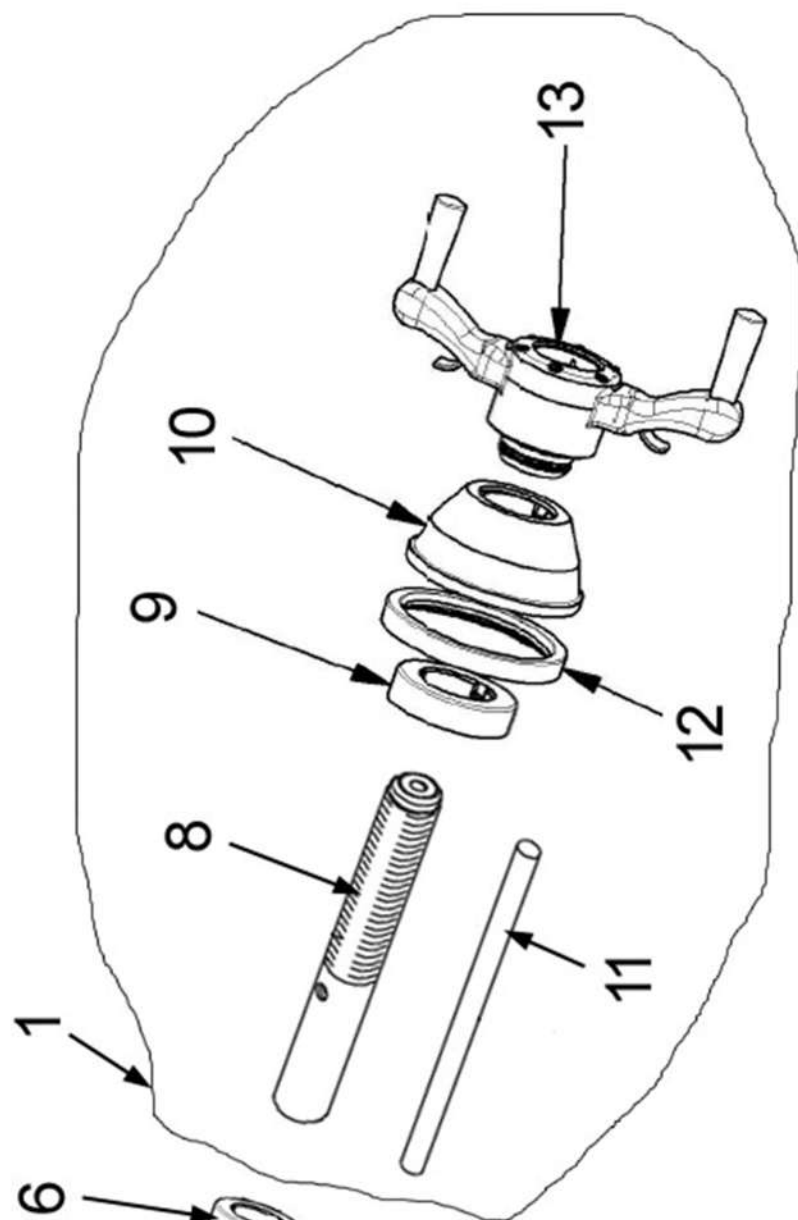
REF#	QTY	PART NUMBER	DESCRIPTION
1	1	EAC0100G21A	WHEEL GUARD 42"
2	7	5-03345A	CABLE TIE
3	1	EAM0076G34A	WHEEL GUARD PIPE
4	2	1-18209	SCREW, HEX M8 X 45
5	2	1-15509	SCREW HSHC 5X40 8G ZINC
6	1	EAA0439G97A	QR SONAR ASSY B300/GEO 7300
7	1	8-09233A	PLASTIC HANDLE-26784
8	1	EAW0283G78A	CABLE IIC SONAR SENSOR



REF#	PART NUMBER	QTY	DESCRIPTION
1	1-16661A	1	SPACER M4x45
2	2-01429A	1	CAPACITOR - 10uF, 400V
3	2-01529A	1	CAPACITOR - 20uF, 400V
4	2-63348A	1	CONNECTOR AC OUTLET
5	1-18359A	2	THREADED INSERT M8x1,25
6	1-5547	6	WASHER-LOCK, EXT, M4
7	EAL0341J98A	1	LABEL-BALANCER WARNINGS, EBOX
8	EAC0087G52A	1	MEMORY CARD
9	2-68948A	1	POWER ENTRY MODULE
10	8-23762A	1	LABEL - EARTH SYMBOL
11	2-21251A	2	FUSE-TIME DELAY, 250V, 6.3 AMP
12	1-19804	7	SCREW, PHIL PAN HEAD M4x6 *
13	1-11103	2	M3 X 10mm FLAT HEAD SCREW
14	EAP0276G80A2	1	L.E. VIDEO INTEGRATED
15	EAA0369J63A	1	FRAME ASSY FOR L. E. VIDEO IBP
16	EAS2128J74A	1	COVER FOR L.E. VIDEO
17	EAL0349G44A	1	FUSES CAUTION
18	2-31001A	3	TERMINAL - QUICK CONNECT
19	EAW0233J06A	1	CABLE - IEC, JUMPER
20	EAW0240G79A	1	MAIN CORD
21	EAW0243P22A	2	LINK WIRE BROWN
22	EAW0243P23A	2	LINK WIRE BLUE
23	2-13258A	1	MAIN SWITCH
24	EAA0481G50AC	1	ASSY BOX INTEGRATED



REF	QTY	PART NUMBER	DESCRIPTION
1	1	EAA0263G07A	BRAKE PEDAL ASSM
2	1	EAS2020P20A	PEDAL-BRAKE JBEG
3	2	1-10033	NUT-ESNA, M8
4	2	1-10041	WASHER-PLAIN, M8
5	2	1-06768A	SCREW-SHCS, M8 X 45
6	2	EAA0344G15A	SPRING-COMPRESSION
7	1	EAM0053G06A	CABLE ASSY-BRAKE PEDAL ASSY
8	1	1-11633A	SPACER-BRAKE PEDAL ASSY
9	1	EAS2027G18A	SUPPORT-BRAKE CABLE
10	2	1-11633A	NUT-M6 X 5,2mmTHK, BLK
11	1	1-6668	COMPRESSION SPRING
12	1	EAC0053J15A	BRAKE SPACER



REF#	PART NUMBER	QTY	DESCRIPTION
1	EAA0263G79A	1	Quick Nut Kit
2	EAM0003J69A	1	Truck Cone 3.42" - 5.4"
3	EAM0005D25A	1	Cone 3.78" - 4.57"
4	EAM0005D24A	1	Cone 2.83" - 3.90"
5	EAM0005D23A	1	Cone 1.65" - 3.03"
6	EAC0058D68A	1	Spacer ring
7	00058839000	1	Weight Pliers
8	EAM0021D90A	1	Stub Shaft 40 mm
9	EAC0058D08A	1	Pressure ring
10	EAC0058D07A	1	Pressure cup
11	EAM0005D34A	1	Rod for Fastening shaft
12	EAC0058D15A	1	Pressure cup cushion
13	EAA0263G66A	1	Quick Nut
14	EAM0005D40A	1	Calibration Weight
16	EAM0006G01A	4	Hook storage
17	EAC0060G02A	4	Rubber pad
18	EAW0290J26A	1	Power Cord 5 meters
19	1-54709A	2	Screw
20	ST0027008	2	Handle
21	6409019	1	Clamping jaw Pin side
22	6409020	1	Clamping jaw V side
23	1611128	2	Spring
24	EAC0060G23A	1	Cover
25	1-18623A1	2	Screw
26	EAK0309J28A	1	4 cone kit



Notice: The information contained in this document is subject to change without notice. Snap-on Equipment makes no warranty with regard to this material. Snap-on Equipment shall not be liable for errors contained herein or for incidental consequential damages in connection with furnishings, performance, or use of this material.

This document contains proprietary information which is protected by copyright and patents. All rights are reserved. no part of this document may be photocopied, reproduced, or translated without prior written consent

Snap-on Equipment
309 Exchange Ave.
Conway, Ar 72032
501-450-1500