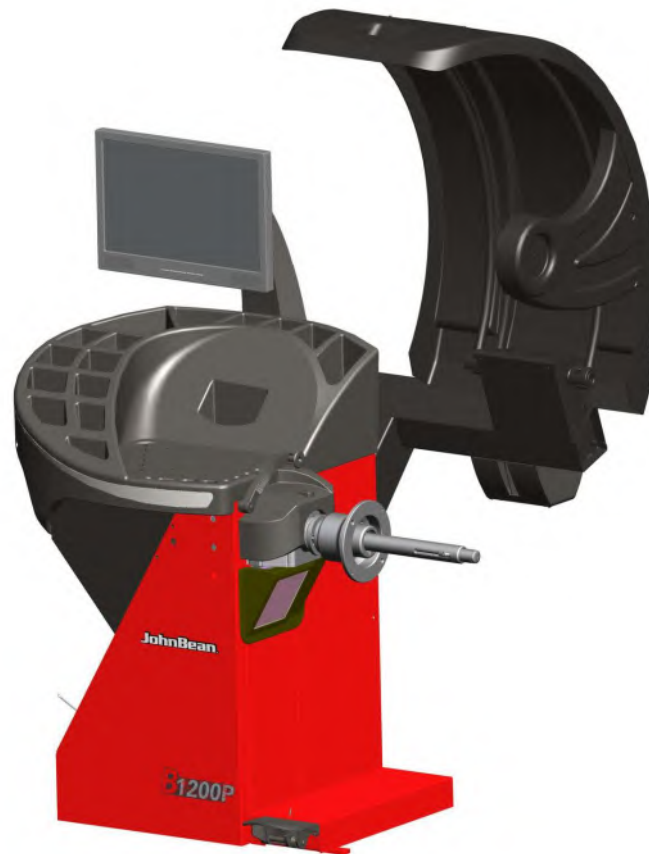


Spare Parts Pieces de Rechange Tabla de repuestos

JohnBean™



B1200

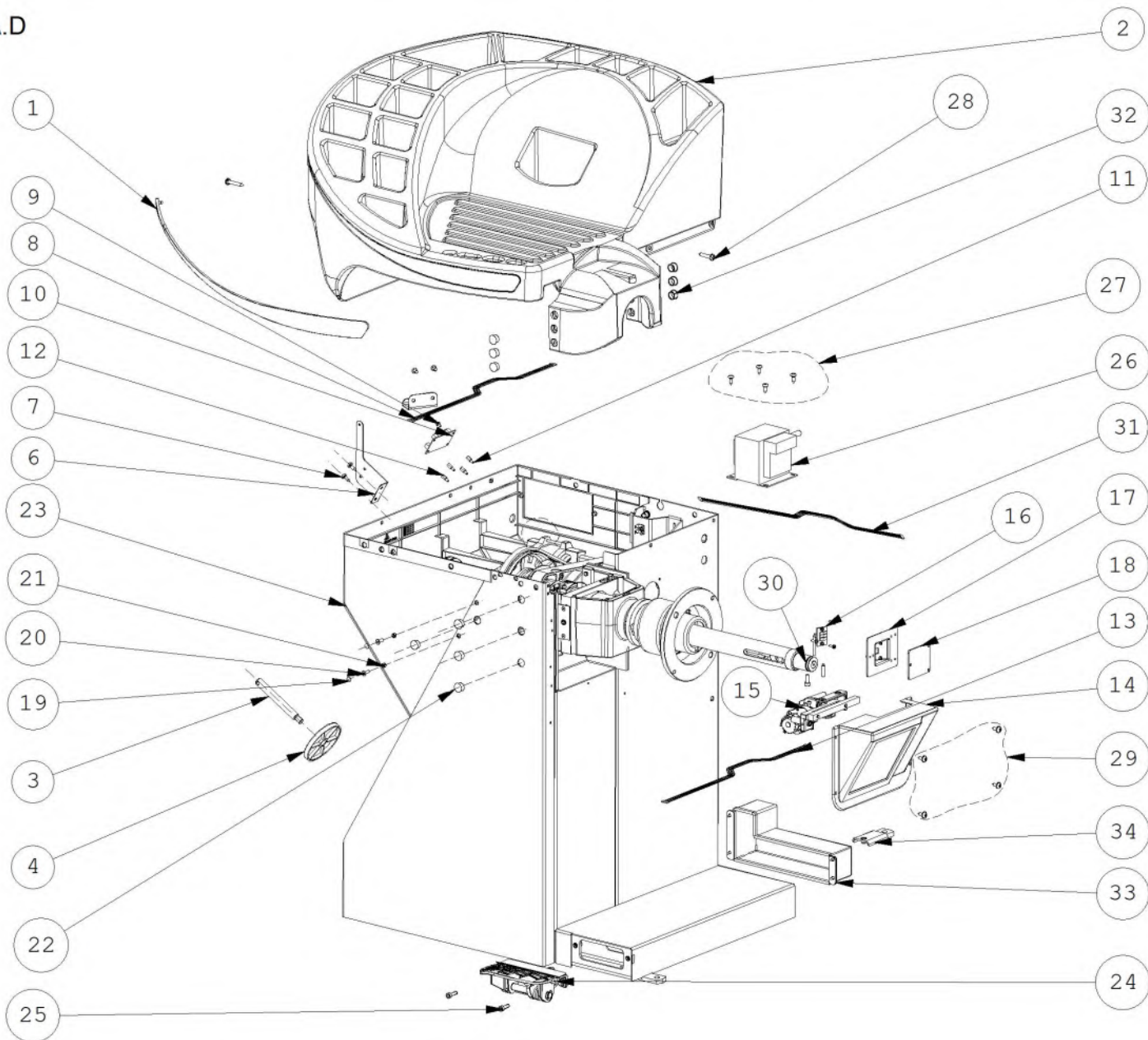
- (**GB**): in a given list, components sharing the same letter (A,B,C...), in the “Note” column are compatible.
- (**FR**): dans une table, les composants qui présentent la même lettre (A,B,C...) dans la colonne “Note”, sont compatibles.
- (**DE**): Die in einer Tabelle aufgeführten Komponenten, die in der Spalte “Anmerkung” mit demselben Buchstaben (A,B, C...) gekennzeichnet sind, sind kompatibel.
- (**RU**): В данном списке компоненты с одинаковыми буквами (A, B, C) в графе “Примечания” совместимы.
- (**IT**): all'interno di una tabella, i componenti che presentano la medesima lettera (A,B,C...) nella colonna “Nota”, sono compatibili.
- (**ES**): dentro de una tabla, los componentes de la columna “Nota” que poseen la misma letra (A, B, C...) son compatibles.
- (**PT**): em uma determinada tabela, os componentes que apresentarem a mesma letra (A,B,C...) na coluna “Nota”, são compatíveis.]

INDEX		Page
EAZ0088G80A_D	CABINET AND WEIGHT TRAY	4
EAZ0089G82A_1	MONITOR SUPPORT	8
EAZ0033G88A_C	VIBRATORY SYSTEM	10
EAZ0089G80A_C1	WHEELGUARD AND SONAR	13
EAZ0089G81A	WHEELGUARD SUPPORT	15
EAZ0089G37A_E	PEDAL P-CLAMP UL	18
EAZ0144G33A_A	BRAKE PEDAL M2 CABINET	20
EAZ0033G89A_C	POWER CLAMPING DEVICE	23
EAZ0088G81A_B1	SAPE 0D	25
EAZ0137G68A_A	EBOX IBP + EPC	27
EEWB567AWD_A1	WIRING DIAGRAM	30
EEWB567AWD_A2	WIRING DIAGRAM	31
EEWB567AWD_A3	WIRING DIAGRAM	32

UPDATING GUIDE:

Dec. 21: EAZ0088G80A_C > D, EAZ0144G33A_A ADDED

EAZ0088G80A.D



10/2021

Pos	Code	Designation	Désignation	Designación	N.	Note	Nota	A	B	C
1	EAC0103G55A	CHROME PLATED BAR	BARRE	BARRA	1				X	
2	EAK0329G22A	WEIGHT TRAY KIT	KIT PLAN PORTE-POIDS	KIT MESA PORTAPESAS	1				X	
3	EAM0006G01A	FLANGE HOLDER PIN	AXE PORTE-FLASQUES	PERNO PORTA BRIDAS	1				X	
4	EAC0060G02A	FLANGES PROTECTION	PROTECTION FLASQUES	PROTECCIÓN BRIDAS	1				X	
6	EAS2152G59A	IBP BRACKET FOR M2 CABINET	SUPPORT IBP CORPS MACHINE M2	SOPORTE IBP CAJA M2	1				X	
7	1-22323A	SELF-TAPPING SCREW	VIS AUTOTAR.	TORNILLO AUTORR.	1				X	
8	EAW0283G11A	INTERFACE IBP2 CABLE	CABLE INTERFACE IBP2	CABLE INTERFAZ IBP2	1				X	
9	1-19804	SCREW, PHIL PAN HEAD M4X6	VIS CB	TORNILLO	1				X	
10	EAP0290G40A	INTERFACE FOR IBP2	INTERFACE IBP2	INTERFAZ PARA IBP2	1				X	X
11	1-11961A	Theraded Spacer	Entretoise	Distanciador	1				X	
12	2-07932A	Locking board support	Support aut. board	Soporte aut. board	1				X	
13	6-01429A	FLAT CABLE FOR INNER SCANNER	SCANNER INTERNE RIBBON CABLE	CABLE PLATO SCANNER INTERNO	1				X	
14	EAA0357G43A	INSIDE LASER PROTECTION COMPLETE	GROUPE PROTECTION COMPL. INTERNE	GRUPO PROTECCIÓN COMPL. INTERNA	1				X	
15	EAA0394G27A	INSIDE SCANNER	SCANNER INTERNE	SCANNER INTERNO	1				X	
16	EAP0290G30A	LED LAMP BOARD	PANNEAU LAMPES DEL	TARJETA LÁMPARA LED	1				X	
17	EAC0103G85A	LED LIGHTING SUPPORT	SUPPORT D'ECLAIRAGE DEL	SOPORTE PARA LÁMPARA	1				X	
18	EAM0093G67A	WINDOW FOR LED LIGHTING	FENETRE D'ECLAIRAGE DEL	VENTANA PARA LÁMPARA	1				X	

A = available - disponible - disponible

B = on request - sur demande - a petición

C = suggested - suggeré - sugerido

Pos	Code	Designation	Désignation	Designación	N.	Note	Nota	A	B	C
19	1-10476A	BLACK CAP FOR SCREWS M5	BOUCHON NOIR POUR VIS M5	TAPÓN CASQUETE NEGRO TORNILLOS M5	2				X	
20	1-25503A	SCREW TSEI	VIS FHc	TORNILLO TSEI	2				X	
21	1-11533A	NUT	ECROU	TUERCA	2			X		
22	EAC0060G00A	VIBRATORY SYSTEM HOLES CUP	BOUCHON, GROUPE MESURE	TAPON-GRUPO MEDIDAS	3			X		
23	EAC0100G63A	PLASTIC COVER ASSY M2	HABILLAGE PLASTIQUE M2	GRUPO COBERTURA PLÁSTICA M2	1			X		
24	EAA0372G98A	ALU BRAKE PEDAL 2 SWICTHES	PEDALE FREIN ALUMINIUM 2 MICRO	PEDAL FRENO ALUMINIO 2 MICRO	1			X		X
24	EAA0503G90A	UL BRAKE PEDAL FOR M CABINET	PEDALE FREIN CORPS MACHINE M	PEDAL FRENO CAJA M	1			X		
25	1-16409	Screw	Vis	Tornillo	2			X		
26	EAA0363G31A	TRANSFORMER INCL.CABLE	TRANSFORMATEUR	TRANSFORMADOR	1			X		
26	7-00902A	Insulating transformer 100/230V	TRANSFORMATEUR 100/230V	Transformador 100/230V	1			X		
26	7-01802A	Insulating transformer	TRANSFORMATEUR	Transformador	1			X		
27	EAK0315G61A	SCREWS KIT FOR CARTER/TRANSF.	KIT VIS FIXATION CARTER/TRANSF.	JUEGO TORNILLOS CÁRTER/TRANSF	2			X		
28	1-16609A	SCREW TCEI	VIS CHc	TORNILLO TCEI	4			X		
29	EAK0315G61A	SCREWS KIT FOR CARTER/TRANSF.	KIT VIS FIXATION CARTER/TRANSF.	JUEGO TORNILLOS CÁRTER/TRANSF	1			X		
30	EAK0315G62A	KIT VITI SCANNER	KIT VIS FIXATION SCANNER	JUEGO TORNILLOS DE FIJACIÓN ESCÁNER	1			X		
31	EAW0283G12A	CABLE FOR SWITCHING ON LAMP	CABLE ALIMENTATION LAMPE LED	CABLE ENCENDIDO LÁMPARA LED	1			X		
32	EAC0060G00A	VIBRATORY SYSTEM HOLES CUP	BOUCHON, GROUPE MESURE	TAPON-GRUPO MEDIDAS	6			X		

A = available - disponible - disponible

B = on request - sur demande - a petición

C = suggested - suggeré - sugerido

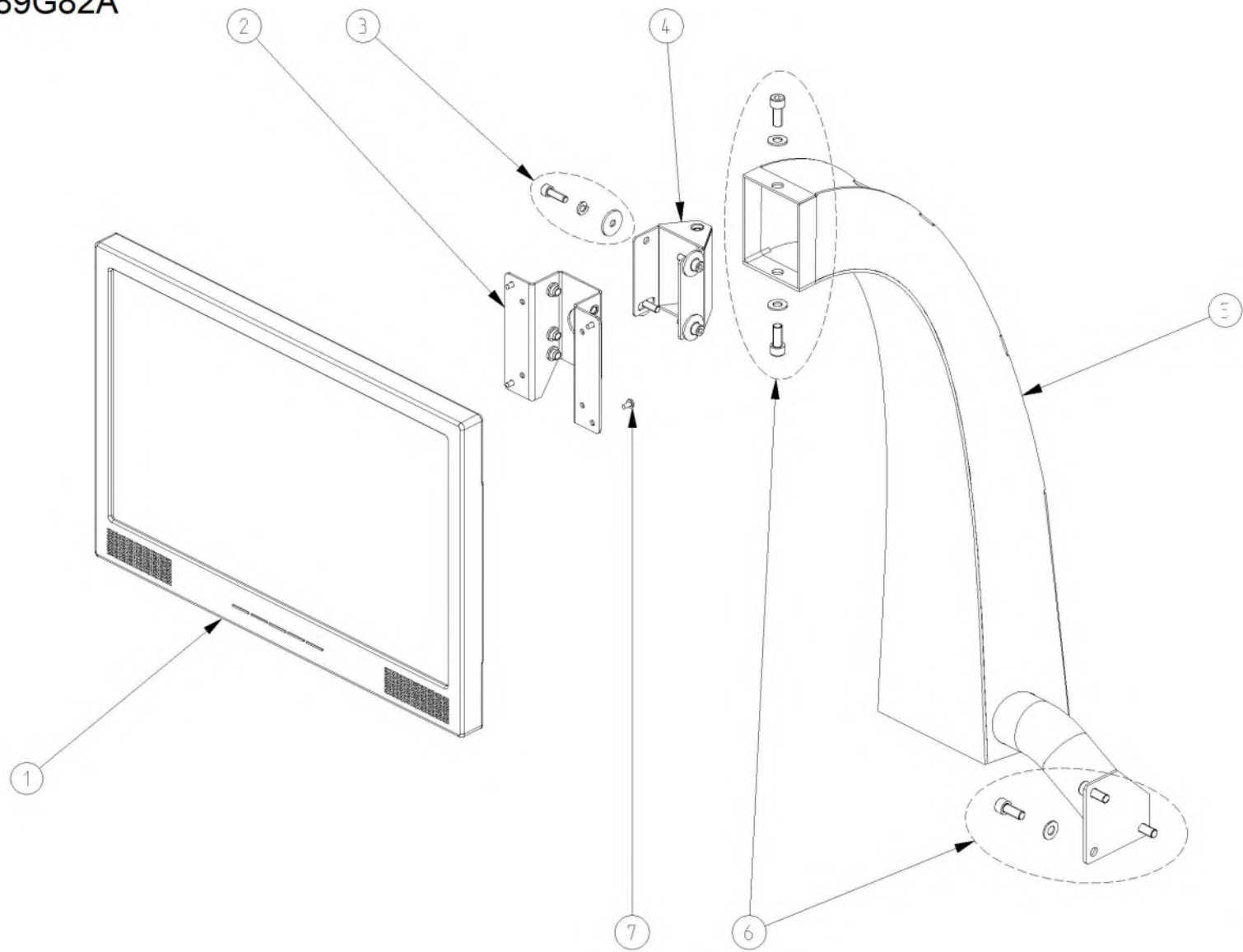
Pos	Code	Designation	Désignation	Designaciòn	N.	Note	Nota	A	B	C
33	EAA0508G88A	ASSY COVER FOR M CABINET	COUVERCLE CORPS MACHINE M	CÁRTER CAJA M	1			X		
34	EAS2246G63A	FOOT EXTENSION FOR M2 CABINET	KIT PROLONGEMENT CORPS MACHINE M	EXTENSION DE LAS PATAS CAJA M	1			X		

A = available - disponible - disponible

B = on request - sur demande - a petición

C = suggested - suggeré - sugerido

EAZ0089G82A



04/2015

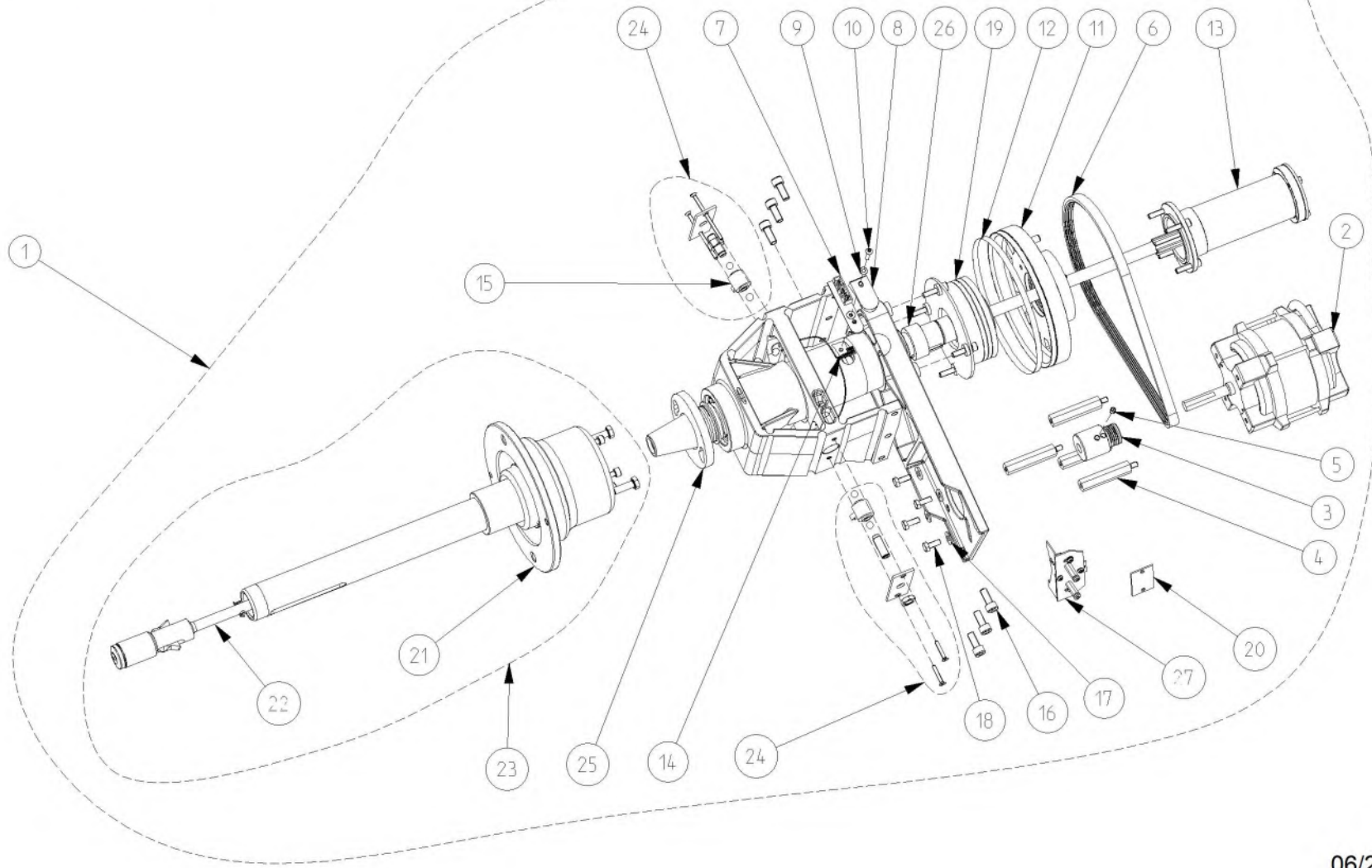
Pos	Code	Designation	Désignation	Designación	N.	Note	Nota	A	B	C
1	3-06608A	MONITOR 19" WITH TOUCH SCREEN	ECRAN 19" TOUCH SCREEN	MONITOR 19" TOUCH SCREEN	1	TOUCH SCREEN		X		
1	3-07808A	19" WIDE LCD MONITOR TOUCHSCREEN - UL	ECRAN LCD 19" WIDE - UL	MONITOR LCD 19" WIDE - UL	1	TOUCH SCREEN UL		X		
2	EAA0345G43A	VESA COUPLING UNIT	GROUPE RACCORD VESAS	GRUPO CONEXIÓN VESA	1			X		X
3	EAK0317G13A	M6 SCREWS KIT	KIT VIS M6	KIT TORNILLOS M6	1	M6			X	
4	EAS2152G83A	MONITOR SUPPORT	SUPPORT ECRAN	SOPORTE MONITOR	1			X		
5	EAS2153G61A	MONITOR SUPPORT ASSY	SUPPORT ECRAN COMPLET	GRUPO SOPORTE MONITOR	1			X		
6	EAK0317G14A	M8 SCREWS KIT	KIT VIS M8	KIT TORNILLOS M8	1	M8			X	
7	1-24806A	SCREW TCB	VIS CB	TORNILLO TCB	4	4X8 4.8 UNI 7687 7986 ISO7045		X		

A = available - disponible - disponible

B = on request - sur demande - a petición

C = suggested - suggeré - sugerido

EAZ0033G88A.C



06/2016

Pos	Code	Designation	Désignation	Designación	N.	Note Nota	A	B	C
1	EAA0382G00A	ALU MEASUREMENT UNIT L	ALU GROUPE DE MESURE L	ALU GRUPO DE MEDIDA L	1	P-CLAMP	X		
1	EAA0392G39A	ALU UL MEASUREMENT UNIT	ALU GROUPE DE MESURE UL	ALU GRUPO DE MEDIDA UL	1	P-CLAMP	X		
1	EAA0393G05A	ALU MEASUREMENT UNIT L	ALU GROUPE DE MESURE L	ALU GRUPO DE MEDIDA L	1	US ONLY P-CLAMP Long cable	X		
2	2-59266A	MOTOR INCL. CONNECTOR Y2K	MOTEUR	MOTOR CON CONECTOR Y2K	1		X		
2	2-59366A	UL MOTOR INCL. CONNECTOR Y2K	UL MOTEUR	UL MOTOR CON CONECTOR Y2K	1	US ONLY WS 120W Long cable	X		
2	2-67766A	MOTOR INCL. CONNECTOR Y2K	MOTEUR	MOTOR CON CONECTOR Y2K	1		X		
3	EAM0005D08A	MOTOR PULLEY	POULIE MOTEUR	POLEA MOTOR	1		X		
4	EAM0061G82A	UNIT MOTOR SPACER	PIÈCE D'ÉCARTEMENT DU MOTEUR	DISTANCIADOR MOTOR GRUPO	4	P-CLAMP	X		
5	1-28410	SCREW	VIS	TORNILLO	1	M6X8 915	X		
6	8-3531	BELT	COURROIE	CORREA	1	5PJ711 7867	X	X	
7	EAA0344G00A	OPTO-ELECTRONIC UNIT	CARTE OPTO-ENCODER AVEC LENTILLE	TARJETA OPTO-ENCODER CON LENTE	1		X	X	
8	EAC0094G11A	ENCODER BOARD PROTECTION	PROTECTION CARTE ENCODER	PROTECCIÓN TARJETA ENCODER	1		X		
9	1-9641	WASHER	RONDELLE	ARANDELA	1		X		
10	1-35006A	SCREW	VIS	TORNILLO	1	M4X20 7985	X		
11	EAM0021D18A	MOTOR PULLEY	POULIE MOTEUR	POLEA MOTOR	1		X		
12	EAM0005D64A	ENCODER BAR CODE	CODE A BARRES ENCODEUR	CÓDIGO DE BARRAS ENCODER	1		X		
13	EAA0307G36A	REPLACEMENT KIT "P"	KIT DE REMPLACEMENT "P"	KIT DE SUSTITUCIÓN "P"	1		X		

A = available - disponible - disponible

B = on request - sur demande - a petición

C = suggested - suggeré - sugerido

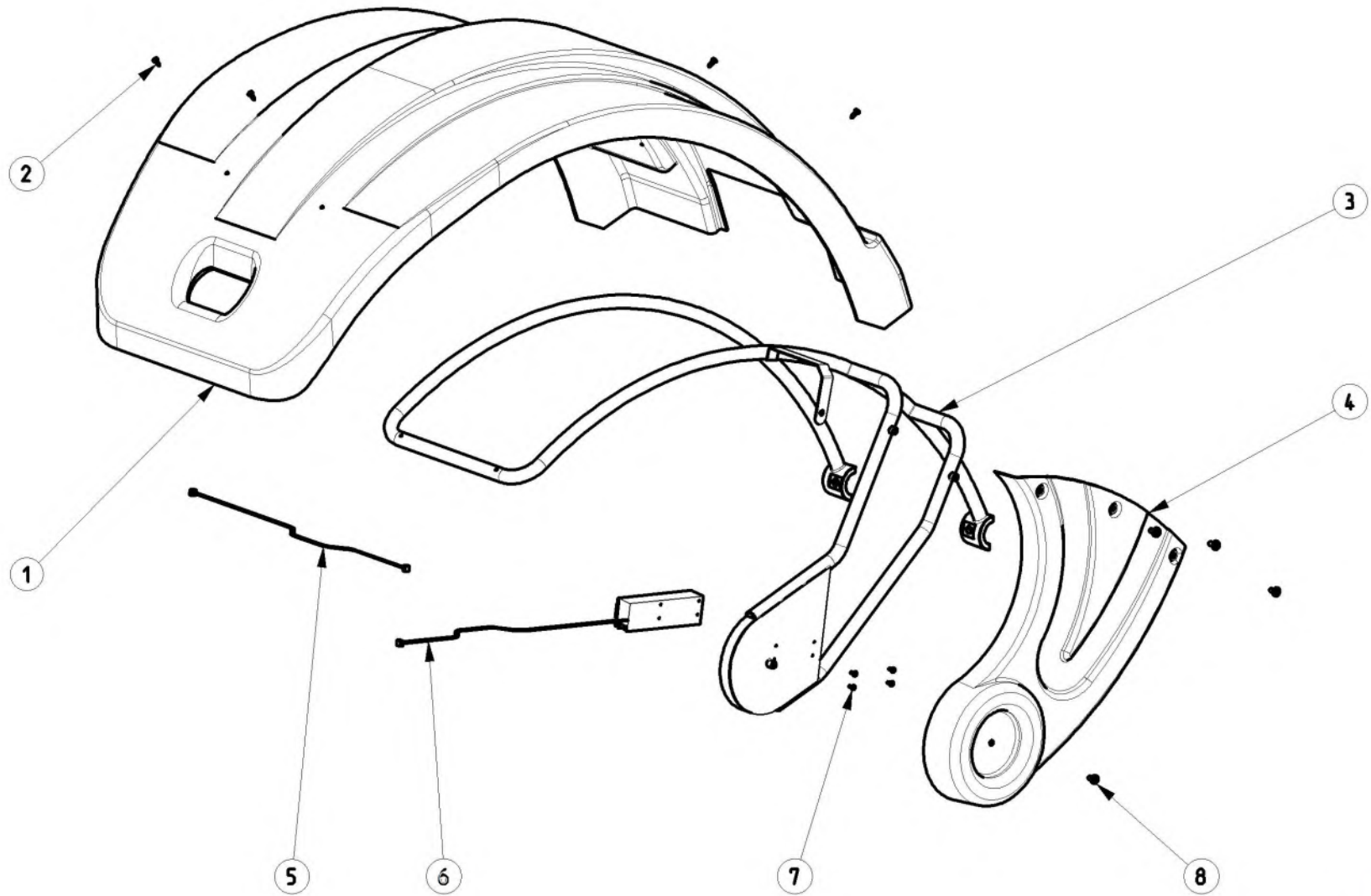
Pos	Code	Designation	Désignation	Designaciòn	N.	Note	Nota	A	B	C
14	EAW0240G67A	CABLE WITHOUT TEMP. SENSOR	CÂBLE SANS CAPTEUR DE TEMPER.	CABLE SIN SENSOR TEMPERATURA	1			X		X
14	EAW0282G49A	CABLE WITHOUT TEMP. SENSOR	CÂBLE SANS CAPTEUR DE TEMPER.	CABLE SIN SENSOR TEMPERATURA	1	6300-2p		X		X
15	EAA0260D59A	TRANSDUCER	CAPTEUR	TRANSDUCTOR	2			X		X
16	1-17709	SCREW TCEI 8X20 8G	VIS CHc	TORNILLO TCEI	6			X		
17	1-16641A	Washer plain	Rondelle plate	Arandela plana	4			X		
18	1-46701A	HEX HEAD SCREW	VIS H	TORNILLO TE	4	M6X16 933		X		
19	EAA0307G35A	BRAKE DISC REPAIR KIT	KIT FREIN DE POSITIONNEMENT	KIT FRENO DE POSICIONAMIENTO	1			X		
19	EAA0383G85A	BRAKE DISC REPAIR KIT	KIT FREIN DE POSITIONNEMENT	KIT FRENO DE POSICIONAMIENTO	1	Long wire		X		
20	EAP0201D20A	ENCODER BOARD COMPLETE	CARTE ENCODEUR COMPLETE	TARJETA ENCODER COMPLETA	1			X		X
21	EAA0382G01A	POWER CLAMP FLANGE L	FLASQUE "POWER CLAMP" L	BRIDA "POWER CLAMP" L	1			X		
22	EAA0382G02A	PULL-SHAFT COMPLETE L	AXE COMPLET L	TIRANTE COMPLETO L	1			X		
23	EAA0384G71A	P-CLAMP FLANGE COMPLETE	FLASQUE POWER CLAMP COMPLET	BRIDA P-CLAMP COMPLETA	1			X		
24	EAA0328G16A	TRANSDUCER FIXING UNIT	MOYENS DE FIXATION DU CAPTEUR	GRUPO FIJACIÓN PIEZA	1			X		X
25	EAA0307G37A	BAYONET FITTING	DISPOSITIFS ATTACHE BAÏONNETTE	DISCO DE BAYONETA DE FIJACIÓN	1				X	
26	EAM0051G25A	POWER CLAMP SPACER RING	BAGUE D'ECARTEMENT POWER CLAMP	ANILLO DISTANCIADOR	1	40x17			X	
27	EAK0329G15A	BOARD SUPPORT KIT	KIT SUPPORT CARTE	KIT SOPORTE TARJETA	1				X	

A = available - disponible - disponible

B = on request - sur demande - a petición

C = suggested - suggeré - sugerido

EAZ0089G80A.C



07/2016

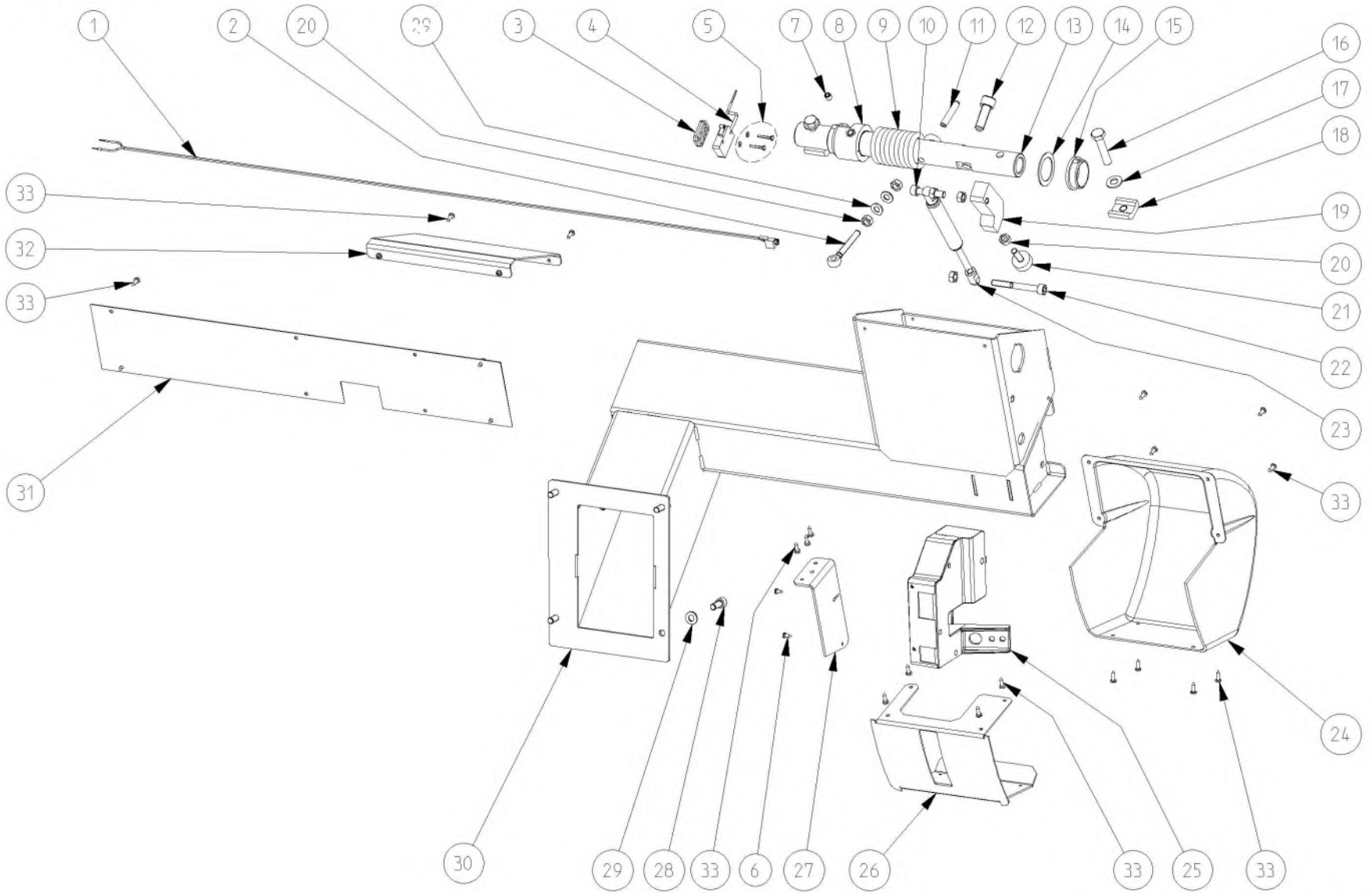
Pos	Code	Designation	Désignation	Designación	N.	Note	Nota	A	B	C
1	EAM0092G18A	REINFORCED WHEELGUARD	PROTECTION ROUE RENFORCEE	PROTECCIÓN RUEDA REFORZADA	1			X		
2	1-22623A	SCREW, PHIL PAN H.TAPP.	VIS AUTOTAR.	TORNILLO AUTORR.	4				X	
3	EAS2139G50A	WHEELGUARD FRAME WELDED	CHASSIS PROTECTION ROUE SOUDE	BASTIDOR PROTECCIÓN RUEDA SOLDADO	1			X		
4	EAC0103G81A	SONAR COVER	PROTECTION SONAR	PROTECCIÓN SONAR	1			X		
5	EAW0283G83A	SONAR SENSOR EXTENSION CABLE	RALLONGE CABLE CAPTEUR SONAR	EXTENSIÓN CABLE SENSOR SONAR	1			X		
6	EAA0439G99A	ASSY SONAR BOX	GROUPE SONAR	GRUPO SONAR	1			X		
7	1-10226A	SELF TAPPING SCREW	VIS AUTOTARAUEUSE	TORNILLO AUTOENROSCADO	4	D 3x8		X		
8	1-31406A	Screw	Vis	Tornillo	4			X		

A = available - disponible - disponible

B = on request - sur demande - a petición

C = suggested - suggeré - sugerido

EAZ0089G81A



04/2015

Pos	Code	Designation	Désignation	Designación	N.	Note	Nota	A	B	C
1	EAW0239D08A	EXTENSION CABLE WHEELGUARD MICRO SV	CABLE RALLONGE MICRORUPTEUR PROT.RO	CABLE EXTENSIÓN MICROINTERRUPT. PROTE	1			X		
2	1-02330A	EYE-SCREW	VIS A ŒILLET	TORNILLO CON RANURA	1			X		
3	EAC0053J16A	MICROSWITCH PLATE	PLAQUETTE MICRORUPTEUR	PLACA MICROINTERRUPTOR	1			X		
4	2-7261	WHEELGUARD SWITCH	INTERRUPTEUR PROTECTION ROUE	INTERRUPTOR PROTECCIÓN RUEDA	1			X		X
5	EAK0317G15A	MICROSWITCH FIXING GROUP	JEU FIXATION MICRO	JUEGO AJUSTE MICRO	1				X	
6	1-17123	SCREW, PHIL PAN H.TAPP.	VIS AUTOTAR.	TORNILLO AUTORR.	2			X		
7	1-47810	SCREW	VIS FHc	TORNILLO STEI	1	M8x80 UNI5923-67		X		
8	EAC0058D38A	MICRO FIXING RING	BAGUE FIXATION MICRO	ANILLO FIJACIÓN MICRO	1			X		
9	1-04267A	WHEELGUARD SPRING	RESSORT PROTECTION ROUE	MUELLE PROTECCIÓN RUEDA	1			X		
10	1-30109A	SCREW	VIS	TORNILLO	1			X		
11	1-12452	PINS - STRAIGHT SLOTTED	BROCHE ELASTIQUE	PASADOR ELÁSTICA	1	8X45 1481		X		
12	1-20409	SCREW,HEX SOCKET HEAD CAP	VIS CHc	TORNILLO TCEI	1	M12X35 8.8 A2J 912		X		
13	EAM0092G21A	WHEELGUARD SHAFT	ARBRE PROTECTION ROUE	ÁRBOL PROTECCIÓN RUEDA	1			X		
14	1-22441A	SHIM RING	RONDELLE D'ARASEMENT	ARANDELA DE ENRASE	1	32X45X1 DIN988 D.32		X		
15	EAC0058D36A	WHEELGUARD BUSHING	DOUILLE GUIDE PROTECTION ROUE	CASQUILLO GUÍA PROTECCIÓN RUEDA	2			X		
16	1-19901	SCREW, HEX HEAD MACCHINE	VIS H	TORNILLO TE	2	D.32		X		
17	1-10141A1	WASHER P.d.10	RONDELLE D 10	ARANDELA D 10	2			X		

A = available - disponible - disponible

B = on request - sur demande - a petición

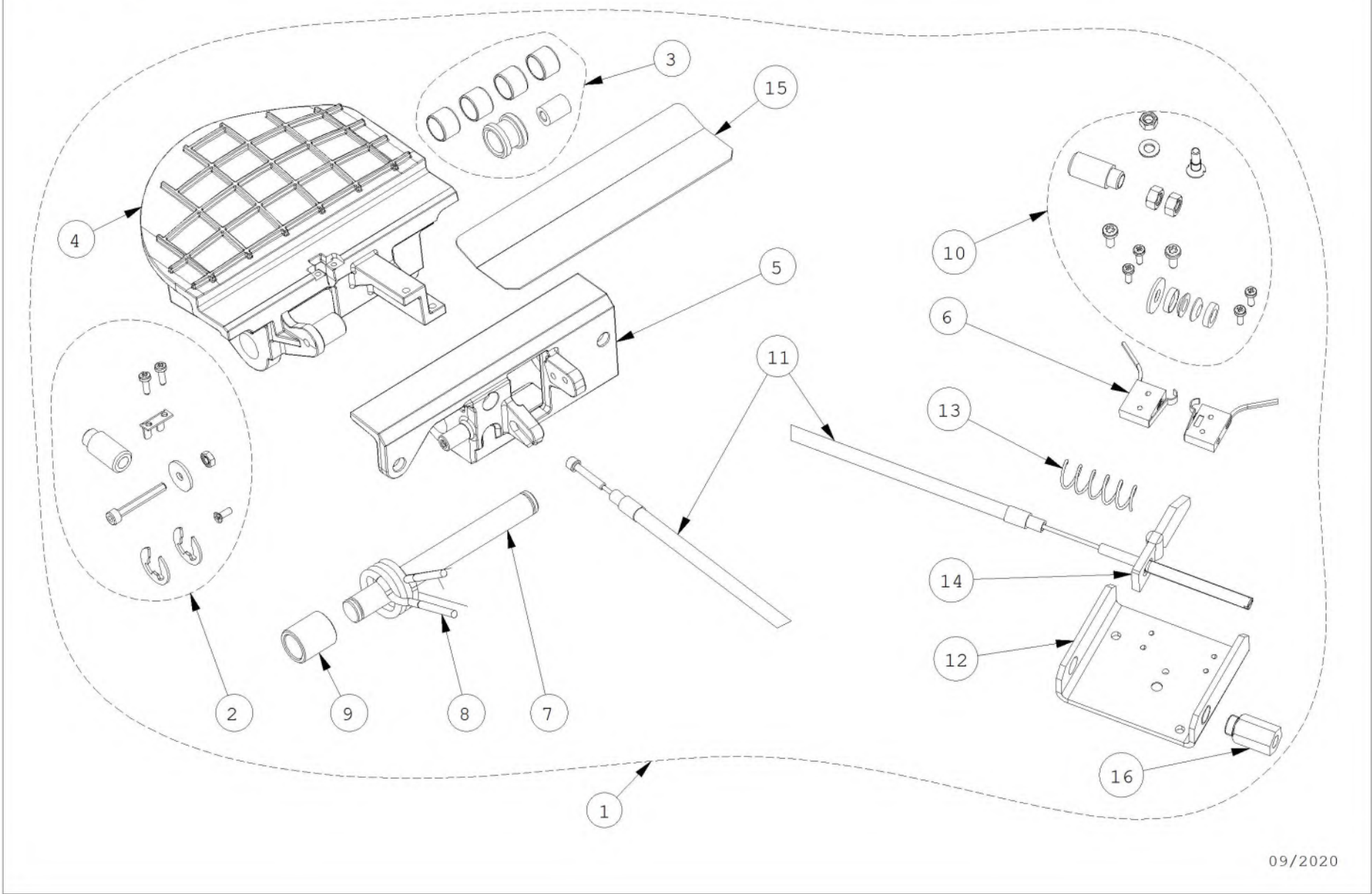
C = suggested - suggeré - sugerido

Pos	Code	Designation	Désignation	Designación	N.	Note	Nota	A	B	C
18	EAM0092G22A	FIXING PLATE	PLAQUE DE FIXATION	PLACA DE FIJACIÓN	2			X		
19	EAM0093G52A	WHEELGUARD STOP	ARRET PROTECTION ROUE	TOPE PROTECCIÓN RUEDA	1			X		
20	1-11733	NUT M8	ECROU M8 6S	TUERCA M8 6S	6			X		
21	8-14418A	BUMPER 25x10 / M8x25	BUTOIR 25x10 / M8x25	BUMPER 25x10 / M8x25	1			X		
22	1-18709A	SCREW 8X70 8.8 BLK UNI5931-67	VIS CHc	TORNILLO TCEI	1			X		
23	1-06769A	GAS SPRING	AMORTISSEUR	AMORTIGUADOR	1			X		X
24	EAC0114G04A	SCANNER COVER	PROTECTION SCANNER	PROTECCIÓN SCANNER	1			X		
25	EAA0409G27A	ASSY REAR SCANNER	GROUPE SCANNER POSTERIEUR	GRUPO SCANNER TRASERO	1			X		
26	EAS2153G60A	SCANNER PROTECTION	PROTECTION SCANNER	PROTECCIÓN SCANNER	1			X		
27	EAS2153G59A	FRAME SCANNER SUPPORT	CHASSIS SUPPORT SCANNER	BASTIDOR SOPORTE SCANNER	1			X		
28	1-17709	SCREW TCEI 8X20 8G	VIS CHc	TORNILLO TCEI	4			X		
29	1-10041	WASHER D.8	RONDELLE DIAM 8	ARANDELA PLANA D.8 GALVANIZ.	6			X		
30	EAS2139G44A	BACK PACK FRAME	CHASSIS BACK PACK	BASTIDOR BACK PACK	1			X		
31	EAS2139G48A	REAR CARTER	CARTER ARRIERE	CÁRTER TRASERO	1			X		
32	EAS2139G49A	COVER BACK PACK	CARTER BACK PACK	TAPA BACK PACK	1			X		
33	1-22623A	SCREW, PHIL PAN H.TAPP.	VIS AUTOTAR.	TORNILLO AUTORR.	23					X

A = available - disponible - disponible

B = on request - sur demande - a petición

C = suggested - suggeré - sugerido

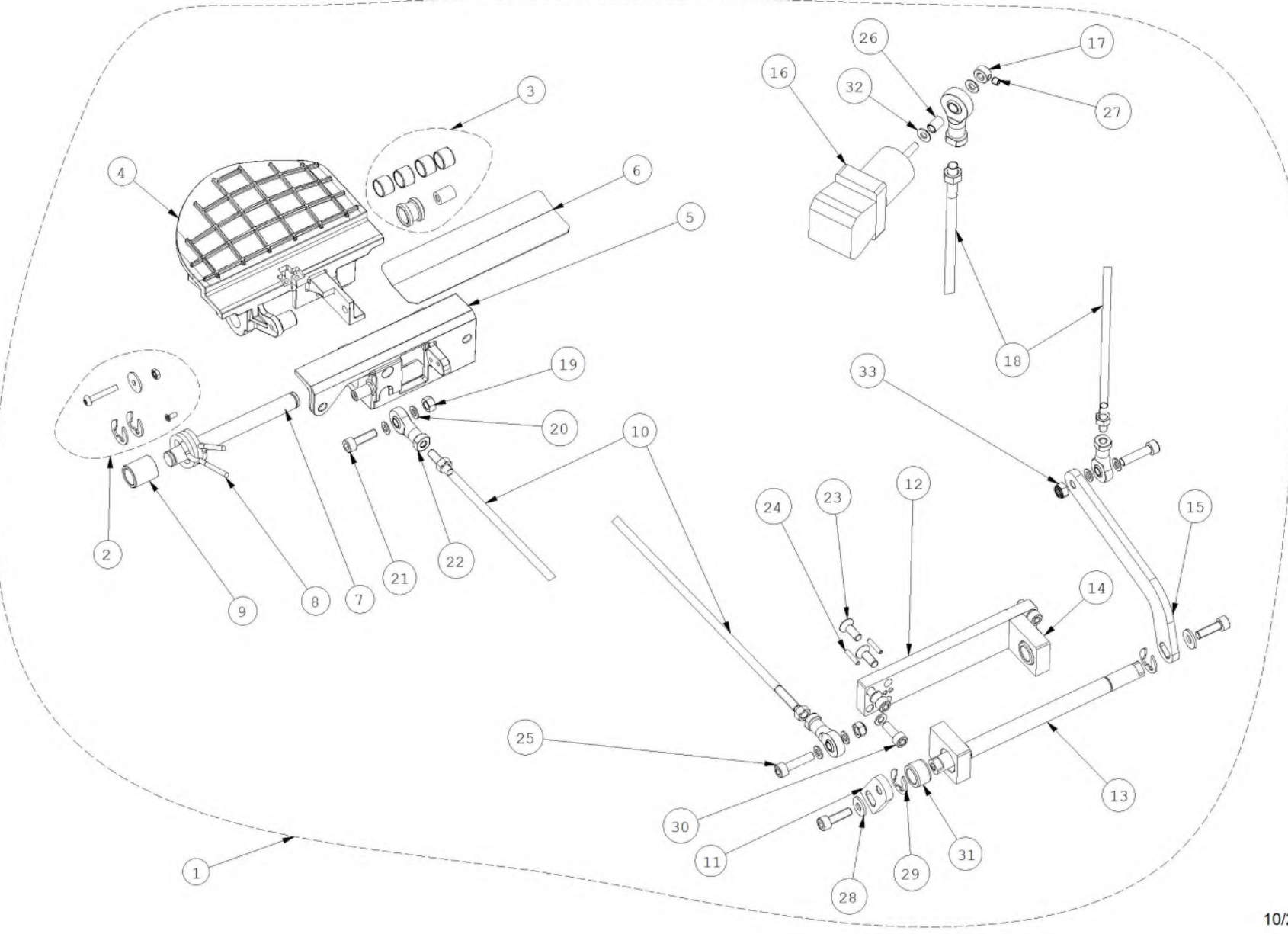


Pos	Code	Designation	Désignation	Designación	N.	Note	Nota	A	B	C
1	EAA0409G98A	ALU BRAKE PEDAL 2 SWITCHES	PEDALE FREIN ALUMINIUM 2 MICRO	PEDAL FRENO ALUMINIO 2 MICRO	1			X		X
2	EAK0315G94A	SCREWS UL ALU BRAKE PEDAL SET	KIT BOULONNERIE PEDALE FREIN UL	KIT PERNOS PEDAL FRENO UL	1	UL VERSION		X		X
3	EAK0306G92A	BUSHES FOR ALU BRAKE PEDAL SET	KIT DOUILLES PEDALE FREIN EN ALUMINIUM	KIT CASQUILLOS PEDAL FRENO DE ALUMINIO	1			X		
4	EAM0122G48A	MACHINED PEDAL	PEDALE USINÉ	PEDAL TRABALHADO	1				X	
5	EAM0181G72A	BRAKE PEDAL SUPPORT FINISHED	SUPPORT FINI	SOPORTE ACABADO	1				X	
6	2-07661A	MICRO SWITCH	MICRO-RUPTEUR	MICROINTERRUPTOR	2			X		X
7	EAM0046G39A	PEDAL PIN	GOUPILLE DE PÉDALE	PERNO DE ANCLAJE DEL PEDAL	1				X	
8	EAM0048G78A	SPRING, PEDAL SWITCH	RESSORT, PEDAL INTERRUPTEUR	MUELLE PEDAL INTERRUPTOR	1			X		X
9	EAM0051G96A	SPRING BUSHING	DOUILLE DE RESSORT	CASQUILLO DEL MUELLE	1				X	
10	EAK0315G95A	SCREWS FOR ACTUATOR ALU BRAKE PEDAL	KIT BOULONNERIE ACTIONNEUR PEDALE	KIT PERNOS ACTUADOR PEDAL	1				X	
11	EAA0344G15A	BOWDEN CABLE ASSY	CABLE PÉDALE	CABLE PEDAL	1			X		
12	EAS2153G49A	MICROSWITCH SUPPORT	SUPPORT MICRO-RUPTEUR	SOPORTE MICROINTERRUPTOR	1			X		
13	1-06768A	COMPRESSION SPRING	RESSORT À PRESSION	MUELLE DE COMPRESION	1			X		
14	EAM0153G24A	ACTUATOR	ACTIONNEUR	ACTUADOR	1				X	
15	EAL0443G72A	PROTECTIVE LABEL	ADHÉSIF PROTECTEUR	ADHESIVO DE PROTECCIÓN	1			X		X
16	EAM0140G21A	THREADED BUSH	DOUILLE FILETEE	CASQUILLO ROSCADO	1			X		

A = available - disponible - disponible

B = on request - sur demande - a petición

C = suggested - suggéré - sugerido



Pos	Code	Designation	Désignation	Designación	N.	Note	Nota	A	B	C
1	EAA0503G90A	UL BRAKE PEDAL FOR M CABINET	PEDALE FREIN CORPS MACHINE M	PEDAL FRENO CAJA M	1			X		
2	EAK0375G52A	SCREWS BRAKE PEDAL SET	KIT VIS PEDALE FREIN	KIT TORNILLOS PEDAL FRENO	1			X		
3	EAK0306G92A	BUSHES FOR ALU BRAKE PEDAL SET	KIT DOUILLES PEDALE FREIN EN ALUMINIUM	KIT CASQUILLOS PEDAL FRENO DE ALUMINIO	1			X		
4	EAM0180G23A	MACHINED UL PEDAL	PEDALE USINÉ	PEDAL TRABALHADO	1			X		
5	EAM0181G44A	BRAKE PEDAL SUPPORT FINISHED UL	SUPPORT PÉDALE DE FREIN	SOPORTE DEL PEDAL DE FRENO	1	UL VERSION MACHINED		X		
6	EAL0443G72A	PROTECTIVE LABEL	ADHÉSIF PROTECTEUR	ADHESIVO DE PROTECCIÓN	1			X		X
7	EAM0046G39A	PEDAL PIN	GOUPILLE DE PÉDALE	PERNO DE ANCLAJE DEL PEDAL	1				X	
8	EAM0048G78A	SPRING, PEDAL SWITCH	RESSORT, PEDAL INTERRUPTEUR	MUELLE PEDAL INTERRUPTOR	1			X		X
9	EAM0051G96A	SPRING BUSHING	DOUILLE DE RESSORT	CASQUILLO DEL MUELLE	1				X	
10	EAM0179G21A	PULLING BAR LOW M CABINET	TIRANT	TIRANTE	1	LOW M CABINET SMALL		X		
11	EAM0179G23A	CONROD	BIELLE	BIELA	1			X		
12	EAM0180G21A	SHAFT SUPPORT BASE	BASE PORTE-ARBRE	BASE SUJECIÓN EJE	1			X		
13	EAM0179G24A	SHAFT	ARBRE	EJE	1			X		
14	EAM0179G20A	SHAFT SUPPORT	PORTE-ARBRE	SUJECIÓN EJE	2			X		
15	EAM0179G25A	CONROD	BIELLE	BIELA	1	BIG		X		
16	2-13658A	JOYSTICK, 2 POSITIONS, 48MM SHAFT	JOYSTICK 2 POSITIONS, ARBRE 48MM	JOYSTICK 2 POSICIONES, ÁRBOL 48MM	1			X		
17	EAM0180G22A	JOYSTICK CONNECTION	RACCORDEMENT JOYSTICK	CONEXIÓN JOYSTICK	1			X		

A = available - disponible - disponible

B = on request - sur demande - a petición

C = suggested - suggeré - sugerido

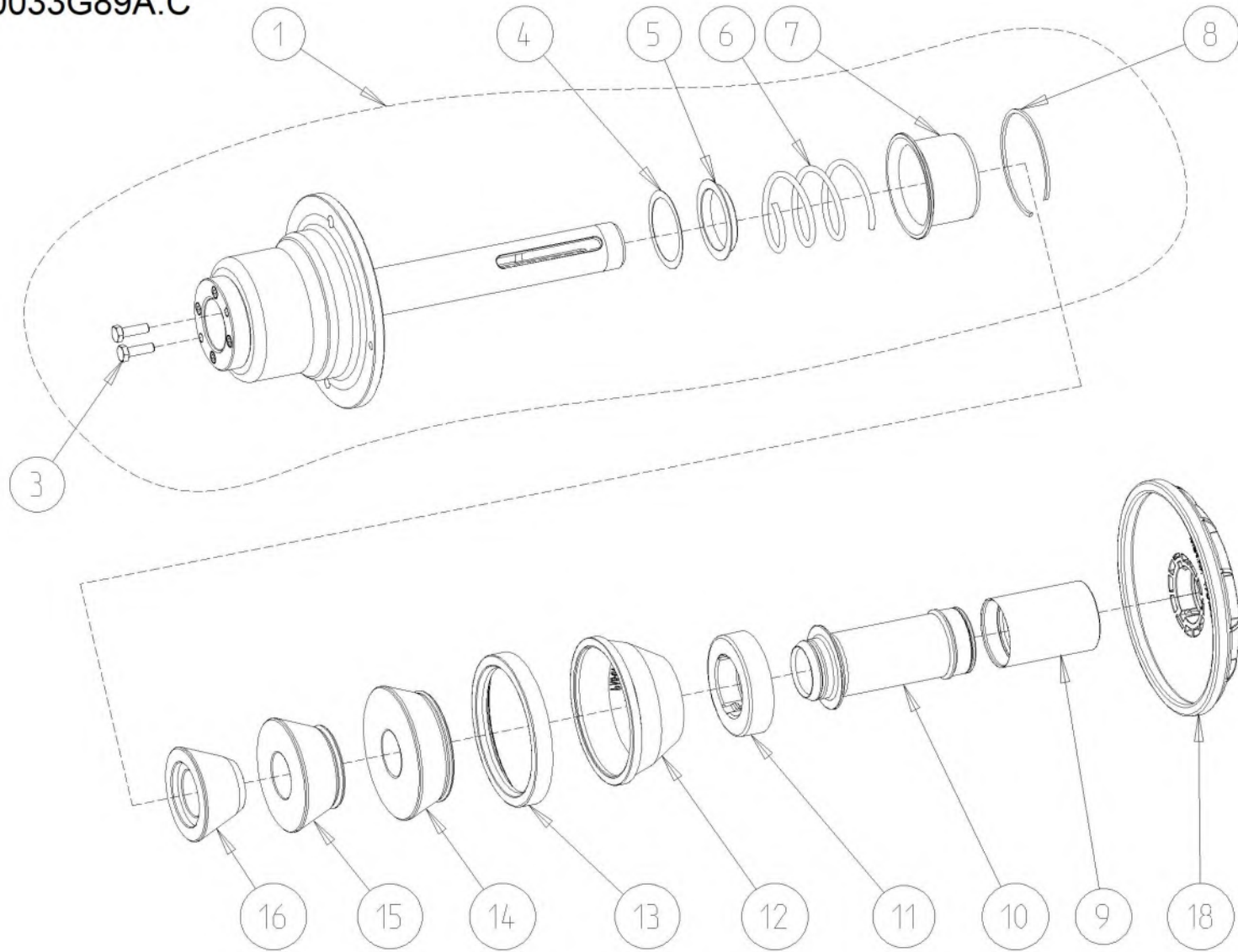
Pos	Code	Designation	Désignation	Designación	N.	Note	Nota	A	B	C
18	EAM0179G26A	PULLING BAR UPPER M CABINET	TIRANT	TIRANTE	1	UPPER		X		
19	1-11633A	NUT-HEX. M6 6S	ECROU M6 6S	TUERCA M6 CL.8 BR-MEDIO	5			X		
20	1-9741	WASHER d.5	RONDELLE d.5	ARANDELA D.5 GALVANIZ.	10			X		
21	1-16409	Screw	Vis	Tornillo	2			X		
22	1-11963A	ROD BEARING M6	COUSSINET	COJINETE	4			X		
23	1-22003A	SCREW 6X16 10K	VIS FHc	TORNILLO TSEI	4			X		
24	1-22052A	CYLINDRICAL PIN D3X16 UNI EN 22338	GOUJON CYLINDRIQUE D3X16 UNI EN 22338	VASTAGO CILINDRICO D3X16 UNI EN 22338	4			X		
25	1-16509A1	SCREW TCEI 6X25 8G	VIS CHc	TORNILLO TCEI	3			X		
26	EAM0181G82A	JOYSTICK BUSHING	DOUILLE JOYSTICK	CASQUILLO JOYSTICK	1			X		
27	1-38610	SCREW	VIS	TORNILLO	1	M4 X 4		X		
						DIN 916 ISO 4				
28	1-16641A	Washer plain	Rondelle plate	Arandela plana	2			X		
29	1-18477A	RING-SNAP d.10	BAGUE DE BUTEE d.10	ANILLO DE TOPE RAD.D.10	2			X		
30	1-16309	SCREW HEX SOCKET M 6X16	VIS CHc	TORNILLO TCEI	4				X	
31	1-17365A	BUSHING	DOUILLE	CASQUILLO	2			X		
						DIN 1850				
32	1-9641	WASHER	RONDELLE	ARANDELA	2			X		
33	1-9933	NUT, PREVAILING TORQUE M6	ECROU M6 AUTO-BL.	TUERCA M6 AUT. BAS.CL.6	2			X		

A = available - disponible - disponible

B = on request - sur demande - a petición

C = suggested - suggeré - sugerido

EAZ0033G89A.C



07/2015

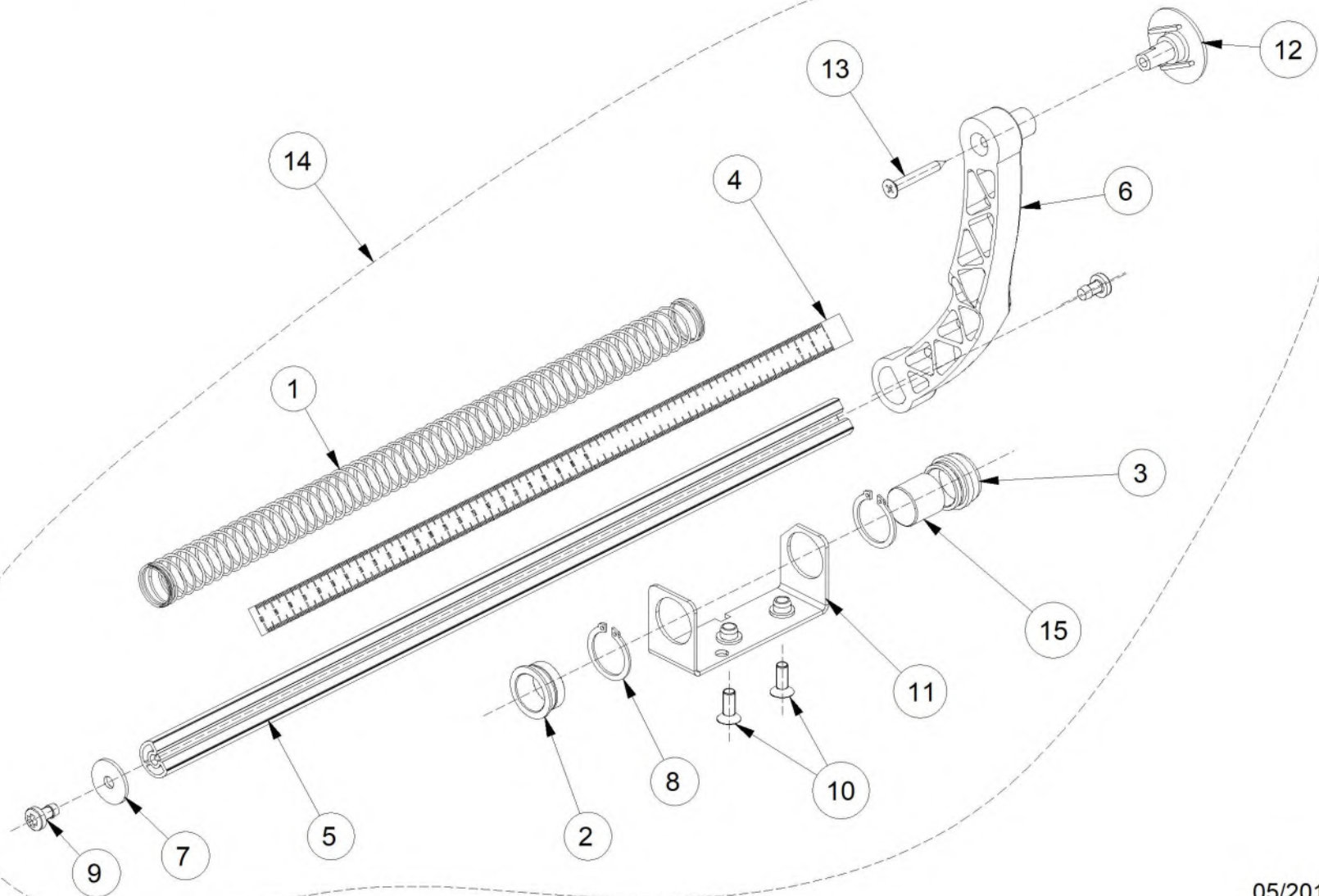
Pos	Code	Designation	Désignation	Designación	N.	Note	Nota	A	B	C
1	EAA0382G01A	POWER CLAMP FLANGE L	FLASQUE "POWER CLAMP" L	BRIDA "POWER CLAMP" L	1			X		
3	1-32701A1	SCREW M8X25	VIS H	TORNILLO TE	1			X		
4	1-18241A	Washer	Rondelle	Arandela	1	55x68x0.5 988			X	
5	EAC0058D14A	SPRING CENTRING RING	ANNEAU DE CENTRAGE DU RESSORT	MUELLE DE CENTRAJE DEL ANILLO	1			X		
6	1-07768A	COMPRESSION SPRING	RESSORT À PRESSION	MUELLE A PRESIÓN	1			X		
7	EAS2025D14A	SPRING GUIDE	CARTER RESSORT	GUÍA DEL MUELLE	1			X		
8	1-13077	CIRCLIP	ANNEAU	ANILLO ELÁSTICO	1			X		
9	EAC0058D69A	Protective sleeve	Douille de protection	Manguito de protección	1			X		
10	EAM0086G86A	Clamping sleeve	Douille de serrage	Manguito de bloqueo	1			X		X
11	EAC0058D08A	Pressure ring	Bague de serrage	Anillo de empuje	1			X		
12	EAC0058D07A	Clamping head	Tête de serrage	Caja de presión	1			X		
13	EAC0058D15A	Protective ring	Bague de protection	Anillo protector	1			X		
14	EAM0005D25A	Cone	Cône	Cono	1	N.4 "ECON" D40 D.94 - 115 mm			X	
15	EAM0005D24A	Cone	Cône	Cono	1	N.2 "ECON" D40 D.73 - 94 mm			X	
16	EAM0005D23A	Cone	Cône	Cono	1	N.1 "ECON" D40 D.48 - 80 mm			X	
18	EAA0307G82A	Clamping Plate	Calotte	Chapa de Bloqueo	1	Ø 200 OPTIONAL				X

A = available - disponible - disponible

B = on request - sur demande - a petición

C = suggested - suggeré - sugerido

EAZ0088G81A.B



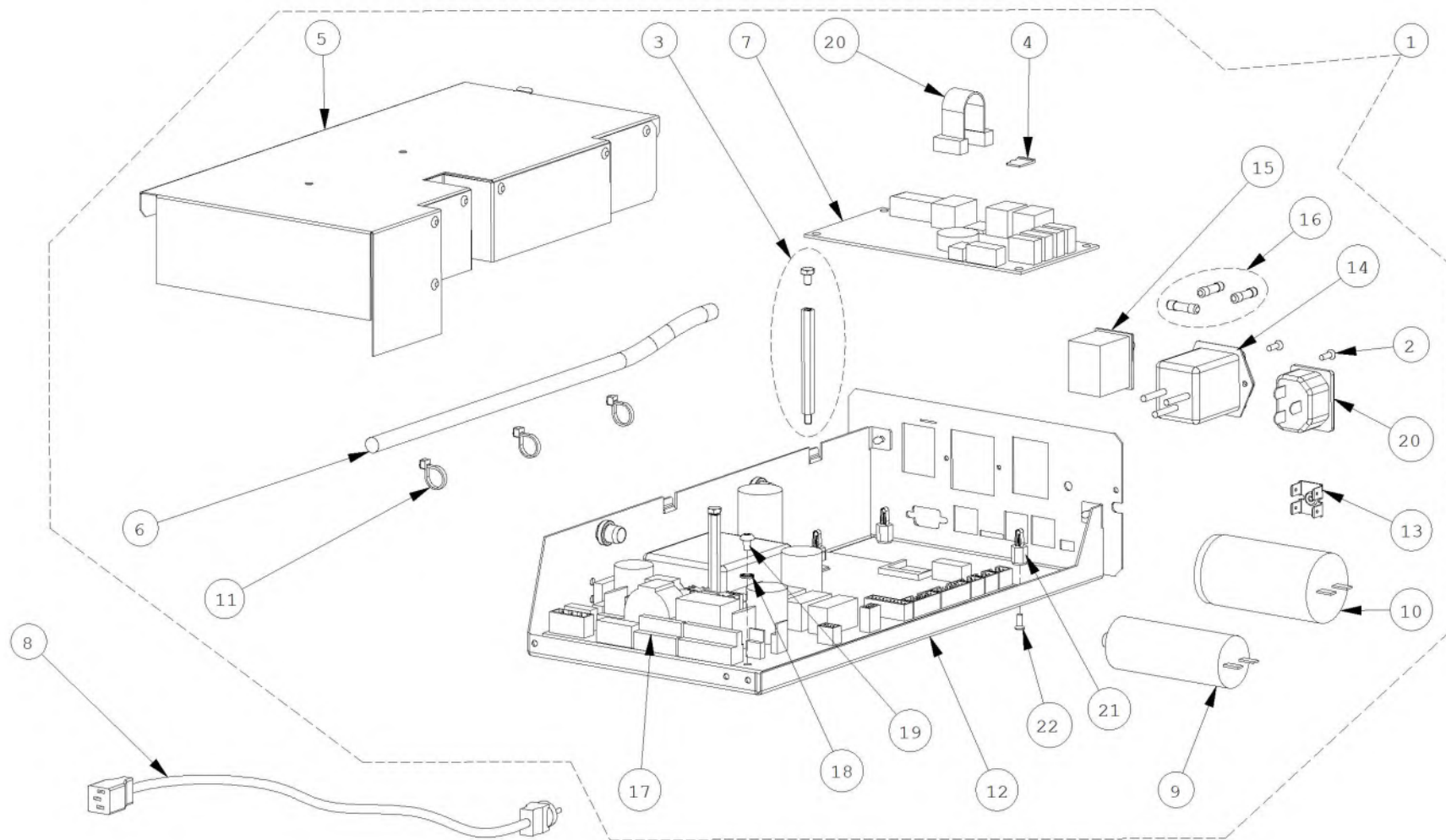
05/2016

Pos	Code	Designation	Désignation	Designación	N.	Note	Nota	A	B	C
1	1-10468A	Gauge spring	Ressort jauge-étalon	Muelle varilla calibrado	1			X		X
2	EAM0068G76A	S2-D2 BUSHING	BRIDE	CASQUILLO	1			X		
3	EAA0409G33A	Bushing outside sape	Douille jauge-étalon	Casquillo guía varilla	1			X		
4	EAM0140G91A	DISTANCE SCALE DECAL (MM)	PLAQUE JAUGE ETALON EN MM	TARJETA VARILLA CALIBRE EN MM.	1	SAPE M2		X		
5	EAM0053G08A	Standard truck gauge rod	Jauge-étalon camion unifiée	Varilla calibración truck unificado	1			X		
6	EAC0054P01A	ARM, AXCEL CALIPER	JAUGE ETALON	BRAZO VARILLA CALIBRE	1			X		
7	1-22941A	WASHER	RONDELLE COMMUNE	ARANDELA COMÚN	1	D. 6 x 24 DIN 7981		X		
8	1-4577	RING SNAP	ANNEAU	ANILLO TOPE	2			X		
9	1-3824	SCREW	VIS AUT. TC CRUCIF.	TORNILLO AUTOM.TC CRUZ	2	M6x12 DIN 7516AE		X		
10	1-22003A	SCREW 6X16 10K	VIS FHc	TORNILLO TSEI	2			X		
11	EAA0358G16A	Sape support with insert	Support Sape avec inserts	Soporte sape con insertos	1			X		
12	EAC0058D11A	Feeler disk	Disque de contact	Disco palpador	1			X		X
13	1-3624	SCREW POLYPLAST	VIS AUTOTAR. POUR PLAST.	TORNILLO AUTOENROSC. PARA PLAST.	1	M5x40		X		
14	EAA0378G29A	Assy BFH SAPE	Groupe jauge BFH	Grupo calibración BFH	1			X		
15	1-13865A	BUSHING	DOUILLE	CASQUILLO	1	IGUS GSM202120		X		

A = available - disponible - disponible

B = on request - sur demande - a petición

C = suggested - suggeré - sugerido



Pos	Code	Designation	Désignation	Designación	N.	Note	Nota	A	B	C
1	EAA0509G60A	E-BOX	E-BOX	E-BOX	1			X		X
2	1-23123A	Self tapping screw	Vis autotaraudeuse	Tornillo autorroscante	2	2,9 X 9,5			X	
3	EAK0315G58A	KIT SPACERS / SCREWS	KIT VIS / PIÈCES D'ÉCARTEMENT	JUEGO TORNILLOS / DISTANCIADOR	1			X		
4	3-99426AF1	PROGRAMMED MICRO SD CARD	CARTE PROGRAMMÉE MICRO SD	TARJETA MICRO SD PROGRAMADA	1				X	
5	EAS2139G70A	COVER PLATE	TOLE DE REVETEMENT	CHAPA DE REVESTIMIENTO	1				X	
6	EAW0282G97A	MAIN CABLE	CÂBLE PRINCIPALE	CABLE PRINCIPAL	1			X		
7	EAP0276G60A	EPC BOARD	CARTE EPC	TARJETA EPC	1			X		X
8	EAW0240G14A	POWER SUPPLY CABLE	CABLE SECTEUR	CABLE ELÉCTRICO	1	NA Version		X		
8	EAW0240G13A	POWER SUPPLY CABLE	CABLE SECTEUR	CABLE ELÉCTRICO	1	UK		X		
8	6-05221A	POWER CORD EUROPEAN	CABLE SECTEUR EUROPE	CABLE ELECTRICO	1	European		X		
8	EAX0039J00A	POWER SUPPLY CABLE	CABLE SECTEUR	CABLE ELÉCTRICO	1	JAPAN PLUG		X		
8	EAX0039J01A	POWER SUPPLY CABLE	CABLE SECTEUR	CABLE ELÉCTRICO	1	USA 230V		X		
9	2-01429A	CAPACITOR	CONDENSATEUR	CONDENSADOR	1	10µF 400V		X		X
10	2-01529A	CAPACITOR	CONDENSATEUR	CONDENSADOR	1	20µF 400V		X		X
11	5-845	CABLE TIE, PLASTIC	COLLIER EN PLASTIQUE	ABRAZADERA DE PLÁSTICO	3			X		
12	EAA0393G83A	FRAME FOR IBP + EPC	CHASSIS IBP + EPC	BASTIDOR IBP + EPC	1				X	
13	2-23201	FLAT PLUG GROUNDING 4-POL.	CONNECTEUR PLAT TERRE	CONECTOR PLATO M/TIERRA	1			X		

A = available - disponible - disponible

B = on request - sur demande - a petición

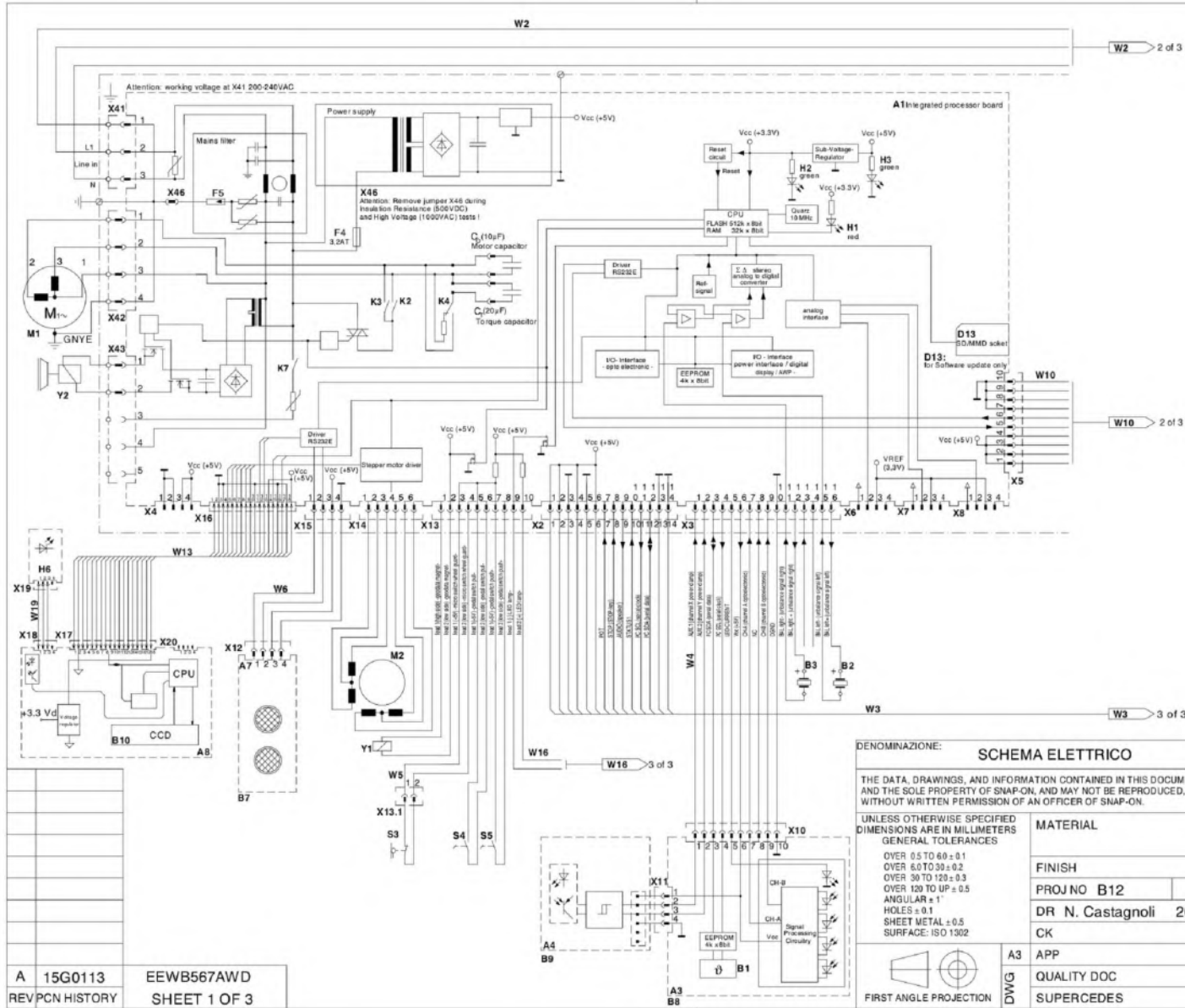
C = suggested - suggeré - sugerido

Pos	Code	Designation	Désignation	Designaciòn	N.	Note	Nota	A	B	C
14	2-64948A	FILTERED INPUT MODULE	MODULE D'ENTRÉE SECTEUR	MÓDULO DE ENTRADA CON FILTRO	1			X		
15	2-13258A	MAIN SWITCH	COMMUTATEUR	INTERRUPTOR	1			X		X
16	EAK0315G59A	KIT FUSES	KIT FUSIBLES	KIT FUSIBLES	1			X		X
17	EAP0290G00A	IBP BOARD	CARTE IBP	TARJETA IBP	1			X		X
18	1-5547	WASHER	RONDELLE	ARANDELA	5	Ø 4,2		X		
19	1-19804	SCREW, PHIL PAN HEAD M4X6	VIS CB	TORNILLO	5			X		
20	2-63348A	OUTLET FOR EXTERNAL MONITOR	PRISE AC	TOMA AC	1	32x45x1		X		
21	2-09632A	PCB SPACER	ENTRETOISE PLATINE	DISTANCIADOR FICHA	4				X	
22	1-20203A	SCREW M3x8	VIS M3x8	TORNILLO M3x8	4	M3X8 ZINC UNI 7688		X		

A = available - disponible - disponible

B = on request - sur demande - a petición

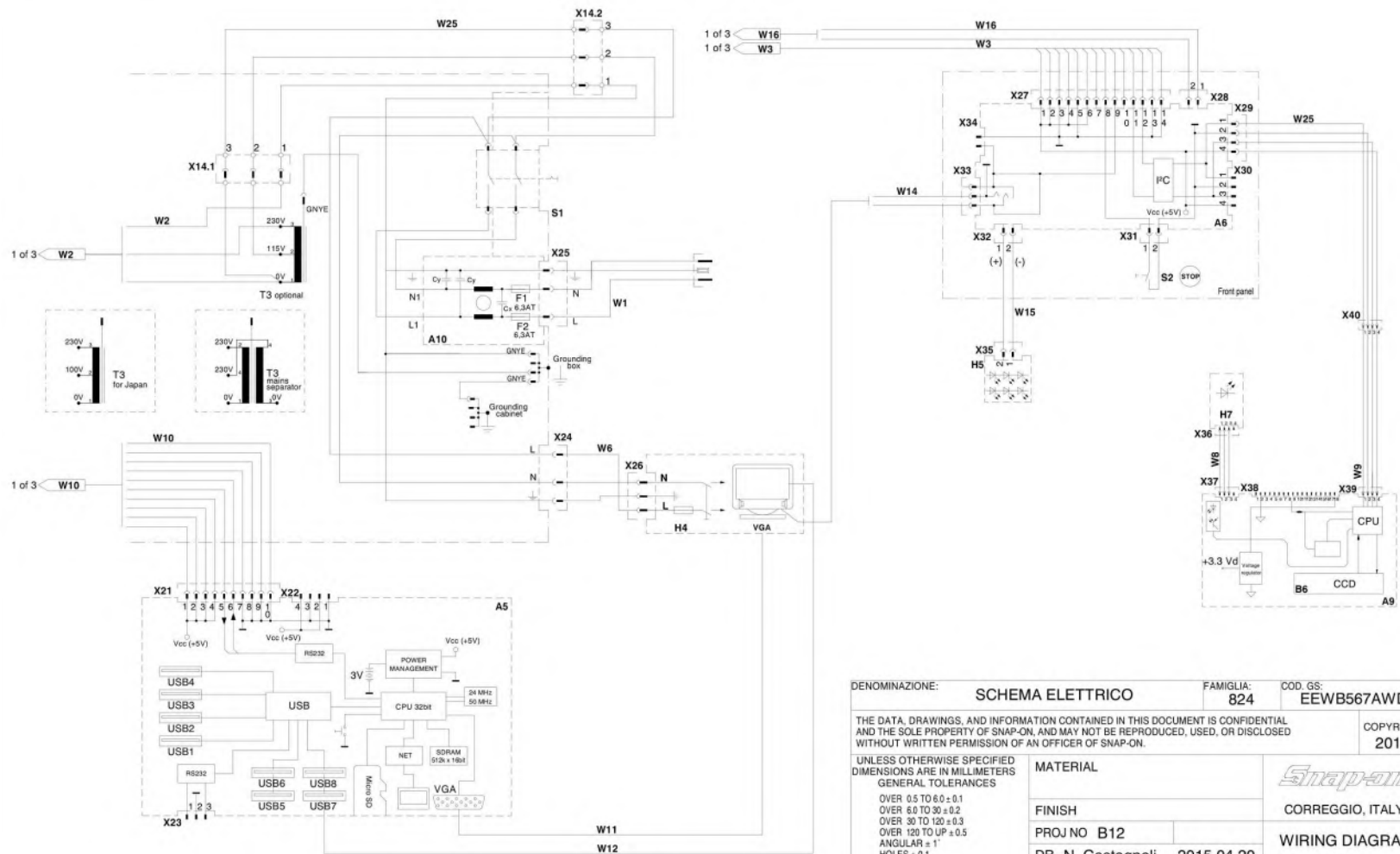
C = suggested - suggeré - sugerido



A 15G0113 EEWB567AWD
 REV/PCN HISTORY SHEET 1 OF 3

DENOMINAZIONE: SCHEMA ELETTRICO		FAMIGLIA: 824	COD. GS: EEWB567AWD
THE DATA, DRAWINGS, AND INFORMATION CONTAINED IN THIS DOCUMENT IS CONFIDENTIAL AND THE SOLE PROPERTY OF SNAP-ON, AND MAY NOT BE REPRODUCED, USED, OR DISCLOSED WITHOUT WRITTEN PERMISSION OF AN OFFICER OF SNAP-ON.			COPYRIGHT 2015
UNLESS OTHERWISE SPECIFIED DIMENSIONS ARE IN MILLIMETERS GENERAL TOLERANCES		MATERIAL	
OVER 0.5 TO 6.0 ± 0.1		CORREGGIO, ITALY	
OVER 6.0 TO 30 ± 0.2		FINISH	
OVER 30 TO 120 ± 0.3		PROJ NO B12	
OVER 120 TO UP ± 0.5		DR N. Castagnoli 2015.04.20	
ANGULAR ± 1°		CK	
HOLES ± 0.1		APP	
SHEET METAL ± 0.5		QUALITY DOC	
SURFACE: ISO 1302		SUPERCEDES	
FIRST ANGLE PROJECTION		RELEASE REV A	
A3 DWG		EEWB567AWD SHEET 1 OF 3	

REV	CHANGED / MODIFIED	DATE	NAME
A	Production release	2015.04.20	N. Castagnoli





DENOMINAZIONE: **SCHEMA ELETTRICO** FAMIGLIA: **824** COD. GS: **EEWB567AWD**

THE DATA, DRAWINGS, AND INFORMATION CONTAINED IN THIS DOCUMENT IS CONFIDENTIAL AND THE SOLE PROPERTY OF SNAP-ON, AND MAY NOT BE REPRODUCED, USED, OR DISCLOSED WITHOUT WRITTEN PERMISSION OF AN OFFICER OF SNAP-ON. COPYRIGHT **2015**

UNLESS OTHERWISE SPECIFIED DIMENSIONS ARE IN MILLIMETERS GENERAL TOLERANCES OVER 0.5 TO 6.0 ± 0.1 OVER 6.0 TO 30 ± 0.2 OVER 30 TO 120 ± 0.3 OVER 120 TO UP ± 0.5 ANGULAR ± 1° HOLES ± 0.1 SHEET METAL ± 0.5 SURFACE: ISO 1302	MATERIAL	<i>Snap-on</i>	
	FINISH		CORREGGIO, ITALY
	PROJ NO B12	2015.04.20	WIRING DIAGRAM
	DR N. Castagnoli		
CK			

FIRST ANGLE PROJECTION	A3	APP	RELEASE	REV A
	DWG	QUALITY DOC	EEWB567AWD	
		SUPERCEDES	SHEET 2 OF 3	

A1	Integrated processor board	M1	Motor
A2	Wheel lift board	M2	Scanner stepper motor
A3	Opto electronic board	M3	Lift motor
A4	Encoder board	S1	Main switch
A5	Embedded PC unit	S2	STOP push button
A6	IBP2 interface board	S3	Wheel guard switch
A7	Sonar board	S4	Pedal switches
A8	Scanner board	S5	Pedal switches
A9	Rear scanner board	S6	Upper end-stop switch
A10	Power supply module	S7	Lower end-stop switch
B1	Temperature sensor	S8	Feet safety end-stop switch
B2	Piezzo rear	T3	Transformer
B3	Piezzo front	W1	Power cord
B6	Rear CCD sensor	W2	Autotransformer cables
B7	Ultrasonic sensor	W3	Cable ribbon front panel
B8	Incremental encoder main shaft	W4	Wibratory system harness
B9	Incremental encoder power clamp	W5	Wheelguard extension wire
B10	CCD sensor	W6	Mains cord monitor
Co	Motor capacitor 10uF	W7	Sonar cable
CT	Torque capacitor 20uF	W8	Cable for rear laser module
D13	Software update soket	W9	Rear scanner cable
F1	Miniature fuse 6.3AT	W10	Cable connection assembly Embedded PC
F2	Miniature fuse 6.3AT	W11	VGA monitor cable
F4	Miniature fuse 3.2AT	W12	Touch screen cable
F5	Discharger	W13	Scanner flat cable
H1	Red LED	W14	Audio cable
H2	Green LED	W15	LED lamp cable
H3	Green service LED	W16	Lamp cable command
H4	16:9 LCD Monitor	W19	Cable for laser module
H5	LED lamp	W20	Cable for lift motor
H6	Laser module	W22	Cable extension for safety switches
H7	Rear laser module	W23	Cable extension for lift command
K2	Forward run relay	W24	Cable extension for lift handle
K3	Reverse run relay	W25	Rear scanner extension cable
K4	Torque capacitor CT relay	Y1	Electromagnet geodata
K7	Inner rim side lighting relay	Y2	Electromagnetic brake (30Nm)
K8	Safety wheel lift relay		
K9	Auxiliary relay		

DENOMINAZIONE:		SCHEMA ELETTRICO		FAMIGLIA:	824	COD. GS:	EEWB567AWD
THE DATA, DRAWINGS, AND INFORMATION CONTAINED IN THIS DOCUMENT IS CONFIDENTIAL AND THE SOLE PROPERTY OF SNAP-ON, AND MAY NOT BE REPRODUCED, USED, OR DISCLOSED WITHOUT WRITTEN PERMISSION OF AN OFFICER OF SNAP-ON.							COPYRIGHT 2015
UNLESS OTHERWISE SPECIFIED DIMENSIONS ARE IN MILLIMETERS GENERAL TOLERANCES		MATERIAL		 CORREGGIO, ITALY			
OVER 0.5 TO 6.0 ± 0.1 OVER 6.0 TO 30 ± 0.2 OVER 30 TO 120 ± 0.3 OVER 120 TO UP ± 0.5 ANGULAR ± 1° HOLES ± 0.1 SHEET METAL ± 0.5 SURFACE: ISO 1302		FINISH					
		PROJ NO B12		WIRING DIAGRAM			
		DR N. Castagnoli 2015.04.20					
		CK					
 FIRST ANGLE PROJECTION		A3		APP		RELEASE	
		DWG		QUALITY DOC		EEWB567AWD	
				SUPERCEDES		SHEET 3 OF 3	

Notice: The information contained in this document is subject to change without notice. **Snap-on Equipment** makes no warranty with regard to present documentation. **Snap-on Equipment** shall not be liable for errors contained herein or for incidental consequential damages in connection with furnishings, performance, or use of this material.

This document contains proprietary information which is protected by copyright and patents. All rights are reserved. No part of this document may be photocopied, reproduced, or translated without prior written consent of Snapon Equipment.

- Manufacturing Facilities -
· **Snap-on Equipment SrL · Via Per Carpi 33 - 42015 Correggio RE - Italy ·**
· **Snap-on Equipment · 309 Exchange Avenue Conway, Arkansas 72032 ·**
- Technical alterations reserved - Refer to the data plates for effective manufacturing location -