

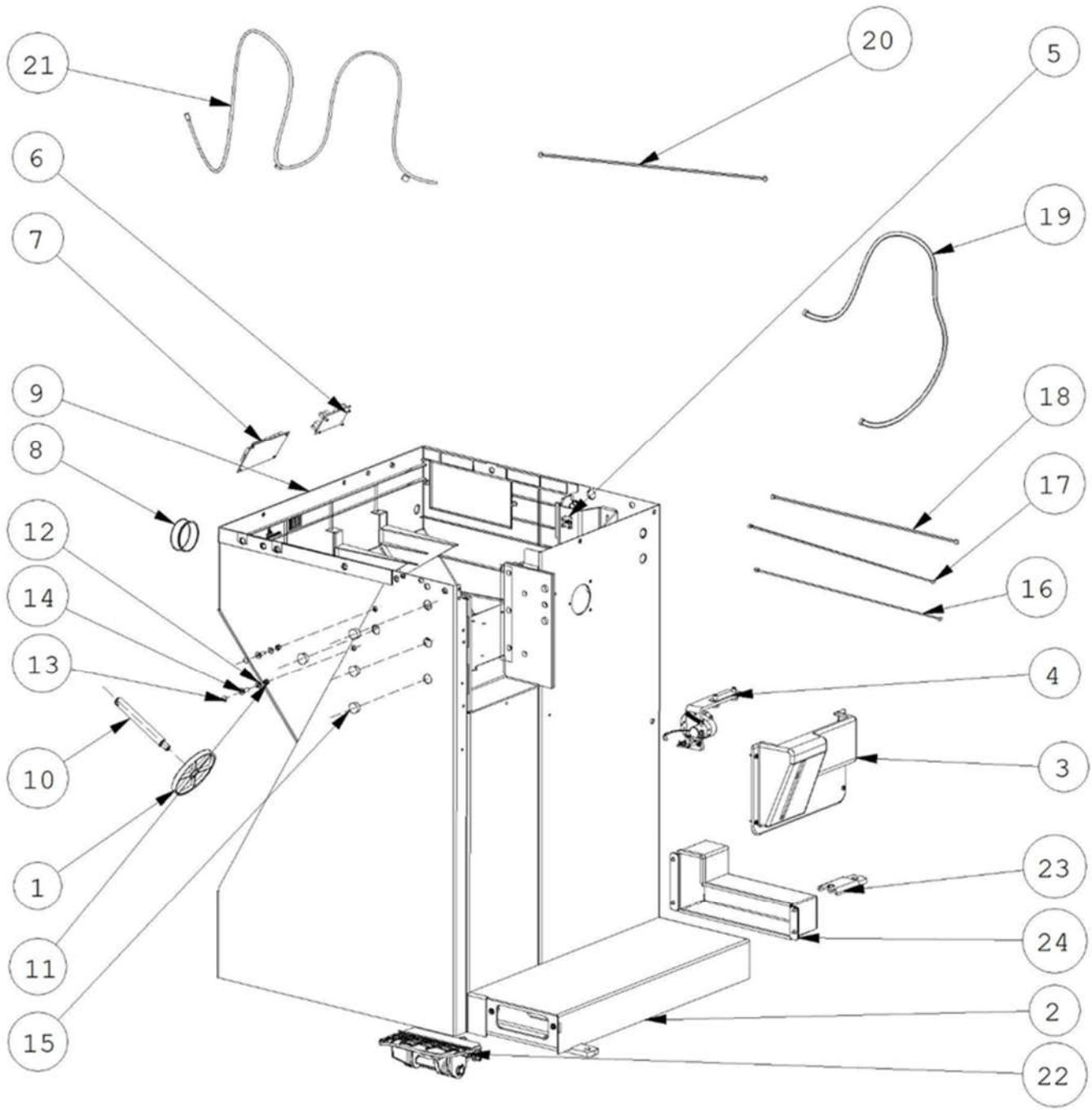
# ***JohnBean***

**EEWB582AP230  
B2000P AUTOMATIC  
3D DIAGNOSTIC WHEEL BALANCER**

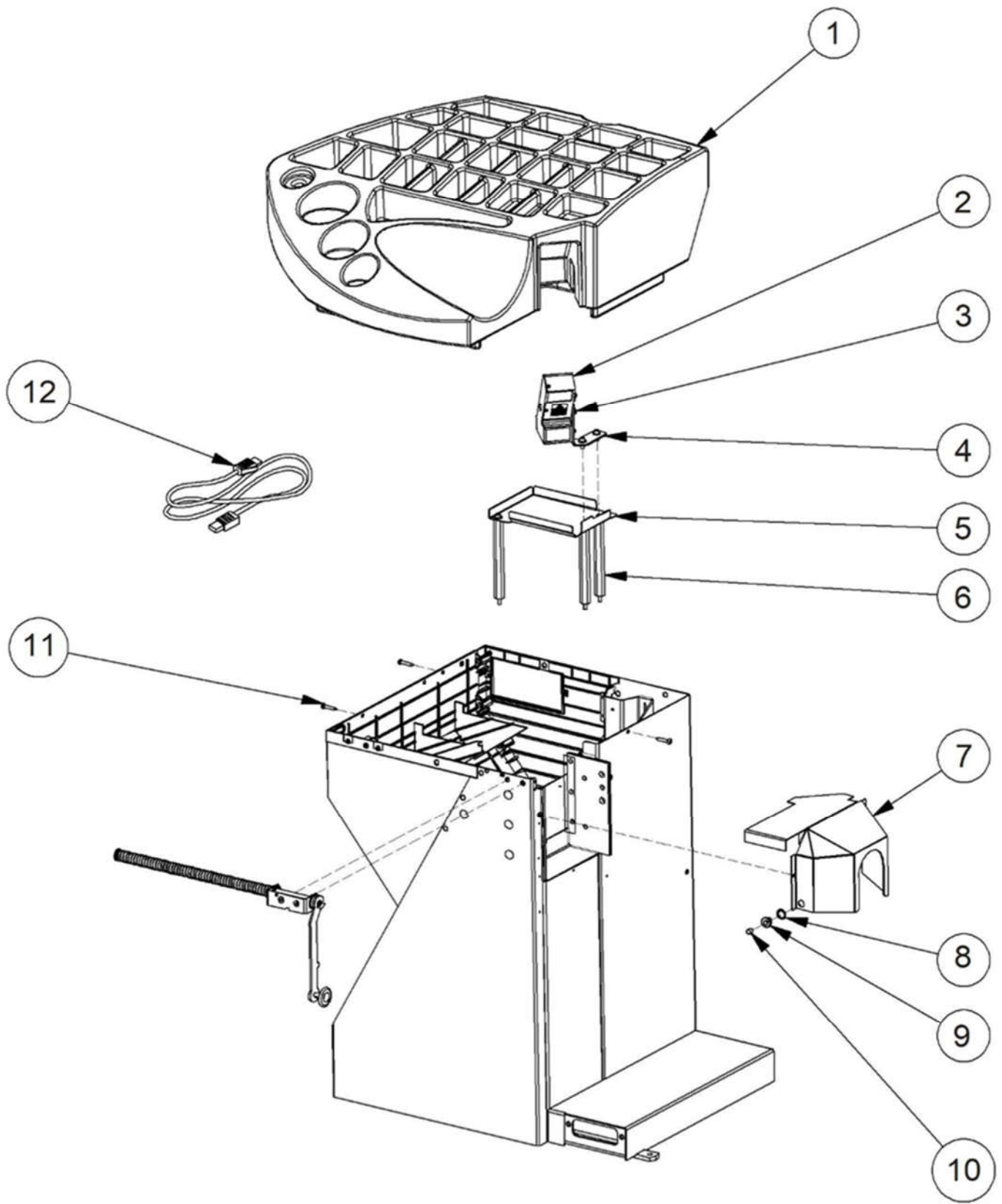


**PARTS MANUAL**

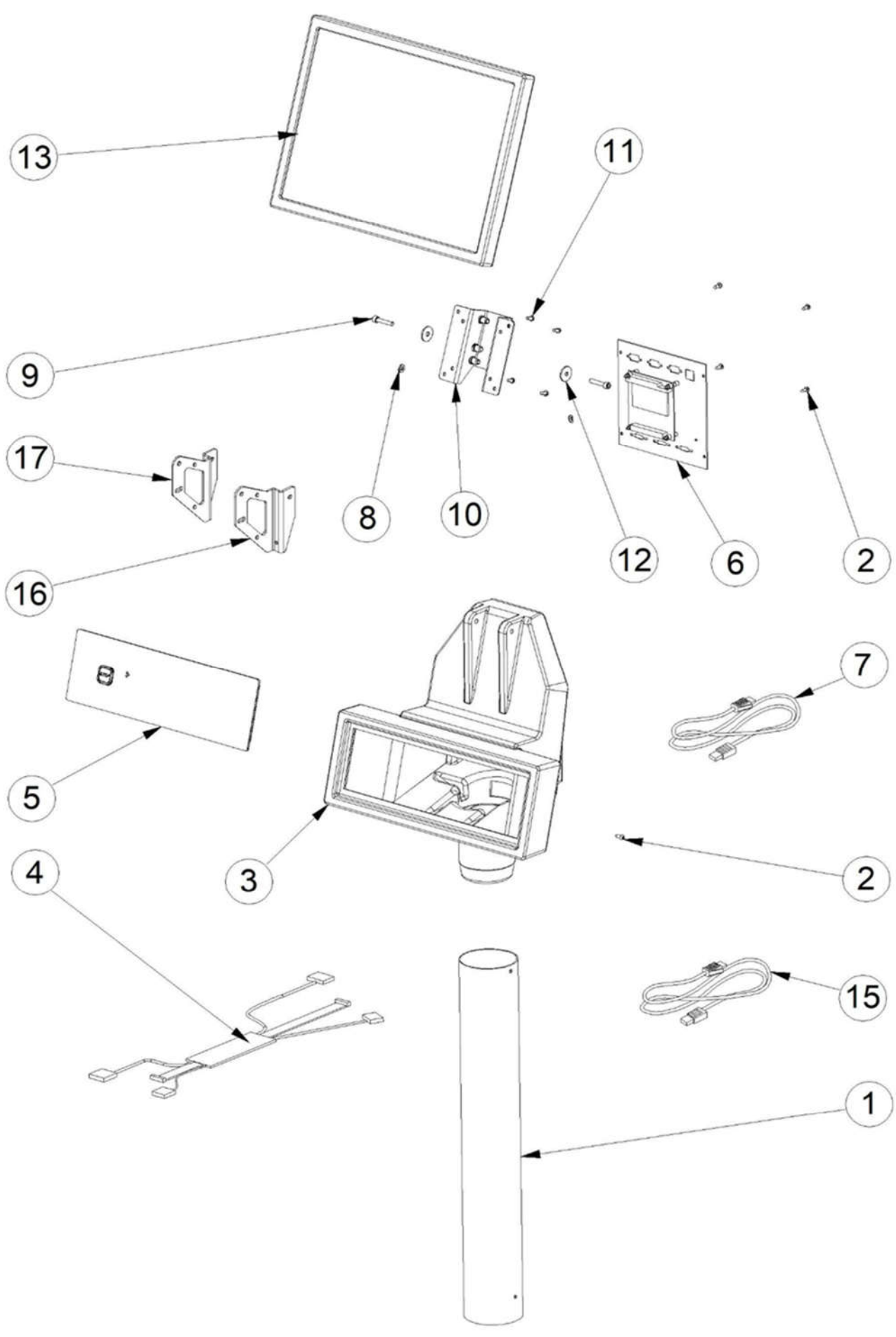
<b>PART NUMBER</b>	<b>DESCRIPTION</b>
EAA0423J21A	ASSY - B2000P 230V
EAK0309J30A	CR MONT 19IN W/TOUCHSCR UL-KIT
EAX0039J01A	CORD POWER, 230V
ZEEWB582AU9	TECH DOCUMENTATION B2000P NA
89209000	CORD-POWER ADAPTER 12
EAC0058D68A	SPACER, 29660
EAA0283D11A	CLAMPNG DEVICE.FOR P-V-4028574
EAM0003J69A	CONE (3.42 - 5.25)
EAK0221J92A	KIT-PRINTER M2 CABINET
EAL0420J51A	MODEL DECAL B2000P
EAL0341J63A	LABEL-PATENT
EAL0341J56A	LABEL-LASER
EAL0341J57A	LABEL-CAUTION
EAL0420J33A	LABEL-CAUTION MAX WHEEL DIA
EAC0105J41A	NAMEPLATE-JOHN BEAN TM
EAL0341J70A	LABEL-LASER APERTURE
EAL0341J71A	LABEL-CFR CERTIFICATION
EAL0392J89A	LABEL-CUST SVC JBC
EAL0341J96A	LABEL-BALANCER WARNING REAR
EAL0341J97A	LABEL-BALANCER WARNING SIDE
EAL0343J76B	SERIAL LABEL DOCUMENT
EAL0349G87A	LABEL-WHEEL #1
EAL0349G88A	LABEL-WHEEL #2
EAL0349G89A	LABEL-WHEEL #3
EAL0349G90A	LABEL-WHEEL #4
EAL0349G91A	LABEL-WHEEL #5
EAL0412G63A	LABEL-2M CLASS LASER 36018



REF	QTY	PART NUMBER	DESCRIPTION
1	4	EAC0060G02A	FLANGES PROTECTION
2	1	EAS2101G17A	CABINET M2 RAL 3000
3	1	EAA0358G03A	LASER POINTER PROTECTION
4	1	EAA0358G04A	LASER POINTER UNIT
5	1	2-23201	FLAT PLUG GROUNDING 4-POL.
6	1	2-92966A	12V POWER SUPPLY
7	1	EAP0271G60C	CAMERA AND HUB USB BOARD
8	1	1-10576A	BLACK COV. CAP FOR SHEETMETAL
9	1	EAC0100G63A	PLASTIC COVER ASSY M2
10	4	EAM0006G01A	FLANGE HOLDER PIN
11	2	1-11533	HEX NUT M5 8 A2J DIN934
12	2	2863869	WASHER D.5
13	2	1-10476A	BLACK CAP FOR SCREWS M5
14	2	1-25503A	SCREW TSEI
15	4	EAC0060G00A	CAP
16	1	EAW0276G28A	LASER POINTER EXTENSION WIRE
17	1	EAW0276G29A	STEPPER MOTOR CABLE
18	1	EAW0276G22A	SHORT STOP CABLE
19	1	EAW0276G51A	AWP ENCODER CABLE FOR BFH
20	1	EAW0283G64A	SHORT POWER CABLE CAMERA EPC ASSEMBLY
21	1	EAW0277G05A	MONITOR AND SWITCHING POWER SUPPLY CABLE
22	1	EAA0409G98A	ALU BRAKE PEDAL 2 SWICTHES
22	1	EAA0503G90B	UL BRAKE PEDAL FOR M CABINET
23	1	EAS2246G63A	FOOT EXTENSION FOR M2 CABINET
24	1	EAA0503G90A	UL BRAKE PEDAL FOR M CABINET

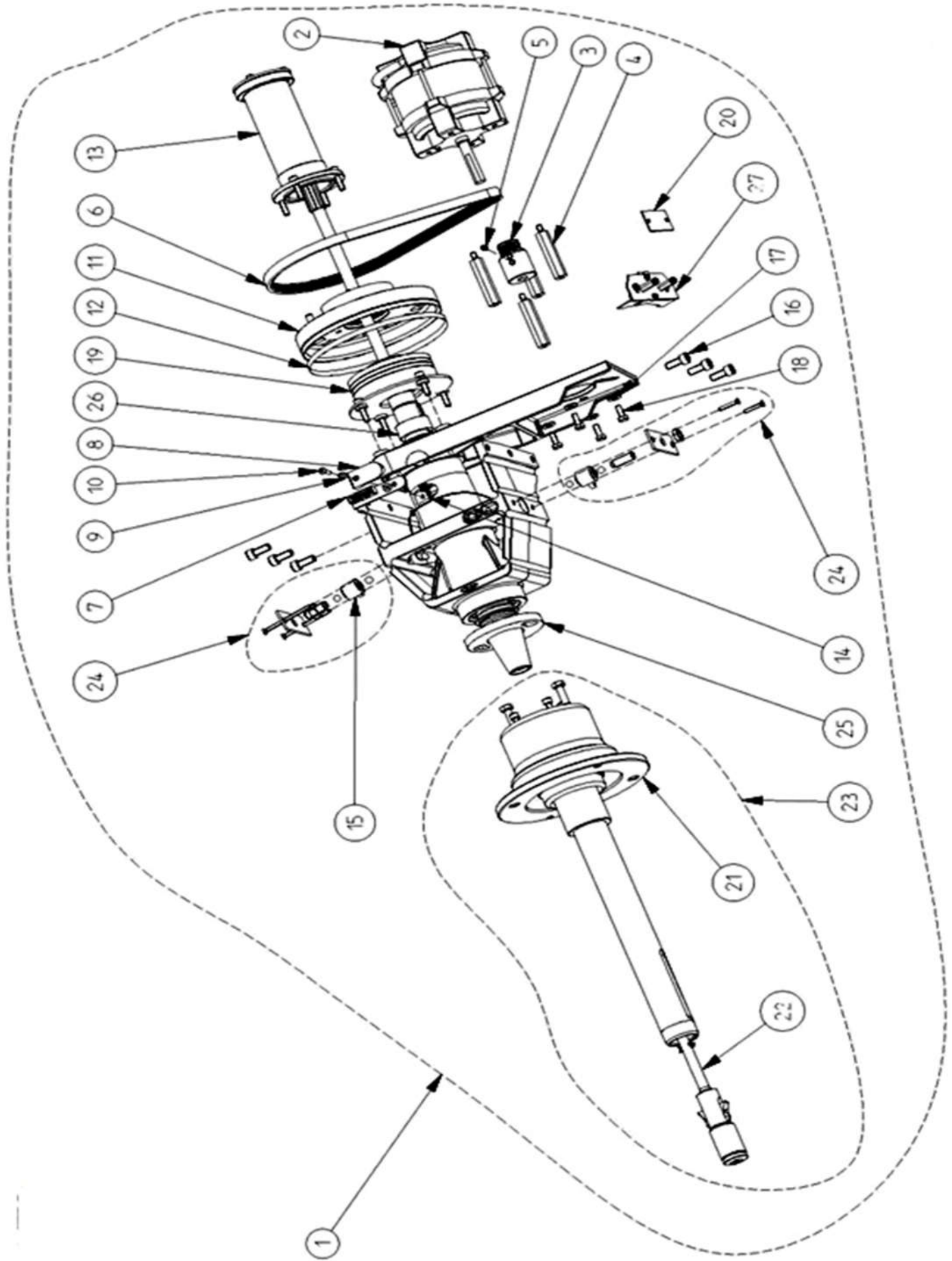


REF	QTY	PART NUMBER	DESCRIPTION
1	1	EAM0091G55A	BFH WEIGHT TRAY
2	1	EAA0345G77A	SHEET OF LIGHT MODULE COMPLETE
3	1	5-07945A	CABLE STOP
4	1	EAS2134G92A	INTERNAL CAMERA SUPPORT
5	1	EAA0384G68A	INTERNAL PROTECTIVE PLATE
6	2	EAM0081G43A	HEXAGONAL SPACER
7	1	EAS2112G67A	BFH MEASUREMENT UNIT COVER
8	1	1-17777A	SELF-RETAINING RING
9	1	EAM0042G55A	MAGNET BUSHING
10	1	EAC0060G57A	MAGNET
11	3	1-19623A	SCREW, PHILL PAN HEAD TAPPING
12	1	6-11822A	CABLE USB 2 A-MINIB
13	1	EAS2134G93A	PROTECTION FOR INNER CAMERA
14	1	EAM0071G44A	HEXAGONAL SPACER

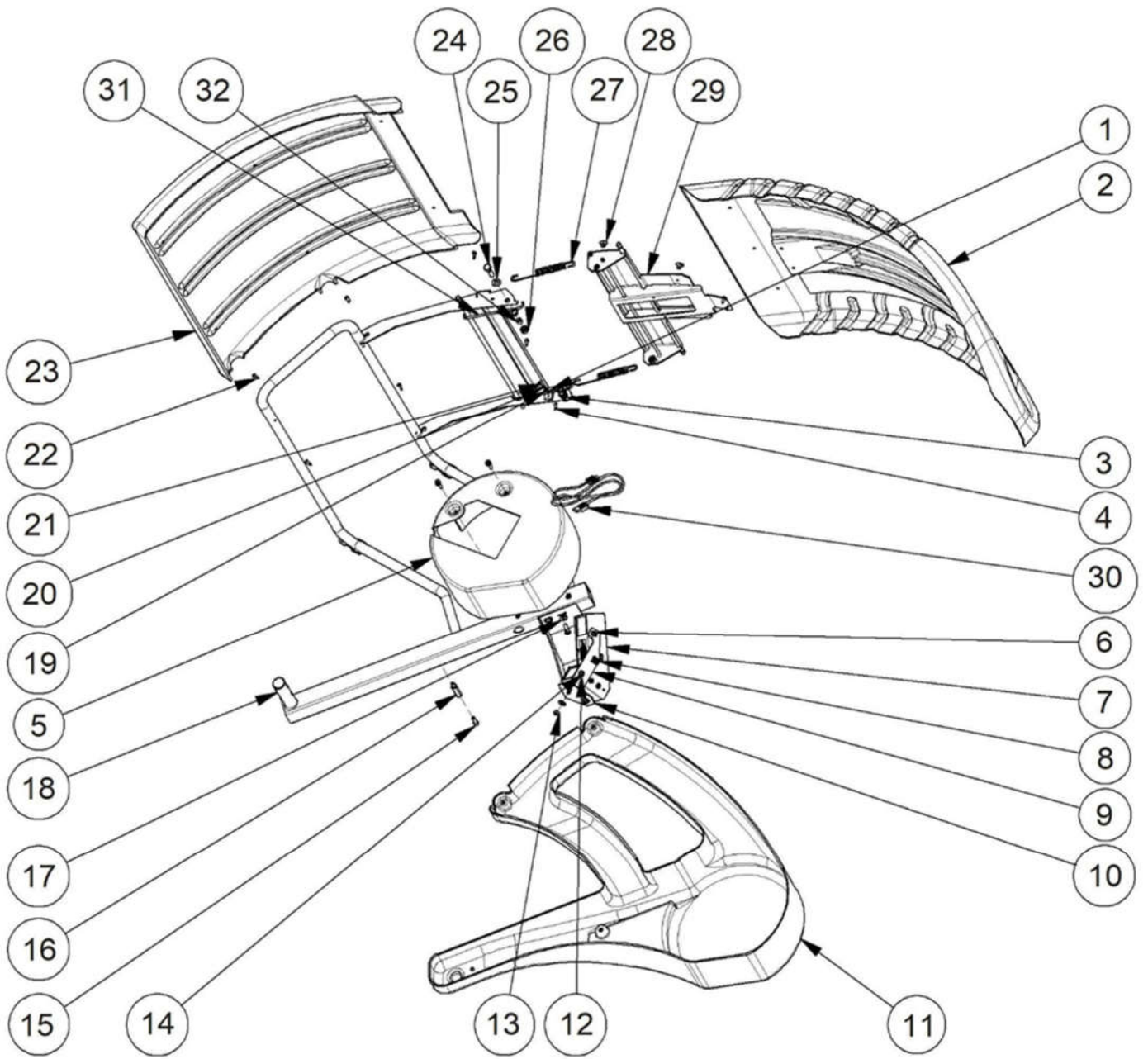


REF	QTY	PART NUMBER	DESCRIPTION
1	1	EAM0053G56A	MONITOR SUPPORT PIPE
2	6	1-20423	SELF TAPPING SCREW D4,2X13
3	1	EAC0103G06A	STIFFENED MONITOR SUPPORT
4	1	EAW0282G67A	BFH WIRING
5	1	EAA0378G81A	KEYPAD
6	1	EAA0457G71A	EMBEDDED PC
7	1	6-09922A	FTP PATCH CABLE
8	2	1-2746	WASHER - GROWER
9	2	1-16609A	SCREW TCEI
10	1	EAA0345G43A	VESA COUPLING UNIT
11	4	1-13204A	SCREW, OVAL HEAD
12	2	1-22941A	WASHER
13	1	EAK0309J50A	21,5" WIDE LCD MONITOR TOUCHSCREEN UL
13	1	EAK0309J30A	19" WIDE LCD MONITOR TOUCHSCREEN - UL
15	1	6-02422A	CABLE USB 2 A-B
16	1	EAS2133G18A	TOUCHSCREEN SUPPORT RIGHT EXTENSION
17	1	EAS2133G20A	TOUCHSCREEN SUPPORT LEFT EXTENSION

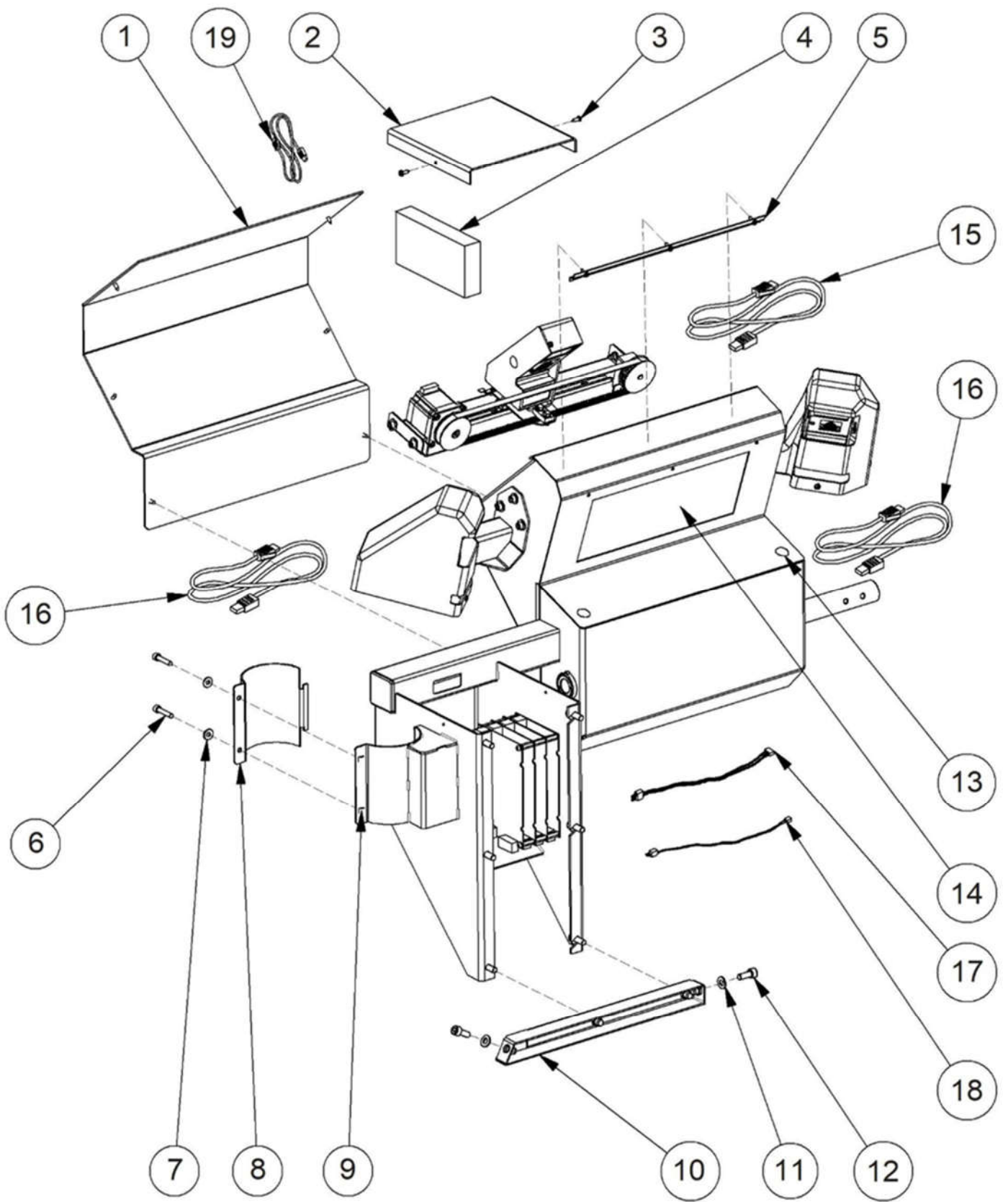




REF#	QTY	PART NUMBER	DESCRIPTION
1	1	EAA0392G39A	ALU UL MEASUREMENT UNIT
2	1	2-59366A	UL MOTOR INCL. CONNECTOR Y2K
3	1	EAM0005D08A	MOTOR PULLEY
4	4	EAM0061G82A	UNIT MOTOR SPACER
5	1	1-28410	SCREW
6	1	8-3531	BELT 5PJ711
7	1	EAA0344G00A	OPTO-ELECTRONIC UNIT
8	1	EAC0094G11A	ENCODER BOARD PROTECTION
9	1	1-9641	WASHER
10	1	1-35006A	SCREW
11	1	EAM0021D18A	MOTOR PULLEY
12	1	EAM0005D64A	ENCODER BAR CODE
13	1	EAA0307G36A	REPLACEMENT KIT "P"
14	1	EAW0240G67A	CABLE WITHOUT TEMP. SENSOR
15	2	EAA0260D59A	TRANSDUCER
16	6	1-17709	SCREW TCEI 8X20 8G
17	4	1-16641	WASHER PLAIN
18	4	1-46701A	HEX HEAD SCREW
19	1	EAA0383G85A	BRAKE DISC REPAIR KIT
20	1	EAP0201D20A	ENCODER BOARD COMPLETE
21	1	EAA0382G01A	POWER CLAMP FLANGE L
22	1	EAA0382G02A	PULL-SHAFT COMPLETE L
23	1	EAA0384G71A	P-CLAMP FLANGE COMPLETE
24	1	EAA0328G16A	TRANSDUCER FIXING UNIT
		8-1144	STEEL BALL 8 M
		1-6568	COMPRESSION SPRING 1.6 X 10 X 58.5
		EAM0005D07A	SETSCREW HEX SOCKET M10X1X29
		1-04634A	NUT HEX LOW M10X1 8-A2J ISO 8675 EN 28675
		1-17403	SCREW HEX SOCKET COUNT.H M4X25 8.8-A2J
		1-19903A	SCREW HEX SOCKET COUNT.H M4X65 8.8-A2J
		1-11833	HEXAGON NUT B M10 X 1 -8-A2J
25	1	EAA0307G37A	BAYONET FITTING
26	1	EAM0051G25A	POWER CLAMP SPACER RING
27	1	EAK0329G15A	BOARD SUPPORT KIT



REF	QTY	PART NUMBER	DESCRIPTION
1	1	EAA0362G81A	WHEELGUARD 2ND MICROSWITCH
2	1	EAM0075G17A	STIFFENED BFH WHEELGUARD
3	2	1-23041A	SHIM ADJUSTMENT WASHER
4	1	EAM0046G40A	SPACER
5	1	EAC0100G29A	BFH EXTERNAL CAMERA PROTECTION
6	2	1-16441	WASHER PLAIN
7	1	EAA0345G77A	SHEET OF LIGHT MODULE COMPLETE
8	1	5-07945A	CABLE STOP
9	1	EAS2112G50A	COMPLETE INTERMEDIATE SUPPORT
10	1	EAS2116G00A	BFH EXTERNAL CAMERA SUPPORT UNIT
11	1	EAC0100G28A	BFH WHEELGUARD PART 3
12	3	1-1348	WASHER - D.4
13	2	1-9933	NUT, PREVAILING TORQUE M6
14	3	1-24606A	SCREW
15	8	1-16309	SCREW HEX SOCKET M 6X16
16	1	1-01915A	HEXAGONAL SPACER
17	4	1-16641A	WASHER PLAIN
18	1	EAS2112G86A	WHEELGUARD BFH FRAME UNIT PART 1
19	2	1-9341	WASHER
20	2	1-1048	TOOTHED WASHER
21	2	1-9804	PHILLIPS HEAD SCREW
22	8	1-22623A	SCREW, PHIL PAN H.TAPP.
23	1	EAC0099G58A	BFH WHEELGUARD PART 1
24	2	1-54301A	SCREW
25	2	1-10041	WASHER D.8
26	2	1-10033	HEX NUT PREVAILING TORQUE M8
27	2	1-07367A	TENSION SPRING
28	5	1-18158A	RIVET
29	1	EAS2112G85A	WHEELGUARD BFH FRAME UNIT PART 2
30	1	6-11922A	CABLE USB 2 A-MINIB
31	2	EAM0076G36A	TORSION SPRING
32	2	1-13565A	BUSHING



REF	QTY	PART NUMBER	DESCRIPTION
1	1	EAC0099G44A	BFH REAR CAMERA COVER
2	1	EAS2112G68A	BFH BACK PACK COVER
3	11	1-22623A	SCREW, PHIL PAN H.TAPP.
4	1	3-05209A	SWITCH ETHERNET 10/100
5	1	EAS2112G87A	PAINTED GLASS SUPPORT
6	2	1-16609A	SCREW TCEI
7	2	1-16641A	WASHER PLAIN
8	1	EAS2097G87A	REMOVABLE FLANGE
9	2	1-15677A	CAGENUT
10	1	EAS2112G69A	CABINET STIFFENING UNIT
11	2	1-10041	WASHER D.8
12	2	1-17709	SCREW TCEI 8X20 8G
13	2	EAC0060G00A	VIBRATORY SYSTEM HOLES CUP
14	1	EAM0071G59A	GLASS FOR REAR CAMERA
15	1	6-11922A	CABLE USB 2 A-MINIB
16	2	6-11822A	CABLE USB 2 A-MINIB
17	1	EAW0276G24A	STEPPER MOTOR CABLE
18	1	EAW0240G86A	STOP CABLE
19		6-15422A	NETWORK PATCH CABLE



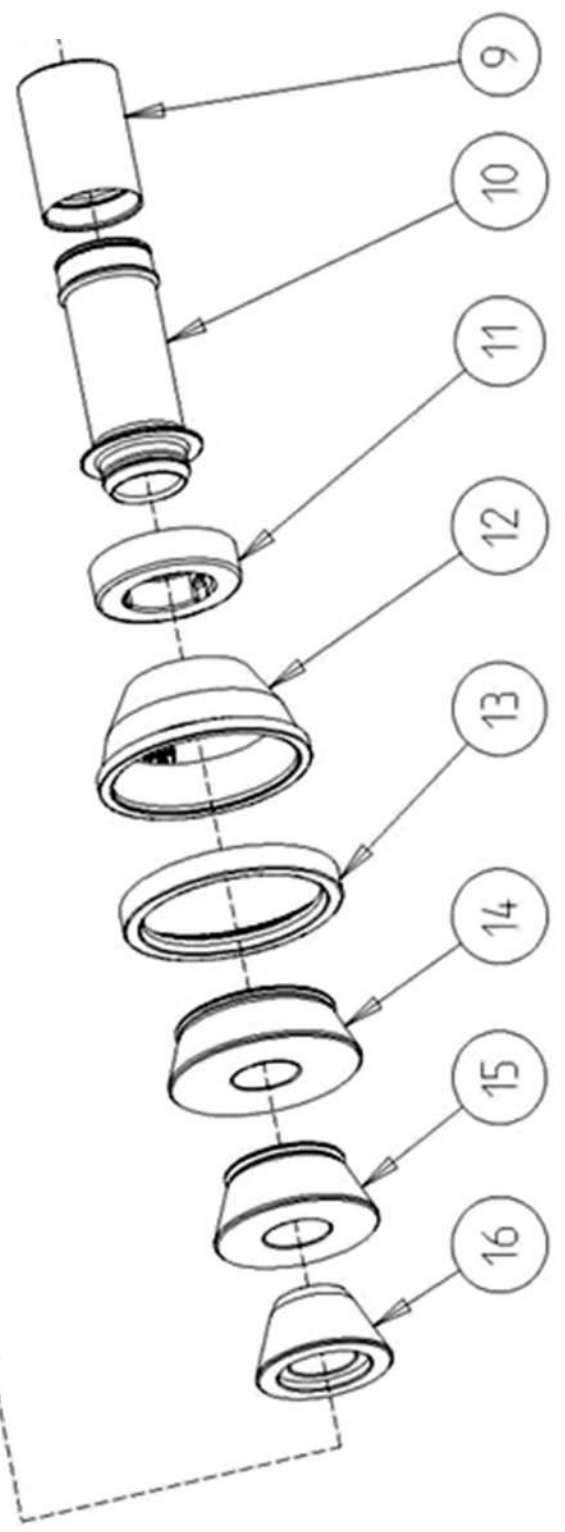
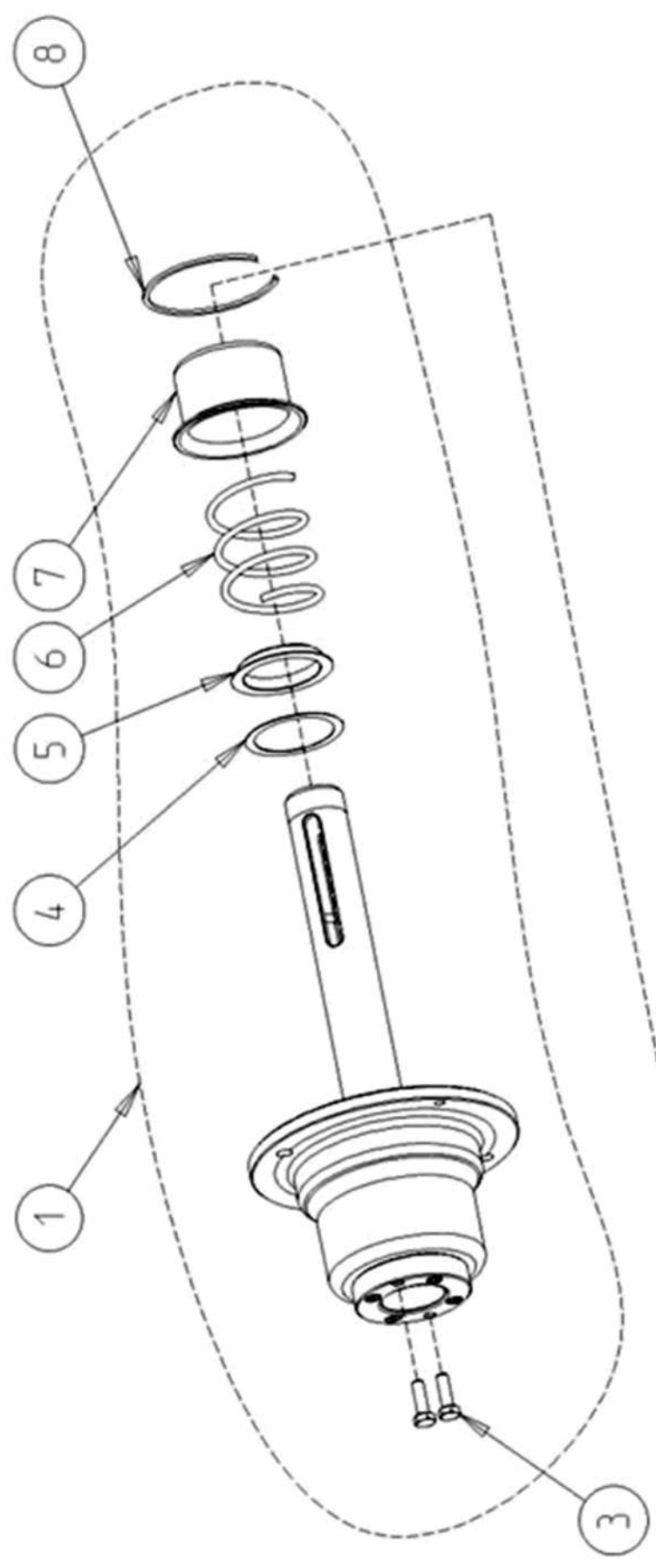


REF#	QTY	PART NUMBER	DESCRIPTION
N/S	1	EAA0409G98AC	ALU BRAKE PEDAL 2 SWT UL VER
1	2	EAM0181G49A	BUSHING DBLE SHOULDER 12X14X15
2	2	EAM0181G04A	SPACER WITH FLANGE 8.4
3	1	EAM0048G78A	QR SPRNG PDL SWITCH(0016103)
4	1	1-12068A	SPRING COMPRESSION
5	1	2-07661A	MICRO SWITCH-25709 (H4402111)
6	1	1-20041A	WASHER - FLAT M6.4X18X1.6
7	1	EAM0046G39A	PIN PEDAL
8	1	EAM0051G96A	BUSHING CENT SPRING BR-0031787
9	1	EAL0443G72A	PEDAL PROTECTION ADHISIVE
10	1	EAA0344G15A	QR CABLE-BRAKE PEDAL 0032324
22	1	EAM0122G48A	PEDAL MACHINED UL-22305
23	2	EAM0181G72A	SUPPORT BRAKE PEDAL
24	1	EAS2128J78A	MICROSWITCH SUPPORT
25	1	EAM0153G24A	ACTUATOR POWER CLAMP
26	1	EAS2128J75A	CABLE STOP
27	1	1-1048	WASHER-EXT M2 SHAKEPROOF
11	1	1-10165A	BUSHING SELF TP 1210-P10 34711
12	1	1-11633	NUT M6 X 5, 2MM THK BLK
13	1	1-11433	NUT-M4 HEX DIN 934
14	1	1-22741A	WASHER PLAIN 7021122
15	1	1-36741A	SHIM RING
16	1	1-18477A	RETAINING RING(ST7022039)
17	1	1-26506A	SCREW-PHMS M4 X 25
18	1	1-20504A	SCREW-TCB CROSS 3X7
19	1	1-22623A	SCREW-PH PN H TAP 3.9X13 A2J C
20	1	EAM0153G23A	PIN ACTUATOR POWER CLAMP
21	1	EAM0103G42A	SPACER FOR BRAKE CABLE
28	1	1-11033	NUT-M2 HEX
29	1	1-36606A	SCREW-PHIL PAN M2-16
30	1	1-11533A	NUT-M5 HEX BLK
31	1	1-36641A	WASHER SPHERICAL M6 D
32	1	1-36141A	WASHER SPHERICAL M6 C
33	1	EAM0140G21A	BUSHING THREADED

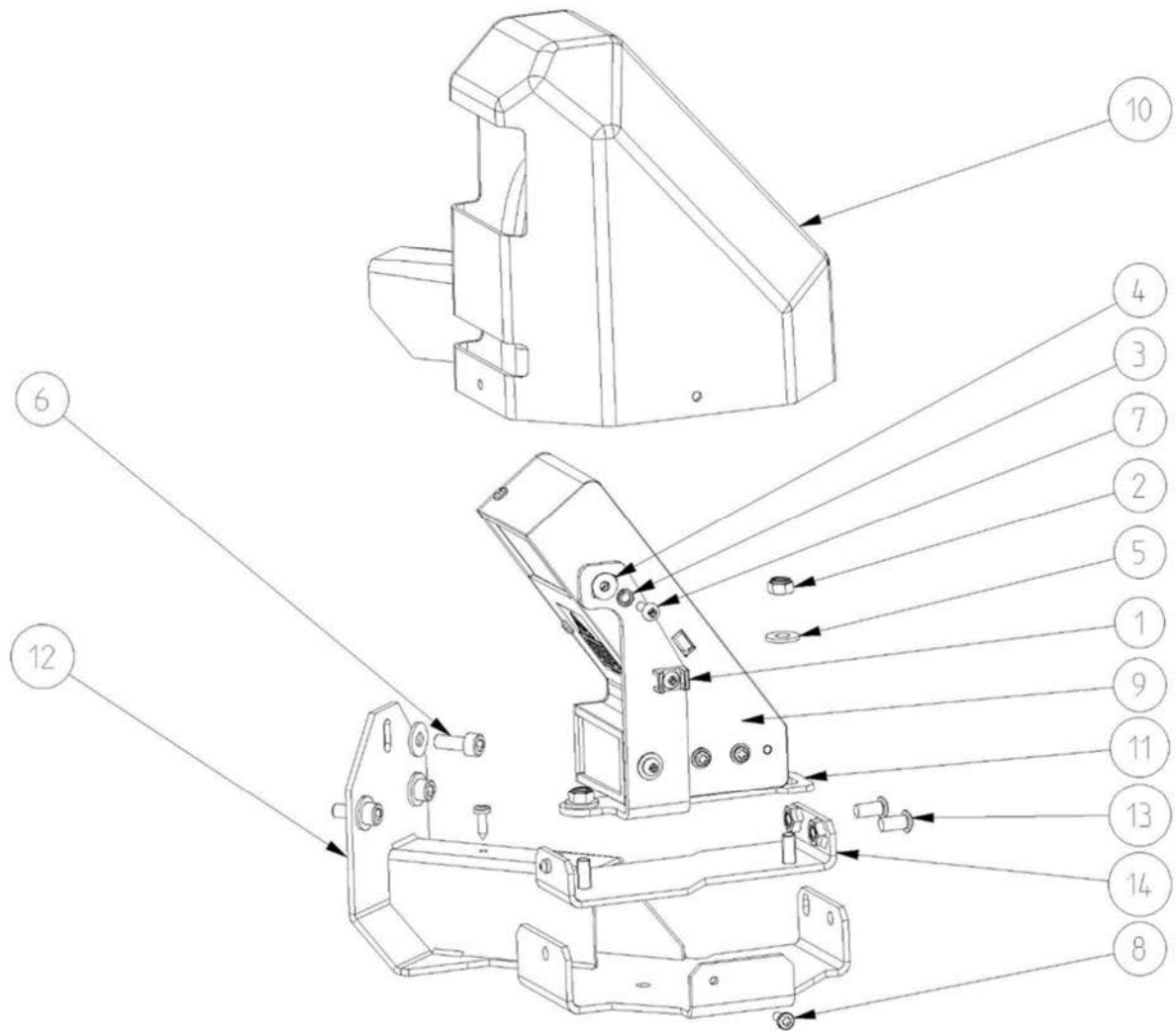




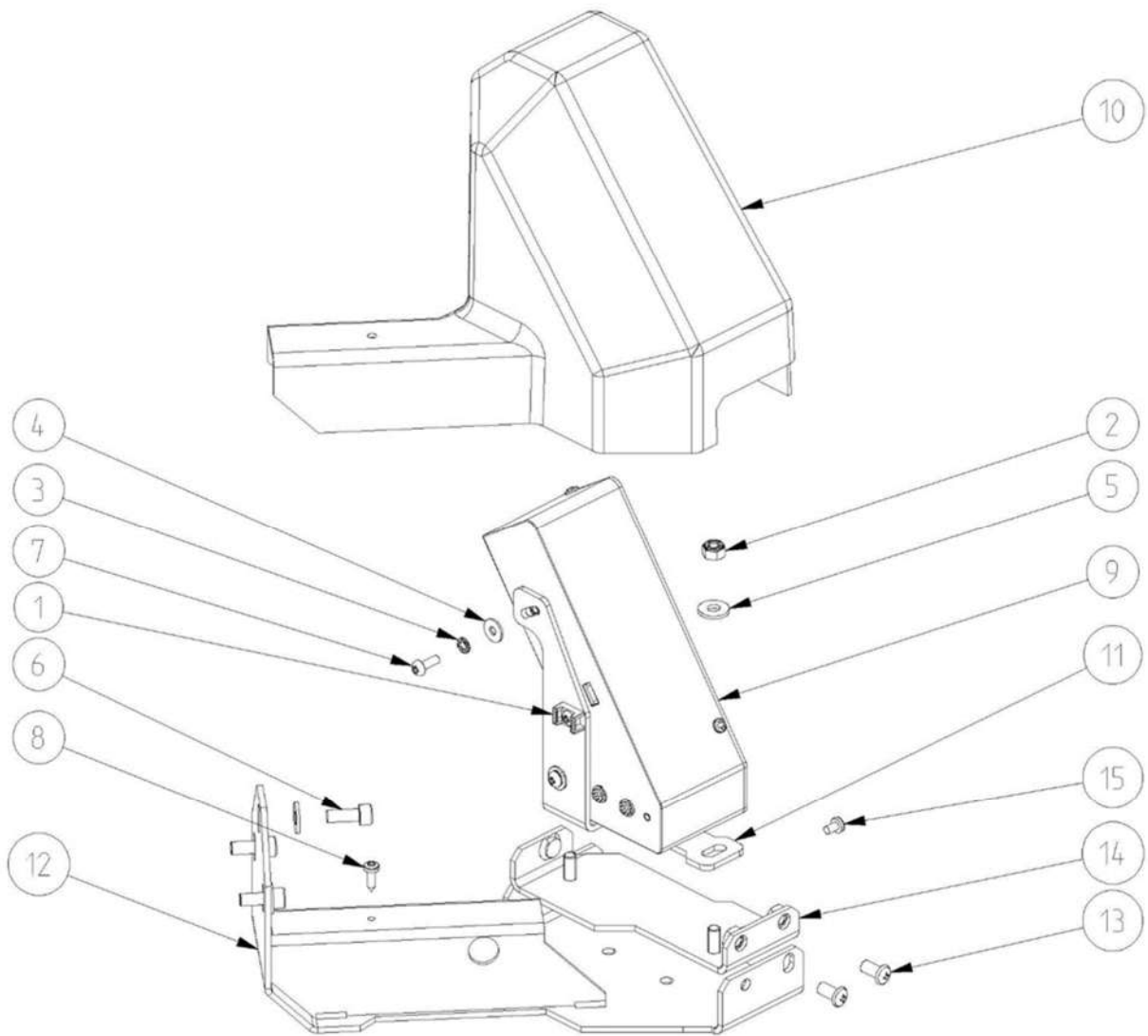
REF#	QTY	PART NUMBER	DESCRIPTION
N/S	1	EAA0503G90B	UL BRAKE PEDAL FOR M CABINET
1	1	1-11963A	ROD END SELF LUBRICATING
2	1	2-13658A	JOYSTICK, 2 POSITIONS, 48MM SH
3	1	1-11633A	NUT-M6 X 5.2 BLK
4	1	1-9933	NUT-M6 ZINC 7020339
5	1	1-9841	WASHER-PLAIN 6MM/SAME AS4-6641
6	1	-9641	WASHER PLAIN -7021232/1641040
7	1	1-16641	WASHER-FLAT M6
8	1	1-18477A	RETAINING RING(ST7022039)
9	1	1-16409	ALLEN SCREW, M6 X 20
10	1	1-16409A	SCREW TCEI 6 X 20 8G
11	1	1-16509A1	SCREW - ALLEN 6X25 8G
12	1	1-18023A	SELF TAPPING M4.2X16 PNH
13	1	1-38610	SCREW-SET M4 X 7MM X 4MM CP PT
14	1	EAA0503G89A	ALU BRAKE PDEAL UL VERSION
	1	EAM0048G78A	QR SPRNG PDL SWITCH(0016103)
	1	EAM0046G39A	PIN PEDAL
	1	EAM0051G96A	BUSHING CENT SPRINGBR-0031787
	4	1-10165A	BUSHING SELF TP 1210-P10 34711
	1	1-11433	NUT-M4 HEX DIN 934
	1	1-22741A	WASHER PLAIN 7021122
	2	1-18477A	RETAINING RING(ST7022039)
	1	1-26506A	SCREW-PHMS M4 X 25
	1	1-20203A	SCREW M3 X 8 FLAT HEAD
	1	EAL0443G72A	PEDAL PROTECTION ADHISIVE
	1	EAM0180G23A	PEDAL MACHINED UL
	1	EAM0181G04A	SPACER WITH FLANGE 8.4
	1	EAM0181G44A	SUPPORT BRAKE PEDAL FINISHED
	1	EAM0181G49A	BUSHING DBLE SHOULDER 12X14X15
15	1	EAA0508G23B	SHAFT SUPPORT ASSY
	2	1-17365A	BUSHING BRONZE DIN 1850
	2	1-22052A	PIN-DOWEL (3 X 16 MM)7040219
	4	1-23603A	SCREW M6 X 20 COUNTERSINK
	2	EAM0209G70A	SHAFT SUPPORT
	1	EAM0209G71A	BASE SHAFT SUPPORT
16	1	EAM0179G21B	BAR PULLING LOW M CABINET
17	1	EAM0179G23B	PLATE SMALL LINKAGE
18	1	EAM0179G24A	BEARING SHAFT
19	1	EAM0179G25B	PLATE BIG LINKAGE
20	1	EAM0179G26B	BAR PULLING UPPER M CABINET
21	1	EAM0180G22B	CONNECTION JOYSTICK
22	1	EAM0181G82A	BUSHING JOYSTICK



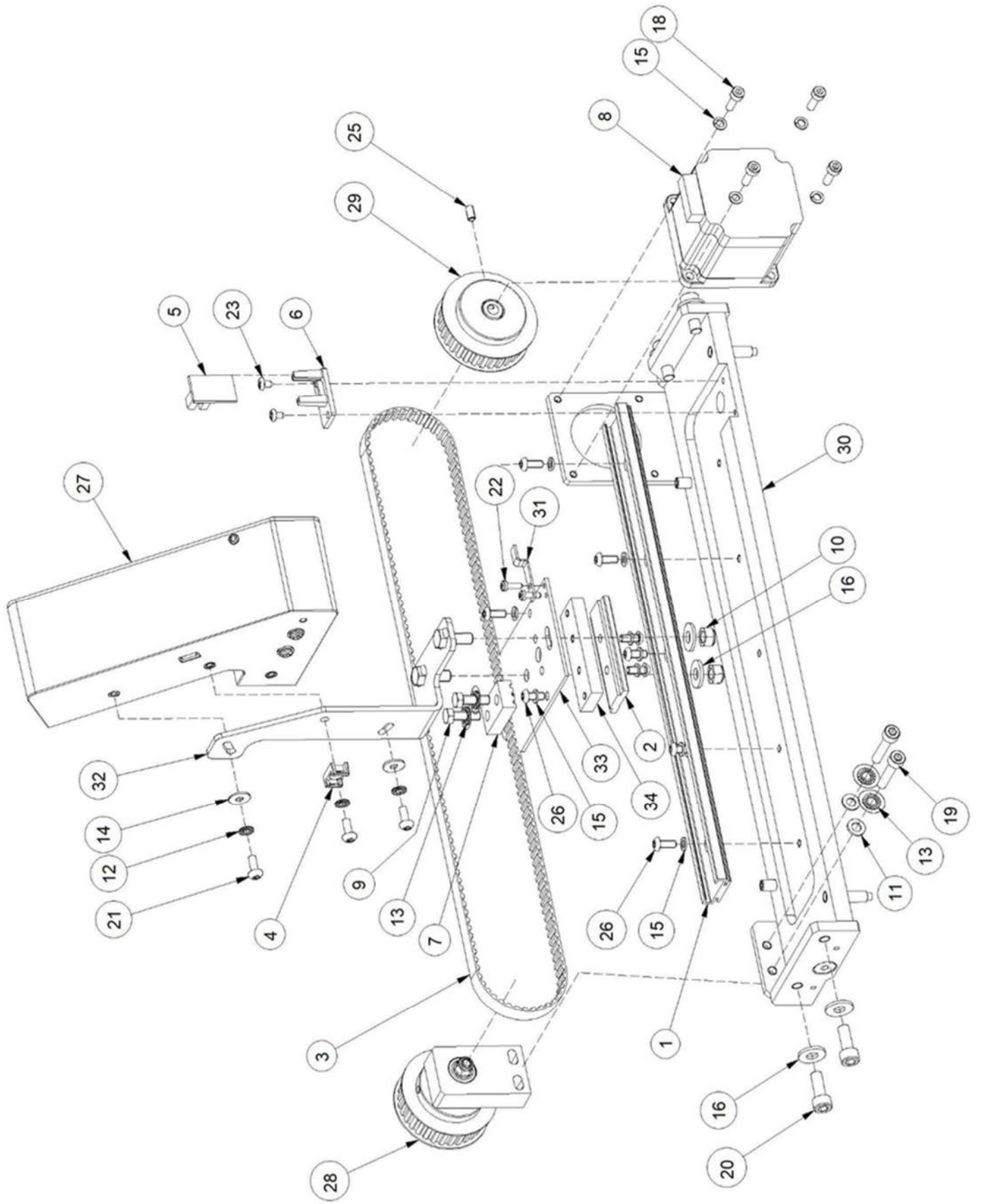
REF#	QTY	PART NUMBER	DESCRIPTION
1	1	EAA0382G01A	FLANGE FOR POWER CLAMP
3	2	1-32701A1	SCREW, HEX HEAD M8X25 *
4	1	1-18241A	RETAINING DISC
5	1	EAC0058D14A	SPRING CENTERING RING
6	1	1-07768A	COMPRESSION SPRING
7	1	EAS2025D14A	SPRING CASE SPRING CASE
8	1	1-13077	CIRCLIP SB 92
9	1	EAC0058D69A	PROTECTION SLEEVE LONG
10	1	EAM0086G86A	CLAMPING SLEEVE P-VERSION L
11	1	EAC0058D08A	PRESSURE RING
12	1	EAC0058D07A	PRESSURE CUP
13	1	EAC0058D15A	RUBBER PROTECTION RING
14	1	EAM0005D25A	CONE 4 ECON D.40
15	1	EAM0005D24A	CONE 2 ECON D.40
16	1	EAM0005D23A	CONE 1 DIA. 42-80 MM, FOR 40 MM SHAFT
N/S	4	EAM0006G01A	HOOK - ACCESSORY STORAGE
N/S	4	EAC0060G02A	FLANGE - COVER,ACCESS
N/S	1	00058839000	TOOL - PDQ WEIGHT
N/S	1	EAM0005D40A	CALIBRATION WEIGHT
N/S	1	110410000	REPLACEMENT RING
N/S	1	EAM0003J69A	CONE (3.42 - 5.25)



REF	QTY	PART NUMBER	DESCRIPTION
1	1	5-07945A	CABLE STOP
2	2	1-9933	NUT, PREVAILING TORQUE M6
3	3	1-1348	WASHER - D.4
4	2	1-16441	WASHER PLAIN
5	5	1-16641A	WASHER PLAIN
6	3	1-16309	SCREW HEX SOCKET M 6X16
7	3	1-24606A	SCREW
8	2	1-22623A	SCREW, PHIL PAN H.TAPP.
9	1	EAA0345G77A	SHEET OF LIGHT MODULE COMPLETE
10	1	EAC0099G67A	COVER FOR REAR RIGHT CAMERA
11	1	EAS2153G74A	CAMERA SUPPORT
12	1	EAS2153G65A	REAR RIGHT CAMERA SUPPORT UNIT
13	2	1-15904A	SCREW
14	1	EAS2153G73A	CAMERA ADJUSTMENT PLATE

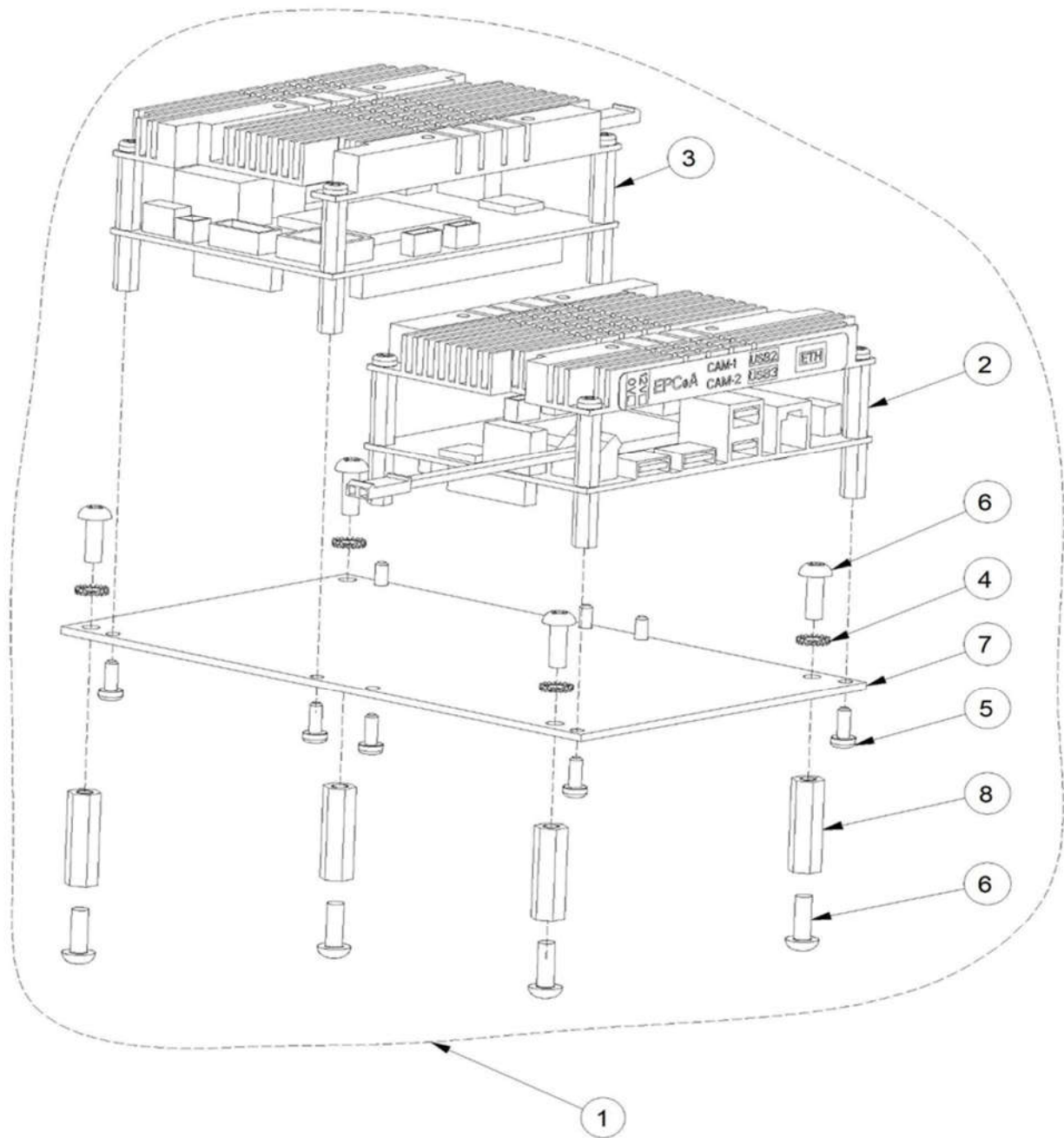


REF	QTY	PART NUMBER	DESCRIPTION
1	1	5-07945A	CABLE STOP
2	2	1-9933	NUT, PREVAILING TORQUE M6
3	3	1-1348	WASHER - D.4
4	2	1-16441	WASHER PLAIN
5	5	1-16641A	WASHER PLAIN
6	3	1-16309	SCREW HEX SOCKET M 6X16
7	3	1-24606A	SCREW
8	1	1-22623A	SCREW, PHIL PAN H.TAPP.
9	1	EAA0345G77A	SHEET OF LIGHT MODULE COMPLETE
10	1	EAC0100G27A	COVER FOR REAR LEFT CAMERA
11	1	EAS2153G74A	CAMERA SUPPORT
12	1	EAS2153G66A	REAR LEFT CAMERA SUPPORT UNIT
13	2	1-15904A	SCREW
14	1	EAS2153G73A	CAMERA ADJUSTMENT PLATE
15	1	1-04025A	SELF-TAPPING SCREW 3,9X6,5

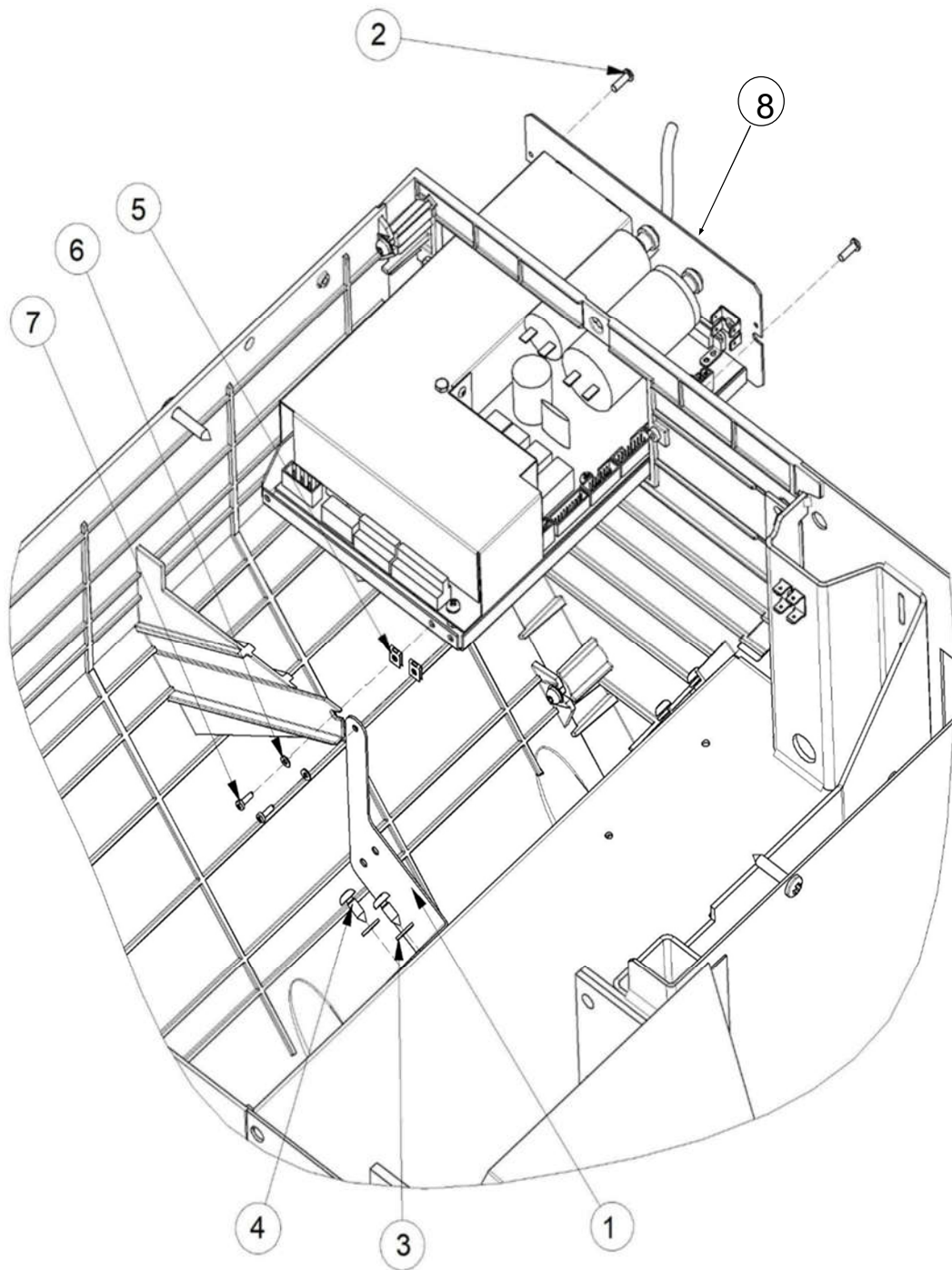


REF	QTY	PART NUMBER	DESCRIPTION
1	1	1-24484A	GUIDE IGUS
2	1	1-24584A	SLIDE IGUS
3	1	8-06631A	TOOTHED BELT
4	1	5-07945A	CABLE STOP
5	1	EAP0167G10A	OPTO SWITCH BOARD
6	1	EAC0087G03A	BOARD SUPPORT
7	1	EAM0048G47A	TOOTHED PLATE
8	1	EAA0328G15A	STEPPER MOTOR WITH CONNECTOR
9	2	1-46401A	SCREW
10	2	1-9933	NUT, PREVAILING TORQUE M6
11	2	1-9741	WASHER D.5
12	3	1-1348	WASHER - D.4
13	4	1-1448	WASHER, TOOTHED D.5
14	2	1-16441	WASHER PLAIN
15	13	1-2546A	WASHER SPRING SINGLECOIL
16	6	1-16641A	WASHER PLAIN
18	4	1-52009A	SCREW
19	2	1-15209	SCREW
20	4	1-16309	SCREW HEX SOCKET M 6X16
21	3	1-13204A2	SCREW
22	2	1-22723A	SELF TAPPING SCREW
23	2	1-17023A	SELF TAPPING SCREW
25	1	1-38910	SCREW
26	9	1-68209A	SCREW
27	1	EAA0345G77A	SHEET OF LIGHT MODULE COMPLETE
28	1	EAA0357G99A	BELT TIGHTENING ASSY
29	1	EAM0076G50A	MACHINED ASSY PULLEY
30	1	EAA0489G58A	ASSY REAR CAMERA SUPPORT
31	1	EAS2112G35A	LINEAR DRIVE HOME POSITION PLATE
32	1	EAS2112G50A	COMPLETE INTERMEDIATE SUPPORT
33	1	EAS2112G51A	COMPLETE REAR CAMERA SUPPORT
34	1	EAM0085G43A	SPACER FOR CAMERA SUPPORT

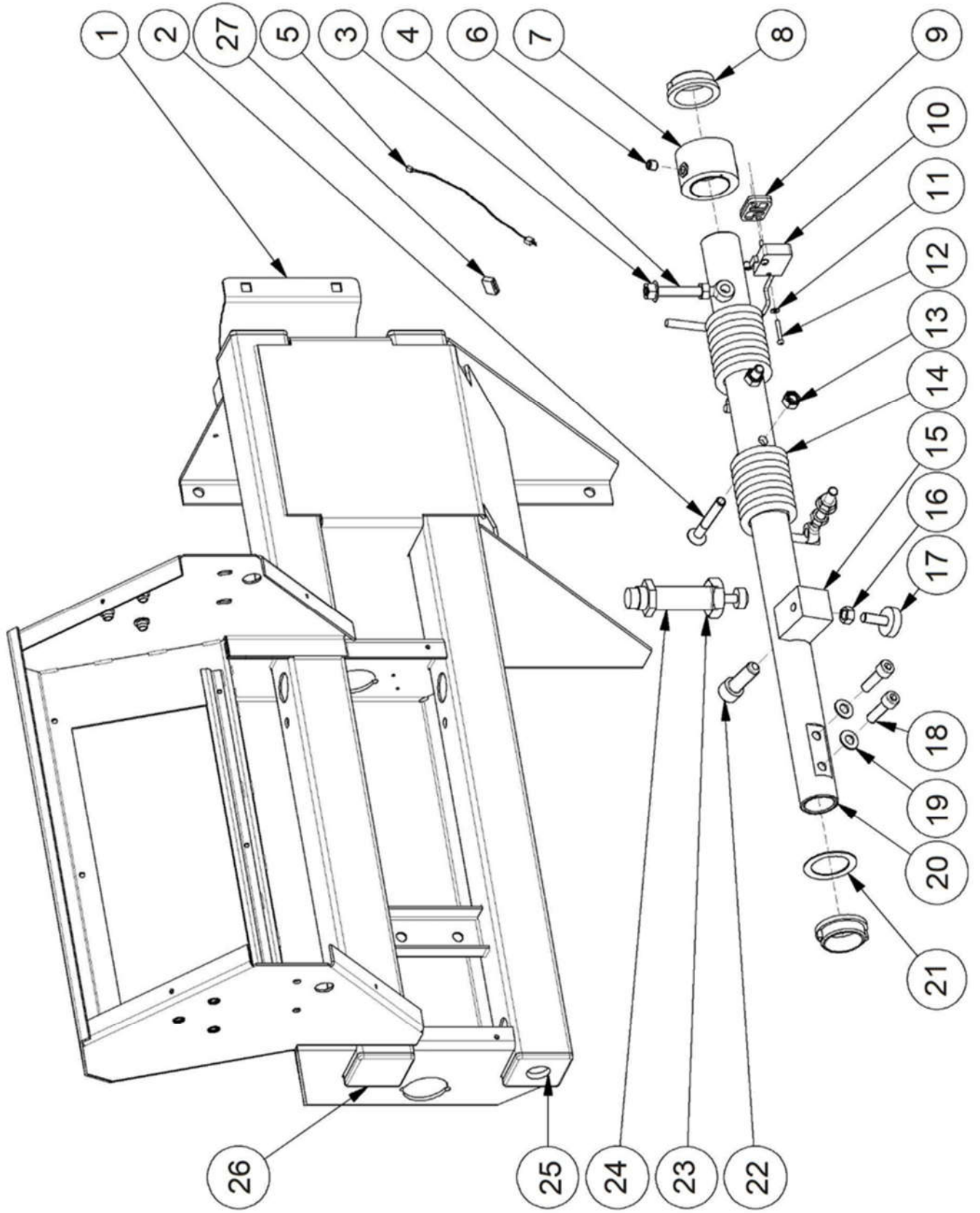




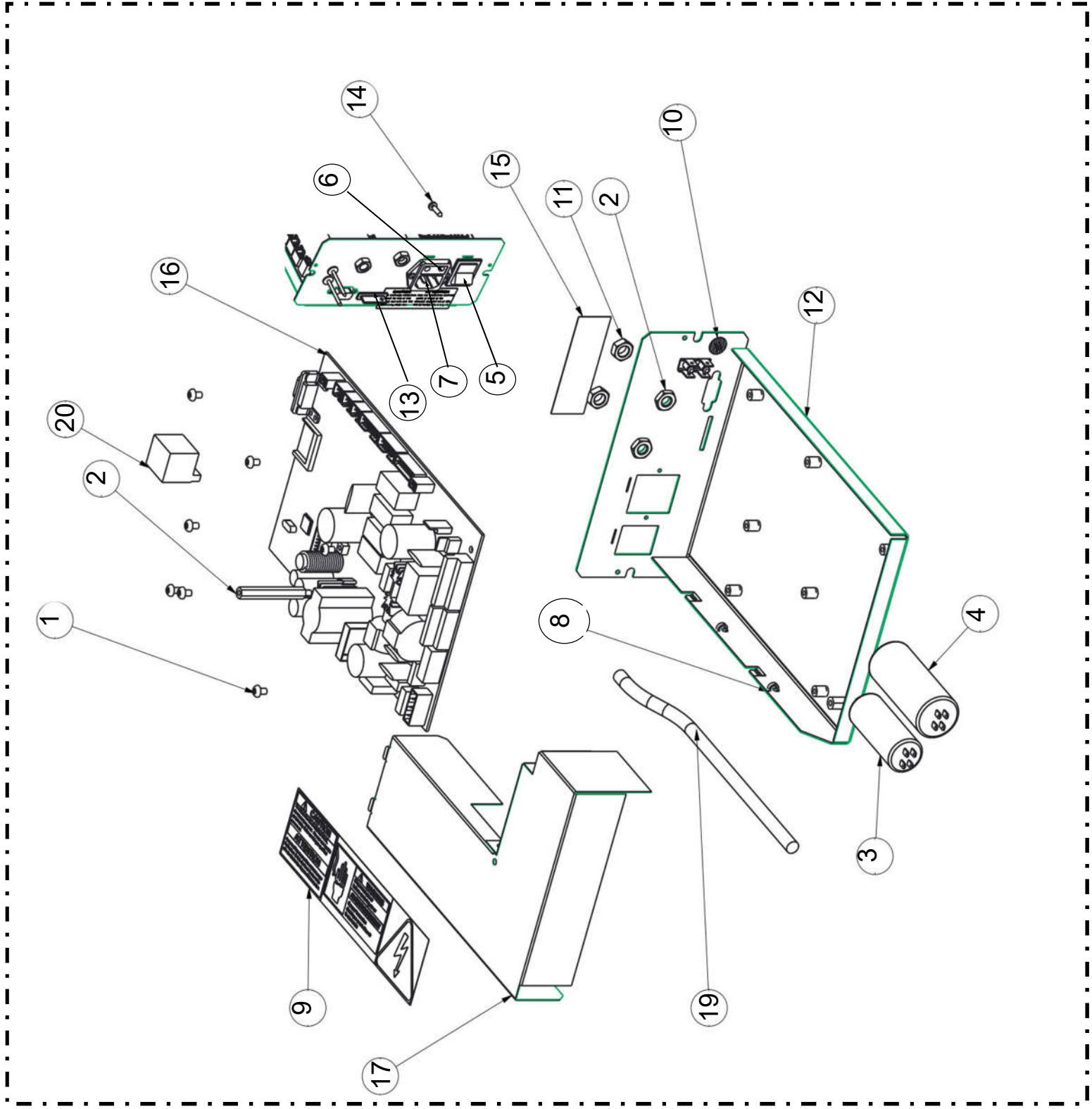
REF	QTY	PART NUMBER	DESCRIPTION
1	1	EAA0502G26A	CAMERA EPC UNIT
2	2	EAA0502G37A	EPC #A PROGRAMMED
3	2	EAA0502G38A	EPC #B PROGRAMMED
4	4	1-1348	WASHER - D.4
5	8	1-20504A	SCREW TCB -CROSS 3X7
6	8	1-24606A	SCREW
7	1	EAS2219G92A	SHEET-METAL EPC SUPPORT
8	4	1-19561A	HEXAGONAL SPACER



REF	QTY	PART NUMBER	DESCRIPTION
1	1	EAS2102G93A	IBP SUPPORT FOR S2 CABINET
2	1	1-09326A	SCREW FOR PLASTIC
3	1	1-9841	WASHER,PLAIN D6 ZINC.
4	1	1-22323A	SELF-TAPPING SCREW
5	1	1-08139A	DOUBLE PLATE
6	1	1-16341A	FLAT WASHER
7	1	1-22723A	SELF TAPPING SCREW
8	1	EAA0338G83B	CR ASSY - IBP DIGITAL BOX



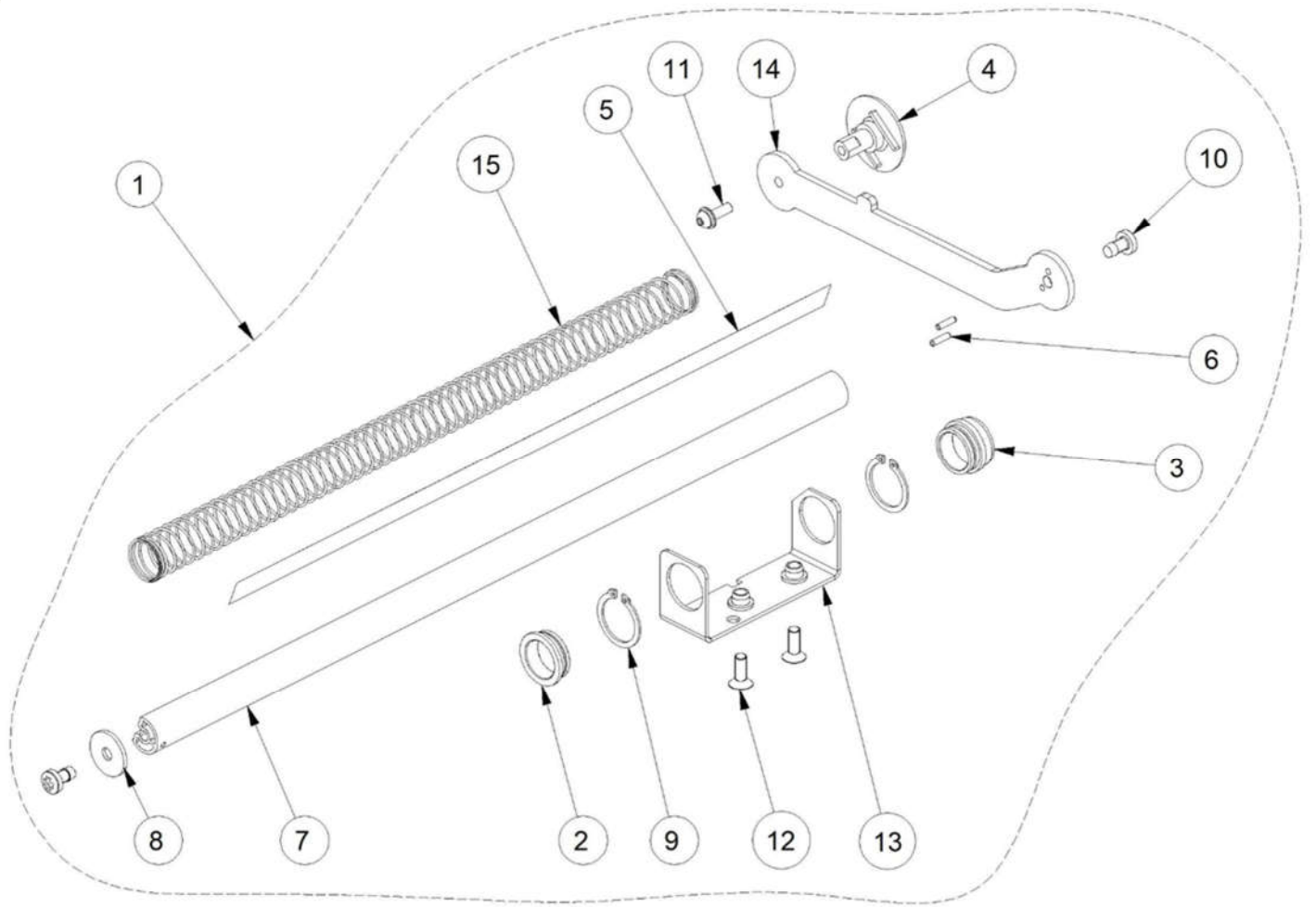
REF	QTY	PART NUMBER	DESCRIPTION
1	1	EAS2112G84A	BFH BACK PACK FRAME UNIT
2	2	1-24603A	SCREW TSEI 8X60 12.9
3	2	1-23159A	NUT
4	2	1-02430A	EYE-SCREW
5	1	EAW0276G57A	BFH WHEELGUARD EXTENSION CABLE
6	1	1-49010A	SCREW, SOCKET WITH CUP POINT
7	1	EAC0058D38A	MICRO FIXING RING
8	2	EAC0058D36A	WHEELGUARD BUSHING
9	1	EAC0053J16A	MICROSWITCH PLATE
10	1	2-7261	WHEELGUARD SWITCH
11	2	1-9541	WASHER PLAIN D3
12	2	1-11504A	SCREW
13	2	1-10033	HEX NUT PREVAILING TORQUE M8
14	2	1-04267A	WHEELGUARD SPRING
15	1	EAM0074G04A	BFH WHEELGUARD STOP
16	3	1-11733	NUT M8
17	1	8-13518A	BUMPER STROKE-END
18	2	1-17909	SCREW- TCEI 8X30 8G
19	2	1-10041	WASHER D.8
20	1	EAM0071G35A	BFH WHEELGUARD SHAFT
21	1	1-22441A	SHIM RING
22	1	1-20409	SCREW,HEX SOCKET HEAD CAP
23	1	1-22933A	NUT
24	1	1-04969A	SHOCK ABSORBER
25	1	EAM0074G05A	MACHINED SQUARE CAP
26	3	1-11276A	SQUARE CAP
27	1	2-61248A	MALE CONNECTOR WAGO 4P.



22

REF	QTY	PART NUMBER	DESCRIPTION
1	7	1-13606A	SCREW-PHMS,M4 X 6MM W/ LOCKWASHER
2	1	1-14461A	SPACER M4x50
3	1	2-01429A	CAPACITOR - 10uF, 400V
4	1	2-01529A	CAPACITOR - 20uF, 400V
5	1	2-13258A	MAIN SWITCH
6	2	2-21251A	FUSE-TIME DELAY, 250V, 6.3 AMP
7	1	2-64948A	ENTRY POWER MODULE
8	3	5-845	CABLE TIE PLASTIC
9	1	EAL0341J98A	LABEL-BALANCER WARNINGS, EBOX
10	1	8-23762A	LABEL - EARTH SYMBOL
11	2	1-15933A	NUT - HEX, M8 X 1.25 DIN 936, UNI5589
12	1	EAA0346J15A	FRAME ASSY - IBP BAL BOX
13	1	EAC0087G52A	MEMORY CARD
14	2	1-23223A	SCREW-PHMS,M2.9 X 1 X 13MM,TYPE B
15	1	EAL0349G44A	FUSES CAUTION
16	1	EAP0276G40A	MOTORIZED INTEGRATED
17	1	EAS2092G08A	"L" COVER FOR NEW DIG. BOX
18	1	EAW0239D07A	CABLE - GROUNDING
19	1	EAW0240G79A	MAIN CORD
20	1	2-17947A	SOCKET-MULTIPOLE, WAGO
21	2	1-23333A	M8 JAM NUT
22	1	EAA0338G83B	CR ASSY - IBP DIGITAL BOX





REF	QTY	PART NUMBER	DESCRIPTION
1	1	EAA0358G15A	BFH GAUGE UNIT
2	1	EAM0068G76A	S2-D2 BUSHING
3	1	EAA0409G33A	BUSHING OUTSIDE SAPE
4	1	EAC0058D11A	FEELER DISK
5	1	EAM0140G91A	DISTANCE SCALE DECAL (MM)
6	2	1-19552A	CYLINDRICAL PIN
7	1	EAM0053G08A	STANDARD TRUCK GAUGE ROD
8	1	1-22941A	WASHER
9	2	1-4577	RING SNAP
10	2	1-3824	SCREW
11	1	1-11926A	SCREW
12	2	1-22003A	SCREW 6X16 10K
13	1	EAA0358G16A	SAPE SUPPORT WITH INSERT
14	1	EAM0071G38A	BFH GAUGE ROD ARM
15	1	1-10468A	GAUGE SPRING

# ***JohnBean***

Snap-on Equipment  
309 Exchange Ave.  
Conway, Ar 72032  
501-450-1500

Notice: The information contained in this document is subject to change without notice. Snap-on Equipment makes no warranty with regard to this material. Snap-on Equipment shall not be liable for errors contained herein or for incidental consequential damages in connection with furnishings, performance, or use of this material.

This document contains proprietary information which is protected by copyright and patents. All rights are reserved. no part of this document may be photocopied, reproduced, or translated without prior written consent