

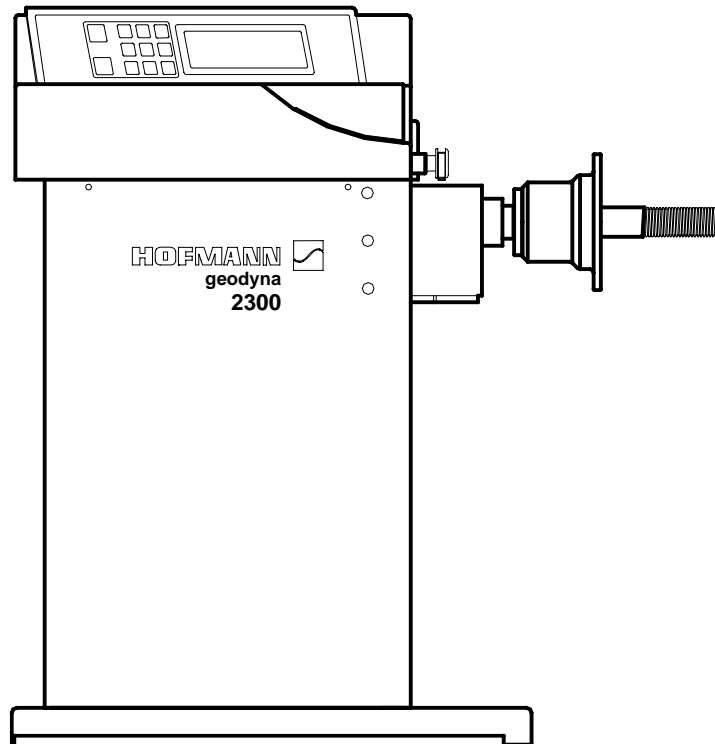
# *Spare parts list*

This Parts list is for machines built in Canada

## **Wheel balancer**

### **geodyna 2300**

(Made in Canada)



### **CANADA**

**HOFMANN BALANCING TECHNIQUES**  
6500 Millcreek Dr.  
Mississauga, Ontario L5N 4G4  
Phone: (800) 267-2185  
Fax: (905) 821-2073

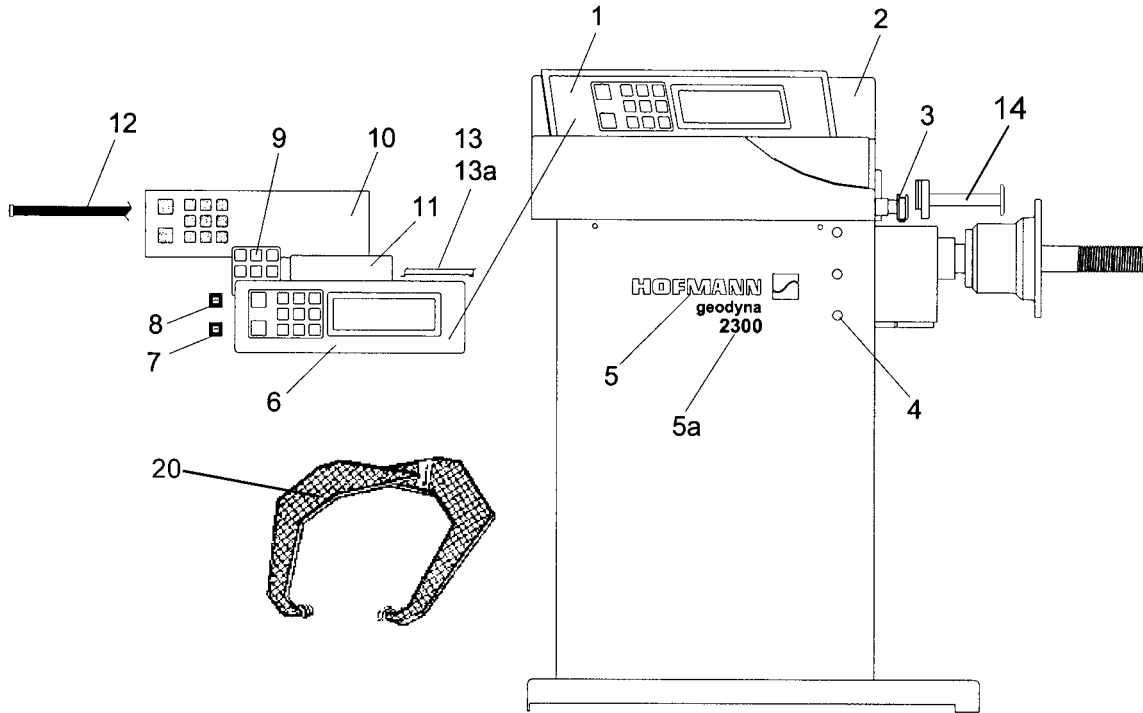
Internet: <http://www.hofmann.ca>

### **USA**

**HOFMANN USA**  
309 Exchange Ave.  
Conway, AR 72032  
Phone: (800) 251-4500  
Fax: (501) 450-2085

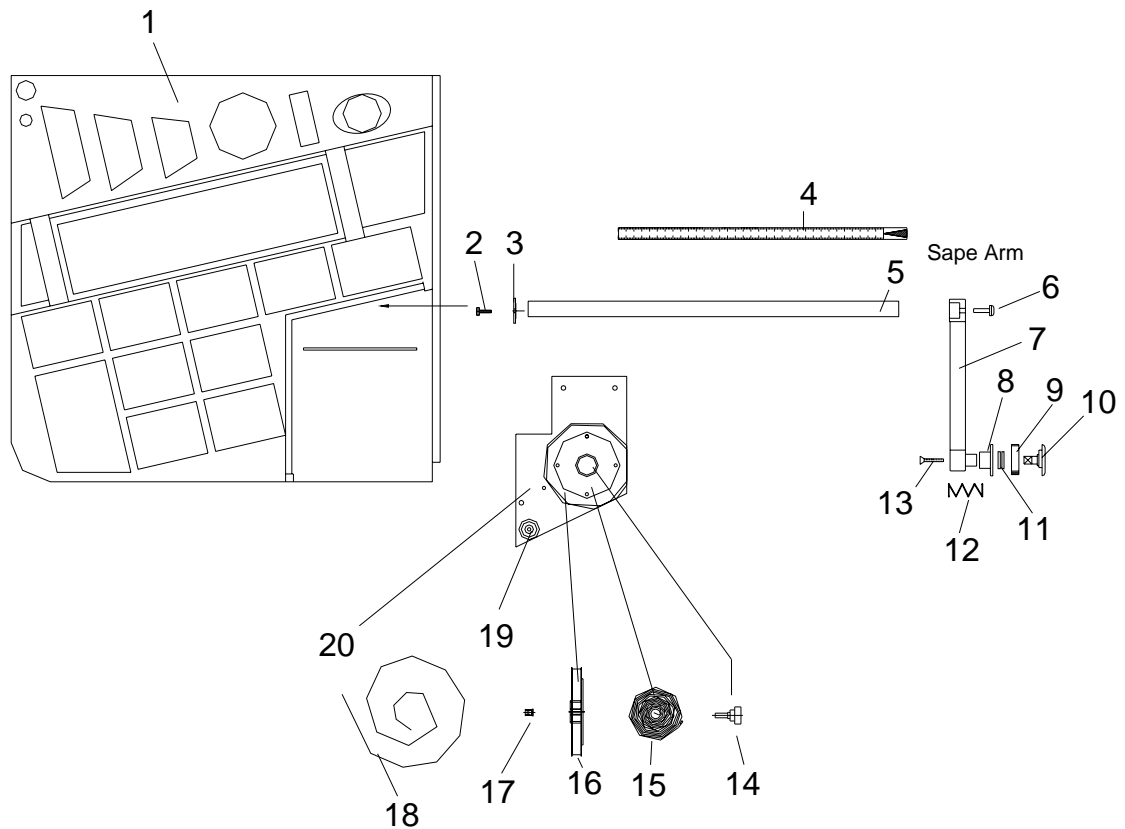
Internet: <http://www.hofmann-usa.com>

# Figure 1 Machine



REF.	PART #	DESCRIPTION
1.	6705832	LC-display & keypad assembly
2.	1701099	Weight tray
3.		Distance gauge arm (see details page #3)
4.	2001038/1	Hole plug
5.	2300100	Hofmann decal
5a.	2300101	Decal 2300
6.	1701582	Display panel only
7.	3402247	Stop key
8.	3402246	Start key
9.	3402269	Key pad (operator)
10.	6726370	Electronic display board
11.	3613043	LC display only
12.	2800005	Display cable assembly
13.	4239650	Adhesive velcro (male)
13a.	4239648	Adhesive velcro (female)
14	3000742	100 mm Gauge Extension (Motor Cycle machine only)
20	EAA0247G21A	Rim width calipers (2900 007 - 1972 003)

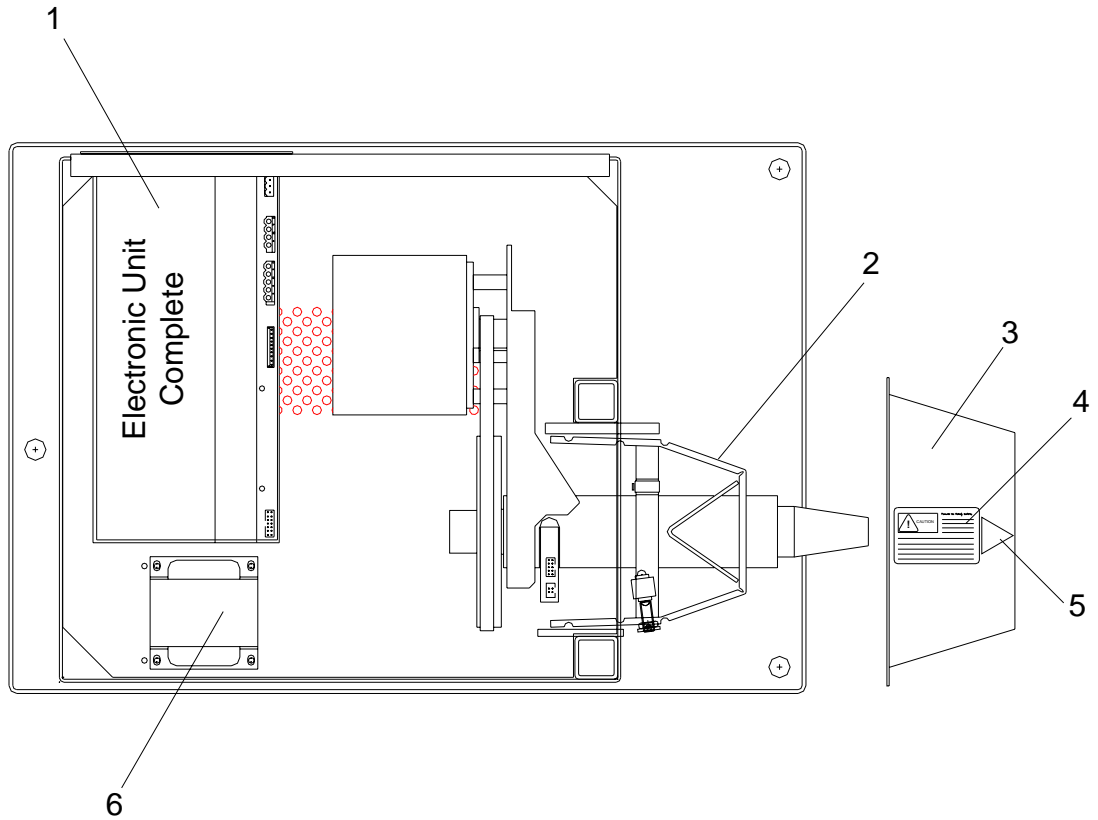
## Figure 2 Distance Gauge & Weight tray



REF.	PART #	DESCRIPTION
1.	1701099/A	Weight tray w/bushing
2.	2001115/1	Rope screw ¼-20
3.	1640080	Washer
4.	4082727/1	Distance scale sticker
5.	1040901	Distance rod 475 mm
6.	2001016	O. H. Tap screw
7.	1701343	Gauge arm
8.	1701342	Contact ring
9.	1701341	Ejector
10.	1701340	Touching disc
11.	1641100	Washer M10
12.	1611150	Spring

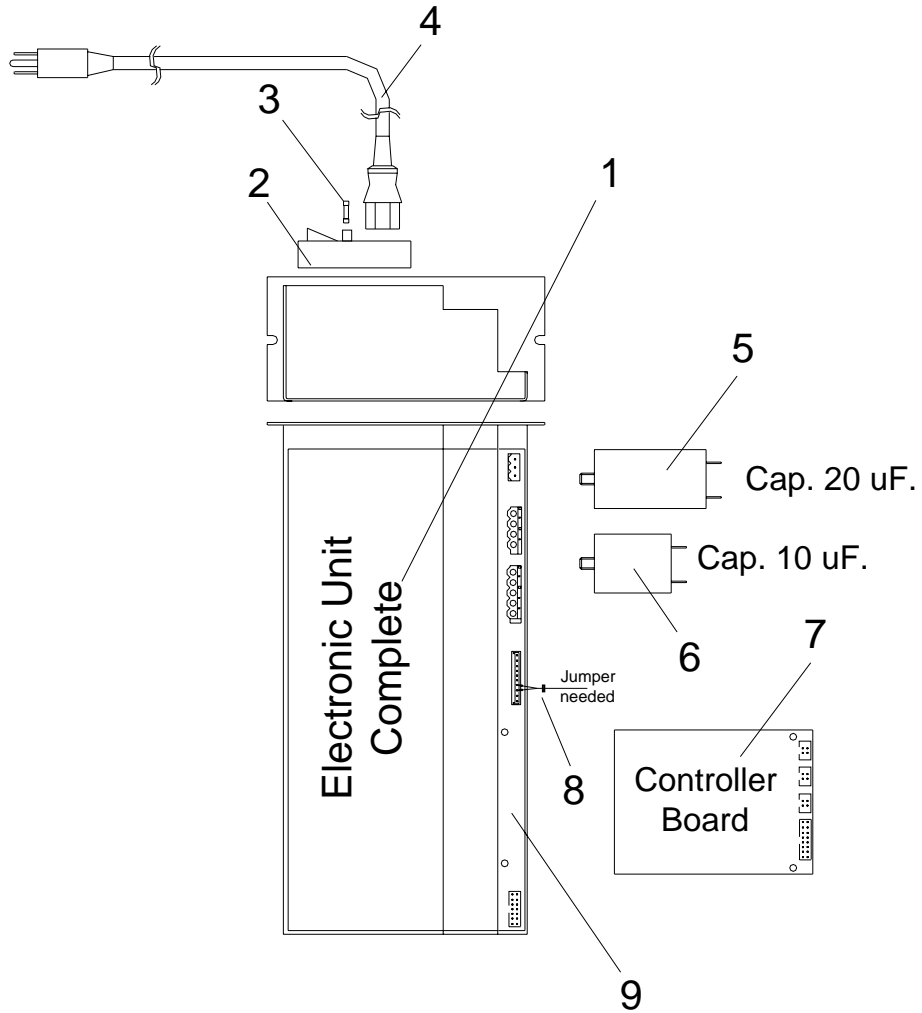
REF.	PART #	DESCRIPTION
13.	2001113	Screw
14.	6792037	Potentiometer assembly
15.	1628406	Helical spring
16.	1701118	Rope reel
17.	3390902	Colette complete with nut
18.	2001116	Rope
19.	6418521	Roller assembly
20.	6413506/1A	Distance bracket complete

### Figure 3 Top View



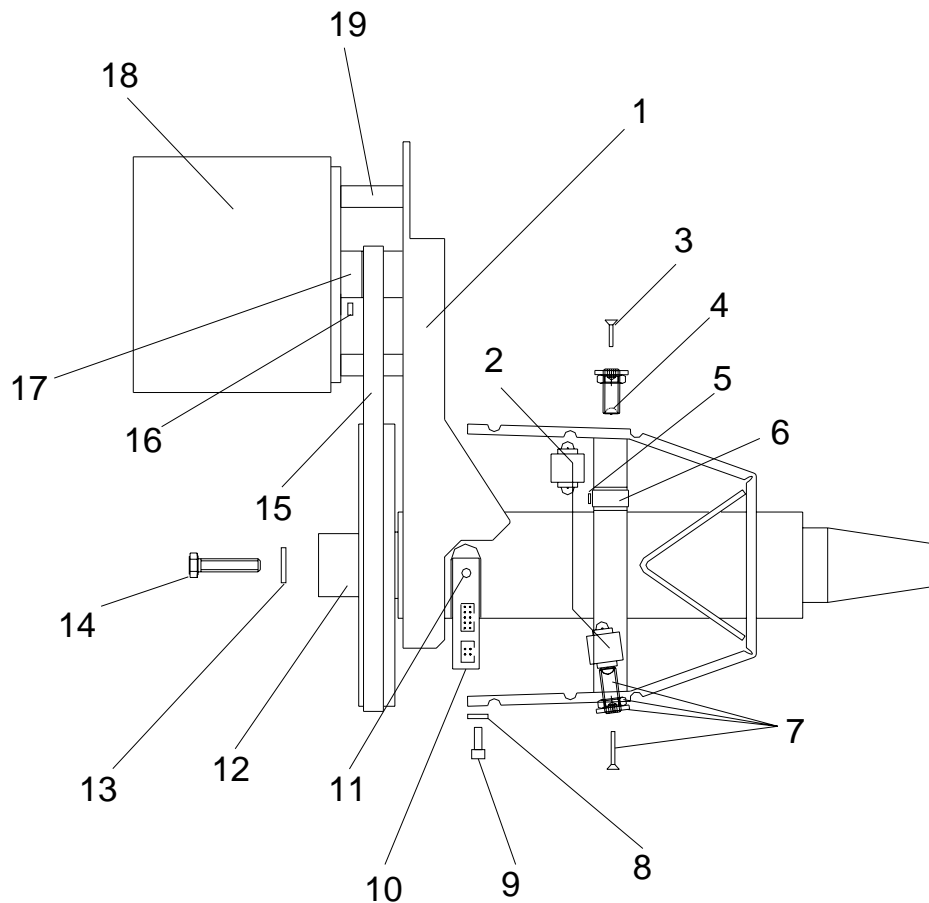
REF.	PART #	DESCRIPTION
1.	EAA0255J23A	Electronic unit complete (see details page #5)
2.	6418868	Vibratory system (see details page #6)
3.	6418734	Cover vibratory system
4.	3300009	Label caution
5.	3200056	Arrow decal
6.	7-15601A	Transformer with cable & connectors (6705902)

# Figure 4 Electronic Box



REF.	PART #	DESCRIPTION
1.	EAA0255J23A	Electronic unit complete
2.	3950036	ON / OFF switch module
3.	3350326	Fuse 6.3 A. 250 Volt
4.	2800104	Power cord
5.	3762019	Start capacitor 20 uF.
6.	3762020	Run capacitor 10 uF.
8.	1001058	Jumper

## Figure 5 Vibratory System



REF.	PART #	DESCRIPTION
1.	6418868	Vibratory system complete
2.	6792069	Pick-up, cable, sensor
3.	1536007/L	Countersunk screw M4x30 mm
4.	1528360	Pick-Up tightening Bolt
5.	6792026	Temperature sensor
6.	1628090	Temperature Sensor Clip
7.	6419192	Fastening means for pick-up
8.	6418337	Spacer for vibratory system
9.	1524060	Hex socket head screw M8x20
10.	6726387	Opto electronic

REF.	PART #	DESCRIPTION
11.	1509010	Screw
12.	6418343	Drive pulley
13.	1640080	Washer M8
14.	1530098	Hex head screw M8x20 mm
15.	1252584	Drive belt
16.	1527016	Set screw for motor pulley
17.	6418405	Motor pulley
18.	6792046	Drive motor
19.	6418415	Spacer for motor