

HOFMANN®



geodyna 980L

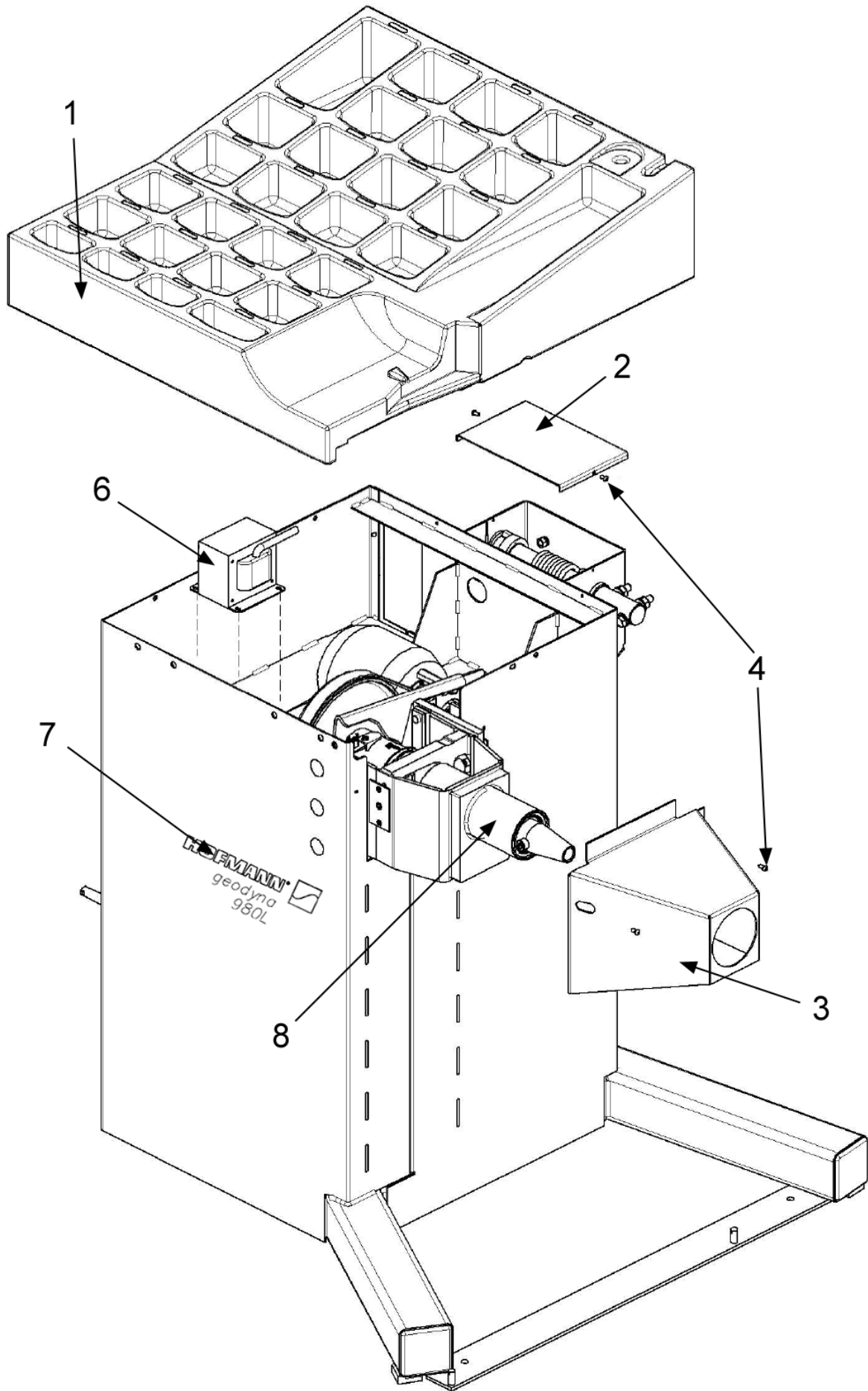
Spare Parts List



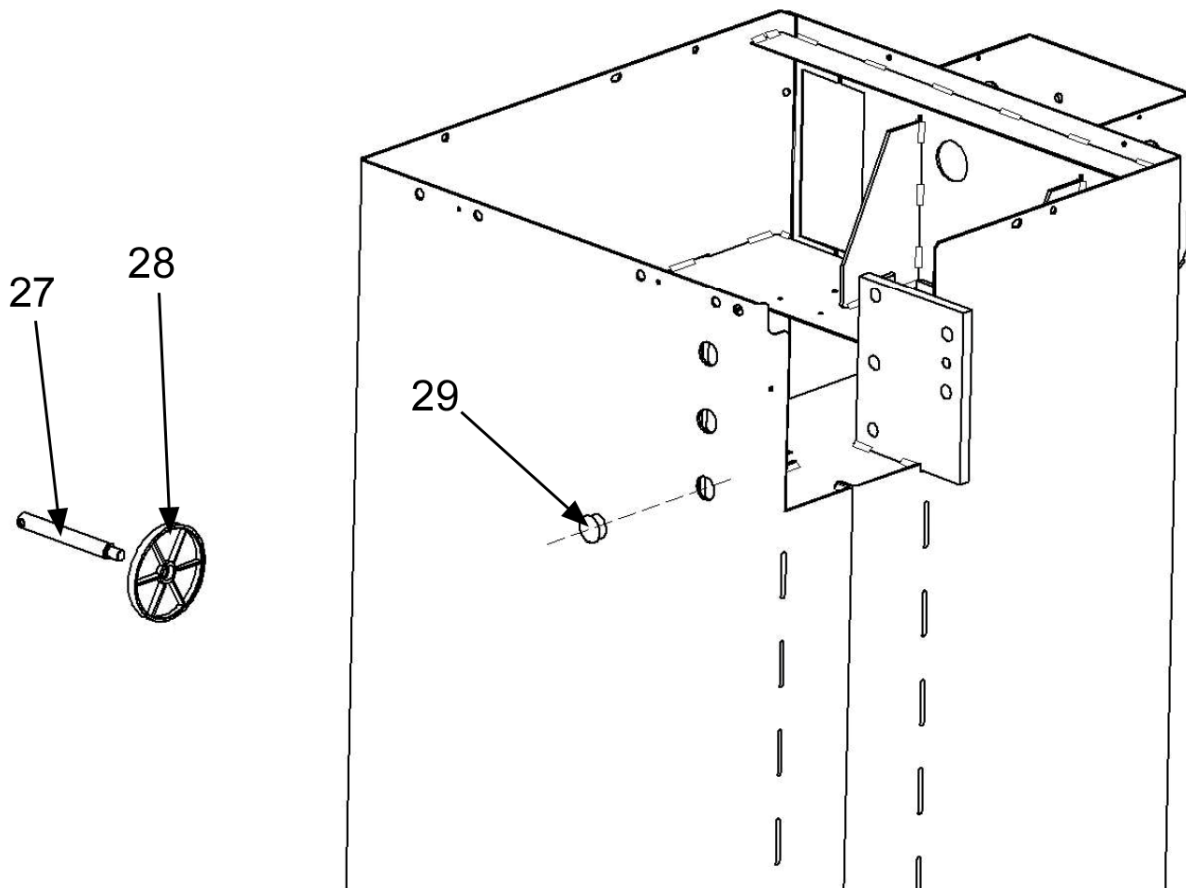
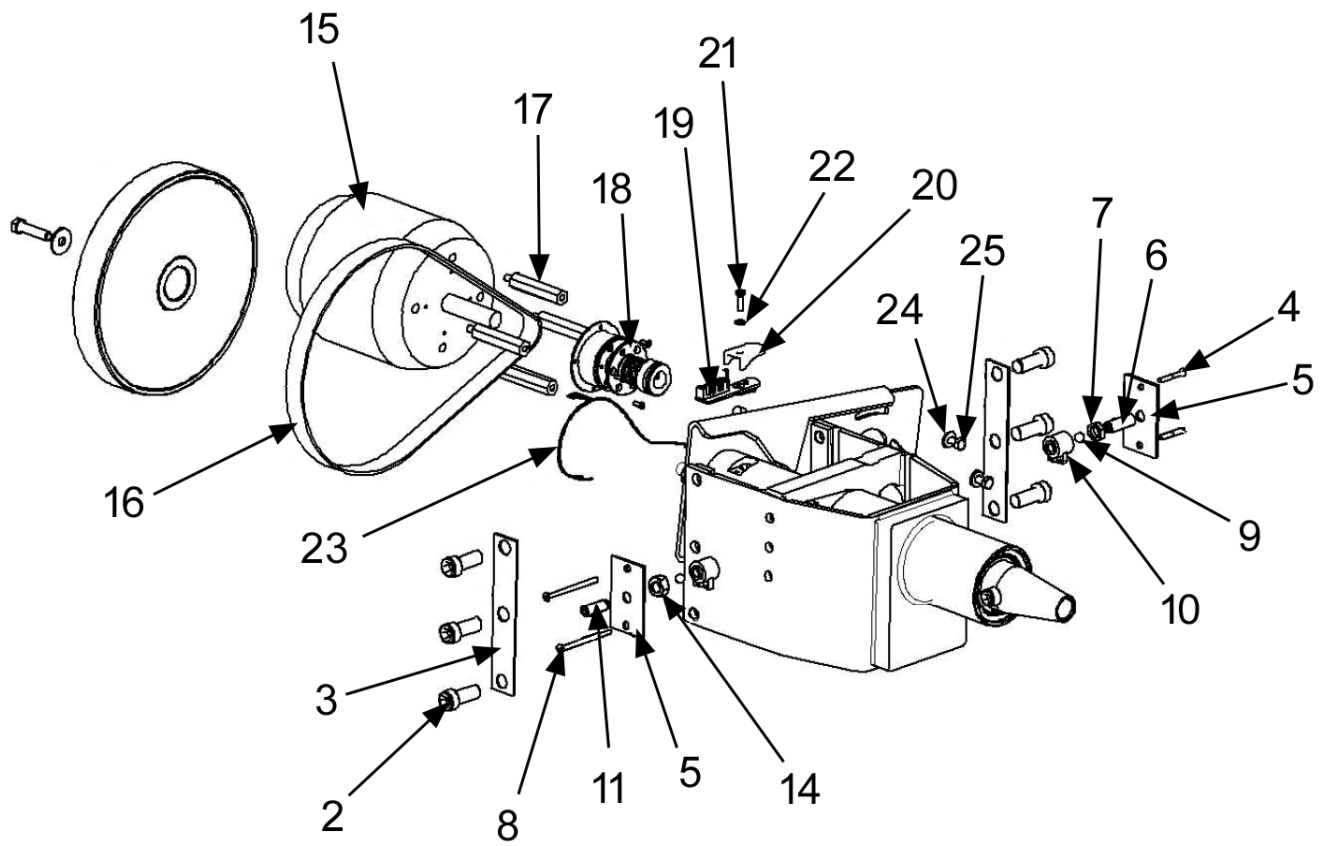
Note: Picture Shown is with Optional Wheel Lift

BOM EEWB710B Geodyna 980L

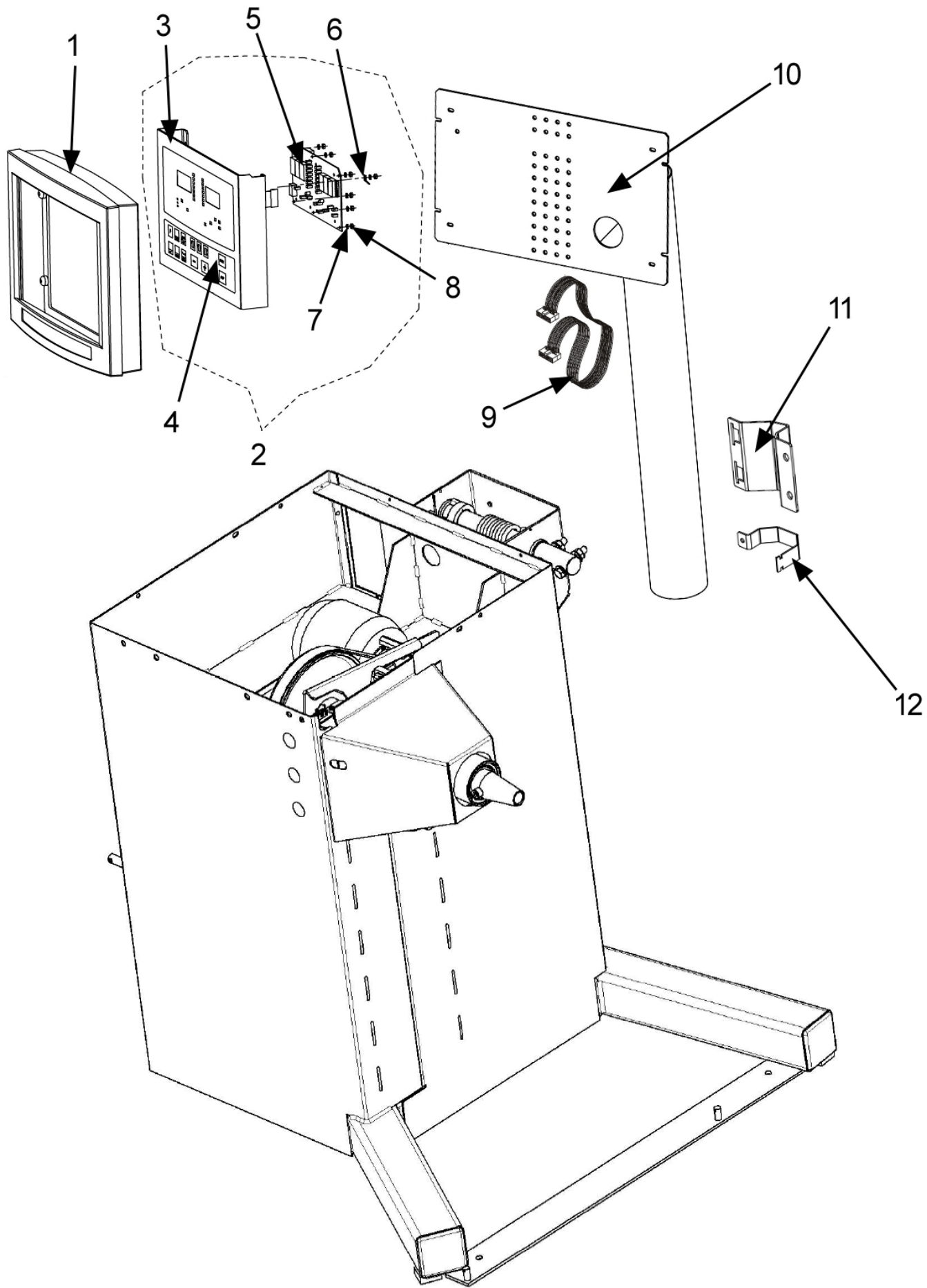
Part Number	Quantity	Description
EAA0255J90A	1	Balancer Assy-Geo 980
ZEEWB710B9	1	Lit Pack Geo 980L
EAW0290J26A	1	Power Cable-5 Meters
8-00391A	1	Rim Width Caliper, Truck Bal
00058839000	1	Tool-Pdq Weight Pass Car
EAC0060G02A	4	Flange Wshr Cone Storage
EAM0006G01A	4	Pin Cone Storage
EAA0537G51A	1	Adapter Truck Wheel Cone
EAA0307G80A	1	Kit-Clamp Truck Prof
EAM0050J23A	1	Cone 107 - 174 mm / 4.25 - 6.85"
EAM0050J24A	1	Cone Truck 200 - 230 mm / 8 - 9"
EAM0005D23A	1	Cone 42 - 77 mm / 1.70 - 3.15"
EAM0005D24A	1	Cone 71 - 99 mm / 2.8 - 3.9"
EAM0005D25A	1	Cone 96 - 114 mm / 3.8 - 4"
EAM0003J69A	1	Cone 87 - 133 mm / 3.42 - 5.25"
EAC0058D68A	1	Spacer
190-818-004	1	Spacer Ring For Hd Wb
8-02040A2	1	Pressure Cup
00110410000	1	Protector Rubber
EAM0005D40A	1	Calibration Weight
EAL0341J63A	1	Label-Patent
EAL0349G59A	1	Label-Wheel
EAL0343J76B	1	Serial Label Document
EAL0341J96A	1	Label-Balancer Warning Rear
EAL0341J97A	1	Label-Balancer Warning Side
EAL0345D76A	1	Label-Product 980L



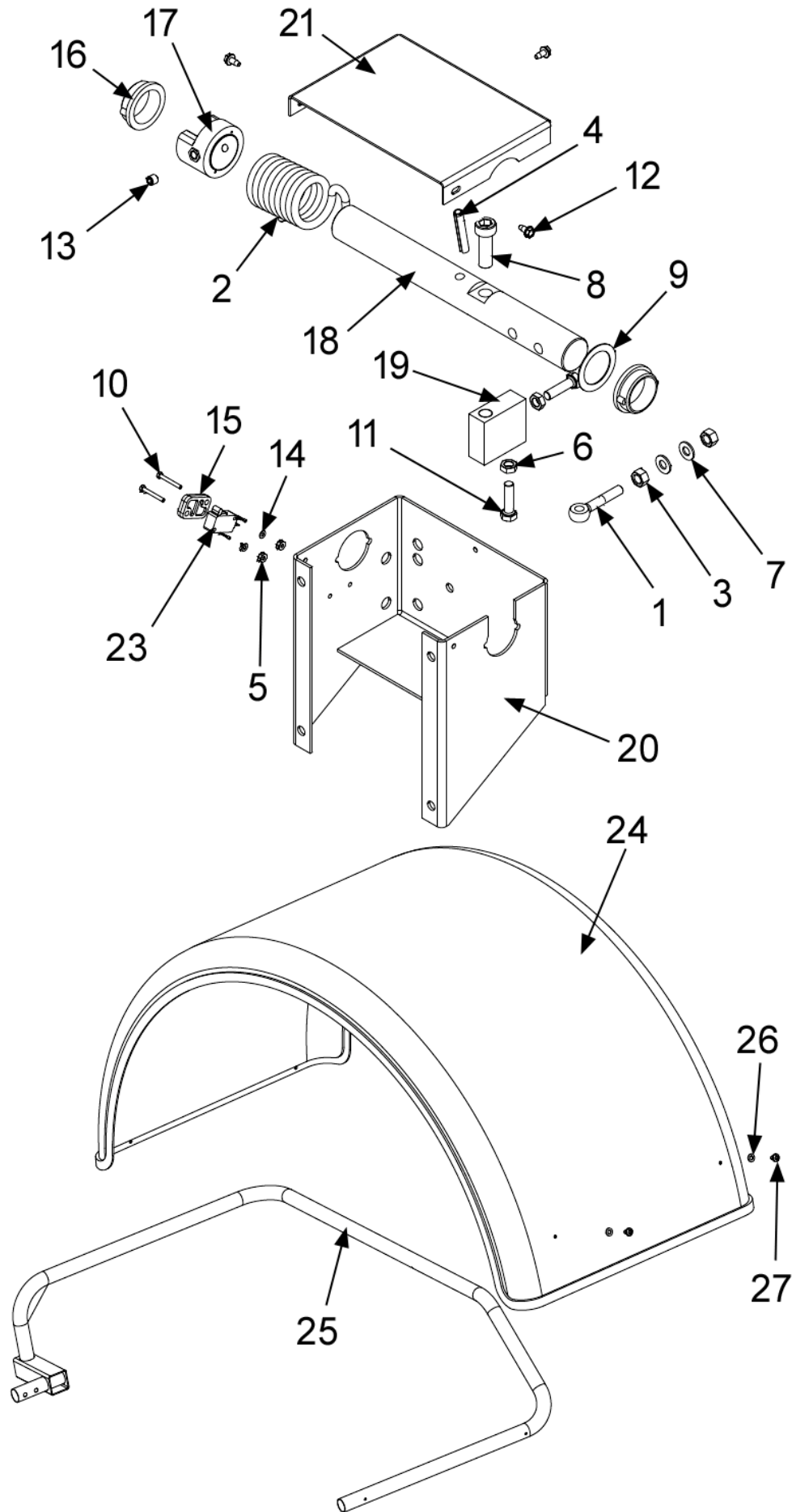
Ref	Qty	Part Number	Description	
1	1	EAC0058D42A	Weight Tray	
2	1	EAS2103J54A	Back Support Cover	EAS2106G73A
3	1	EAS2058D59A	Casing Cover Truck	
4	2	1-3724	Self Tapping Screw	1-18523A1
6	1	7-16201A	Transformer	
NS	1	EAW0233J07A	Wiring Harness for #6	
7	1	EAL0345D76A	Label-Product 980L	
8	1	EAA0307G10A	Vibratory System Assy	



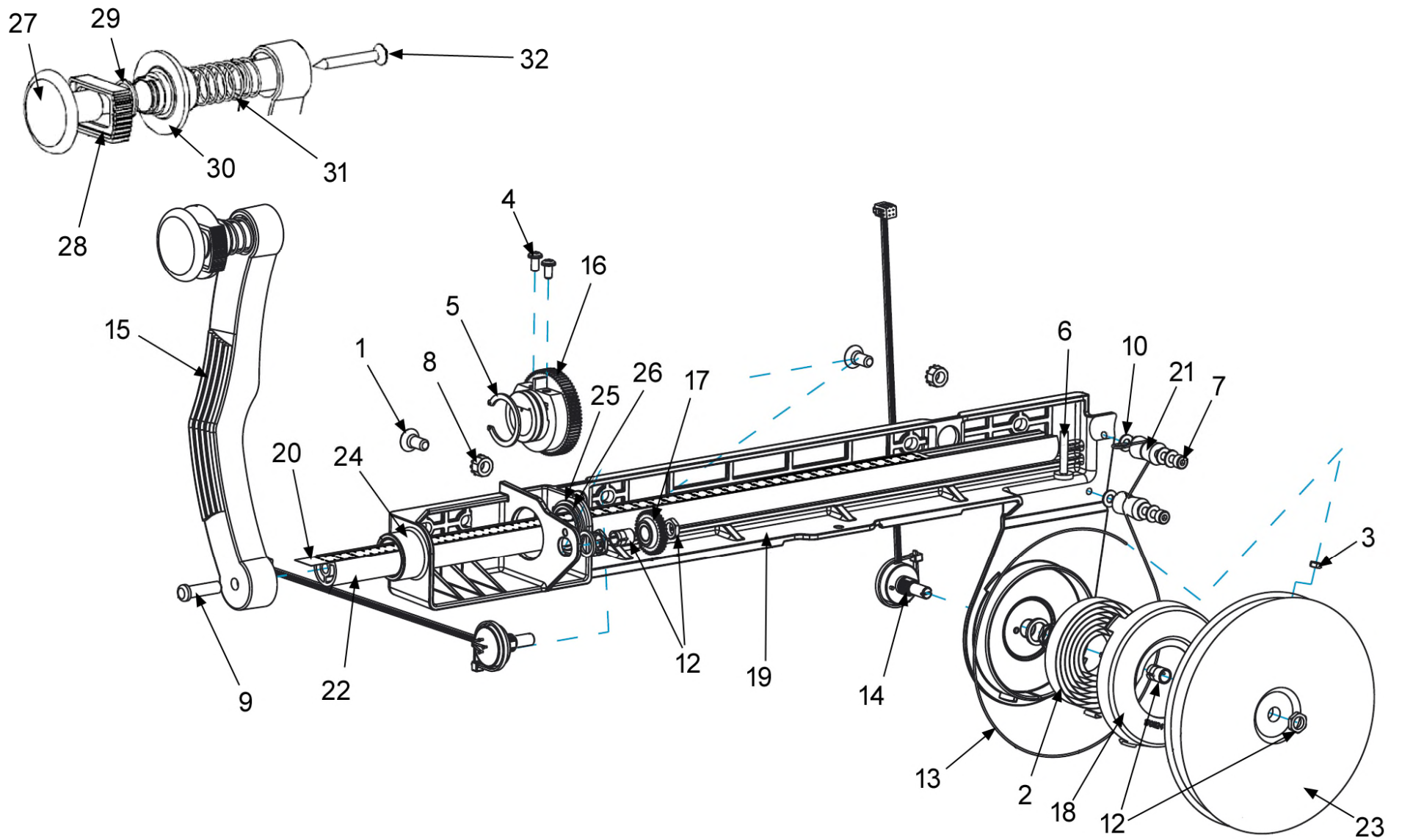
Ref	Qty	Part Number	Description	
2	6	1-20309	Screw, Sock.H.C M12X30	
3	2	EAS2067G64A	Distance Plate Truck	
4	2	1-17503	Screw, Socket Flat Head	
5	2	EAS2067G63A	Pretension Spring	
6	1	EAM0033D03A	Set Screw	
7	1	1-04634A	Nut Hex Low	
8	2	1-19903A	Screw Hex Socket Count.H	
9	4	8-1144	Steel Ball	
10	2	EAA0260D59A	Transducer	
11	1	EAM0005D07A	Setscrew Hex Socket	
14	1	1-11833	Hexagon Nut	
15	1	2-59466A	Motor - 230V 250W 6P	
16	1	8-04231A	Drive Belt Multi-Rib	
17	4	EAM0005D44A	Motor Distance Bolt	
18	1	EAA0313D67A	E-Brake W/Pulley Assy	
19	1	EAA0344G00A	Opto-Electronic Unit	
20	1	EAC0087G54A	Encoder Board Protection	
21	1	1-13404A	Screw - Phms	
22	1	1-9641	Washer	
23	1	EAW0240G67A	Cable - No Temp. Sensor	
24	4	1-16641A	Washer Plain	
25	4	1-30701	Screw Hex. Head	
27	4	EAM0006G01A	Flange Holder Pin	
28	4	EAC0060G02A	Flanges Protection	
29	3	8-7216	Hole Plug	1-07676A



Ref	Qty	Part Number	Description	
1	1	EAC0060G11A	Console, Display,Black	
2	1	EAA0255J92A	Front Panel Assy	
3	1	EAA0255J93A	Display Panel	
4	1	EAA0255J94A	Switch - Membrane	
5	1	EAP0323G00A	Display PCB Requires Ver 3.5.2 or higher	EAP0290G70A
When changing from G70 to G00 the machine will need to be re-programmed even if its at the current version				
6	1	2-23201	Terminal - Lug, Pop Rivet	
7	1	1-5547	Washer	
8	1	1-15833A	Nut M4, Brass	
9	1	EAW0239D36A	Wiring Harness for Display	
10	1	EAA0346J83A	Column Display Support	EAS2098G06A
11	1	EAS2103J58A	Plate - Tower Bracket	EAS2097G87A
12	2	EAS2113J54A	Clamp - Auto Balancer Tower	



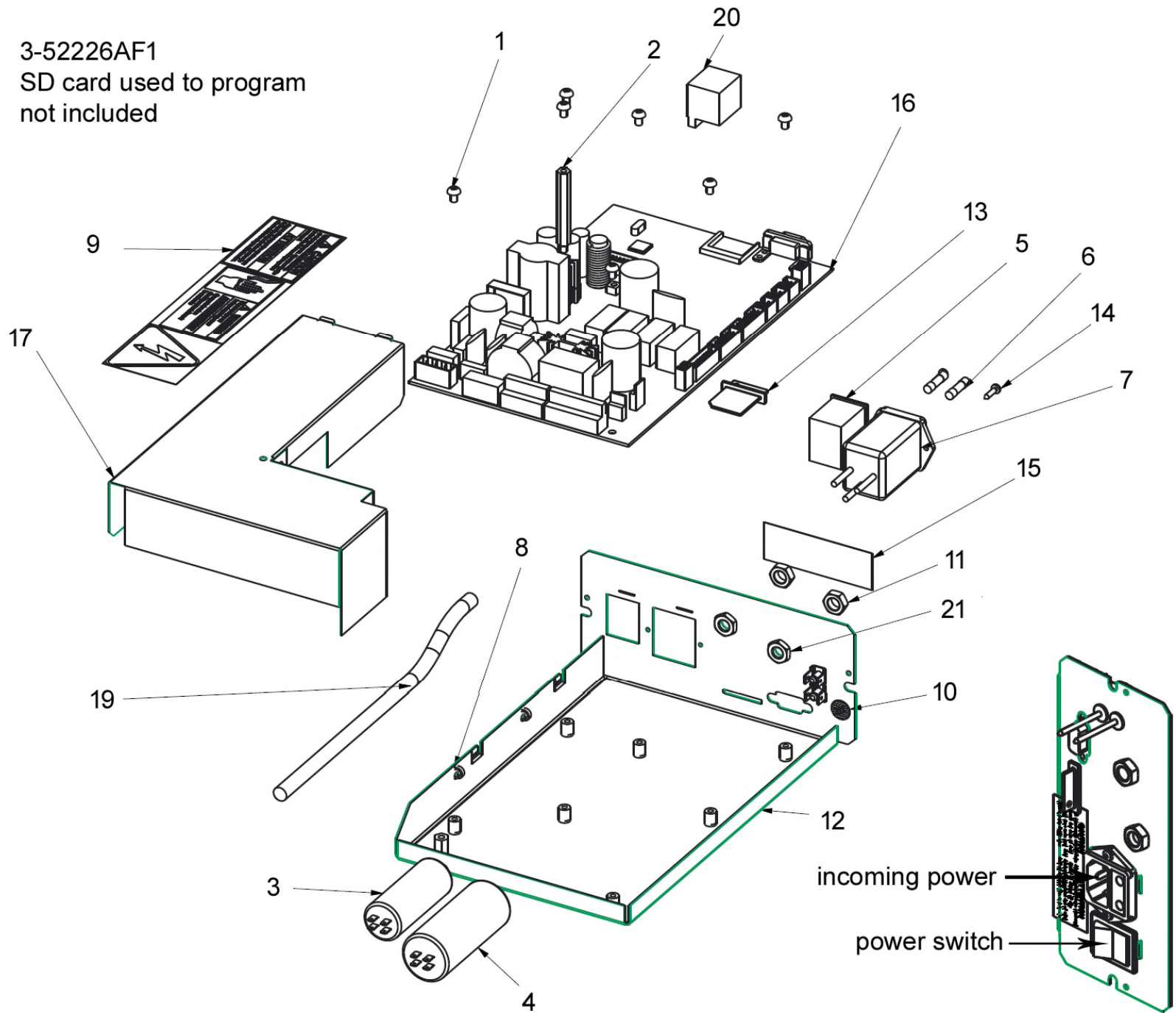
Ref	Qty	Part Number	Description
A	1	EAA0346J43A	Backpack Assembly
1	1	1-01530	Eyebolt-M8 X 50
2	1	1-04267A	Spring-Torsion
3	2	1-11833	Nut - M8 - X 1.25 Din 934
4	1	1-12452	Pins - Straight Slotted 8X45 Din 1481
5	2	1-15033	Nut-Keps, M3 - .5
6	2	1-15933A	Nut - Hex, M8 X 1.25 Din 936, Uni5589
7	2	1-17741	Washer, 8Mm Din125A
8	1	1-20409	Screw Tcei M12X35 12.9 Br
9	1	1-22441A	Shim Ring 32X45X1
10	2	1-27001	Screw,Hex Head Mac. M3X25 8.8
11	2	1-32801A	Screw - Hhcs, M8 X 30Mm Zinc
12	3	1-3724	Screw-Self Tap,5 X 10Mm
13	1	1-49010A	Screw, Socket With Cup Point M8X8
14	2	1-9541	Washer-Flat,M3 Din 125A
15	1	EAC0053J16A	Microswitch Plate
16	2	EAC0058D36A	Wheelguard Bushing D.32
17	1	EAC0058D38A	Schaltring Switch Segment
18	1	EAM0050J19A	Shaft - Wheelguard Truck
19	1	EAM0050J21A	Block - Wheelguard Stop
20	1	EAS2103J53A	Backpack - M2 Cabinet
21	1	EAS2103J54A	Cover - M2 Backpack
23	1	EAW0233J08A	Cable-Switch Assy
24	1	EAM0021D92A	Wheelguard
25	1	EAA0346J44A	Wheelguard Tube
26	2	1-11841	Washer Plain M10.5
27	2	1-19923	Screw M6.3 x 19



Ref	Qty	Part Number	Description
NS	1	EAA0346J86A	Complete Sape Assembly
1	2	1-27903A	Screw - M6 X 14mm Fhms, Skt
2	1	1-03967A	Spring-Sape Auto Stop System
3	1	1-11233	Nut - Hex, M3 Din 934
4	2	1-11726A	Screw, Self Tapping For Plastic
5	1	1-13377A	Circlip-27mm X 1.20mm Din 471
6	1	1-13609	Screw-Hhcs,M4-16 X 8.8
7	2	1-13909	Scr - Hex Skt Hd Cap M4 X 30mm
8	2	1-25433A	Nut-M6 Keps, Serrated Lw Zinc
9	1	1-3824	Screw-Self Tap,6 X 12mm
10	6	1-9641	Plain Washer D4mm
12	2	2-07657A	Clamping Device W/Nut
13	1	6-00604A	Rope
14	2	EAA0266D20A	Rotative Transducer 100 ohm
15	1	EAA0317D03A	Sape Arm Europe W/ Ejector
16	1	EAC0058D12A	Cog Wheel - 56 Tooth
17	1	EAC0058D13A	Cog Wheel 28 Teeth
18	1	EAC0058D58A	Safety Cover
19	1	EAM0125G60A	Sape Support

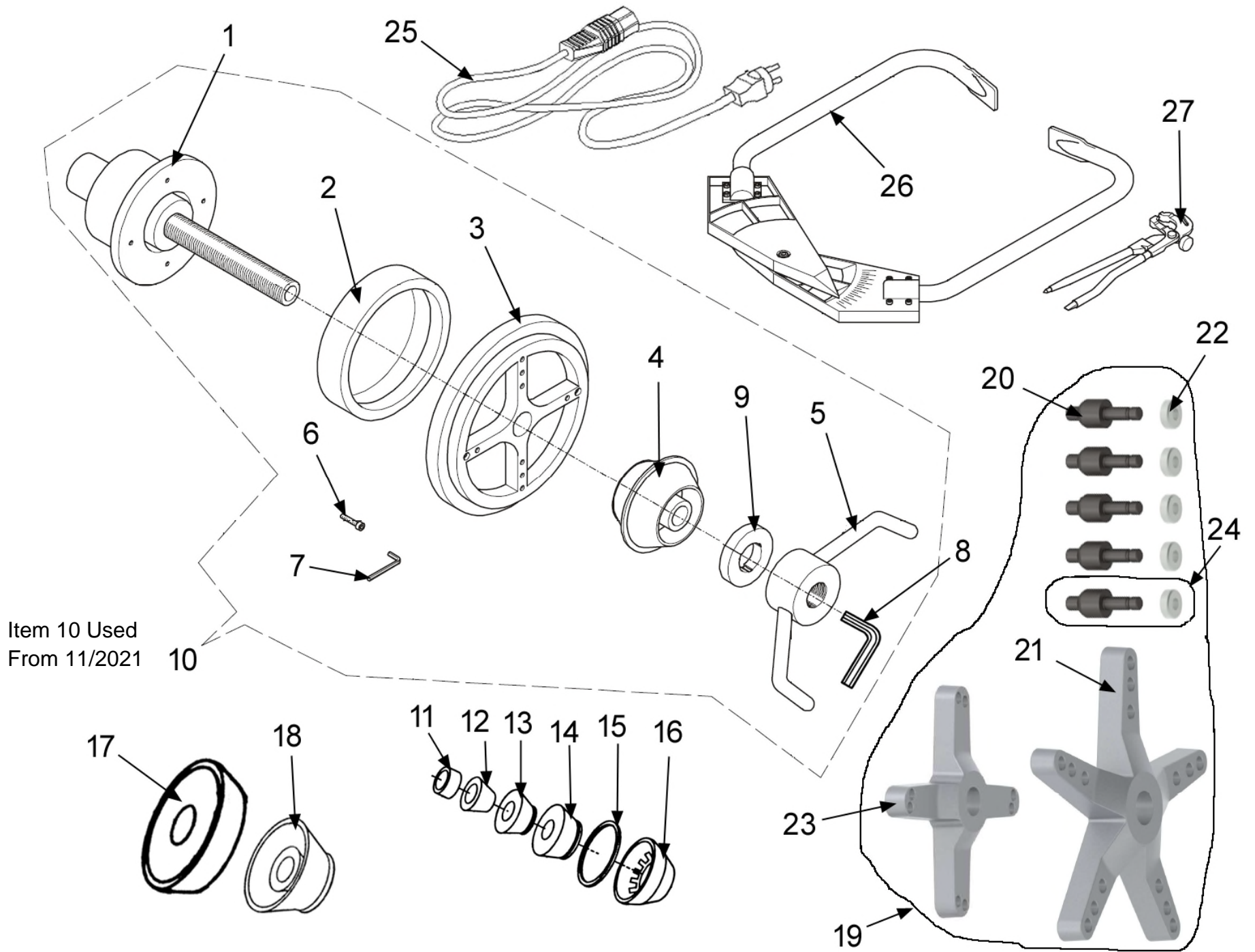
Ref	Qty	Part Number	Description
20	1	EAL0349G31A	Distance Scale
21	2	EAM0005D35A	Reel-Guiding,Sape
22	1	EAM0053G08A	Standard. Rod Sape, Truck
23	1	EAM0053G30A	Standard. Rope Reel Truck
24	1	1-13865A	Bushing Igus
25	1	1-4577	Ring-Snap,25 X 1.20
26	1	EAM0068G76A	S2-2D Sape Bushing
27	1	EAM0033D46A	Disk Touching Truck
28	1	EAM0033D44A	Ejector Truck
29	1	1-3977	Retaining Ring
30	1	EAM0033D45A	Arm - Adjuster Truck Sape
31	1	1-08668A	Spring Compression
32	1	1-3624	Screw 5 x 40 mm

3-52226AF1
SD card used to program
not included



Ref	Qty	Part Number	Description
	1	EAA0338G83B	Complete Electronic Box
1	7	1-13606A	Screw-Phms,M4 X 6mm W/ Lockwasher
2	1	1-14461A	Spacer M4X50
3	1	2-01429A	Capacitor - 10Uf, 400V
4	1	2-01529A	Capacitor - 20Uf, 400V
5	1	2-13258A	Main Switch
6	2	2-21251A	Fuse-Time Delay, 250V, 6.3 Amp
7	1	2-64948A	Entry Power Module
8	3	5-845	Cable Tie Plastic
9	1	EAL0341J98A	Label-Balancer Warnings, Ebox
10	1	8-23762A	Label - Earth Symbol
11	2	1-15933A	Nut - Hex, M8 X 1.25 Din 936
12	1	EAA0346J15A	Frame Assy - IBP Bal Box
13	1	EAC0087G52A	Memory Card
14	2	1-23223A	Screw-Phms,M2.9 X 1 X 13mm
15	1	EAL0349G44A	Fuses Caution

Ref	Qty	Part Number	Description
16	1	EAP0276G40A	Motorized Integrated
17	1	EAS2092G08A	12 Cover For New Dig. Box
18	1	EAW0239D07A	Cable - Grounding
19	1	EAW0240G79A	Main Cord
20	1	2-17947A	Socket-Multipole. Wago
21	2	1-23333A	M8 Jam Nut



Ref	Qty	Part Number	Description
1	1	EAA0260D31A	Basic Plate shaft 240 mm long
2	1	1-54684A	Spacer
3	1	EAA0260D32A	Gold Spacer
4	1	EAA0260D36A	Cone 122 - 174 mm
5	1	EAA0260D34A	Wing Nut
6	2	1-16509A1	Screw
7	1	8-03550A	Wrench
8	1	8-01350A	Wrench 14 mm
9	1	8-02040A1	Spacer, Ring nut
10	1	EAA0537G51A	Truck Wheel Adapter kit
11	1	EAM0058D68A	Spacer
12	1	EAM0005D23A	Cone 42 – 77 mm 1.70 – 3.15”
13	1	EAM0005D24A	Cone 72 – 99 mm 2.8 – 3.9”
14	1	EAM0005D25A	Cone 96 – 116 mm 3.8 – 4.57”
15	1	110410000	Pressure Cup Cushion
16	1	8-02040A2	Pressure Cup
17	1	EAM0050J24A	2-sided Cone 8 – 9”, 220 mm step
18	1	EAM0050J23A	Light Truck Cone 4.15 – 6.94”
19	1	EAA0307G80A	4 & 5-Star Centering Arms Kit
20	5	1921080	Truck Stud Rounded end

Ref	Qty	Part Number	Description
21	1	1921004	5 Star Adapter w/o studs and nuts
22	5	1921081	Nut for Stud
23	1	1921005	4 Star Adapter w/o studs and nuts
24		1921003	Stud & Nut Rounded end
*		112105000	Stud & Nut Flat end * Optional
25	1	EAW0290J26A	Power Cable 5 Meters
26	1	8-00391A	Rim Width Calipers, Truck
27	1	00058839000	Weight Pliers



Notice: The information contained in this document is subject to change without notice. Hofmann makes no warranty with regard to this material. Hofmann shall not be liable for errors contained herein or for incidental consequential damages in connection with furnishings, performance, or use of this material.

309 Exchange Ave
Conway, AR 72032
501-450-1500

Geodyna 980L Spare Parts List

TEEWB710B3_TS

DSS

12/2023