

Service Parts Manual



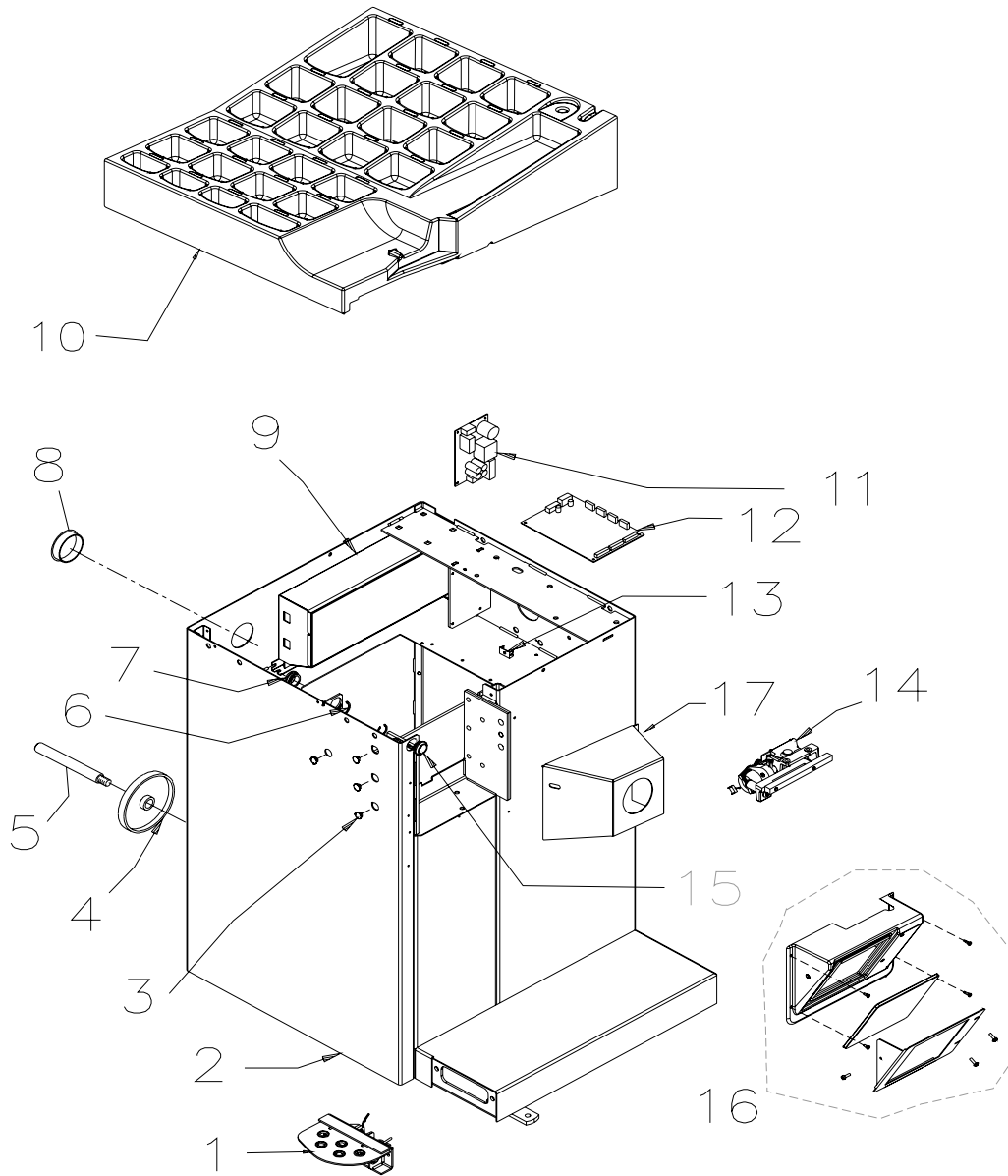
EEWB723A

All information contained or disclosed in this document is considered confidential and proprietary by Snap-on Tools Company. All manufacturing, use, reproduction, and sales rights are reserved by Snap-on Tools Company and the information contained herein shall not be used in whole or in part without the express written consent of Snap-on Tools Company.

Table of Contents

Cabinet Assembly	2
Vibratory and Cones	4
Upper Display	6
Upper Display Assembly	7
Hood Guard Pivot	8
Sonic Assembly	10
Foot Pedal Assembly	12
SAPE Assembly	13

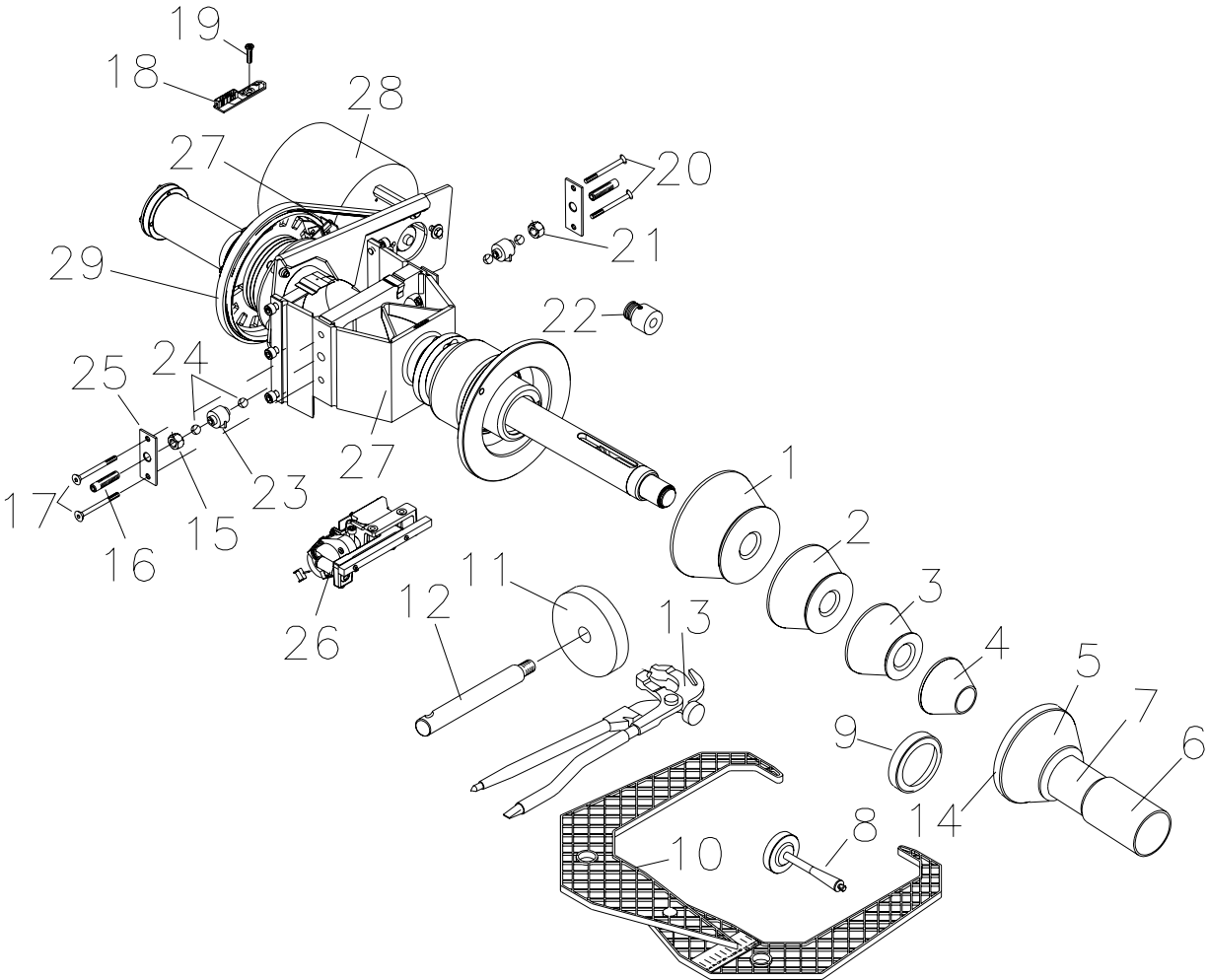
Cabinet Assembly



1572b: M1 cabinet assembly

No.	Snap-on P/N.	Description	Qty	Note
1	EAA0332G26A	Brake pedal assembly	1	
2	EAS2081J98A	M1 cabinet	1	RAL 3000
3	8-7216	Plug	4	
4	EAC0060G02A	Flange cover, accessory	4	
5	EAM0006G01A	Hook accessory storage	4	
6	1-13877A	Ring snap	2	25 x 1,2
7	EAM0005D39A	Bushing inside sape	1	
8	1-1276	Dome hole plug	1	
9	EAA0338G83B	Digital box - IBP	1	
10	EAC0058D42A	Weight Tray	1	
11	2-48066A	12V switching power supply	1	
12	EAP0204G50F	Programmed camera processor board	1	
13	2-23201	Flat plug grounding	3	
14	EAA0307G13A	Inside scanner assembled unit	1	
15	EAM0005D38A	Bushing outside sape	1	
16	EAA0307G14A	Inside laser protection complete	1	
	EAM00066G67A	Glass - Bottom		
	EAS2067G76A	Bracket Bottom Glass		
	1-16309	Screw SHCS M6 X 16mm		
	1-17559A	Nutsert		
	EAL0341J72A	Decal - BFH 800		
17	EAS2103J22A	Vibratory Cover	1	

Vibratory and Cones



VIBRATORY AND CONES

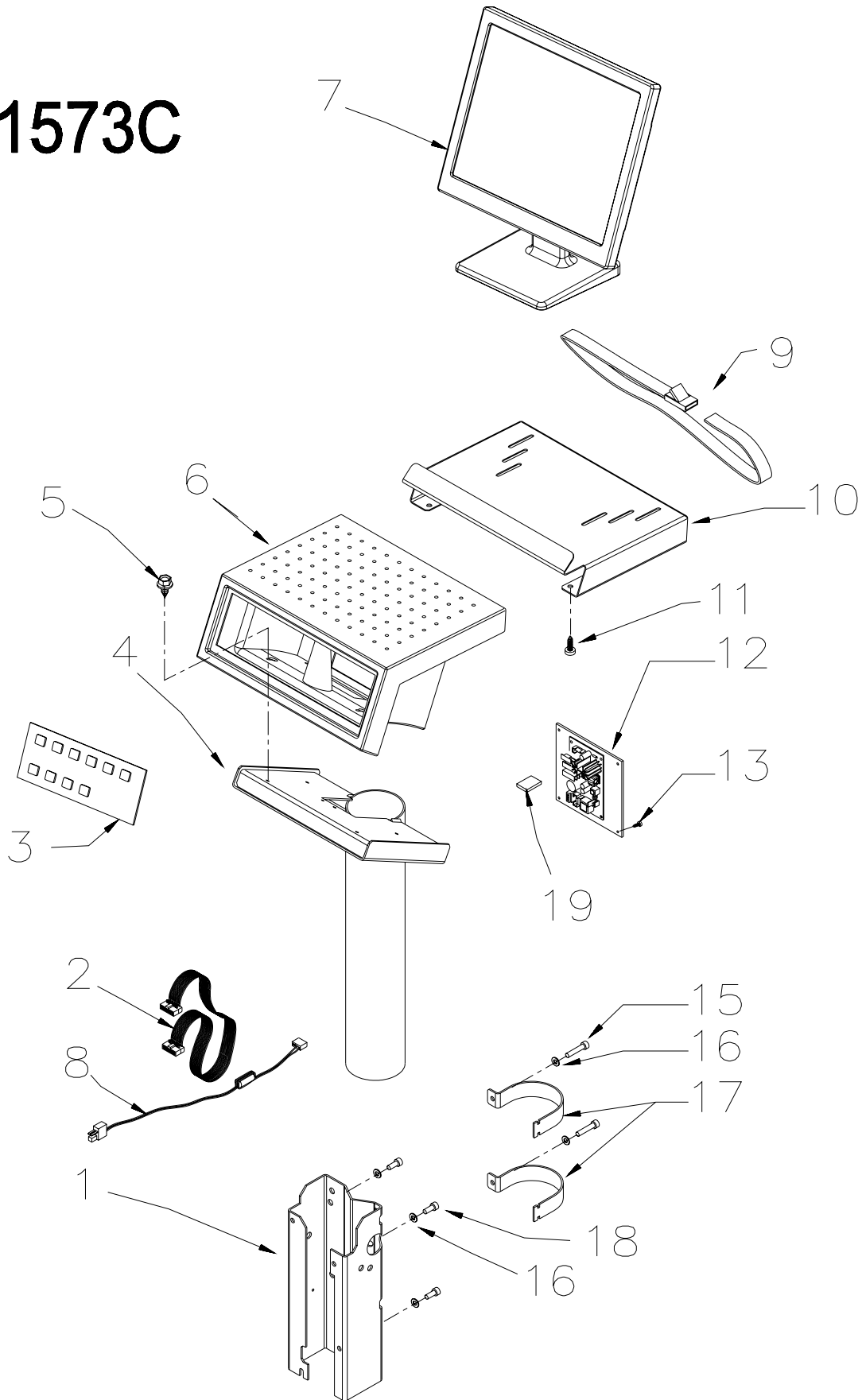
EAA0344G06A

Vibratory system "P" optima

<u>Ref</u>	<u>Qty</u>	<u>Part Number</u>	<u>Description</u>
1	1	EAM0003J08A	Cone-Truck, 29 Deg
2	1	EAM0003J07A	Cone-Large
3	1	EAM0003J06A	Cone-Small
4	1	EAM0003J05A	Cone-Small
		EAA0307G54A	Power Clamp Nut Assembly
5	1	EAC0058D07A	Cup - Large Pressure
6	1	EAM0005D54A	Plastic Sleeve
7	1	EAA0283D53A	Power Clamp Nut
8	1	EAM0005D40A	Calibration Weight
9	1	EAC0058D08A	Small Pressure Disk
10	1	EAA0247G21A	Caliper-Rim Width
11	4	EAC0060G02A	Flange - Cover,Access
12	4	EAM0006G01A	Hook - Accessory Storage
13	1	00058839000	Tool - PDQ Weight
14	1	EAC0058D15A	Rubber Ring
15	1	1-11833	Nut-Hex M 10 X 1 DIN 934
16	2	EAM0005D07A	Setscrew - Hex Socket M 10 X 1
17	2	1-19903A	Screw Hex Socket / Countersunk M 4 X 65
18	1	EAA0344G00A	Encoder PCB
19	1	1-13004	Screw Phillip Pan HD M 4 X 6
20	2	1-17403	Screw Hex Socket / Countersunk M 4 X 25
21	1	1-4034	Nut - Hex M 10 X 1 DIN 439
22	1	EAM0005D08A	Pulley Small
23	1	EAA0260D59A	Transducer
24	4	8-1144	Ball, Steel
25	2	1-2967	Pretension Spring
26	1	EAA0307G13A	Inside Scanner
27	1	EAA0344G06A	Vibrator Ass'y-motorized
*	1	EAP0201D20A	Power Clamp Encoder
28	1	EAA0266D29A	Motor 230V/50-60HZ
29	1	8-3531	Multirib Belt 5 PJ 711 Din 7867
*	1	EAW0239D00A	Ribbon Cable Vibratory

Upper Display

1573C



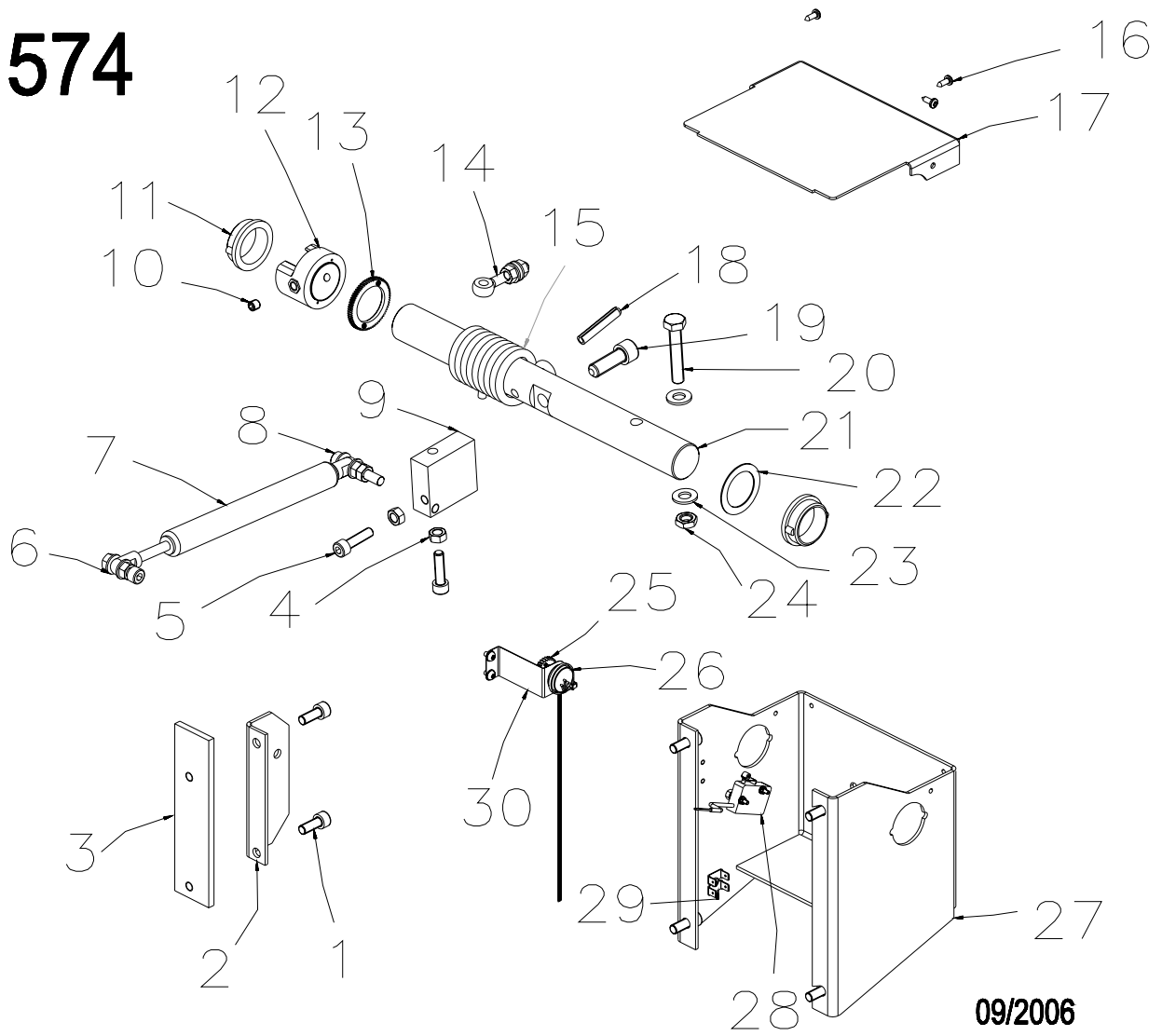
Upper Display Assembly

1573b: User interface assembly

No.	Snap-on P/N.	Description	Qty	Note
1	EAS2103J21A 1-18359A	Tower Spacer, Assembled Nutsert M8 X 1.25	1	
2	EAW0233J18A	Wiring Harness	1	
3	EAA0307G67A	keyboard	1	
4	EAA0313D88A	Column, Monitor Support	1	
5	1-11626A	Self tapping screw	4	M6 x 12
6	EAC0058D88A	Display housing	1	
7	3-01908A	LCD monitor	1	15"
8	EAW0240G48A	Power Cable Embedded PC	1	
9	5-12926A	Monitor locking bend	1	
10	EAS2058D94A	Support for monitor	1	
11	1-22323A	Screw	4	5,5 x 16
12	3-01509A EAS2086G67A	Embedded PC Assembled (Without CF) Support Plate	1	
13	1-20423	Screw	4	4,2 x 13
15	1-18209A	Screw	2	M8 x 45
16	1-10041	Washer	6	Ø 8,4
17	EAS2067G29A	Monitor tower clamping hook	2	
18	1-17709	Screw	4	M8 x 20
19	3-02309A	Module Flash 44 pin vert	1	

Hood Guard Pivot

1574

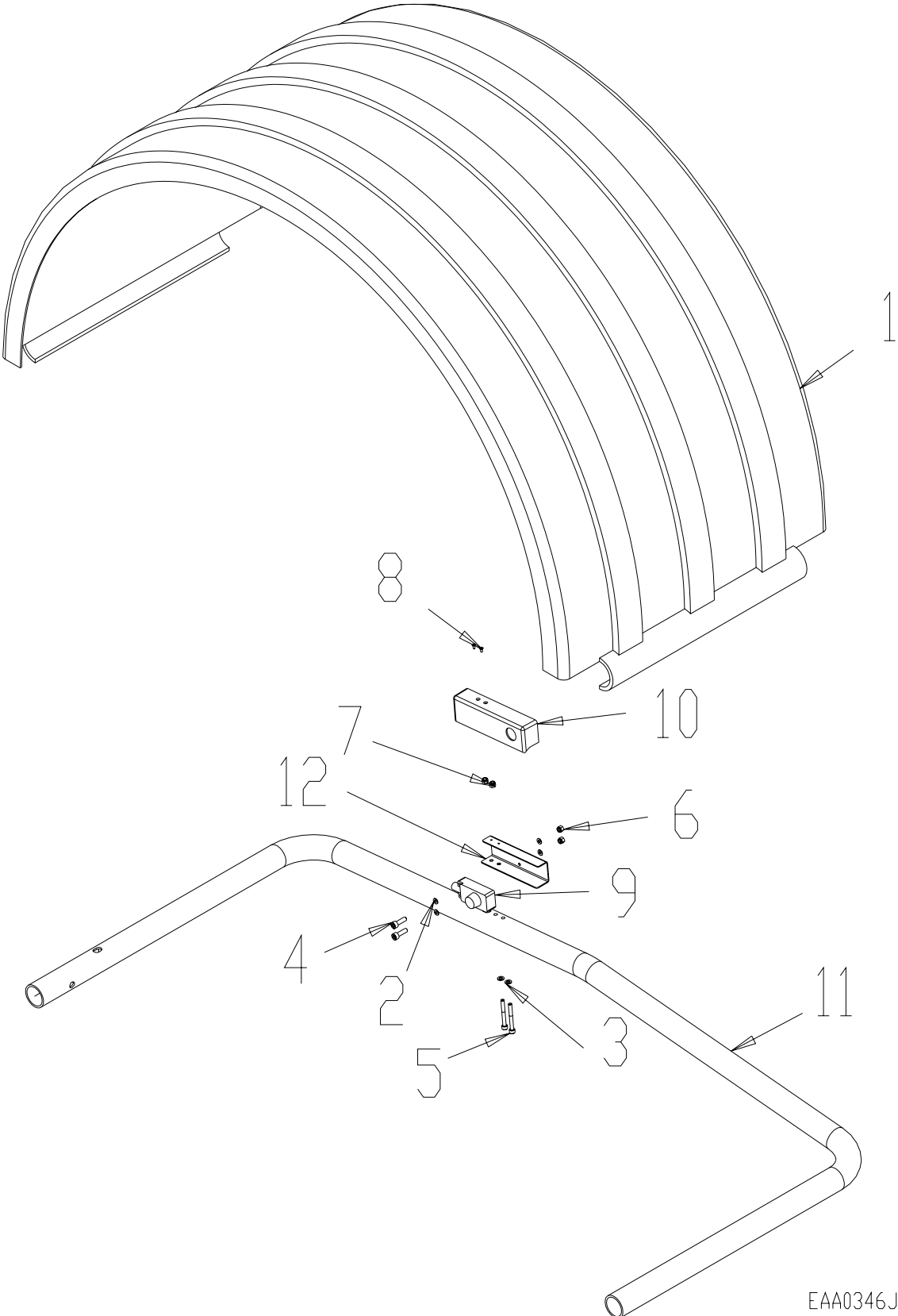


09/2006

1574b: Hood Guard Pivot

No.	Snap-on P/N.	Description	Qty	Note
1	1-17709	Screw	6	M8 x 20
2	EAS2081J66A	Brake attachment angular	1	
3	EAM0052G48A	Anchor plate	1	
4	1-11733	Nut	8	M8
5	1-17909	Screw	3	M8 x 30
6	1-10041	Washer	10	Ø 8,4
7	1-05369A	Hydraulic brake	1	
8	1-18209	Screw	1	M8 x 45
9	EAM0052G47A	Wheelguard stop	1	
10	1-49010A	Screw	1	M8 x 8
11	EAC0058D36A	Bushing	2	Ø 32
12	EAC0058D38A	Switch ring	1	
13	EAC0087G28A	Cog wheel	1	Z=56
14	1-01530	Eye Bolt	1	M8 x 50
15	1-04267A	Wheelguard spring	1	
16	1-17923	Screw	3	4,2 x 13
17	EAS2081J67A	Cover for wheelguard support	1	RAL 9005
18	1-12452	Pins-straight slotted	1	Ø 8 x 45
19	1-20409	Screw	1	M12 x 45
20	1-35001	Screw	1	M10 x 55
21	EAM0048G32A	Standardized Wheel Guard Shaf	1	M1
22	1-22441A	Shim ring	1	32 x 45 x 1
23	1-10141	Washer	2	Ø 10,5
24	1-18733A	Nut	1	M10
25	EAC0058D13A	Cog wheel	1	Z=28
26	EAW0240G71A	Wheel guard Potentiometer	1	
27	EAA0346J04A	Wheelguard Support	1	RAL 9005
28	EAW0233J08A	Micro switch	1	
29	2-23201	Flat plug grounding	1	
30	EAS2092G04A	Transducer support	1	
	EAC0053J16A	Plate - Microswitch		
	2-076557A	Clamping Device W/nut		

Hood and Sonic Assembly



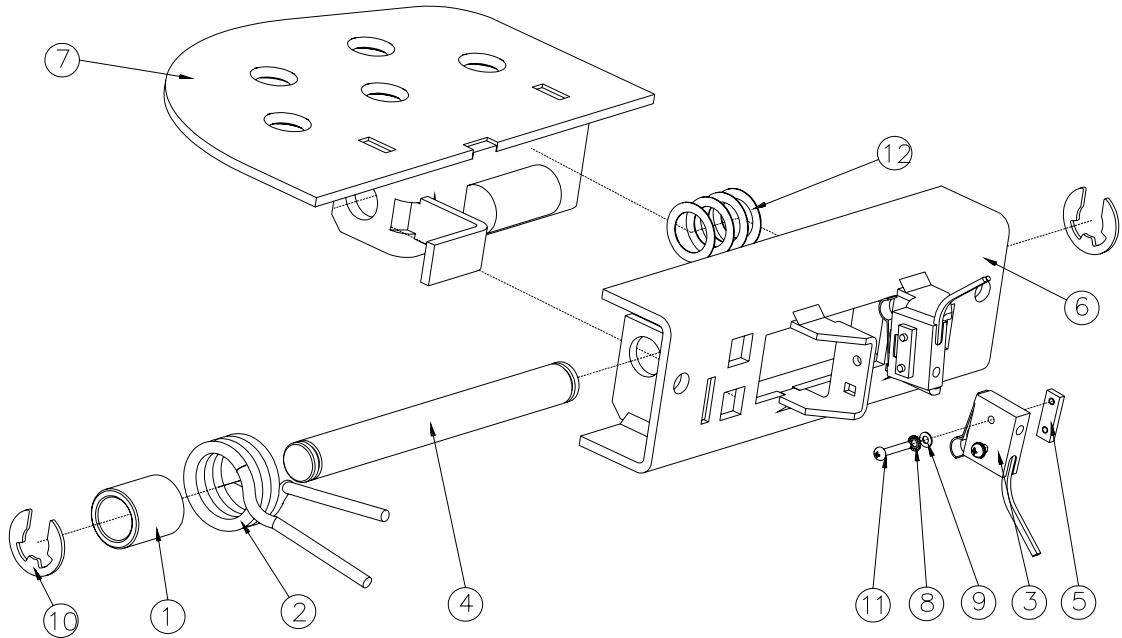
EAA0346J01A

EAA0346J01A: Hood and Sonic Assembly

No.	Snap-on P/N.	Description	Qty
1	2800051	WG-COVER G2600/2800	1
2	1-9641	WASHER PLAIN M4	4
3	1-9741	WASHER-5MM PLAIN	2
4	1-13709	SCREW-SHCS M4 X 20MM ZINC	2
5	1-15609	SCREW-SOC HD CAP M5 X 45	2
6	1-01737A	NUT-ESNA M4	2
7	1-20833A	NUT-M5 SELF LOCKING	2
8	1-22823A	SCREW-FLH 2.9 X 6.5 PHIL TAP	2
9	2-48166A	SENSOR-ULTRASONIC BFH	1
10	EAC0087G29A	COVER-ULTRASONIC SENSOR BFH	1
11	EAM0050J02A	TUBE-BFH 800 WHEEL GUARD	1
12	EAS2081J69A	SUPPORT-SONAR BFH	1

Foot Pedal Assembly

1561



04/2006

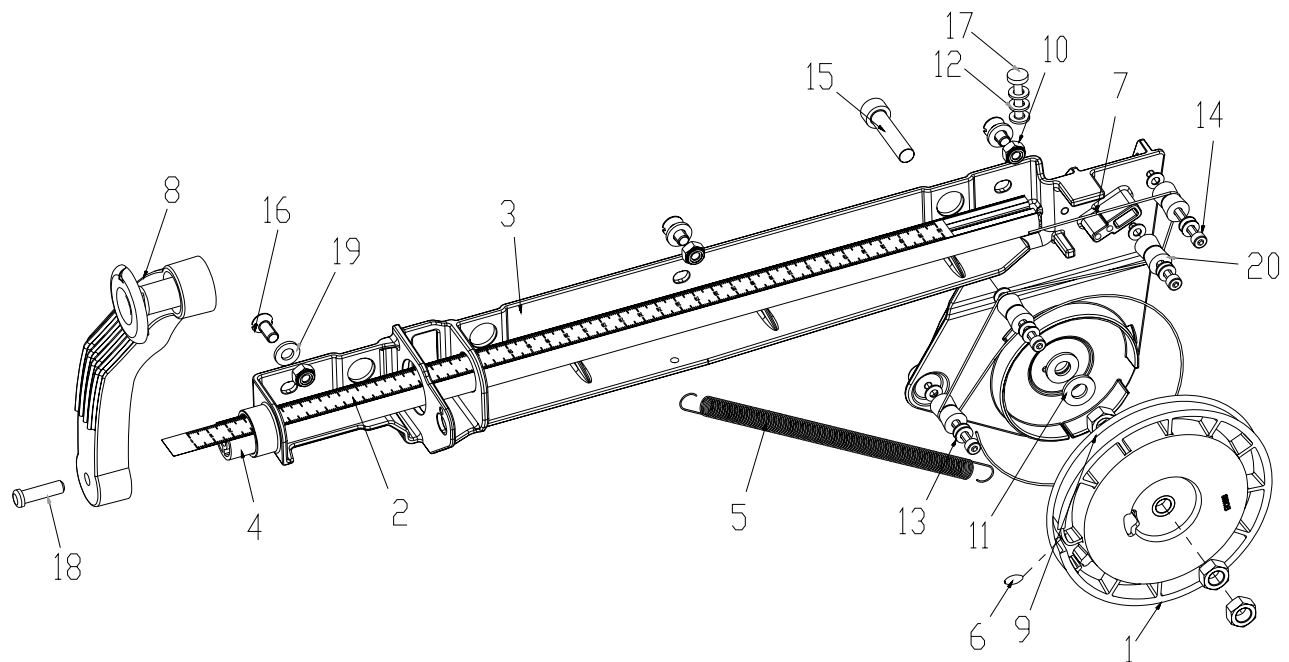
Fig. 1561: Pedal assembly

EAA0332G26A Brake pedal assy

- | | | |
|----|-------------|--------------------------------|
| 1 | EAM0051G96A | Bushing cent. spring br. pedal |
| 2 | EAM0048G78A | Spring, pedal switch |
| 3 | 2-07661A | Microswitch |
| 4 | EAM0046G39A | Pedal pin |
| 5 | EAM0046G40A | Threaded block |
| 6 | EAS2090G15A | Brake pedal support |
| 7 | EAS2089G80A | Welded pedal |
| 8 | 1-1048 | Washer external shakeproof |
| 9 | 1-9341 | Washer |
| 10 | 1-18477A | Retaining ring |
| 11 | 1-9804 | Screw, phillips head |
| 12 | 1-25241A | Shim ring |

D. 2mm
 A 2.2-A2J-DIN 125A
 10x1.2mmA2R DIN6799
 M2x12
 D12.2x18x0.3mm DIN988

SAPE Assembly



SYM	REQ	PART NO	DESCRIPTION
1	1	EAC0058D06A	Riemenhalterolle mit Einlegeteil Rope Reel 290mm
2	1	EAL0349G31A	DISTANCE SCALE DECAL (MM)
3	1	EAC0087G60A	M1 SAPE SUPPORT
4	1	EAM0053G19A	STANDARD. ROD SAPE, M1
5	1	1-06567A	STAND SAPE TENSION SPRING
6	1	2-07557A	SLEEVE OVAL COMPRESSION
7	1	6-00404A	ROPE HEMINGWAY DYNEEMA 40
8	1	EAA0307G23A	SAPE ARM EUROPE NO EJECTOR
9	3	1-11733	NUT M8 6S STAND WHITE ZINC
10	3	1-16633A	NUT,SELF LOCK. ALL-METAL M6 A2J DIN6925
11	2	1-10041	WASHER D.8 UNI6592-69/DIN125
12	3	1-9741	WASHER-FLAT, M5 X 10.0OD X 1MM THK
13	12	1-9641	PLAIN WASHER D4mm
14	4	1-13909	SCR - HEX SKT HD CAP (M4 x 30mm)DIN912
15	1	1-54709A	SCREW HEX SK. M8X35 8.8All threadDIN912
16	3	1-03405A	MSCR, OVAL HD M 6 x 14mm
17	1	1-13609	SCREW-HHCS,M4-16 X 8.8
18	1	1-3824	SCREW-SELF TAP,6 X 12MM
19	3	1-9841	WASHER PLAIN, 6mm
20	4	EAM0005D35A	REEL-GUIDING,SAPE

Notice: The information contained in this document is subject to change without notice. **Snapon Equipment** makes no warranty with regard to this material. **Snapon Equipment** shall not be liable for errors contained herein or for incidental consequential damages in connection with furnishings, performance, or use of this material.

This document contains proprietary information which is protected by copyright and patents. All rights are reserved. No part of this document may be photocopied, reproduced, or translated without prior written consent of **Snapon Equipment**.