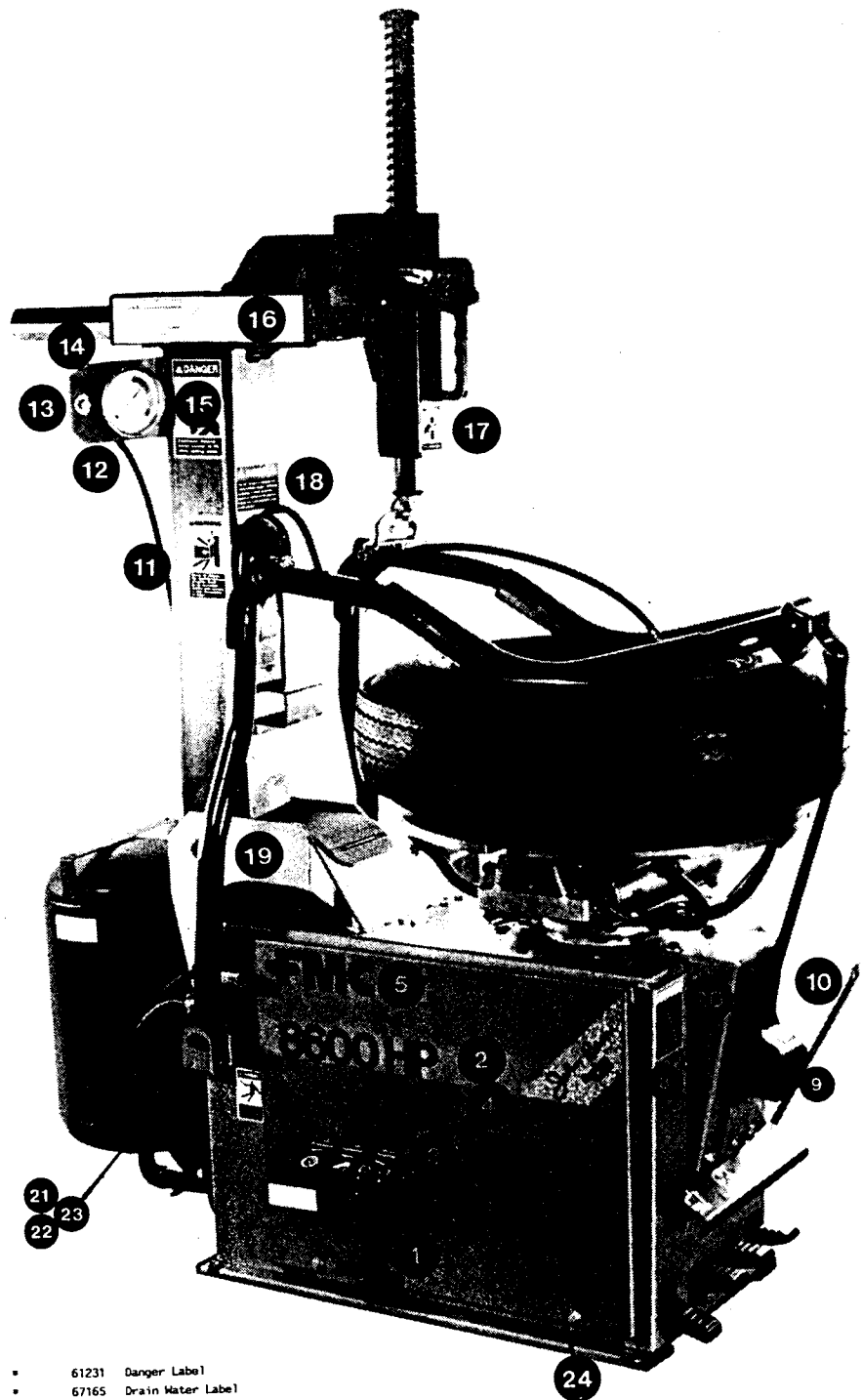


# **PARTS REFERENCE**

**High Performance Tire Changer**

**Model 8500/8600/JPO/JP1**

**FORM 4727-7**



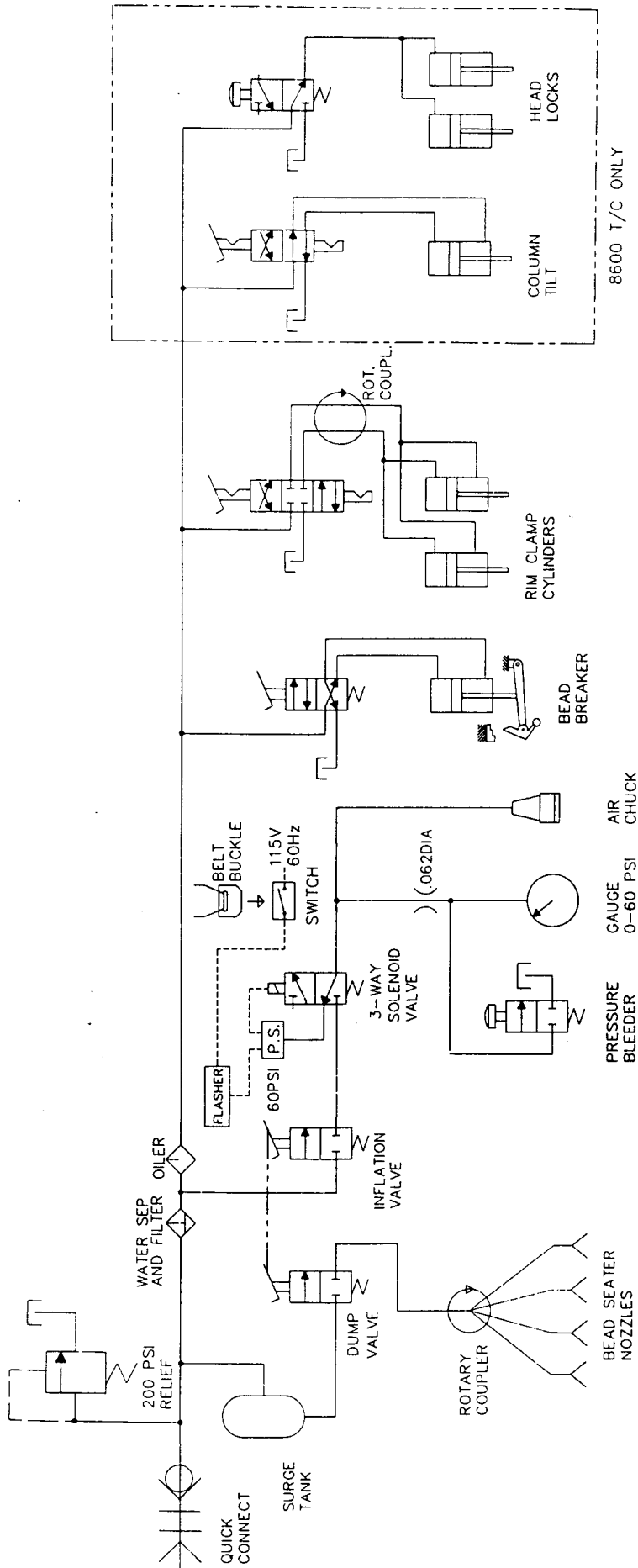
High Performance Tire Changer - Model 8500/8600

Label Positions & Misc. Parts Locations

Ref.No.	Part No.	Description
1	67171	Pedal - Inflator
2	67169	Label - 8600
	67168	Label - 8500
3	67172	Pedal Protector
4	985255	Striping - Red
5	81088	Label - FHC
*	67424	Label - Caution CSA
8	67289	Label - Warning, Belt
9	67132	Retractor
10	67004	Tire Tool
11	67273	Label - Warning, Clearance
12	67160	Bracket - Air Gauge
13	66474	Bleeder Button
14	66170	Air Gauge
15	66726	Label - Danger, Explosion
16	67162	Label - Safety Inst.
17	67163	Label - Caution
18	67282	Label - Danger
19	66814	Valve Stem Tray
20	67587	Forward/Reverse Rocker Switch
21	67270	Screw - Shoulder 1/2x2"
22	1100256	Washer - 3/8" Flat
23	1120240	Lock Nut - Hex, 3/8-16
24	66986	Side Panel (No attachments)
	67612	Replacement Side Panel Assy (8500)
	67613	Replacement Side Panel Assy (8600)

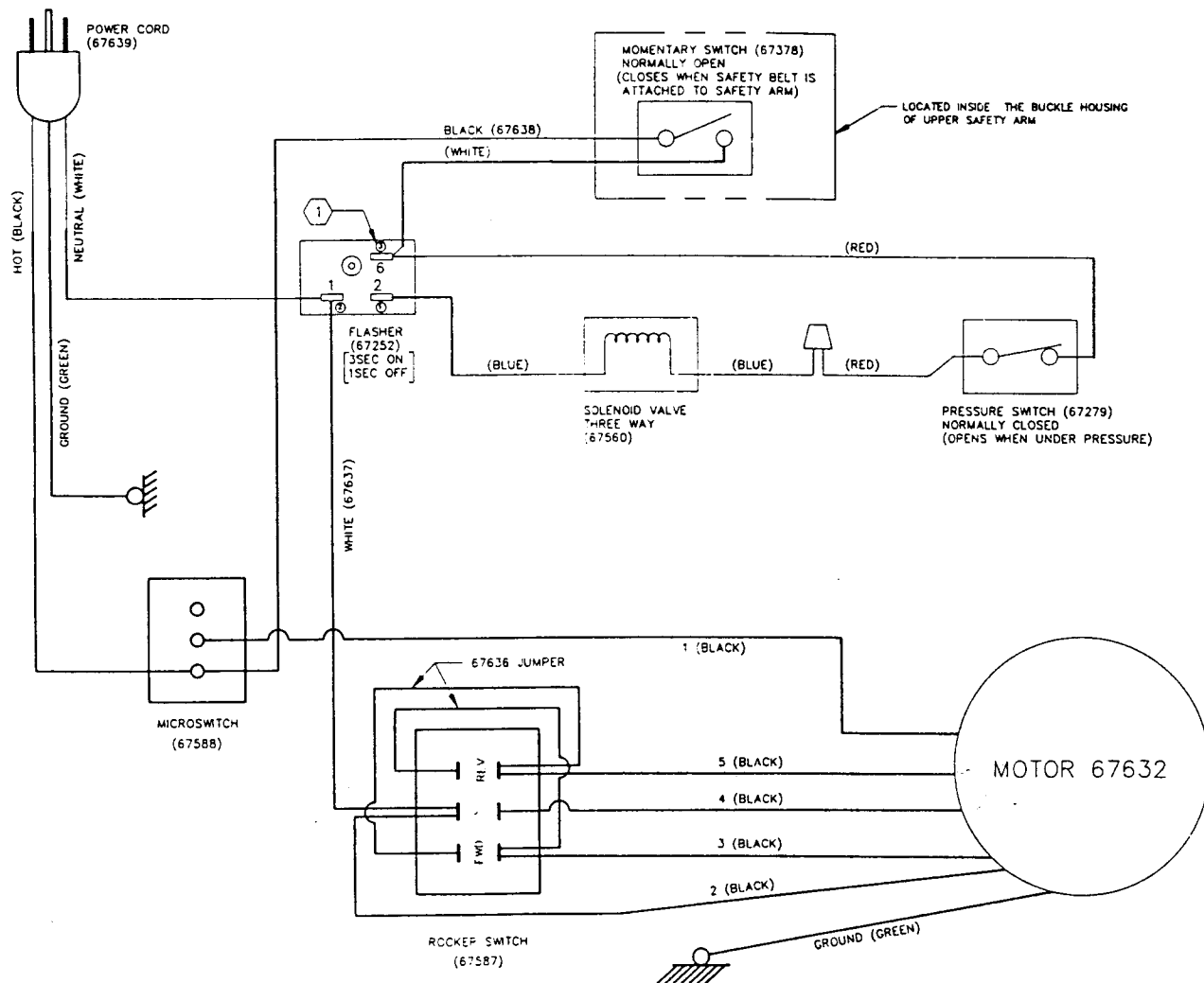
- \* 61231 Danger Label
- \* 67165 Drain Water Label
- \* 67166 Tire Inflation Label
- \* 67167 Restraint Device Label
- \* 67170 Bead Breaker Caution Label
- \* 67603 Patent Number Label
- \* 67566 LA Approval Label
- \* 80322 Warning Label
- \* 80323 Caution Label

\* NOT SHOWN REV. 4/17/89



Parts Reference - Pneumatic Schematic

REF	PART NO	DESCRIPTION	REF	PART NO	DESCRIPTION
1	66116	Large Dump Valve	*	1101915	Rubber Hose 1/4"
2	66115	Small Dump Valve	9	66170	Air Gauge
4	67252	Timer - 3 Sec. on, 1 Sec. off	*	1109845	Hex Nut #10-32
5	67253	Pressure Switch - 55/60 PSI	*	1100240	Lockwasher #10
6	67559	Valve - Solenoid, 3 way	10	66415	Air Chuck
*	1101204	Hose Clamp	11	67140	Inflation Hose
*	67537	Straight Barb Fitting(1/4NPTx3/8 hose)	12	67378	Momentary Switch - Safety Interlock
* NOT SHOWN			13	66293	Relief Valve - Surge Tank
			14	67557	Barb Fitting - 0.062" Orifice



MOTOR SWITCH OPERATION

FORWARD: C.C.W. ROTATION OF MOTOR SHAFT

REVERSE: C.W. ROTATION OF MOTOR SHAFT  
AS VIEWED FROM THE END OF SHAFT.

NOTE: 1) NUMBERS CIRCLED ARE FOR SYRELEC FLASHER  
NUMBERS NOT CIRCLED ARE FOR ICM FLASHER

**67700 Motor/Switch Assembly**

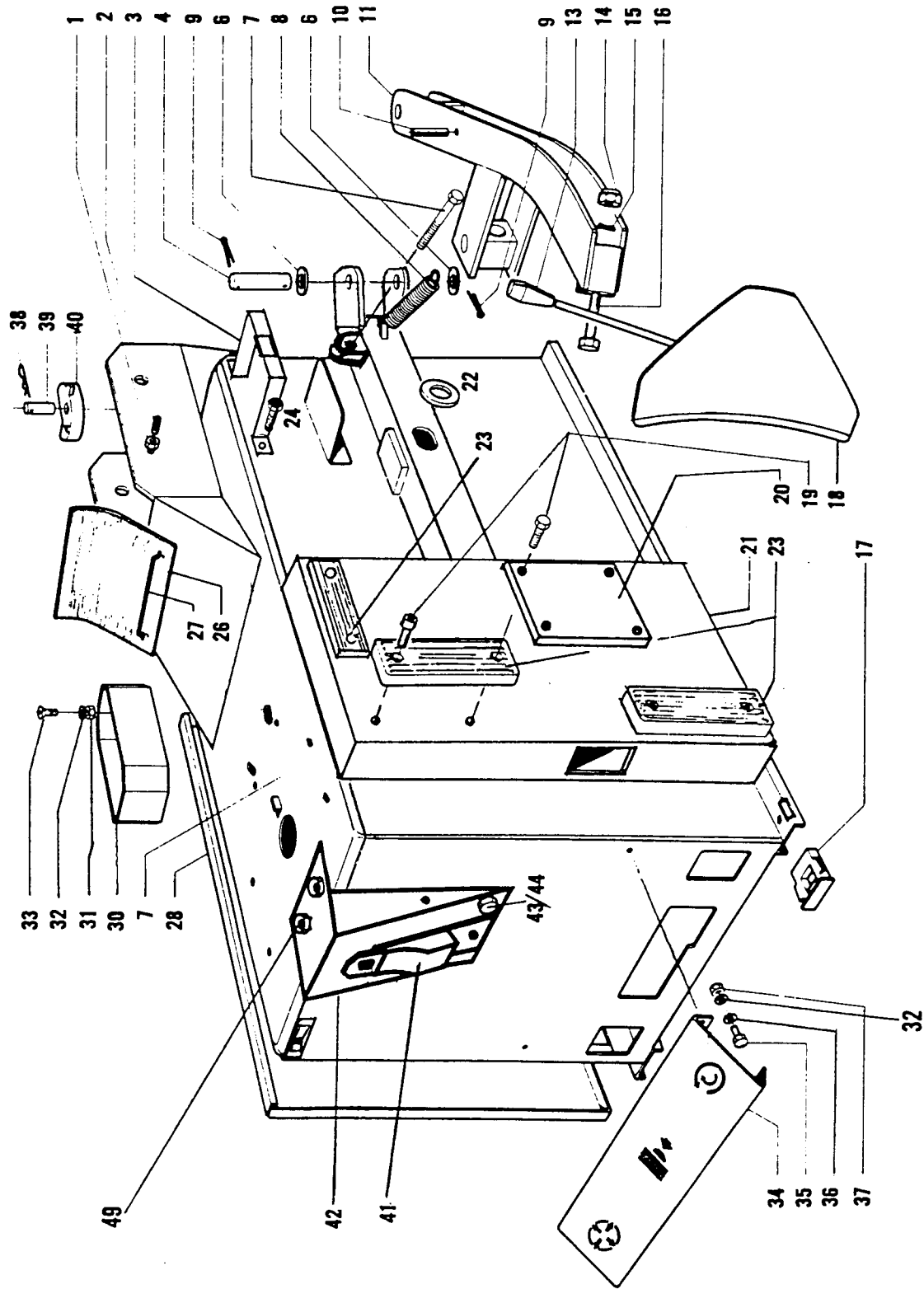
- \* 67627 Mounting Bracket (for MS)
- \* 1118054 Screw RHM #6-32x1.0"
- \* 1101760 KEPS Nut #6-32
- \* 1101893 ICD Rally 5618 Terminal
- \* 61116 Quick Connect Terminal

\* NOT SHOWN

- \* 68017 Grommet
- \* 1101932 Hole Plug 2.0"dia.
- \* 1228668 Strain Relief
- \* 68562 Electrical Junction Box
- \* 68563 Junction Box Cover
- \* 1115810 Screw RHP #10-24x1/2"
- \* 1101479 KEPS Nut #10-24
- \* 1187949 Int. Tooth L'Washer
- \* 1117021 Screw RHP #10-32x1/2"

MTRSWASY.WRK

Orig. 4/12/90



8500/8600 MAIN FRAME

Parts Reference - Main Frame 67626

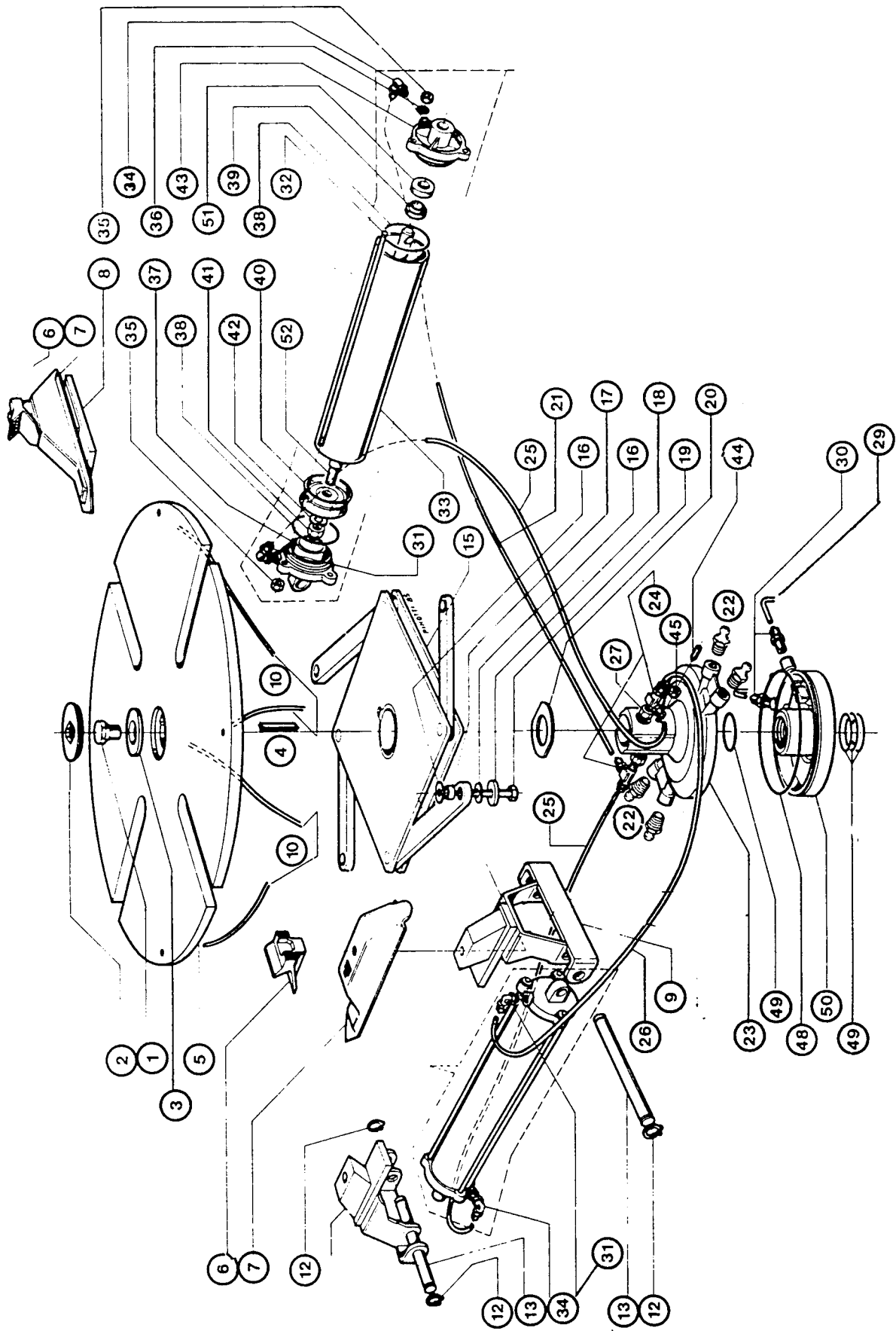
BULK HOSE PART NUMBERS

P/N	DESCRIPTION
67290	Tubing - Nylon, 10mm x 8mm
1101914	Rubber Hose, 3/8" dia.
1101915	Rubber Hose 1/4" dia.

Ref.No.	Part No.	Description	Ref.No.	Part No.	Description
1	66933	Nut - M10 GS	36	1107382	Flat Washer 5/16"
2	66965	Setscrew 10 x 25mm 12K	37	1182563	Hex Nut 5/16-18
3	66756	Lube Bottle Retainer	*38	66948	Clip - Dia 3mm
4	66825	Pin - Bead Breaker Arm	*39	66815	Pin - Tower
5	66946	Clip - 3 x 25mm	*40	66816	Plate - Locking
6	66942	Washer - Dia 16mm	**	66006	Lube Bottle
7	67270	Screw, Shoulder 3/8-16x1/2x2"	**	1267267	Lube Brush
*	1100255	Flat Washer 3/8"	**	67004	Tire Tool
*	1120240	Hex Lock Nut 3/8-16			
8	66826	Bead Breaker Spring			Retractor Assy. FMC PART NO. 67286
9	66946	Clip - 3 x 25mm			
10	66945	Split Pin 10x60	41	67132	Retractor (Seat Belt Assy.)
11	67583	Bead Breaker Arm Weldment	42	67281	Retractor Mount
13	67190	Lever Knob	**	67280	Retractor Slide
14	66993	Self-locking Nut	**	67269	Extension Spring
15	66994	Washer - 14mm	**	67288	Washer/Spring Retainer
16	66995	Screw - 14 x 100mm	**	1100069	Screw, HHC - 1/4-20 x 1"
17	66894	Square Foot	**	1100241	Lockwasher, 1/4"
18	67291	Blade & Knob Assy.-Bd.Brkr.	**	1121507	Hex Nut, 1/4-20
	66828	Bead Breaker Blade Wld	**	1100254	Washer, 1/4"
19	1102345	Screw 1/4-20x1.0"	**	1101609	Hex Nut - ESNA 1/4-20
20	67586	Rear Bearing Pad	**	1100064	Screw, HHC 1/2-13 x 1 1/2"
21	67626	Cabinet Weldment	**	1100257	Washer, 1/2"
22	66824	Bead Breaker Cushion Washer	**	1120242	Hex Nut (ESNA) 1/2-13
23	66822	Pad Support	**	1100255	Flat Washer 3/8"
24	1101501	Screw, 1/4-20 x 1/2"	**	67133	Cover - pawl end
26	66832	Protection Flap	**	1101589	Screw #6-20x5/8"
27	66831	Flap Retainer	**	1100250	Lockwasher #6
28	66986	Side Panel Weldment (bare)			
	67612	Replacement Side Panel Assy (8500)			
	67613	Replacement Side Panel Assy (8600)	43	1100064	Screw 1/2-13x1-1/2"
30	66814	Valve Stem Tray	44	1100245	Split Washer 1/2"
31	1101540	KEPS Nut 1/4-20	45	1101838	Screw, Hex Soc., 1/2-13 x 2"
32	1100242	Lockwasher 5/16"	46	67405	Rim Support Bracket
33	1101799	Truss Hd.Screw 1/4-20x3/4"	47	1102345	Screw 1/4-20x1.0"
34	66920	Protective Shelf, 8600	**	1120238	Hex Nut 1/4-20
	67374	Pedal Decal 8600	48	1101849	Self-tap Screw #12-24x3/8"
	66919	Protective Shelf, 8500	**	67627	Switch Bracket
	67373	Pedal Decal 8500	**	1100069	Screw 1/4-20x1.0"
35	1100045	Screw HHC 5/16-18x1.0"	**	1107381	Flat Washer 1/4"
			**	1101540	KEPS Nut 1/4-20
			49	66953	Screw 8 x 25 8G
			**	66938	Lockwasher Dia 8

\* 8500 ONLY

\*\* NOT SHOWN MAINFRM.WRK REV. 4/17/89



Parts Reference - Turntable Assy.: P/N 67696

Ref.No.	Part No.	Description	Ref.No.	Part No.	Description
1	66786	Turntable Screw	30	67592	Straight Fitting 4 x 6
2	66784	Protective Cover	31	67589	90 Deg. Swivel Fitting
3	66785	Washer	32	67654	Cylinder Stud M6
4	66949	Key, 10 x 8 x 50	33	67653	Brass Turntable Cylinder
5	67646	Turntable Weldment	34	67591	90 Degree Fixed Fitting
*	67699	Plastic Rim Protector	35	66928	Hex Nut M6 GS
6	67701	Clamping Jaw	36	67064	Lockwasher - D6
7	67648	Rim Guide	37	66792	Top Plate End
8	67650	Cylinder Support Weldment Slide	38	66794	O - Ring, Seal
9	67647	Slide Weldment	39	66795	Piston Rod Seal
10	1101914	3/8" Rubber Air Line(order by ft.)	40	66797	Rubber Piston
*	1101923	Hose Clamp (for 3/8" hose)	41	66931	Locknut
12	66943	Snap Ring	42	66940	Cylinder Washer, Dia 12
13	67059	Cylinder Support Rod	43	66793	End Plate (Bottom)
15	66790	Plate Assy.	44	67191	Set Screw
16	66789	Washer (thin)	45	66929	Nut - M8 GS
17	67061	Link Bushing	48	67357	Large Manifold "O" Ring
18	66889	Flat Washer (10x30x3)	49	67188	Small Manifold "O" Ring
19	67649	Screw - 10x90 10G	50	67126	Manifold Base Assy.
20	66806	Support Washer	*	67356	Manifold Base
21	67688	Air Hose, 4 x 6	51	66796	Seal Retainer
22	67537	Straight Barb Fitting	52	67062	Cylinder Rod
*	1101923	Hose Clamp	*	66761	Hose 3/4x18"
23	67354	Manifold Cap	*	67651	Turntable Cylinder Assy.
24	67593	Hose Tee Connector	*	66734	Adapter Kit - 8" Wheel
25	67689	Air Hose, 4 x 6	*	67351	Adapter - 8" Wheel (four reqd.)
26	67687	Air Hose, 4 x 6	**	67690	Eccentric Bushing (SVC)
27	67097	Adapter	*	67652	Spacer
*	67574	Hose Fitting Assy.	**	67702	Plastic Rim Protector Kit (12 ea.)
29	66896	Man. Base-Rim Clamp Air Hose	**	67703	Jaw & Plastic Protector Kit (1 of each)

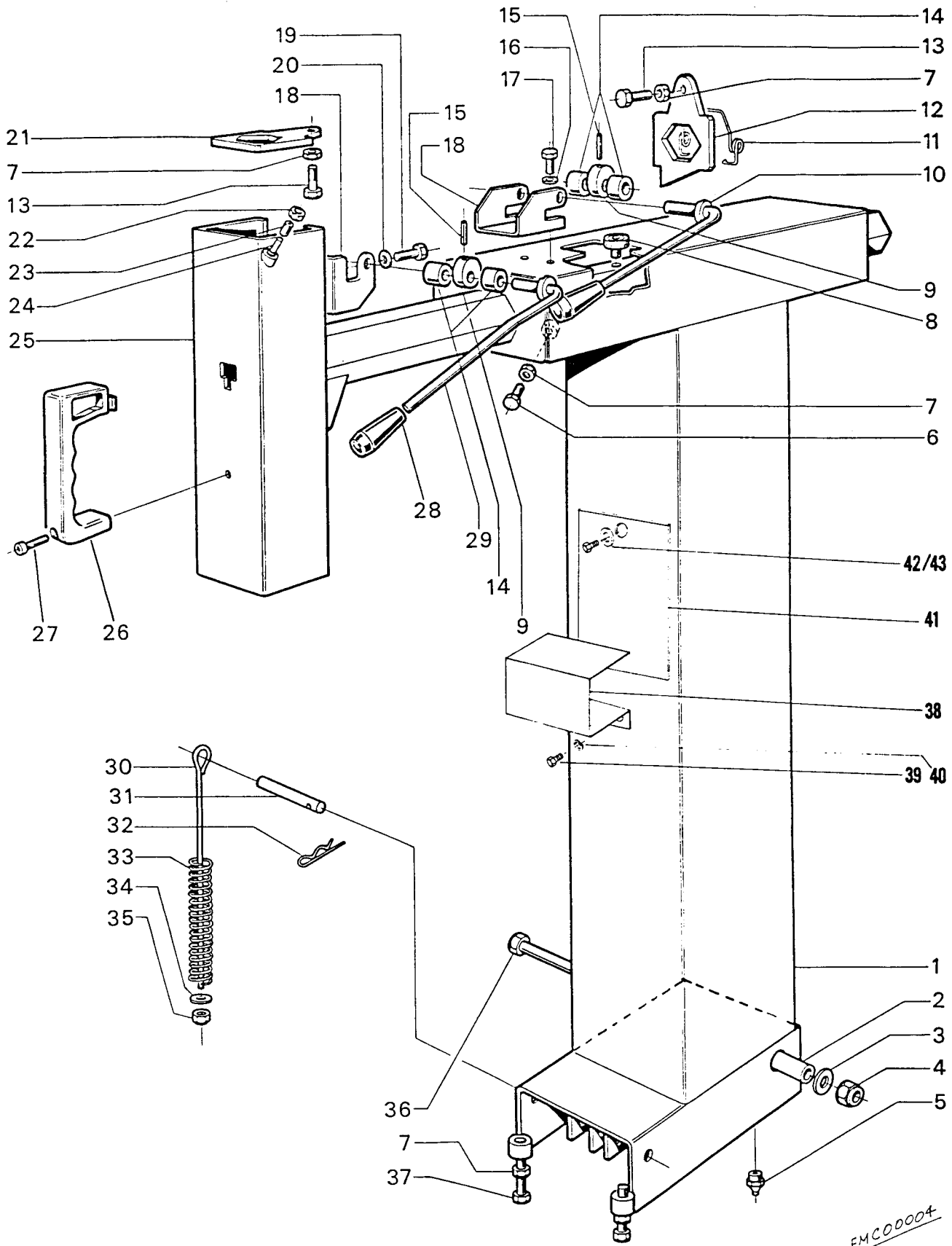
\* NOT SHOWN

TTASSY.WRK

REV. 4/12/90

\*\* NOT SHOWN - SERVICE ONLY





8500 TILTING TOWER

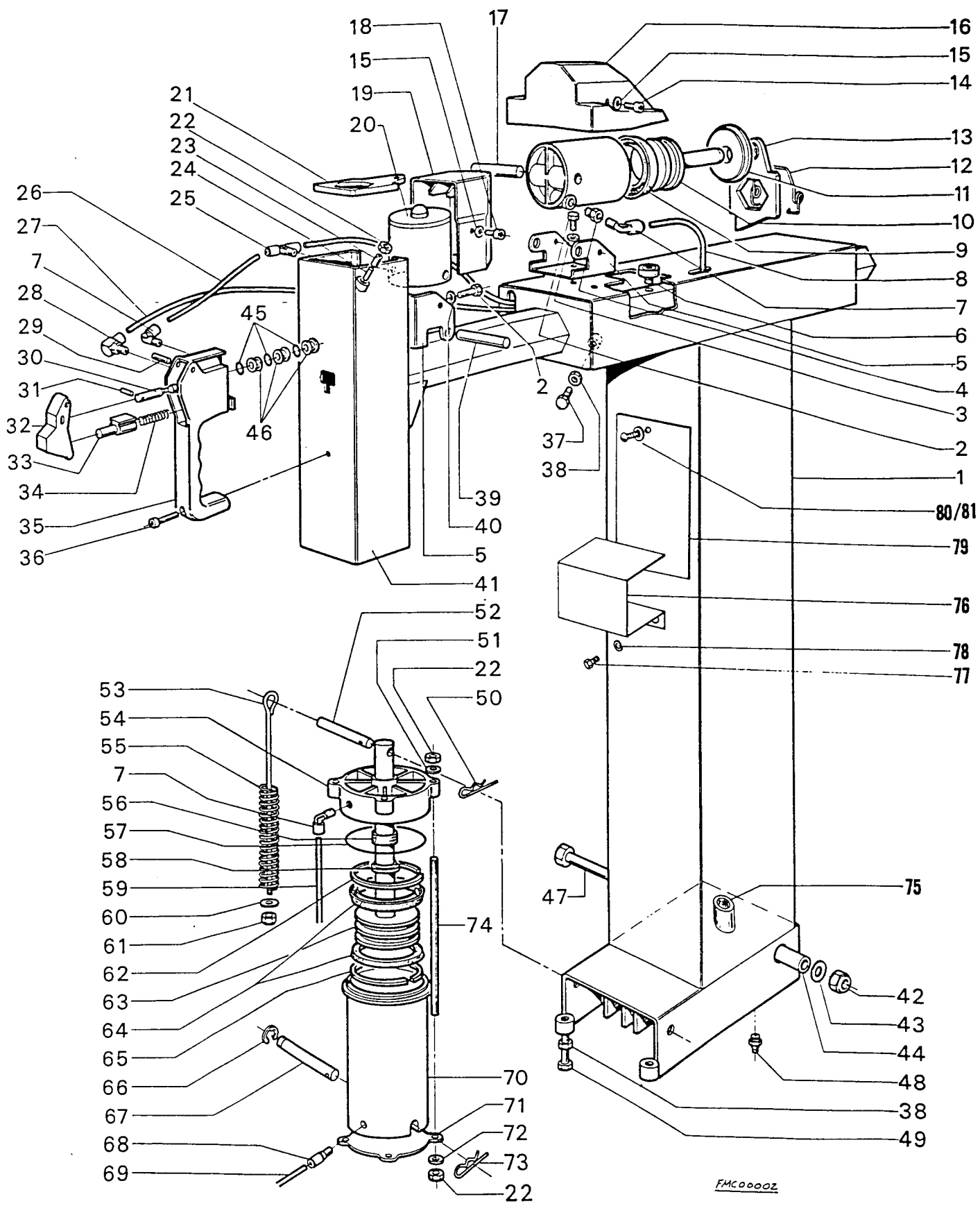
High Performance Tire Changer - Model 8500

Parts Reference - Tower

8500 Tower Assembly (Service) - 67571

Ref.	Part No.	Description	Ref.	Part No.	Description
1	67607	Tower Weldment	26	66772	Plastic Handle
2	66782	Spacer	27	66959	Screw - M6x50 8G
3	66789	Washer - 311 x 17	28	66781	Plastic Knob
4	67256	Nut - M18 GS	29	66779	Locking Lever
5	66895	Grease Fitting	30	66899	Shock Adsorber Rod
6	66886	Adjusting Screw	31	66903	Piston Pin
7	66926	Nut - M8 GS	32	66948	Clip - Dia 3
8	66908	Screw Stop	33	66783	Tower Spring
9	66776	Locking Cam	34	66889	Washer - 10x30x4
10	66780	Locking Lever	35	66930	Nut - M10 SS
11	66774	Spring	36	66956	Screw - 18x180 - 8G
12	66777	Latch Plate	37	67608	Screw - 8x40 8G
13	66886	Adjusting Screw	38	66183	Storage Bracket
14	67003	Lever Spacer	39	1100804	Screw 1/4-20x1/2"
15	66944	Split Roll Pin 4x30	40	1100241	Lockwasher 1/4"
16	66936	Washer - D8	41	67268	Rubber Pad
17	66954	Screw, 8x20 8G	42	1101710	Screw #10-24x5/8"
18	66901	Support	43	61746	Washer
19	66953	Screw	*	66996	Plastic Cover
20	66938	Washer - 8mm	*	67114	Cover Insert
21	66775	Latch Plate	*	66997	Plastic Cover
*	66774	Spring	*	67115	Cover Insert
22	66928	Nut - M6 GS	*	66960	Screw 6x8
23	67293	Screw - 6 x 16 12K	*	66939	Washer D6
24	67178	Pin 10x10	*	61231	DANGER Label
25	67007	Horizontal Slide			

\* NOT SHOWN 85006TWR.wrk REV. 3/8/89



FMC0000Z

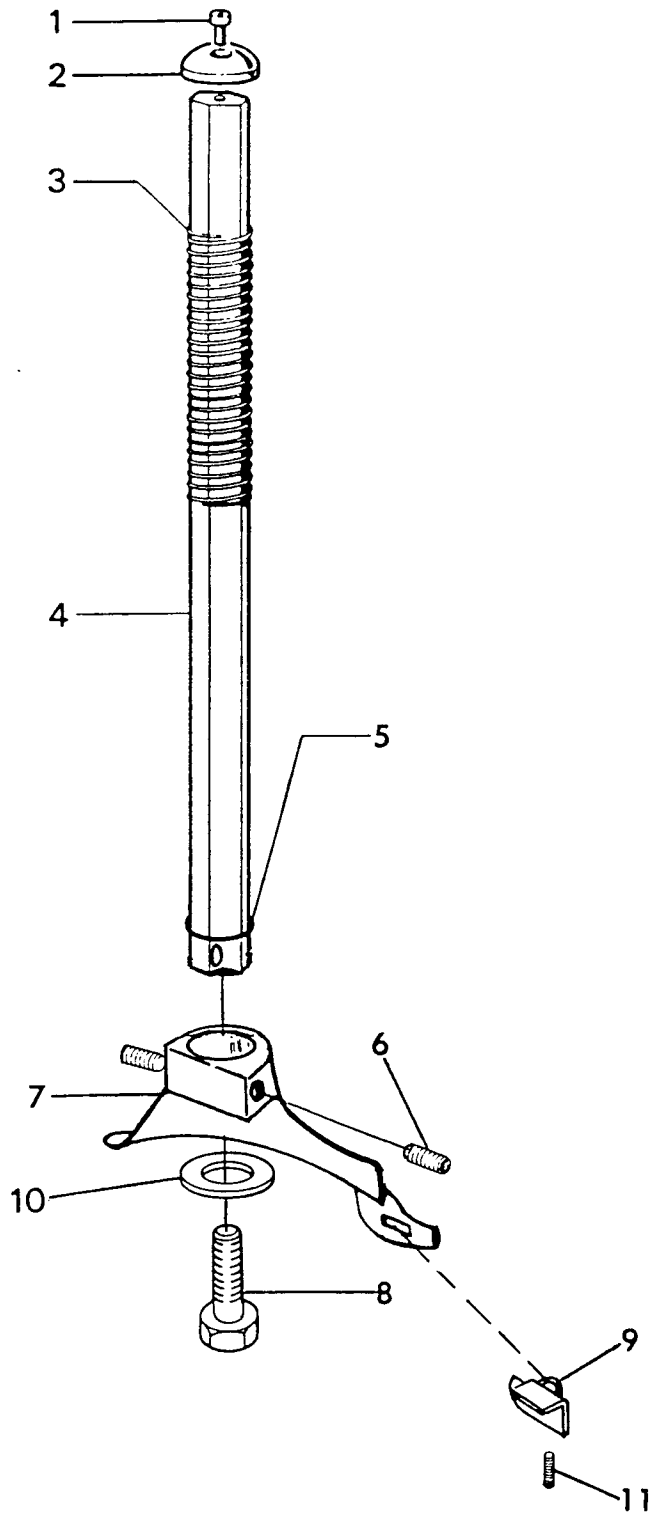
# 8600 TILTING TOWER

High Performance Tire Changer - Model 8600

Parts Reference - Tower

8600 Tower Assembly (Service) - 67572

Ref.	Part No.	Description	Ref.	Part No.	Description
1	67607	Tower Weldment	39	66904	Pin - Cylinder
2	66954	Screw - 8x20 - 8G	40	66938	Washer - Dia.8
3	66938	Lockwasher - Dia 8	41	67007	Slide - Horizontal
4	67097	Adapter	42	67256	Nut - M18 GS
5	66901	Support - Cylinder	43	66789	Washer - 311x17
6	66908	Stop Screw	44	66782	Spacer
7	67591	90 Deg. Fitting	45	66851	Seal - O Ring, Valve
8	67113	Hose - Air	46	67099	Bushing - Valve
	66869	Lock Cyl. Assy. - Horizontal	47	66956	Screw - 18x180
9	67100	Seal - Cup	48	66895	Fitting - Grease
10	67104	Piston	49	67608	Screw - M8x40
11	67105	Cap - Cylinder	50	66948	Clip - Dia. 3
12	66778	Spring	51	67015	Washer - Dia.6
13	66777	Plate - Latch	52	66903	Pin - Piston
14	66960	Screw, 6x8-8G	53	66899	Rod - Shock Absorber
15	66939	Washer - Dia. 6	54	67325	End Cap - Cylinder
16	66906	Cover - Plastic	55	66783	Spring - Tower
*	66869	Lock Cyl. Assy. - Horiz.	56	66795	Rod - Seal
17	66904	Pin - Cylinder	57	66870	Seal - O Ring
18	66960	Screw - 6x8	58	66796	Seal Retainer
19	66905	Cover - Plastic	59	66890	Air - Hose 4x6
20	66868	Lock Cyl. Assy. - Vert.	60	66889	Washer - 10x30
*	67350	Cylinder - Plastic	61	66930	Nut - M10
*	67104	Piston	62	67327	Retainer - Seal
*	67100	Seal - Cap	63	67107	Piston/Rod Assy.
*	67105	Cap - Cylinder	64	66871	Seal - Piston
*	67097	Adapter	66	66943	Ring - Stop, Shaft
21	66775	Plate - Latch	67	66902	Pin - Cylinder
*	66774	Spring	68	67592	Straight Fitting
22	66928	Nut - M6 GS	69	66891	Hose - Air 4x6
23	67293	Screw - 6x16-12K	70	67089	Cylinder - Body, Plastic
24	67178	Pin, 10x10	71	67324	Plate - Bottom
25	67590	Fitting - Tee	72	67064	Lockwasher - Dia. 6
26	67128	Hose - Air	74	67326	Cylinder Stud
27	67098	Hose - Air		67581	Handle/Valve Assy.
28	67589	Fitting 90 Deg. Swivel		66918	Cylinder Assy. - Tower Tilt
29	67087	Pin - Hinge Trigger	75	67001	Rubber bushing
30	66867	Spool - Valve	*	67183	Storage Bracket
31	67088	Pin - Spool	*	67255	Plastic Sleeve
32	67101	Trigger - Valve	77	1100804	Screw 1/4-20x1/2"
33	67102	Rod - Push	78	1100241	Lockwasher 1/4"
34	66865	Spring - Compression	79	67268	Pad - Rubber
35	67581	Handle/Valve Assy.	80	1101710	Screw /310-24x5/8"
36	67582	Screw - 6x70 8G	81	61746	Washer
	67621	Handle/Valve Assy. (Service)	*	67598	Hose Protection
37	66886	Screw - Rod Adjustment	*	67599	Spacer
38	66926	Nut - M8	*	67600	Screw 10E x 32 TE
* NOT SHOWN		86006TWR.WRK Rev. 7/20/89	*	67601	Washer 5mm



VERTICAL ROD

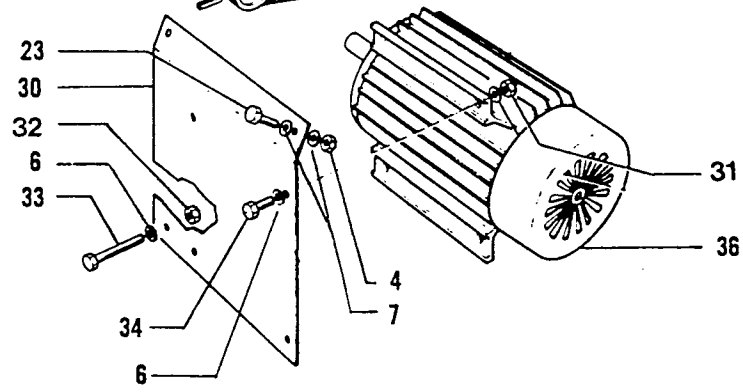
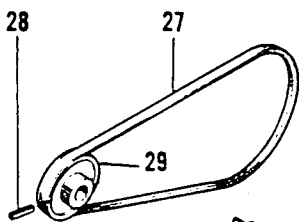
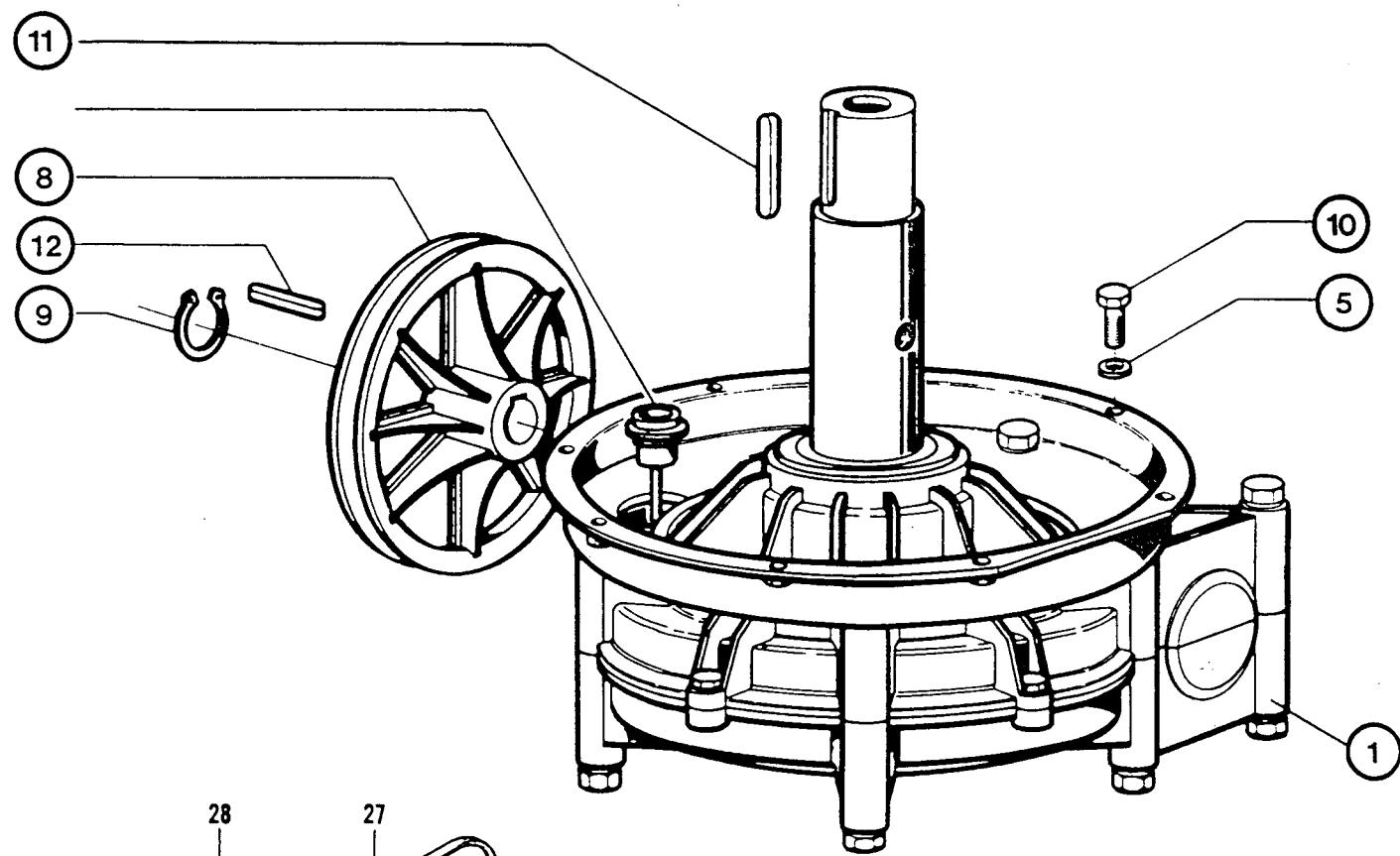
High Performance Tire Changer - Model 8500/8600

Parts Reference - Vertical Rod & Mount/Demount Head

Ref.No.	Part No.	Description
1	66961	Screw, 8 x 16 8G
2	66766	Retaining Cap
3	66767	Spring
4	67409	Hex Rod
5	1101947	"O" - Ring
6	1100100	Setscrew 3/8-16x3/4"
7	67463	Mount/Demount Head (Machined)
	67528	Mount/Demount Head Assembly
8	67410	Screw 10 x 20
9	67562	Plastic Insert
10	67411	Washer
11	1101929	Setscrew w/Nylon Patch 1/4-20x1/2"
	67410	Screw 10x20

VERODASY.WRK

Revised 4/18/89



MOTOR

TRANSMISSION

High Performance Tire Changer - Model 8500/8600

Parts Reference - Motor/Transmission Assembly

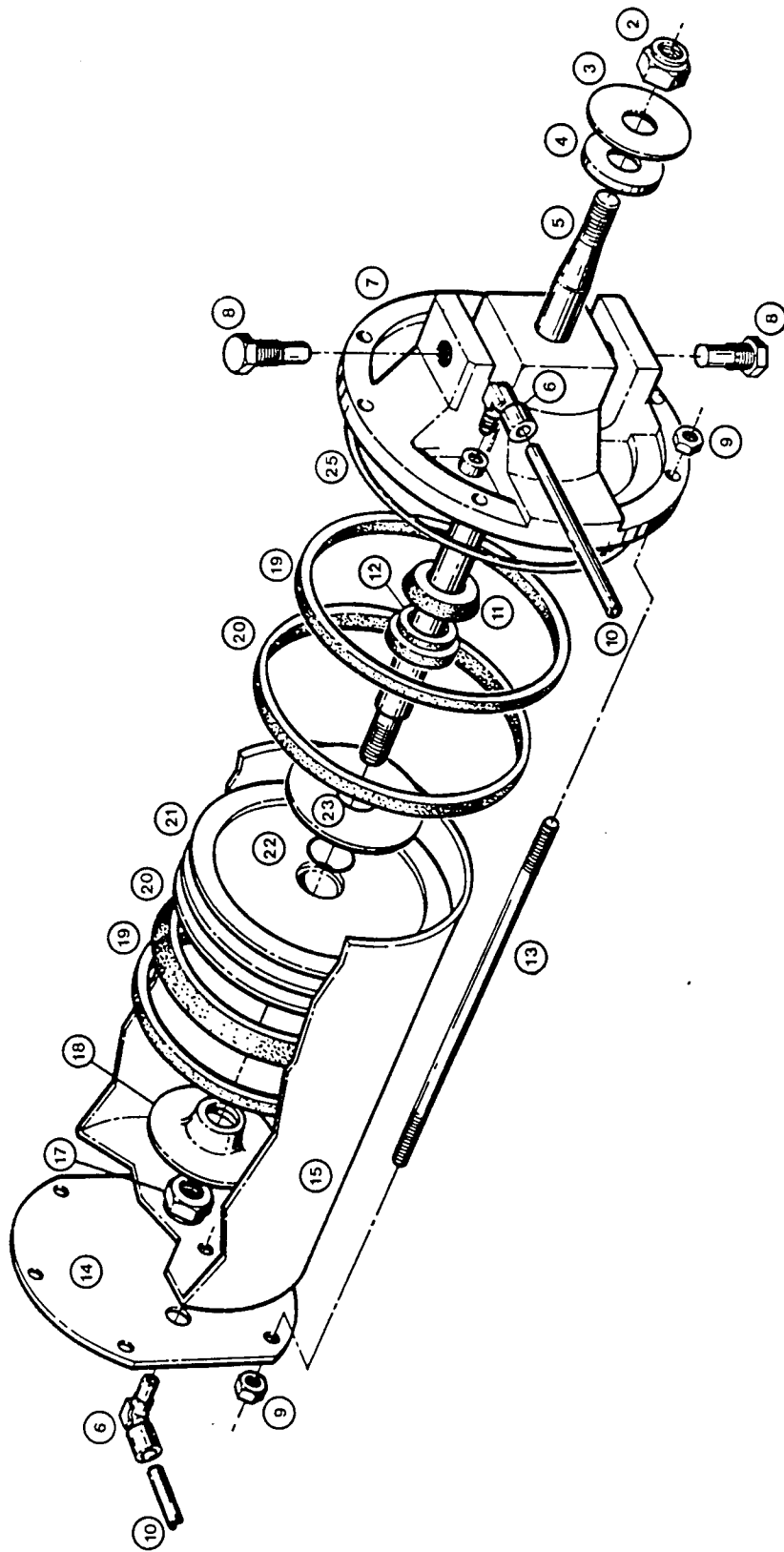
Transmission/Pulley Assy. 67526

Ref.No.	Part No.	Description
1	67655	Transmission Assembly
4	1101654	Tinnerman Nut 3/8-16
5	66938	Washer M8 GS
6	1107382	Flat Washer 5/16"
7	1100243	Lockwasher 3/8"
8	66813	Large Plastic Pulley
9	67073	Snap Ring
10	66954	Screw 8x20mm 8G
11	66949	Key 10X8X50mm
12	67070	Key 6x6x40mm
23	1100046	Screw HHC 3/8-16x1.0"
27	66760	Belt - Motor (A29)
28	1103466	Set Screw, 5/16-18 x 3/8"
*	1177440	Hollow-lock Screw 5/16-18x5/32"
29	1016886	Motor Pulley 2.75" Dia.
30	66742	Motor Bracket
31	1182563	Hex Nut 5/16-18
32	1101804	ESNA Nut 5/16-18
33	1101943	Screw HHC 5/16-18x3-1/2"
34	1100045	Screw HHC 5/16-18x1"
36	67632	Motor, 1 Hp.
	67563	Motor, 1 HP. (8600JPO)
*	67639	Power Supply Cord
*	67174	Strain Relief Plate
*	1101567	Speed Nut #10-24
*	1228668	Strain Relief

\*\* NOT SHOWN

REV. 7/18/89





BEAD BREAKER CYLINDER

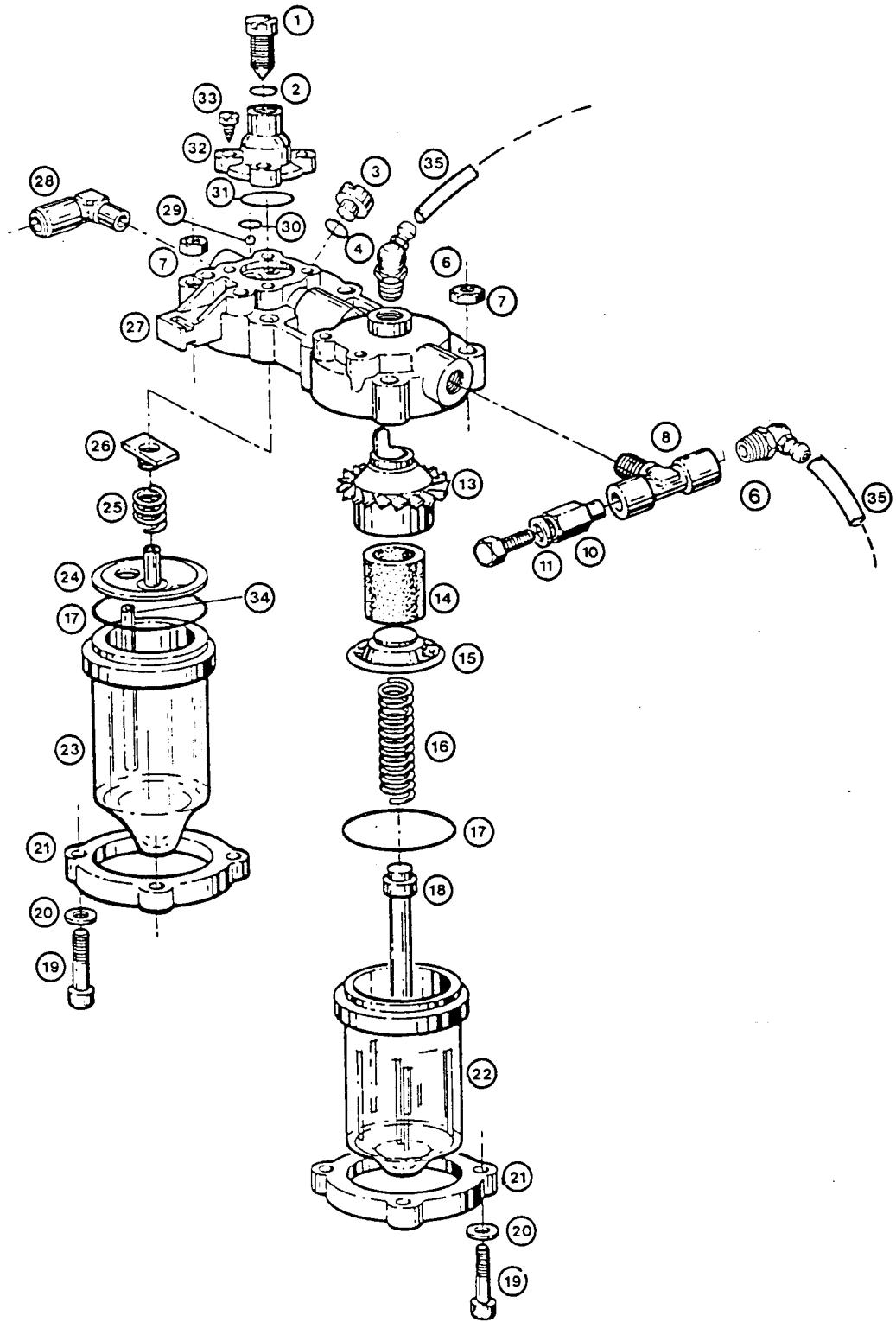
High Performance Tire Changer - Model 8500/8600

Parts Reference - Bead Breaker Cylinder Assembly: P/N

Ref.No.	Part No.	Description
2	67002	Locknut
3	67024	Washer
4	66848	Felt Washer
5	67431	Piston Rod
6	67594	Fitting 90 Degree 6x8
7	66846	Cylinder End Cap
8	66845	Cylinder Pin
9	66926	Nut - M8 GS
10	66893	Air Hose 6x8mm
11	66795	Rod Seal
12	66796	Seal Retainer
13	67429	Threaded Rod
14	67343	Bottom Plate
15	67426	Cylinder/liner Assy.
17	67027	Nut - M14 GS
18	66843	Piston Support Washer
19	66818	Piston Ring GS
20	66819	Piston Lip Seal
21	66820	Piston
22	66821	O - Ring Seal
23	67344	Washer
25	66844	O - Ring Seal
*	66824	Cushion Washer
*	66845	Bead Breaker Cylinder Pin

\* NOT SHOWN

Rev. 4/17/89



FILTER/OILER

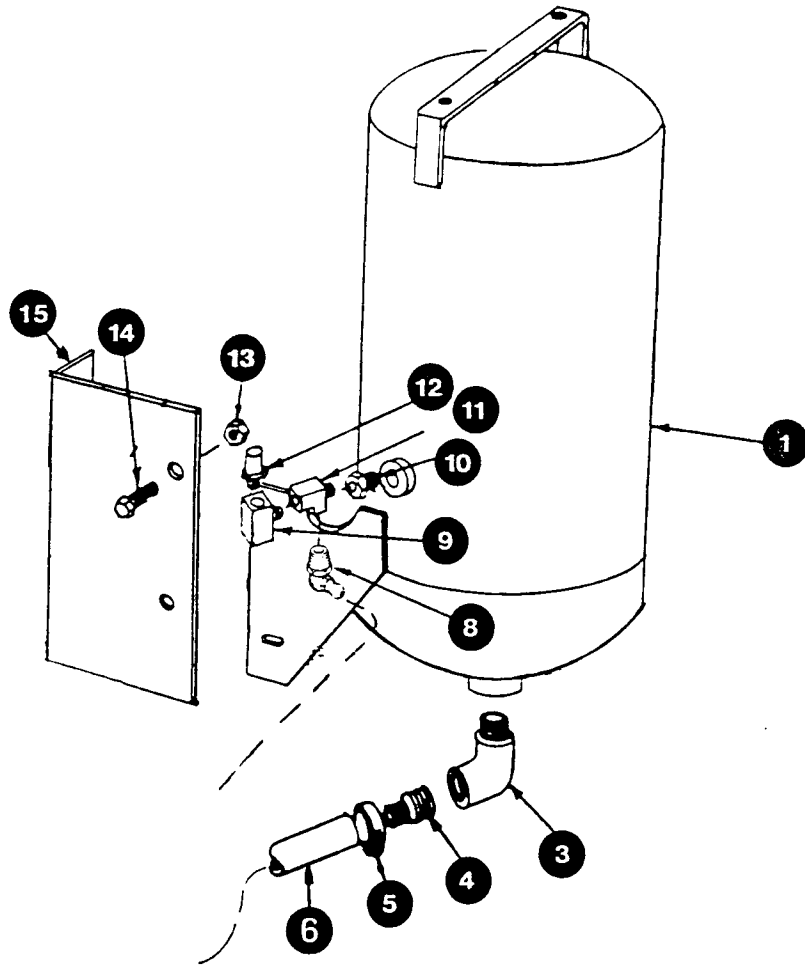
High Performance Tire Changer - Model 8500/8600

Parts Reference - Filter/Oiler Assembly: P/N 67292

Ref.No.	Part No.	Description
1	67036	Needle Valve
2	67037	O-Ring Seal
3	67038	Oil Filler Plug
4	66835	O-Ring Seal
6	67536	Barb Fitting 90Deg 1/4NPT x 3/8 Hose
7	67030	Nut - M5 GS
8	67041	Tee Fitting
10	67043	Hex Spacer
11	66937	Washer - Dia. 8mm
12	66952	Screw 8x16mm 8G
13*	67368	Filter Louvers
14	67044	Filter Element
15*	67367	Filter Baffle
16	67047	Spring
17	66794	O-Ring Seal
18	67048	Drain Rod Assy.
19	67034	Screw 5x35mm 8G
20	67033	Washer
21	66838	Bowl Flange
22*	67365	Separator Bowl
23*	67366	Oiler Bowl
24	67035	Lubricator Baffle
25	67032	Spring
26	67031	Spring Support
27	66836	Filter Housing
28	67595	Hose Fitting 90 Deg.
29	67029	Ball
30	66834	O-Ring Seal
31	66833	O-Ring Seal
32	66830	Lubricator Cap
33	67028	Screw 6x13mm
34	67328	Oil Suction Pipe
35	1101914	3/8" Dia. Rubber Hose

\* IF the Lubricator or Separator bowl must be replaced, note the thickness of the bowl. If the bowl is thicker on the replacement part, all items pertaining to that bowl which carry a single asterisk (\*) in the parts reference must be replaced at the time the bowl is replaced.

REV. 1/12/89



**SURGE TANK**

Parts Reference - Surge Tank Assy.: P/N 67407

Ref.No.	Part No.	Description
1	67643	Surge Tank
3	1105386	Street Elbow - 3/4
4	66588	Brass Nipple 3/4NPT x 3/4 Hose
5	66474	Hose Clamp
6	66761	Hose
8	67536	90deg Barb Fitting 1/4NPT x 3/8 Hose
9	1101628	Male Branch Tee (1/4")
10	1106428	Hex Bushing 3/4"x1/4"
11	1101642	Brass Street Tee
12	66329	Pressure Relief Valve - 200 PSI
13	1182563	Nut, 5/16-18 Hex
*	1100242	Lockwasher - 5/16"
*	1107382	Flat Washer - 5/16"
14	1100045	Hex Head Bolt, 5/16-18 x 1"
15	66743	Surge Tank Bracket

\* NOT SHOWN

SURGETNK.WRK REV. 4/18/89

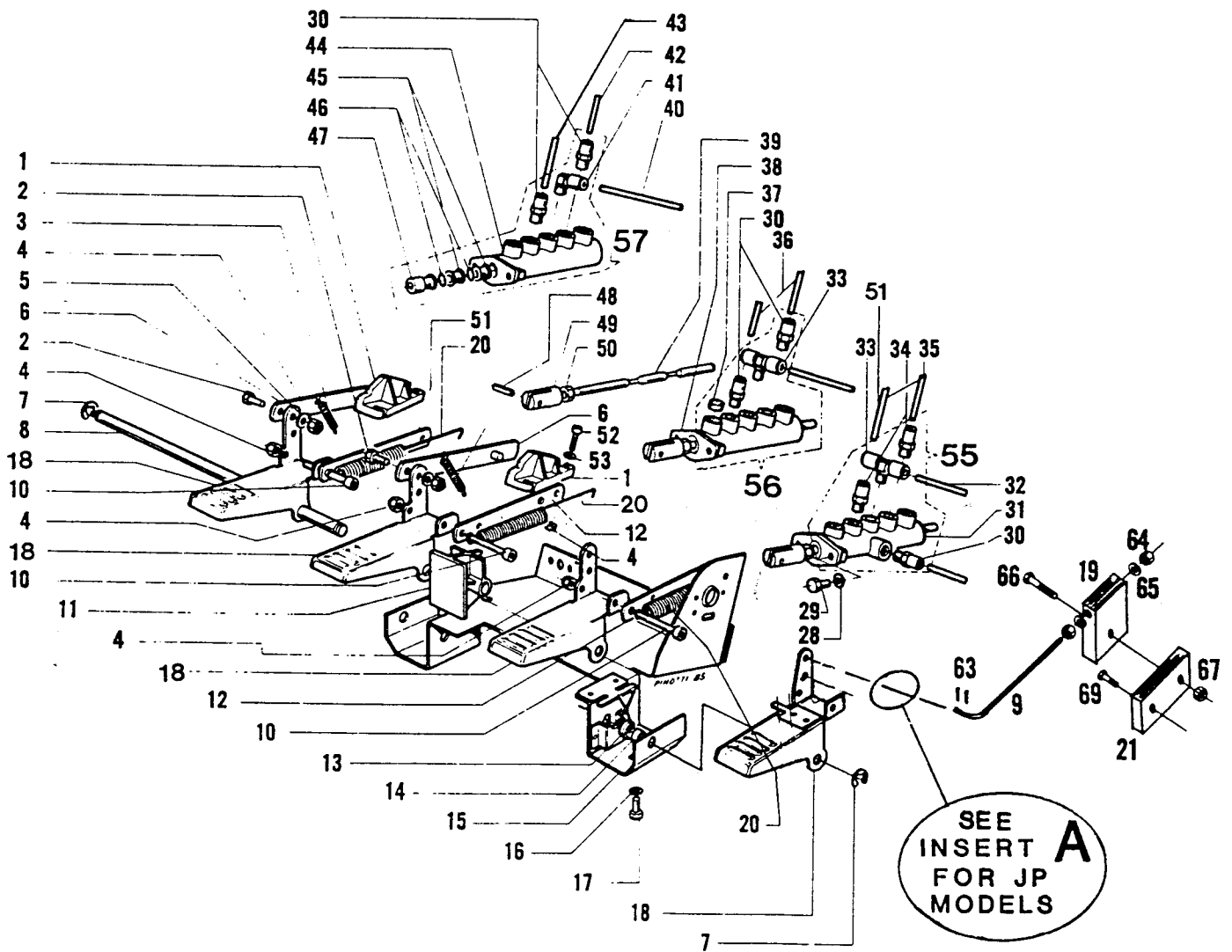
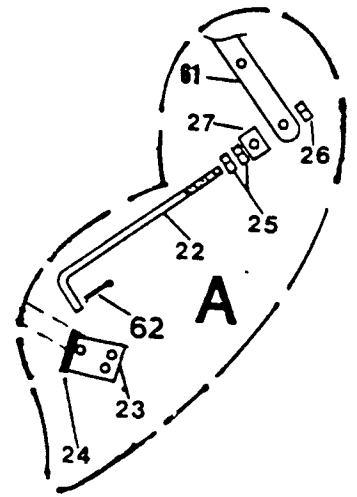
Parts Reference - Foot Pedal/Valve Assy.

Complete Assy., 8500 - 67642

Complete Assy., 8600/8600JPO - 67641

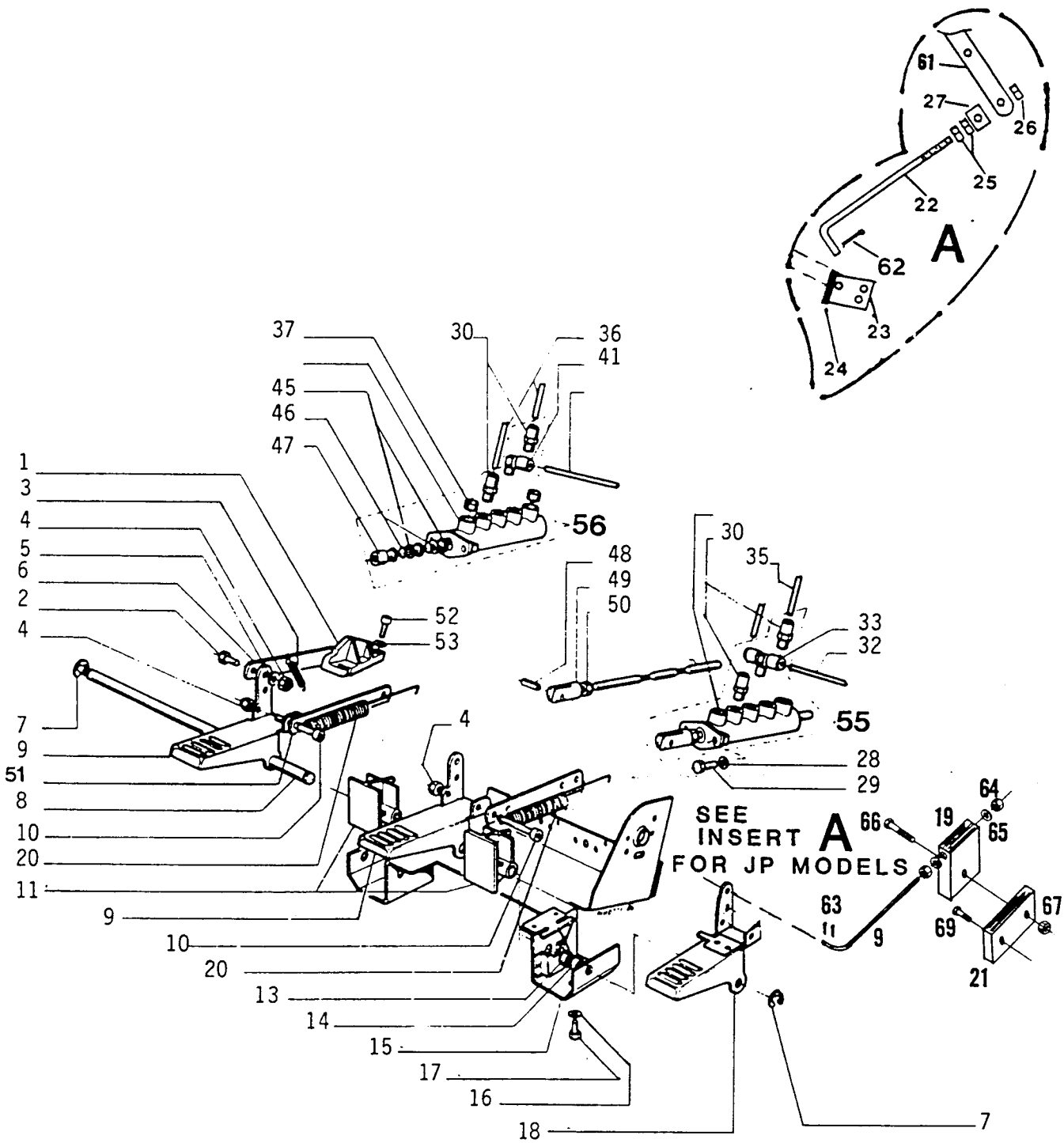
Ref.No.	Part No.	Description	Ref.No.	Part No.	Description
1	66857	Pedal Cam	39	66853	Valve Spool
2	67013	Screw	40	67111	Air Hose, 8600
3	66858	Cam Spring	41	67594	Fitting, 90 Deg 6X8
4	67014	Nut - M16 5S	42	66891	Air Hose, 4x6
5	67015	Washer - Dia 6mm	43	66890	Air Hose, 4x6
6	67021	Detent Arm	44	67090	Valve Housing
7	67016	Snap Ring	45	67092	Valve Insert
8	67110	Pedal Hinge Pin	46	66851	Valve O-Ring Seal
9	67630	Link Rod	47	67091	Valve Insert
10	67017	Screw - 6 x 60mm 8G	48	67022	Roll Pin
11	66860	Pedal Spacer 8500	49	67023	Spool Yoke
	66877	Pedal Spacer 8600	50	66929	Nut - M8 6S
12	66859	Pedal Link	51	67189	Air Hose, 6x8
13	66861	Pedal Spring	52	66958	Screw - 6 x 20mm 8G
14	67018	Pedal Spacer	53	67019	Washer - Dia 6 x 18mm
15	67020	Valve Assy. Frame	54	67118	Switch Arm Assy.
16	66937	Washer - Dia 8mm	55	66876	Bead Brkr Valve Assy, 8600
17	66954	Screw - 8 x 20mm 8G		66850	Bead Brkr Valve Assy, 8500
18	67645	Motor Pedal Assy.	56	66875	Turntable Valve Assy, 8600
19	67628	Pivot Block		66849	Turntable Valve Assy, 8500
20	66854	Extension Spring	57	66874	Tower Tilt Valve Assy, 8600
21	67629	Lever	58	66852	Valve Assy
22	66913	Lever Rod (8600JPO only)	59	67112	Air Hose, 8500
23	67330	Hinge Plate (8600JPO)	60	67333	Valve Housing
24	67332	Hinge Plate Cap (8600JPO)	61	67311	Formed Lever (8600JPO only)
25	66926	Nut, M8 6S (8600JPO)	*	67313	Upper Pivot (8600JPO)
26	66927	Locknut, M8 5S (8600JPO)	62	66947	Clip (Cotter Pin)(8600JPO)
27	67312	Lower Pivot (8600JPO)	63	1100349	Cotter Pin 1/8x3/4"
28	67064	Lockwasher - Dia 6mm	64	1182563	Hex Nut 5/16-18
29	67329	Screw	65	1100255	Flat Washer 5/16" Nom.
30	67592	Straight Fitting, 4x6	66	1101620	Shoulder Screw 5/16-18x1/2" 3/8x5/8"lg. shoulder
31	67095	Valve Housing			
32	66892	Air Hose, 6x8	67	1182563	Hex Nut 5/16-18
33	67596	Tee Fitting 6x8	68	1100242	Lockwasher 5/16"
34	67597	Straight Fitting 6X8	69	1101576	Shoulder Screw 5/16-18x1/2" 3/8x5/8"lg. shoulder
35	67611	Air Hose, 6x8			
36	66896	Air Hose, 4x6	*	1101949	Nylon Washer .387x.050"
37	67334	Air Muffler	*	1101950	Nylon Washer .385x.093
38	66852	Valve Housing	70	67098	Air Hose (to Tower Switch)

\* NOT SHOWN FTVALVAS.WRK REV. 3/9/89

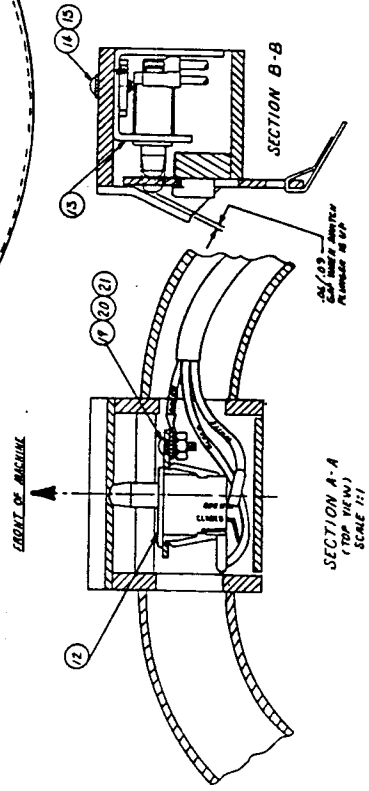
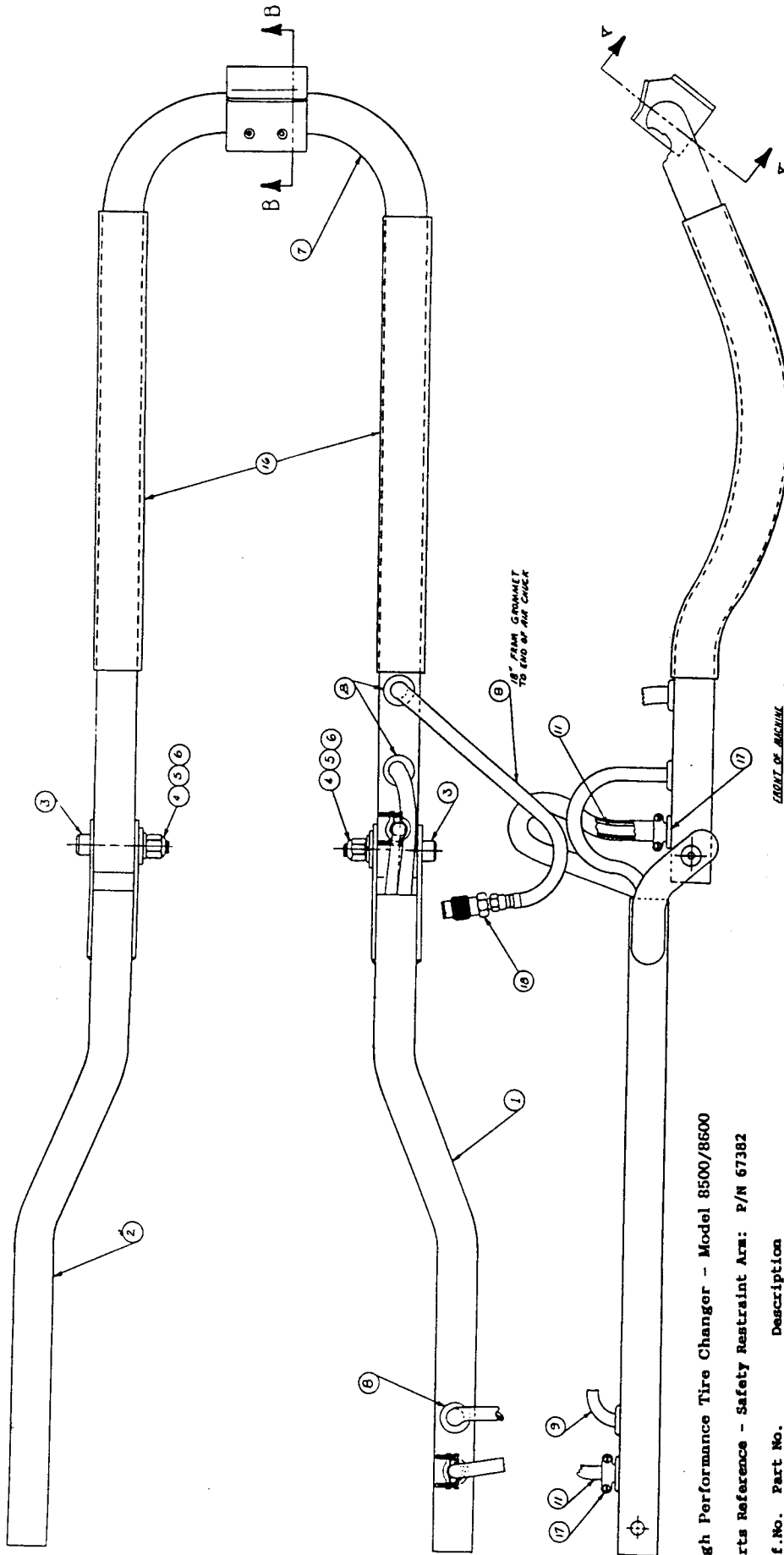


8600 FOOT VALVE





**8500 FOOT VALVE**



High Performance Tire Changer - Model 8500/8600

Parts Reference - Safety Restraint Arm: P/N 67382

Ref. No.	Part No.	Description
1	67389	Widmt. - Lower R.H. Arm
2	67390	Widmt. - Lower L.H. Arm
3	67270	Screw - Shoulder, 1/2 x 2"
4	1107385	Washer - 1/2" Flat
5	1120240	Nut - Hex, 3/8 x 16 Lock
6	1100255	Washer - 3/8 x 7/8" O.D. Flat
7	67392	Widmt. - Upper Safety Arm
8	68017	Grommet
9	67381	Hose - Inflation 86"
11	67379	Cable, Safety Arm
12	67378	Momentary Action Switch
13	67376	Rear Cover Weldment
14	1101467	Screw, 10-24 x 1/2"
15	1187559	Ext Tooth Lockwasher #10
16	67349	Protective Tube, 1.5" I.D. x 22"
17	35148	Strain Relief
18	67415	Air Chuck
19	1101467	Screw, 10-24 x 1/2"
20	1187559	Ext Tooth Lockwasher #10
21		Hex Nut, 10-24

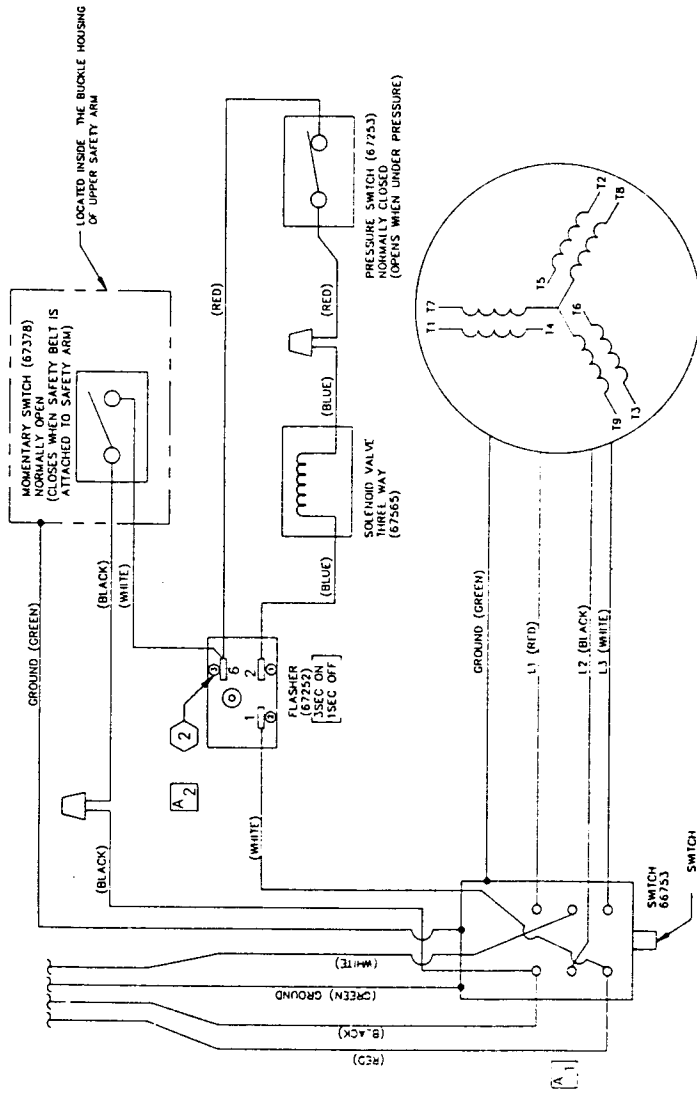
JPO/JP1 Supplemental Parts List

All other parts are same as 8500/8600 (USA)

PART NO	DESCRIPTION
67668	Cabinet Weldment
67666	Switch Hole Plug
67682	Black Plastic snap-in Plug
1100253	Flat Washer #10
67141	Electric Air Regulator Assy.
67565	Valve Assembly
67564	3-way Solenoid Valve
67674	Switch Lever Assembly
61829	Interlock Switch Magnet
1101532	Screw PHFM #6-32x3/8"
1177246	Lockwasher #6 ext. tooth
67574	Hose/Fitting Assembly
67138	Motor/Switch Assembly (JPO)
67563	Motor 1.0hp
66753	Motor Switch (Furnas R44R)
35148	Strain Relief
68017	Grommet
67142	Power Cord
67144	Motor Cable Assembly
67568	Air Regulator Cable
67397	Switch Cable
61039	Wire nut
1114596	Screw #10-32x1/4" flat hd.
67391	Switch Bracket
1101800	Nut 1/4-20 type "U"
1100805	Screw 1/4-20x3/4"
1121507	Nut 1/4-20
1100241	Lockwasher 1/4"

JP1 CONTROL BOX COMPONENTS

67664	Control Box Weldment	67676	Magnetic Switch Assy.
67663	Control Box Cover	67673	Power Supply Cord (JP1)
1101849	Self-tap Screw #12-24x3/8"		
67670	208VAC Contactor	JPO-JP1	7/25/89
61179	4" Jumper		
61464	12" Jumper		
1101775	Screw PHFM #8-32x5/8"		
1101583	Lockwasher #8 ext. tooth		
1181298	Hex Nut #8-32 KEPS		
61116	Terminal (2 male, 1 female)		
67685	Kit - Retrofit Orifice Plug (JP1)		
67684	Valve Mount Plate		
67683	Orifice Plug/Filter Assembly		
67679	Motor/bracket Assembly (JP1)		
67657	Motor, 220V/3 Phase		
67675	Motor Pulley		
67672	Motor Cable Assembly		
67678	Magnetic Switch/bracket Assembly JP1)		

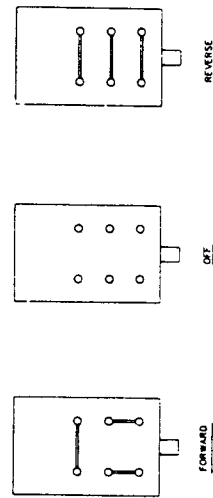


MOTOR  
(FMC P/N 67563)  
1 HP, 208-230 V, 3 PH, 50/60 Hz

**MOTOR CONNECTION**

- 1) CONNECT T1-T7-L1 TOGETHER
- 2) CONNECT T2-T8-L2 TOGETHER
- 3) CONNECT T3-T9-L3 TOGETHER
- 4) CONNECT T4-T5-T6 TOGETHER

NOTE: 1. THE ABOVE CONNECTIONS ARE MADE AT MOTOR CONNECTION BOX USING WIRE NUT P/N 61039.  
2. NUMBERS CIRCLED ARE FOR SYRELEC FLASHER  
NUMBERS NOT CIRCLED ARE FOR ICM FLASHER



MOTOR SWITCH OPERATION

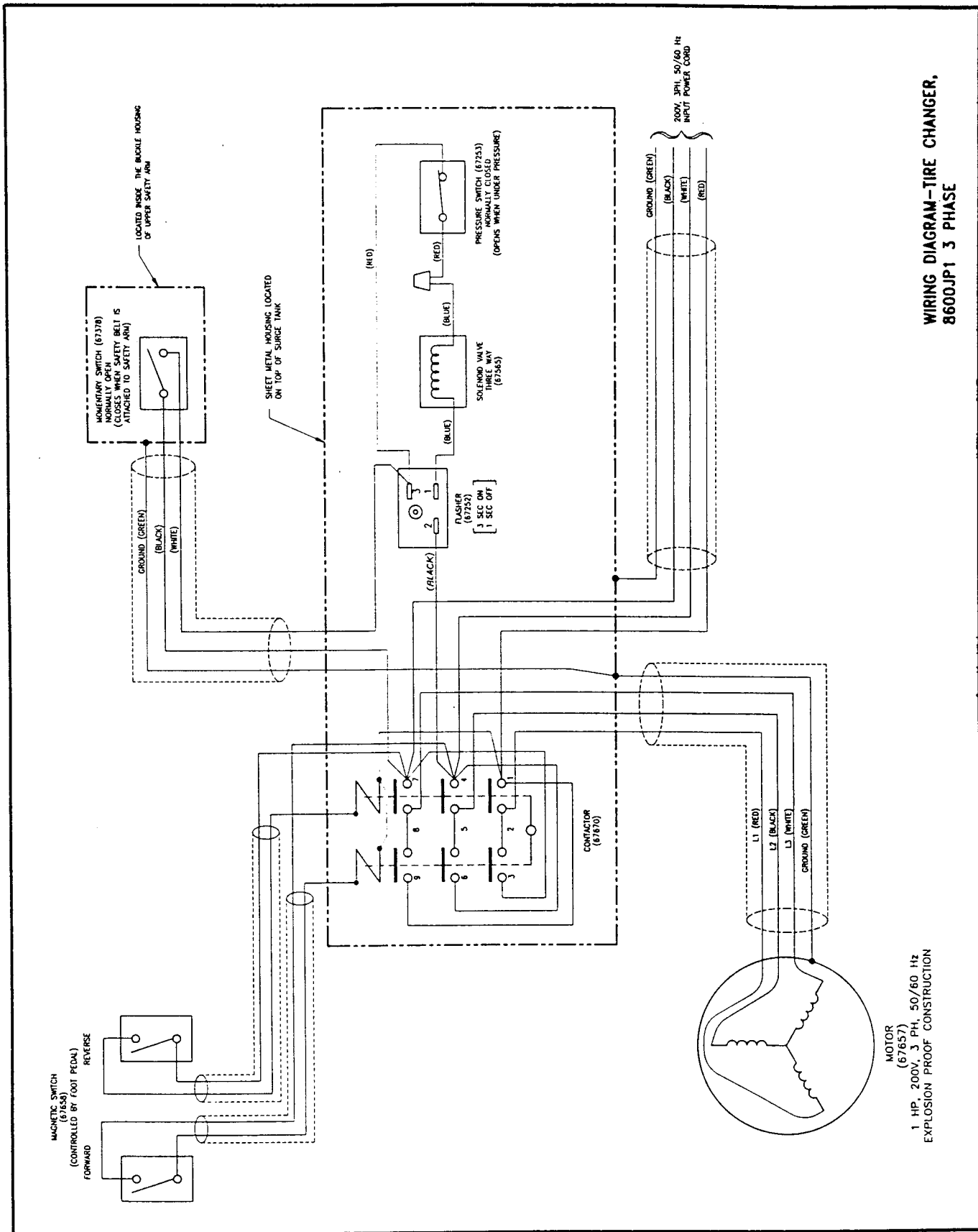
FORWARD: C.C.W. ROTATION OF MOTOR SHAFT

REVERSE: C.W. ROTATION OF MOTOR SHAFT

AS VIEWED FROM THE END OF SHAFT.

NOTE: 1) IF FORWARD AND REVERSE ROTATION OF MOTOR SHAFT ARE OPPOSITE OF WHAT THEY SHOULD BE, INTERCHANGE ANY TWO PHASE LINES ON THE MOTOR CABLE.

**WIRING DIAGRAM-TIRE CHANGER  
8600 (JAPAN) 3 PHASE**



WIRING DIAGRAM-TIRE CHANGER,  
8600JP1 3 PHASE

**FMC Corporation**  
Automotive Service Equipment Division  
Exchange Avenue  
Conway Arkansas 72032