

# *Snap-on*®



## Tire Changer

EEWH306B

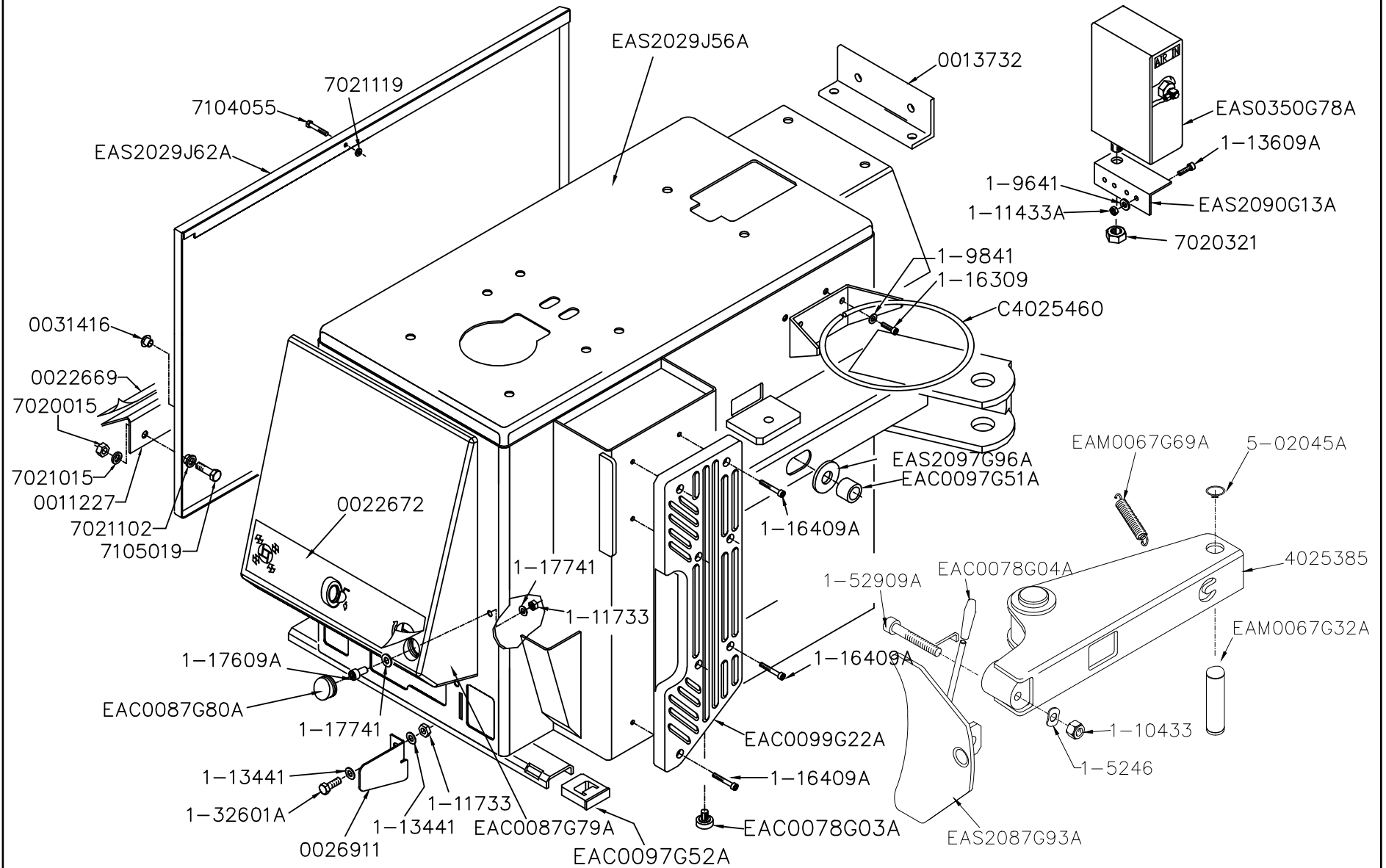
**All information contained or disclosed in this document is considered confidential and proprietary by Snap-on Tools Company. All manufacturing, use, reproduction, and sales rights are reserved by Snap-on Tools Company and the information contained herein shall not be used in whole or in part without the express written consent of Snap-on Tools Company.**

# Table of Contents

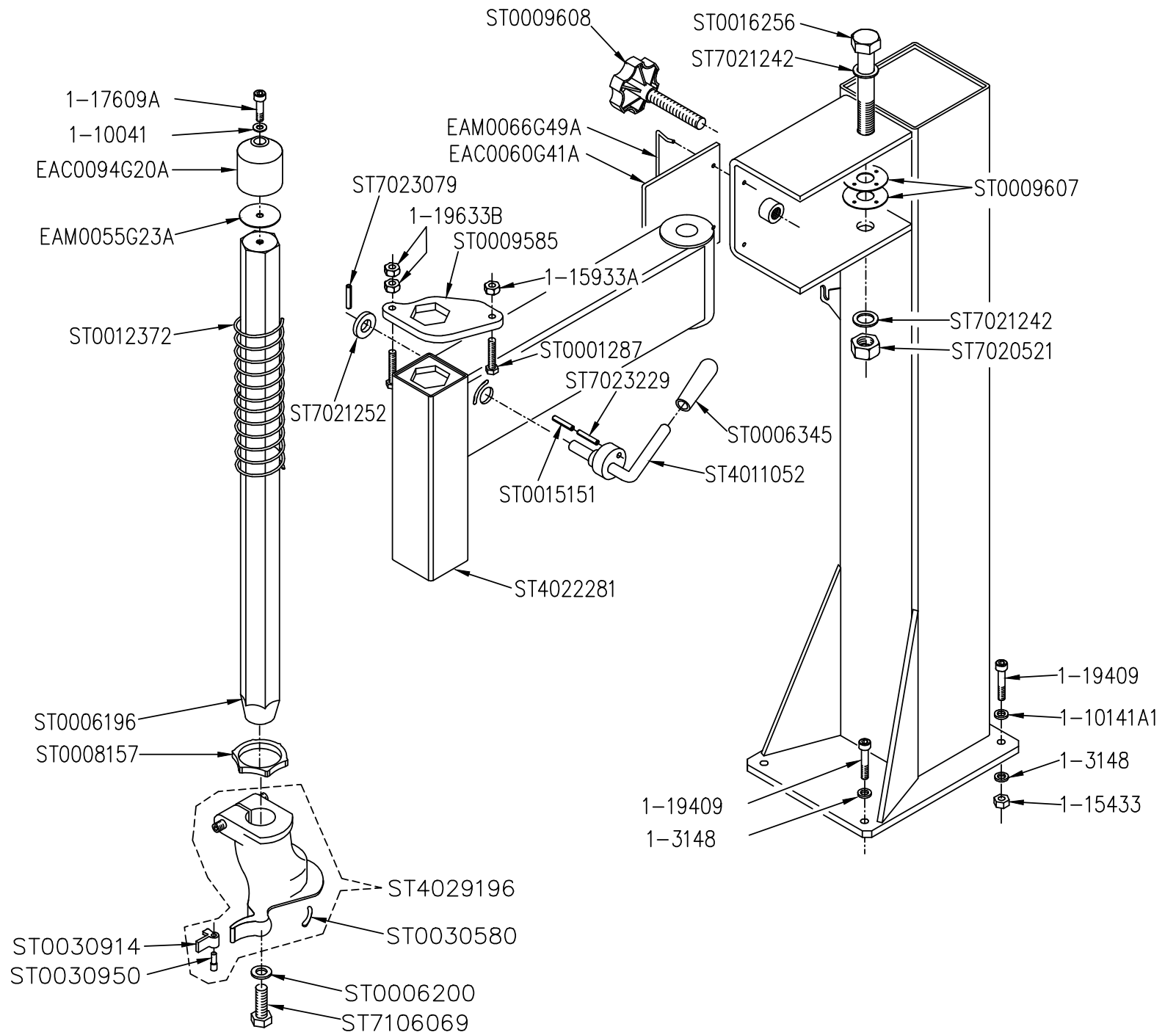
CABINET - 957 .....	1
TOWER - 958 .....	2
TURNTABLE - 1091.D .....	3
TRANSMISSION - 944 .....	4
MOTOR & PULLEY - 1320 .....	5
PEDAL VALVE - 1509 .....	6
PEDAL VALVE ASSEMBLY - 1783 .....	7
BEAD BLAST PEDAL & VALVE - 1507 .....	8
AIR GUAGE - 1310 .....	9
LUBRICATOR - 1821 .....	10
BEAD BREAKER CYLINDER - 1766 .....	11
SURGE TANK - 1079 .....	12



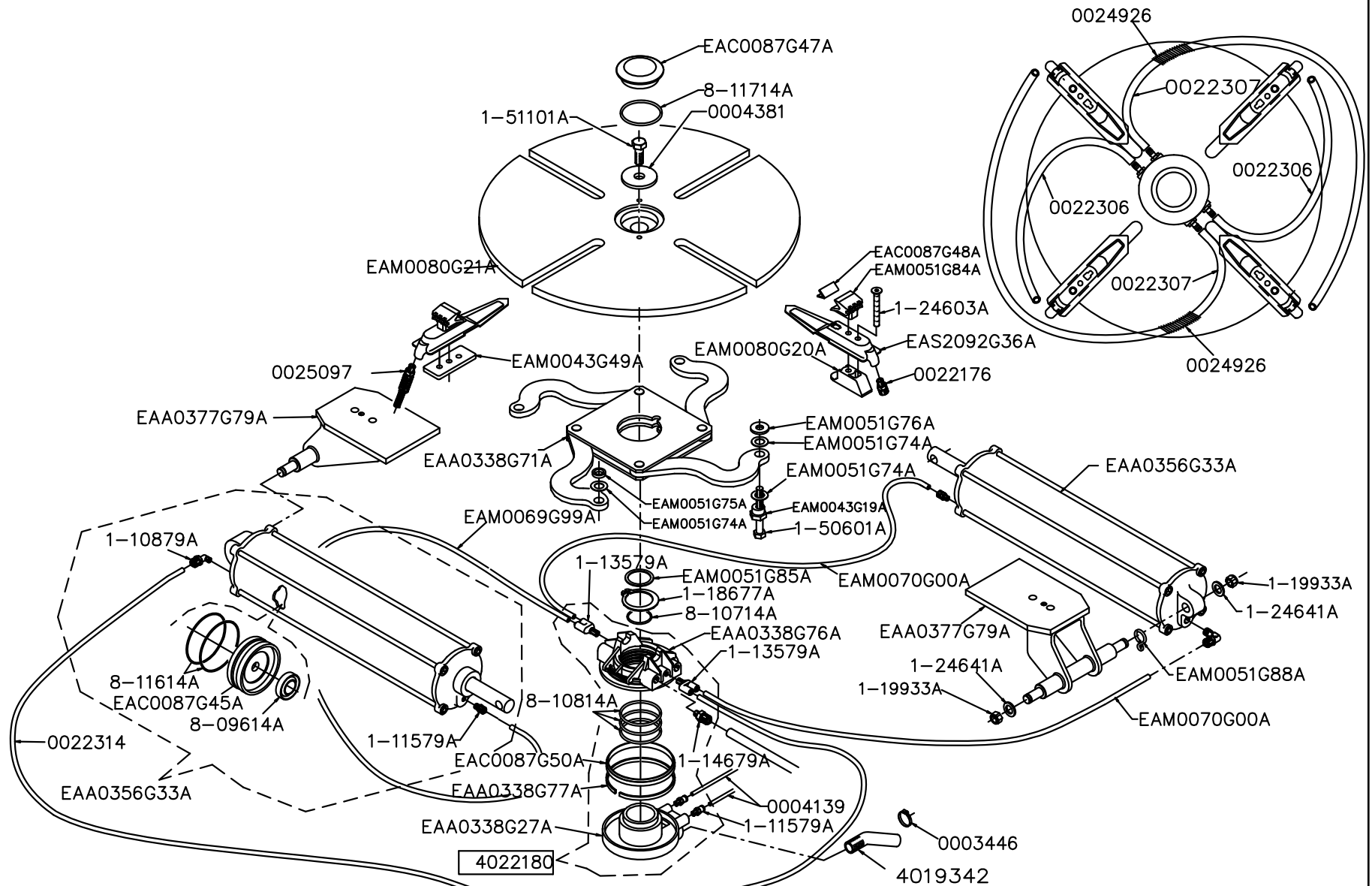
**CABINET - 957**



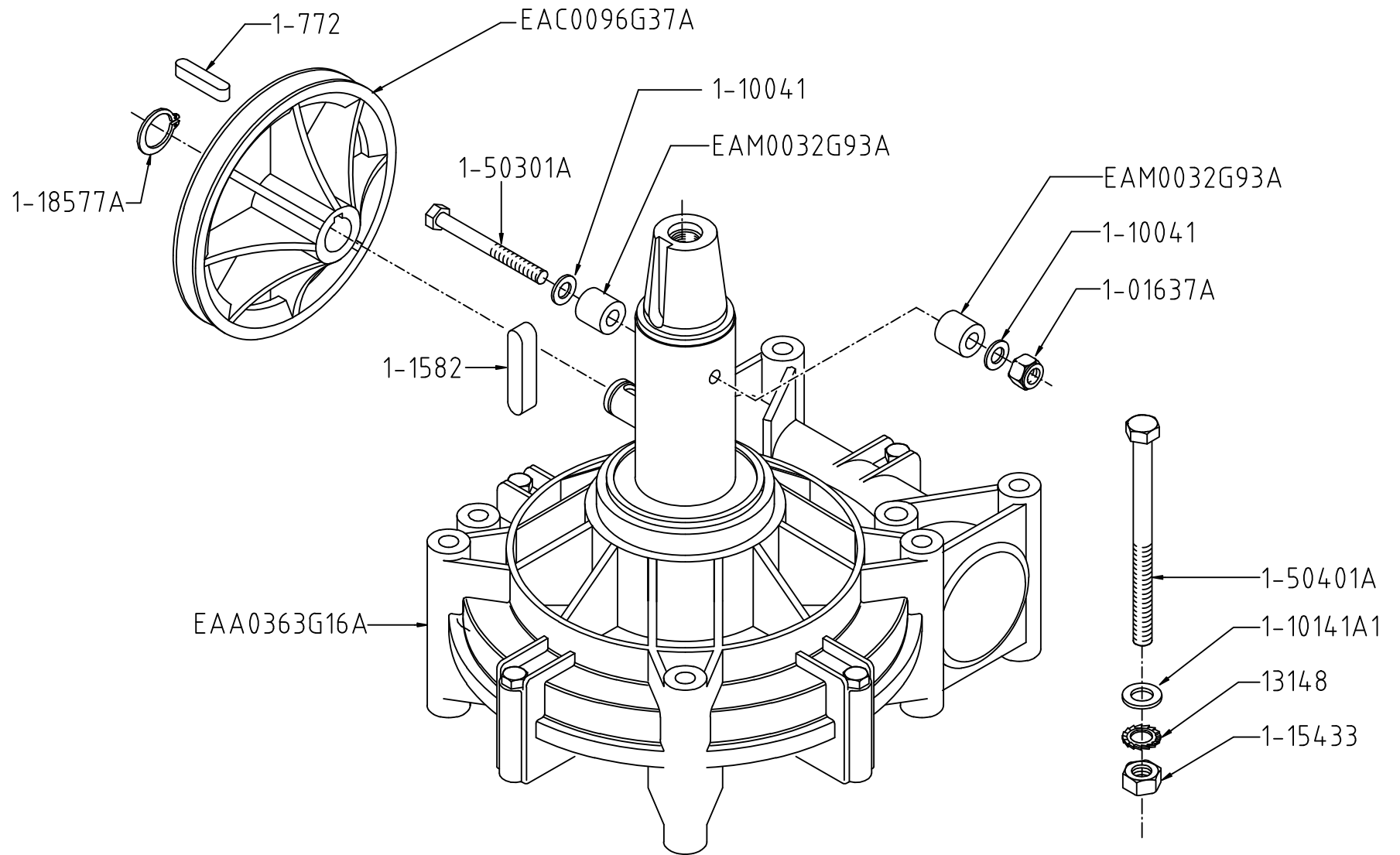
**TOWER - 958**



**TURNTABLE - 607**

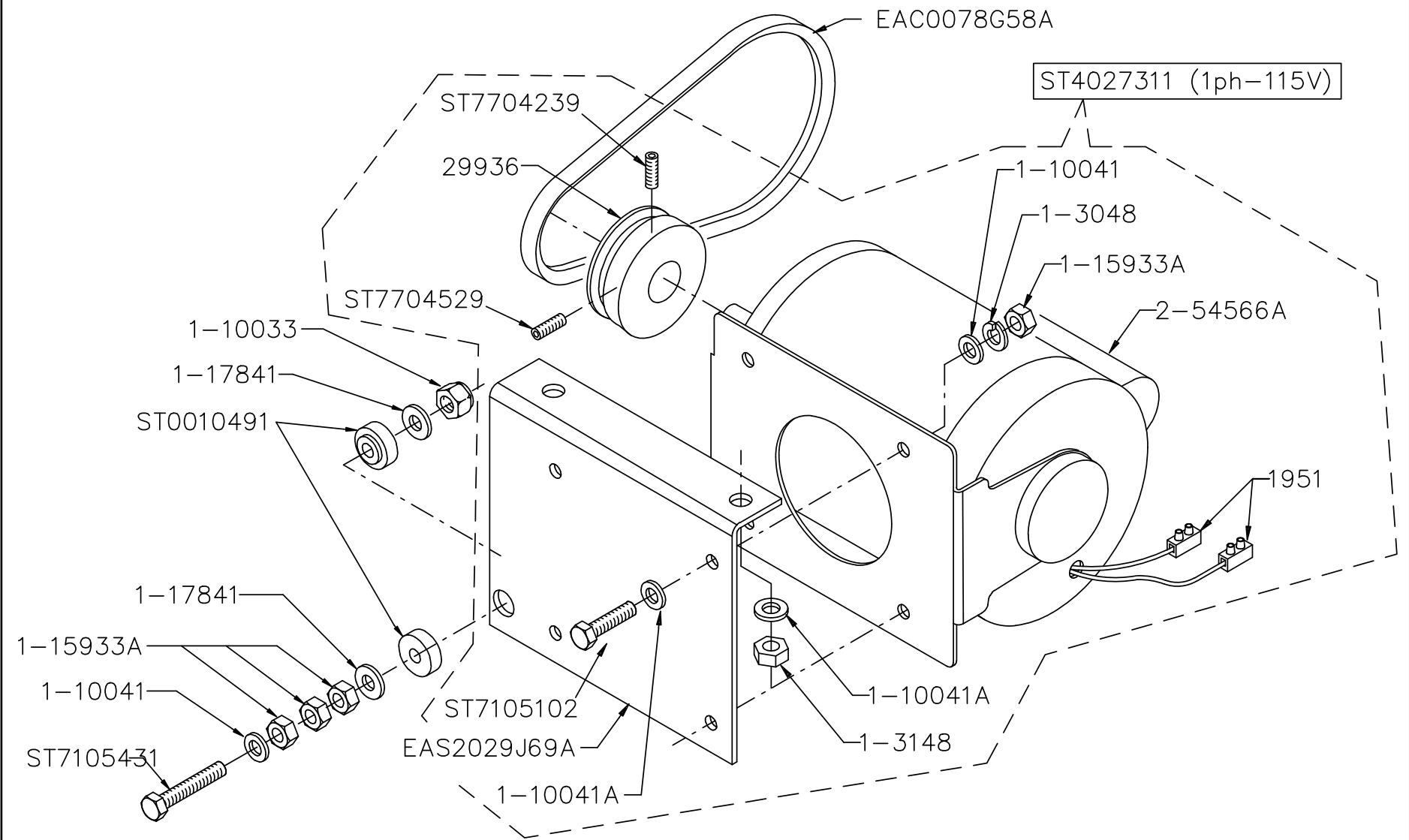


TRANSMISSION - 944

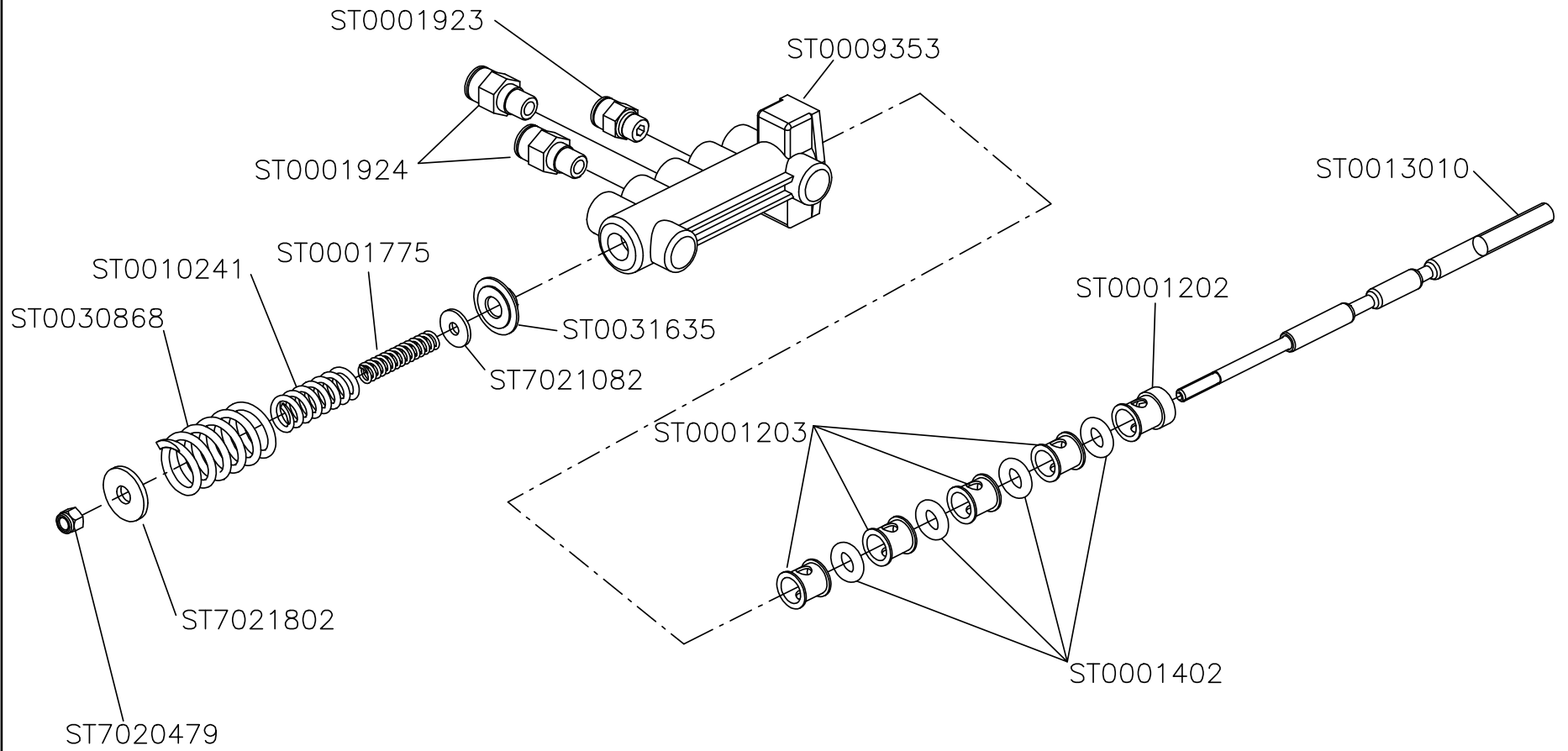




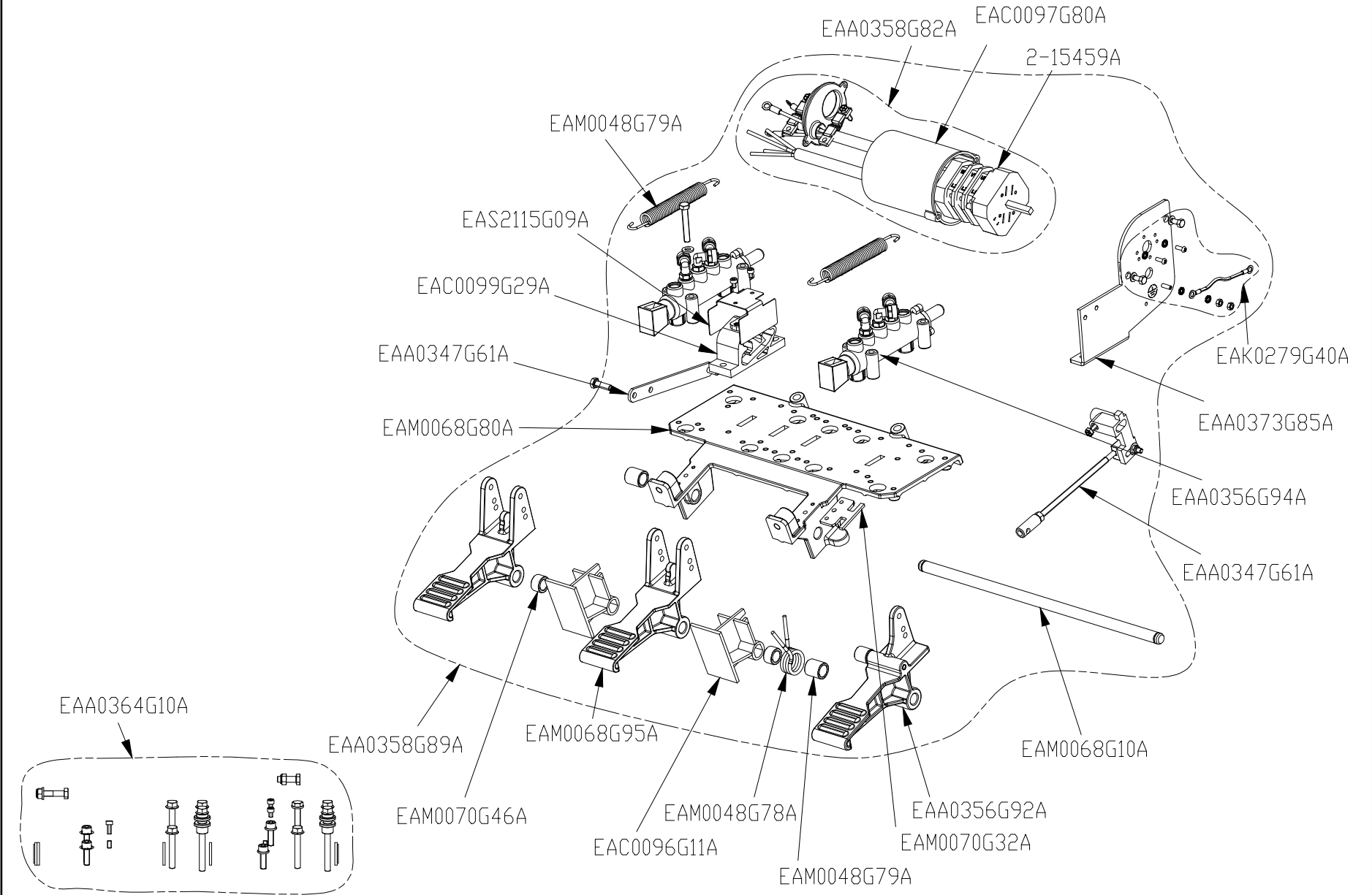
**MOTOR & PULLEY - 1320**



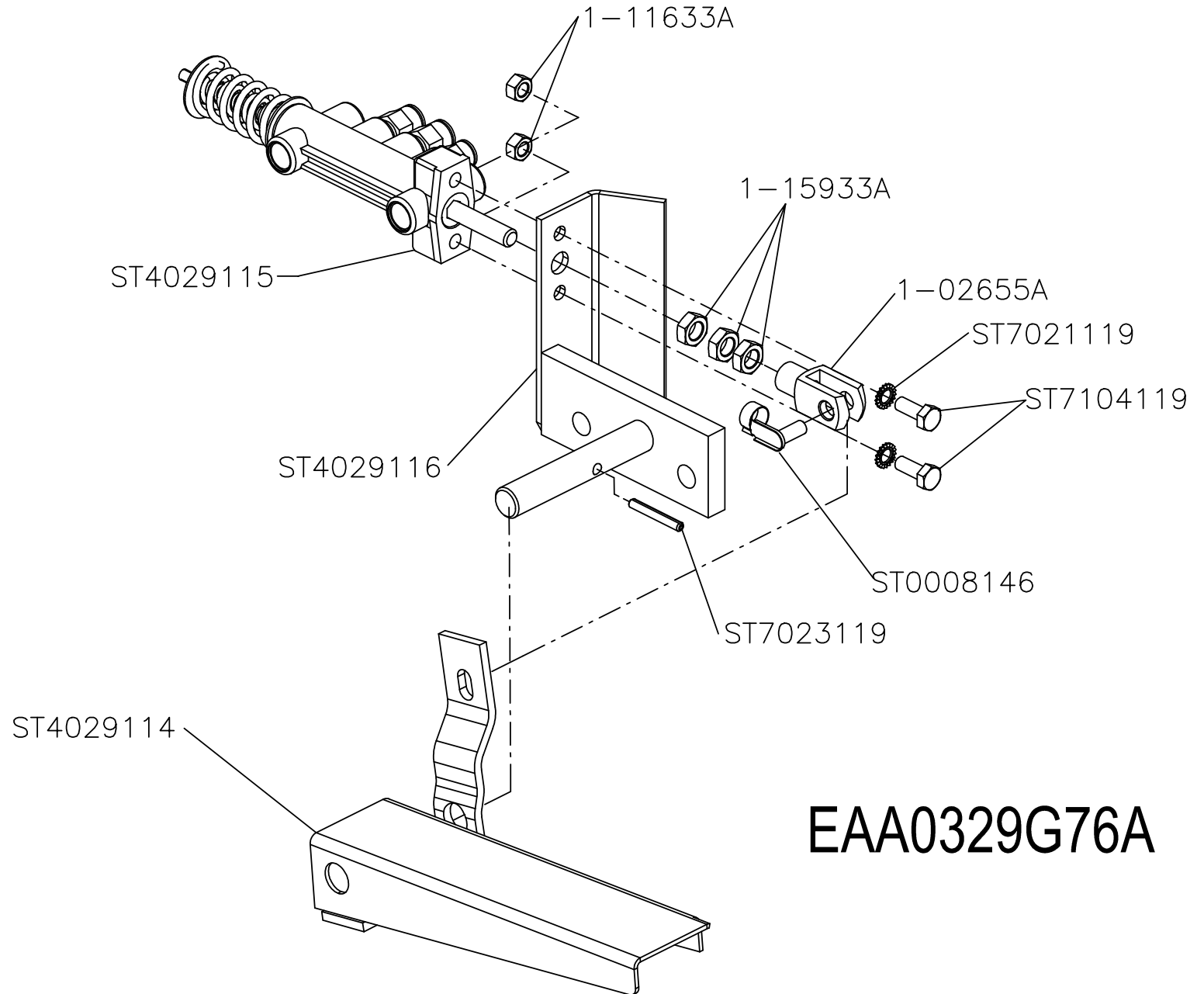
**PEDAL VALVE - 1509**



**PEDAL VALVE ASSEMBLY - 1783**

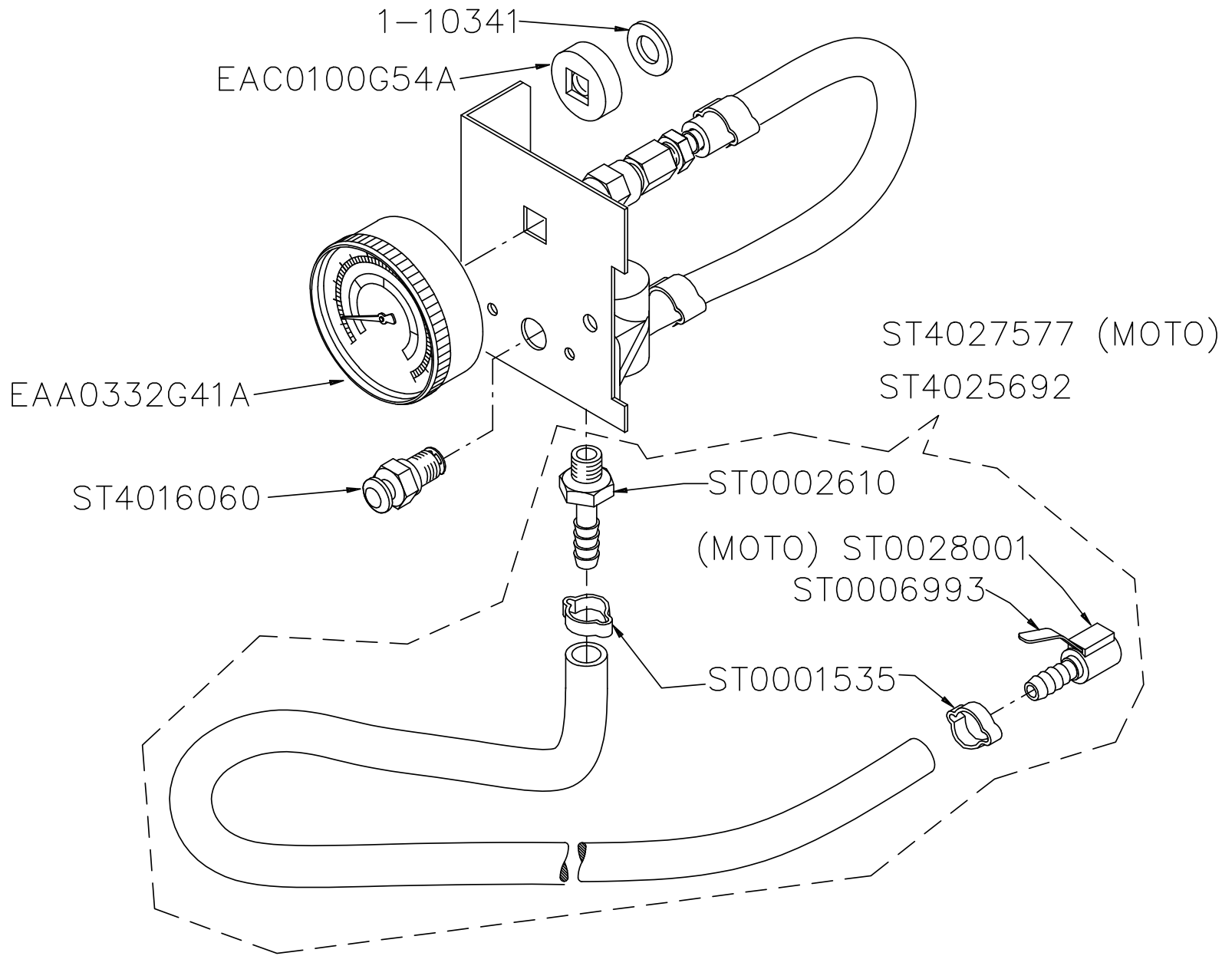


BEAD BLAST PEDAL & VALVE - 1507

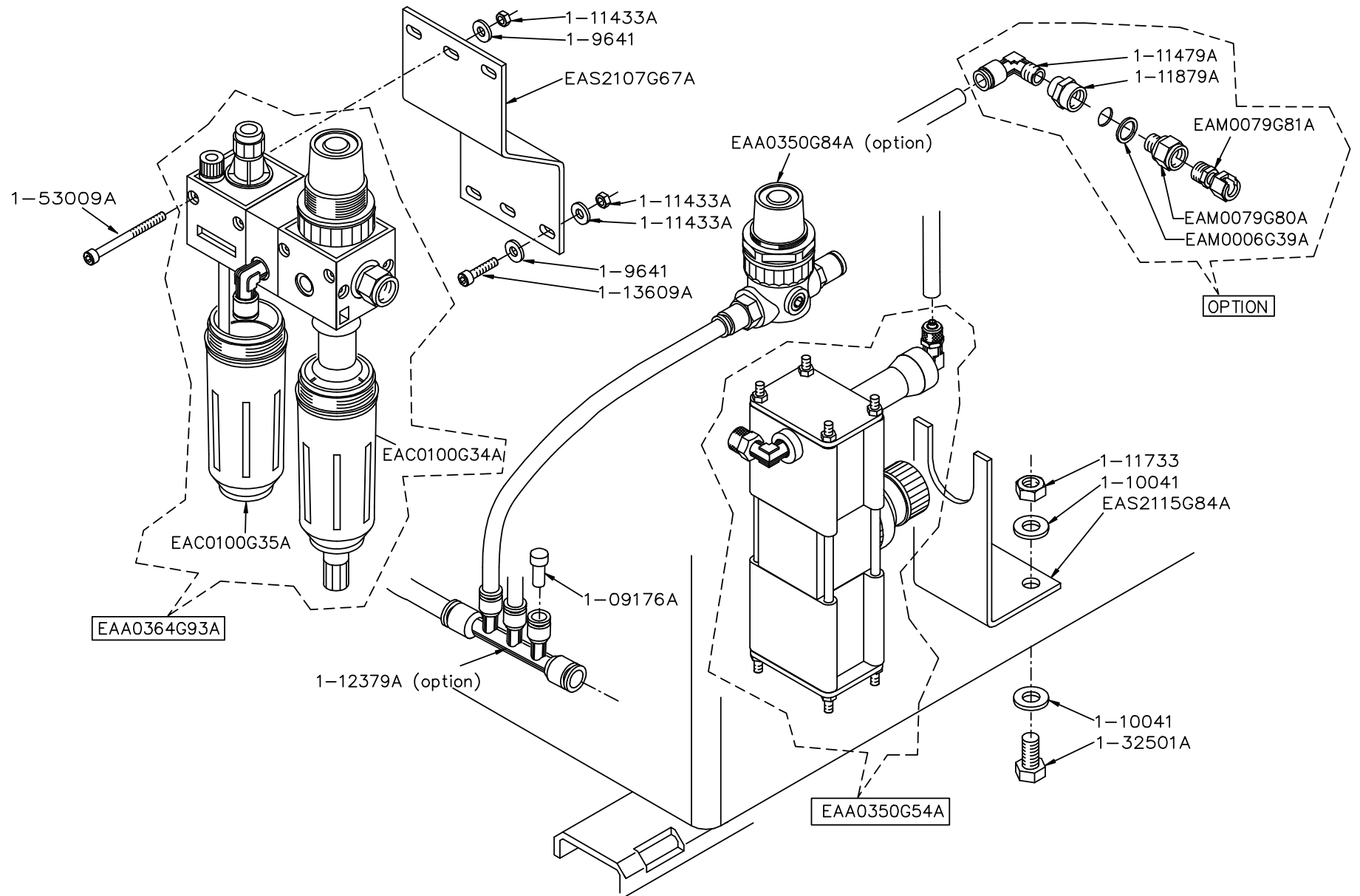


EAA0329G76A

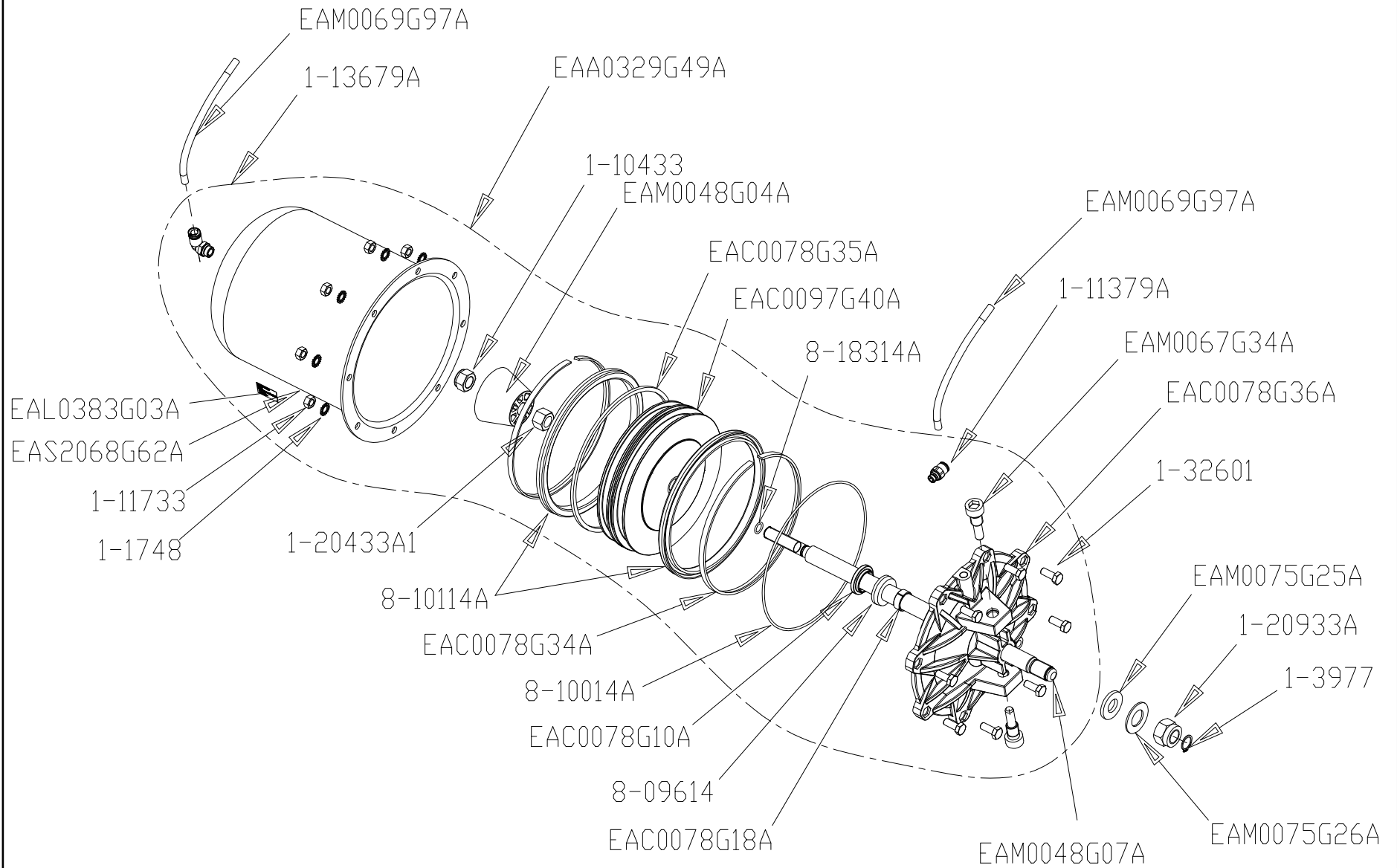
**AIR GUAGE - 1310**



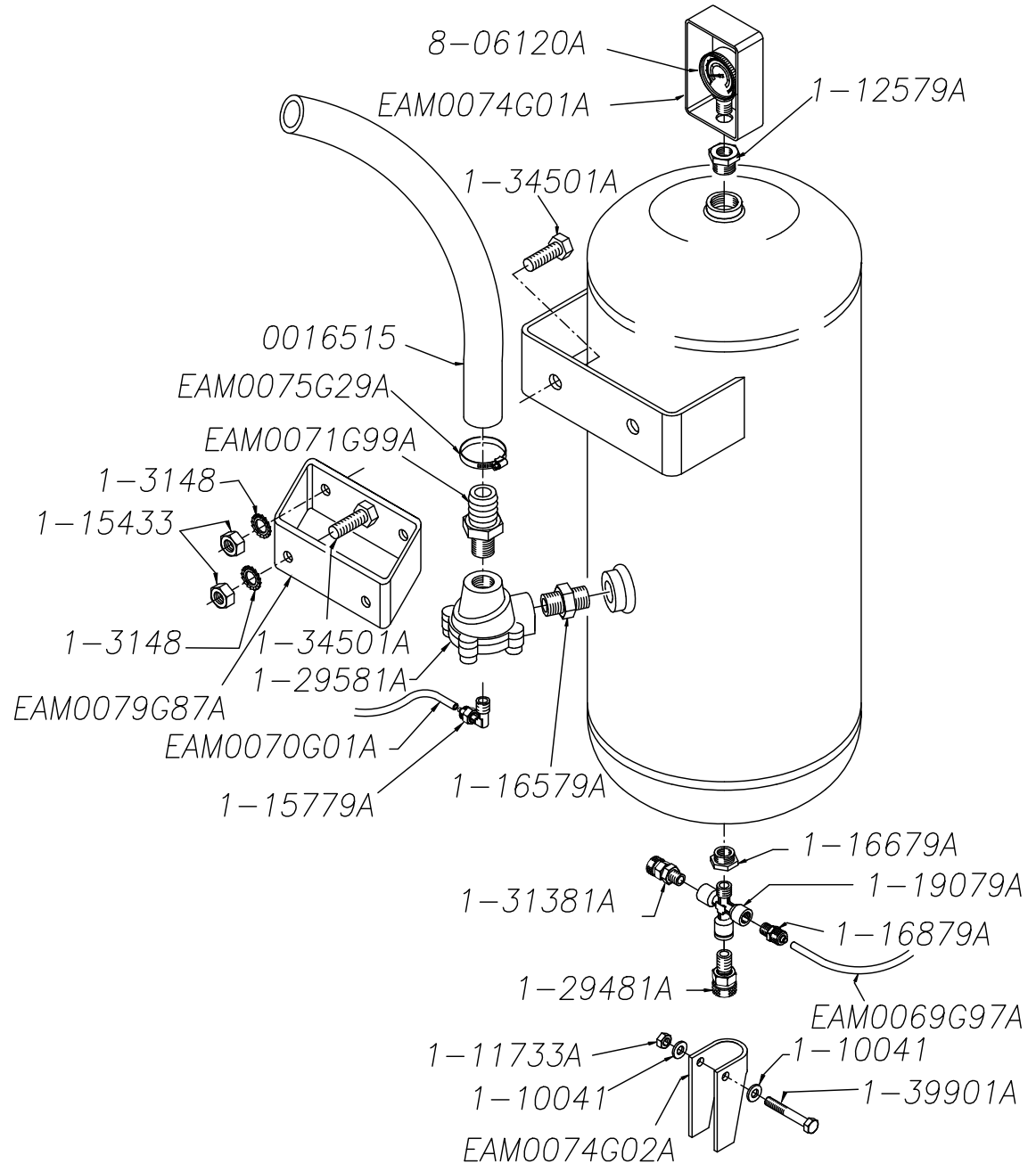
# LUBRICATOR - 1821



**BEAD BREAKER CYLINDER - 1766**



**SURGE TANK - 1079**









309 Exchange Avenue  
Conway, AR 72032