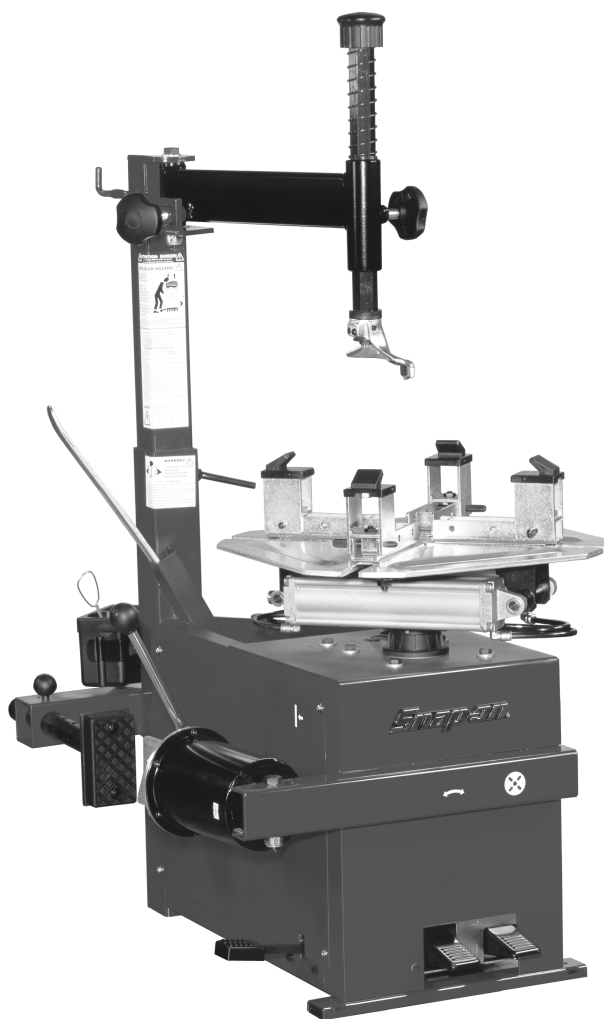


# EEWH307B

## Motorcycle Tire Changer

---

### Spare parts list



# **Snap-on**<sup>®</sup>

---

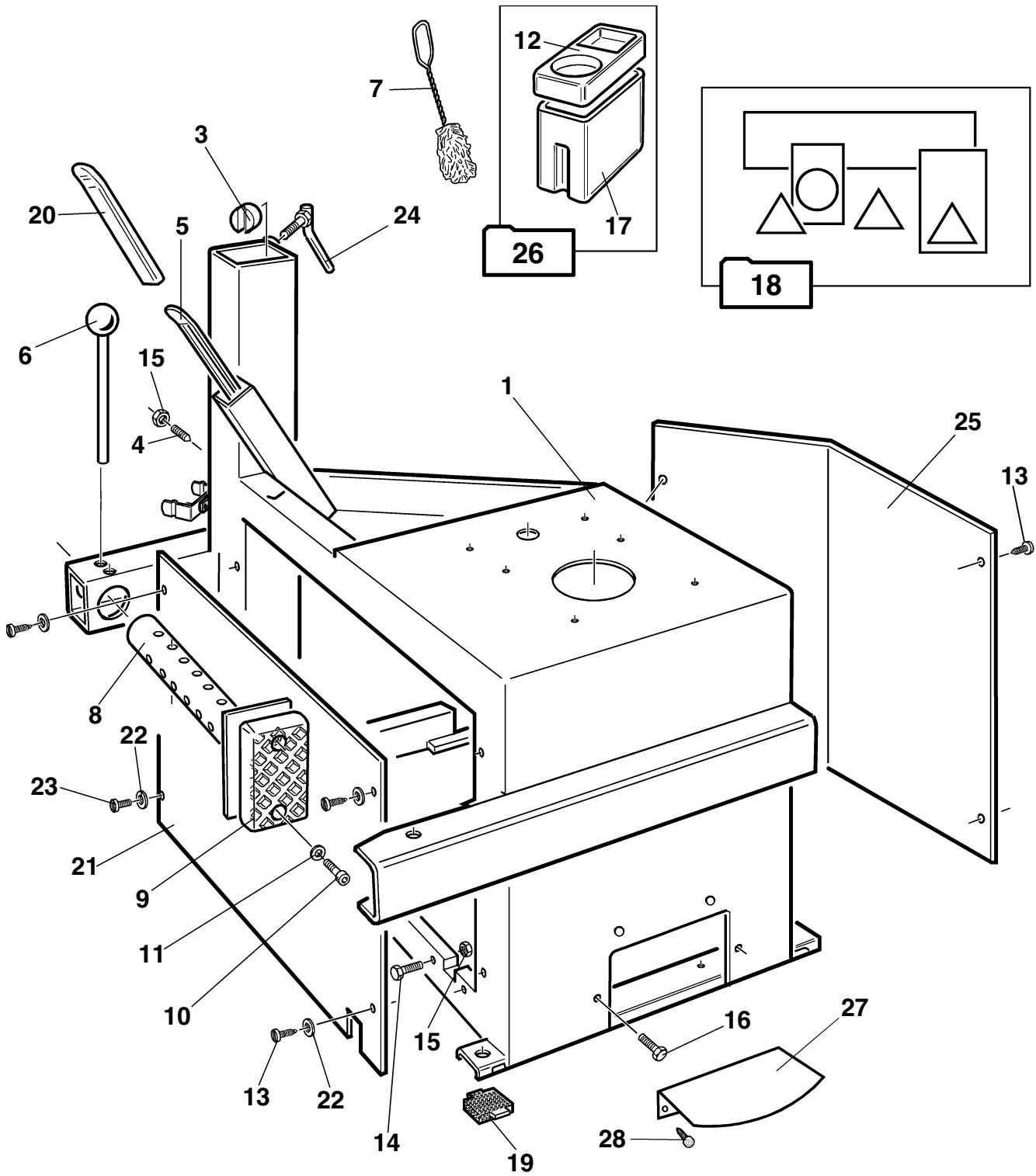
FORM ZEEWH307B

"FOR REFERENCE ONLY"

# FIG.1/A

# BODY

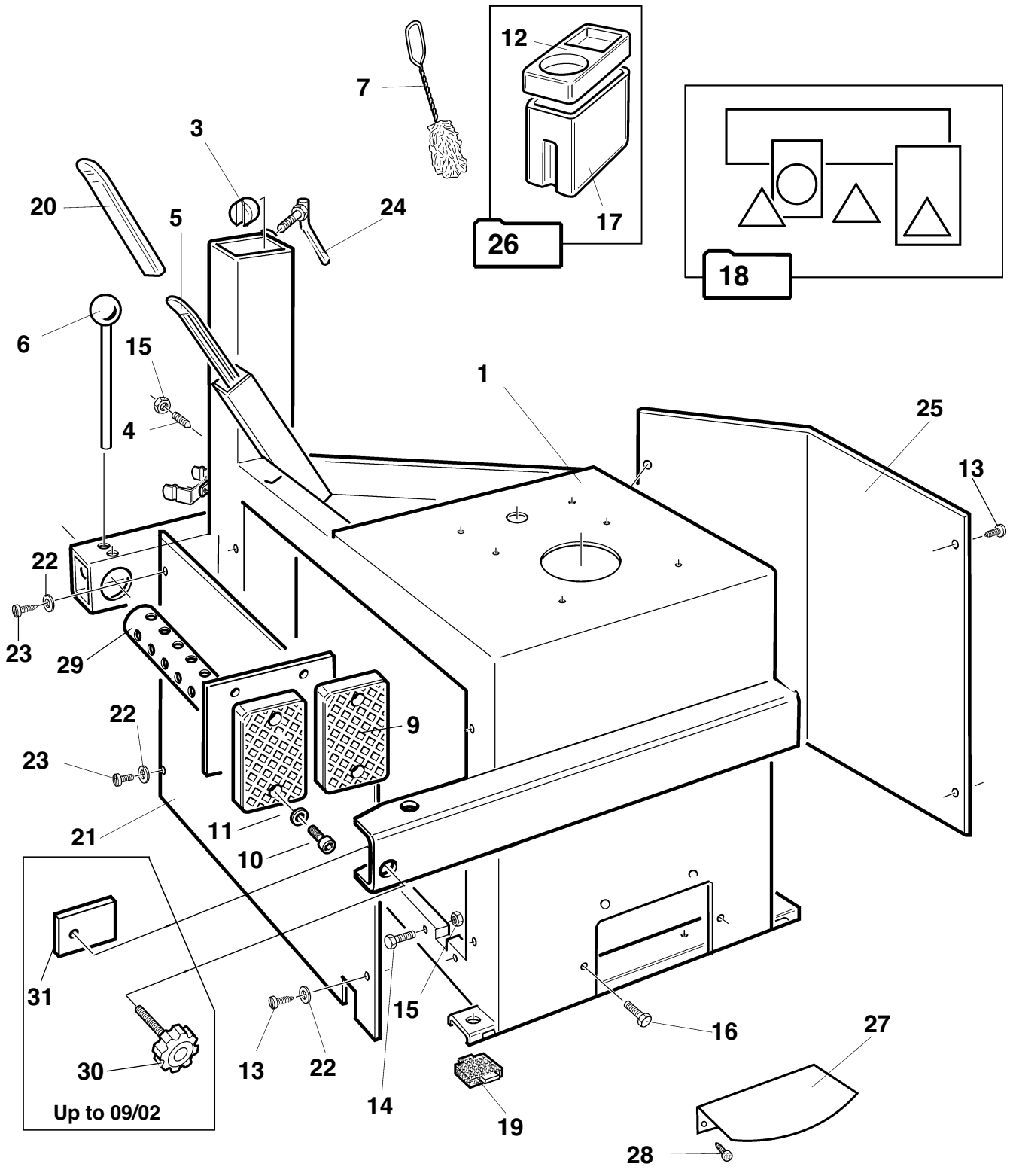
Version produced up to 09/01



# FIG.1/B

# BODY

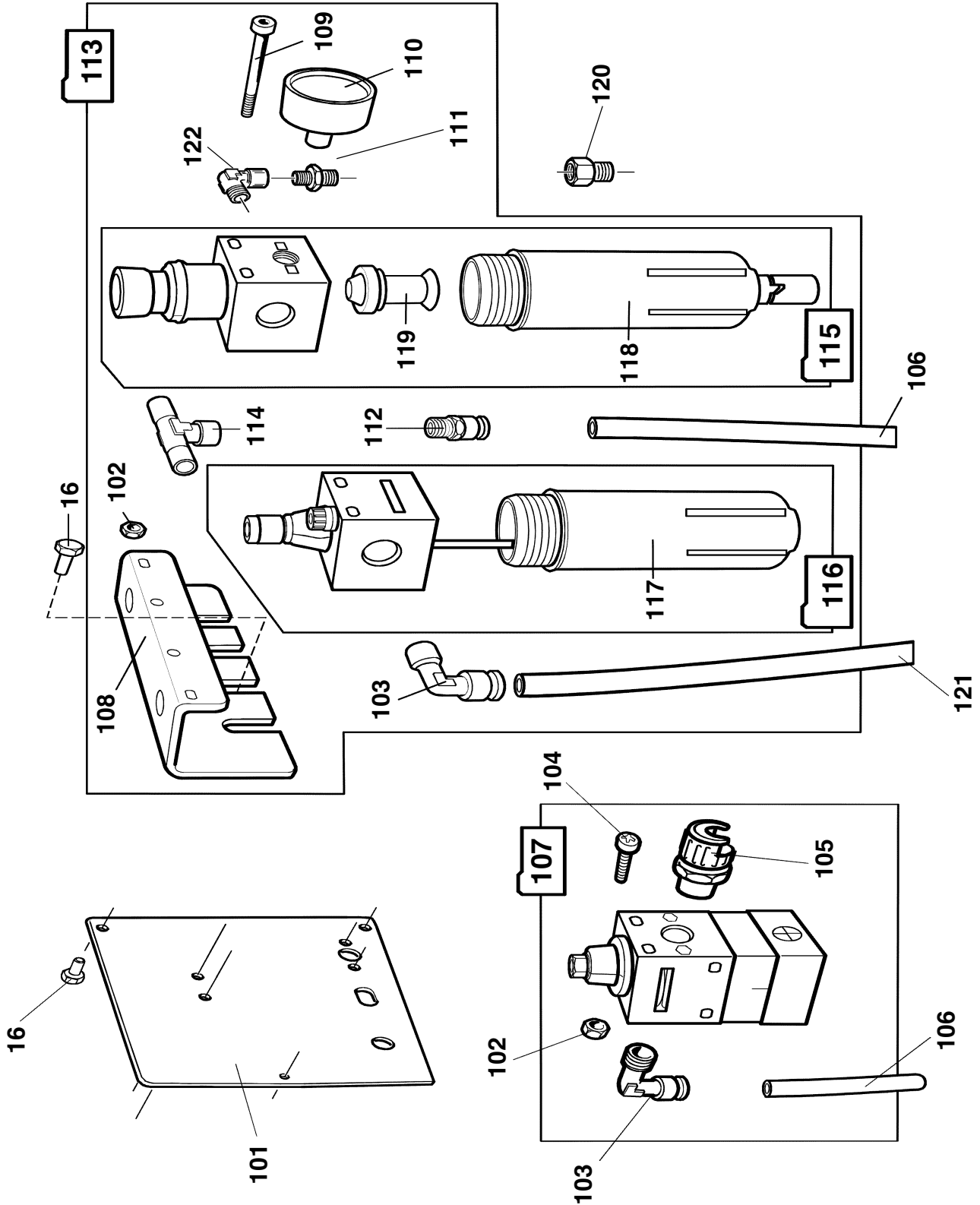
Version produced from 10/01



**FIG. 2/A**

**SERVICING UNIT**

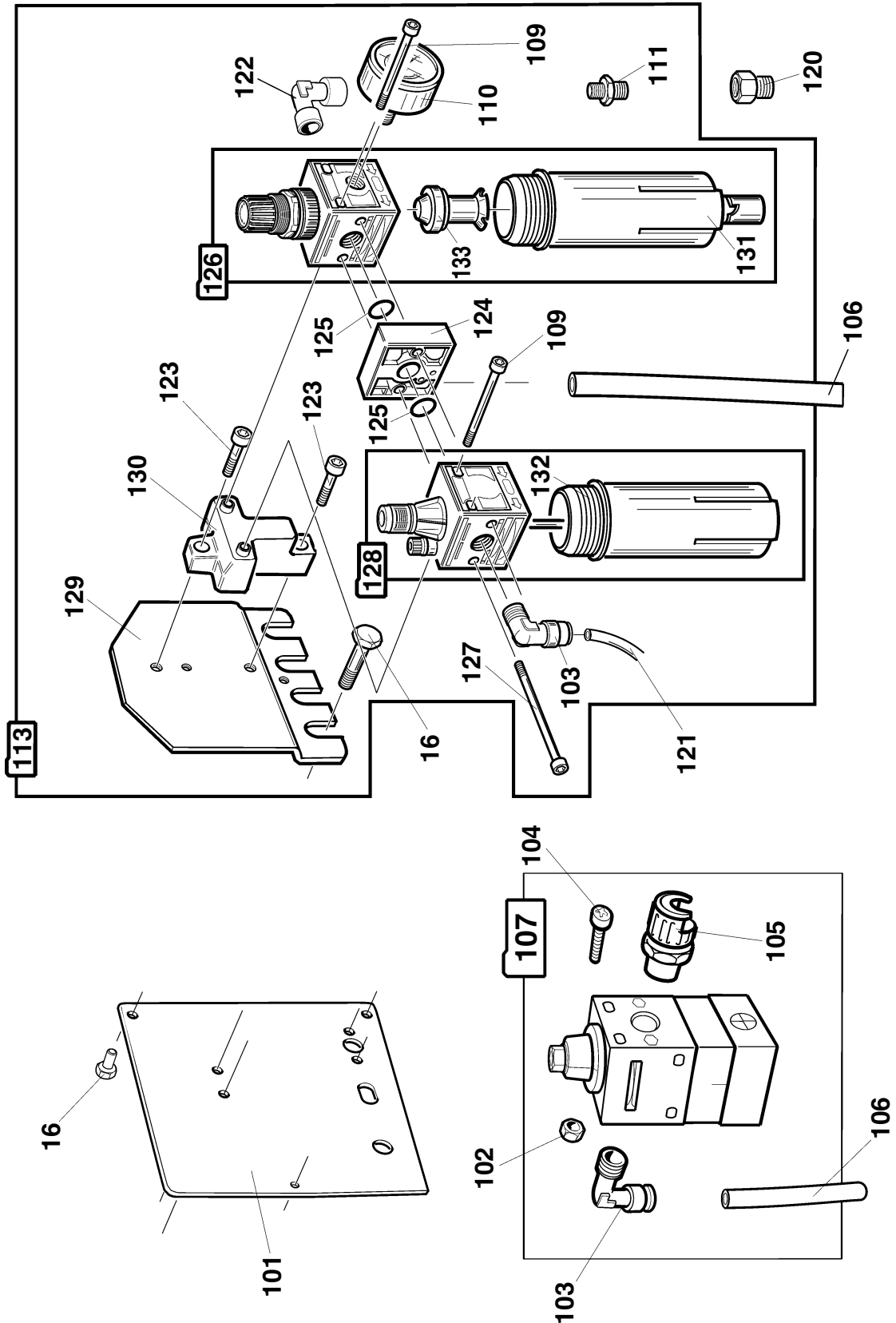
Version produced up to 05/01



**FIG. 2/B**

**SERVICING UNIT**

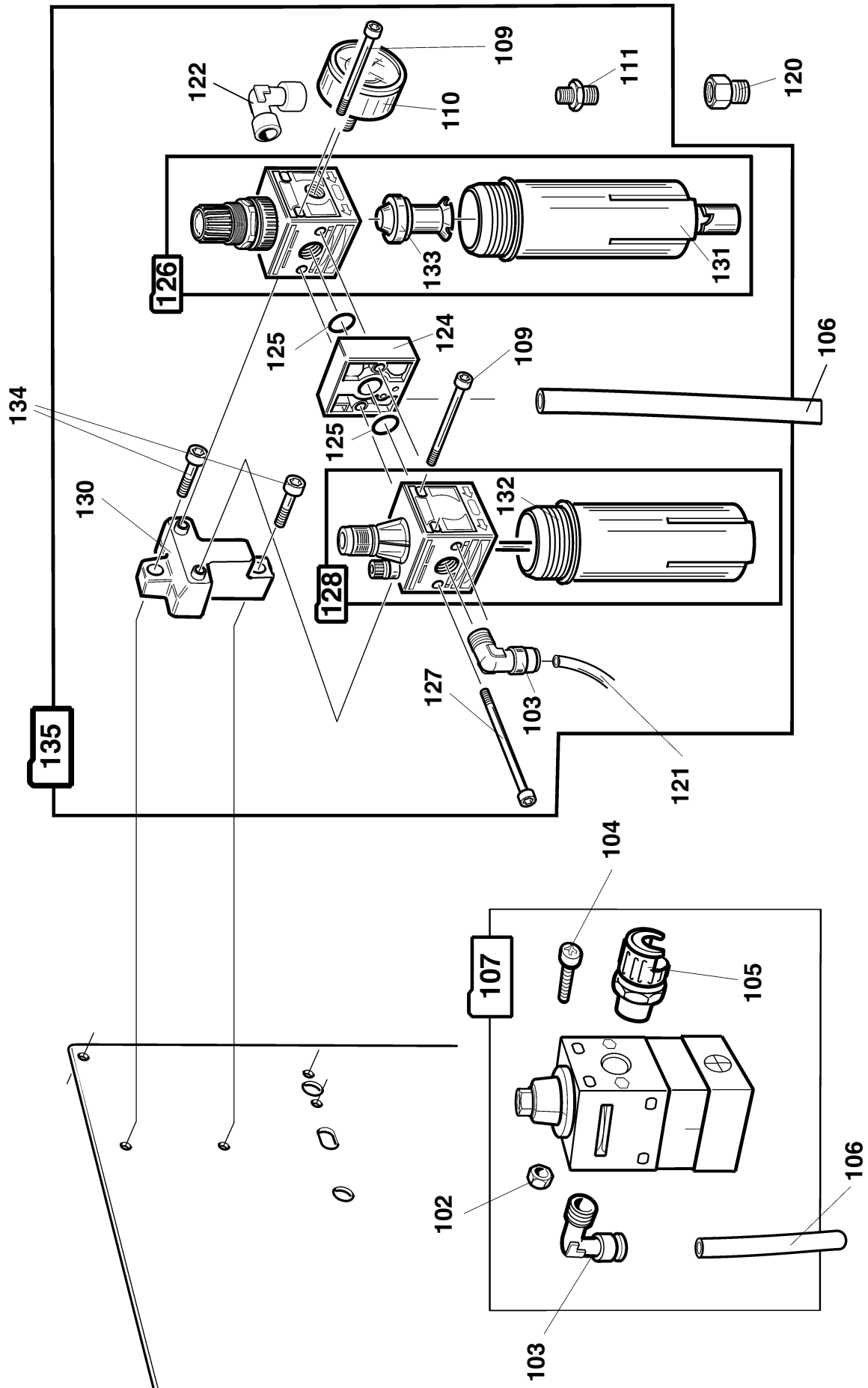
Version produced from 06/01 up to 09/02



**FIG. 2/C**

Version produced from 10/02

**SERVICING UNIT**

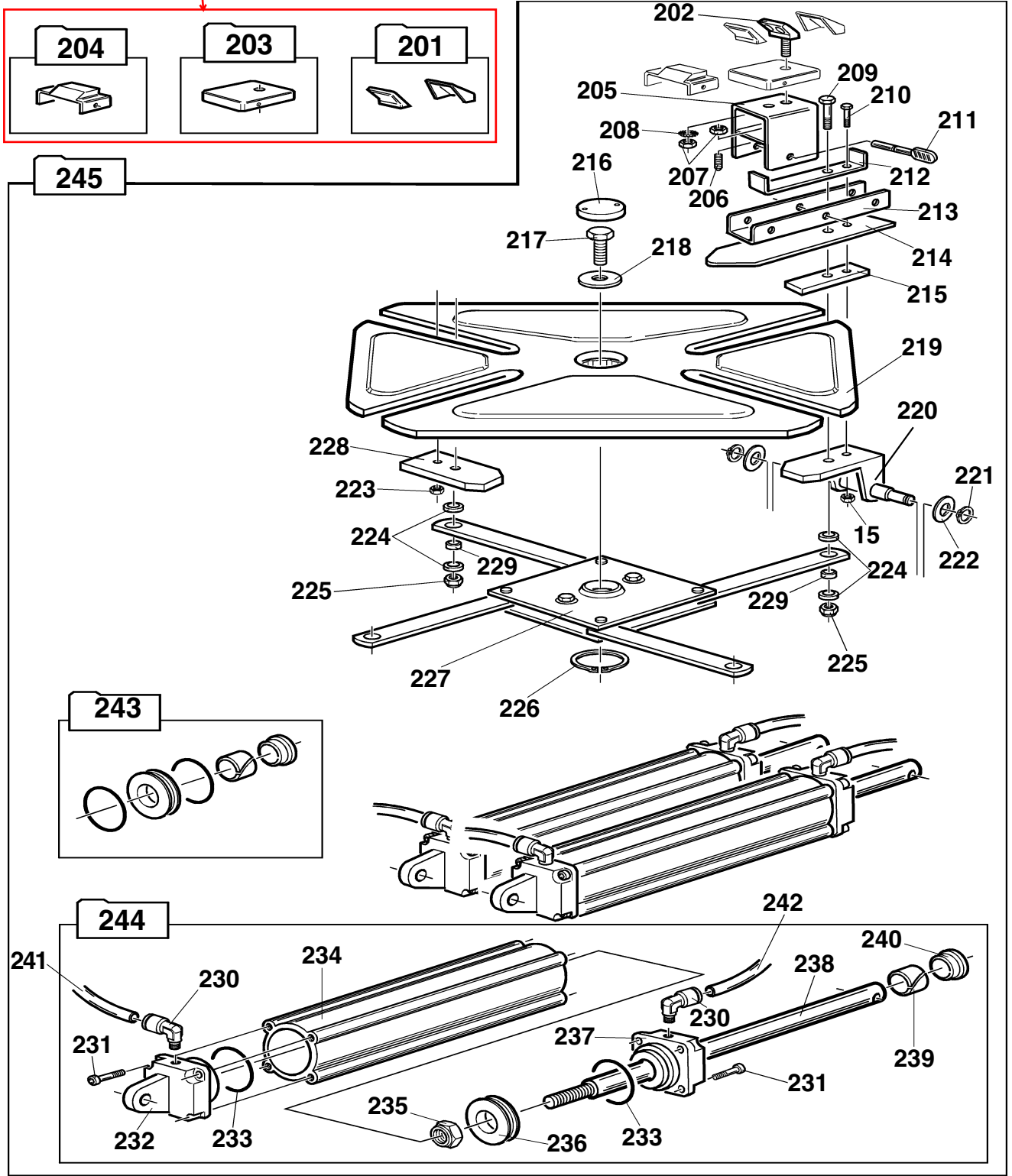


**FIG. 3/A**

**CHUCK**

Version produced up to 02/2001

Click here for Picture and Part Numbers

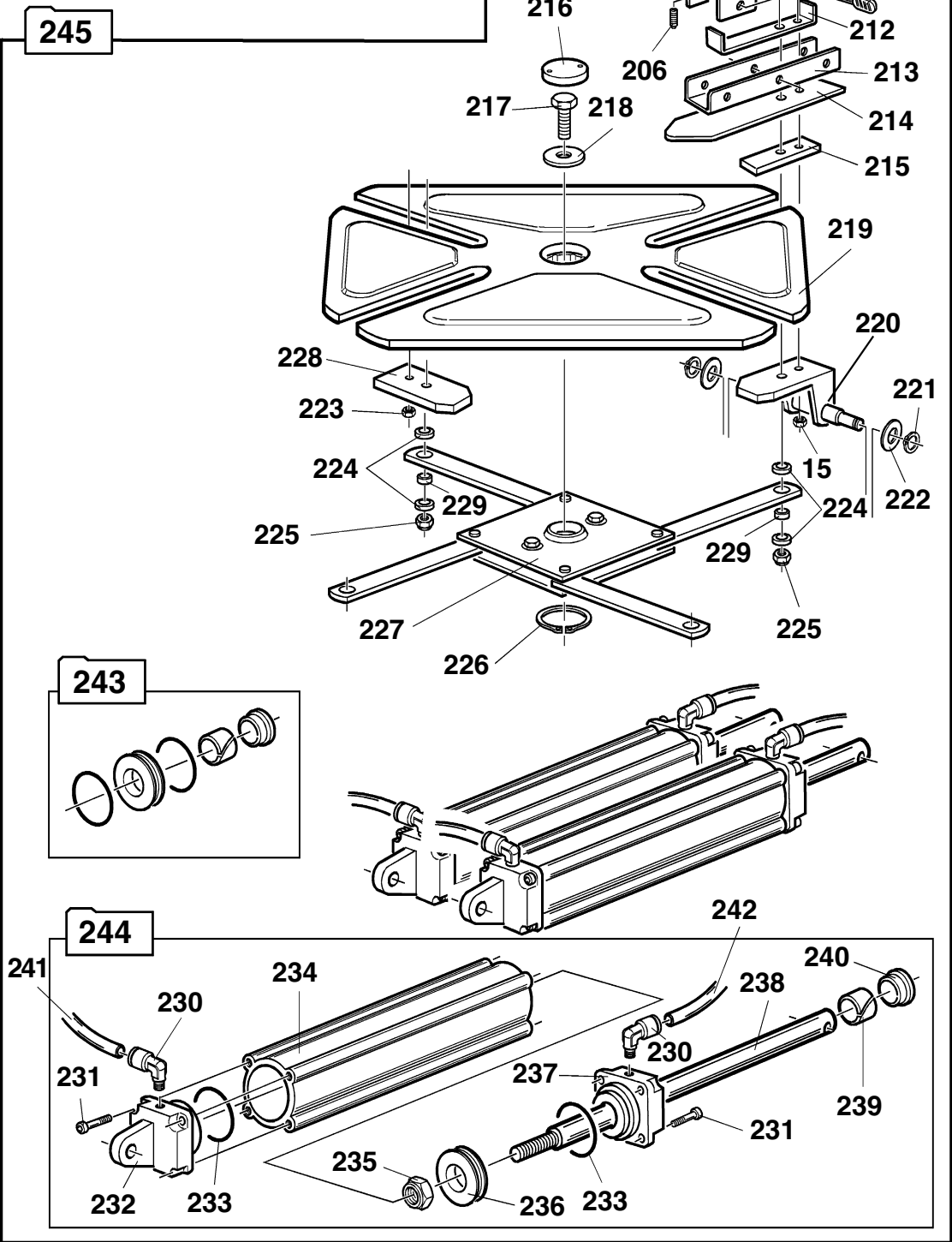
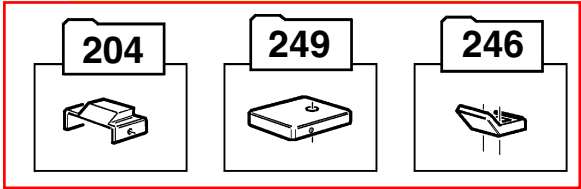


**FIG. 3/B**

**CHUCK**

Version produced from 03/2001 up to 06/2002

[Click Here for Pictures and Parts Numbers](#)



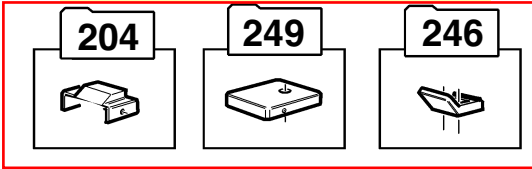


**FIG. 3/C**

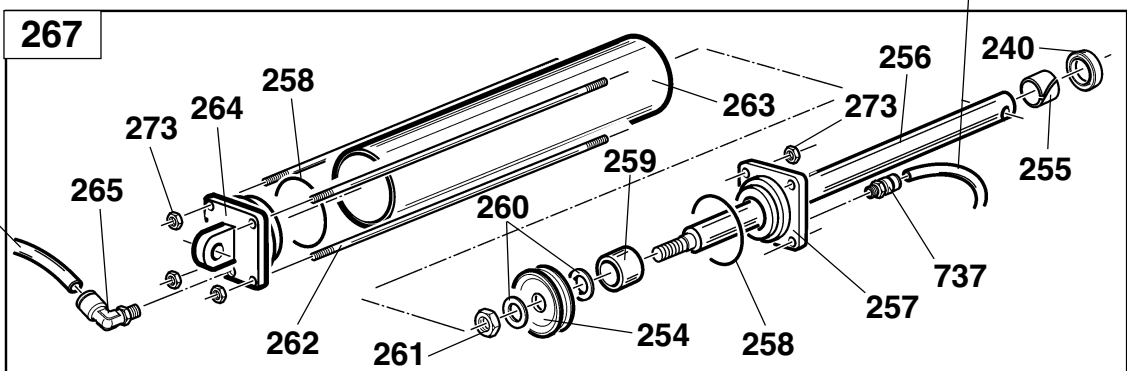
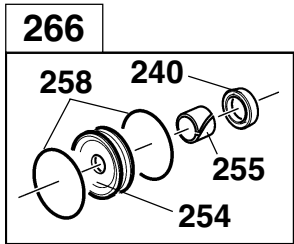
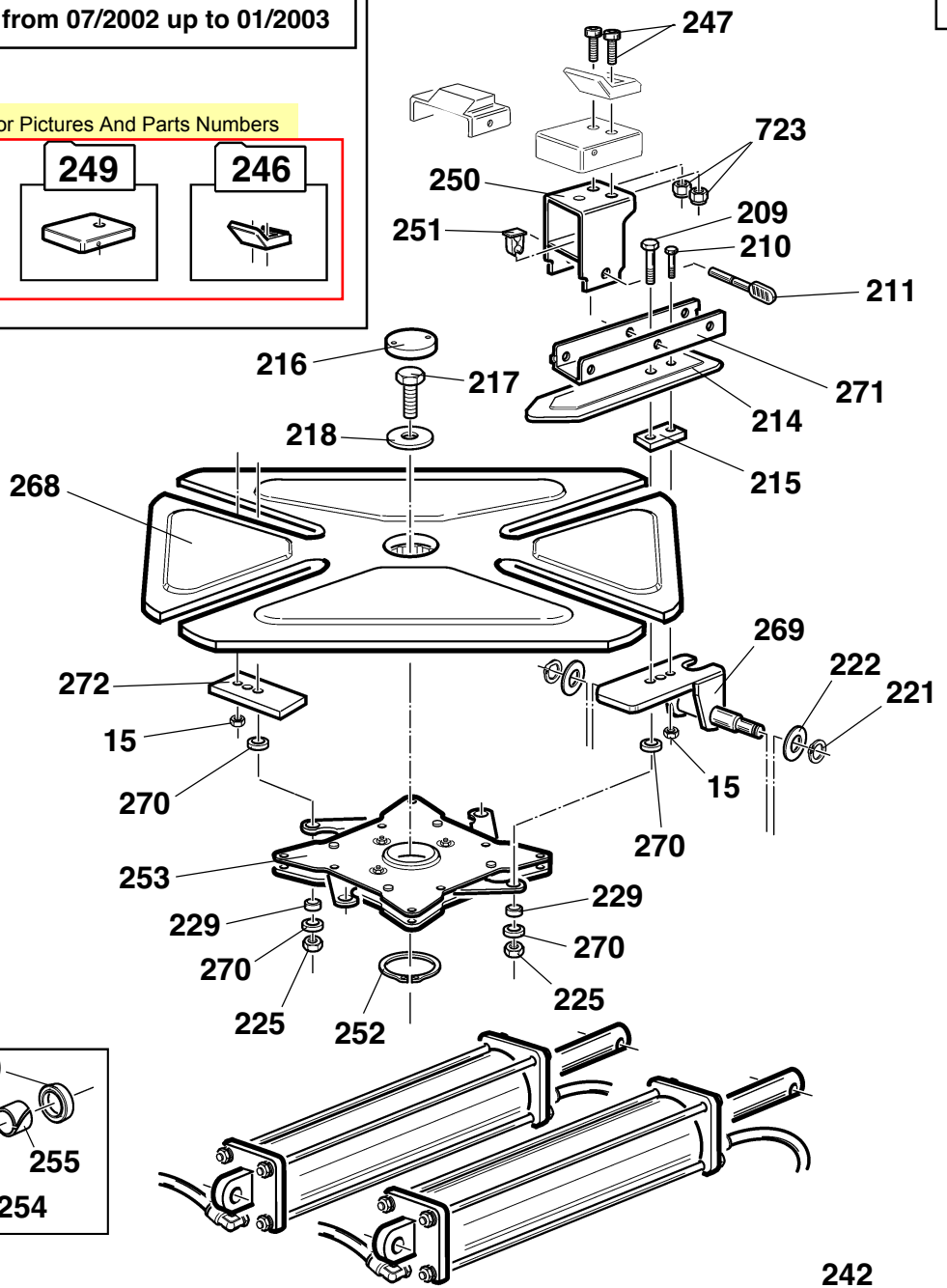
**CHUCK**

Version produced from 07/2002 up to 01/2003

[Click Here For Pictures And Parts Numbers](#)



**245**



**FIG. 3/D**

**CHUCK**

Version produced from 02/2003

[Click Here For Pictures and Part Numbers](#)

**204**



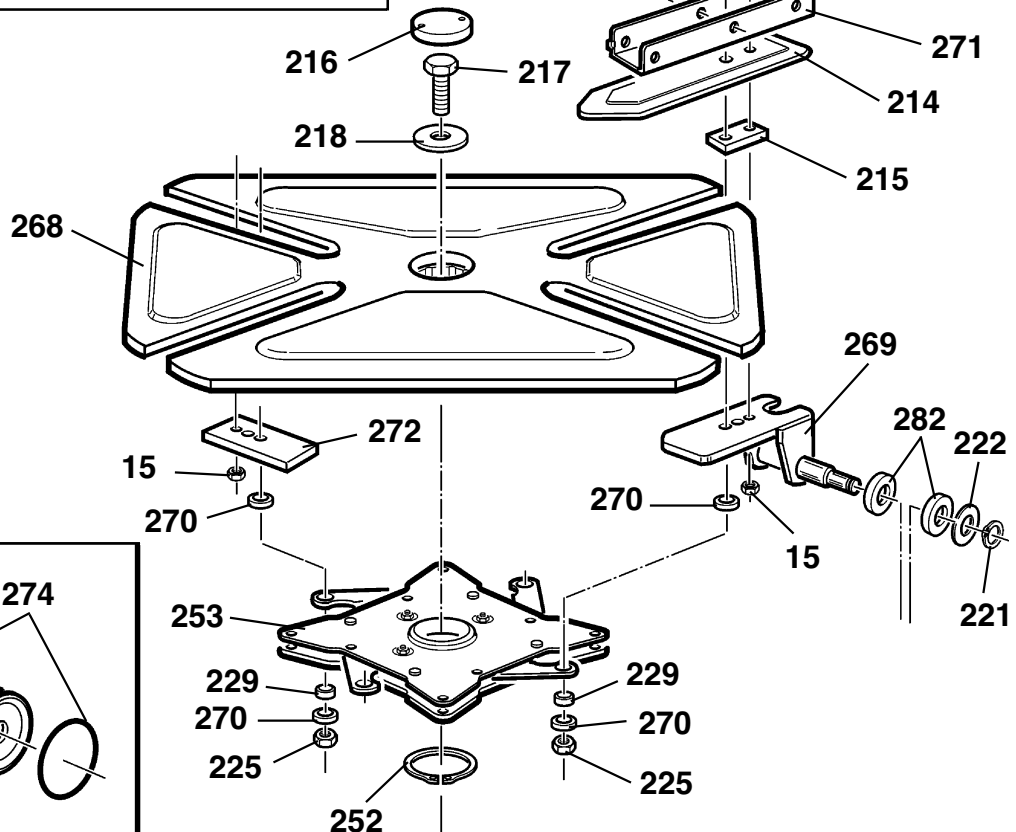
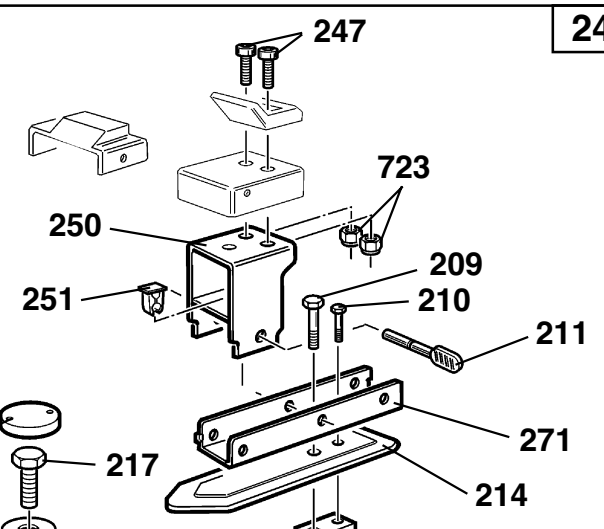
**249**



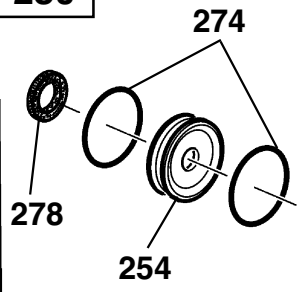
**246**



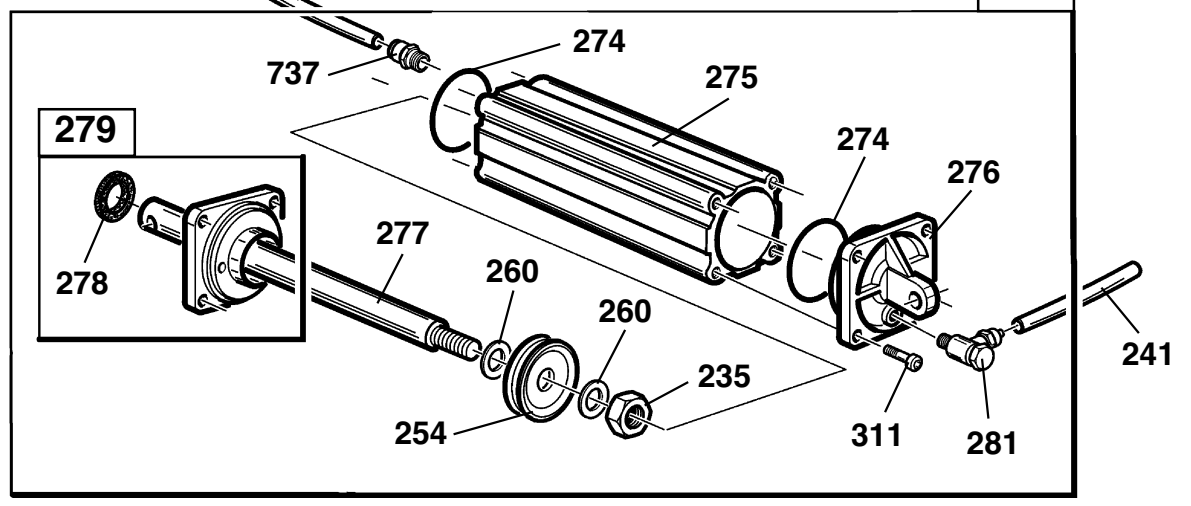
**245**



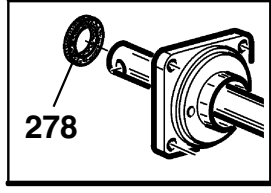
**280**



**267**



**279**

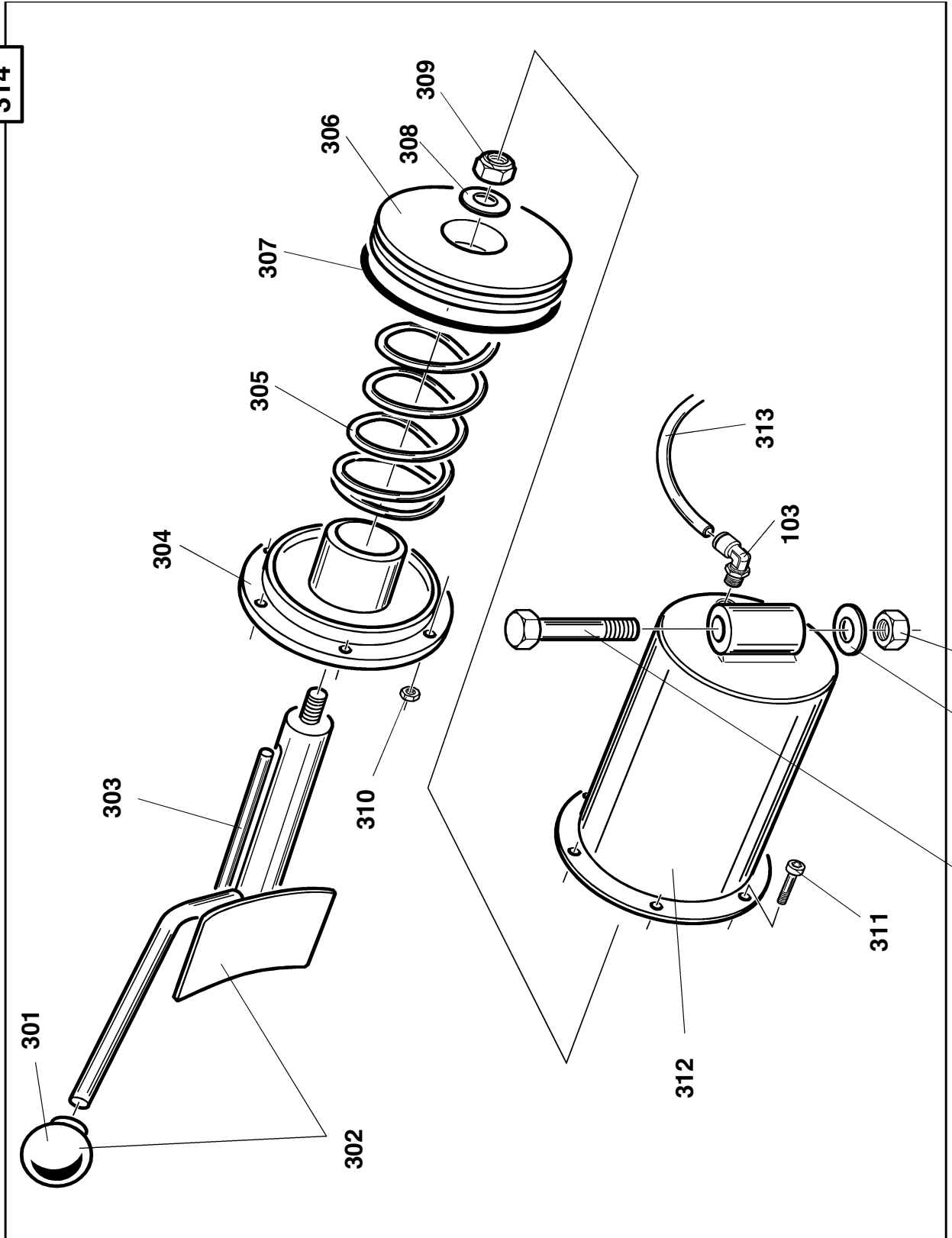


**FIG. 4/A**

**BEAD BREAKER**

Version produced up to 06/2002

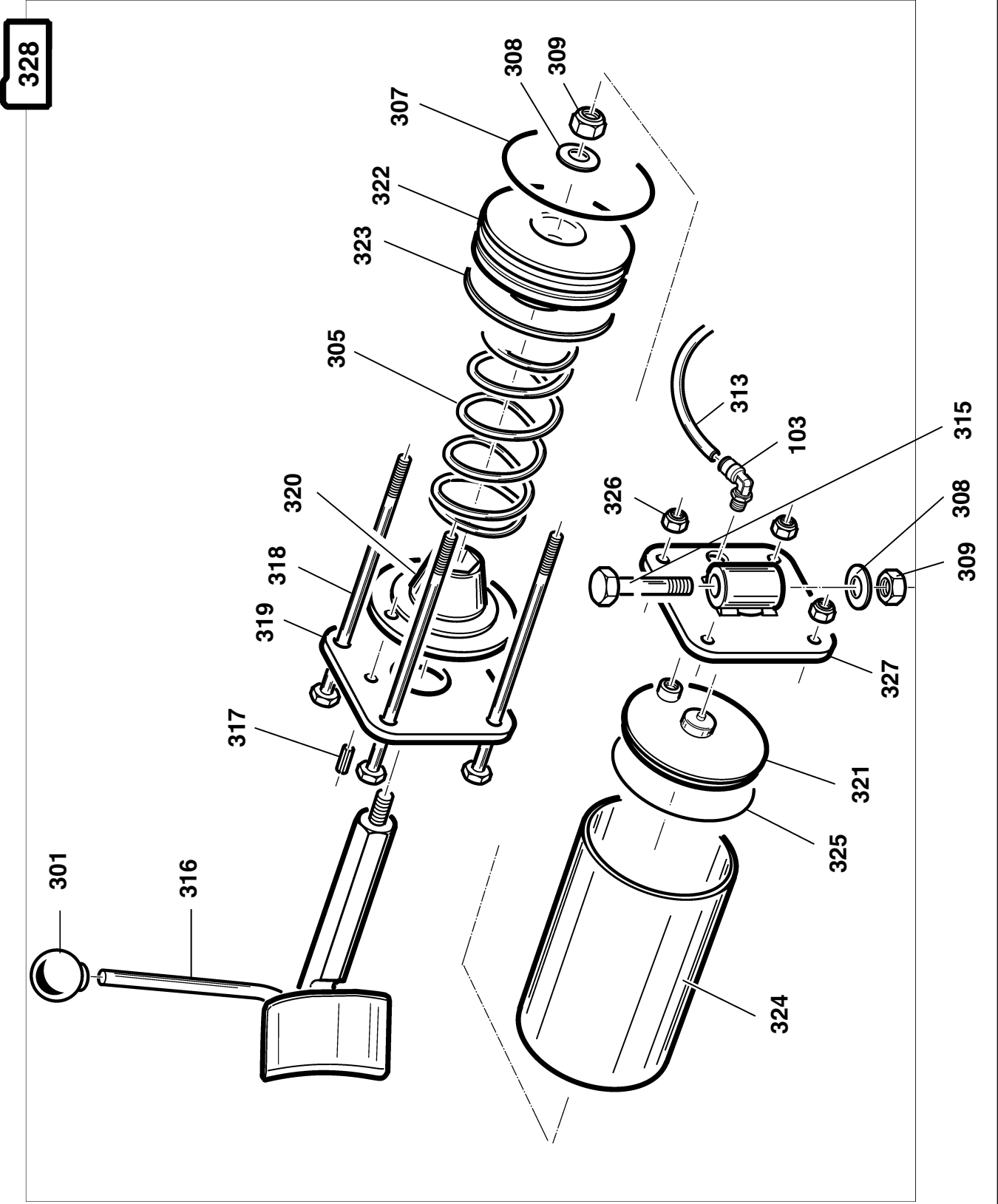
314



**FIG. 4/B**

**BEAD BREAKER**

Version produced from 07/2002



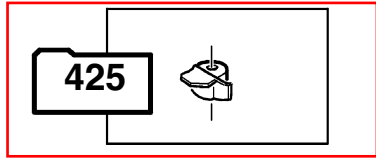
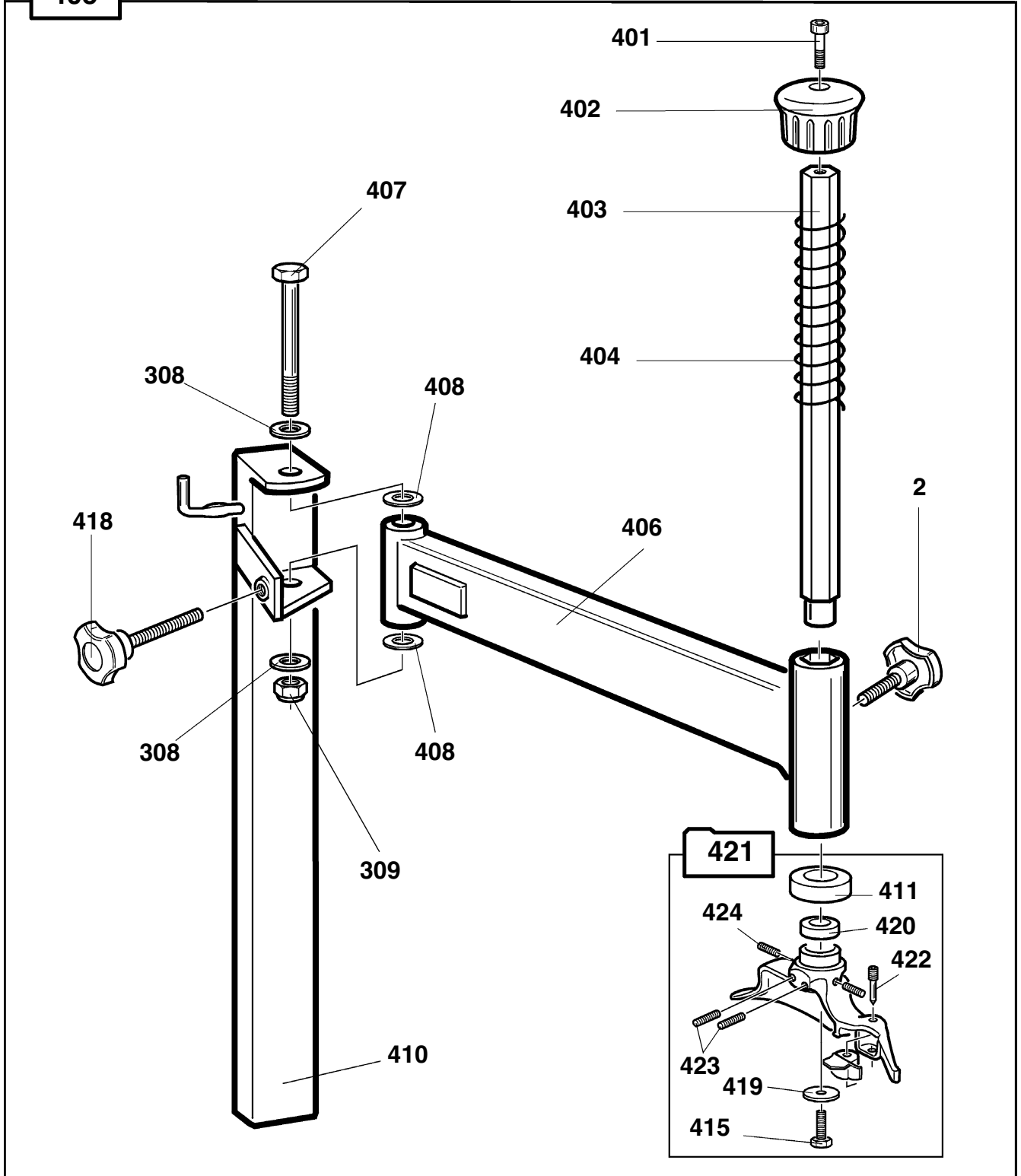
328

**FIG. 5/A**

**TYRE CHANGING SYSTEM**

Version produced up to 06/2002

**405**



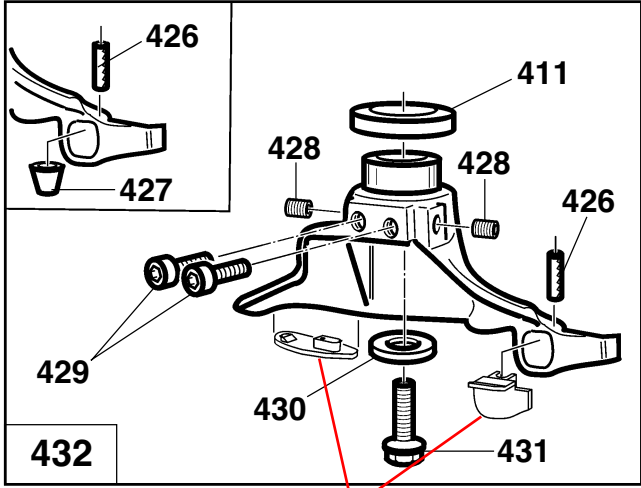
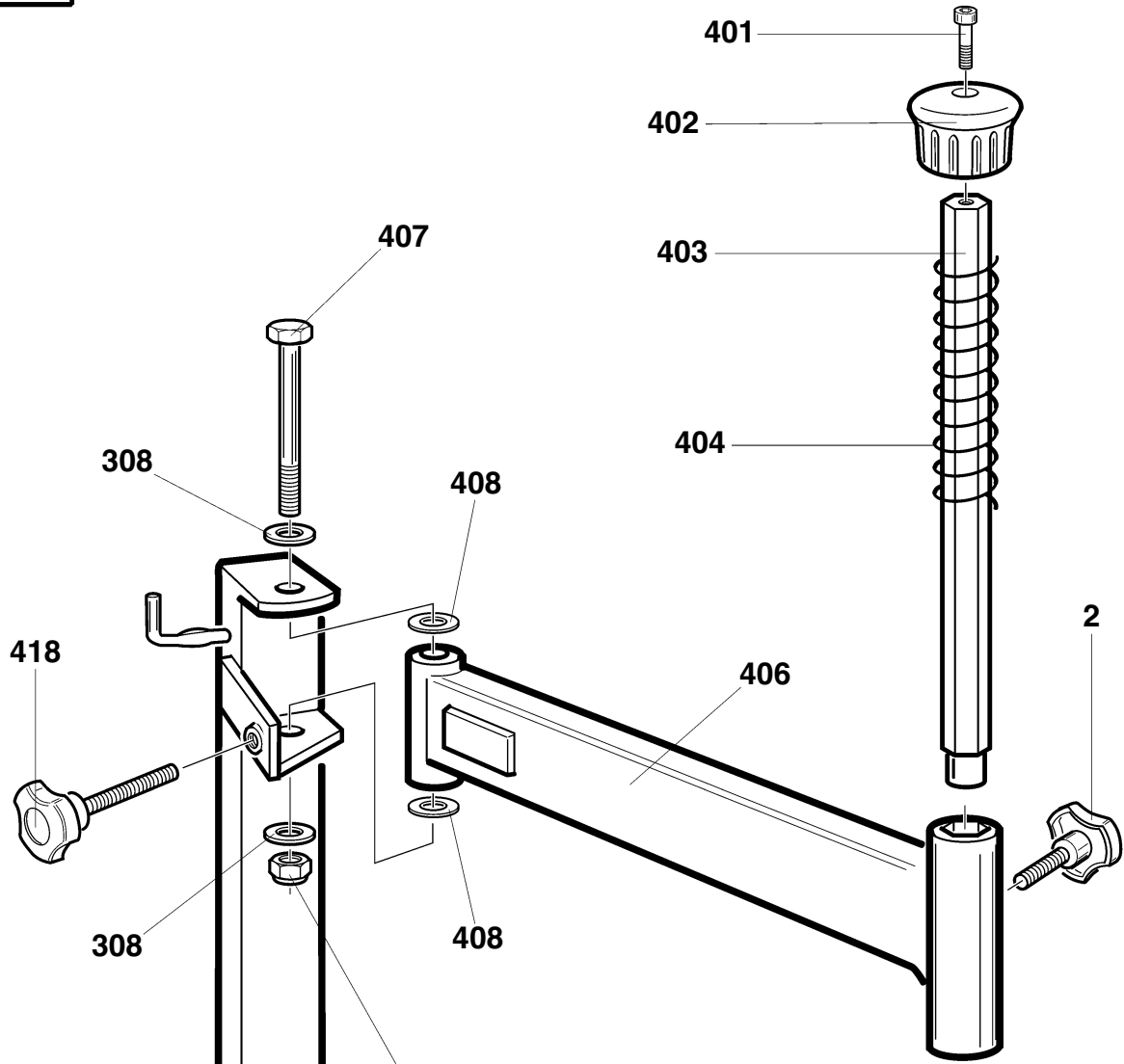
[Click Here for Pictures and Part Numbers](#)

# FIG. 5/B

# TYRE CHANGING SYSTEM

Version produced from 07/2002

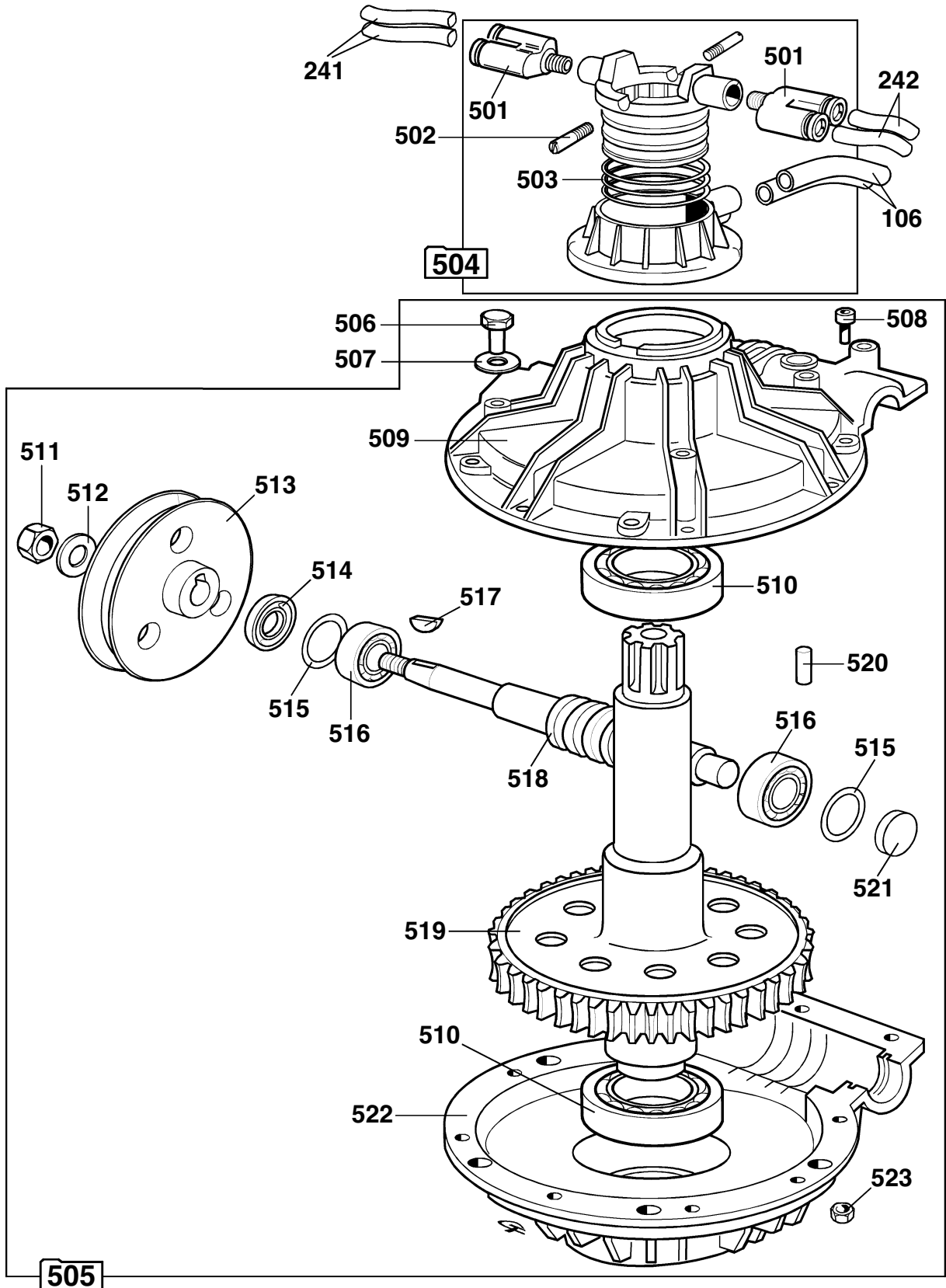
405



[Click Here for Picture and Part](#)

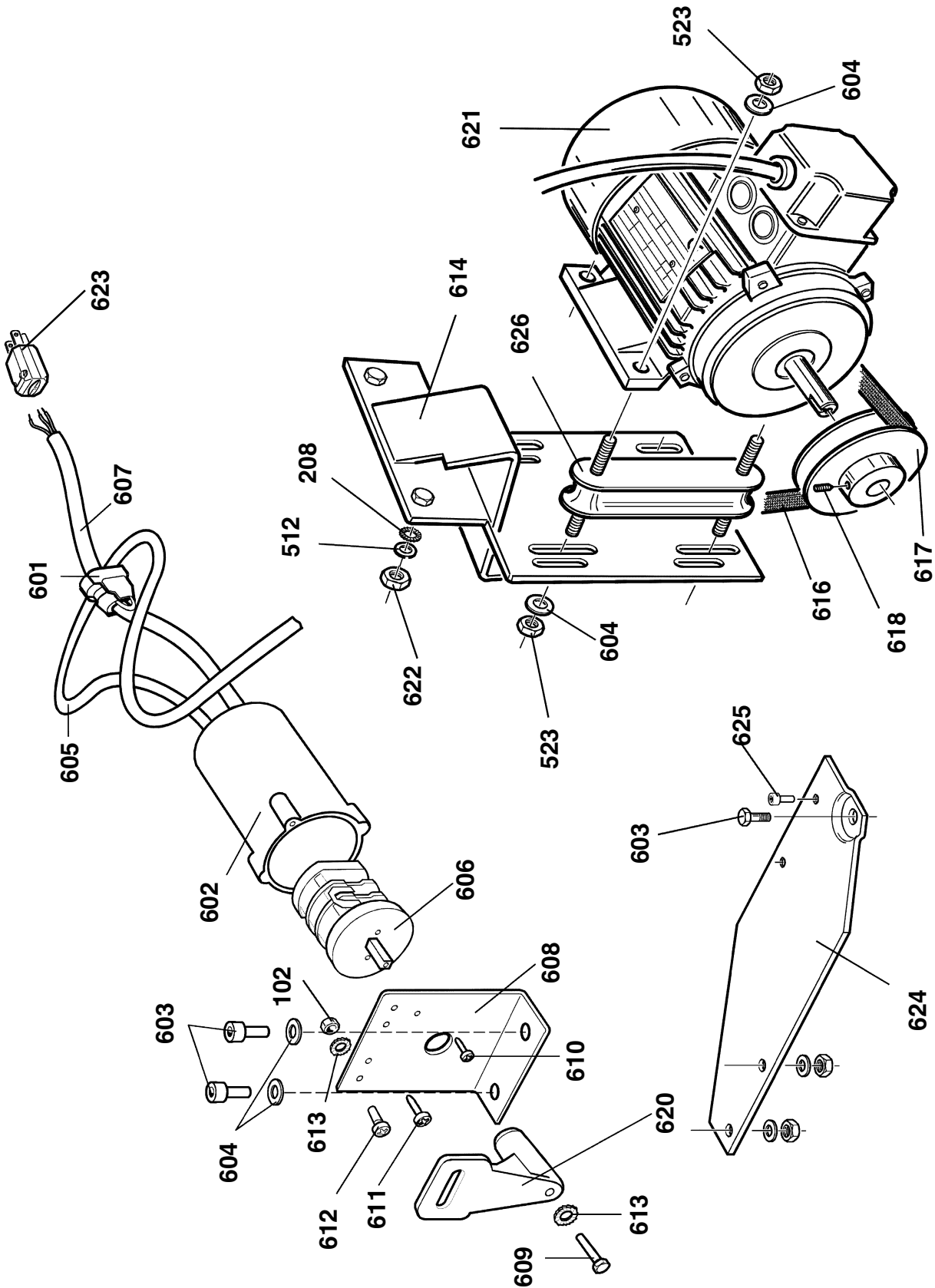
**FIG. 6**

**DRIVE UNIT**



**FIG. 7**

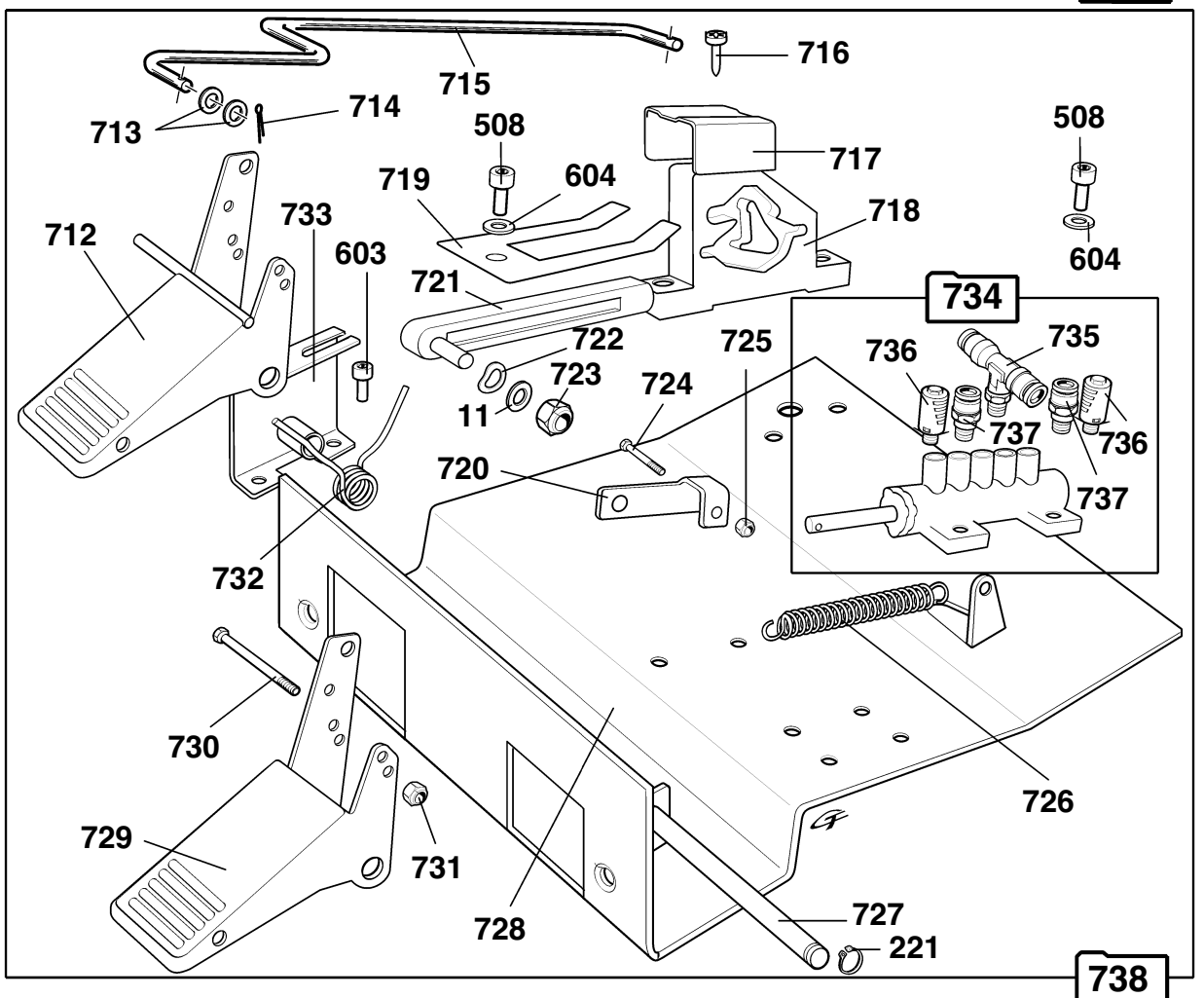
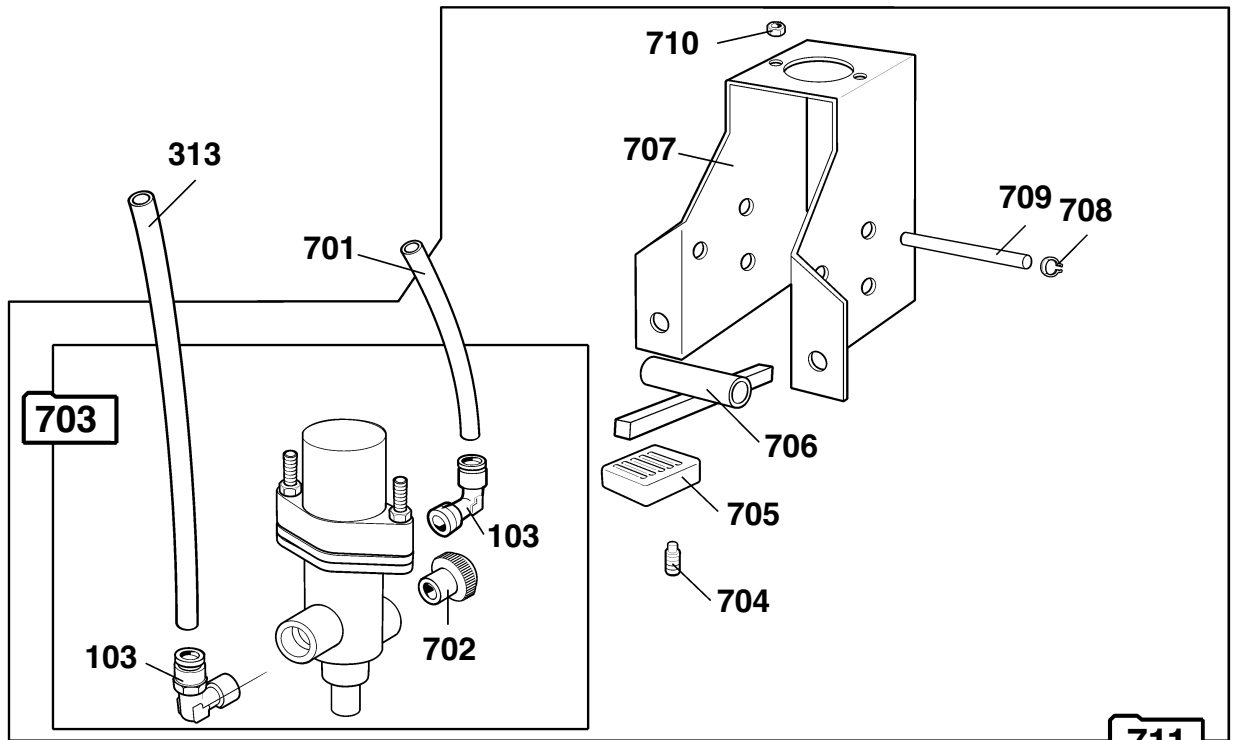
**ELECTRIC SYSTEM**





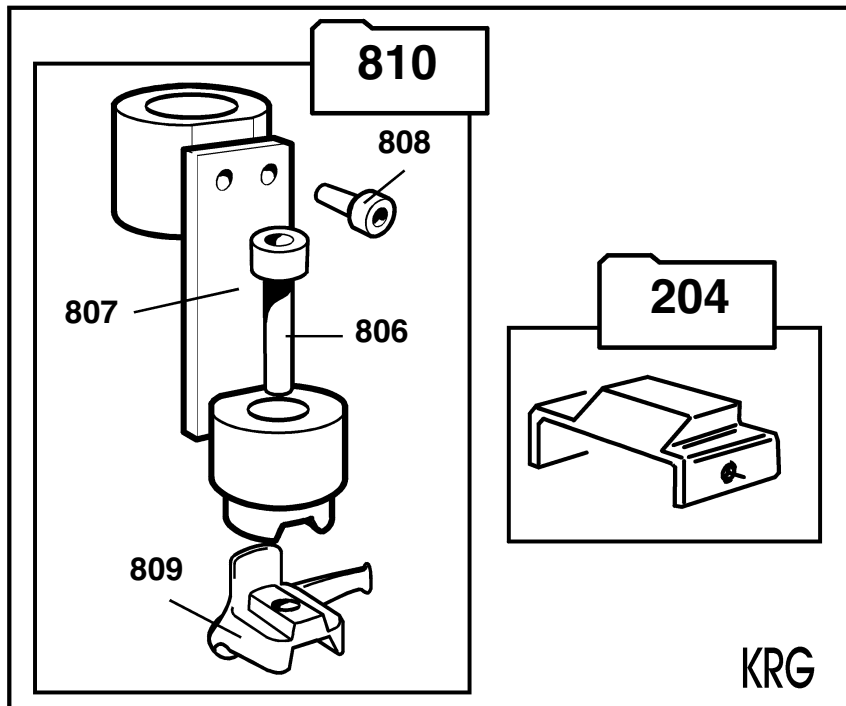
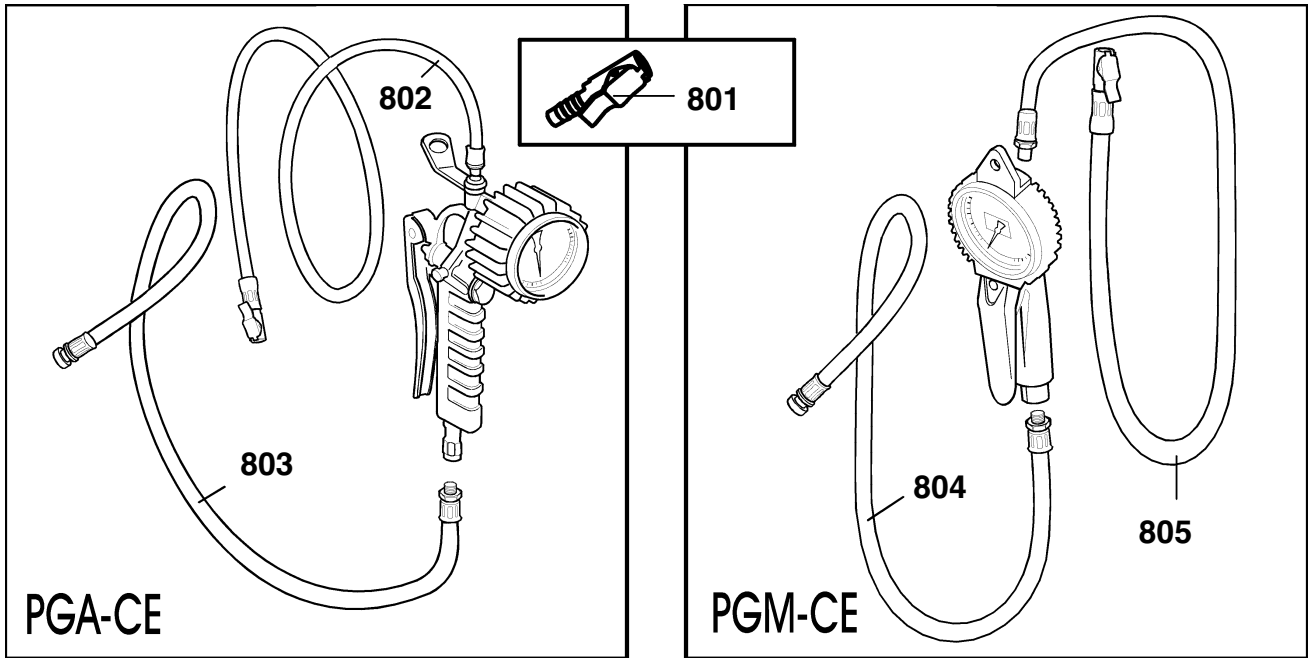
**FIG. 8**

**PNEUMATIC UNIT WITH PEDAL ASSEMBLY**



**FIG. 9**

**ADDITIONAL JAW**



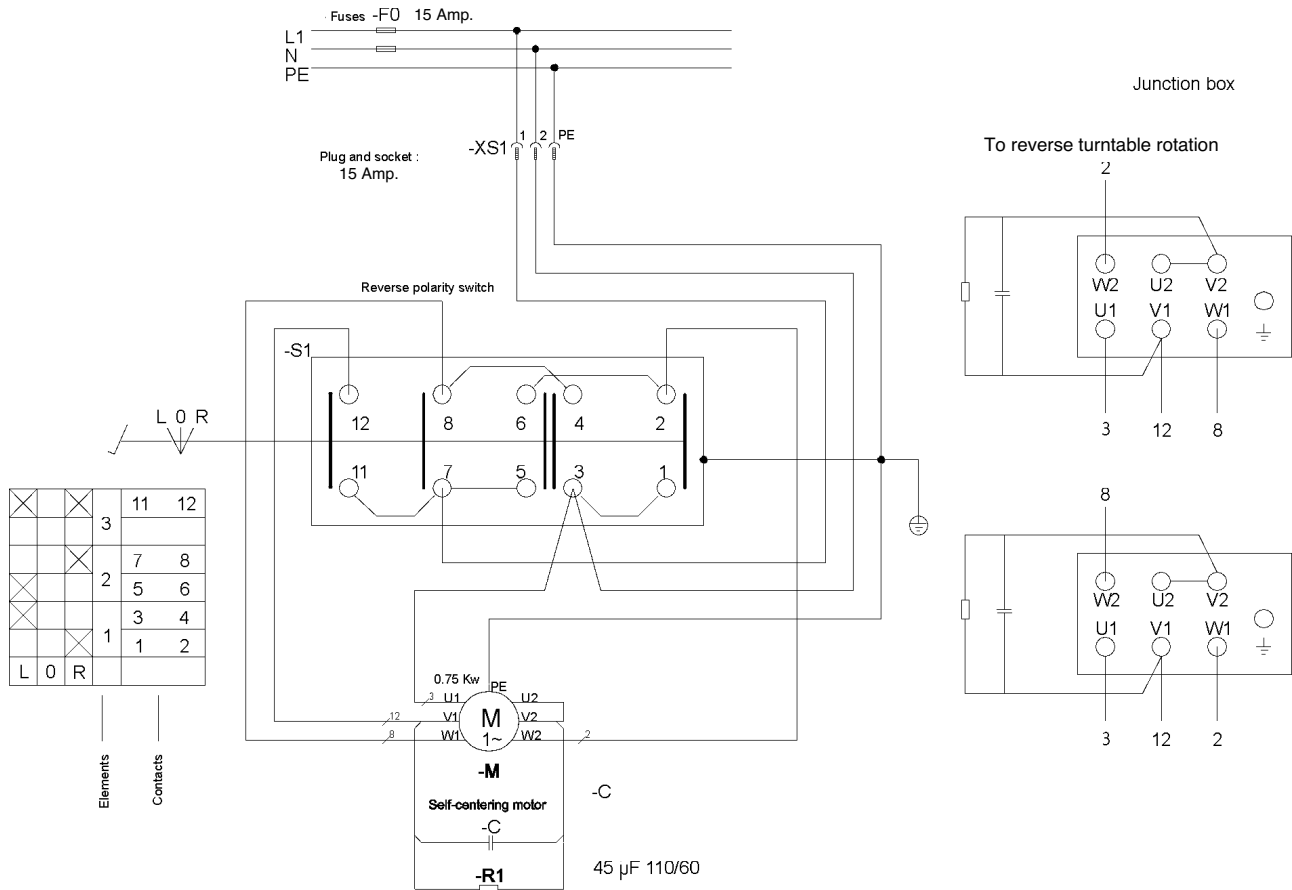
No.	Mat.no./Ref.	DESIGNATION	No.	Mat.no./Ref.	DESIGNATION
1	1975232	Body	118	1977212	Water separator
2	1975233	Handle with screw	119	1977211	Filter
3	1975234	Locking block for vertical post	120	1975316	Socket-joint 14x1,5
4	1975235	Screw M 8x20	121	1480306	Pneumatic hose *
5	1975315	Tyre lever	122	1486222	L-union 1/4"
6	1975237	Locking pin	123	1524025	Screw M 5x10
7	1975318	Brush	124	1975569	Connecting block
8A	1975238	Wheel support (up to 02/2001)	125	1975570	O-ring 1,78x14
8B	1975327	Wheel support (from 03/2001)	126	1975338	Complete filter unit
9A	1975239	Rubber pad (up to 02/2001)	127	1975572	Screw M 4x70
9B	1975328	Rubber pad (from 03/2001)	128	1975573	Complete lubricator unit
10	1530093	Screw M 8x16	129	1975574	Pneumatic assembly support
11	1641080	Washer ø 8	130	1975575	Filter and lubricator holder
12	1970033	Cover for tyre paste container	131	1975577	Filter tank
13	1532515	Screw M 4,8x16	132	1975578	Lubricator tank
14	1530093	Screw M 8x16	133	1975579	Filter
15	1555080	Nut M 8	134	1976291	Screw M 5x12
16	1530091	Screw M 8x12	135	1975590	Complete service unit
17	1970034	Tyre paste container	201	ACCESSORY	Set of clamp protection (20+20 pieces)
18	1975319	Complete set of labels EEWH307B	202	1970146	Clamp
19	1970731	Plastic insert of foot	203	ACCESSORY	Set of protection for clamp support (8 pieces)
20	1975515	Tyre lever protection	204	ACCESSORY	Set of spacer for Go-Kart wheels (4 pieces)
21	1975302	Left panel	205	1975248	Clamp support
22	1640050	Washer ø 5,5x15	206	1972420	Spheric positioner M 10x16
23	1506081	Screw M 5x8	207	1976575	Low nut M 10
24	1975307	Locking lever	208	1641100	Tooth washer ø 10
25A	1975304	Right panel (up to 09/02)	209	1530150	Screw M 12x60
25B	1975591	Right panel (from 10/02)	210	1975249	Screw M 8x40
26	1970778	Tyre paste container with cover	211	1975250	Peg
27	1975329	Pedal protection	212	1975251	Stroke end plate
28	1975330	Screw 5,5x12,7	213	1975252	Upper guide
29	1975276	Wheel support	214	1975253	Slide
30	1802227	Handle with screw	215	1975254	Guide
31	1975345	Plate	216	1975255	Turntable cap
101	1975303	Plate	217	1530210	Screw M 16x1,5x40
102	1555040	Nut M 4	218	1970526	Turntable washer
103	1976123	L-union 1/4" 8-6	219	1975256	Turntable
104	1975170	Screw M 4x45	220	1975257	Sliding guide with pin
105	1462250	Bayonet connection 1/4"	221	1657012	Seeger ring ø 12
106	1480306	Pneumatic hose *	222	1641130	Washer ø 12
107	1975244	Quick inflating valve	224	1977029	Spacer for control plate
108	1975144	Pneumatic assembly support	225	1975258	Nut M 12
109	1977142	Screw M 4x50	226	1657065	Circlip ø 65
110	1977016	Pressure gauge	227	1975259	Control plate
111	1977191	Union D8LR	228	1975260	Sliding guide
112	1975166	Quick union 1/4" 8-6	229	1975261	Bush
113	1975325	Complete service unit	230	1975079	L-quick union 1/8" 8-6
114	1977188	T-union 1/4"	231	1976546	Screw M 8x25
115	1977209	Water separator and pressure regulator	232	1976671	Rear flange for cylinder ø 63
116	1977210	Lubricator	233	1976667	Gasket 1,78x63
117	1977213	Lubricator tank	234	1975262	Casing cylinder ø 63

No.	Mat.no./Ref.	DESIGNATION	No.	Mat.no./Ref.	DESIGNATION
235	1977143	Low nut M 12	302A	1975267	Motorcycle shovel with knob (up to 09/01)
236	1976668	Piston ø 63	302B	1975344	Motorcycle shovel with knob (from 10/01)
237	1976666	Front flange for cylinder ø 63	303A	1975268	Tongue (up to 02/2001)
238	1975263	Piston rod	303B	1975333	Tongue L=165 mm (from 03/2001)
239	1976665	Guide for shaft ø 20x20	304A	1975269	Front flange cylinder ø 125 (up to 02/2001)
240	1977050	Lipped gasket	304B	1975334	Front flange cylinder ø 125 (from 03/2001)
241	1480306	Pneumatic hose *	305A	1975270	Spring (version produced up to 02/2001)
242	1480306	Pneumatic hose *	305B	1975335	Spring (version produced from 03/2001)
243	1975264	Set of gaskets for cylinder ø 63	306	1975271	Piston ø 125
244	1975265	Complete clamping cylinder	307	1972331	O-ring ø 113,7x5,34
245	1975266	Complete chuck	308	1977149	Washer ø 16
246	ACCESSORY	Set of clamps (8 pieces)	309	1977219	Nut M 16x1,5
247A	1975331	Special screw M 8x25 (up to 09/01)	310	1976126	Nut M 6
247B	1975346	Special screw M 8x40 (from 10/01)	311	1977148	Screw M 6x20
248	1975332	Clamp support	312A	1975272	Casing cylinder ø 125 (up to 02/2001)
249A	ACCESSORY	Set of protection(8 pieces) (up to 09/01)	312B	1975336	Casing cylinder ø 125 (from 03/2001)
249B	ACCESSORY	Set of protection(8 pieces) (from 10/01)	313	1480306	Pneumatic hose *
250	1975349	Clamp support	314A	1975273	Cylinder ø 125 (up to 09/01)
251	1975350	Pin guide	314B	1975347	Cylinder ø 125 (from 10/01)
252	1975351	Seeger ring ø 72	315A	1975274	Special screw M 16x1,5 (up to 05/02)
253	1975352	Complete control flange	315B	1975378	Screw M 16x110 (from 06/02)
254	1975353	Piston ø 70	316	1975593	Motorcycle shovel
255	1975354	Bush 20x23x20	317	1975592	Split pin ø 8x20
256	1975355	Shaft ø 20x435	318	1976927	Special screw M 10x240
257	1975356	Complete front flange ø 70	319	1975594	Front flange ø 125
258	1975357	O-ring 1,78x69,57	320	1975595	Front cylinder head ø 125
259	1975358	Spacer	321	1975596	Rear cylinder head ø 125
260	1975023	Washer ø 12,5x30x3	322	1975597	Piston ø 125
261	1976669	Nut M 12	323	1975598	Guide WR 125x5,6
262	1975359	Tie rod M 8x342	324	1975599	Casing ø 125
263	1975360	Casing ø 70x307	325	1975600	O-ring 2,62x120,32
264	1975361	Rear flange ø 70	326	1557101	Self-locking nut M 10
265	1975362	L-quick union 1/8" 8-6	327	1975601	Rear flange ø 125
266	1975363	Set of gaskets for cylinder ø 70	328	1975602	Complete cylinder ø 125x125
267	1975364	Complete cylinder ø 70x248	401	1524062	Screw M 8x30
268	1975365	Chuck	402	1707530	Knob
269	1975366	Slide guide with pin	403	1975275	Hexagonal arm for mounting head
270	1975367	Spacer ø 12,25x24x6	404	1975306	Vertical arm spring
271	1975368	Upper guide	405	1975284	Complete mounting column
272	1975369	Lower slide	406	1975277	Swinging arm
273	1975199	Nut M 8	407	1975278	Special screw M 16x1,5
274	1975607	O-ring 3,53x63,09	408	1977218	Washer ø 16,5x50x1,5
275	1975608	Casing ø 70	410	1975280	Mounting column
276	1975609	Rear flange	411	1975046	Mounting head shock absorber
277	1975610	Piston rod ø 20	415	1530118	Screw M 10x25
278	1975611	Gasket 20x26x3,6	418	1975228	Handle with screw
279	1975612	Front flange with gasket	419	1975308	Washer ø 10,5x33x5
280	1975613	Set of gaskets + piston ø 70	420	1975309	Spacer ø 36x28x8
281	1486075	Union 1/8" 8-6	421	1975310	Motorcycle wheels mounting head
282	1975614	Spacer ø 13x24x5	422	1975311	Pin
301	1811032	Knob	423	1975312	Screw M 10x16

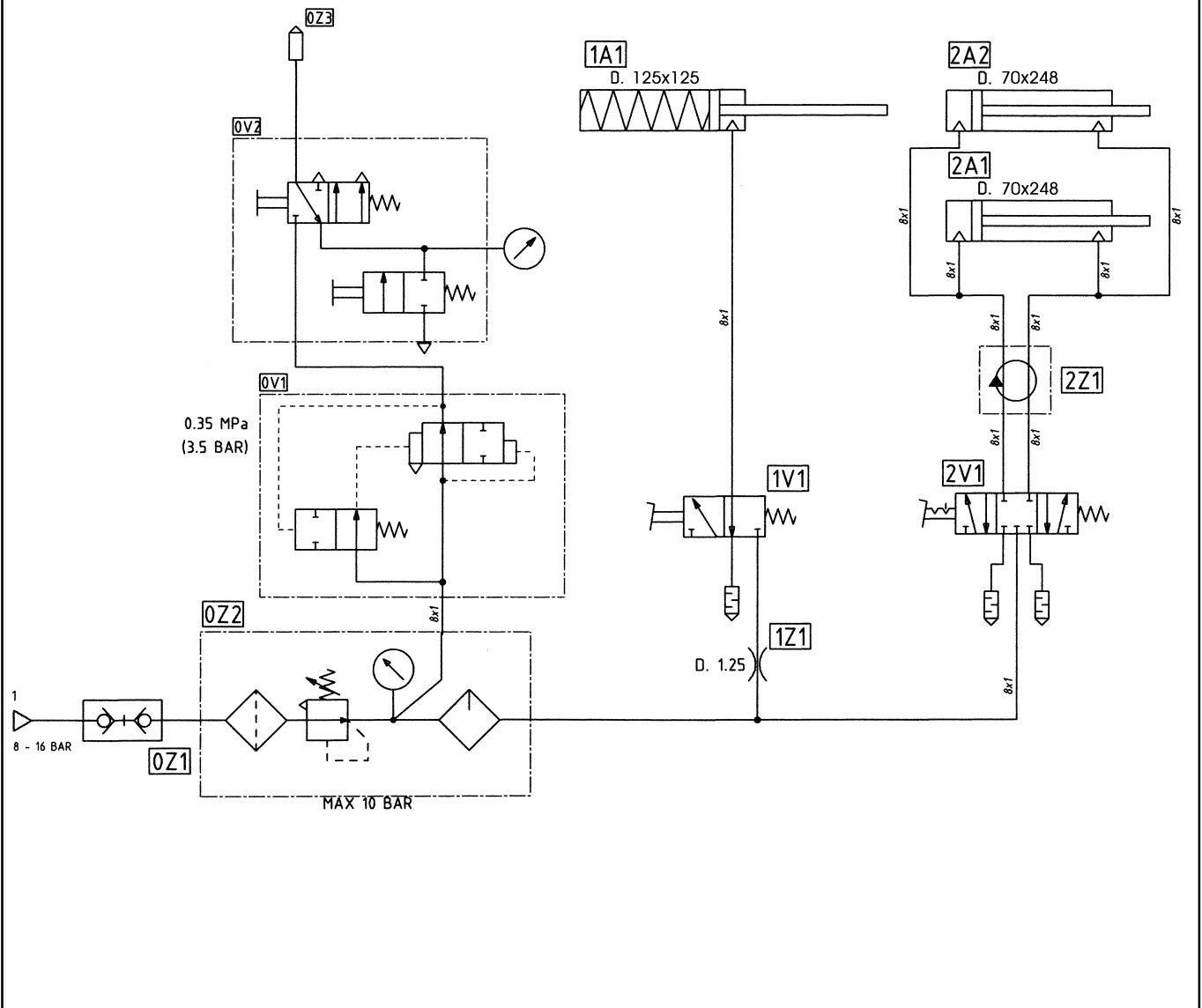
No.	Mat.no./Ref.	DESIGNATION	No.	Mat.no./Ref.	DESIGNATION
424	1975313	Screw M 10x10	621	1975322	1 PH motor 110V 60 Hz
425	ACCESSORY	Set of plastic insert for head	622	1555100	Nut M 10
426	1975340	Split pin ø 5x25	623	1975317	American plug 1-PH
427	1970055	Tapered roll	624	1975320	Reverse plate
428	1975341	Screw M 10x10	625	1530071	Screw M 6x10
429	1540080	Screw M 10x20 12K	626	1975323	1-PH motor schock absorber
430	1975342	Mounting head fixing washer	701	1480306	Pneumatic hose *
431	1975343	Mounting head fixing screw	702	1462250	Silencer 1/4"
432	1975339	Complete mounting head	703	1975294	Bead breaker valve
501	1976878	Y-union 1/8" ø 8	704	1975122	Screw M 6x8
502	1975180	Screw for rotating union	705	1975118	Rubber pedal
503	1970691	O-ring 65x60x2,6	706	1975295	Bead breaker pedal
504	1975285	Complete rotating union	707	1977237	Valve holder
505	1975286	Complete gearbox	708	1975211	Ring ø 8
506	1530123	Screw M 10x50	709	1975210	Pin
507	1976692	Washer ø 10x28x4	710	1555050	Nut M 5
508	1524043	Screw M 6x18	711	1975296	Complete bead breaker pedal
509	1977229	Upper gear box housing	712	1975297	Pedal for chuck rotation
510	1977090	Roller bearing 6010	713	1640060	Washer ø 6x18
511	1556104	Nut M 10	714	1681008	Cotter pin ø 2x20
512	1641100	Washer ø 10	715	1975324	Reverse connecting rod
513	1970095	Pulley at gear box side	716	1975102	Screw 2,9x6,5
514	1977103	O-ring 2035/10	717	1975073	Connecting rod guide
515	1977102	Ring 34,52x3,53	718	1970572	Trip cam
516	1977092	Roller bearing 30204	719	1970587	Fork leaf spring
517	1692506	Woodruff Key 6x9	720	1975072	Conncting rod
518	1977101	Worm screw	721	1970573	Cam connecting rod
519	1975052	Gear wheel	722	1647080	Washer ø 8
520	1977099	Pin ø 8x20	723	1557080	Nut M 8
521	1977098	Cap ø 35x8	724	1530134	Screw M 4x25
522	1977230	Lower gear box housing	725	1557041	Nut M 4
523	1555060	Nut M 6	726	1975071	Spring for pedals return
601	1970043	Cable holder	727	1977234	Pedal pin
602	1977247	Reverse protection	728	1977235	Pedal base
603	1524041	Screw M 6x12	729	1975068	Left pedal
604	1641060	Washer ø 6	730	1975101	Screw M 6x60
605	1970699	1-phase motor connecting cable 110V	731	1557061	Nut M 6
606	1970128	Reverse	732	1970125	Pedal spring
607	1970697	1 PH. lead-cable 110V	733	1975066	Support for reverse pedal
608	1975321	Reverse support	734	1975074	Valve for chuck
609	1530033	Screw M 4x16	735	1975077	T-quick union 1/8" ø 8
610	1506044	Screw M 3x6	736	1422003	Silencer 1/8"
611	1532253	Screw 3,5x12,7	737	1975076	Quick union 1/8" 8-6
612	1506063	Screw M 4x10	738	1975326	Complete pedals
613	1644004	Tooth washer ø 4	801	1480841	Inflating valve
614	1975287	Motor mounting plate	802	1423153	Inflating hose assy
616	1970093	V-belt A-23	803	1977249	Air inlet hose with unions
617	1970539	Motor pulley	804	1977250	Air inlet hose with unions
618	1970540	Screw M 8x14	805	1970099	Inflating hose assy
619	1530076	Screw M 6x25	806	1524104	Screw M 12x40
620	1970566	Reverse lever	807	1975299	Mounting head holder

No.	Mat.no./Ref.	DESIGNATION	No.	Mat.no./Ref.	DESIGNATION
808	1975300	Screw M 10x30			
809	1970773	Claw for motorcycle			
810	1975301	Complete mounting head			

## ELECTRIC DIAGRAM (115 VOLT VERSION)



# PNEUMATIC DIAGRAM



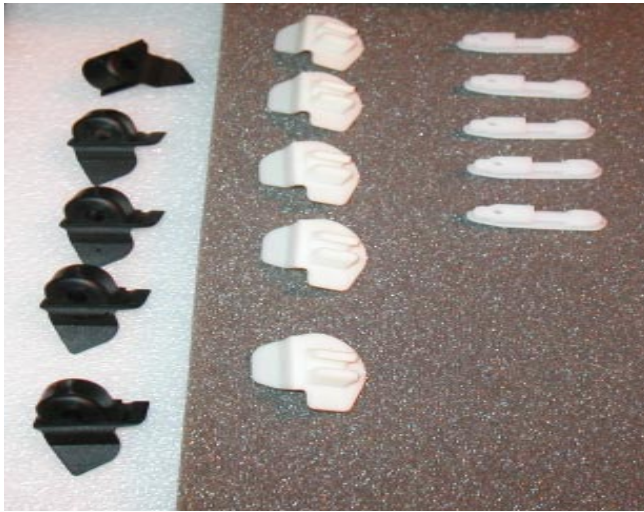
<b>OV1</b>	Rapid inflation valve
<b>OV2</b>	Tire inflating gun
<b>OZ1</b>	Male rapid clutch
<b>OZ2</b>	Water separator and pressure regulator + lubricator
<b>OZ3</b>	Inflation head
<b>1A1</b>	Bead breaking cylinder
<b>1V1</b>	Bead breaking valve
<b>1Z1</b>	Fix choke
<b>2A1</b>	Self-centering cylinder
<b>2A2</b>	Self-centering cylinder
<b>2V1</b>	Self-centering valve
<b>2Z1</b>	Rotary union assembly



Snap-on Diagnostic - 309 Exchange Avenue - Conway, Arkansas - USA

"FOR REFERENCE ONLY"





**ST4025360 / EAA0304G54A Set of 5 + 5 + 5 plastic protection for mount/demount tool For EEWH307A or B Models**



**ST4025361 / EAA0304G55A Set of 20 + 20 plastic protection for jaws For EEWH307A EEWH307B**



**ST4025362 / EAA0304G56A Set of 8 Pieces Plastic Protection for Jaws Support**



**ST4027880 / EAA0304G58A Set of 8 jaws metal made, plastic covered For Late EEWH307A and EEWH307B**



**ST4025359 / EAA0304G53A Set of 4 go-kart adapter**



**ST4026182 / EAA0304G57A Go kart mount/demount tool Dedicated m/d tool for Kart wheel or small diameters.**