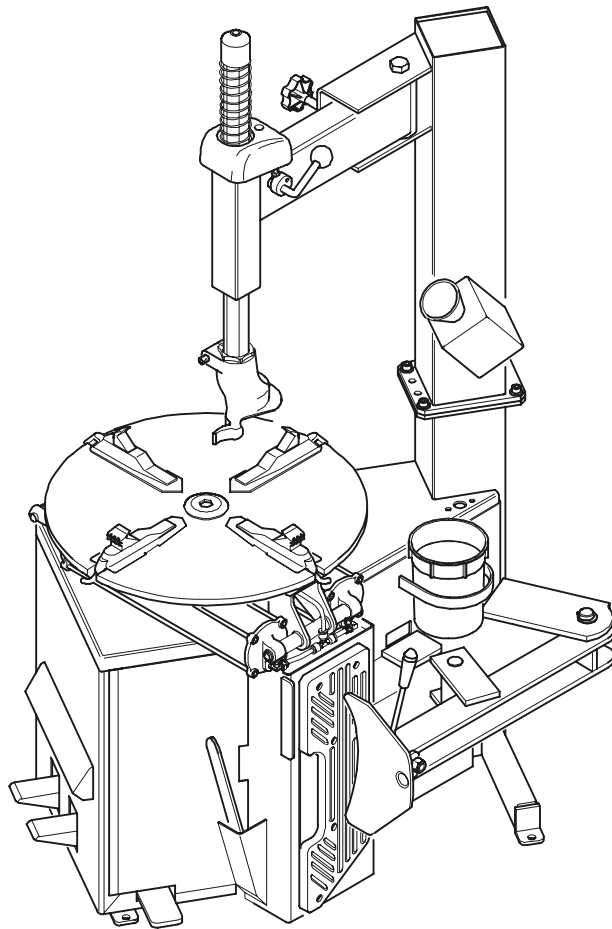


EEWH310A

Air/Electric Tire Changers

---

## Spare Parts List



**Snap-on**

® P/N: TEEWH310A3

---

(BLANK PAGE)

---

# EEWH310A

Air/Electric Tire Changers

## Spare parts list

### COPYRIGHT NOTICE

The information contained in this document is property of Snap-on Incorporated. It, or any of the information contained within, shall not be used, copied, or reproduced without express written consent of Snap-on

### TRADEMARK NOTICE

 and Snap-on Incorporated are registered trademarks

151-e-September-05



- **On order specify:** type of machine and serial number item code and quantity.
- **A la commande:** bien préciser le type de la machine, le n° de serie, la référence de pièce, la quantité.
- **All'ordine specificare:** tipo macchina e matricola, codice e quantità del particolare.
- **En cada pedido hay que especificar:** el tipo de máquina y su número de matrícula, el número de código de la pieza requerida y su cantidad.
- **Na encomenda especifique:** tipo da máquina e número de série, código do item e quantidade.
- **Bei Auftragserteilung anzugeben:** Maschinentype, Serinnummer, Artikel-Code, Menge.
- **Specificeer op een order:** machine type en serienummer, artikelnummer en aantal.
- **Vid order specificisera:** Maskin typ och serie nr reservdels nr ochantal.

Note: BOLD TYPE CODES ON EACH TABLE MEANS SUGGESTED SPARE PARTS - Ex. **ST0011111**



151-e-September-05

**THIS PART IS FOR EXCLUSIVE USE OF QUALIFIED PERSONNEL FOR MAINTENANCE AND SERVICE PURPOSES.**

**CETTE PARTIE EST RESERVEE AU PERSONNEL QUALIFIE ET AUTORISE A LA MAINTENANCE ET AU SERVICE APRES-VENTE.**

**QUESTA PARTE É AD USO ESCLUSIVO DEL PERSONALE QUALIFICATO ED AUTORIZZATO ALLA MANUTENZIONE ED ASSISTENZA.**

**ESTA PARTE ES PARA USO EXCLUSIVO DEL PERSONAL CALIFICADO Y AUTORIZADO PARA EL MANTENIMIENTO Y LA ASISTENCIA.**

**ESTA PARTE ES PARA USO EXCLUSIVO POR PESSOAL ESPECIALIZADO ED AUTORIZADO A LA MANUTENÇÃO**

**DIESER ABSCHNITT IST AUSSCHLIESSLICH DEM WARTUNGSFACH-UND KUNDENDIENSTPERSONAL VORBEHALTEN**

**DENNE DEL ER BEREGNET TIL BRUK FOR KVALIFISERT PERSONALE FOR VEDLIKEHOLD OG SERVICE**

**DENNA DEL ÄREN BART TILL FÖR UTBILDAD PERSONAL VID UNDERHÅLLS- OCH SERVICEARBETEN**

**TÄMÄ OSA ON TARKOITETTU AINOASTAAN VALTUUTETUN HUOLTOHENKILÖSTÖN KÄYTTÖÖN HUOLTOTARKOITUKSIIN**

**DIT GEDEELTE IS ALLEEN BESTEMD VOOR BEVOEGDE PERSONEN VOOR ONDERHOUD EN SERVICE DOELEINDEN**

**DENNE DEL ER KUN BEREGNET TIL BRUG FOR FAGLÆRTE OG FOLK SOM ER KVALIFICERET OG AUTORISERET TIL VEDLIGEHODELSE OG SERVICE**

**AYTO TO MEPOS EINAI GIA THN AΠΟΚΛΕΙΣΤΙΚΗ ΧΡΗΣΗ ΕΚ ΜΕΡΟΥΣ ΕΞΟΥΣΙΟΛΟΓΗΜΕΝΟΥ ΙΚΑΝΟΥ ΠΡΟΣΩΠΙΚΟΥ ΓΙΑ ΕΡΓΑΣΙΕΣ ΣΥΝΤΗΡΗΣΗΣ ΚΑΙ ΕΠΙΣΚΕΥΗΣ**

U P D A T I N G      G U I D E	
MODIFIED / CHANGED TABLES Regarding Revision B of August 2004 List of replaced tables from this revision:	
<del>1063</del> 1063a	<del>883</del> 883a

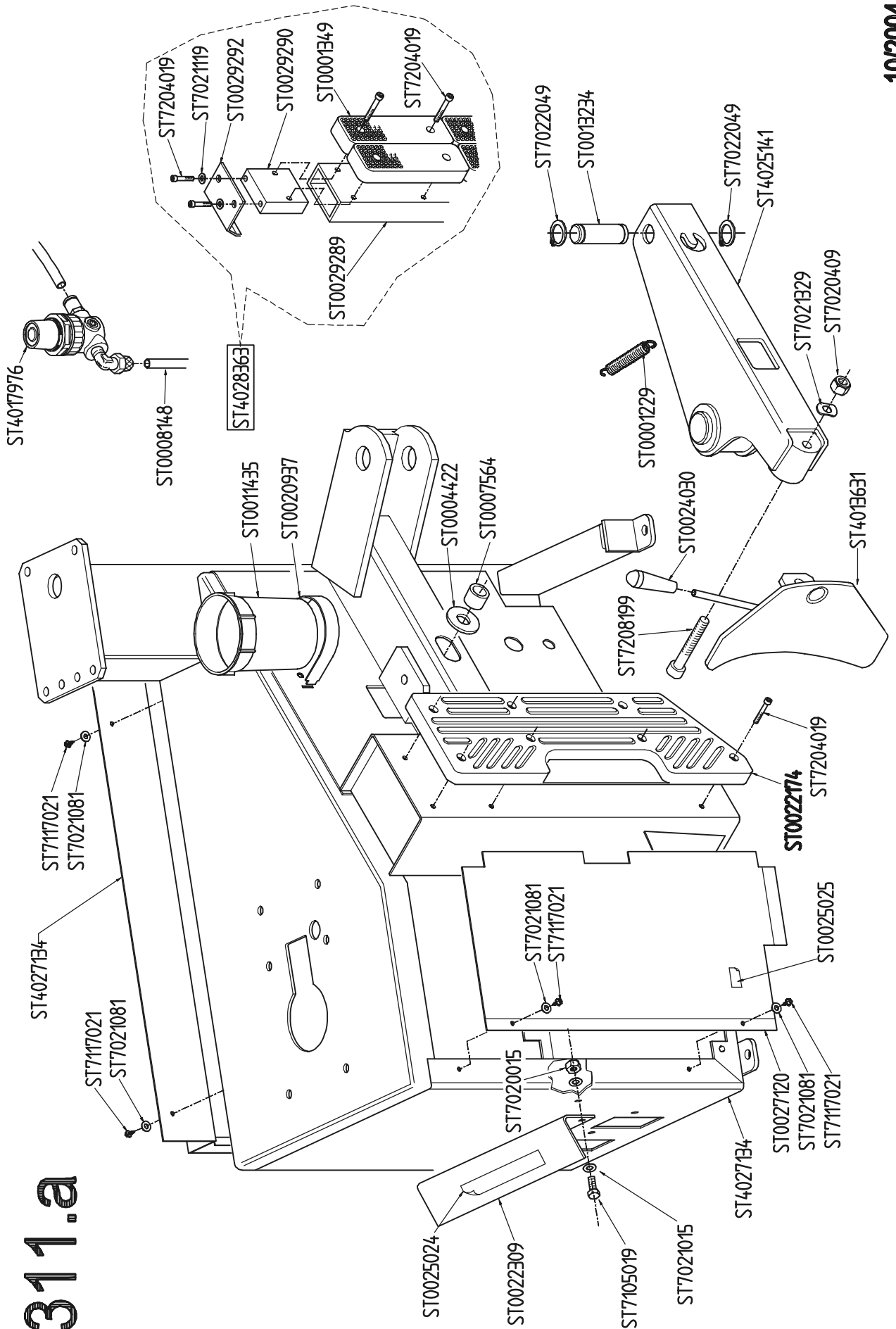
U P D A T I N G      G U I D E		
MODIFIED / CHANGED TABLES Regarding Revision C of December 2004 List of replaced tables from this revision:		
<del>1311</del> 1311.a	<del>1306.a</del> 1306.b	<del>591</del> 591.a

U P D A T I N G      G U I D E	
MODIFIED / CHANGED TABLES Regarding Revision D of March 2005 List of replaced tables from this revision:	
<del>1306.b</del> 1306.c	<del>591.a</del> 591.b

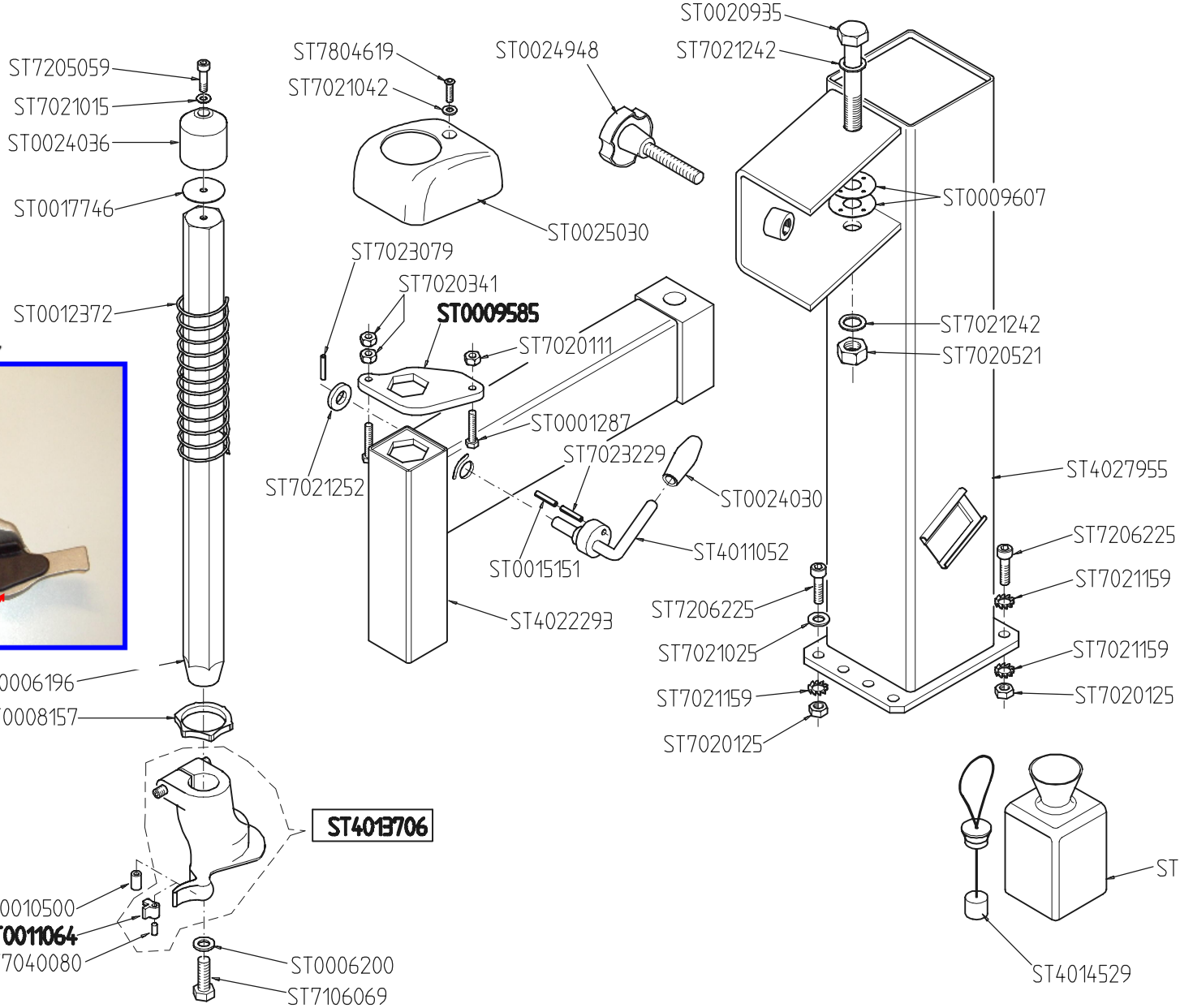
U P D A T I N G      G U I D E	
MODIFIED / CHANGED TABLES Regarding <b>Revision E</b> of September 2005 List of replaced tables from this revision:	
<del>824.a</del> 1507	<del>642</del> 1509

151-e-September-05

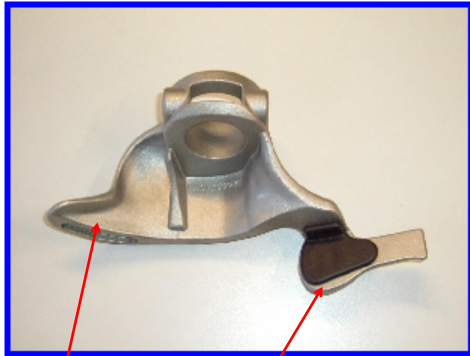
# 1311.a



# 1305



New tool # 4029337



Plastic insert  
ST0030580

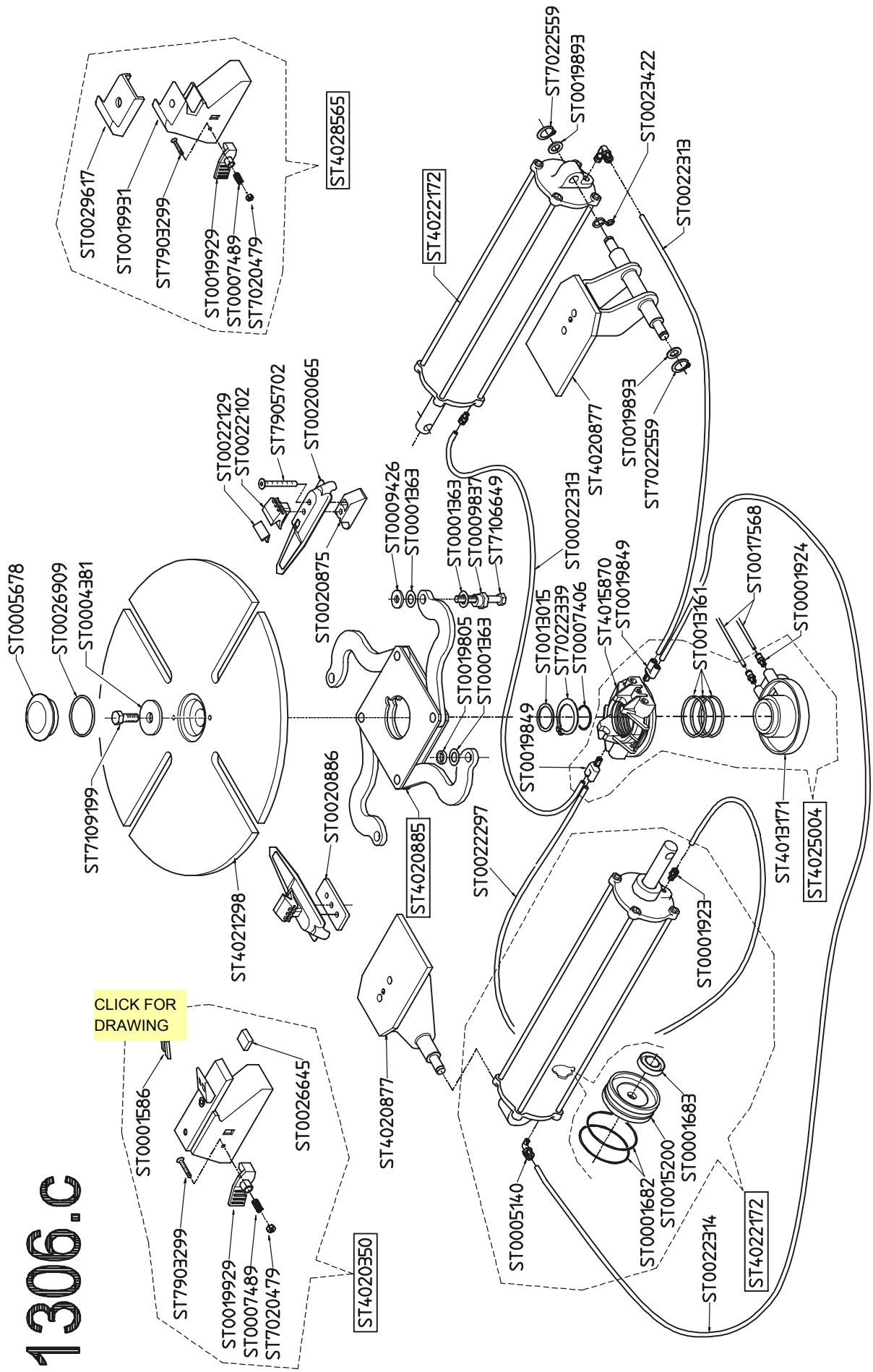
Plastic insert  
ST0030267  
Pin  
ST0030650

Note: BOLD TYPE CODES MEANS SUGGESTED SPARE PARTS



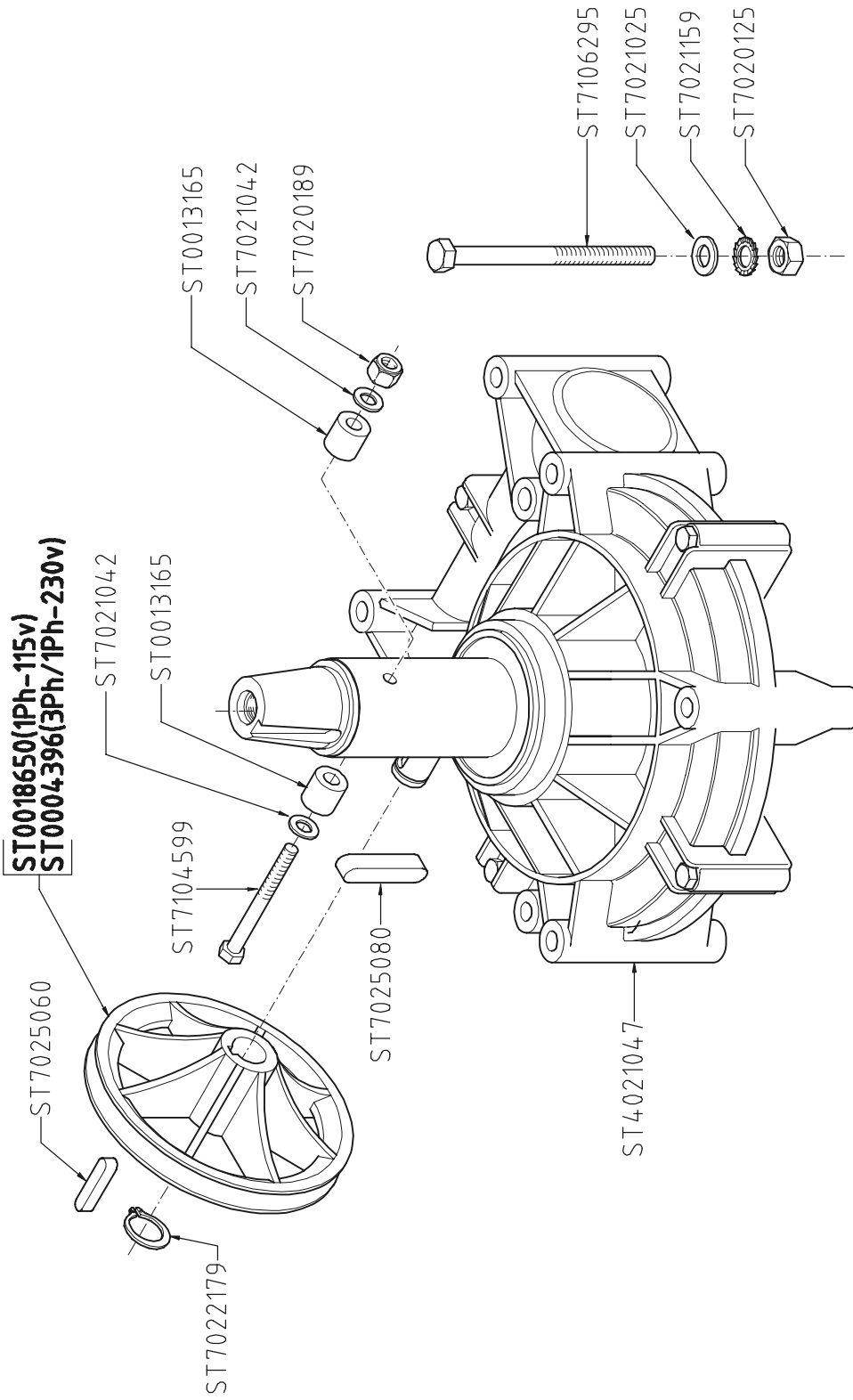
151-e-September-05

# 1306.c



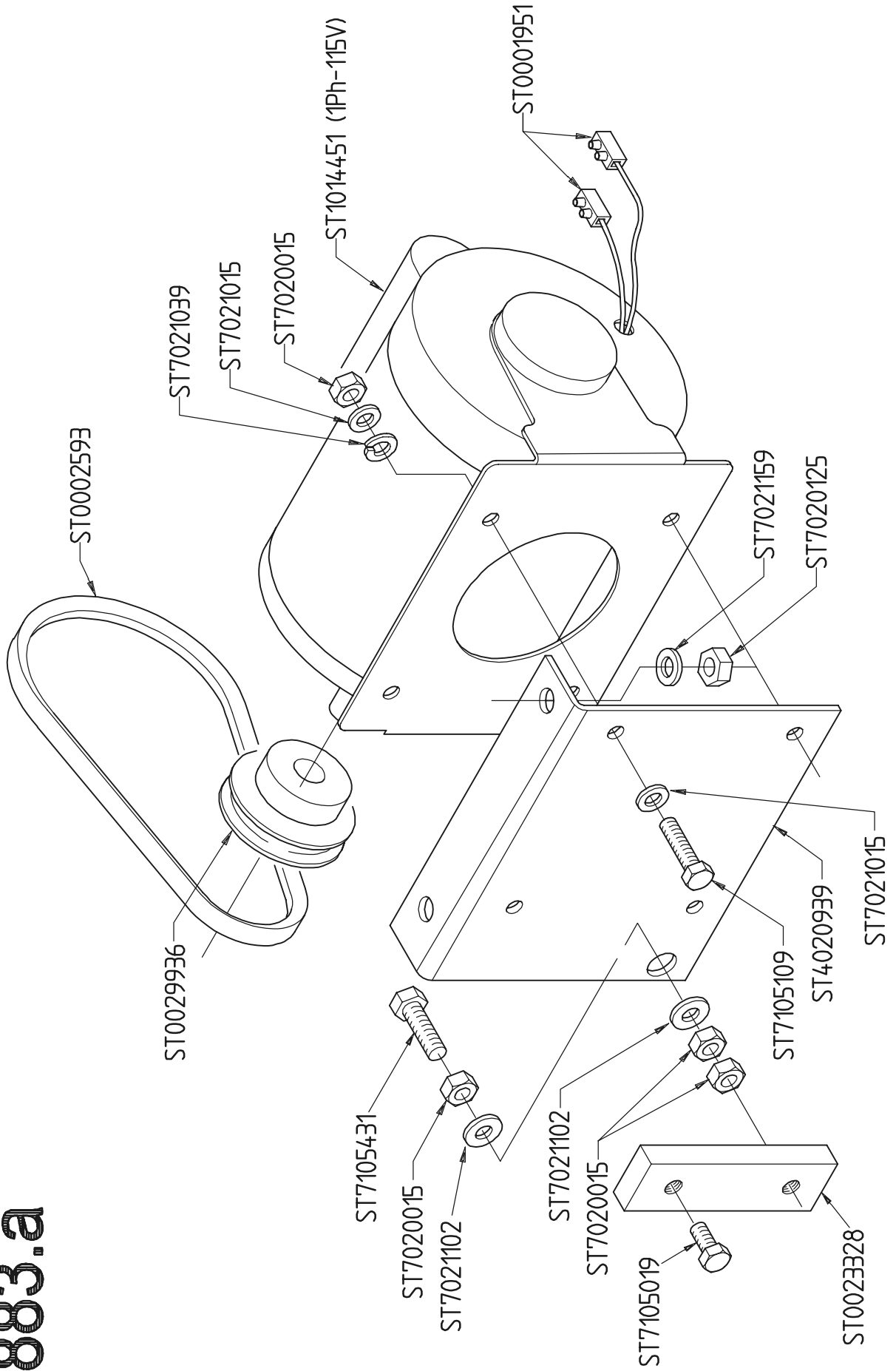
CLICK FOR DRAWING

944

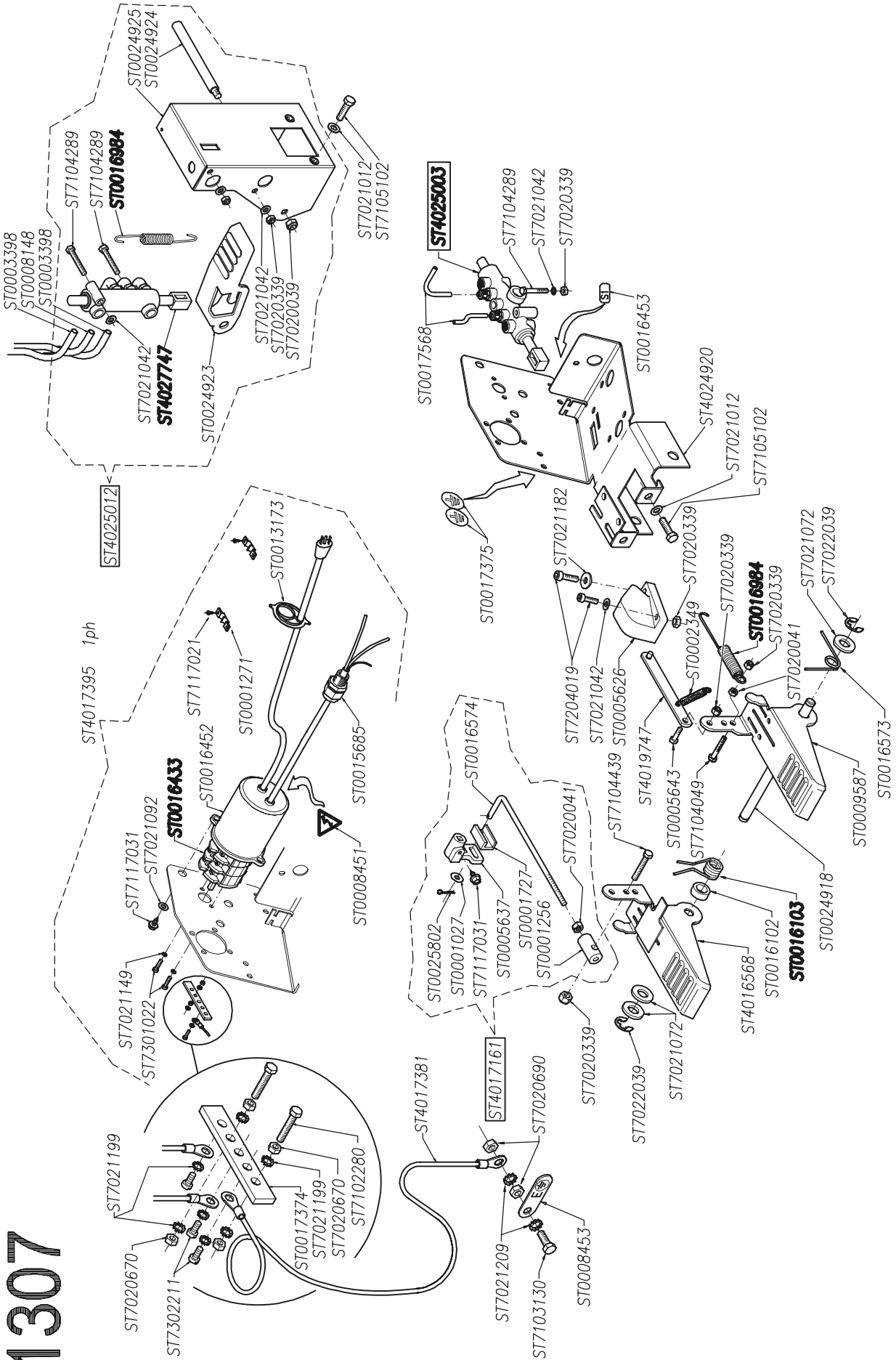


151-e-September-05

# 883.a



# 1307

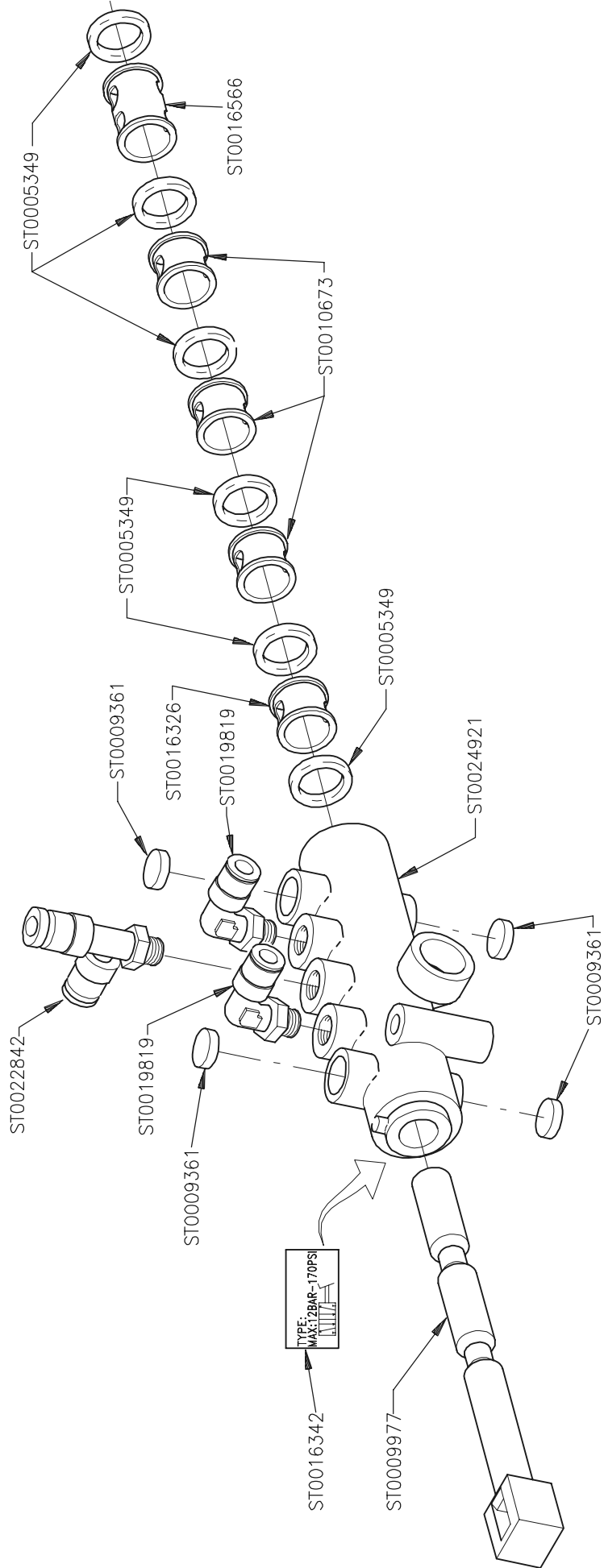


# ST4025003

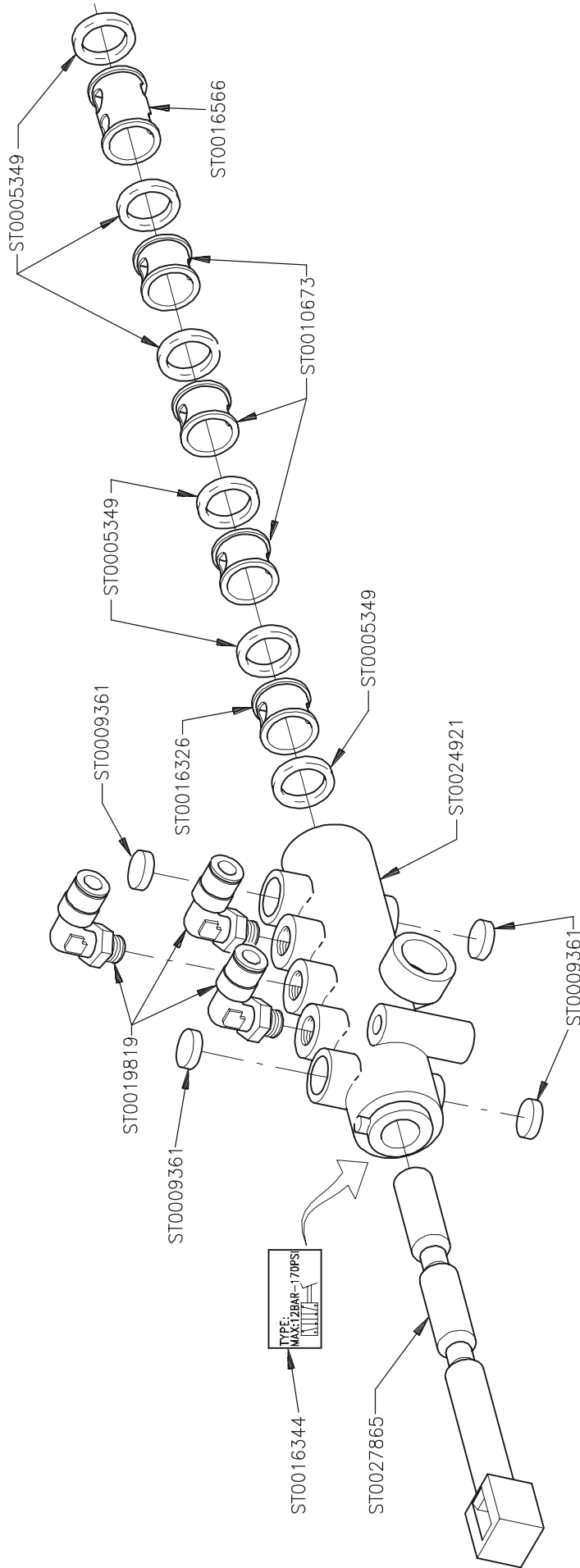
09/2003

151-e-September-05

# 1308



1309

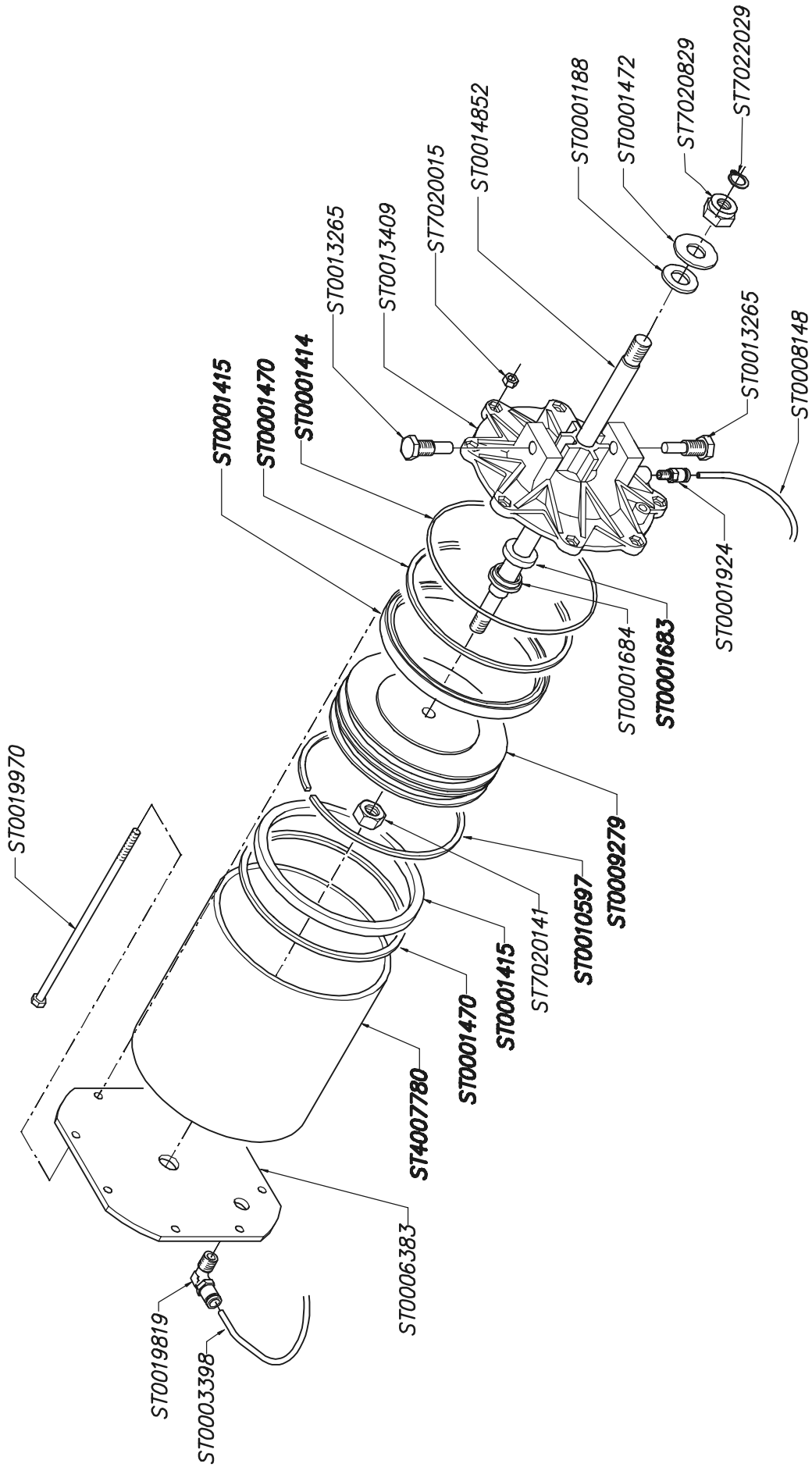


**ST4027747**

09/2003

151-e-September-05

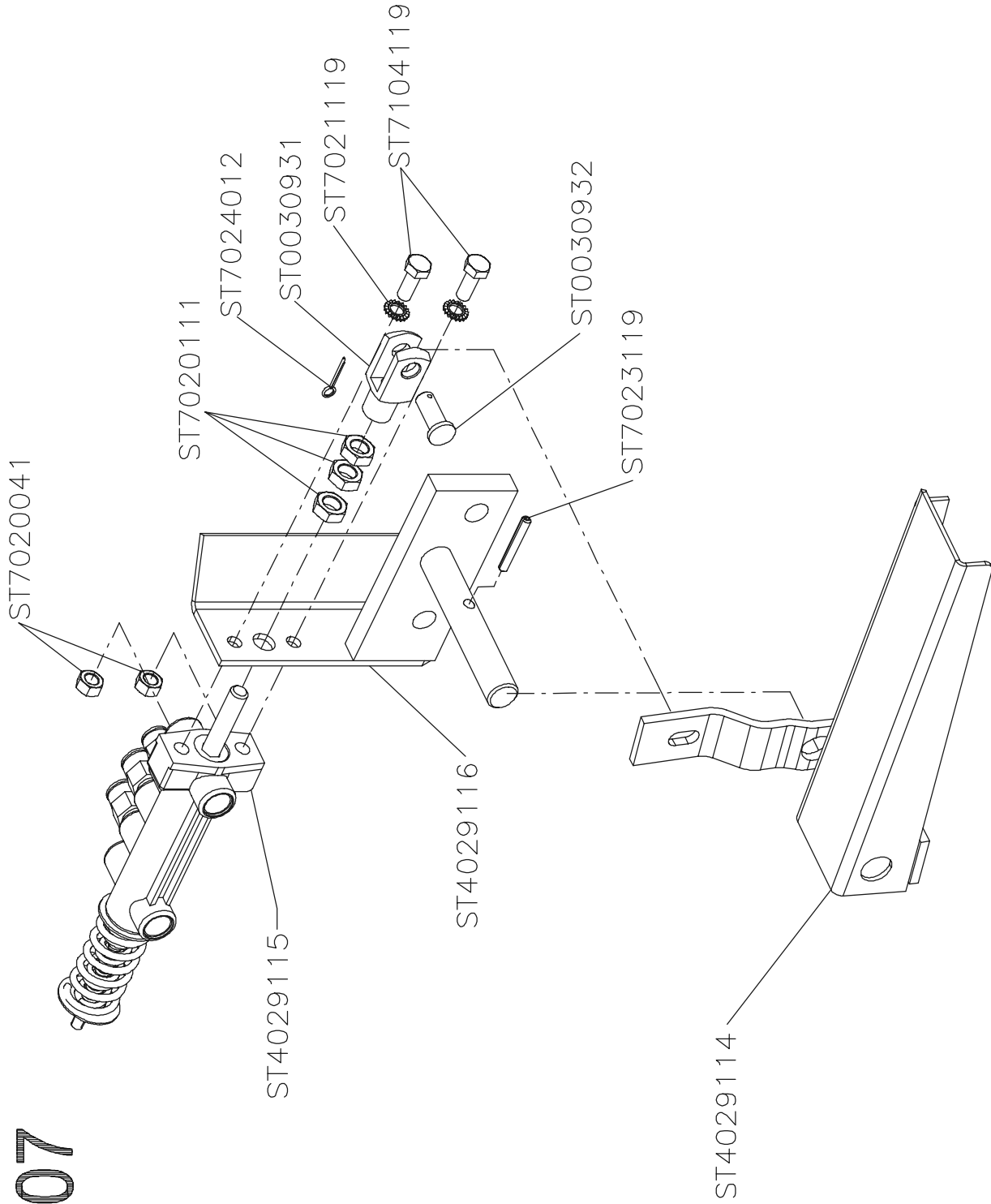
# 591.b



# ST4014897

01/2005

1507



**ST4029117**

04/2005

151-e-September-05

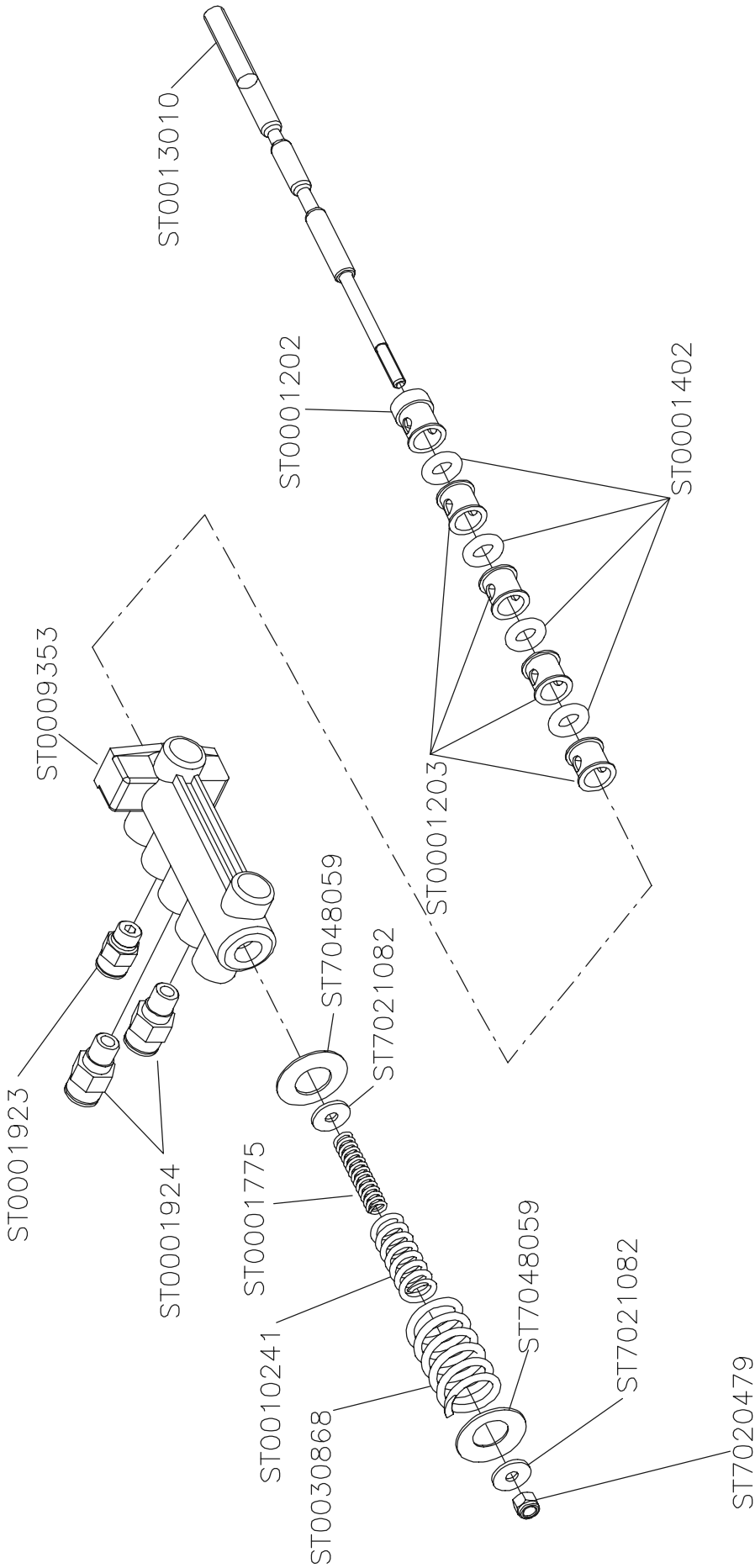


# ST4029115

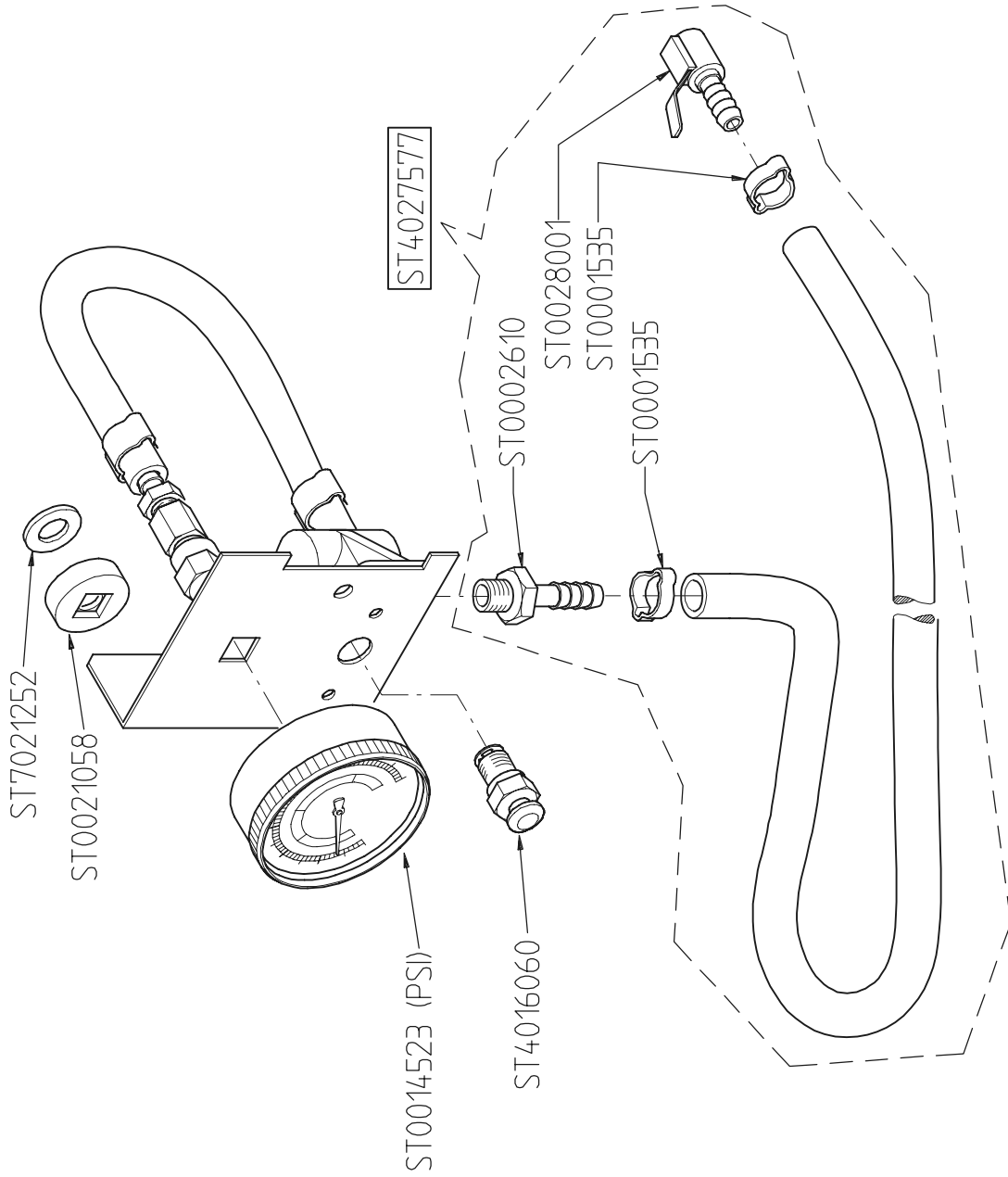
04/2005

151-e-September-05

# 1509



1310



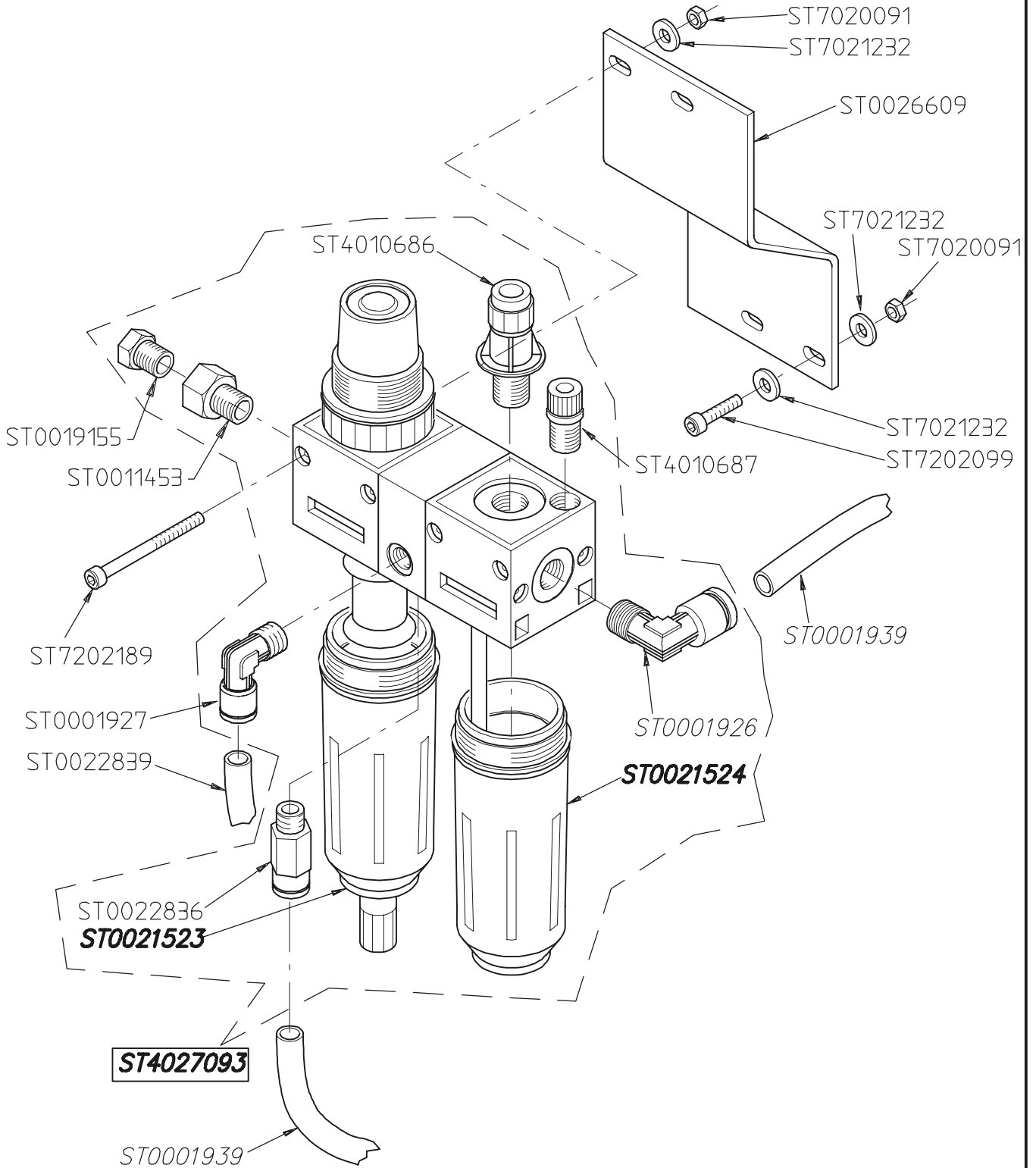
**ST4027576**

**09/2003**

151-e-September-05

# 1152.a

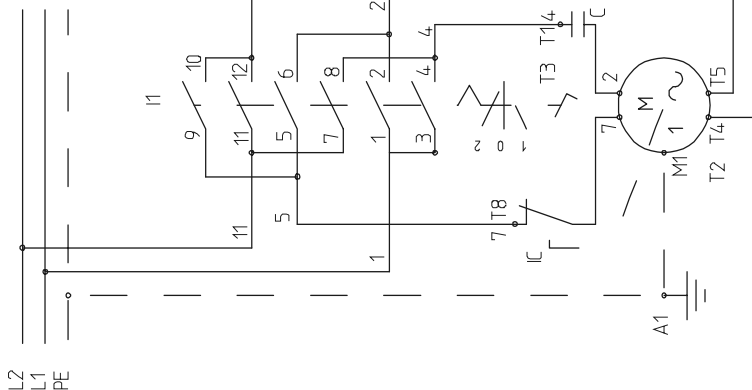
151-ec-September-05



(BLANK PAGE)

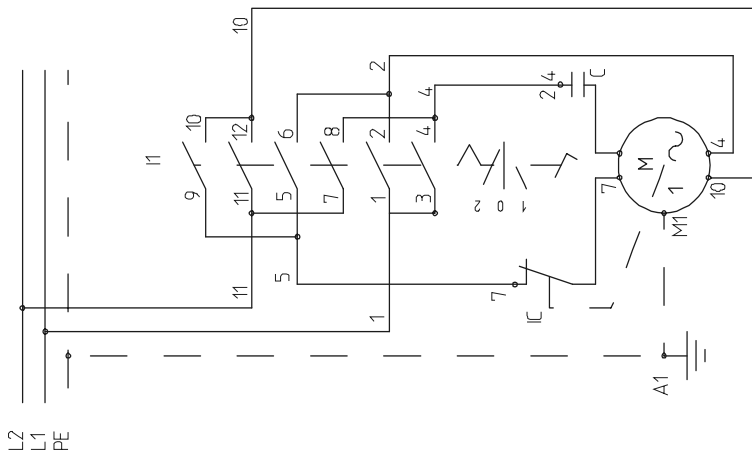
151-e-September-05

3	9-10				
2	11-12				
1	5-6				
	7-8				
	1-2				
	3-4				
				1	0
					2



SCHEMA COLLEGAMENTO INVERTITORE  
 SCHEMA DE CONNECTION DE L'INVERSEUR  
 INVERTER CONNECTION DIAGRAM  
 WENDEGE TREBE ANSCHLUSSPLAN

MOTORE LEESON  
 MOTEUR LEESON  
 MOTOR LEESON  
 MOTOR LEESON



MOTORE AO SMITH  
 MOTEUR AO SMITH  
 MOTOR AO SMITH  
 MOTOR AO SMITH

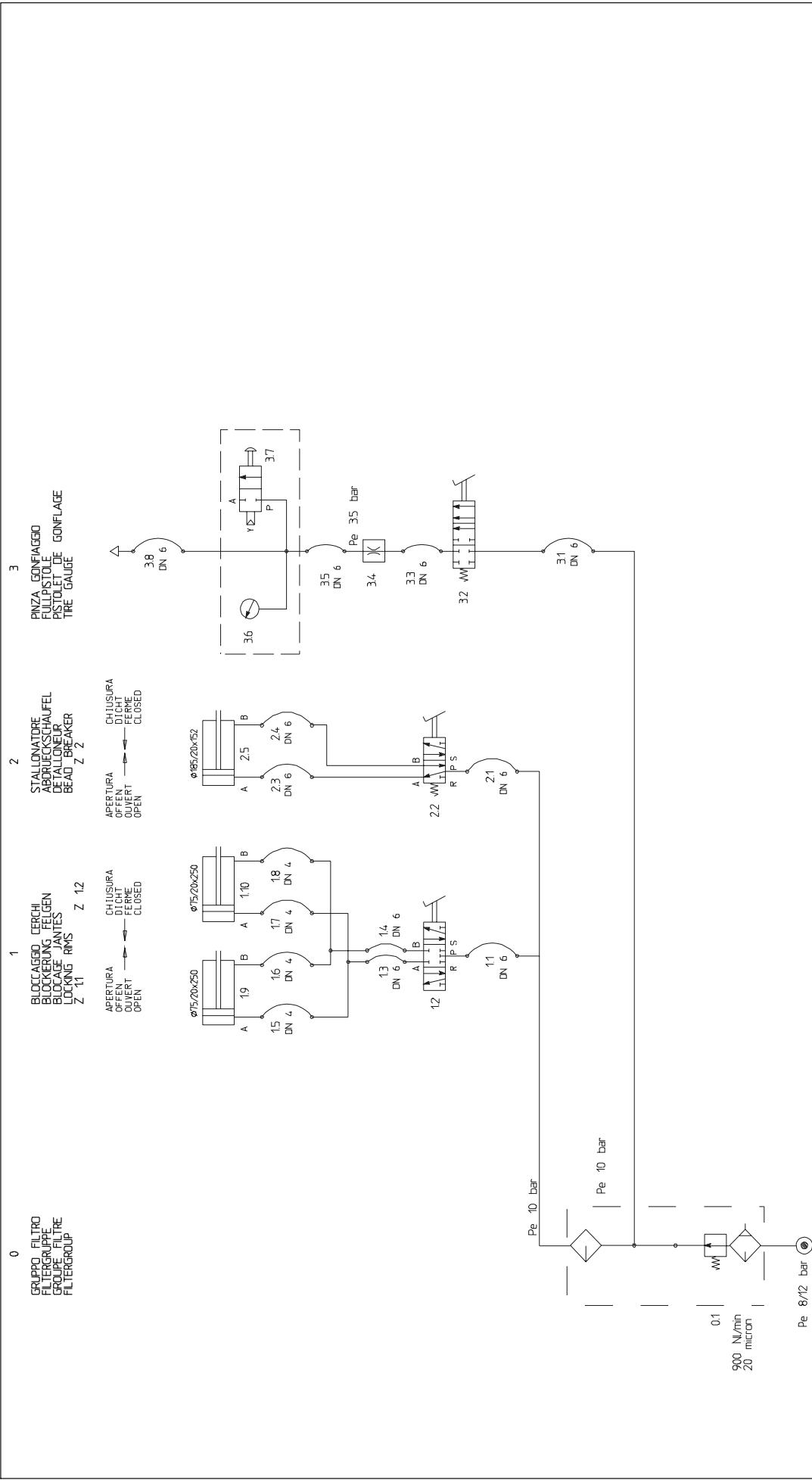
MODIFICA: 1 AGGIORNATO SCHEMA / 13-05-99 / FL  
 21 AGGIUNTO SCHEMA PER MOTORE LEESON / 2001-03-12 / PRATZOLI

MATERIALE	STATO MATERIALE	DIMENSIONI	TRATTAMENTI	HRC
TOLLERANZE QUOTE LIBERE JS 14 - JS 14	SMUSSI E RAGGI QUOTATI: 0.5 mm	DISEGNATORE DATA FUSARI 1999-05-13	SOSTITUISCE IL N. DEL 02-11-92	HB
ORIGINE:	VISTO DIR. TECNICO:	SCALA	SOSTITUITO DAL N.	Sh
 srl. unipersonale	FAMIGLIA 824	DESCRIPTION	COD. SNAP-ON	REV:
	PROGETTO 3400	DENOMINAZIONE	DS. N.	
		SCHEMA ELETTRICO MOTORE MONDIFASE AMERICANO	0014449	0014449

T ALLACCIAMENTO MORSETTIERA MOTORE  
 T CONNECTION DES ETALUX DU MOTEUR  
 T MOTOR TERMINAL BOARD CONNECTION  
 T MOTOR - KLEMMEBRETT ANSCHLUSS  
 C CONDENSATORE CONDENSATEUR  
 IC INT. CENTRIFUGO INT. CENTRIFUGE  
 I1 INVERTITORE INVERSEUR  
 M1 MOTORE MOTEUR  
 A1 CARCASSA CHASSIS

CAPACITOR  
 SPINNING SWITCH  
 REVERSING SWITCH  
 MOTOR  
 FRAME

KONDENSATOR  
 SCHLEUDERSCHALTER  
 WENDESCHALTER  
 MOTOR  
 GEHAUSE



GRUPPO BLATT PAGE		N. PAGINE V. BLATT PAGES Nr. OF PAGES	
1		2	
CLIENTE BESTELLER CUSTOMER		FIRMA GEZ. SIGNATURE	
ZANINI A		ZANINI A	
DATA DATUM DATE		DATA DATUM DATE	
2002-11-06		2002-11-06	
COSTRUITO IN FABRIKAT IN MADE IN		COSTRUITO IN FABRIKAT IN MADE IN	
ITALY		ITALY	
TIPO MODEL		TIPO MODEL	
1520 M		1520 M	
CODICE MACCHINA INVENTAR N. MACHINE REF. CODE MACHINE		CODICE MACCHINA INVENTAR N. MACHINE REF. CODE MACHINE	
VISTO GEPRUFT CONTROLÉ TESTED		VISTO GEPRUFT CONTROLÉ TESTED	
PAR BY		PAR BY	
SCHEMA PNEUMATICO MONTY 1520 M SCHEMA PNEUMATISCHEN MONTY 1520 M SCHEMA MONTY 1520 M PNEUMATIC SCHEME MONTY 1520 M		SCHEMA PNEUMATICO MONTY 1520 M SCHEMA PNEUMATISCHEN MONTY 1520 M SCHEMA MONTY 1520 M PNEUMATIC SCHEME MONTY 1520 M	
MODIFICA AENDERUNG MODIFICATION CHANGE		MODIFICA AENDERUNG MODIFICATION CHANGE	
NOME NAME		NOME NAME	
DATA DATUM DATE		DATA DATUM DATE	
824		824	
CODICE N. CODE Nr.		CODICE N. CODE Nr.	
0027957		0027957	






Snap-on Incorporated  
2801 80th Street  
Kenosha, WI 53141 - 1410

For Service Call:  
1-800-225-5786

**Notice:** The information contained in this document is subject to change without notice. Snap-on Incorporated makes no warranty with regard to this material. Snap-on Incorporated shall not be liable for errors contained herein or for incidental consequential damages in connection with furnishings, performance, or use of this material.

This document contains proprietary information which is protected by copyright and patents. All rights are reserved. No part of this document may be photocopied, reproduced, or translated without prior written consent of Snap-on Incorporated.

 is a registered trademark of Snap-on Incorporated

P/N: TEEWH310A3 ...Rel.E ...Sept. 05 ...copyright2005 Printed in the USA