



EEWH311C
SNAP-ON TILT BACK
AIR AND ELECTRIC
TIRE CHANGER

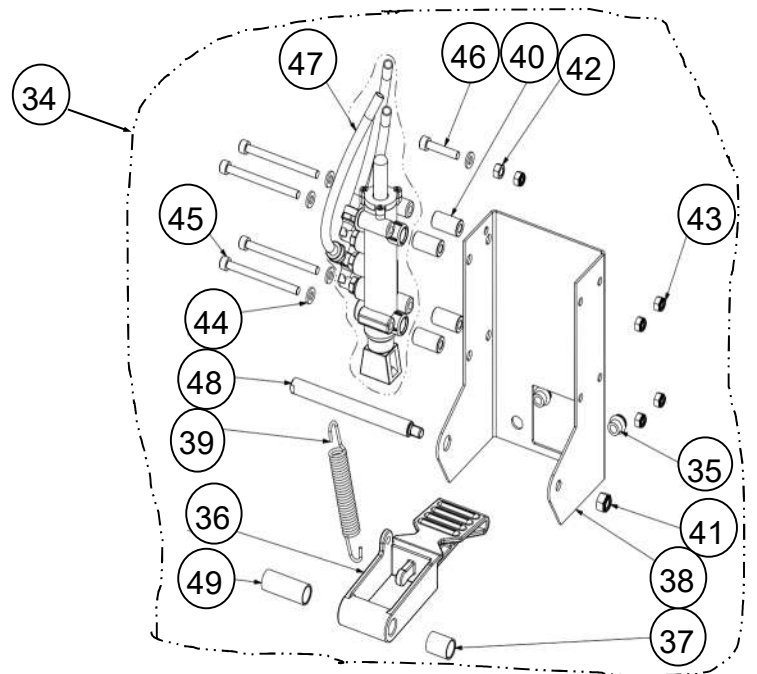
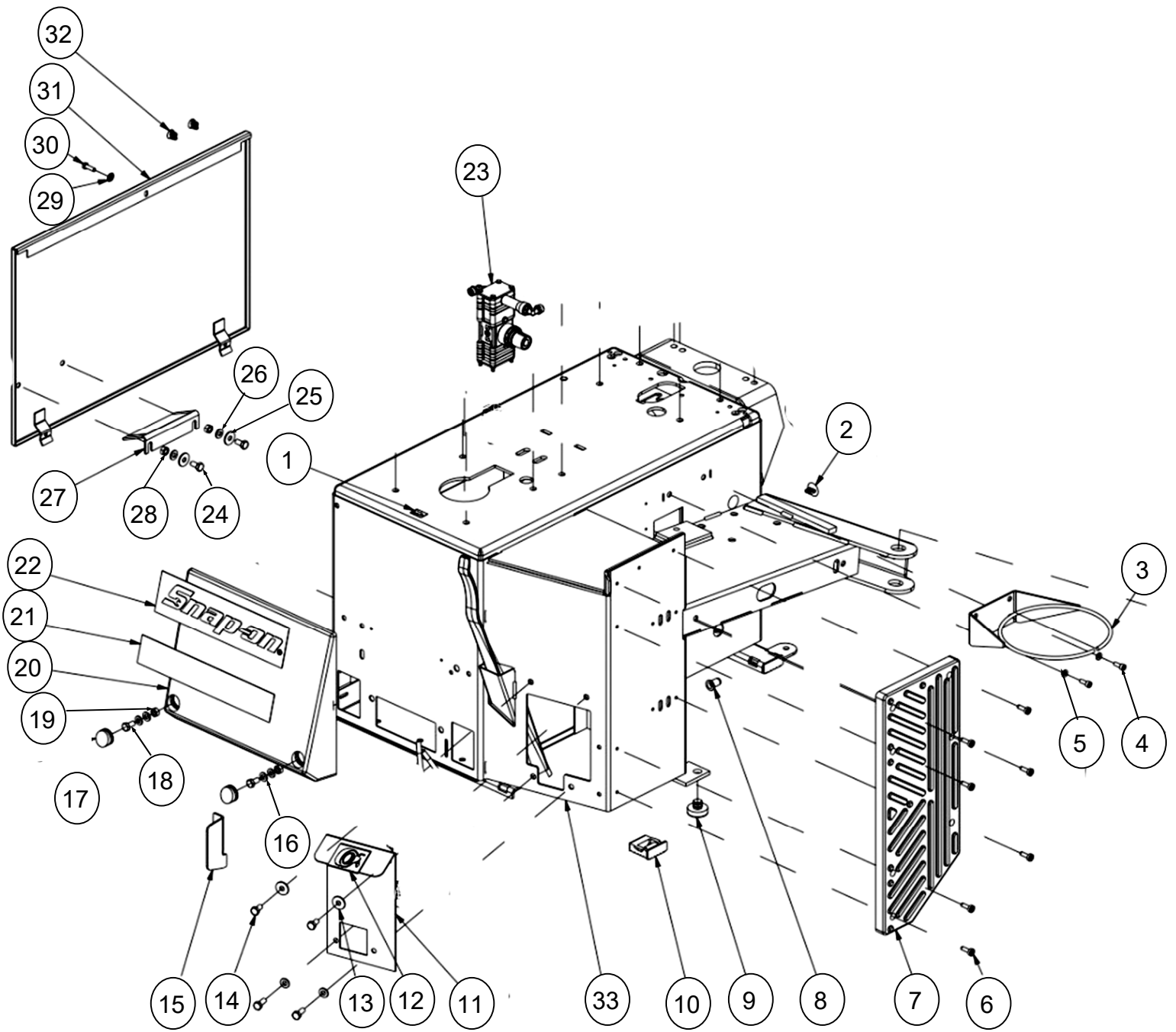


PARTS MANUAL

Table of Contents

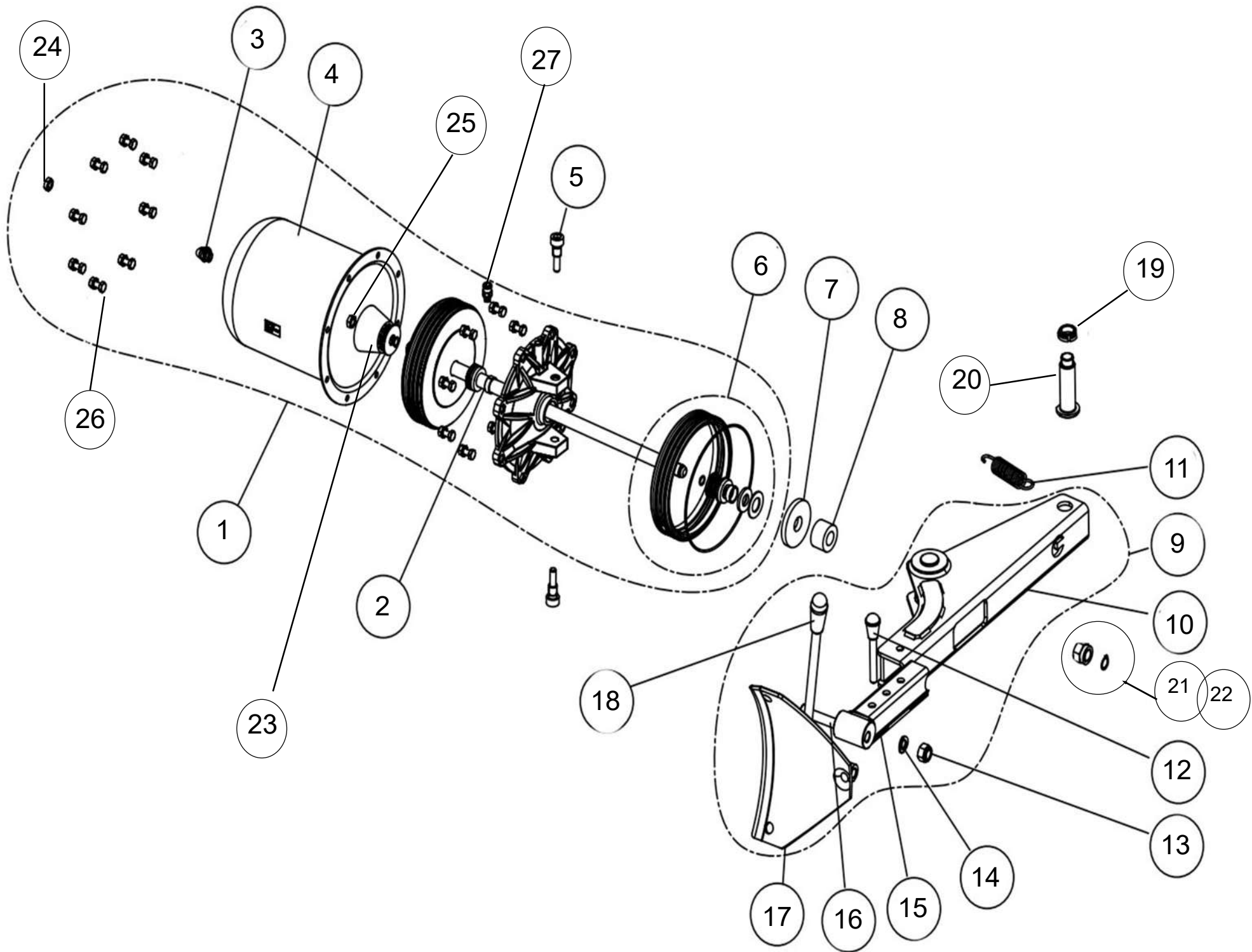
Build of Material.....	Page 3
Cabinet Assembly.....	Page 4
Bead breaker Cylinder Aessmbly.....	Page 7
Tower Assembly upper.....	Page 9
Tower Assembly lower.....	Page 3
Turntable Assembly.....	Page 15
Motor Transmission Assemblies.....	Page 20
Foot Pedal Assembly.....	Page 22
Switch Assembly.....	Page 28
Inflation Tank Assemly.....	Page 29
Lube/filter Bead inflater.....	Page 33
Tool tray Assembly.....	Page 36

PART NUMBER	DESCRIPTION
5-14126A	BRUSH TIRE LUBE APPLICATOR
8-03229A	LUBRICANT-TIRE MOUNTING 75N
EAC0097G47A	WAVE TIRE MOUNTING LEVER
EAA0329G34B	MH320 BEAD ASSIST 6027703
EAA0410G56C	STORAGE BOX WITH SUPPORT
EAA0349G76A	RING-BOX GREASE 4025460
EAC0078G13A	BACK PLSTC RIM PROTECTOR-30580
EAK0329G86A	LGHTALLOY RIM PROTE FRONT ONLY
EAL0408G25A	LABEL PRESSURE MIN MAX 16352
EAL0408G18A	STICKER-MAX PRESSURE (B) 17018
EAL0408G43A	LABEL DANGER (B) 17691
EAL0413G17A	LABEL DANGER 17692
EAL0408G44A	LABEL DANGER (B)
EAL0408G42A	LABEL DANGER 17694
EAL0413G36A	LABEL WARNING 29380
EAL0408G78A	LABLE PROTECTIVE DEVICE
EAL0352J12A	LABEL-SNAP-ON S WHITE
EAL0467G92A	DECAL TC LEVER WARNING
EAL02476G31A	LABEL AIR TUBING LINE
EAL0352J21A	DECAL ADD OIL
EAL0408G18A	STICKER-MAX PRESSURE (B) 17018
EAL0352J15A	LABEL-SNAP-ON, WHITE - 11 IN
EAL0343J76B	SERIAL LABEL DOCUMENT
EAL0413G31A	LABEL GROUND 8453
EAL0408G24A	LABEL OIL (10724)
EAL0408G45A	LABEL ROTATION DIRECTION 22187
EAL0408G21A	LABEL DRAIN (22188)
EAL0413G34A	LABEL INFLATOR 22669
EAL0383G36A	LABEL 17273
24229	LABEL-SERVICE (B)
EAL0383G30A	LABEL (B) - 19868
EAL0413G42A	DECAL PEDALS 3 (B) - 26242
EAL0408G72A	LABEL
EAC0103G11A	PEDAL SPACER
ZEEWH311CU9	LITERATURE PACK SNAP-ON

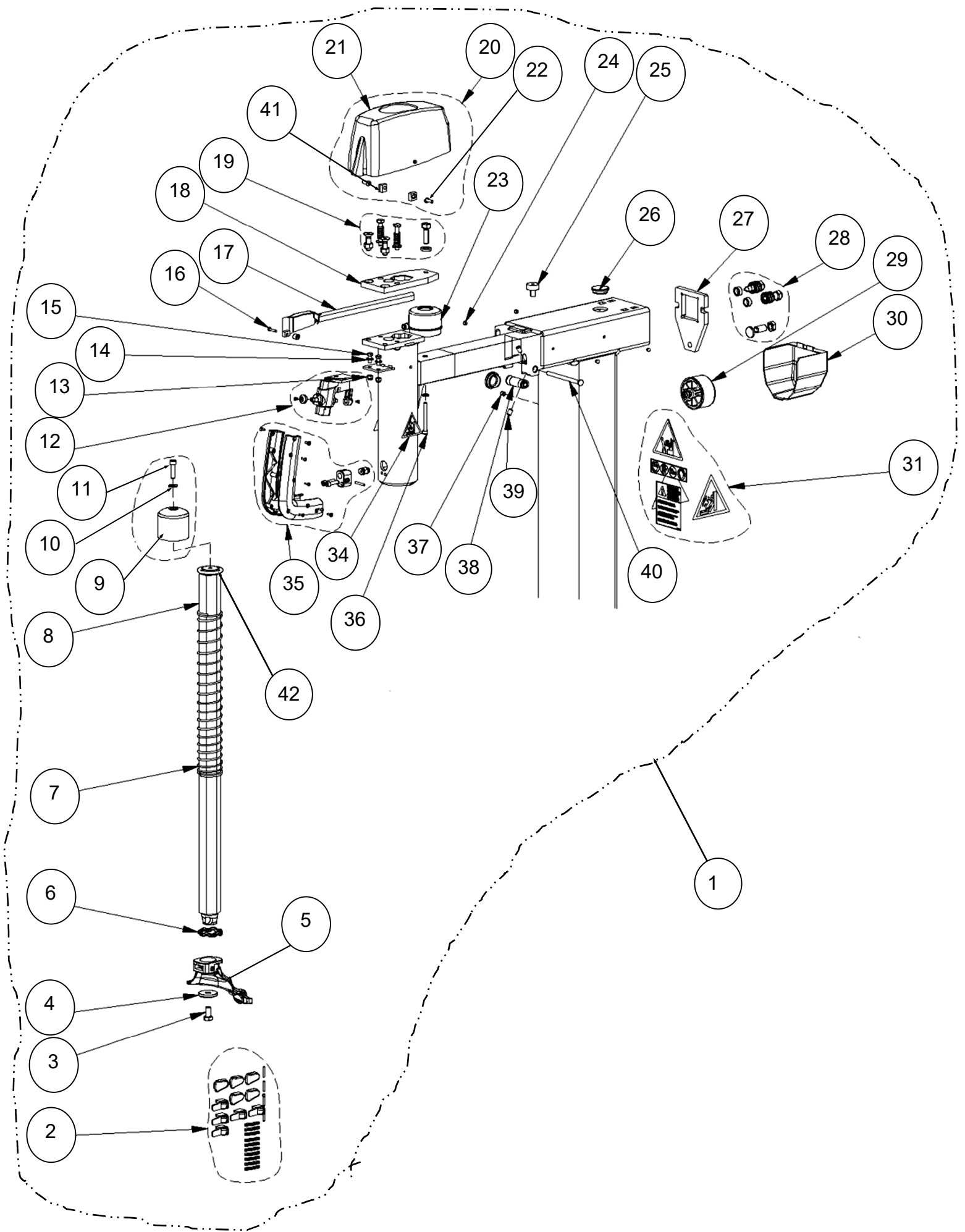


REF	QTY	PART NUMBER	DESCRIPTION
1	1	EAL0408G45A	LABEL
2	2	1-09076A	PLASTIC CAP FOR HOLES
3	1	EAA0349G76A	RING - BOX . GREASE
4	2	1-51101A	SCREW-M16 X 40 HHMS
5	2	1-9841	WASHER-6MM
6	2	1-19409	SCREW TCEI 6 X 20 8G
7	1	EAC0099G22A	BEAD BREAKER SUPPORT PAD
8	1	1-17659A	SELF CLINCHING NUTSERT M10X22
9	1	EAC0078G03A	CIRCULAR RUBBER FOOT
10	4	EAC0097G52A	FOOT - SQUARE
11	1	EAS2116G78A	BEAD BREAKER COVER PLATE BLACK
12	1	EAL0408G72A	BEAD BREAKER FOOT PEDAL LABEL
13	6	1-17841	WASHER - D . 8 X 24
14	7	1-32501A	8X16 SCREW 8G
15	1	EAS2100G95A	PEDAL - REVERSER PROTECTION
16	6	1-17841	WASHER-ZINC D8 X 24-7021102
17	2	EAC0087G76A	CUP . FOR PEDALS PROTECTION
18	2	1-9902A	M8-1.25X16MM BHSC ZP
19	2	1-11733	NUT-HEX M8 BLK
20	1	EAC0087G75A	PEDALS PROTECTION
21	1	EAL0413G42A	PEDALS STICKER 3 PEDALS(B)
22	1	EAL0352J15A	LABEL - SNAP-ON WHITE - 11.00"
23	1	EAA0384G22A	VALVE AIR CONTROL
24	2	1-32501A	SCREW 8X16 8G
25	2	1-17841	WASHER - D. 8X24
26	2	1-3048	WASHER SHAKEPROOF D8 BLK.
27	1	EAS2115G83A	PROTECTOR-PEDAL
N/S	1	EAL0413G34A	STICKER- INFLATOR
28	2	1-11733	NUT M8
29	1	1-1548	WASHER-LOCK D.6
30	1	1-30901A2	SCREW TE 6X20 8G
31	1	EAS2029J64A	SIDE PANEL-TIRE CHANGER RED
32		N/A	CAP.CLOSING
33	1	EAS2029J58A	CABINET - RACING RAL 3000

REF	QTY	PART NUMBER	DESCRIPTION
34	1	EAA0362G31A	FOOT PEDAL ASSY BD BKR 4031367
35	2	1-18359A	SELF CLINCHING NUT (M8)
36	1	EAM0068G96A	BEAD BREAKER PEDAL - MACHINED
37	1	EAM0074G76A	SPACER Ø13 L=20
38	1	EAS2115G46A	BEAD BREAKER SUPPORT SHEET
39	1	EAM0074G78A	SPRING WIRE Ø2,2 L=115 mm
40	4	EAM0074G79A	SPACER Ø6.1 L=25
41	1	1-10033	HEX NUT PREVAILING TORQUE M8
42	1	1-11633A	NUT-HEX. M6 6S
43	5	1-9933	NUT, PREVAILING TORQUE M6
44	5	1-9841	WASHER, PLAIN d6 ZINC.UNI6592-69
45	4	1-17409A	SCREW TCEI 6X70 8G
46	1	1-16609A	SCREW TCEI 6X30 8G
47	1	EAA0356G94A	BEAD BREAKER PEDAL VALVE
48	1	EAM0075G89A	BEAD BREAKER PEDAL SHAFT
49	1	EAM0075G90A	FOOT PEDAL SPACER

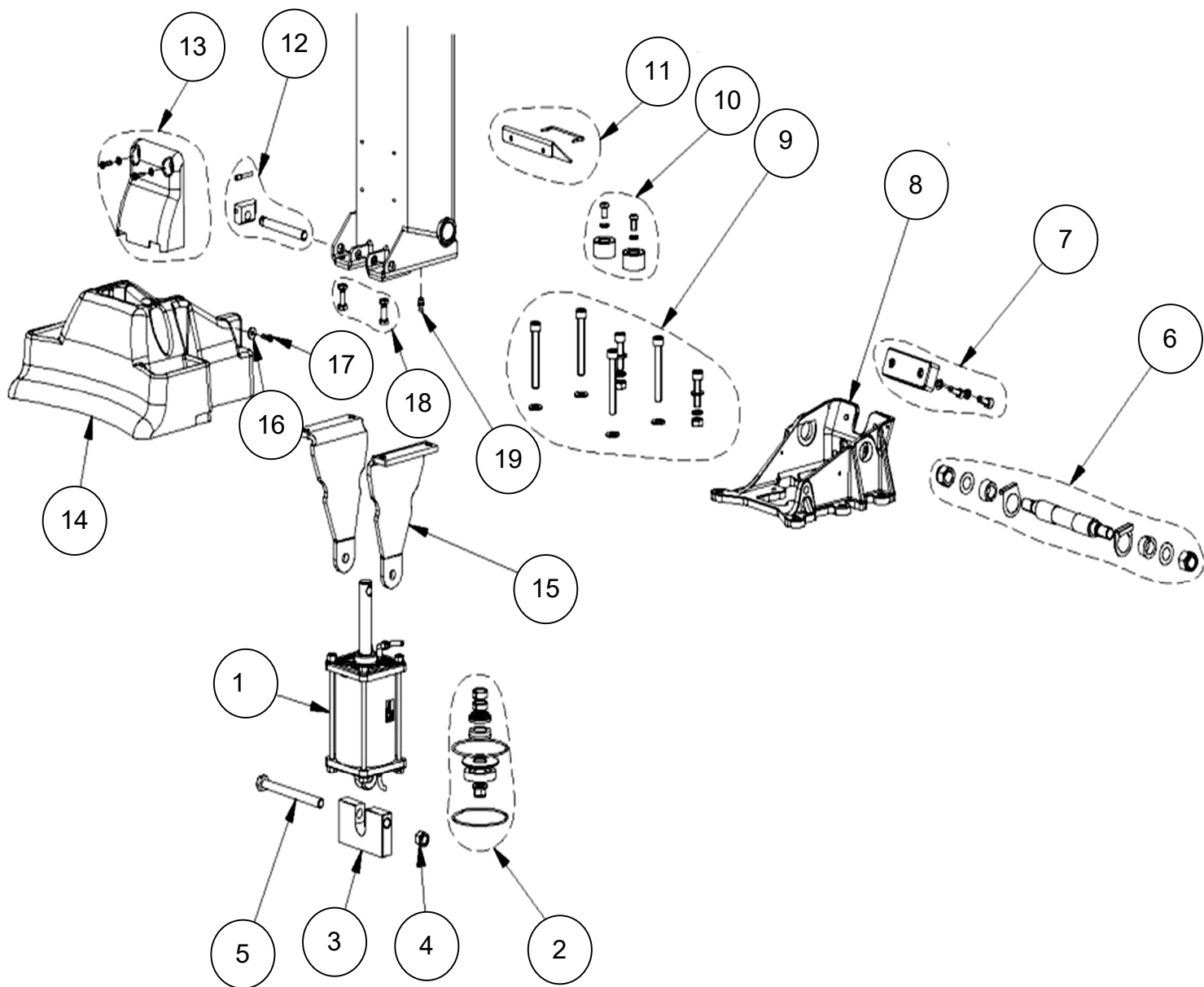


REF	QTY	PART NUMBER	DESCRIPTION
1	1	EAA0329G50A	CYLINDER. BEAD BREAKER
2	1	EAM0048G05A	ROD BEAD-BREAKER CYLINDER
3	1	1-20179A	6x8 ELBOW FITTING
4	1	EAS2068G62A	CYLINDER CHAMBER
5	2	EAM0067G34A	SCREW . FITTING- CYLINDER B / BREAK ZINC
6	1	EAK0306G19A	SEALS FOR BEAD BREAKER CYL
7	1	EAM0067G33A	WASHER SUPPORT BEAD BREAKER
8	1	EAC0097G51A	WASHER SHOCK ABSORBER
9	1	EAA0338G44A	3 POSITIONS BEAD BREAKER ARM
10	1	EAS2108G27A	ARM SUPPORT BEAD-BREAKER
11	1	EAM0067G69A	RECAL SPRING BEAD BREAKER
12	1	EAA0328G72A	PIN - LOCK
13	1	1-10433	NUT-S.LOCK,LOW- M14
14	1	1-5246	WASHER 14MM
15	1	EAS2087G90A	EXTENSION FOR ARM,B/BREAKER
16	1	1-22609	SCREW HEX SOCKET HEAD CAP M14X110
17	1	EAS2087G93A	BLADE BEAD BREAKER
18	1	EAC0078G04A	RUBBER HANDLE
19	1	1-02138A	RING NUT. METAL - S. LOCK . M20 X 1
20	1	EAM0086G16A	BEAD - BREAKER ARM PIN
21	1	1-20933A	NUT (LOCK) M18 X1.5 DIN 982
22	1	EAM0168G27A	RETAINING RING FOR SHAFTS D16 DIN471
23	1	EAM0048G04A	LIMIT SWITCH RUBBER PAD
24	1	1-16433A	NUT 1/4" X 0.25" CAMOZZI 1253
25	1	1-10433	NUT-S.LOCK,LOW- M14
26	8	1-32601	SCREW HEX HEAD MACHINE 8x20
26	8	1-1748	WASHER SHAKEPROOF D8
26	8	1-11733	NUT M8 6S STAND WHITE ZINC
27	1	1-11379A	FITTING 4x6 1/8"



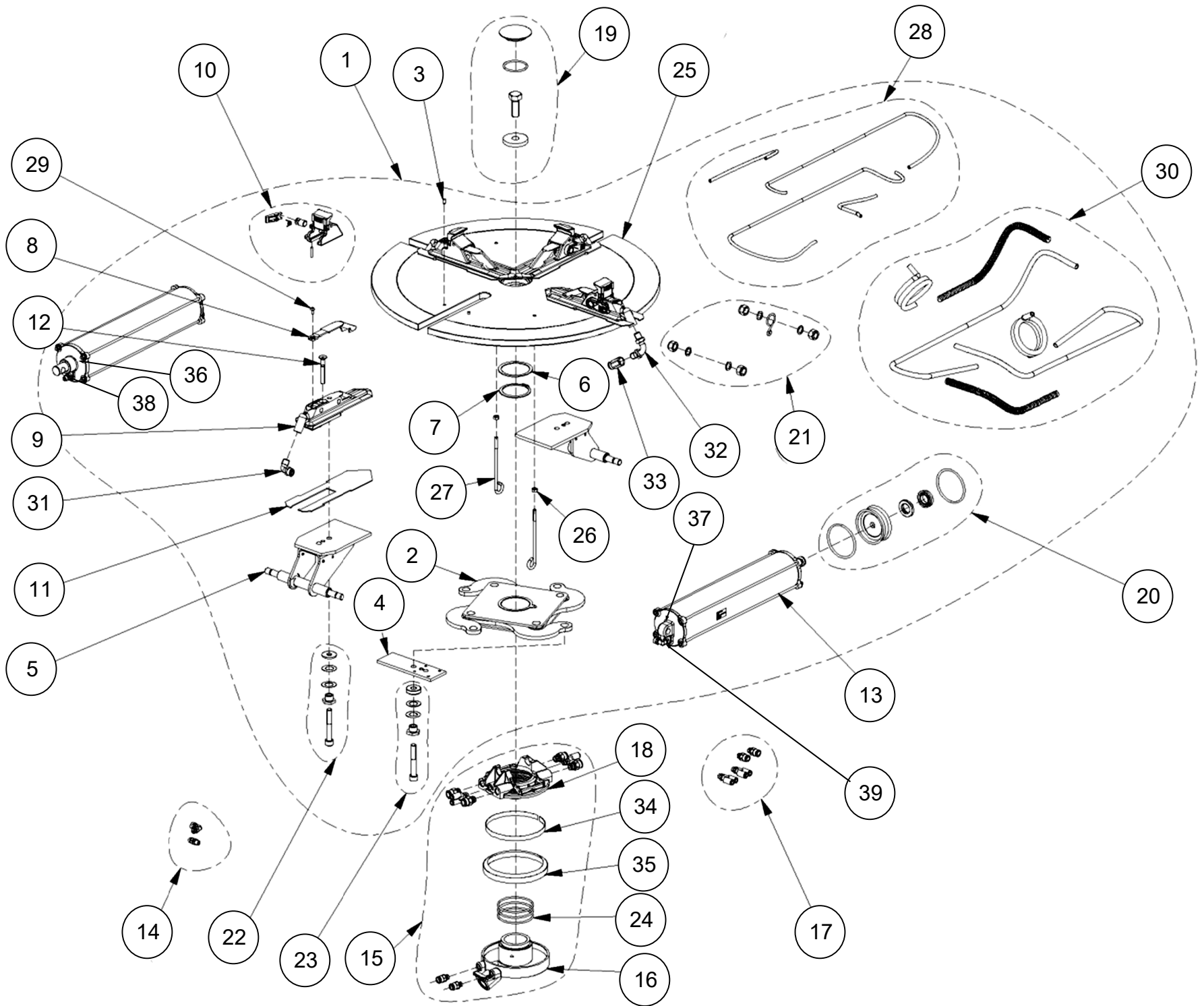
REF	QTY	PART NUMBER	DESCRIPTION
1	1	EAA0328G65A	UPPER TILT TOWER ASSEMBLY
2	1	EAA0372G24A	PROTECTION FOR MOUNTING TOOLS (OPTIONAL)
3	1	1-34301A	SCREW MSCR HEX HD-M10X20MM
4	1	EAM0032G02A	WASHER TOOL CLAMPING
5	1	EAA0329G95A	MOUNTING/DEMOUNTING TOOL
6	2	EAC0094G01A	SHOCK ABSORBER- ROD
7	1	EAM0055G22A	SPRING,RECALL-TOWER, VERTICAL
8	1	ST0020965	VERTICAL ROD HEX - 38MM
9	1	EAC0094G20A	COVER, SPRING
10	3	1-10041	WASHER D.8 UNI6592-69/DIN125
11	1	1-17609A	SCREW, 8X16 8.8 UNI5931-6
12	1	EAA0338G11A	VALVE LOCKING YELLOW BUTTON
13	2	1-01637A	NUT-S.LOCK,HIGH - M6 5S
14	1	1-13241	WASHER,FLAT, D.6
15	2	ST7104119	SCREW HEX HEAD MACHINE 6X16 8G
16	1	1-17203A	SCREW TSEI 4X16 10.9
17	1	ST0015370	HOSES PROTECTION
18	1	ST0020985	LEVER PLATE-UPPE
19	1	EAK0306G39A	SCREWS FOR UPPER LOCKING LEVER
20	1	EAK0306G40A	PLASTIC TOP COVER ASSY
21	1	25272	COVER UPPER POLE
22	2	1-53209A	SCREW TBEI M6 XI 6 8G ZINC . YELL
23	1	ST4007435	VERTICAL LOCKING CYLINDER
24	1	EAC0099G76A	CAP .5 (36013) S/A 1-14076A
25	1	ST0005672	SCREW-ARM,RETAINING
26	1	EAC0097G57	STOPPER SCREW ARREST
27	1	ST0025218	LEVER, LOCKING-EAM0074G95A

REF	QTY	PART NUMBER	DESCRIPTION
28	1	EAK0306G48A	SCREWS FOR REAR LOCKING LEVER
INCL	2	ST0025219	Screw Centering Bushing
INCL	2	EAM0053G51A	SPRING-RECALL, LEVER, LOCKING
INCL	2	ST0025217	SCREW REGISTER, LEVER
INCL	1	ST7707449	SCREW 12 X 25
INCL	3	1-22733A	NUT M12
INCL	2	ST0011634	WASHER REINFORCEMENT
29	1	ST4007436	QR CYL-ROD HORZ-LO-EAA0344G48A
30	1	25216	PROTECTION, CYLINDER
31	1	EAK0306G38A	Label Kit For Column
34	1	EAL0408G42A	STICKER DANGER
35	1	EAK0316G10A	KIT HANDLE TILTING TOWER
36	1	1-17209	SCREW TCEI 6X60 8G
37	2	1-47810	SCREW SET M8 X 8MM FLAT PT
38	1	ST0024941	QR ROLLER, ARM SLIDING
39	1	ST7705719	SCREW M8X1X12 BRNISHD UNI 5923
40	2	1-24423A	SCREW .8MM X 13Z PPH SELF TAP
41	1	EAC0103G38A	ANTI INTRUSION PLASTIC COVER
42	1	EAM0055G23A	WASHER- LOCKING SPRING



REF	QTY	PART NUMBER	DESCRIPTION
1	1	EAA0356G14A	CYLINDER. TILTING TOWER
2	2	EAA0356G43A	SEALS,KIT FOR TILTING-TOWER CYL
3	1	EAM0069G66A	SPACER FOR CYLINDER
4	1	1-19933A	NUT M12
5	1	ST7107339	SCREW TE 12 X140 8G
6	1	EAK0306G02A	TILTING TOWER CONNECTING KIT
INCL	2	1-02637A	Nut - S.Lock, High - M16
INCL	2	EAM0051G74A	2 Washer 30 x 17 x 0.3
INCL	2	EAM0075G52	2 Bushing, Conic Tower
INCL	2	EAM0086G15A	C67 0.8 WASHER
INCL	1	EAM0051G65A	Tower - Axle Pin
7	1	EAK0306G35A	CLAMP OVERTURNING KIT
INCL	1	EAM0080G29A	Clamp Overturning
INCL	2	1-25841A	Plane Washer 8.4 x 14 x 1.6
INCL	2	1-17709	Screw HSHC 8 x 20
8	1	EAM0080G77A	TOWER SUPPORT MACHINED
9	1	EAK0306G37A	SCREWS+BOLTS FOR COLUMN SUPPORT
INCL	4	1-57309A	Screw 10 x 80
INCL	6	1-10141A1	Washer D10
INCL	2	1-19409	Screw 10 x 40
INCL	2	13148	WASHER-M10 EXT SHAKEPROOF
INCL	2	1-15433	Nut M10

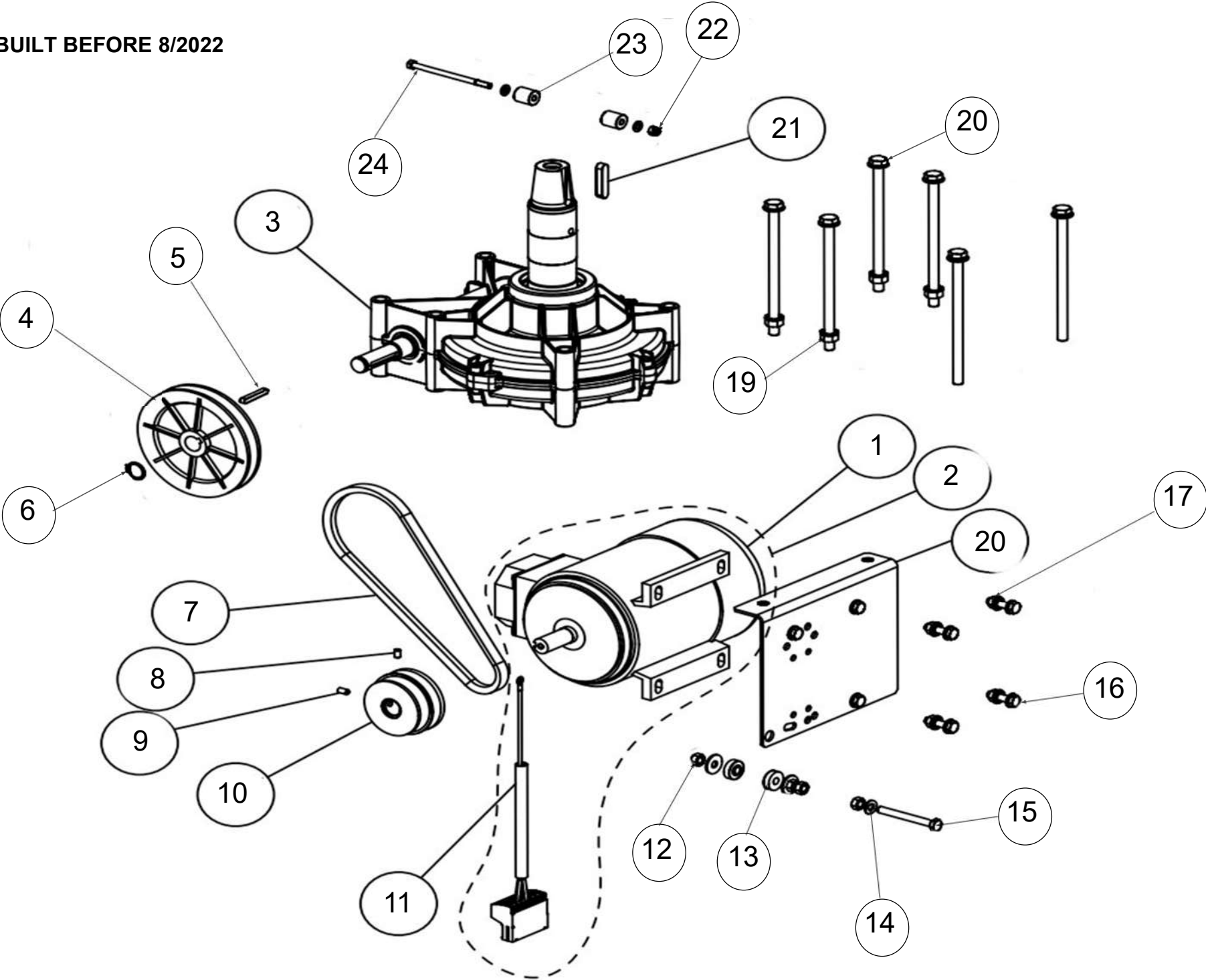
REF	QTY	PART NUMBER	DESCRIPTION
10	1	EAK0306G36A	SHOCK ABSORBER KIT FOR COLUMN
INCL	2	1-9902A	M8 - 1.25 x 16mm
INCL	2	1-10041	Washer, Plain M8
INCL	2	EAC0125G94A	Pad Shock Absorber
11	1	EAK0306G51A	Rear Column Protection Kit
INCL	1	1 EAM0006G49A	RETAINER - FLAP
INCL	1	EAS2097G01A	Protection, Rear Tower
12	1	EAK0306G50A	012 FULCRUM KIT
13	1	EAK0306G83A	FRONT COLUMN CARTER KIT
14	1	EAC0103G38A	COVER PLASTIC ANTI INTRUSION
15	2	EAS2111G04A	BRACKET TILT TOWER ZN 4030768
16	4	1-19041A	WASHER PLAIN 5X15X1.5
17	4	1-14809A	SCREW TCEI 5 X 10 8G
18	1	EAK0306G49A	COLUMN END STROKE KIT
INCL	2	ST0010721	SCREW SUPPORT TOWER
INCL	2	1-15933A	NUT M8
19	1	ST0003280	GREASER-NIPPLE M8X1.25



REF	QTY	PART NUMBER	DESCRIPTION
1	1	EAA0409G85A	Turntable 24" Center Type No Gt
2	1	EAA0351G73A	Clamp Actioning Plate
3	8	1-25952A	Pin Dowel 5X10 Uni En 28734
4	2	EAM0043G49A	Plate, Register -Clamp
5	2	EAA0377G79A	Bracket Cylinders
6	1	EAM0051G85A	Support, Ring
7	1	1-18677A	Ring- Stop D.60
8	4	EAC0099G90A	Protection Jaws New
9	4	ST0029428	Clamp, Sliding W/Centre 20"
10	4	EAA0408G23A	Assembled Sliding Jaw C/Type V2
11	4	EAM0051G00A	Sliding Clamp Guide
12	4	1-24603A	Screw Tsei 8X60 12.9
13	2	EAA0410G31A	Cylinder, Turntable
14	1	EAK0330G35A	Tt Cylinder Fittings Kit
15	1	EAA0304G69A	Revolving Manifold, Tubeless Inflator
16	1	EAA0338G27A	Ring-Inside, With Supports
17	1	EAK0330G28A	Revolving Manifold Fittings Kit
18	1	EAA0338G76A	Ring,Outer - Manifold
19	1	EAK0306G25A	Turntable Fixing Kit
20	2	EAK0317G36A	Seal For Round Cylinder
21	1	EAK0306G27A	Screws And Bolts For Turntable Cyl.
22	2	EAK0329G89A	Screws And Bolts For Clamps
23	2	EAK0329G88A	Screws And Bolts With Eccentric
24	3	8-10814A	Seal Or D.69.44X3.53
25	1	EAS2153G40A	Turntable Flange, C/Type

REF	QTY	PART NUMBER	DESCRIPTION
26	2	1-11633A	Nut-Hex. M6 6S
27	2	EAM0051G90A	Support, Pipe Gt (White Galvan.)
28	1	EAK0341G62A	Turntables Hoses Kit
29	4	1-36109A2	Screw Tbei 5X10 8G
30	1	EAK0341G63A	Turntable Hoses Kit For Gt
31	2	1-14379A	Fitting-90 Deg L 1/4 8X10
32	2	EAM0051G83A	Pipe For Terminal Gt
33	2	1-27379A	Fitting, Swift F.8X10 1/4"
34	1	EAA0338G77A	Spring, Joint Sealing
35	1	EAC0087G50A	Seal Tubeless Inflator-Front Joint
36	2	ST0019653	Front Cylinder Flange, Shaft end
37	2	ST0019652	Rear Cylinder Flange
38	2	ST0001368	Straight Fitting 4 x 6 mm 1/8" (Nut & Ferrule)
39	2	1-18879A	Elbow Fitting 4 x 6 mm 1/8" (Nut & Ferrule)
N/S	4	EAM0154G76A	SPRING PROTECTION AIR-HOS
N/S	BTM	ST0026904	PIPE, SPIRAL *BLK 6,5X10X2,5IN L
N/S	BTM	5-06435A	4MM X 6MM HOSE BTM
N/S	BTM	ST2618004	6MM X 8MM HOSE BTM
N/S	BTM	2618002	8MM X 10MM HOSE BTM

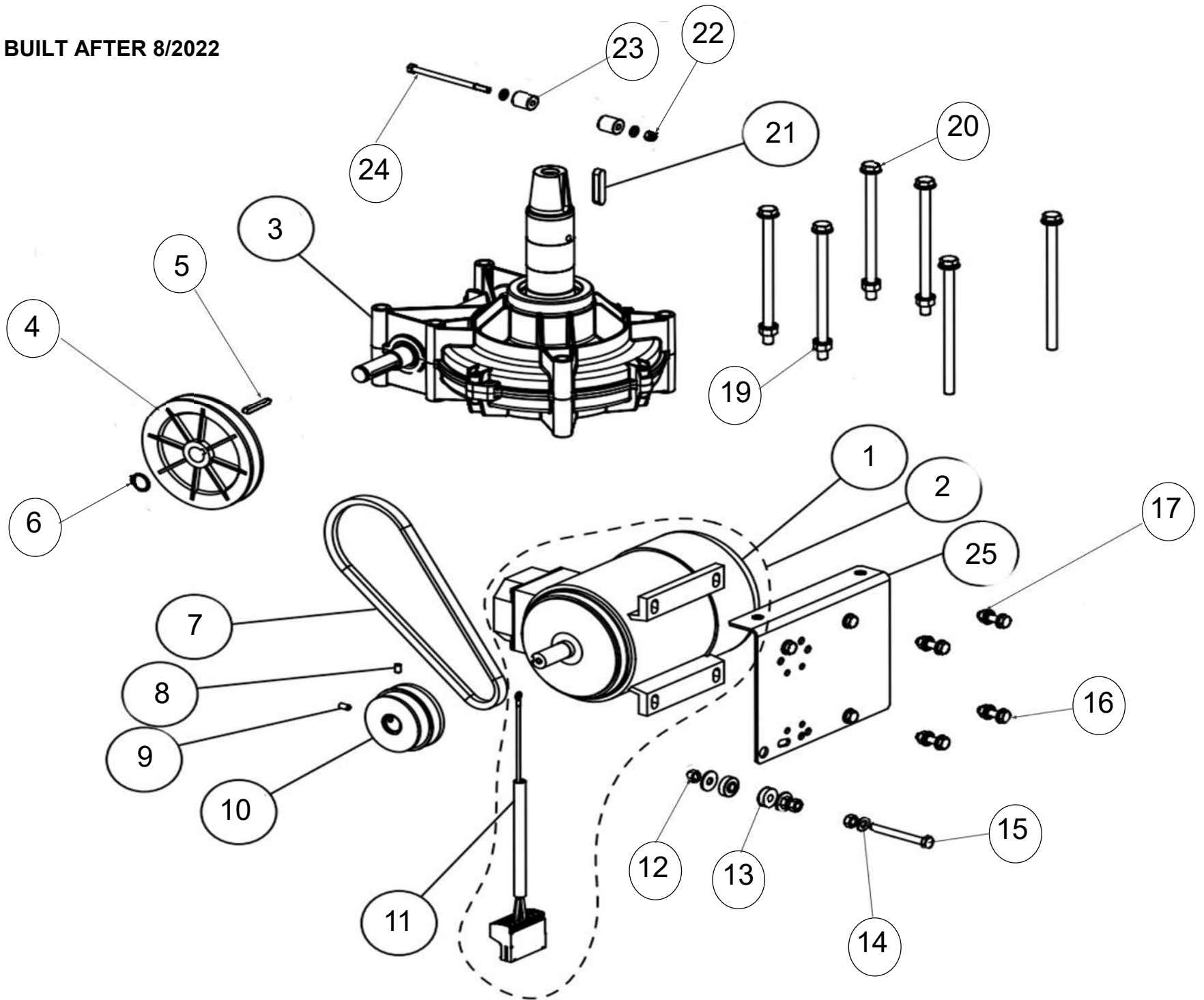
UNITS BUILT BEFORE 8/2022



UNITS BUILT BEFORE 8/2022

REF	QTY	PART NUMBER	DESCRIPTION
1	1	EAA0371G78A	SINGLE PH US MOTOR & CABLE ASSEMBLY
2	1	2-54566A	1PH 115V RIGHT MOTOR ASSEMBLY
3	1	EAA0382G23A	GEAR BOX STANDARD TC
4	1	EAM0125G94A	PULLEY. Dpi 30 ALU-CAST MACHINED
5	1	1-03472A	KEY 6X6X45
6	1	1-24477A	ELASTIC COMPENSATION RING - 26 A
7	1	EAC0078G58A	BELT A26
8	1	1-48910A	SCREW SET HEX SOC FLT PT, 6 X 10
9	1	1-54210A	SET SCREW M6x10 HEX SOCKET
10	1	EAM0154G58A	PULLEY DP:2" HOLE D. 5 / 8
11	1	EAW0277G10A	115v MOTOR CABLE
12	2	1-10033	HEX NUT PREVAILING TORQUE W8
13	2	EAC0097G54 A	WASHER. SHOCK ABSORBER
14	3	1-10041	WASHER D. 8 UNI 6592 - 69 / DIN 125
15	1	1-33501A	SCREW.M8 65MM
16	4	1-32601	SCREW HEX HEAD MACHINE 8x20
17	4	1-11733	NUT M8 6S STAND WHITE ZINC
N/S	8	1-10041	WASHER D.8 UNI6592-69/DIN125
19	4	1-15433	NUT M10 WHITE ZINC . DIN 934
20	6	1-50401A	SCREW TE 10 X 160 10.9
21	1	1-1572	KEYWAY 10X8X45
22	1	1-01637A	NUT M6 CLASS6 OIN 982 PLASTIC RING
23	2	EAM0032G93A	ANTI-ROTOATION BUSHING
24	1	1-50301A	SCREW M6X100
25	1	EAS2029J69A	MOTOR SUPPORT BRACKET

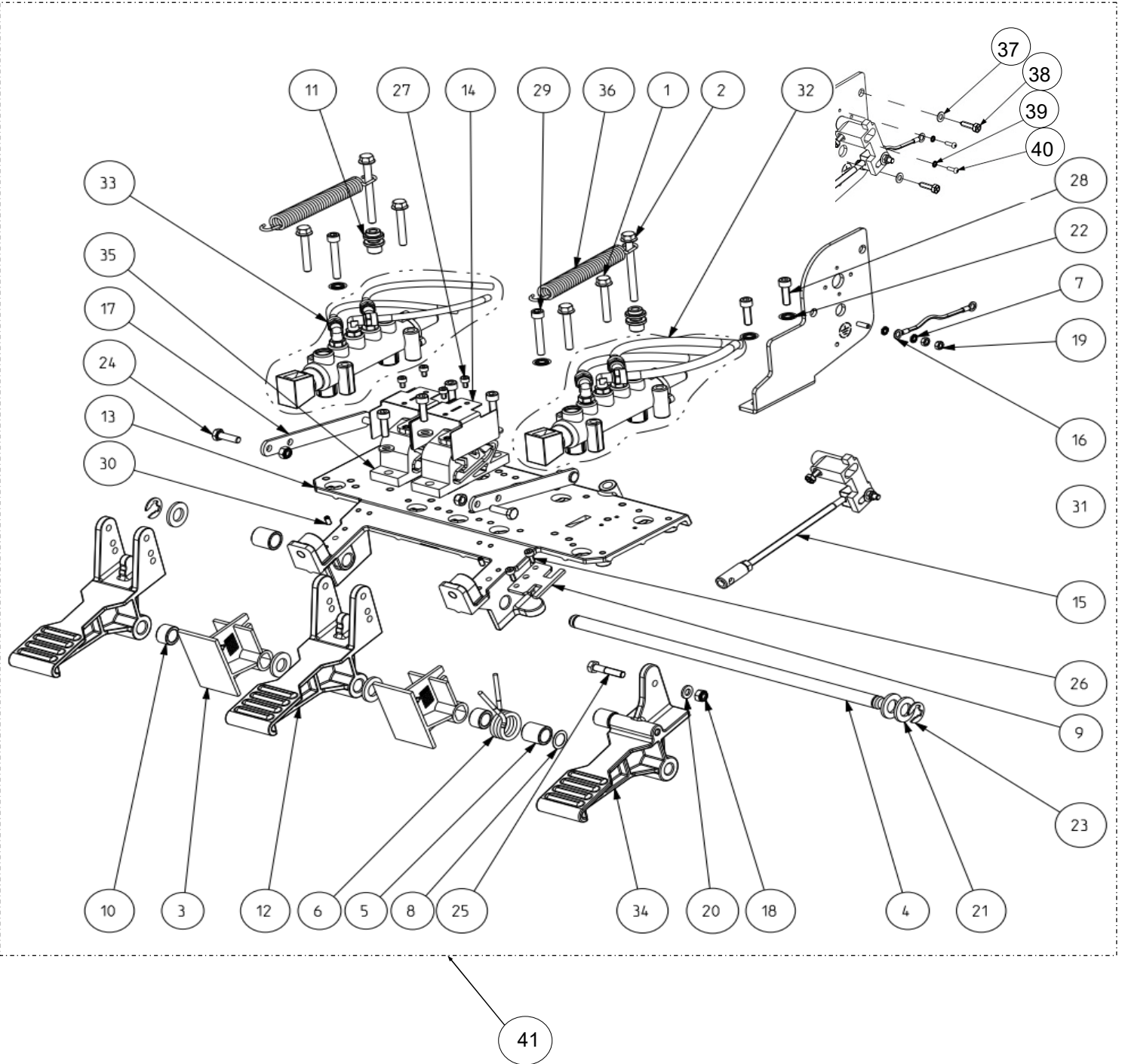
UNITS BUILT AFTER 8/2022



UNITS BUILT AFTER 8/2022

REF	QTY	PART NUMBER	DESCRIPTION
1	1	EAA0534G65A	1PH 115V RIGHT MOTOR ASSEMBLY
2	1	EAA0534G62A	1PH US MOTOR CABLE ASSEMBLY
3	1	EAA0382G23A	GEAR BOX STANDARD TC
4	1	EAM0125G94A	PULLEY. Dpi 30 ALU-CAST MACHINED
5	1	1-03472A	KEY 6X6X45
6	1	1-24477A	ELASTIC COMPENSATION RING - 26 A
7	1	EAC0078G58A	BELT A26
8	1	1-48910A	SCREW SET HEX SOC FLT PT, 6 X 10
9	1	1-54210A	SET SCREW M6x10 HEX SOCKET
10	1	EAM0154G58A	PULLEY DP:2" HOLE D. 5 / 8
11	1	EAW0277G10A	115v MOTOR CABLE
12	2	1-10033	HEX NUT PREVAILING TORQUE W8
13	2	EAC0097G54 A	WASHER. SHOCK ABSORBER
14	3	1-10041	WASHER D. 8 UNI 6592 - 69 / DIN 125
15	1	1-33501A	SCREW.M8 65MM
16	4	1-32601	SCREW HEX HEAD MACHINE 8x20
17	4	1-11733	NUT M8 6S STAND WHITE ZINC
N/S	8	1-10041	WASHER D.8 UNI6592-69/DIN125
19	4	1-15433	NUT M10 WHITE ZINC . DIN 934
20	6	1-50401A	SCREW TE 10 X 160 10.9
21	1	1-1572	KEYWAY 10X8X45
22	1	1-01637A	NUT M6 CLASS6 OIN 982 PLASTIC RING
23	2	EAM0032G93A	ANTI-ROTOATION BUSHING
24	1	1-50301A	SCREW M6X100
25	1	EAS2131G28A	MOTOR SUPPORT

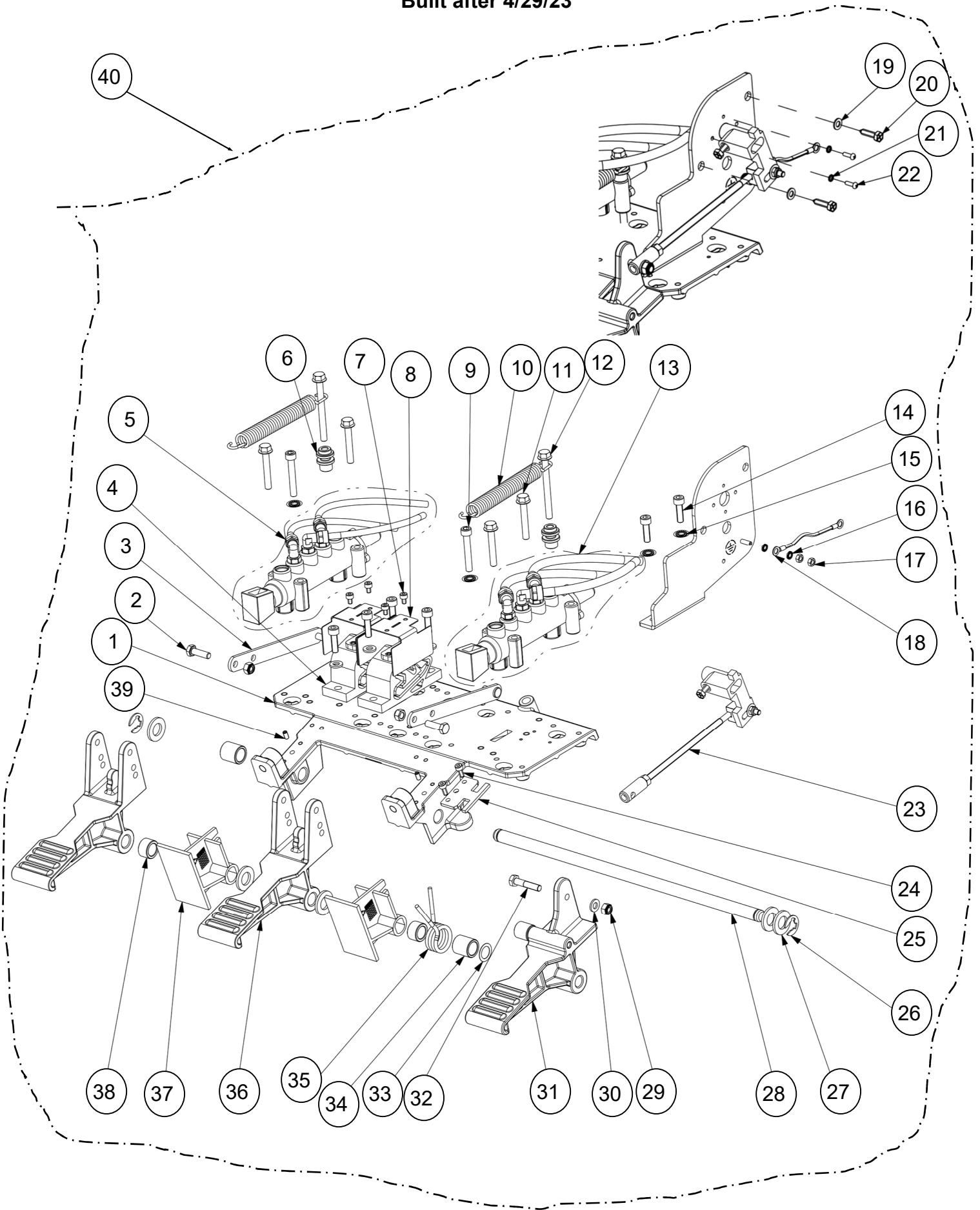
USED FROM 5/2017- 4/28/2023



REF	QTY	PART NUMBER	DESCRIPTION
1	4	1-12626A	SCREW HEX FLANGE HEAD M6 x 40mm
2	2	1-12726A	SCREW HEX FLANGE HEAD M6 x 65mm
3	2	EAC0096G11A	SPACER-PEDAL
4	1	ST0005731	SHAFT-HINGE PEDAL-EAM0068G10A
5	2	EAM0048G79A	BUSHING CENTERING SPRING
6	1	EAM0048G78A	SPRING, PEDAL SWITCH
7	2	1-5547	BEVELED SERRATED WASHER
8	1	1-25241A	SHIM RING D.12.2X18X0.3 MM DIN988
9	1	EAM0070G32A	COMMUTATOR SPRING GUIDE
10	2	EAM0070G46A	SPACER L=11 mm CENTERING SPRING
11	2	EAC0099G82A	SPRING FIXING PAWL
12	2	EAM0068G95A	STANDARD PEDAL MACHINED
13	1	EAM0068G80A	PEDAL ASSBLY SUPPORT - MACHINED
14	2	EAS2115G09A	PROTECTION SHEET FOR CAM
15	1	EAA0347G61A	ROD REGISTER SWITCH
16	1	EAA0357G73A	CABLE, EARTH
17	2	EAS2111G73A	ROD POSITIONER PEDAL
18	3	1-9933	NUT, PREVAILING TORQUE M6
19	2	1-15833A	HEX NUT M4, BRASS
20	5	1-9841	WASHER, PLAIN d6 ZINC.UNI6592-69
21	5	1-10241A	WASHER, ISO 7089 (DIN 125A)
22	4	1-1548	WASHER, EXT. SHAKEPROOF D6
23	2	1-18477A	RETAINING RING 10X1,2mm THK
24	2	1-14801A	SCREW, HEX HEAD MACHINE M6x20
25	1	1-50201A	Screw, Hex Head Machine
26	2	1-13409	SCREW, HEX SOCKET CAP HEAD, M4X10

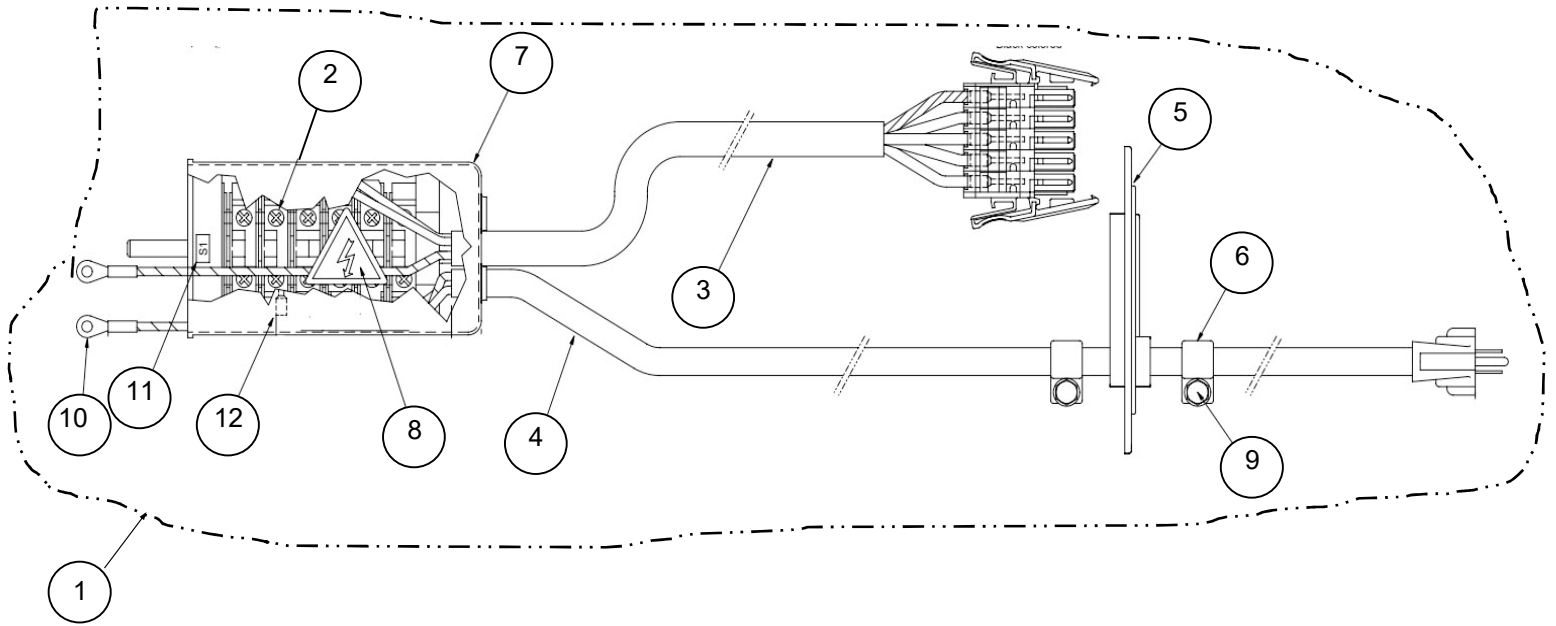
REF	QTY	PART NUMBER	DESCRIPTION
27	4	1-46809	Screw-HSHC M4x6 8.8
28	6	1-16409	SCREW - HEX SOCKET HEAD CAP DIN 912
29	2	1-56209A	SCREW, HEX SOCKET HEAD M6x40
30	2	1-38910	SCREW M4X8SET CUP
31	1	EAA0394G62A	1S SWITCH SUPPORT ASM
32	1	EAA0440G88A	TURNTABLE PEDAL HOSES WITH VALVE
	1	EAA0356G94A	VALVE 6x8
33	1	EAA0440G89A	TILTING TOWER PEDAL HOSES WITH VALVE
	1	EAA0356G96A	4X6 HOSES VALVE
34	1	EAA0536G27A	RIGHT SWITCH FOOT PEDAL
35	2	EAC0103G56A	FOOT PEDAL CAM
36	2	EAM0147G64A	SPRING RECALL PEDALS
37	2	1-9741	WASHER PLAIN D5 ZINC
38	2	1-24223A	SCREW- SELFTHREAD. 4.8X16 TE
39	2	1-1248	WASHER SHAKE PROOF, M3
40	2	1-27406A	SCREW FIL HD M3X10 4.8 A2J DIN 7985
41	1	EAA0372G53A	FOOT PEDAL ASM 3P RAC. 1PH US (115V) W/

Built after 4/29/23



REF	QTY	PART NUMBER	DESCRIPTION
1	1	EAM0068G80A	PEDAL ASSEMBLY SUPPORT - MACHINED
2	2	1-14801A	SCREW, HEX HEAD MACHINE M6x20
3	2	EAS2111G73A	ROD POSITIONER PEDAL
4	2	EAC0103G56A	FOOT PEDAL CAM
5	1	EAA0440G89A	VALVE ASSY TURNTA TILT 4031031
6	2	EAC0099G82A	SPRING FIXING PAWL
7	4	1-46809	Screw-HSHC M4x6 8.8 -A2J
8	2	EAS2115G09A	PROTECTION SHEET FOR CAM
9	2	1-56209A	SCREW, HEX SOCKET HEAD M6x40
10	2	EAM0147G64A	SPRING RECALL PEDALS
11	4	1-12626A	SCREW HEX FLANGE HEAD M6 x 40mm
12	2	1-12726A	SCREW HEX FLANGE HD M6 X 65MM
13	1	EAA0440G88A	TURNTABLE PEDAL HOSES VALVE
14	6	1-16409	SCREW - HEX SOCKET HEAD CAP DIN 912
15	4	1-1548	WASHER, EXT. SHAKEPROOF D6
16	2	1-5547	BEVELED SERRATED WASHER
17	2	1-15833A	HEX NUT M4, BRASS
18	1	EAA0357G73A	CABLE, EARTH
19	2	1-9741	WASHER PLAIN D5 ZINC
20	2	1-24223A	SCREW- SELFTHREAD. 4.8x16 TE
21	2	1-1248	WASHER SHAKE PROOF, M3
22	2	1-27406A	SCREW FIL HD M3x10 4.8 A2J DIN 7985
23	1	EAA0347G61A	ROD REGISTER SWITCH
24	2	1-13409	SCREW, HEX SOCKET CAP HEAD, M4X10 A2J
25	1	EAM0070G32A	COMMUTATOR SPRING GUIDE
26	2	1-18477A	RETAINING RING 10X1,2mm THK (A2R) BLK

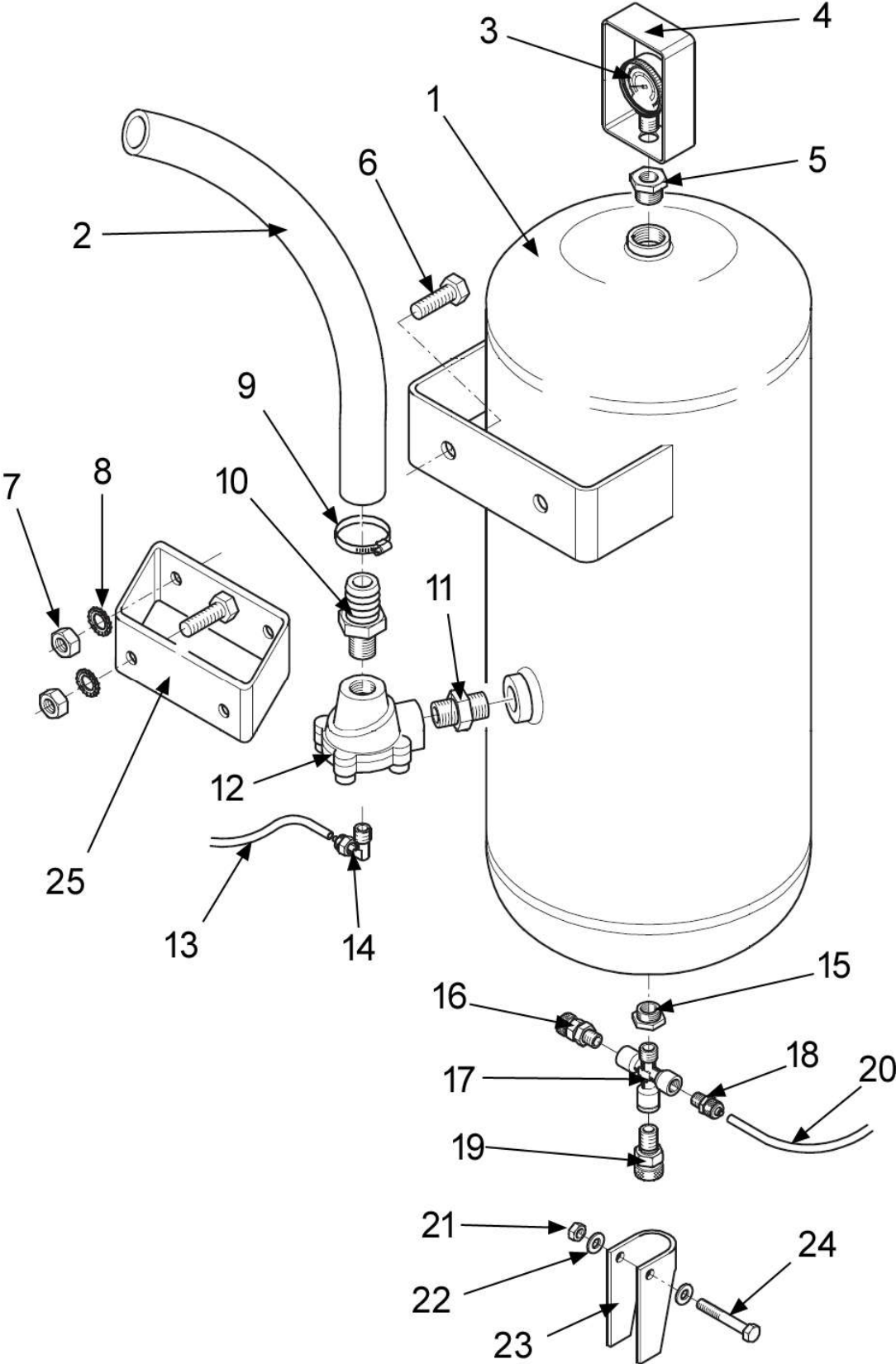
REF	QTY	PART NUMBER	DESCRIPTION
27	5	1-10241A	WASHER, ISO 7089 (DIN 125A)
28	1	EAM0068G10A	SHAFT-HINGE PEDAL
29	3	1-9933	NUT, PREVAILING TORQUE M6
30	5	1-9841	WASHER, PLAIN d6 ZINC.UNI6592-69
31	1	EAA0536G27A	RIGHT SWITCH FOOT PEDAL
32	1	1-50201A	Screw, Hex Head Machine
33	1	1-25241A	SHIM RING D.12.2X18X0.3 MM DIN988
34	2	EAM0048G79A	BUSHING CENTERING SPRING
35	1	EAM0048G78A	SPRING, PEDAL SWITCH
36	2	EAM0068G95A	STANDARD PEDAL MACHINED
37	2	EAC0096G11A	SPACER-PEDAL
38	2	EAM0070G46A	SPACER L=11 MM CENTERING SPRING
39	2	1-38910	SCREW M4X8SET CUP ZP
40	1	EAA0372G53A	FOOT PEDAL ASM 3P RAC. 1PH US (115V)
N/S	1	EAA0394G36A	115V 1 PHASE SWITCH ASSEMBLY US (R)



REF	QTY	PART NUMBER	DESCRIPTION
1	1	EAA0394G36A	1 PHASE SWITCH-CABLE ASSY. DX US
2	1	2-16759A	ONE PHASE ROTARY SWITCH
3	1	EAW0277G09A	115V PEDAL-SWITCH MOTOR CABLE
4	1	ST0015571	CABLE W/PLUG CSA-EAW0276G32A
5	1	EAC0100G22A	CABLE PROTECTION AND HOSE PASS
6	2	EAW0256G00A	CLAMP FOR CABLE
7	1	ST0016452	REVERSE GEAR PROTECTION
8	1	8-23562A	STICKER, DANGER VDE
9	2	1-24223A	SCREW D 4.8X16
10	2	2-12802A	RING TERMINAL INSULATED 2.5MM ² FOR M4
11	1	EAL0383G21A	CSA MAINS CORD 3.6M
12	5	2-33301A	BOOTLACE FERRULE 2X2.5MM ²

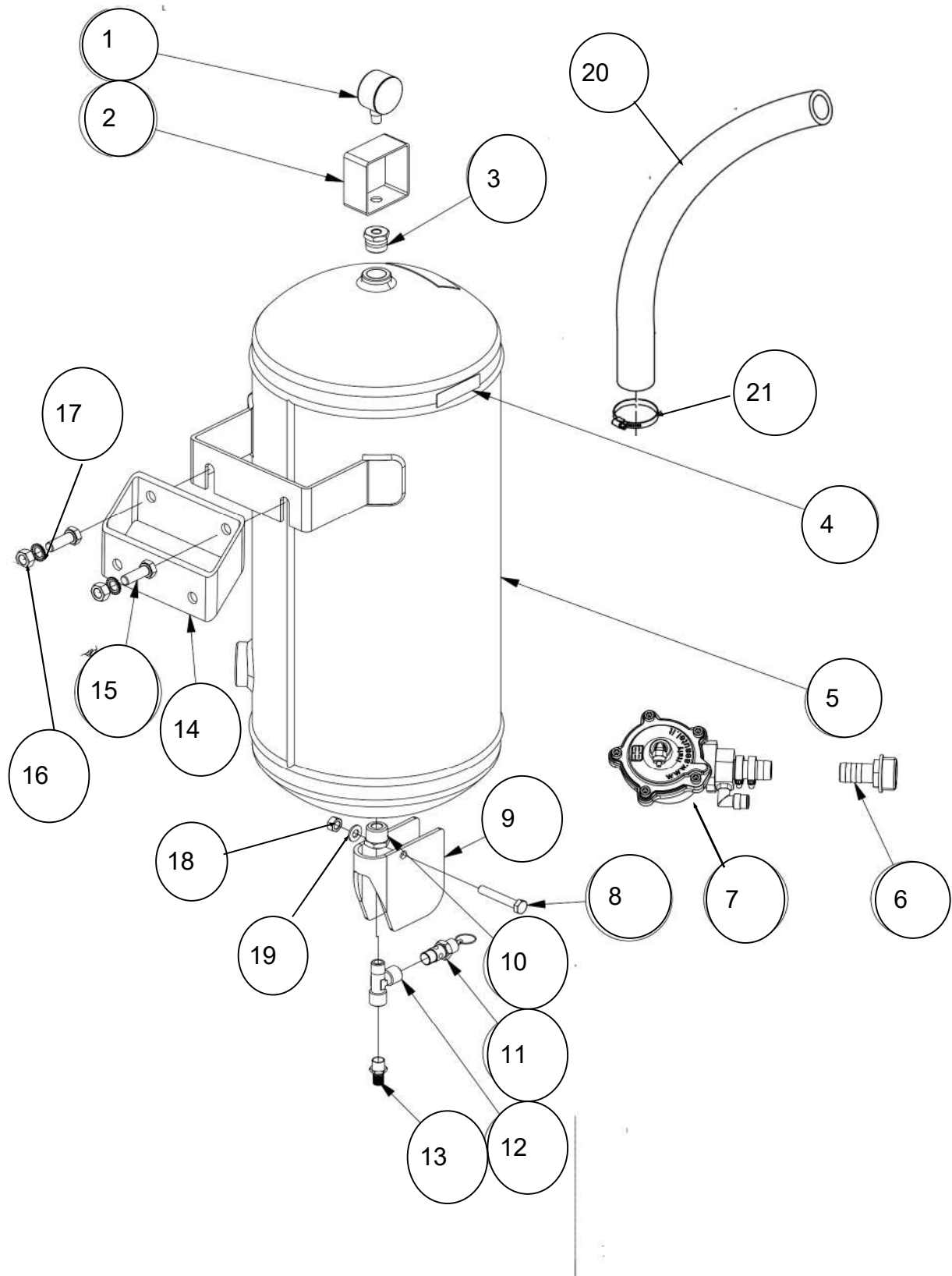
EAA0364G01A Tank used from 04/2023 (TxxDSxxx)

Items 6, 7, 8 and 25 not included in Assembly

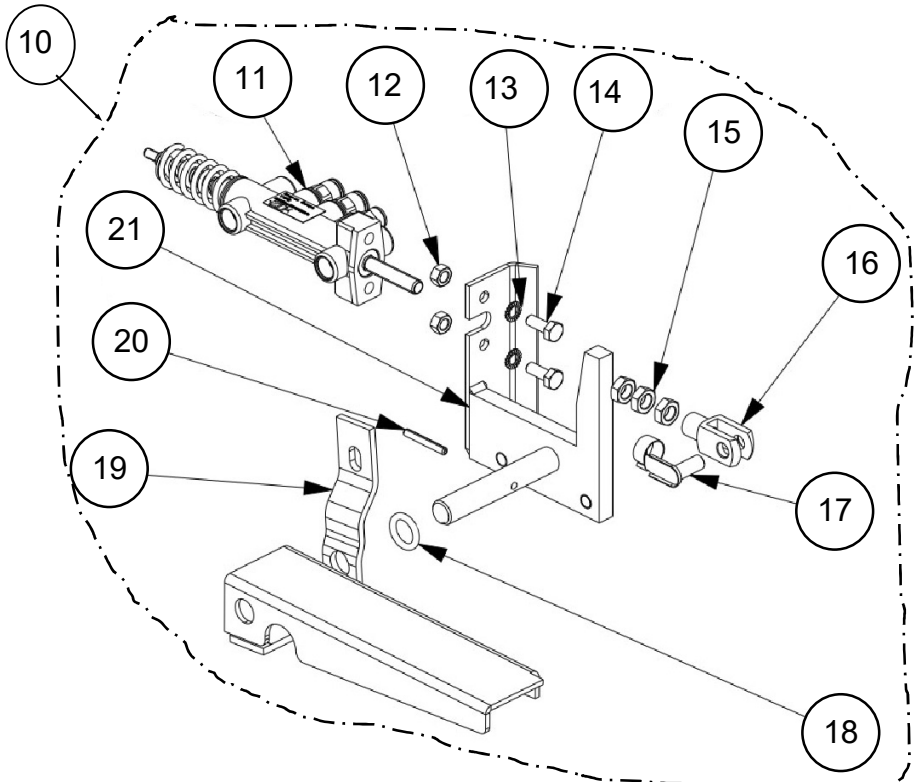
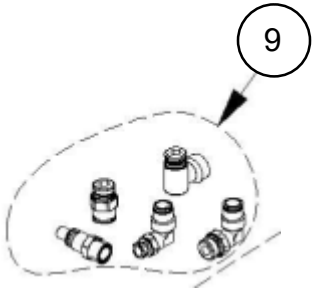
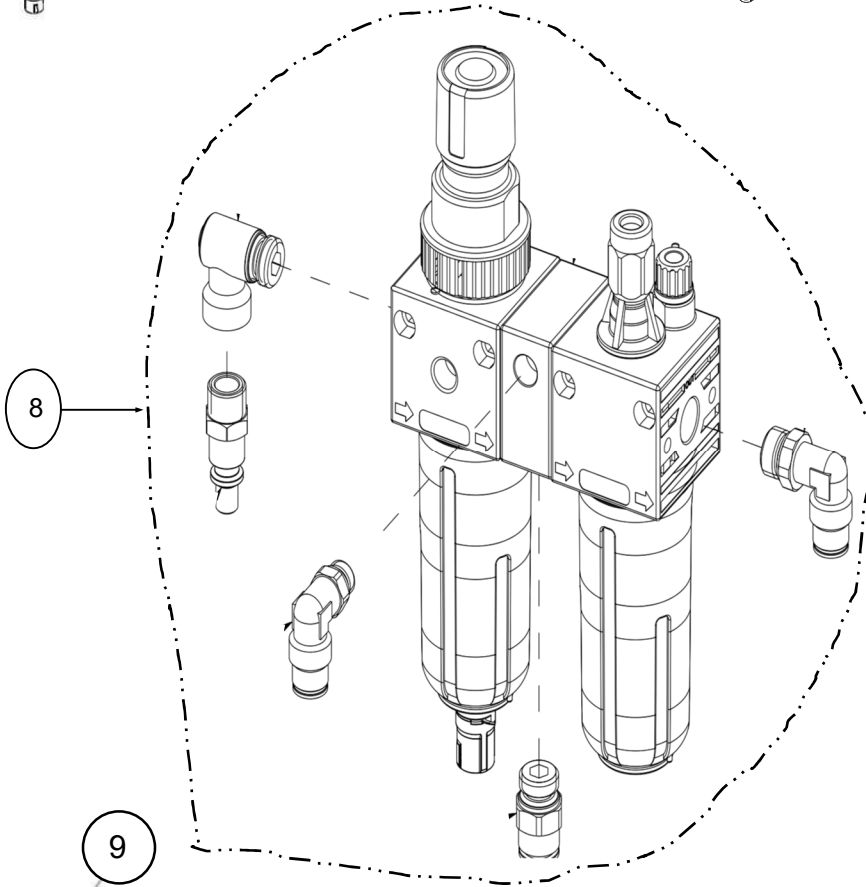
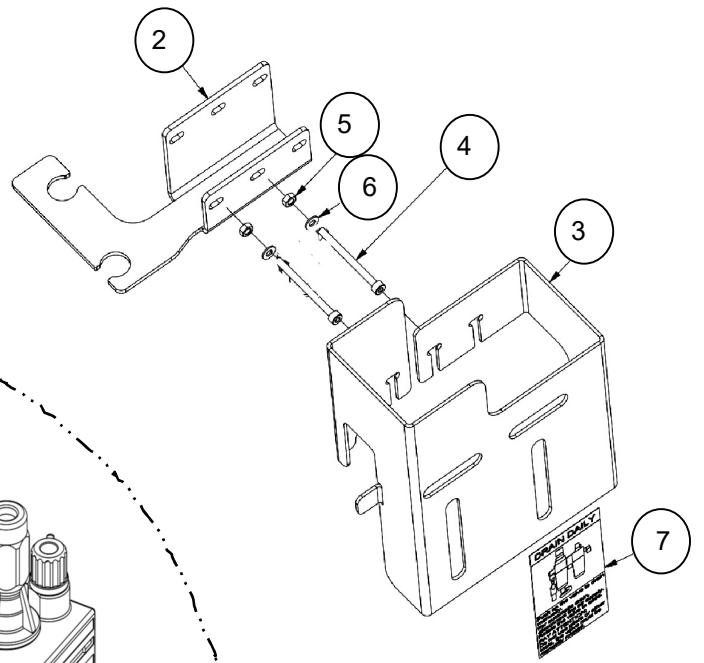
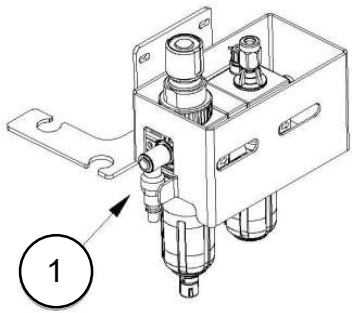


REF	QTY	PART NUMBER	DESCRIPTION
Ref	Qty	Part Number	Description
1	1	EAS2089G67A	Air Tank, CE/UKCA, Black Painted
2	mr	2072705	Hose, Air sold by the meter
3	1	8-06120A	Manometer D.40
4	1	EAM0074G01A	Protection, Manometer
5	1	1-12579A	Straight, Fitting MF 1/2"-1/8"
6	4	1-34501A	Screw 10 mm - 1.5 x 30
7	4	1-15433	Nut M10 x 8 mm
8	4	13148	Washer M10 Ext Shakeproof
9	1	EAM0075G29A	Clip Locking Hose
10	1	EAM0071G99A	1" Hose Fitting
11	1	1-16579A	Conic 1" Nipple
12	1	1-29581A	1" Valve, Air-Controlled
13	mr	5-06435A	Hose Air 4 x 6 sold by the meter
14	1	1-17179A	Fitting 90Deg 4 x 6mm 1/4"
15	1	1-16679A	Adapter MF 1/2-1/4"
16	1	1-31381A	Valve ASME Safety 1/4" BSPT
17	1	1-16779A	Fitting, Crossed FFFM 1/4"
18	1	1-16879A	Fitting Straight 6 x 8 1/4"
19	1	1-29481A	Tap, Condensed Water
20	mr	5-06335A	Hose, Air 6 x 8 sold by the meter
21	1	1-11733A	Nut M8, Blk
22	1	1-10041	Washer D.8
23	1	EAM0074G02A	Protection
24	1	1-39901A	Screw M8 x 50
25	1	EAS2116G23A	Support Tank

Tank Assembly used up to 03/2023 (TxxCSxxx)



REF	QTY	PART NUMBER	DESCRIPTION
1	1	8-06120A	MANOMETER D. 40
2	1	EAM0074G01A	FITTING , SUPPORT M1"-20
3	1	1-12579A	STRAIGHT. FITTING MF 1/ 2" - 1 / 8
4	1	EAL0408G18A	MAX PRESSURE STICKER
5	1	EAS2089G67A	TANK - INFLATOR 24LT 'CE ' BLACK PAINT
6	1	EAM0071G99A	FITTING SUPRT M1 20-13157
7	1	EAA0351G06A	ASSEMBLED GT VALVE FOR NA
8	1	1-39901A	M8X50 SCREW DIN 933
9	1	EAM0074G02A	PROTECTION
10	1	ST0019155	FITTING MF 3/8 BSP-1/4 NPT
11	1	1-31381A	VALVE ASME SAFETY 1 / 4 BSPT
12	1	1-19079A	"T" FITTING 1/4 MFF
13	1	1-29481A	TAP. CONDENSED WATER
14	1	EAS2116G23A	TANK SUPPORT BLACK
15	4	1-34501A	M10X30 SCREW 8G
16	4	1-15433	NUT M10 YELLOW ZINCKED DIN 934
17	4	1-1348	EXT.SHAKEPROOF
18	1	1-11733A	NUT-HEX M8 BLK
19	1	1-10041	WASHER D.8
20	BTM	2072705	HOSE HIGH PRESSURE RUBBER



REF	QTY	PART NUMBER	DESCRIPTION
1	1	EAA0489G30A	LUBRICATOR FILTER GROUP
2	1	EAS2201G16A	FILTER/LUBRICATOR BRACKET WITH HOSE HOUSING
3	1	EAS2201G26A	LUBRICATOR FILTER PROTECTION
4	2	1-14309A	SCREW, 4X50 8.8 BLK UNI 5931-67
5	2	1-11433A	NUT, HEX M4
6	2	1-9641	PLAIN WASHER D4MM
7	1	EAL0467G90A	LABEL, INSTRUCTION TO DRAIN CONDENSATION
8	1	EAA0439G90A	FILTER+NPT LUBRIC. GAS REDUCER AIR IN LEFT
9	1	EAK0315G99A	FITTINGS KIT FOR FILTER
10	1	EAA0384G14A	QR GT PEDAL WITH ENDSTROKE
11	1	ST4029115	VLVE,BD INFLATNG
12	2	1-11633A	NUT-M6 X 5.2 BLK
13	2	1-1548	WASHER-6MM SP-PURCH
14	2	ST7104119	SCREW 6X16 8G
15	3	1-15933A	NUT-HEX 8M-1.25
16	1	1-02655A	CLIP M8
17	1	1-02955A	PIN-CLIP
18	1	8-19514A	O-RING SEAL 4055 13.87X3.53
19	1	ST4029114	INFLTR BD BLST PED EAS2068G87A
20	1	ST7023119	PIN-STRAIGHT SLOTTED 4 X 30
21	1	EAS2134G52A	GT PEDAL SUPPORT

REF	QTY	PART NUMBER	DESCRIPTION
1	1	EAA0410G56C	KPA/PSI TOOL STORAGE BOX W/SUPPORT
2	1	EAA0481G30A	HOSE INFLATION WITH CHUCK AND FITTINGS
3	1	1-28579A	INFLATING STRAIGHT CLIP CHUCK – 1/4"
4	2	1-03482A	HOSE CLAMP
5	1	EAH0049G13A	TIRE GUN TUBE
6	1	1-12079A	FITTING - AIR 1/8 D.7
7	1	1-11479A	FITTING - L 6X8 1/8
8	1	1-11779A	FITTING, STRAIGHT, M/F 1/4" L.36MM
9	1	EAC0078G59A	BODY BLEEDER VALVE
10	1	ST4029392	PIPE W/MNMTR DMPER-EAA0356G06A
11	4	1-20423	SELF TAPPING SCREW D4,2X13
12	1	EAS2089G49A	COVER, FOR BOX, BLACK PAINTED
13	1	8-06820A	PRESSURE GAUGE PSI / KPA
14	1	EAA0328G57A	BLEEDER VALVE
15	1	EAM0043G64A	WASHER, BLEEDER VALVE
16	1	EAA0364G72A	TOOL STORAGE BOX
17	1	EAA0490G75A	HOOK FOR INFLATING CHUCK
18	1	1-11733	NUT M8
19	BTM	5-06335A	HOSE RISLAN 8X6 BLACK 2208004
20	3	1-18702A	SCREW FILLISTER HEAD MACH M8X20
21	3	1-17841A	WASHER D. 8X24, BLK
22	1	EAA0329G98A	TOOL BOX SUPPORT, FINISHED
23	2	1-17709	SCREW TCEI 8X20 8G
24	2	1-3048	WASHER SHAKEPROOF D8 BLK.
25	2	1-10041	WASHER D.8



Notice: The information contained in this document is subject to change without notice. Snap-on Equipment makes no warranty with regard to this material. Snap-on Equipment shall not be liable for errors contained herein or for incidental consequential damages in connection with furnishings, performance, or use of this material.

This document contains proprietary information which is protected by copyright and patents. All rights are reserved. no part of this document may be photocopied, reproduced, or translated without prior written consent

Snap-on Equipment
309 Exchange Ave.
Conway, Ar 72032
501-450-1500