



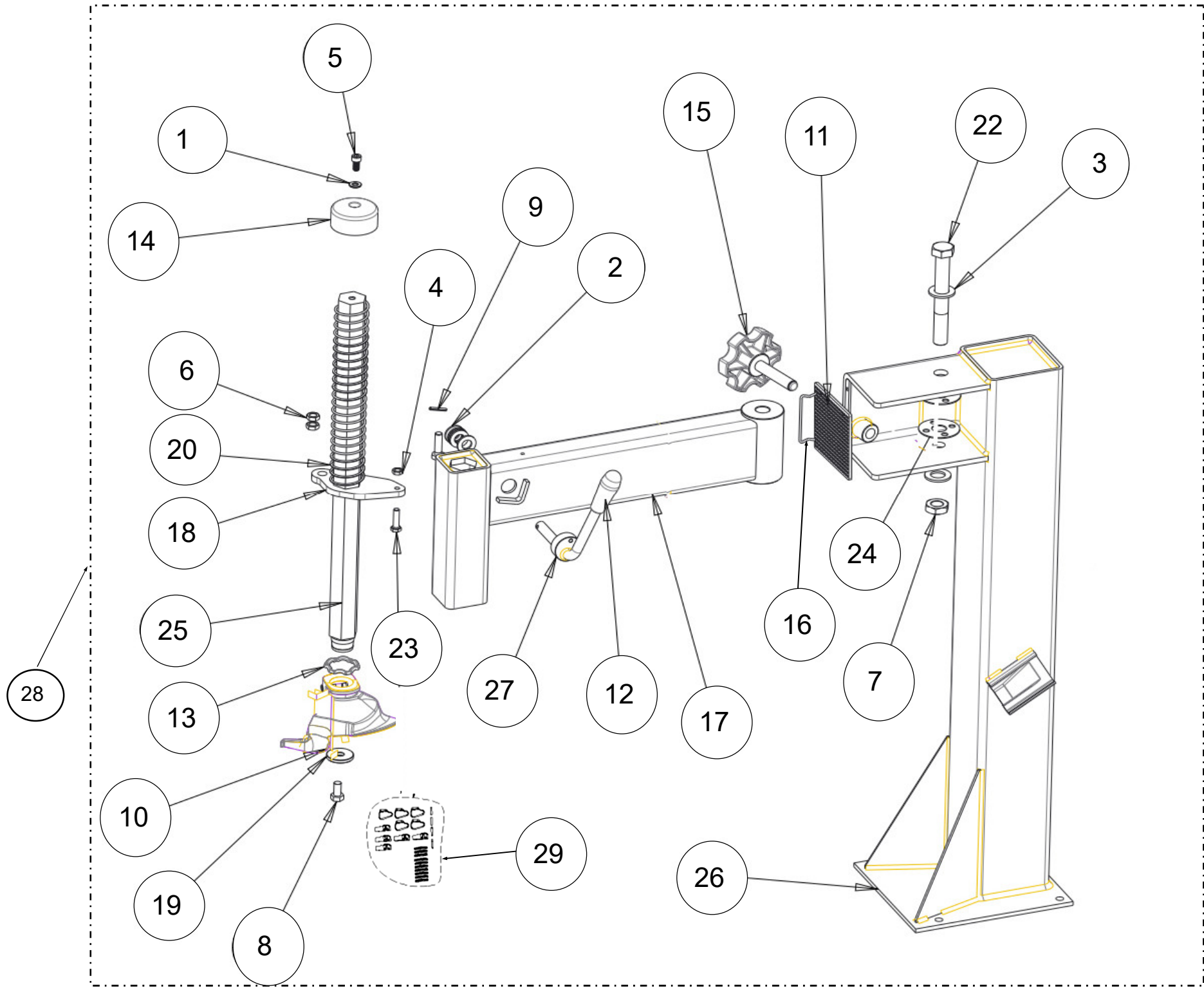
**EEWH312AC
CSA SWING ARM
PNEUMATIC ELECTRIC
TIRE CHANGER**



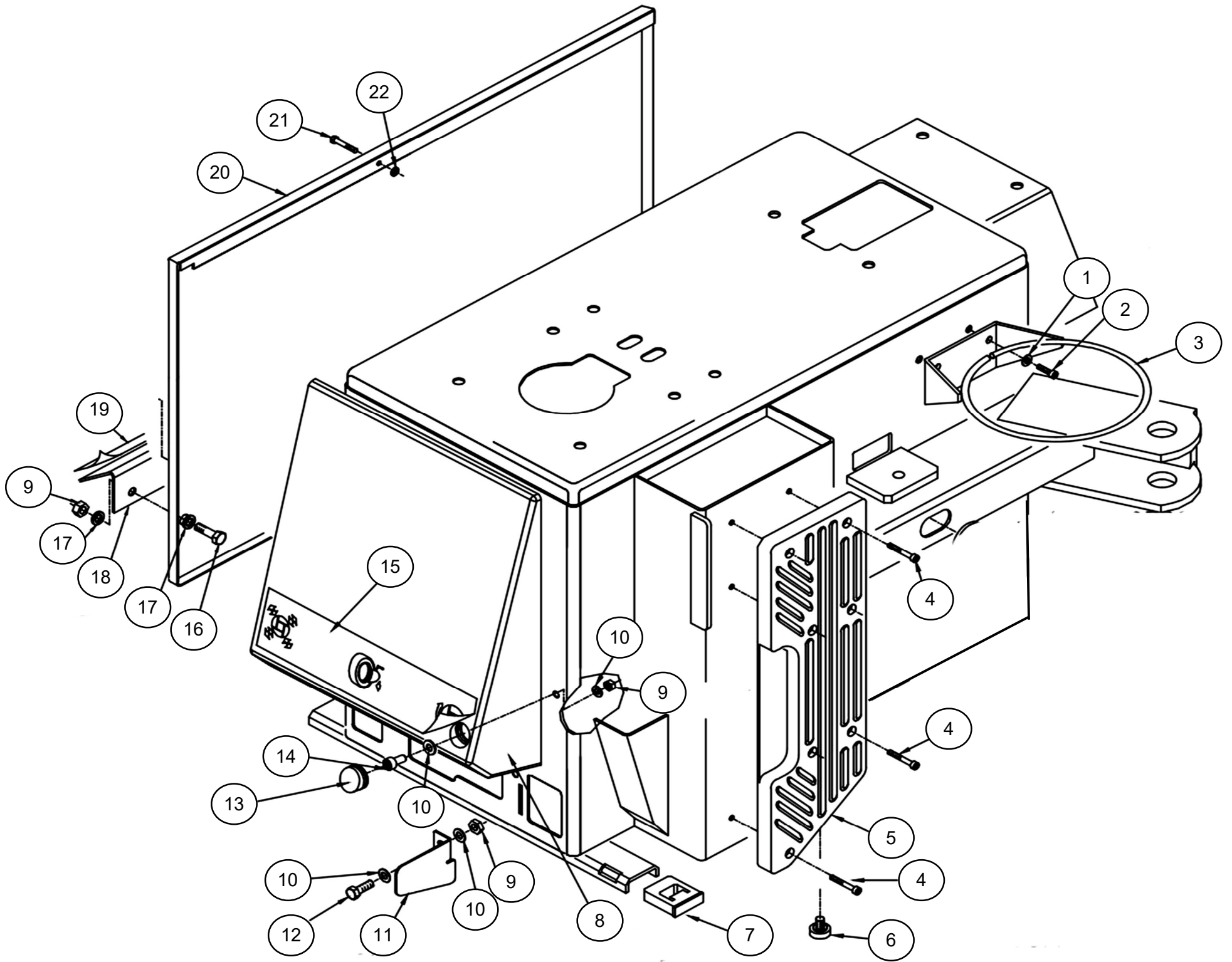
EEWH312AC PARTS MANUAL

EEWH312AC BOM

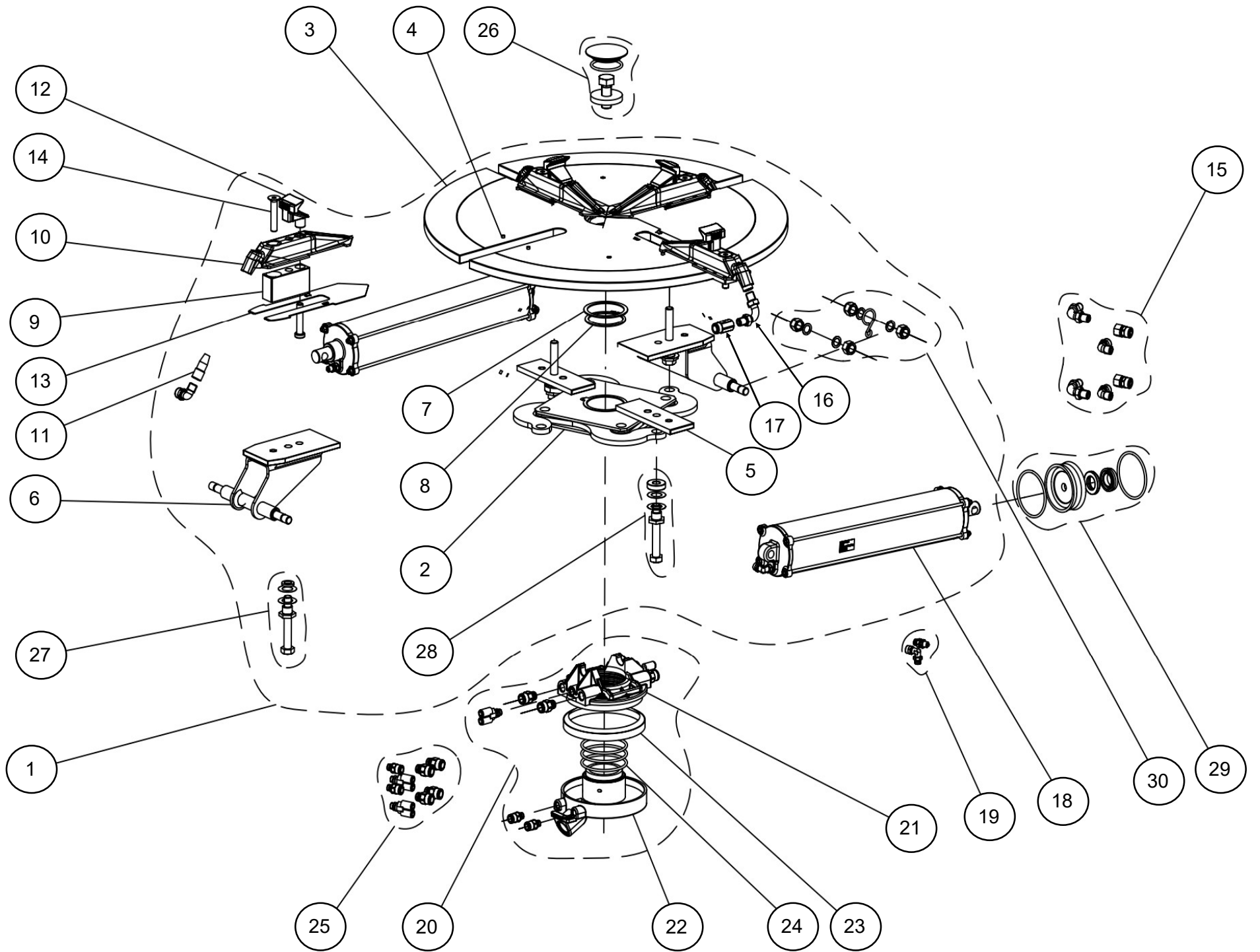
PART NUMBER	DESCRIPTION	PART NUMBER	DESCRIPTION
EAA0270J70A	TC ASSY-EEWH312AC- CSA	EAL0343J76B	SERIAL LABEL DOCUMENT
EAL0467G92A	DECAL TC LEVER WARNING	24212	PLACARD DANGER TC ENG SPANISH
ZEEWH312AU9	LIT PACK EEWH312A	24229	LABEL-SERVICE (B)
EAL0408G12A	LABEL PATENTS (33772)	EAL0392J89A	LABEL-CUST SVC JBC
EAL0413G31A	LABEL GROUND 8453	EAL0408G25A	LABEL PRESSURE MIN MAX 16352
EAC0100G55A	LABEL SEALING HOLE (8715)	EAC0103G11A	PEDAL SPACER
EAL0408G24A	LABEL OIL (10724)	8-03664A	SKID - LARGE T/C
EAL0352J15A	LABEL-SNAP-ON, WHITE - 11 IN	EAA0247G02A	TIRE MOUNTING BAR
EAL0352J12A	LABEL-SNAP-ON S WHITE	EAM0043G53A	PIN M5 HEXAGONAL SKT- 30950
EAL0408G43A	LABEL DANGER (B) 17691	EAC0113G61A	RIM PROTECTOR PLASTIC
EAL0408G45A	LABEL ROTATION DIRECTION 22187	EAC0078G13A	BACK PLSTC RIM PROTECTOR-30580
EAL0408G21A	LABEL DRAIN (22188)	5-14126A	BRUSH TIRE LUBE APPLICATOR
EAL0413G34A	LABEL INFLATOR 22669	8-03229A	LUBRICANT-TIRE MOUNTING 75N
EAL0412G13A	STICKERS PEDAL - 22672		



REF#	QTY	PART NUMBER	DESCRIPTION	REF#	QTY	PART NUMBER	DESCRIPTION
1	1	1-10041	WASHER D.8 UNI6592-69/DIN125	18	1	EAM0010J35A	PLATE-ROD, LOCKING
2	5	1-10341	WASHER - D.14	19	1	EAM0032G02A	WASHER TOOL BLOCKAGE
3	2	1-10641	WASHER, M20 TH.3 ZINC	20	1	EAM0032G33A	SPRING RECALL ROD,
4	1	1-15933A	NUT - HEX, M8 X 1.25 DIN 936, UNI5589	22	1	EAM0067G25A	SCREW SWING ARM
5	1	1-17609A	SCREW - SHC, 8M X 16	23	1	EAM0067G26A	SCREW HEXAG. HEAD
6	2	1-19633B	NUT- M10 6S BLK UNI5589-65	24	2	EAM0067G29A	WASHER ADJUSTMENT
7	1	1-21633A	NUT M20 6S	25	1	EAM0067G36A	ROD, VERTICAL
8	1	1-44901A	SCREW-HHMS M10 X 20MM	26	1	EAS2141J02A	TOWER WLDMT
9	1	1-6452	PIN, STRAIGHT SLOTTED D4X26	27	1	EAS2108G36A	LEVER, REGISTER
10	1	EAA0329G95A	MOUNTING DEMOUNTING	28	1	EAA0270J41A	SWING TOWER ASSEMBLY
11	1	EAC0060G41A	GUARD-POLE PVC	29	1	EAA0372G24A	PROTECTION KIT
12	1	EAC0078G04A	RUBBER HANDLE	N/S	1	EAL0383G31A	LABEL DANGER 14513
13	1	EAC0094G01A	SHOCK ABSORBER- ROD	N/S	1	EAL0408G18A	STICKER-MAX PREASSURE (B) 17018
14	1	EAM0140G92A	COVER, SPRING	N/S	1	EAL0408G21A	LABEL DRAIN (22188)
15	1	EAA0270J79A	ADJUSTMENT SCREW	N/S	1	EAL0408G78A	LABEL, INDIVIDUAL PROTECTION DEVICES
16	1	EAM0006G49A	CLIP-GUARD	N/S	1	23179	LABEL DANGER PELIGRO
17	1	EAM0010J30A	SWING ARM	N/S	1	16510	LABEL DANGER

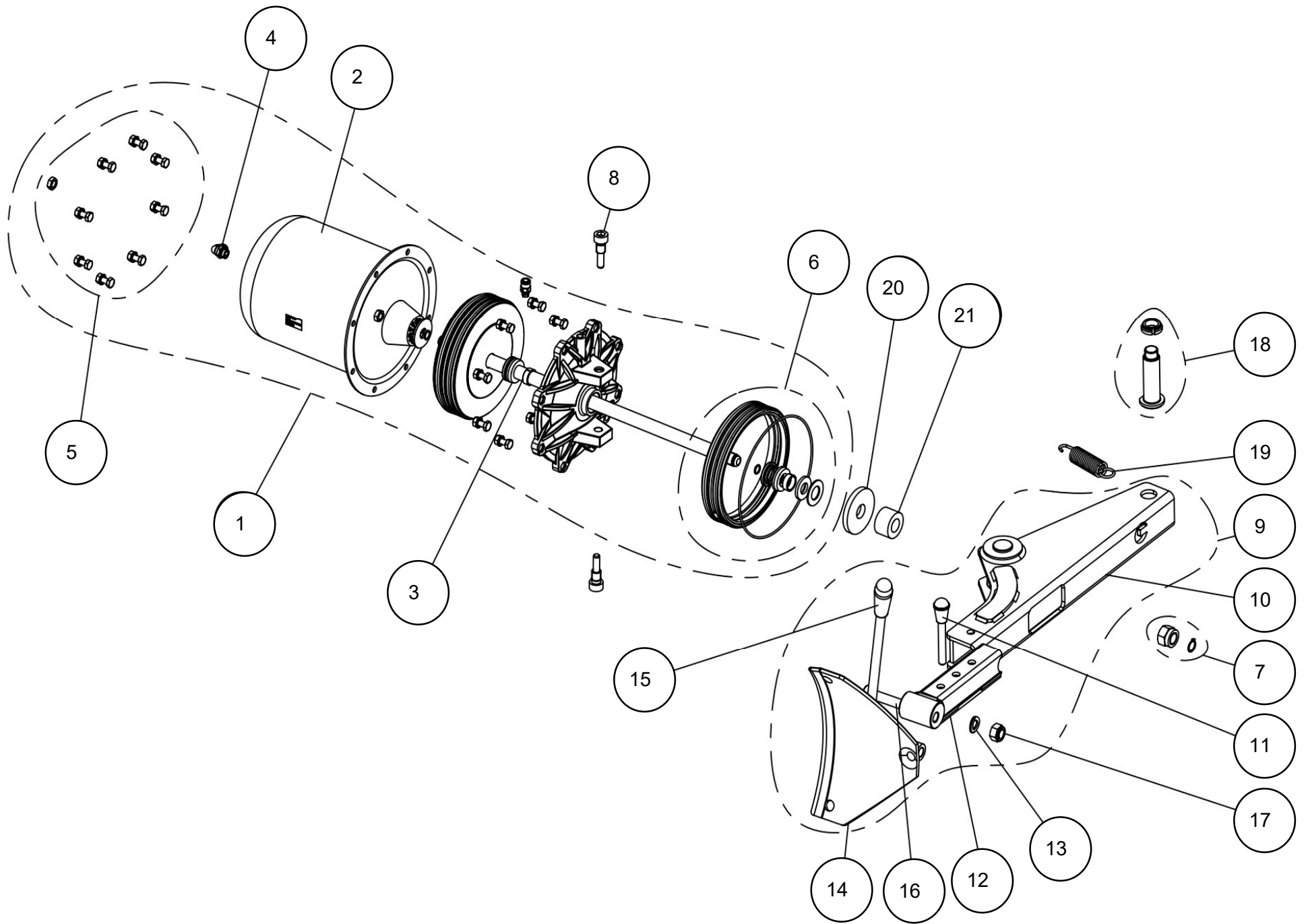


REF#	QTY	PART NUMBER	DESCRIPTION	REF#	QTY	PART NUMBER	DESCRIPTION
1	2	1-9641A	WASHER - FLAT 4MM	12	2	1-32501A	HHCS M8 X 20
2	2	1-11633A	NUT-M6 X 5.2 BLK	13	2	EAC0087G80A	CUP, FOR LONG PEDALS PROTECTION
3	1	EAA0349G76A	RING SUPPORT	14	2	1-17609A	M8 SCREW
4	7	1-16409A	SCREW TCEI 6X20 8G	15	1	EAL0412G13A	STICKERS PEDAL - 22672
5	1	EAC0099G22A	BEAD BRAKER PAD	16	2	1-32501A	HHCS M8 X 20
6	1	EAC0078G03A	CIRCLAR FOOT	17	4	1-17841	WASHER - D. 8X24
7	4	EAC0097G52A	FLAT FOOT	18	1	EAS2115G83A	PEDAL PROTECTION
8	1	EAC0087G79A	LONG , PEDALS PROTECTION	19	1	EAL0413G34A	LABEL INFLATOR 22669
9	2	1-11733A	NUT M8 UNI5588-65/DIN934	20	1	EAS2029J62A	SIDE PANEL
10	4	1-10041	WASHER D.8 UNI6592-69/DIN125	21	1	1-32601	SCREW TE 8X20 8.8
11	1	EAS2100G95A	PEDAL PROTECTION	22	1	1-9641A	WASHER - FLAT 4MM

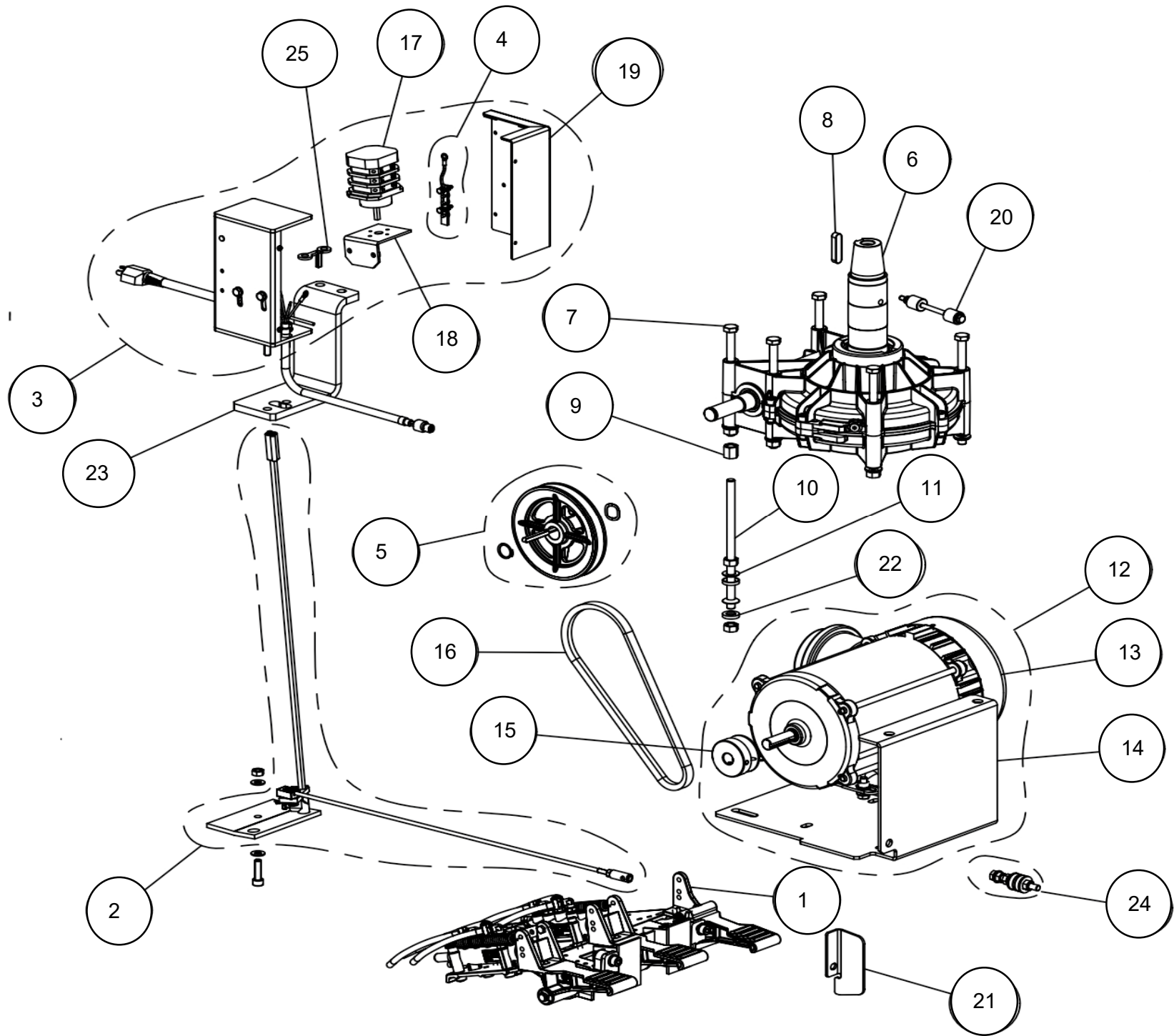


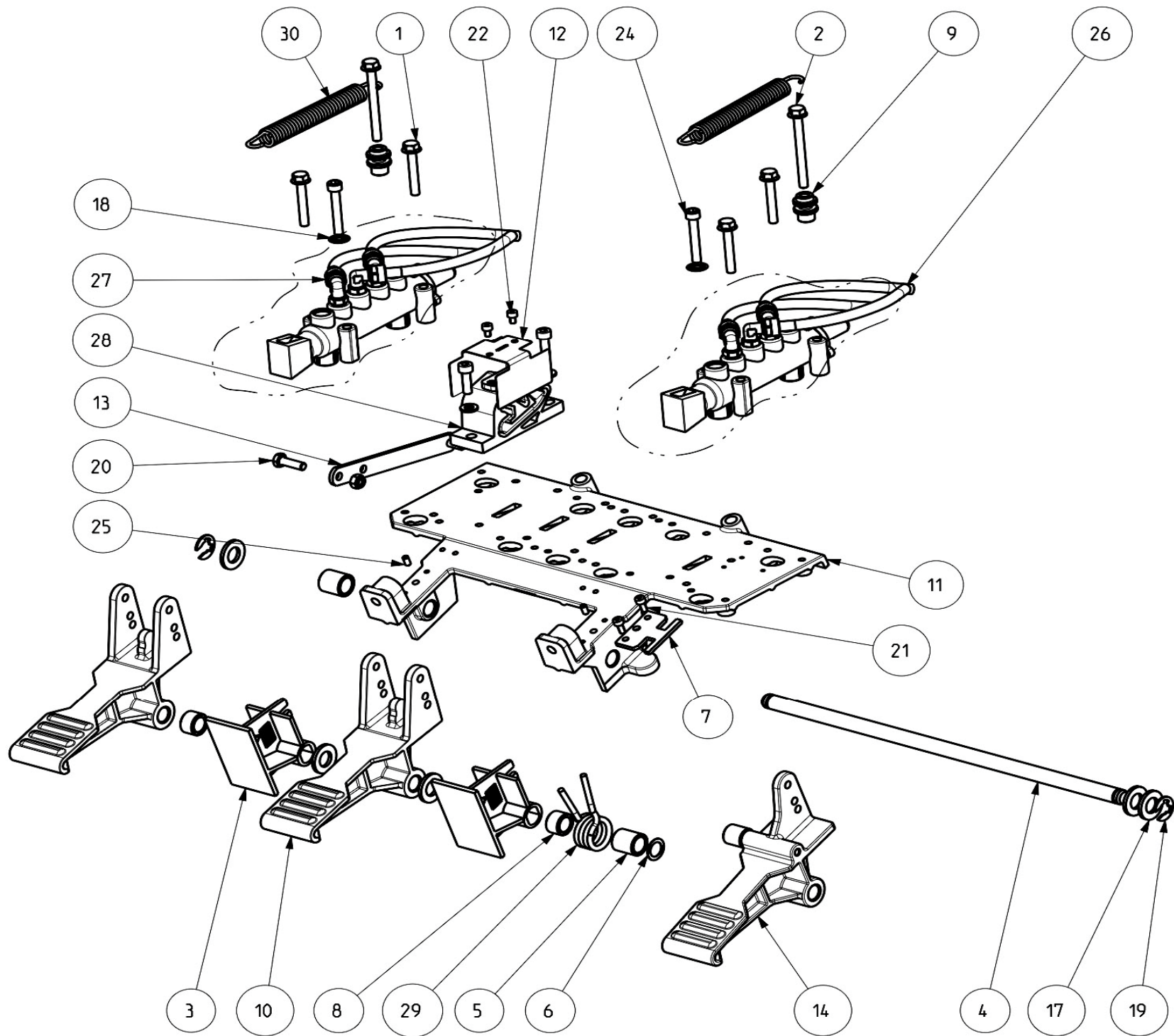
REF#	QTY	PART NUMBER	DESCRIPTION	REF#	QTY	PART NUMBER	DESCRIPTION
1	1	EAA0410G40A	TURNTABLE CENTER TYPE GT 20	15	1	EAK0330G32A	GT SYSTEM FITTINGS KIT
2	1	EAA0351G73A	CLAMPING PLATE	2	2	EAM0051G83A	PIPE FOR BS CLAMP
3	1	N/A	TOURNTABLE 20" CENTER TABLE	2	2	1-14379A	CONNECTION L 1/4" 8x10
4	8	1-25952A	PIN DOWEL 5x10 UNI EN 28734	2	2	1-27379A	F.STRAIGHT FITTING 8x10 1/4"
5	2	EAM0053G12A	PLATE	16	2	EAM0051G83A	PIPE FOR TERMINAL-ST0026903
6	2	EAA0377G80A	BRACKET FOR CYLINDERS	17	2	1-27379A	FITTING HOSE STR 10/8 1/4 FEM
7	1	EAM0051G85A	WASHER 72X60X1.5 0013015	18	2	EAA0410G31A	CYLINDER, TURNTABLE
8	1	1-18677A	SNAP RIGN EXT 60MM	19	1	EAK0330G35A	TT CYLINDER FITTINGS KIT
9	4	EAM0053G13A	JAW SUPPORT	2	2	1-18879A	FITTING - L 4X6 1/8"
10	4	EAS2153G92A	BEADS SEATER CLAMP	2	2	1-27179A	STRAIGHT FITTING 4X6 1/8"
11	2	1-14379A	CONNECTION L 1/4 8x10 (6894)	20	1	EAA0304G69A	REVOLVING MANI, TUBELESS INFLATOR
12	4	EAM0043G54A	JAW FOR CENTER TYPE V2-	21	1	ST4015870	RING, OUTER - MANIFOLD
13	4	EAS2096G35A	CLAMP GUIDE	22	1	ST4013171	RING-INSIDE, WITH SUPPORTS
14	4	1-25903A	SCREW UNI5933-67 M10x55 CI.	23	1	EAC0087G50A	SEAL TUBELESS INFLATOR-FRONT
				24	3	8-10814A	SEAL OR D.69.44X3.53

REF#	QTY	PART NUMBER	DESCRIPTION	REF#	QTY	PART NUMBER	DESCRIPTION
25	1	EAK0330G28A	REVOLVING MANIFOLD FITTINGS KIT	28	2	EAK0317G20A	SCREWS AND BOLTS FOR CLAMPS
	4	1-14679A	RAPID CONNECTOR 1/4" Ø10 ART.6510 CAM		1	EAM0053G07A	ECCENTRIC FOR SLIDING ROD
	2	1-13579A	FITTING "Y" 4X6 1/8"		1	1-54509A	HEX SCREW M10X50MM LOW PROFILE
	2	1-11379A	FITTING 4X6 1/8"		2	EAM0051G74A	WASHER 30X17X0.3
26	1	EAK0306G25A	TURNTABLE FIXING KIT		1	EAM0053G09A	SLIDING ROD SPACER
	1	EAC0087G47A	PROTECTION-TURNTABLE	29	2	EAK0317G36A	SEAL SP FOR ROUND CYLINDER
	1	EAS2092G32A	WASHER		1	EAC0087G45A	DOUBLE GASKET
	1	8-11714	O-RING		1	EAC0078G10A	RETAINER-SEAL
	1	1-51101A	SCREW		1	8-09614	SEAL, LIP ID20, OD36 TH8MM ON SHAFT
27	2	EAK0317G19A	SCREWS AND BOLTS FOR CLAMPS		2	8-11614A	OR ØEXT 75 OR 171
	1	EAM0053G07A	ECCENTRIC FOR SLIDING ROD	30	1	EAK0306G27A	SCREWS AND BOLTS FOR TURNTABLE CYL.
	1	1-54509A	HEX SCREW M10X50MM LOW PROFILE		4	1-19933A	NUT M12
	2	EAM0051G74A	WASHER 30X17X0.3		4	1-24641A	WASHER Ø12,2X18X1 DIN 988
					1	EAM0051G88A	AIR PIPE HOOK

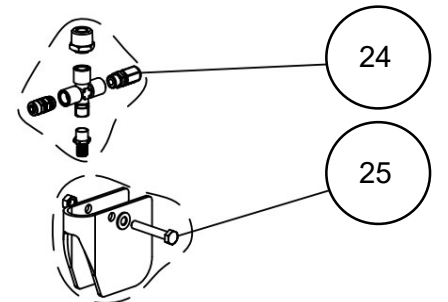
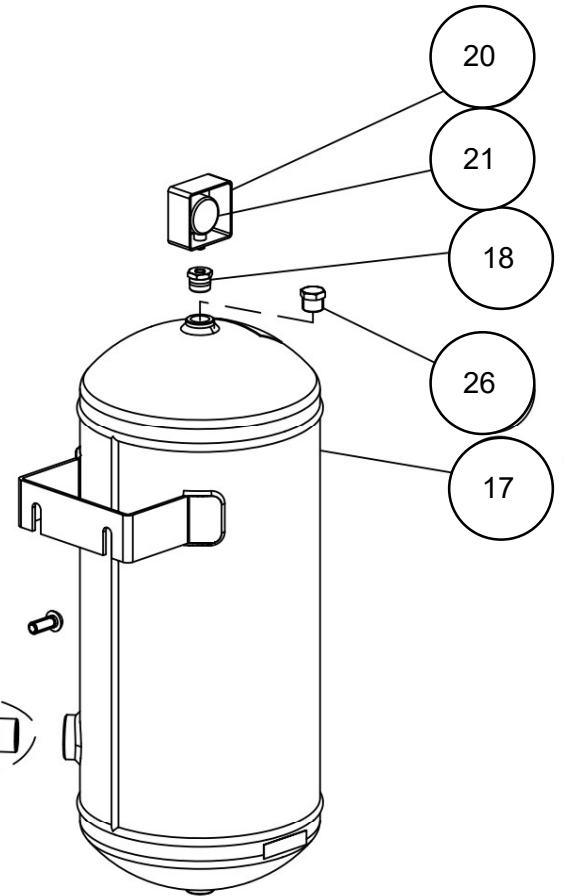
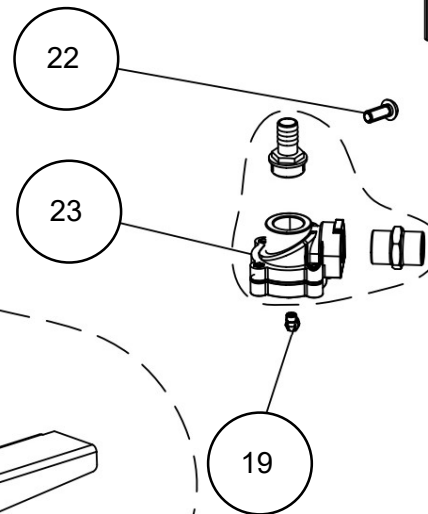
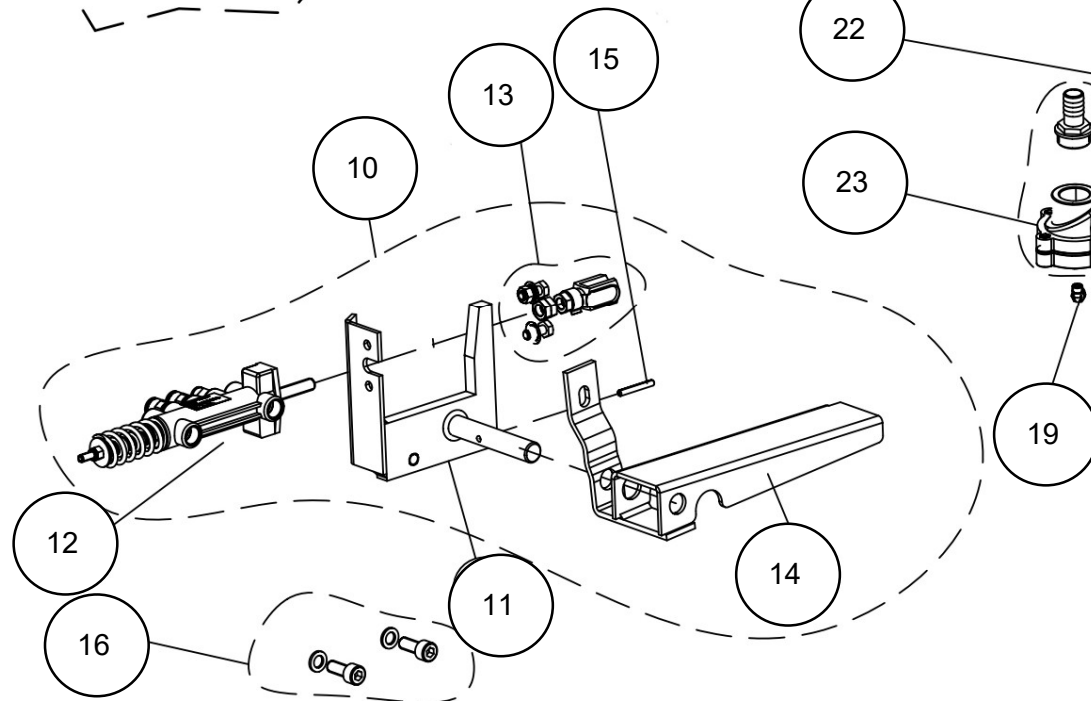
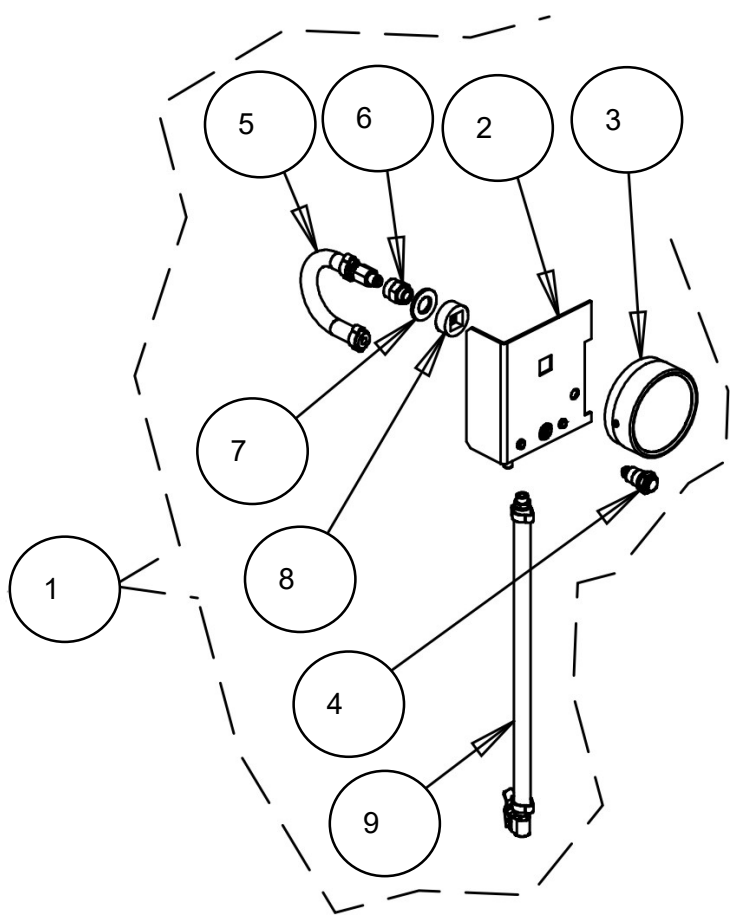


REF#	QTY	PART NUMBER	DESCRIPTION	REF#	QTY	PART NUMBER	DESCRIPTION
1	1	EAA0329G49A	CYLINDER, BEAD BREAKER	8	1	EAM0067G34A	SCREW,FITTING- CYLINDER B/BREAK
2	1	EAS2068G62A	CYLINDER CHAMBER	9	1	EAA0338G44A	BEAD BREAKER EXTENSIBLE
3	1	EAM0048G05A	ROD BEAD-BREAKER CYLINDER	10	1	EAS2108G27A	ARM SUPPORT, BEAD-BREAKER
4	1	1-20179A	FITTING "L" 6X8	11	1	EAA0328G72A	PIN - LOCK
5	1	EAK0306G16A	SCREWS & BOLTS FOR B BREAKER	12	1	ST4022408	EXT-ARM BEAD BRKR EAS2087G90A
8		1-32601	SCREW HEX HEAD MACHINE 8x20	13	1	ST7021329	WASHER 14MM
8		1-1748	WASHER SHAKEPROOF D8	14	1	ST4021305	BLADE, BD. BREAKER-EAS2087G93A
8		1-11733	NUT M8 6S STAND WHITE ZINC	15	1	EAC0078G04A	HANDLE-RUBBER
6	1	EAK0306G19A	SEALS FOR BEAD BREAKER CYL.	16	1	1-22609	SCREW TCEI M14X110 8.8
2		8-10114A	SEAL - LIP N d.184	17	1	ST7020409	NUT-S LOCK LOW-M14(1-10433)
1		EAC0078G35A	RING- PLASTIC	18	1	EAK0306G20A	FULCRUM KIT FOR BEAD BREAKER ARM
2		EAC0078G34A	RING-PISTON, BEAD BREAKER	1		EAM0086G16A	BEAD-BREAKER ARM PIN
1		8-10014A	O-RING I.D.183,82X2,62	1		1-02138A	NUT RING M20
1		8-09614	SEAL, LIP ID20, OD36 TH8mm ON SHAFT	19	1	EAM0067G69A	SPRING-RECALL ARM, BEAD BREAKER
1		EAC0078G10A	RETAINER-SEAL	20	1	EAM0067G33A	WASHER,SUPPORT-BEAD BREAKER
1		EAC0078G18A	RING FOR ROD GUIDE D.20	21	1	EAC0097G51A	WASHER-SHOCK MID TIER TC 7564
7	1	EAK0306G23A	FIXING KIT FOR BEAD BREAKER ARM				
1		1-3977	RETAINING RING FOR SHAFTS D16				
1		1-20933A	NUT (LOCK) M18X1.5				

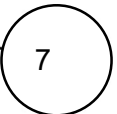
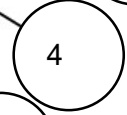
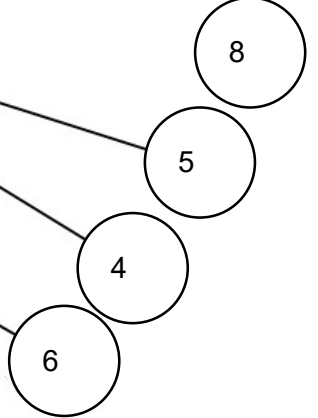
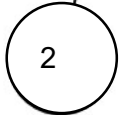
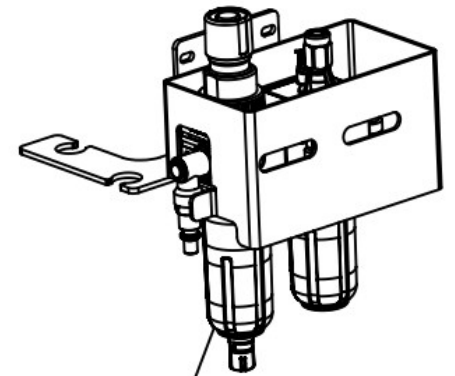
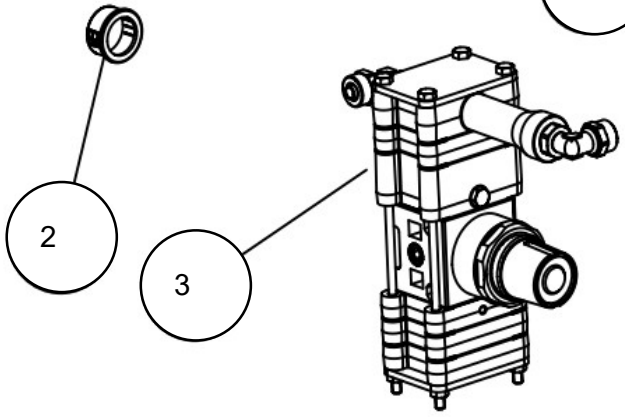
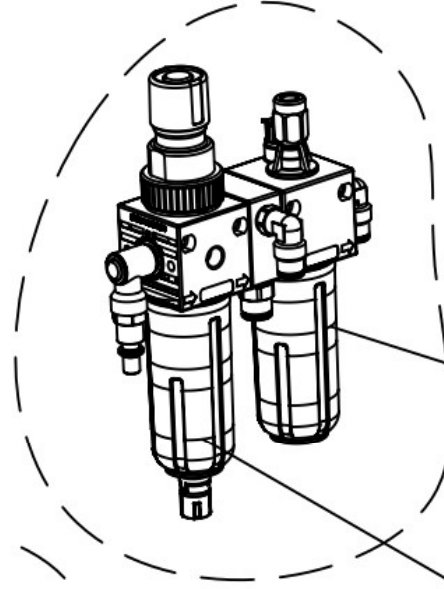
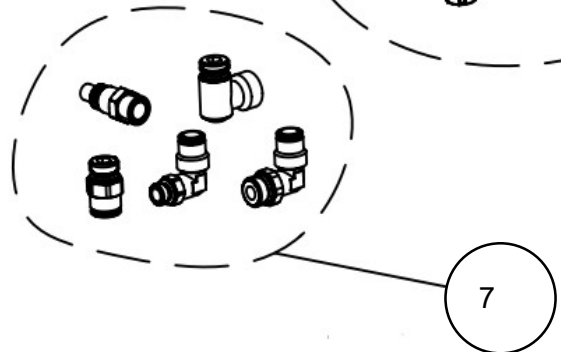
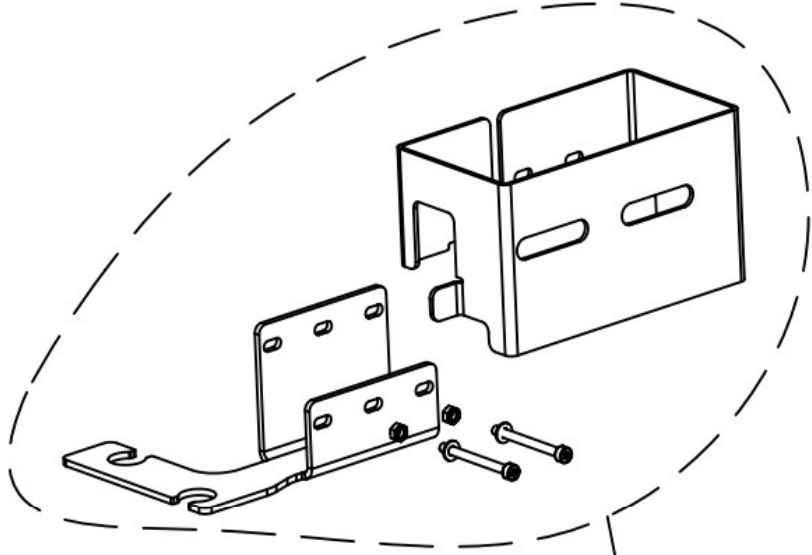




REF#	QTY	PART NUMBER	DESCRIPTION	REF#	QTY	PART NUMBER	DESCRIPTION
1	4	1-12626A	SCREW HEX FLANGE HEAD M6 x 40mm	18	2	1-1548	WASHER, EXT. SHAKEPROOF D6
2	2	1-12726A	SCREW HEX FLANGE HEAD M6 X 65MM	19	2	1-18477A	RETAINING RING 10X1,2MM THK (A2R) BLK
3	2	EAC0096G11A	SPACER-PEDAL	20	1	1-14801A	SCREW, HEX HEAD MACHINE M6X20
4	1	ST0005731	SHAFT-HINGE PEDAL-EAM0068G10A	21	2	1-13409	SCREW, HEX SOCKET CAP HEAD, M4X10 A2J
5	2	EAM0048G79A	BUSHING CENTERING SPRING	22	2	1-46809	SCREW-HSHC M4X6 8.8 -A2J
6	1	1-25241A	SHIM RING D.12.2X18X0.3 MM DIN988	23	2	1-16409	SCREW - HEX SOCKET HEAD CAP DIN 912
7	1	EAM0070G32A	COMMUTATOR SPRING GUIDE	24	2	1-56209A	SCREW, HEX SOCKET HEAD M6X40
8	2	EAM0070G46A	SPACER L=11 MM CENTERING SPRING	25	2	1-38910	SCREW M4X8SET CUP ZP
9	2	EAC0099G82A	SPRING FIXING PAWL	26	1	EAA0440G87A	VALVE ASSY BEAD BREAKER HOSES
10	2	EAM0068G95A	STANDARD PEDAL MACHINED		BTF	ST2618004	6X8 HOSE
11	1	EAM0068G80A	PEDAL ASSY SUPPORT - MACHINED		1	EAA0356G94A	VALVE 6X8 HOSES
12	1	EAS2115G09A	PROTECTION SHEET FOR CAM	27	1	EAA0440G88A	TURNTABLE PEDAL HOSES+VALVE
13	1	EAS2111G73A	ROD POSITIONER PEDAL		1	EAA0356G94A	VALVE 6X8 HOSES
14	1	EAA0356G92A	RIGHT SWITCH FOOT PEDAL		BTF	ST2618004	6X8 HOSE
15	1	1-9933	NUT, PREVAILING TORQUE M6	28	1	EAC0103G56A	FOOT PEDAL CAM
16	2	1-9841	WASHER, PLAIN D6 ZINC.UNI6592-69	29	1	EAM0075G56A	SPRING, PEDAL SWITCH 2 SPEED
17	5	1-10241A	WASHER, ISO 7089 (DIN 125A)	30	2	EAM0147G64A	SPRING RECALL PEDALS



REF#	QTY	PART NUMBER	DESCRIPTION	REF#	QTY	PART NUMBER	DESCRIPTION
1	1	EAA0332G46A	STD INFLATOR ASSY	17	1	EAS2089G67A	TANK - INFLATOR
2	1	ST0015865	MONOMETER SUPPORT	18	1	1-12579A	STRAIGHT,FITTING MF 1/2"-1/8"
3	1	EAA0332G41A	PSI / KPA MANOMETER	19	1	1-17179A	ELBOW FITTING "L" 4X6 1/4"
4	1	EAA0328G57A	VALVE	20	1	EAM0074G01A	PROTECTION, MANOMETER
5	1	ST4029392	PIPE W/MNMTR DMPER-EAA0356G06A	21	1	8-06120A	MANOMETER-RADIAL 0-16 D.40
6	1	1-11879A	REDUCTION	22	2	1-58409A	SCREW M12x30 ISO 7380 (B)
7	1	1-10341	D.14 WASHER	23	1	EAK0306G44A	ASSY, VALVE FOR GT NOZZLE
8	1	N/A	PLASTIC WASHER		1	1-16579	CONIC 1" NIPPLE
9	1	EAA0481G30A	INFLATION HOSE ASSEMBLY		1	EAM0071G99A	1" HOSE FITTING
10	1	EAA0384G14A	GROUP, BEAD INFLATING PEDAL		1	1-29581A	1" VALVE, AIR-CONTROLLED
11	1	EAS2134G52A	GT PEDAL SUPPORT	24	1	EAK0306G44A	FITTINGS FOR GT NOZZLE
12	1	EAA0329G75A	VALVE, BEAD INFLATING		1	1-31381	VALVE ASME SAFETY 1/4 BSPT
13	1	EAK0306G32A	SCREWS AND BOLT FOR GT VALVE		1	1-16679A	ADAPTER MF 1/2-1/4
	3	1-15933A	NUT-HEX 8M-1.25		1	1-16879A	FITTING STRAIGHT 6X8 1/4
	1	1-02655A	CLEVIS M8 UNI 1676 DIN 71752	25	1	EAK0306G45A	FITTINGS PROTECTION FOR GT
	1	1-02955A	PIN-COTTER D.8 W/CLIP		1	1-11733	NUT M8, BLK
14	1	ST4029114	INFLTR BD BLST PED EAS2068G87A		1	1-10041	WASHER D.8 UNI6592-69/DIN125
15	1	ST7023119	PIN-STRAIGHT SLOTTED 4 X 30		1	1-39901A	SCREW M 8X50 ISO4017 - DIN933
16	1	EAK0306G33A	SCREWS AND BOLT FOR GT PEDAL	26	1	1-09276A	1/2" CAP
	2	1-11633A	NUT-M6 X 5.2 BLK				
	2	1-1548	WASHER, EXT. SHAKEPROOF D6				
	2	1-14701A	SCREW 6X16 8G DIN 985				



REF#	QTY	PART NUMBER	DESCRIPTION	REF#	QTY	PART NUMBER	DESCRIPTION
1	1	EAK0330G49A	NA LUB. FILTER FIXING KIT	5	1	ST0021524	BOWL-OILER-EAC0100G35A
	1	EAS2201G16A	FILTER/LUBRICATOR BRACKET W.HOSE HOUSING	6	1	ST0021523	BOWL-SEPARATOR EAC0100G34A
	1	EAS2201G26A	LUBRICATOR FILTER PROTECTION	7	1	EAK0315G99A	FITTINGS KIT FOR FILTER
	2	1-14309A	SCREW 4X50 8.8 BLK UNI5931-67		1	1-24079A	1/4" CYL. THREAD WITH O-RING 8mm OD
	2	1-9641	PLAIN WASHER		1	1-24379A	1/4" CYL. WITH ORING AIR CONNECTION
	2	1-11433A	NUT - M4 6S		1	1-24479A	1/4" CYL. THREAD WITH O-RING 8mm OD
	2	1	8-11616A SNAP BUSHING Øe 22.2mm - Øi 17.5mm		1	1-24579A	L 1/8" CYL. THREAD WITH OR 8mm OD
	3	1	EAA0384G22A VALVE, AIR CONTROL		1	1-24679A	L 1/4" CYL. THREAD WITH OR 8mm OD
	4	1	EAA0439G90A FILTER-PRESS.RED. LUBRIC.ASSY AIR IN LEFT	8	1	EAA0489G30A	LUBRICATOR FILTER GROUP
				N/S	1	EAL0467G90A	LABEL, INSTRUCTION TO DRAIN CONDENSATION



Notice: The information contained in this document is subject to change without notice. Snap-on Equipment makes no warranty with regard to this material. Snap-on Equipment shall not be liable for errors contained herein or for incidental consequential damages in connection with furnishings, performance, or use of this material.

This document contains proprietary information which is protected by copyright and patents. All rights are reserved. No part of this document may be photocopied, reproduced, or translated without prior written consent

Snap-on Tools Company
Kenosha, Wisconsin 53141-1410