



SNAP-ON EEWH329A
SWING ARM
PNEUMATIC ELECTRIC
TIRE CHANGER



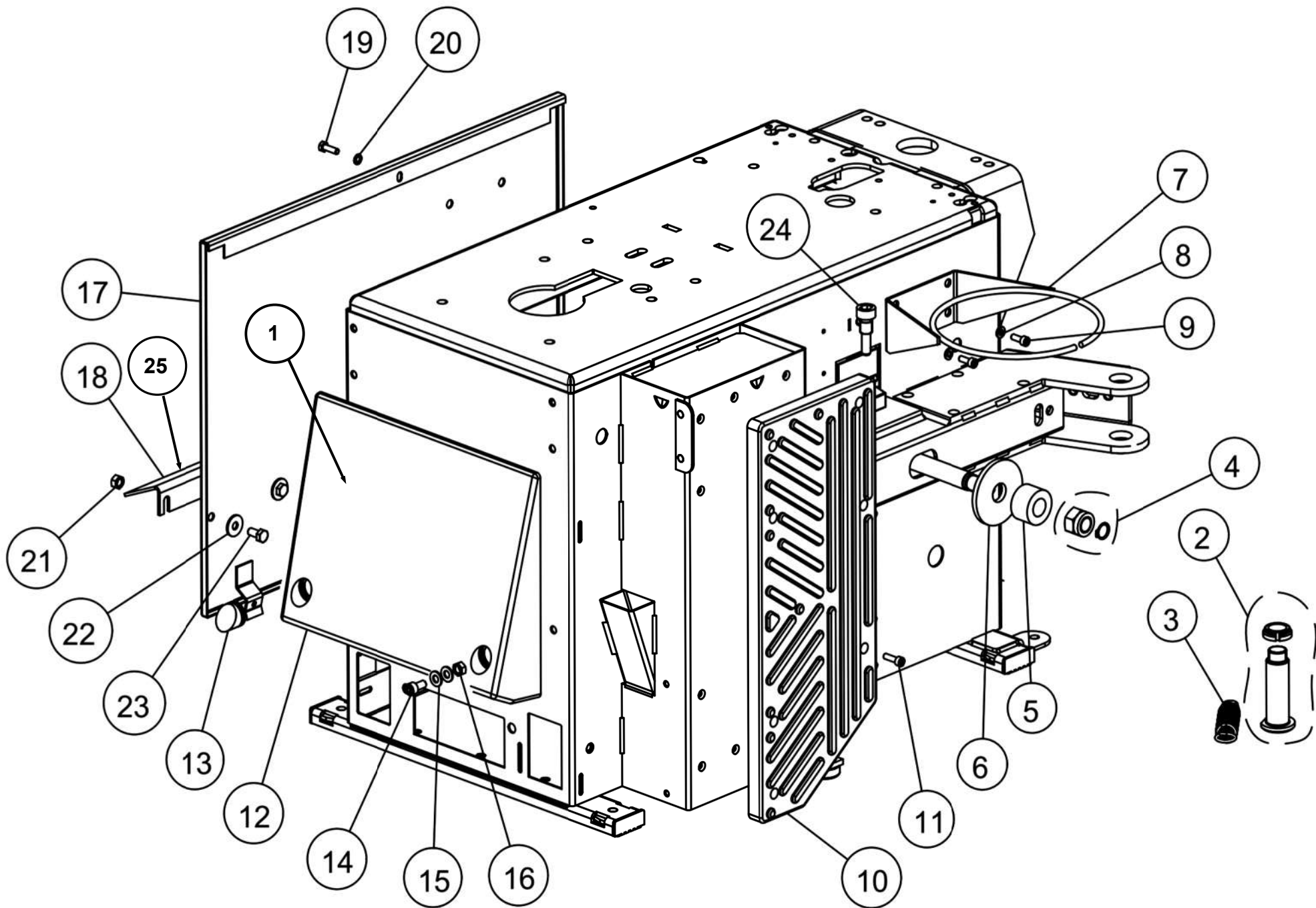
EEWH329A PARTS MANUAL

TABLE OF CONTENTS

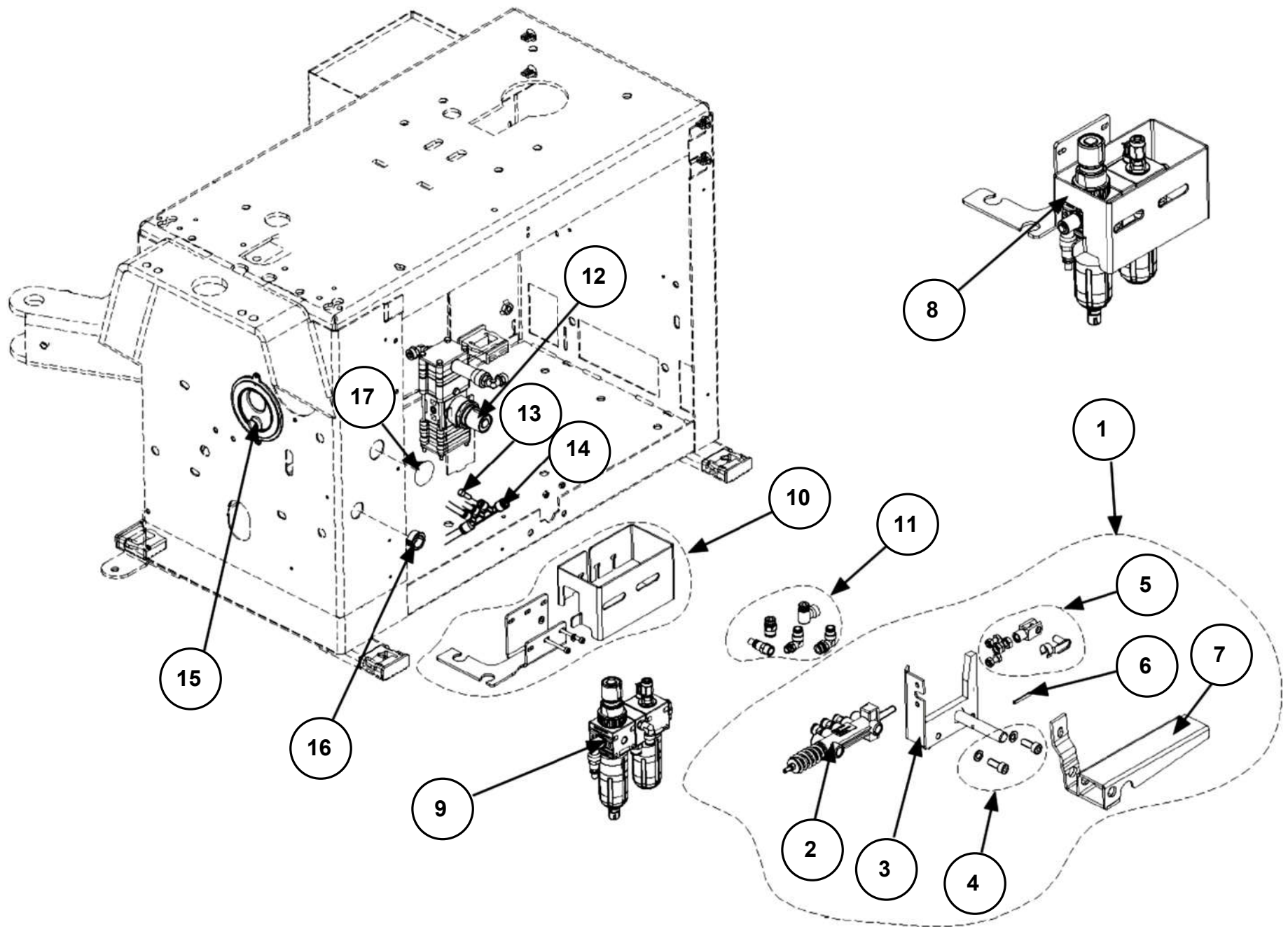
Built of Materials.....	Page 3
Cabinet Assembly.....	Page 5
Tower Assembly.....	Page 9
Turntable Assembly.....	Page 12
Pedal Assembly.....	Page 15
Switch Assembly.....	Page 18
Motor and Trans Assembly.....	Page 19
Bead Breaker Cylinder Assembly.....	Page 20
Bead Breaker Arm Assembly.....	Page 21
Tool Tray Assembly.....	Page 22
Stability Foot Assembly.....	Page 24
Back Cover.....	Page 25

PART NUMBER	DESCRIPTION
EAA0329G33B	MH310 PRO-6027702
ZEEWH329A9	LIT PACK-SO TIRE CHANGER
EAL0408G12A	LABEL PATENTS (33772)
EAL0413G31A	LABEL GROUND 8453
19159	LABEL DRAIN WATER EAL0467G25A
EAK0237J22B	STABILITY FOOT KIT(NT FOR SRV)
EAL0408G24A	LABEL OIL (10724)
24212	PLACARD DANGER TC ENG SPANISH
EAL0383G34A	LABEL DANGER (16524)
EAL0383G32A	LABEL DANGER 16507
16510	LABEL DANGER
EAL0343J76B	SERIAL LABEL DOCUMENT
EAL0413G34A	LABEL INFLATOR 22669
EAL0412G13A	STICKERS PEDAL - 22672
EAL0383G01A	ROTATION DIRECTION LABEL 2253
EAC0100G55A	LABEL SEALING HOLE (8715)
EAL0352J15A	LABEL-SNAP-ON, WHITE - 11 IN
EAL0352J12A	LABEL-SNAP-ON S WHITE
01267267000	WIRE DAUBER
00066006000	BOTTLE-LUBE
8-03229A	LUBRICANT-TIRE MOUNTING 75N

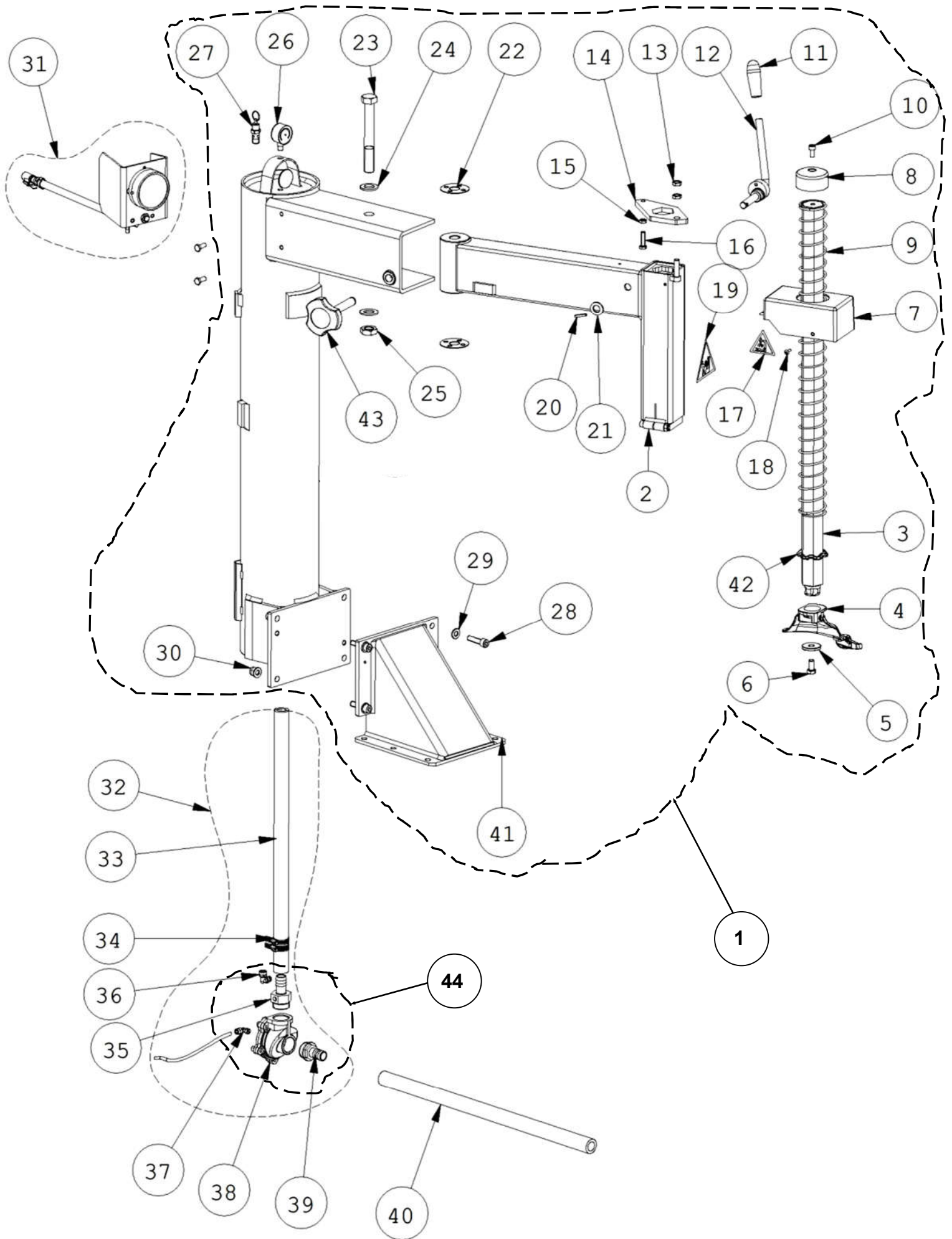
PART NUMBER	DESCRIPTION
EAL0352J12A	LABEL-SNAP-ON S WHITE
EAL0467G92A	DECAL TC LEVER WARNING
16511	LABEL-DANGER
EAL0408G25A	LABEL PRESSURE MIN MAX 16352
EAC0103G11A	PEDAL SPACER
25701	LABEL-NO ADJUSTMENT
EAA0304G15A	PLSTIC PROT BD BRKR BLAD-26582
EAA0304G52A	3PC PLASTIC RIM PROTECTOR
EAA0304G66A	QR QUIK EXCHG MNT HEAD-4028228
EAA0247G04A	TIRE MNT BAR PROTCT SLV 90 DGR
EAL0392J89A	LABEL-CUST SVC JBC
EAC0078G13A	BACK PLSTC RIM PROTECTOR-30580
EAA0247G02A	TIRE MOUNTING BAR
EAC0113G61A	RIM PROTECTOR PLASTIC
EAM0043G53A	PIN M5 HEXAGONAL SKT- 30950
EAA0304G21A	PLASTIC PROT. FOR JAWS-27671
EAC0087G48A	1EA JAW INSERT PROTECTION
1-36109A2	SCREW BH CAP M5 X 10 91239A224
19254	CLIP FITTING
5-14126A	BRUSH TIRE LUBE APPLICATOR
4027094	HOLDER LUBE BOTTLE EAA0490G74



REF	QTY	PART NUMBER	DESCRIPTION
1	1	EAL0352J15A	LABEL-SNAP-ON, WHITE - 11 IN
2	1	EAK0306G20A	FULCRUM KIT FOR BEAD BREAKER ARM
3	1	EAM0067G69A	SPRING-RECALL ARM, BEAD BREAKER
4	1	EAK0306G23A	FIXING KIT FOR BEAD BREAKER ARM
5	1	EAC0097G51A	WASHER - SHOCK ABSORBER
6	1	EAS2097G96A	BEAD BREAKER WASHER
7	1	EAA0349G76A	RING- BOX, GREASE
8	2	1-9841	WASHER,PLAIN d6 ZINC
9	2	1-16309	SCREW HEX SOCKET M 6X16
10	1	EAC0099G22A	PAD- SUPPORT, BEADBREAKER
11	6	1-16409A	SCREW TCEI 6X20 8G
12	1	EAA0524G16A	LONG , PEDALS PROTECTION
13	2	EAC0087G80A	CUP, FOR LONG PEDALS PROTECTION
14	2	1-17609A	SCREW, 8X16 8.8
15	2	1-17741	WASHER d.8 2
16	2	1-11733	NUT M8 2
17	1	EAS2238G37A	SIDE PANEL WITH COVER
18	1	EAS2115G83A	PROTECTOR,PEDAL
19	1	1-30901A2	SCREW TE 6X20 8G
20	1	1-1548	WASHER-LOCK d.6 1
21	2	1-11733	NUT M8
22	2	1-17841	WASHER - d. 8X24
23	2	1-32501A	SCREW 8X16 8G
24	1	EAM0067G34A	SCREW, FITTING- CYLINDER B/BREAK
25		EAL0413G34A	LABEL INFLATOR 22669



REF	QTY	PART NUMBER	DESCRIPTION
1	1	EAA0384G14A	Group, Bead Inflating Pedal
2	1	ST4029115	Valve, Bead Inflating
3	1	EAS2134G52A	Gt Pedal Support
4	1	EAK0306G33A	Screws And Bolts For Gt Pedal
5	1	EAK0306G32A	Screws And Bolts For Gt Valve
6	1	ST7023119	Pin - Straight Slotted 4X30
7	1	ST4029114	Inflator Pedal Cataphor
8	1	EAA0489G30A	Lubricator Filter Group
9	1	EAA0439G90A	Filter-Press.Reg
10	1	EAS2134G52A	Gt Pedal Support
11	1	EAK0315G99A	Fittings Kit For Filter
12	1	EAA0384G22A	Valve, Air Control
13	1	1-09176A	Cap, Fitting D6
14	1	1-12379A	Multi-Tee 08-06
15	1	EAC0100G22A	Cable Protection
16	1	8-11616A	Snap Bushing
17	1	1-08676A	Cap, Closing

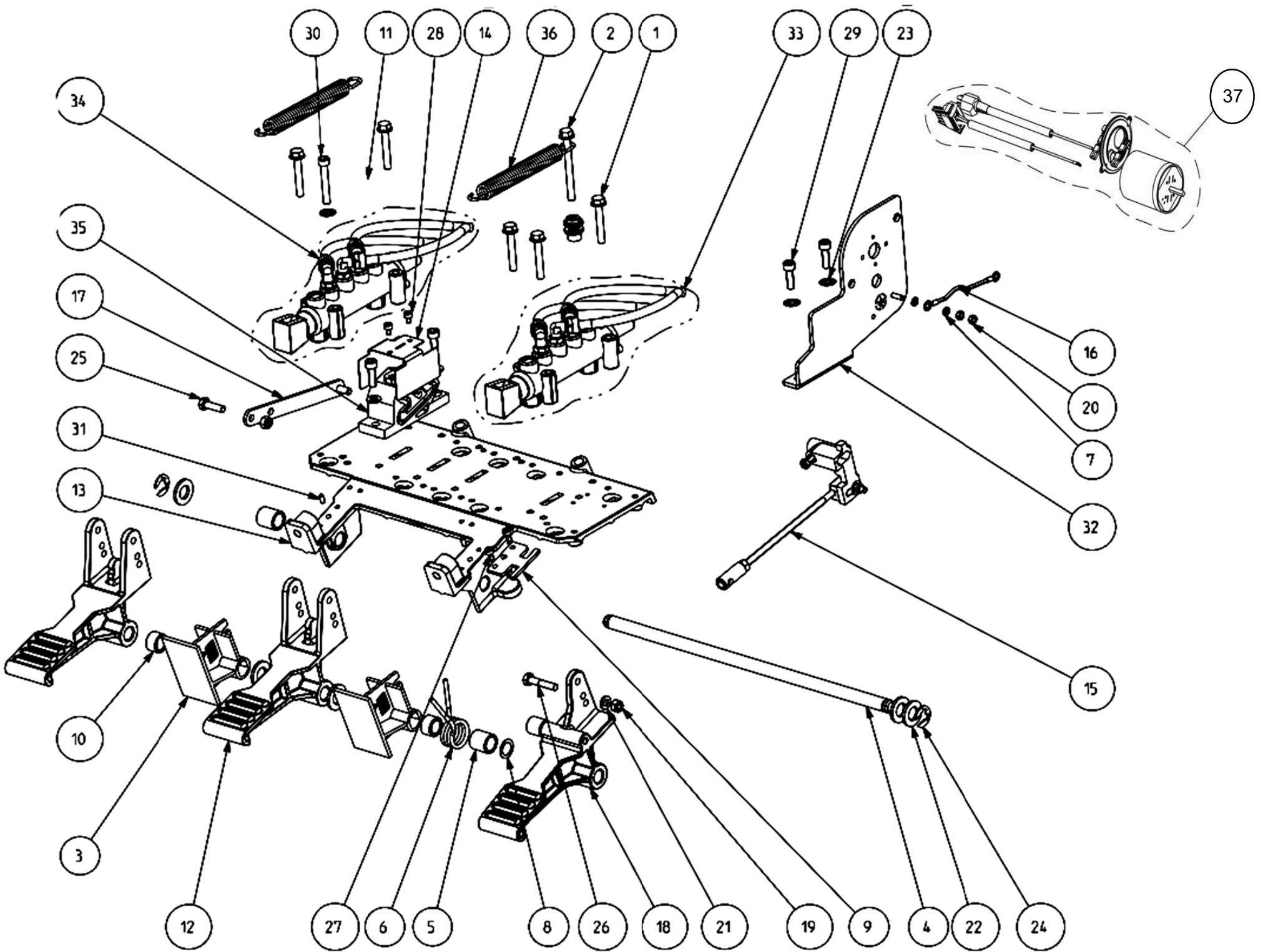


REF	QTY	PART NUMBER	DISCRIPTION
1	1	EAS2169G73A	SWING COLUMN
2	1	EAA0440G41A	SWING ARM
3	1	EAM0122G32A	ROD-VERTICAL
4	1	EAA0329G95A	MOUNTING/DEMOUNTING TOOL
5	1	EAM0032G02A	WASHER- TOOL CLAMPING
6	1	1-34301A	SCREW HEX 10X20 8G
7	1	EAM0126G17A	PROTECTION, UPPER TOWER
8	1	EAM0140G92A	COVER FOR HEX BAR
9	1	EAS2153G47A	SPRING-RECALL, TOWER,VERTICAL
10	1	1-17609A	SCREW, 8X16 8.8 UNI5931-67
11	1	EAC0078G04A	HANDLE-RUBBER
12	1	EAS2108G36A	LEVER, REGISTER
13	2	1-19633B	NUT- M10 6S BLK UNI5589-65
14	1	EAS2153G46A	LEVER- NECKING
15	1	1-15933A	NUT M8 DIN 936 - UNI 5589
16	1	EAM0067G26A	SCREW, ADJUSTMENT- ROD
17	2	EAL0408G42A	STICKER DANGER
18	3	1-49709A	SCREW TBEI 5X16 8.8
19	1	EAL0408G44A	DANGER LABEL
20	1	1-6452	PIN, STRAIGHT SLOTTED
21	1	1-10341	WASHER - d.14
22	2	EAM0067G29A	WASHER - ADJUSTMENT
23	1	EAM0067G25A	SCREW, SWING ARM SUPPORT
24	2	1-10641	WASHER

REF	QTY	PART NUMBER	DISCRIPTION
25	1	1-21633A	NUT
26	1	8-06120A	MANOMETER-RADIAL 0-16 D.40
27	1	1-31381A	VALVE, ASME SAFETY, 1/4" BSPT
28	4	1-19409	SCREW TCEI 10X40
29	8	1-10141A1	WASHER P.D.10
30	4	7020879	NUT SELFCLAMPING
31	1	EAA0332G48A	ASSY,GAUGE-PRESSURE PSI / Kpa
32	1	EAA0351G03A	ASSY, VALVE- PNEUMATIC
33	1	27096	HOSE, AIR- HIGH PRESSURE
34	4	EAM0075G29A	CLIP, LOCKING-HOSE
35	1	15658	FITTING, RUB.HOLDER 1" LONG
36	1	1-17279A	FITTING "L" 6X8 1/8
37	1	1-17179A	ELBOW FITTING "L" 4X6 1/4"
38	1	1-29581A	VALVE,AIR-CONTROLLED
39	1	EAM0071G99A	FITTING , SUPPORT M1"-20
40	1	14121	HOSE, AIR
41	1	EAS2169G72A	COLUMN SUPPORT
42	1	EAC0094G02A	RING, SHOCK-ABSORBER
43	1	1-03512A	HANDLE WITH SCREW
44	1	EAA0351G06A	KIT-VALVE PNEUMATIC 4022215

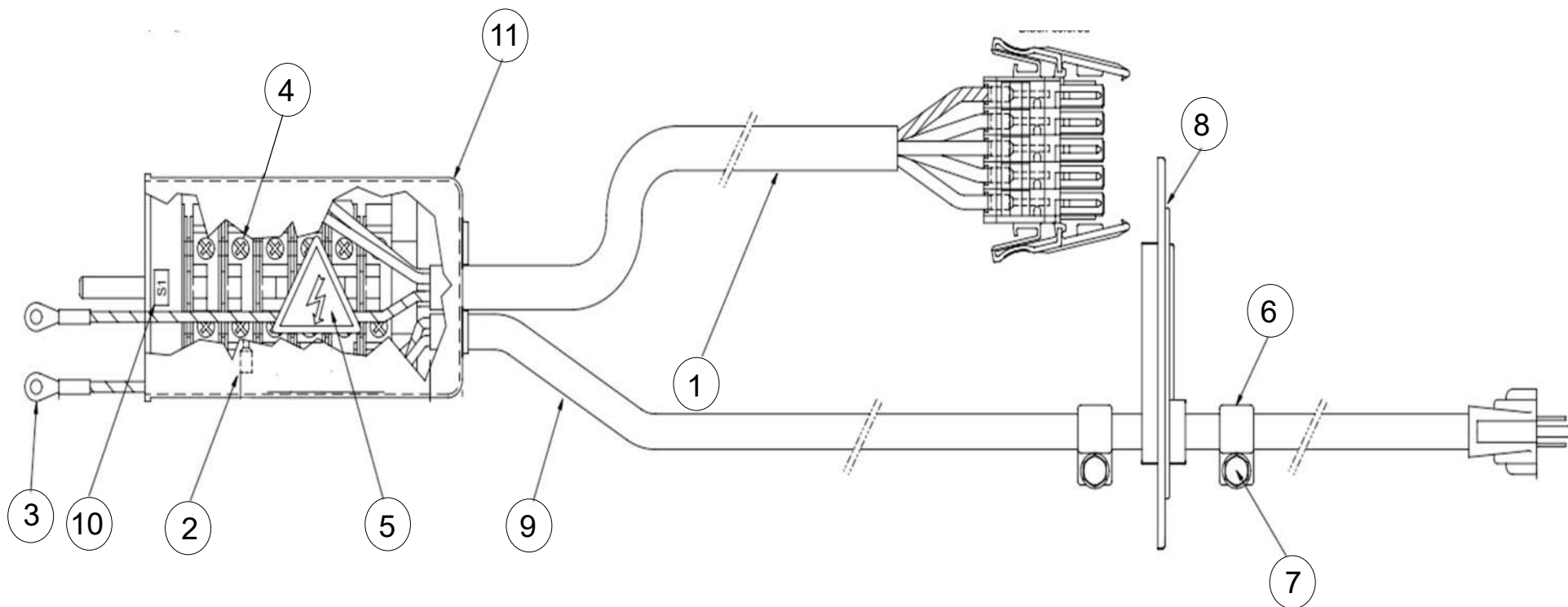
REF	QTY	PART NUMBER	DESCRIPTION
1	1	EAA0470G46A	TURNTABLE ASSY 24 IN SOT
2	1	EAS2153G40A	TURNTABLE CENTER TABLE
3	2	EAK0317G36A	CYLINDER SEAL KIT
4	8	1-25952A	PIN DOWEL 5MMX10MM
5	1	EAC0087G47A	TURNTABLE PROTECTOR
6	1	8-11714A	ORING 46.04.3.53
7	1	1-51101A	SCREW 16 X 1.5X 40 8G BR
8	1	EAS2092G32A	WASHER
9	2	EAA0338G74A	SELF CENTERING CYLINDER
10	1	1-18677A	SEEGER UNI 7435 ROD Ø60
11	1	EAM0051G85A	SUPPORT WASHER
14	2	1-14379A	CONNECTION L 1/4" 8X10
15	2	EAA0377G79A	BRACKET CYLINDERS
16	4	EAM0051G00A	GUIDE TERMINALS CENTRE CONVERG
17	2	1-27379A	F.STRAIGHT FITTING 8X10 1/4"
18	2	EAM0051G83A	PIPE FOR BS CLAMP
19	4	EAA0351G73A	CLAMP ACTIONING PLATE
20	4	EAM0075G00A	CLAMP, SLIDING W/CENTRE 24" GT MACHINED
21	2	1-18879A	FITTING - L 4X6 1/8"
22	2	1-27179A	STRAIGHT FITTING 4X6 1/8"
23	2	EAM0043G49A	PLATE REGISTER CLAMP
24	1	EAA0338G76A	COLLECTOR EXTERNAL RING
25	1	EAA0338G77A	GASKET SEAL SPRING
26	1	EAC0087G50A	FRONT GASKET BS
27	3	8-10814A	ORING Ø69.44X3.53
26	1	EAC0087G50A	FRONT GASKET BS
27	3	8-10814A	ORING Ø69.44X3.53

REF	QTY	PART NUMBER	DESCRIPTION
28	1	EAA0338G27A	INNER COLL. WITH SCREW
29	1	EAA0304G69A	REVOLVING MANIFOLD GT
30	4	1-24603A	SCREW M8x60 CLASSE 12.9 UNI 5933-6
31	4	EAC0099G90A	PROTECTION JAWS NEW ST. 1901
32	4	1-36109A2	SCREW TBEI 5X10 8G
33	4	1-54409A	SCREW, 10X50 12.9 BLK UNI 5931
34	4	EAM0043G19A	ECCENTRIC FOR SLIDING ROD
35	2	EAM0051G75A	SLIDING ROD SPACER
36	8	EAM0051G74A	WASHER 30x17x0.3
37	4	1-24641A	WASHER ø12,2x18x1 DIN 988
38	1	EAM0051G88A	AIR PIPE HOOK
39	4	1-19933A	NUT M12
40	2	ST0019849	QR FTIG STRHT 4X6 1/8(1-13579A
41	2	ST0022175	FITNG QK-HOSE 10 1/4(1-14679A)
42	2	ST0001924	FITTING-ST 6 X 8-(1-11379A)
43	1	4019342	HOSE CONN RUBBER EAS2138G25A
44	2	ST0019653	FRONT CYLINDER FLANGE
45	2	ST0019652	REAR CYLINDER FLANGE
46	4	EAA0408G23A	ASSEMBLED SLIDING JAW C/TYPE V2
N/S	4	EAM0154G76A	spring protection air-hos
N/S	4	ST0026904	PIPE,SPIRAL*BLK 6,5X10X2,5IN L
N/S	BTF	5-06435A	4mm x 6mm HOSE BTF
N/S	BTF	ST2618004	6mm x 8mm HOSE BTF
N/S	BTF	2618002	8mm X 10mm HOSE BTF

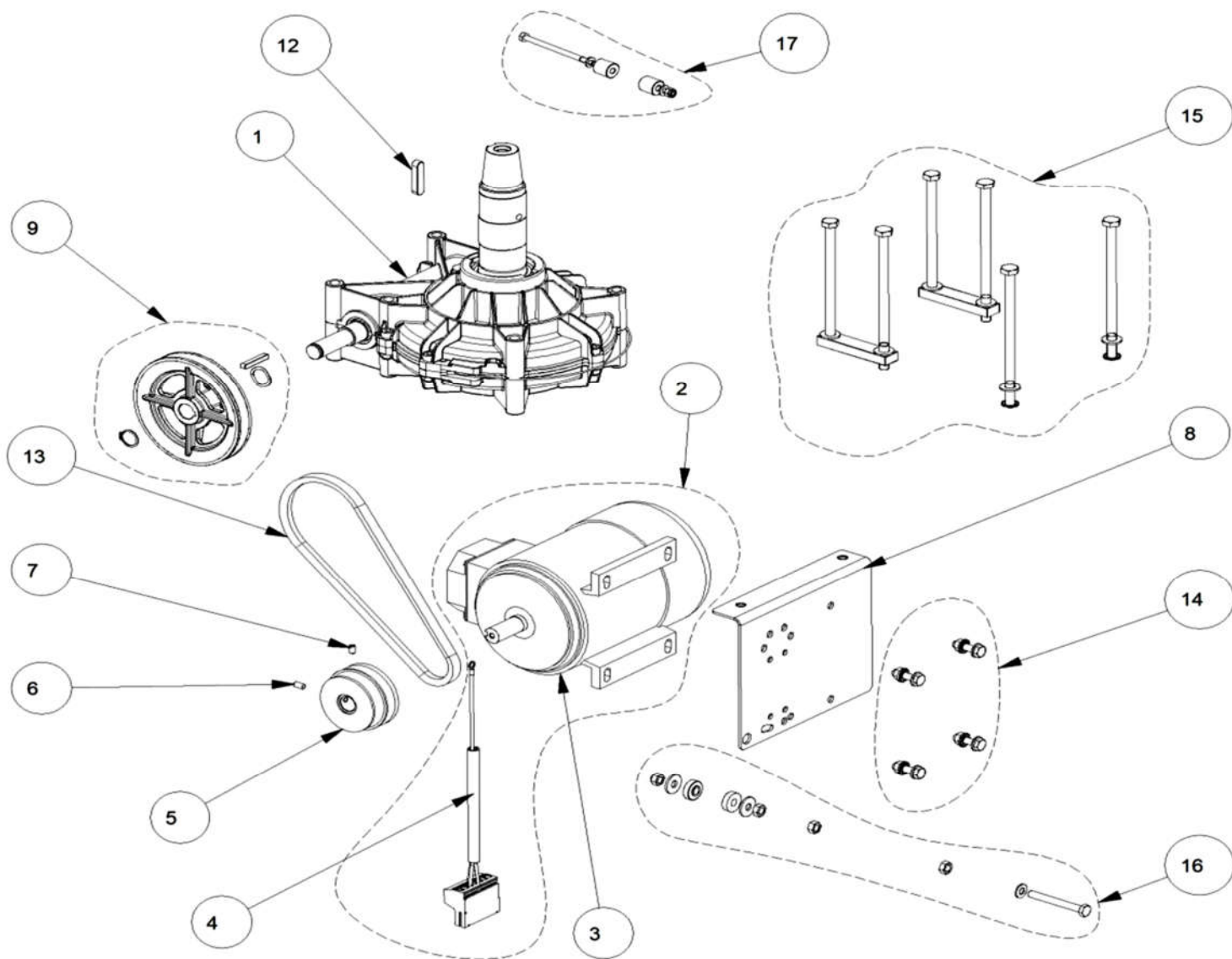


REF#	QTY	PART NUMBER	DESCRIPTION
1	5	1-12626A	SCREW HEX FLANGE HD M6X40
2	2	1-12726A	SCREW HEX FLANGE HD M6 X 65MM
3	2	EAC0096G11A	PEDAL SPACER-5655
4	1	ST0005731	SHAFT-HINGE PEDAL-EAM0068G10A
5	2	EAM0048G79A	BUSHING CENTERING-SPRING
6	1	EAM0048G78A	QR SPRNG PDL SWITCH(0016103)
7	2	1-5547	WASHER-LOCK EXT M4
8	1	1-25241A	WASHER FLAT 12.2X18X0.3
9	1	EAM0070G32A	COMMUTATOR SPRING GUIDE(35645)
10	2	EAM0070G46A	SPACER L=11MM -35646
11	2	EAC0099G82A	SPRING FIXING PAW-35648
12	2	EAM0068G95A	STAND. PEDAL MACHINED-35968
13	1	EAM0068G80A	PEDAL ASSY SUPORT-MACH-35972
14	1	EAS2115G09A	PROTECTION SHEET FOR CAM-36092
15	1	EAA0347G61A	ROD RGSTR-REV.ASSY
16	1	EAA0357G73A	CABLE EARTH
17	1	EAS2111G73A	ROD POSITIONER PEDAL-4031049
18	1	EAA0356G92A	RIGHT SWTCH FOOT PEDAL
19	2	1-9933	NUT-M6 ZINC 7020339
20	2	1-15833A	NUT-M4 BRASS
21	3	1-9841	WASHER-PLAIN 6MM/SAME AS4-6641
22	5	1-10241A	WASHER FLAT M12 91166A290
23	3	1-1548	WASHER-6MM SP-PURCH TEXT

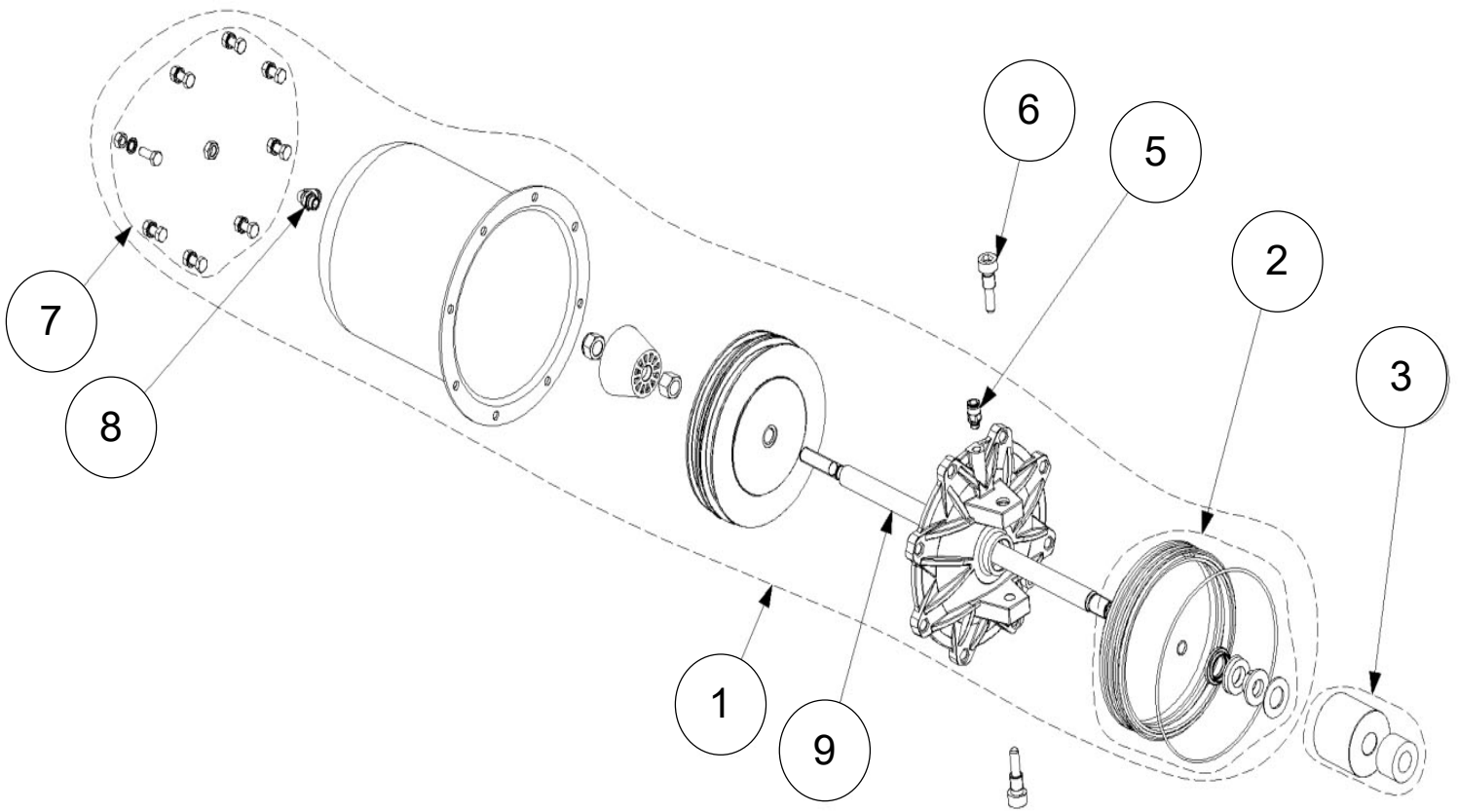
REF#	QTY	PART NUMBER	DESCRIPTION
24	2	1-18477A	RETAINING RING(ST7022039)
25	1	1-14801A	SCREW M6X20 HEX HEAD MACHINE
26	1	1-50201A	SCREW HHMS M6X30
27	2	1-13409	SCREW-SHCS M4 X 10MM
28	2	1-46809	SCREW SHCS M4 X 6
29	4	1-16409	ALLEN SCREW, M6 X 20
30	1	1-56209A	SCREW HEX HD CAP M6X40
31	2	1-38910	SCREW - M4X8 SET CUP ZP
32	1	EAA0394G62A	SUPPORT IS SWITCH
33	1	EAA0356G94A	VALVE 6x8 HOSES
34	1	EAA0356G94A	VALVE 6x8 HOSES
35	1	EAC0103G56A	FOOT PEDAL CAM
36		EAA0356G94A	VALVE 6x8 HOSES
37	1	EAA0394G36A	1 PHASE SWITCH-CABLE ASSY. DX US



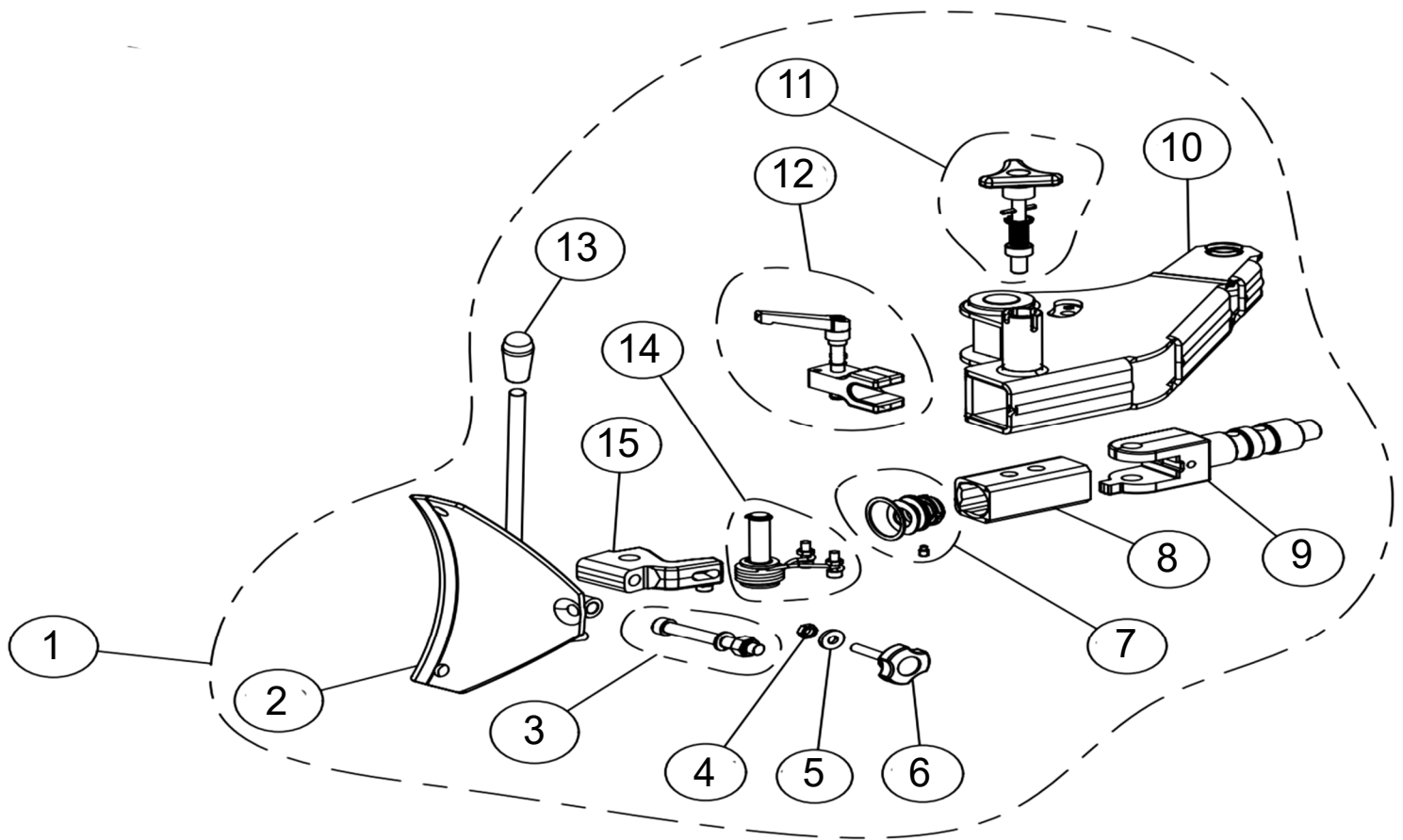
REF	PART NUMBER	DESCRIPTION	REF	PART NUMBER	DESCRIPTION
1	EAW0277G09A	115V PEDAL-SWITCH MOTOR CABLE	6	EAW0256G00A	CLAMP FOR CABLE
2	2-33301A	BOOTLACE FERRULE 2X2.5MM ²	7	1-24223A	SCREW D 4.8X16 TE BR. UNI 6949
3	2-12802A	RING TERMINAL INSULATED 2.5MM ² FOR M4	8	EAC0100G22A	CABLE PROTECTION AND HOSE PASS
4	2-16759A	ONE PHASE ROTARY SWITCH	9	EAW0276G32A	CABLE FROR CEI 20-22 II 3GX2.5 450/750V L. TOT. 3500 M
5	8-23562A	STICKER, DANGER	10	EAL0383G21A	CSA MAINS CORD 3.6M
			11	EAC0097G80A	PROTECTION FOR INVERTER



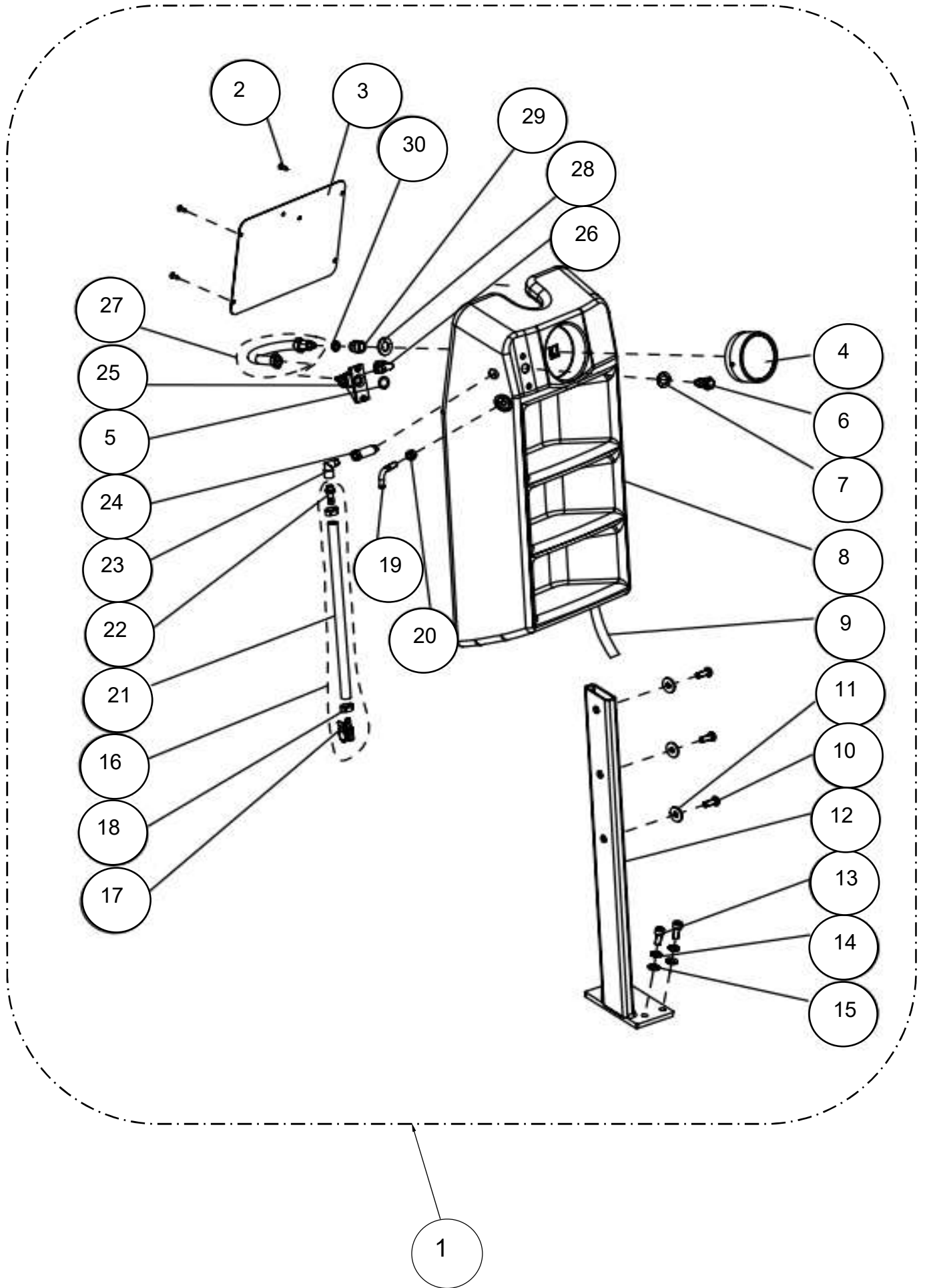
REF #	QTY	PART NUMBER	DESCRIPTION
1	1	EAA0382G23A	GEAR BOX TC
2	1	EAA0534G62A	1PH 115V RIGHT MOTOR ASSEMBLY
3	1	2-99966A	1 PHASE US MOTOR
4	1	EAW0277G10A	MOTOR CABLE
5	1	EAM0154G58A	PULLEY DP=2" HOLE D.5/8"
6	1	1-54210A	SET SCREW M6x10 HEX SOCKET
7	1	1-48910A	SCREW SET HEX SOC FLT PT, 6 X 10
8	1	EAS2131G28A	MOTOR SUPPORT
9	1	EAK0341G09A	GEARBOX PULLEY KIT
12	1	1-1572	KEY-10 X 8 X 45
13	1	EAC0078G58A	BELT V A-26-30939
14	4	EAK0279G64A	SCREWS KIT FOR MOTOR
15	1	EAK0279G65A	SCREWS KIT FOR GEARBOX
16	1	EAK0279G66A	BELT TIGHTENER KIT
17	1	EAK0279G67A	ANTI ROTATION KIT



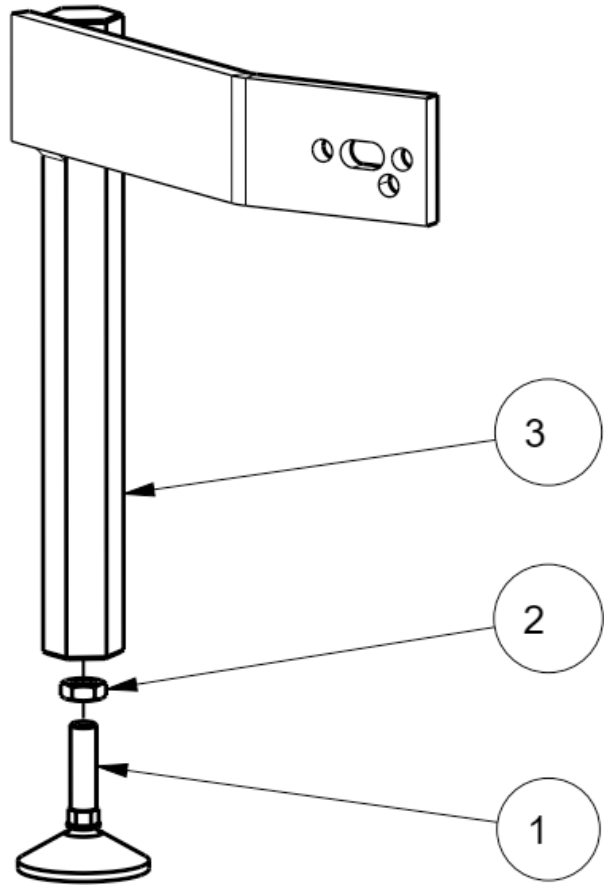
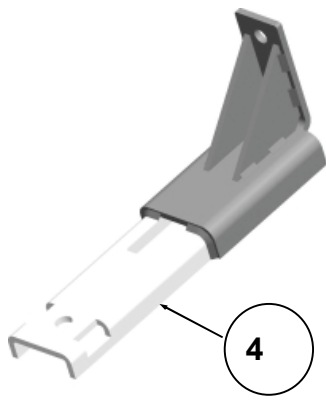
REF	QTY	PART NUMBER	DESCRIPTION
1	1	EAA0329G51A	QR CYLER, BEAD BREAKER-4029027
2	1	EAK0306G19A	SEALS FOR BB CYCLINDER
3	1	EAM0048G04A	LIMIT SWITCH RUBBER PAD-31470
5	1	ST0001924	FITTING-ST 6 X 8-(1-11379A)
6	2	EAM0067G34A	SCREW BEAD BREAKER
7	8	1-11733	NUT M8 6S STAND WHITE ZINC
	8	1-1748	WASHER SHAKEPROOF D8
	8	1-32601	SCREW HEX HEAD MACHINE 8X20
8	1	1-20179A	6X8 ELBOW FITTING
9	1	EAM0048G06A	ROD BEAD-BREAKER CYLINDER
N/S	1	EAK0306G23A	FIXING KIT FOR BD BREAKING AR



REF	QTY	PART NUMBER	DESCRIPTION
1	1	EAA0344G08A	BEAD BREAKER EXTENSIBLE
2	1	ST4021305	BLADE, BD. BREAKER-EAS2087G93A
3	1	EAK0316G80A	KIT BB BLADE FIXING
	1	1-22609	SCREW T CEI M1 4X110 8.8
	1	ST7020409	NUT-S LOCK LOW-M14(1-10433)
	1	1-06346A	WASHER \varnothing 14.2 DIN 128A
4	1	1-19633B	NUT- M10 6S BLK UNI5589-65
5	1	1-20741A	WASHER, PLAIN 10,5MM A2J DIN7349
6	1	1-03412A	KNOB D50 WITH PIN M10x50
7	1	EAK0316G83A	WASHER GROUP
8	1	EAS2097G84A	GUIDE
9	1	EAM0052G69A	WORKED ROD
10	1	EAS2096G02A	BEAD BREAKER ARM BLACK ORANGE PEEL
11	1	EAK0316G76A	KIT BLADE POSITIONING
12	1	EAK0316G79A	KIT STOPER ROD
13	1	EAC0078G04A	HANDLE-RUBBER
14	1	EAK0316G81A	KIT BLADE ROD GROUP
15	1	EAM0052G74A	WORKED FLOATING FORGED



REF	QTY	PART NUMBER	DESCRIPTION
1	1	EAA0410G56C	TOOL STORAGE W/SUPPORT
2	4	1-20423	Self tapping screw d4,2x13
3	1	EAS2089G49A	COVER, FOR BOX, BLACK PAINTED
4	1	8-06520A	MANOMETER EEC APPROVED 0-10 BAR
5	1	8-10414A	SEAL-OR d.14
6	1	EAA0328G57A	BLEEDER VALVE
7	1	EAM0043G64A	WASHER, BLEEDER VALVE
8	1	EAC0114G08A	TOOL STORAGE BOX
9	1	ST2618004	HOSE-AIR 6X8, BLACK
10	3	1-18702A	SCREW FILLISTER HEAD MACH M8X20 ISO
11	3	1-17841A	WASHER d. 8X24, BLK
12	1	EAA0329G98A	TOOL BOX SUPPORT, FINISHED
13	2	1-17709	SCREW TCEI 8X20 8G
14	2	1-3048	WASHER SHAKEPROOF D8 BLK.
15	2	1-10041	WASHER D.8
16	1	EAA0481G30A	HOSE INFLATION WITH CHUCK AND FITTINGS
17	1	1-28579A	INFLATING STRAIGHT CLIP CHUCK – 1/4"
18	2	1-03482A	HOSE CLAMP
19	1	EAA0490G75A	HOOK FOR INFLATING GAUGE FOR CHUCK DILL
20	1	1-11733	NUT M8
21	1	EAH0049G13A	TIRE GUN TUBE
22	1	1-12079A	FITTING - AIR 1/8 d.7
23	1	1-11479A	FITTING - L 6X8 1/8
24	1	1-11779A	FITTING, STRAIGHT, M/F 1/4" L.36mm
25	1	EAC0078G59A	BODY BLEEDER VALVE
26	1	1-11479A	FITTING - L 6X8 1/8
27	1	EAA0356G06A	PIPE, W. MANOMETER DAMPER
28	1	1-10341	WASHER - d.14
29	1	1-11879A	COUPLING REDUCT. FF 1/4-1/8"
30	1	1-26741A	WASHER, COPPER 1/8



REF#	QTY	PART NUMBER	DESCRIPTION
1	1	8-12618A	JOINT FOOT WITH THREAD PIN M12
2	1	1-22733A	NUT - M12 6S
3	1	EAS2196G03A	FOOT SUPPORT
4	1	EAS2141J44A	FOOT EXTENSION WLDMNT
N/S	1	1-17609	BOLT -M8 X 1.25 X 16
N/S	2	1-10033	M8 ESNA NUT
N/S	3	1-10041	WASHER
N/S	4	EAS2141J44A	FOOT EXTENSION WLDMNT
N/S	1	EAA0471G44A	REAR FOOT ASSY
N/S	2	1-19109	M10 X 25 BOLT
N/S	2	1-11841	D10 WASHER
N/S	1	8-04450A	8.5 MM DRILL BIT BLACK OXIDE HS STEEL
N/S	1	8-04350A	M10X1.5 THRU-HOLE TAP HS STEEL COATED
N/S	1	EAK0237J22A	FOOT EXTENSION KIT



Notice: The information contained in this document is subject to change without notice. Snap-on Equipment makes no warranty with regard to this material. Snap-on Equipment shall not be liable for errors contained herein or for incidental consequential damages in connection with furnishings, performance, or use of this material.

This document contains proprietary information which is protected by copyright and patents. All rights are reserved. No part of this document may be photocopied, reproduced, or translated without prior written consent

Snap-on Tools Company
Kenosha, Wisconsin 53141-1410