



EEWH337AUA

Heavy-Duty Two Speed
Tilt-Back Tire Changer

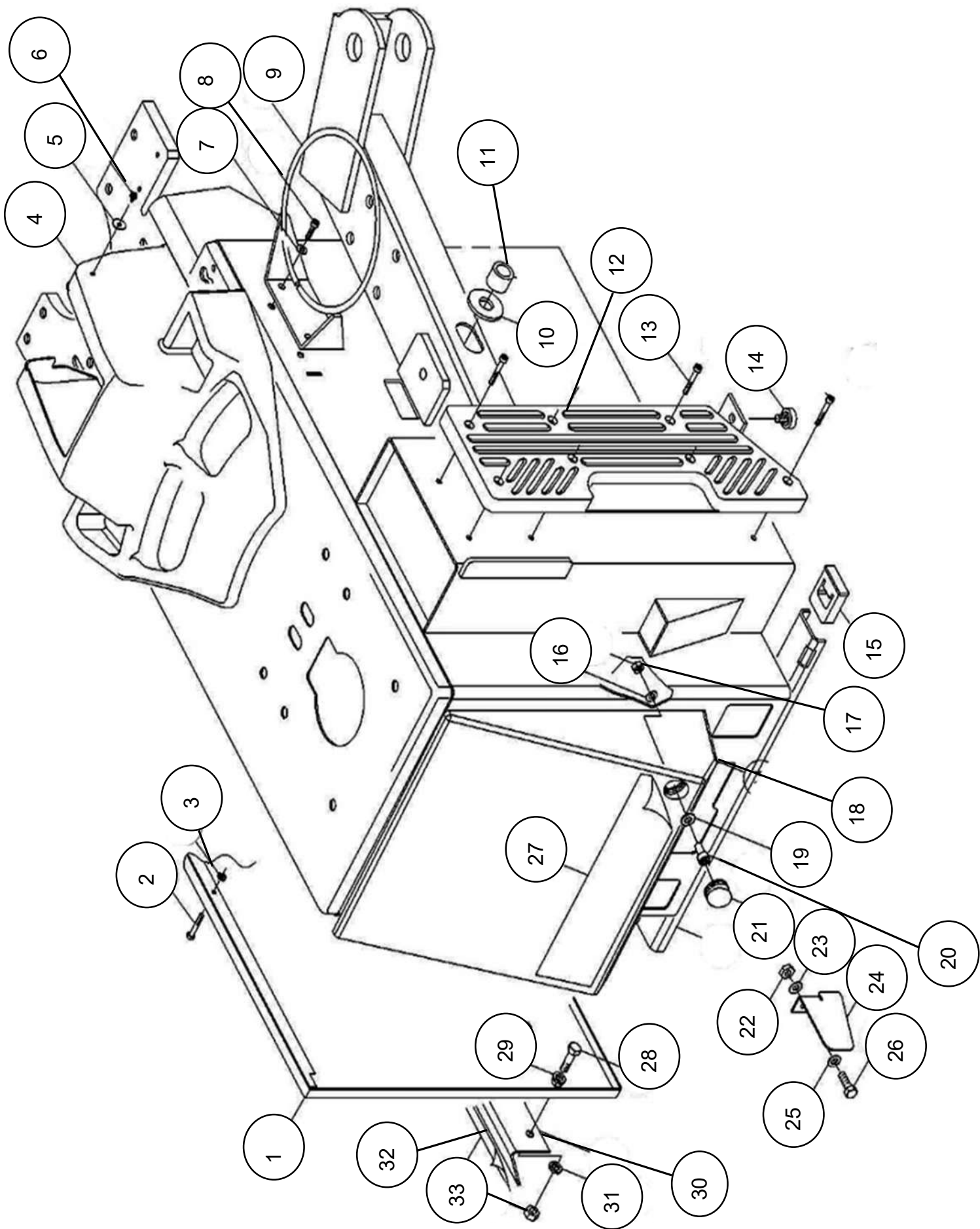


PARTS MANUAL

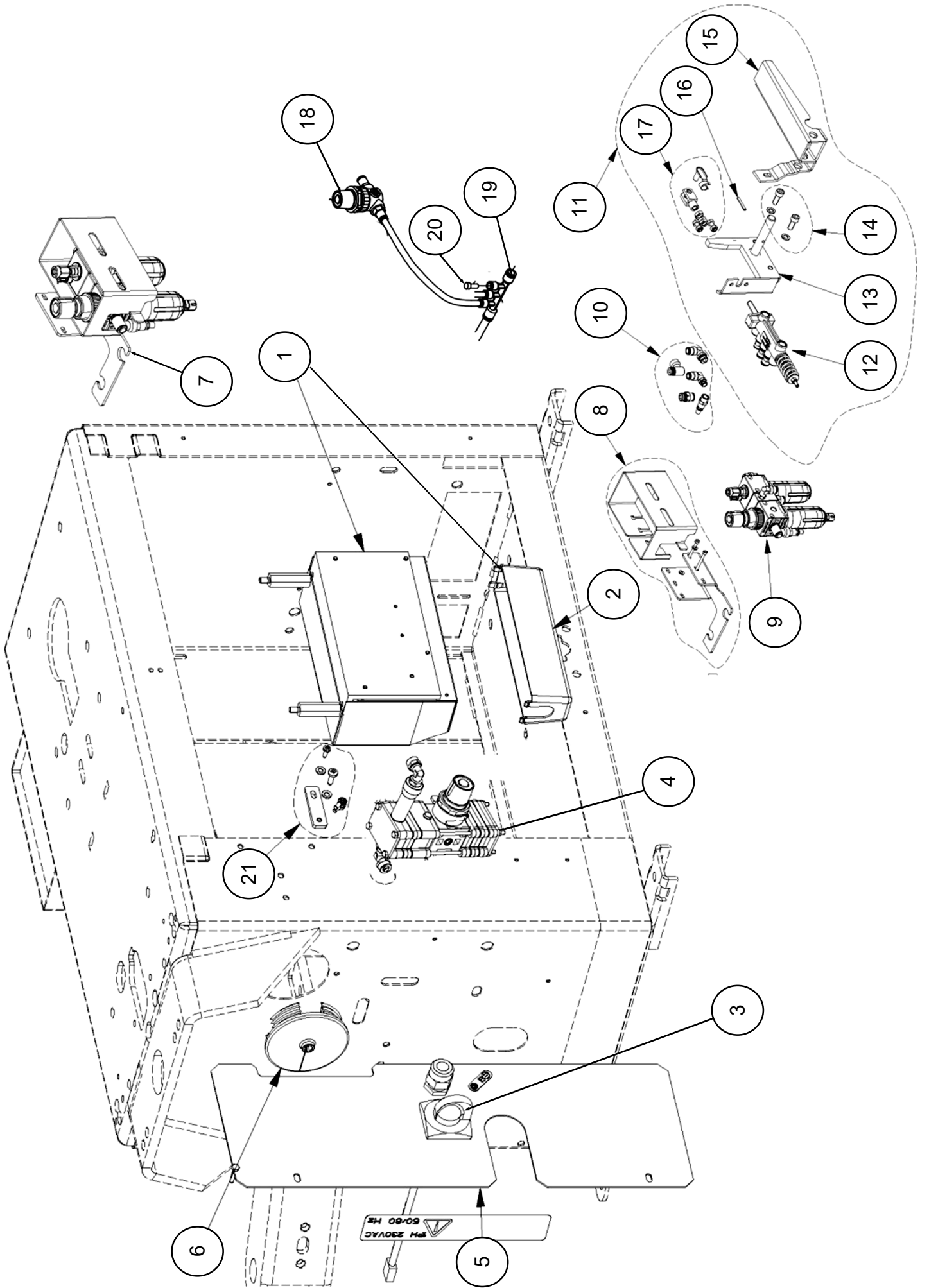
TABLE OF CONTENTS

Build of Material.....	Page 3
Cabinet Assembly.....	Page 4
Tower Assembly Upper.....	Page 8
Tower Assembly Lower.....	Page 12
Pedal Assembly.....	Page 15
Bead Breaker Arm Assembly.....	Page 17
Turntable Assembly.....	Page 19
Bead Breaker Cylinder Assembly.....	Page 22
Motor and Trans Assembly.....	Page 23
Inflation Tank Assembly.....	Page 25
Tool Tray Assembly.....	Page 29
Stability foot Kit Assembly.....	Page 31

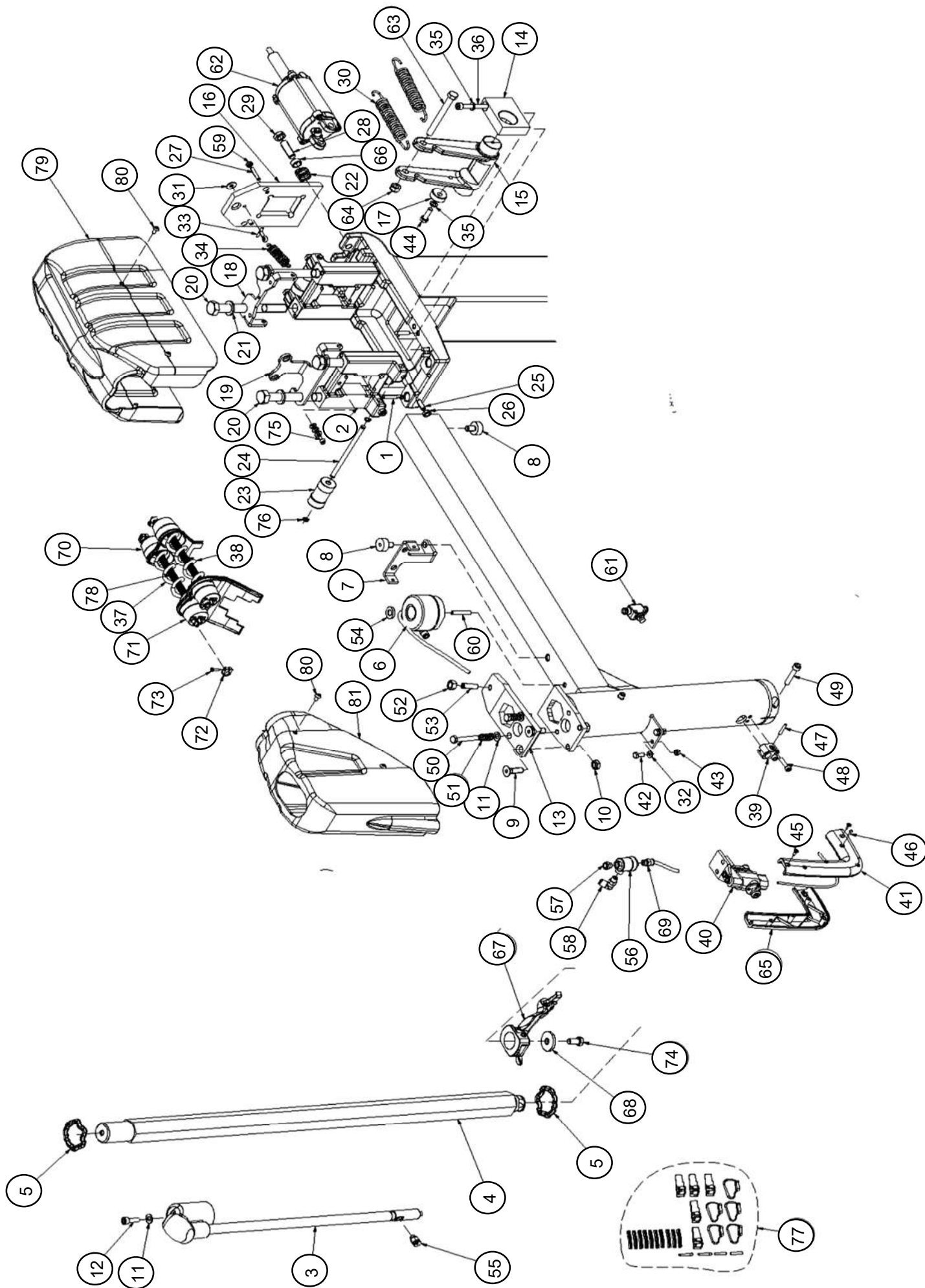
PART NUMBER	DESCRIPTIION
EAL0343J76B	SERIAL LABEL DOCUMENT
EAA0502G29A	STANDARD ACCESSORIES
EAA0304G66A	QR QUIK EXCHG MNT HEAD-4028228
EAA0304G80A	PLUS 4 QCK EXCH DVC 4028629
ZEEWH337AU9	TECHNICAL DOCUM EEWH337A
EAL0467G92A	DECAL TC LEVER WARNING
EAL0462G67A	DECAL SNAP-ON SERVICE 24229
EAL0462G12A	LABEL DANGER PELIGRO 23179
EAL0467G48A	LABEL PEDALS (B) 22671
EAL0413G34A	LABEL INFLATOR 22669
EAL0408G21A	LABEL DRAIN (22188)
EAL0383G30A	LABEL (B) - 19868
EAL0408G42A	LABEL DANGER 17694
EAL0413G17A	LABEL DANGER 17692
EAL0408G43A	LABEL DANGER (B) 17691
EAL0467G92A	DECAL TC LEVER WARNING
EAL0476G31A	LABEL AIR TUBING LINE
EAL0424G39A	PEDAL STOP REMOVAL LABEL
EAL0352J21A	DECAL ADD OIL
EAL0352J15A	LABEL-SNAP-ON, WHITE - 11 IN
EAL0352J12A	LABEL-SNAP-ON S WHITE
EAL0408G78A	LABLE PROTECTIVE DEVICE
EAL0408G12A	LABEL PATENTS (33772)
EAL0413G36A	LABEL WARNING 29380
EAL0408G43A	LABEL DANGER (B) 17691
EAL0383G36A	LABEL 17273
EAL0383G34A	LABEL DANGER (16524)
EAL0408G25A	LABEL PRESSURE MIN MAX 16352
EAL0462G72A	LABEL GAUGE 15972
EAL0408G24A	LABEL OIL (10724)
EAL0423G74A	LABEL 2 SPEED 0025430
EAA0329G34B	MH320 BEAD ASSIST 6027703



REF#	QTY	PART NUMBER	DESCRIPTION
1	1	EAS2029J62A	SIDE PANEL WITH COVER
2	1	1-30901A2	SCREW TE 6X20 8G
3	1	1-1548	WASHER-LOCK D.6
4	1	EAC0100G96A	TOWER COVER BASE
5	2	1-19341A	WASHER FLAT 5,3X15 UNI6592 DIN 9021
6	4	1-14809A	SCREW TCEI 5X10 8G
7	2	1-13241	WASHER,FLAT, D.6
8	1	EAA0349G76A	RING- BOX, GREASE
9	2	1-31101A	SCREW, HEX HEAD MACHINE 6X30 8.8
10	1	EAM0168G02A	ARM.BEAD BREAKER SPACER
11	1	EAC0097G51A	WASHER - SHOCK ABSORBER
12	1	EAC0099G22A	PAD- SUPPORT, BEADBREAKER
13	7	1-16409A	SCREW TCEI 6X20 8G
14	1	EAC0078G03A	CIRCULAR RUBBER FOOT
15	4	EAC0097G52A	FOOT-SQUARE
16	2	1-17741	WASHER D.8
17	2	1-11733	NUT M8
18	1	EAC0087G79A	LONG , PEDALS PROTECTION
19	2	1-17741	WASHER D.8
20	2	1-17609A	SCREW, 8X16 8.8 UNI5931-67
21	2	EAC0087G80A	CUP, FOR LONG PEDALS PROTECTION
22	1	1-11733	NUT M8
23	1	1-17741	WASHER D.8
24	1	EAS2100G95A	PEDAL-REVERSER PROTECTION
25	1	1-17741	WASHER D.8
26	1	1-32601	SCREW TE 8X20 8.8
27	1	EAL0442G87A	STICKER, PEDALS
28	2	1-32501A	SCREW 8X16 8G
29	2	1-17841	WASHER - D. 8X24
30	1	EAS2115G83A	PROTECTOR, PEDAL
31	2	1-17741	WASHER D.8
32	1	EAL0413G34A	STICKER- INFLATOR
33	2	1-11733	NUT M8



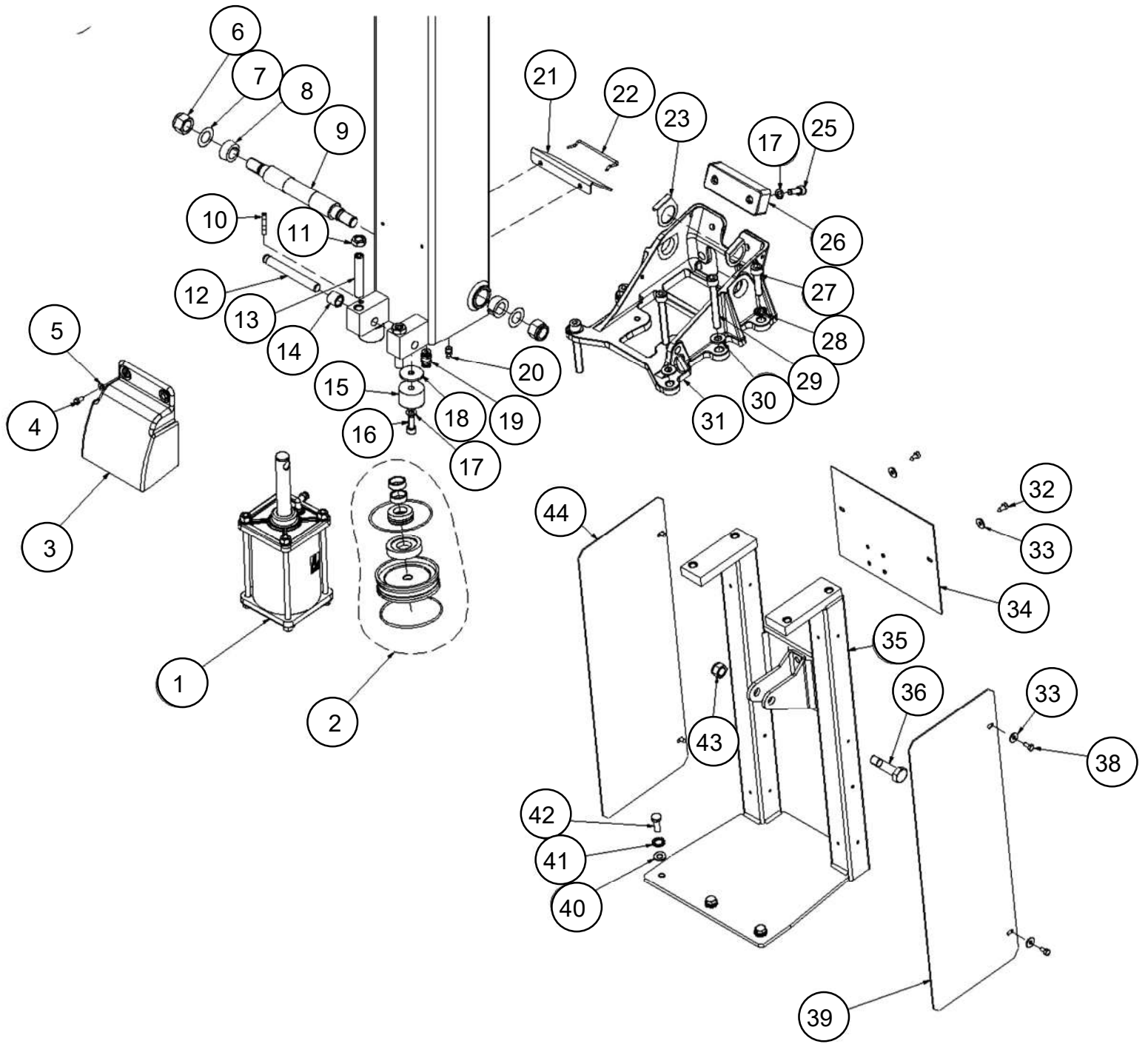
REF#	QTY	PART NUMBER	DESCRIPTION
1	1	EAA0482G05A	INVERTER GROUP-14 RPM ENHANCED
2	1	EAC0103G88A	COVER FOR INVERTER BOX
3	1	2-14861A	SWITCH POWER BIPOLAR
4	1	EAA0384G22A	PRESSURE LIMITING VALVE
5	1	EAA0481G28A	ROTARY CAM SWITCH GROUP
6	1	EAC0100G22A	Cable protection
7	1	EAA0489G30A	LUBRICATOR FILTER GROUP
8	1	EAK0330G49A	NA LUB FILTER FIXING KIT
9	1	EAA0439G90A	QR FILTER PRES RED LUBRCA ASSY
10	1	EAK0315G99A	FITTINGS KIT FOR FILTER
11	1	EAA0384G14A	QR GT PEDAL WITH ENDSTROKE
12	1	EAA0329G75A	VALVE, BEAD INFLATING
13	1	EAS2134G52A	GT PEDAL SUPPORT
14	1	EAK0306G33A	SCREWS AND BOLTS FOR GT PEDAL
15	1	ST4029114	INFLTR BD BLST PED EAS2068G87A
16	1	ST7023119	PIN-STRAIGHT SLOTTED 4 X 30
17	1	EAK0306G32A	SCREWS AND BOLTS FOR GT VALVE
18	1	EAA0350G84A	REDUCING GROUP W/CONNECTIONS
19	1	1-12379A	MULTI-TEE 08-06
20	1	1-09176A	CAP, FITTING D6
21	1	EAK0317G29A	INVERTER INSTALLATION KIT



REF#	QTY	PART NUMBER	DESCRIPTION
1	8	1-23252A	PIN D6x30 UNI-EN 28734B
2	2	EAM0048G27A	SUPPORT FOR SLIDING ROD 70x50
3	1	EAA0344G31A	ROD ELEVATOR
4	1	EAM0053G47A	HEXAGONAL ROD
5	2	EAC0094G02A	RING, SHOCK-ABSORBER
6	1	EAA0344G32A	VERTICAL LOCKING CYLINDER
7	1	EAS2096G70A	PROTECTIONS SUPPORT
8	2	EAC0094G00A	ARM RETAINING SCREW
9	2	1-26103A	SCREW TSEI 10X35 10.9
10	2	1-19633B	NUT- M10 6S BLK UNI5589-65
11	3	1-17741	WASHER d.8
12	1	1-17809A	SCREW 8X25 8.8 A2J UNI5931-67
13	1	EAS2096G72A	VERTICAL STRANGLE
14	2	EAM0053G48A	CAM SUPPORT FRONT H STRANGLE
15	1	EAM0053G49A	HORIZONTAL STRANGLE
16	1	EAS2096G74A	H STRANGLE PLATE
17	1	EAM0053G50A	LOCKING CAM
18	1	EAS2096G75A	HOOK SPRING PLATE
19	1	EAS2096G76A	SPIRAL PIPES CONNECTION SHEET
20	4	1-51401A	HEX SCREW M16 x 150 ISO 4014 Zinc.
21	4	1-25941A	PLANE WASHER D16x27x2.5 UNI1750 ZINC
22	2	EAM0053G51A	SPRING-RECALL, LEVER, LOCKING
23	2	EAM0053G52A	SLIDING ROD ROLLER
24	2	EAM0053G53A	SLIDING ROLL 70x50 ROD
25	4	EAM0053G54A	ROD 70x50 SLIDING ROLL REGISTER
26	4	1-15933A	NUT M8 DIN 936 - UNI 5589
27	2	1-51910A	SCREW STEI 6X30 12K
28	2	1-14810	SCREW SSCR M12x40 DIN 913 Burn.
29	4	1-22733A	NUT - M12 6S
30	2	EAM0053G55A	CAM RETURN SPRING

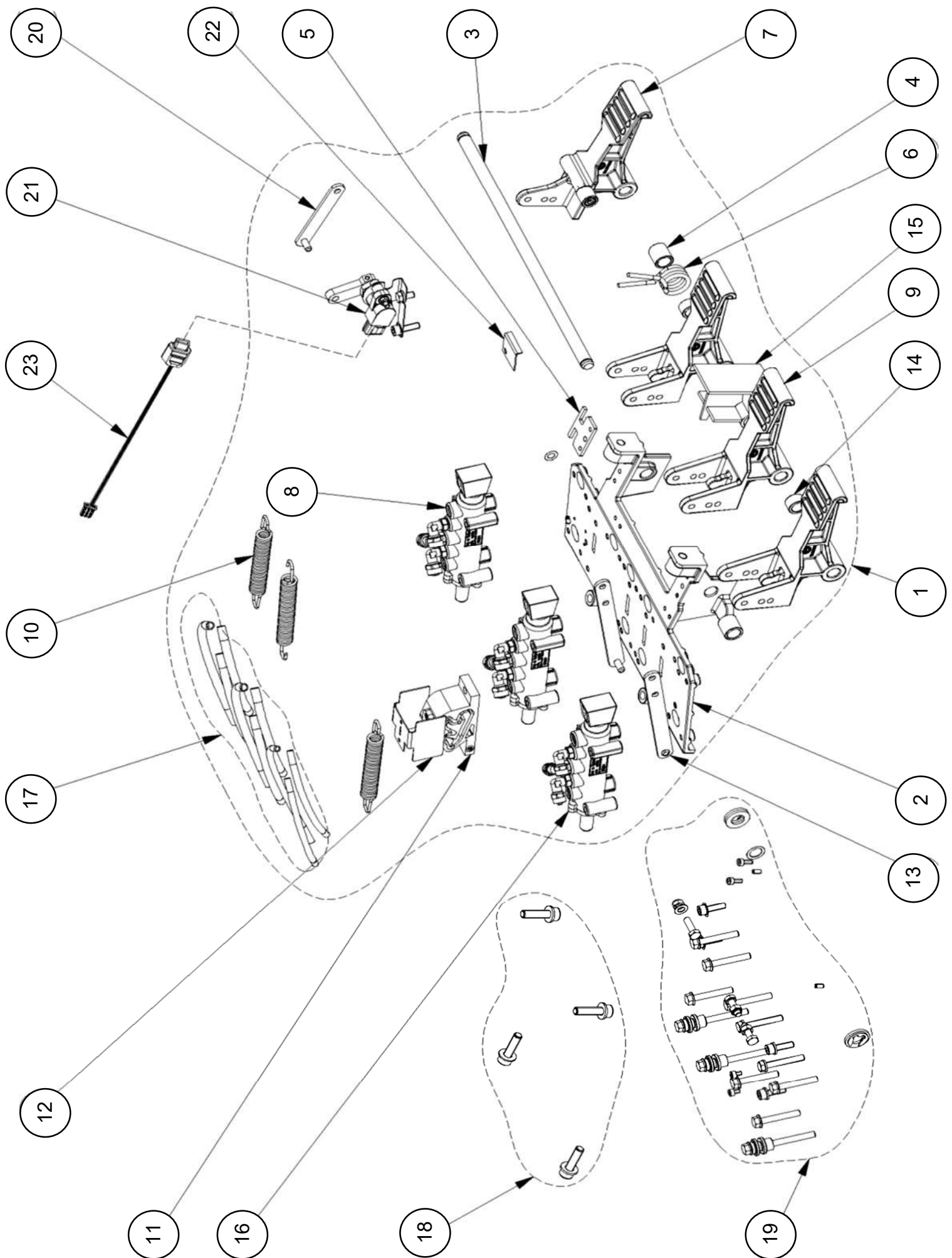
REF#	QTY	PART NUMBER	DESCRIPTION
31	1	1-20041A	WASHER - d.6X18
32	5	1-13241	WASHER,FLAT, d.6
33	1	1-23152A	SPLIT PIN D5x28 UNI 1336 Zinc
34	1	EAM0053G58A	SPRING PIN
35	7	1-25841A	PLANE WASHER Di 8.4x14x1.6 UNI6592 ZINC
36	2	1-30609	SCREW, HEX SOCKET HEAD M/8x65
37	1	EAM0053G60A	SPIRAL PIPE POLYURETHAN ø6x4
38	1	EAM0053G59A	SPIRAL PIPE POLYURETHAN ø6x4
39	1	EAC0094G14A	BODY,HANDLE FIXING
40	1	EAA0338G09A	VALVE,LIFT CONTROL
41	1	EAC0094G03A	HANDLE, RIGHT ST.1801
42	2	1-14701A	SCREW HEX HEAD MACHINE 6X16 8G
43	2	1-9933	NUT, PREVAILING TORQUE M6
44	1	1-32701A1	SCREW M8X25
45	4	1-21223A	SCREW, SELF-TAPPING (M3.5X13MM)
46	4	1-11204A2	SCREW,TCB PHILIPS HEAD M3X10
47	1	EAM0053G61A	ROLLER, MODIFIED D.4X25,8
48	2	1-16509A1	SCREW TCEI 6X25 8G
49	1	1-30109A	SCREW
50	2	1-39901A	SCREW M 8X50 ISO4017 - DIN933
51	2	EAM0053G62A	SPRING ADJUSTMENT
52	1	1-15433	NUT M10 YELLOW ZINCKED DIN 934
53	1	1-13310	SCREW 10X30 12K
54	1	EAM0053G63A	WASHER- REINFORCEMENT
55	1	1-15079A	FITTING 1/8-4
56	1	1-26981A	VANNE,EXHAUST-QUICK 1/8
57	1	EAM0032G91A	MUFFLER 1/8
58	1	1-15379A	FITTING-90 DEG,FIXED L 4X6 1/8
59	2	1-17833A	HEX.NUT M6 6S
60	1	1-23352A	PIN - 6X40
61	1	1-26481A	SPEED CONTROLLER FLAT

REF#	QTY	PART NUMBER	DESCRIPTION
62	1	EAA0344G33A	CYLINDER ø63
63	1	1-48601A	SCREW 10X100 10.9 A2R UNI5737-65
64	1	1-10133	NUT -S.LOCK,LOW - M10
65	1	EAA0362G33A	LEFT HANDLE WITH INSERTS
66	2	EAM0053G70A	
67	1	EAA0329G95A	MOUNTING/DEMOUNTING TOOL
68	1	EAM0032G02A	WASHER- TOOL CLAMPING
69	1	1-11579A	FITTING-STRAIGHT 4X6 1/8
70	1	EAC0087G88A	CENTRAL SPIRAL PIPES PROTECTION
71	1	EAC0087G85A	SPIRAL PIPES PROTECTION
72	4	EAC0087G97A	CLAMP
73	4	1-24823A	SCR, PHIL PNH 3.5 x 16 mm ISO 7049-F
74	1	1-34301A	SCREW HEX 10X20 8G
75	1	1-14909	SCREW
76	4	1-3477	RING- SNAP, SHAFT d.8
77	1	EAA0372G24A	PROTECTIONS FOR MOUNTING TOOLS (optional)
78	2	1-07667A	TENSION SPRING
79	1	EAM0086G10A	CENTRAL UPPER PROTECTION TILTING TOW
80	8	1-54609A	SCREW M6 x 10mm ISO7380 Zinc.
81	1	EAC0087G84A	PROTECTION-UPPER, TOWER

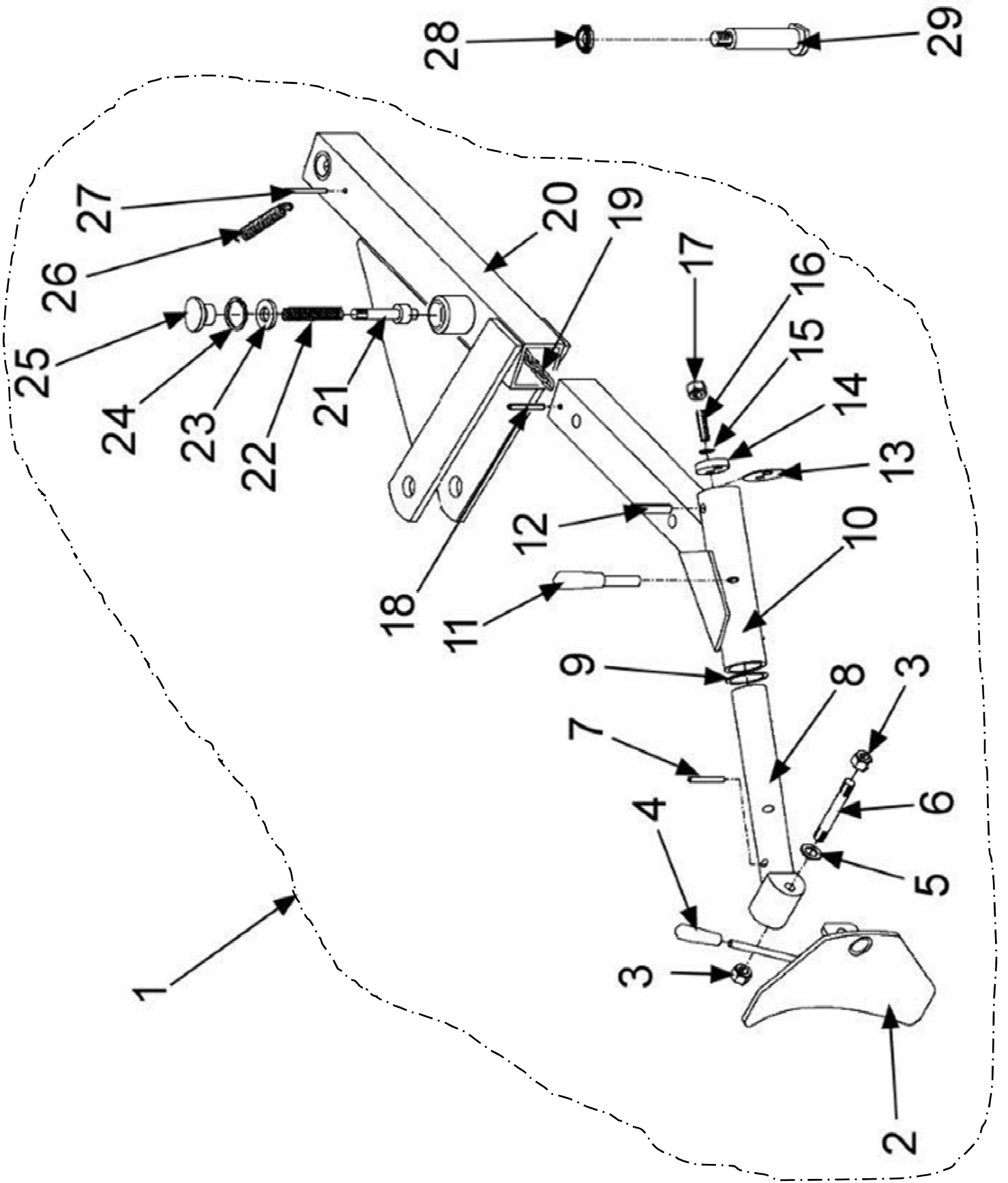


REF #	QTY	PART NUMBER	DESCRIPTION
1	1	EAA0356G14A	CYLINDER TILTING TOWER
2	1	EAA0356G43A	SEALS,KIT FOR TILTING-TOWER CYLINDER D KIT
3	1	EAC0094G25A	FRONT PROTECTION TOWER
4	8	1-24423A	SCREW -S.THREAD, 10EX13TE
5	2	1-31241A	WASHER D.5 MM
6	2	1-02637A	NUT - S.LOCK,HIGH- M16 5S
7	2	EAM0051G74A	WASHER-SHIM 30X17X0.3
8	2	EAM0075G52A	BUSHING,CONIC - TOWER
9	1	EAM0051G65A	TOWER - AXLE PIN
10	1	EAM0127G83A	HEX SCREW M6X35 WORKED
11	4	1-22733A	NUT - M12 6S
12	1	EAM0127G82A	CORE PISTON D12MM
13	2	1-52010A	SCREW STEI M12X70 12.9
14	1	EAM0125G79A	BUSHING, CENTERING- SPRING
15	2	EAC0094G07A	PAD, SHOCK-ABSORBER
16	4	1-17709	SCREW TCEI 8X20 8G
17	7	1-25841A	PLANE WASHER DI 8.4X14X1.6 UNI6592 ZINC
18	2	EAM0075G51A	WASHER Ø8.5X34
19	1	1-15179A	STRAIGHT FITTING RAPID CONNECTOR 6X4
20	1	1-18084A	GREASER-NIPPLE M8X1,25
21	1	EAS2130G10A	PROTECTION, REAR- TOWER
22	1	EAM0006G49A	RETAINER-FLAP
23	2	EAM0086G15A	C67 WASHER THK 0.8
25	4	1-17709	SCREW TCEI 8X20 8G
26	1	EAM0080G29A	CLAMP,OVERTURNING
27	2	1-19409	SCREW TCEI 10X40
28	5	1-3148	EXT.SHAKEPROOF D.10 DIN 6798/A
29	4	1-57309A	SCREW TCEI 10X80 8G ZINC.BIANC UNI 5931-

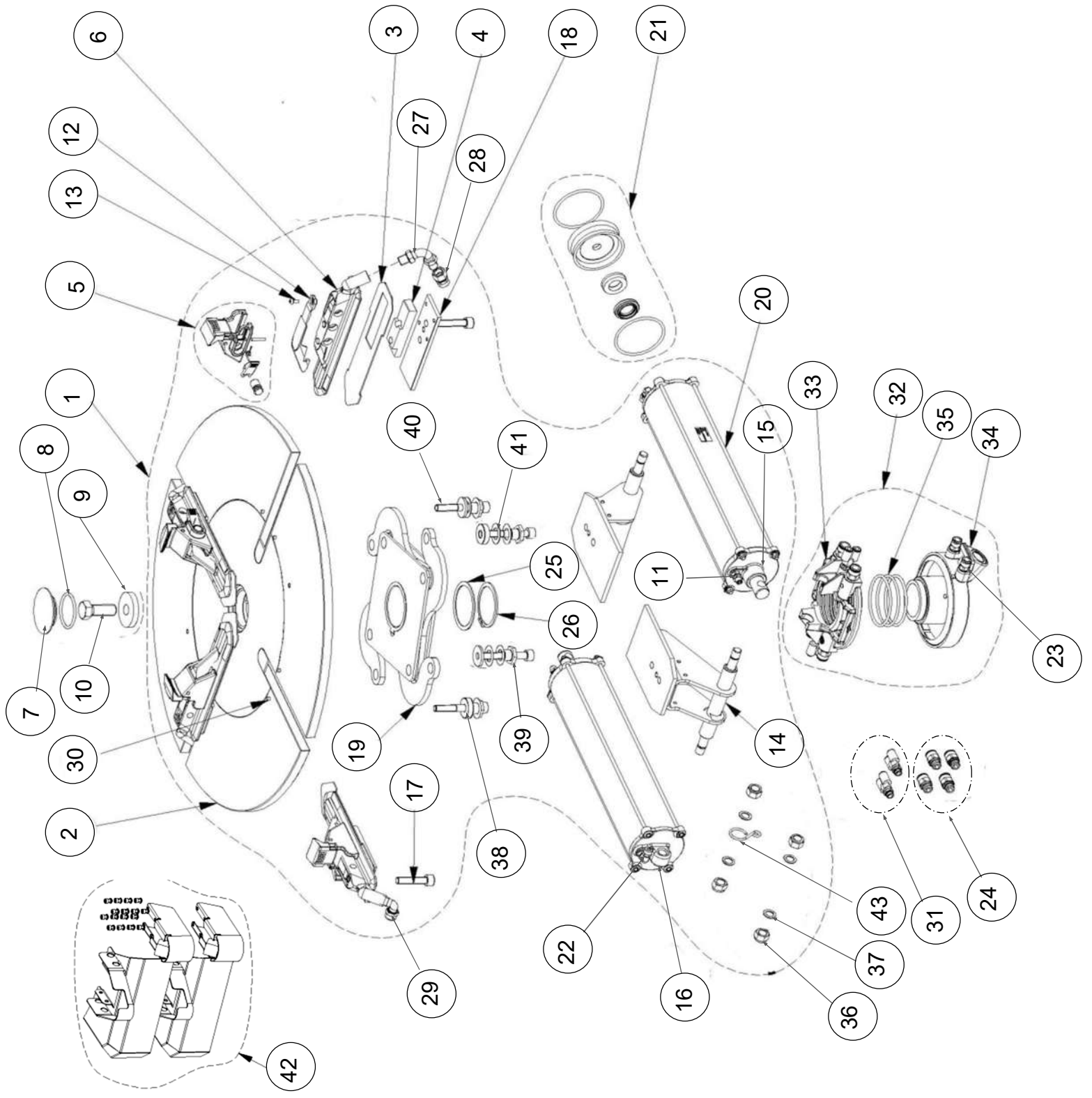
REF #	QTY	PART NUMBER	DESCRIPTION
30	4	1-10141A1	WASHER P.d.10
31	1	EAM0080G77A	TOWER SUPPORT MACHINED
32	8	1-24423A	SCREW -S.THREAD, 10EX13TE
33	6	1-19041A	WASHER 5X16X1
34	1	EAA0376G51A	TIMING CASE, BACK
35	1	EAS2111G07A	BACK SUPPORT , TILT POST
36	1	EAM0069G81A	CYLINDER FITTING SCREW
38	8	1-24423A	SCREW -S.THREAD, 10EX13TE
39	1	EAS2087G76A	TIMING CASE, SIDE
40	3	1-10041	WASHER D.8
41	5	1-3148	EXT.SHAKEPROOF d.10 DIN 6798/A
42	3	1-32601A	SCREW TE 8X20 8G
43	1	1-19933A	NUT - LOCK - M12 DIN985
44	1	EAA0502G16A	BLK LATERAL COVER



REF#	QTY	PART NUMBER	DESCRIPTION
1	1	EAA0440G83A	4P CONTROL PEDAL WITH POTENTIOMETER
2	1	EAM0068G80A	PEDAL ASM SUPPORT - MACHINED
3	1	EAM0068G10A	SHAFT-HINGE, PEDAL
4	2	EAM0048G79A	BUSHING, CENTERING- SPRING
5	1	EAM0070G32A	COMMUTATOR SPRING GUIDE
6	1	EAM0075G56A	SPRING, PEDAL SWITCH 2SPEED
7	1	EAA0356G92A	RIGHT SWITCH FOOT PEDAL
8	2	EAA0356G94A	BEAD BREAKER VALVE
9	3	EAM0068G95A	STANDARD PEDAL - MACHINED
10	3	EAM0147G64A	SPRING RECALL PEDALS
11	1	EAC0103G56A	CAM FOR PEDAL
12	1	EAS2115G09A	PROTECTION SHEET FOR CAM
13	2	EAS2111G73A	ROD POSITIONER PEDAL
14	2	EAM0070G46A	SPACER L=11 mm
15	1	EAC0096G11A	SPACER-PEDAL
16	1	EAA0356G96A	TURNTABLE/ TILTING VALVE
17	1	EAA0364G09A	HOSES KIT FOOT PEDAL ASM 4P - STD
18	1	EAK0279G96A	CONTROL PEDALS MOUNTING KIT
19	1	EAK0279G39A	NUTS/SCREWS FOR FOOT PEDAL ASM
20	1	EAS2132G66A	ROD PEDAL POTENTIOMETER
21	1	EAK0330G64A	PEDAL CABLE WITH POTENTIOMETER
22	1	EAS2140G74A	END STROKE FOR PEDAL
23	1	EAW0286G08A	CABLE FOR CTS POTENTIOMETER

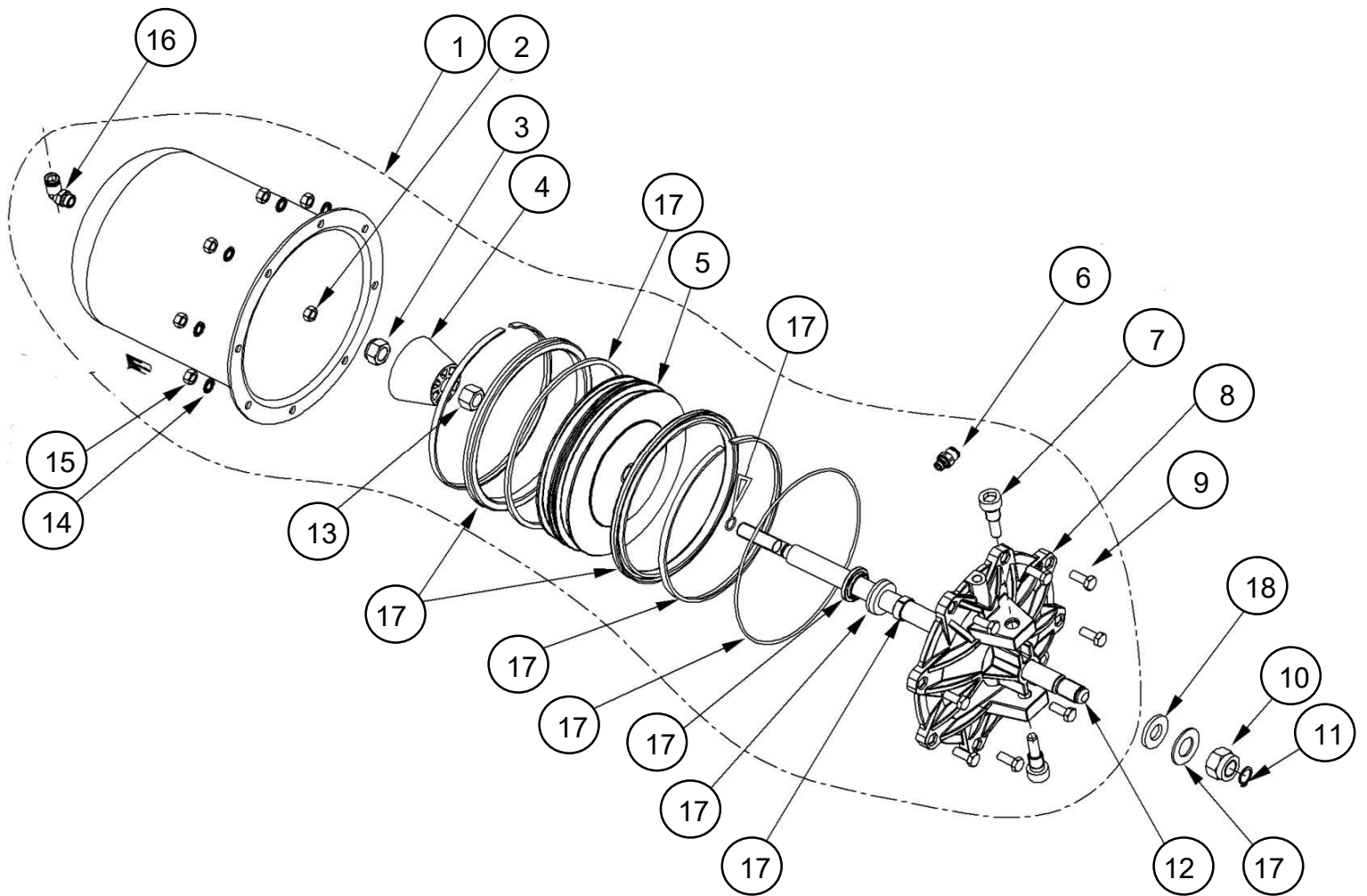


REF	QTY	PART NUMBER	DESCRIPTION
1	1	EAA0328G71A	BEAD BREAKER ARM ASSEMBLY
2	1	ST4022538	BLADE, BEAD BREAKER
3	2	ST7020029	NUT-S.LOCK-HIGH- M14 5S
4	1	EAC0078G04A	HANDLE-RUBBER
5	1	ST7021329	WASHER 14MM
6	1	ST0022545	SCREW, BLADE
7	1	1-19452A	PIN, CYLIN.
8	1	ST4024672	SUPPORT PALLET
9	1	EAM0070G15A	WASHER- ADJUSTMENT
10	1	EAS2133G63A	ARM PALLET
11	1	EAA0328G72A	PIN - LOCK
12	1	ST7023199	PIN-SPLIT 10 X 60
13	1	EAM0087G05A	RING TO SHAVE
14	1	ST0024670	FRICTIONING WASHER
15	2	ST7048079	SPRING -WASHER 10.3 X 22 X 1.25
16	2	1-51110A	SET SCREW M10 X 50
17	2	1-10133	NUT LOCK LOW M10
18	1	ST7023019	PIN-SPLIT 6X50
19	1	EAM0067G00A	STUD CHAIN, ANTI-WITHDR. L=295+300MM
20	1	ST4022521	SUPPORT- BEAD BREAKER ARM
21	1	ST0029414	PIN, PADDLE POSITION
22	1	ST0003523	SPRING- HANDLE, BEAD
23	1	1-10241A	WASHER -PISTON D.12
24	1	ST7022269	RING-SNAP,HOLES D.24
25	1	EAM0086G48A	HANDGRIP
26	1	EAM0006G06A	SPRING
27	1	EAM0056G92A	CLIP 6 X 57.5 DIN1481
28	1	1-02138A	RING NUT,METAL- SELF LOCK.
29	1	EAM0086G16A	FULCRUM-PIN BEAD-BREAKER

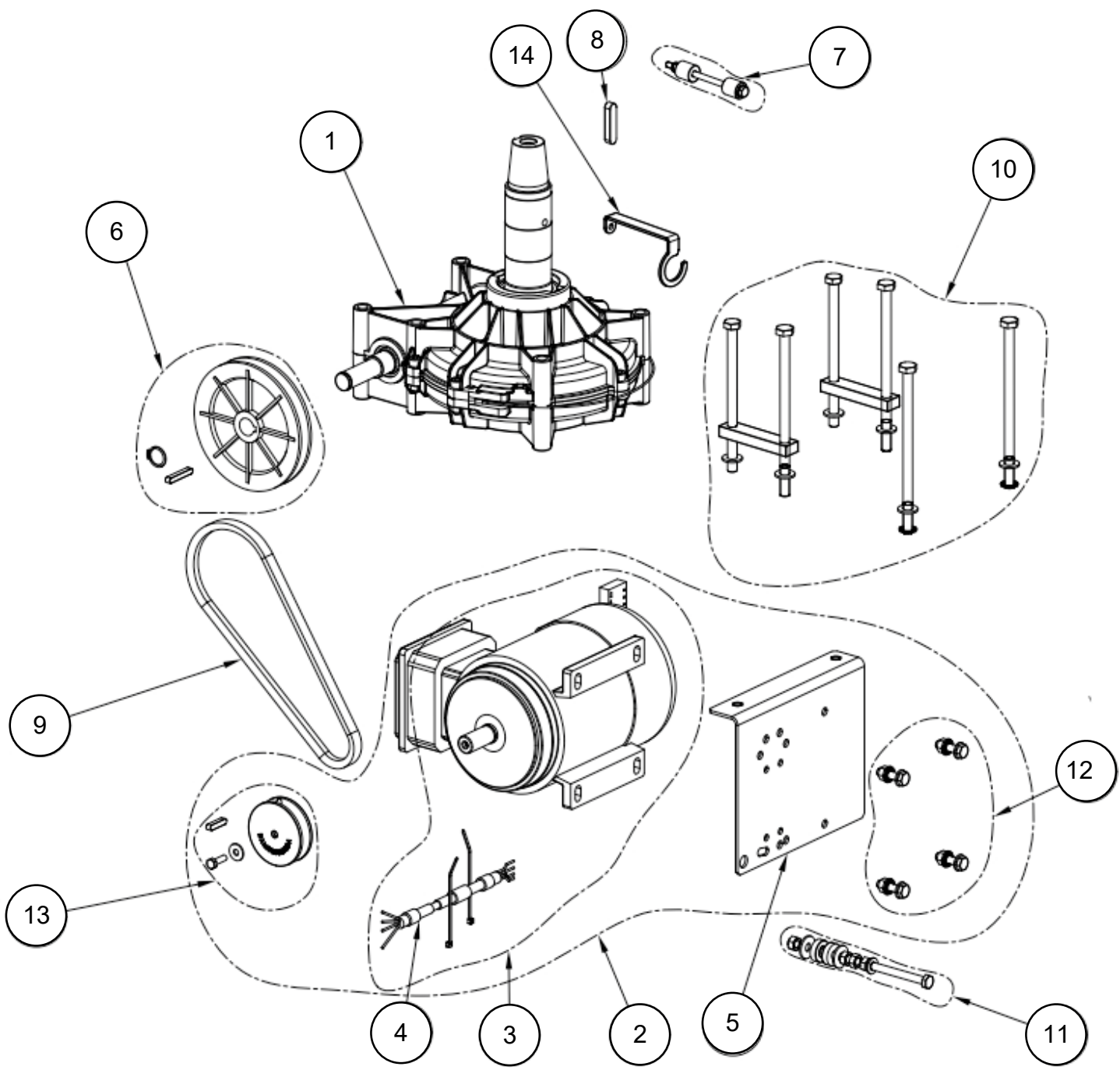


REF	QTY	PART NUMBER	DESCRIPTION
1	1	EAA0458G98A	TURNTABLE CENTR TYPE GT 26 IN
2	1	EAS2153G40A	TURNTABLE CENTER TABLE
3	4	EAM0043G15A	GUIDE TERMINALS CENTRE CONVERG.
4	4	EAM0043G44A	SPACER CLAMP
5	4	EAA0408G29A	ASSEMBLY CLAMP, SLIDING W/CENTRE 26"GT V 2
6	4	EAM0086G02A	CLAMP, SLIDING W/CENTRE 26"
7	1	EAC0087G47A	PROTECTION-TURNTABLE
8	1	8-11714A	O-RING
9	1	EAS2092G32A	WASHER
10	1	1-51101A	SCREW
11	2	1-27179A	STRAIGHT FITTING 4x6 1/8
12	4	EAC0099G90A	PROTECTION JAWS NEW ST. 1901
13	4	1-36109A2	SCREW TBEI 5X10 8G
14	2	EAM0051G76A	WASHER ø10x30x3
15	2	EAC0087G44A	FRONT CYLINDER FLANGE
16	2	EAC0087G43A	REAR CYLINDER FLANGE
17	4	1-54409A	SCREW, 10X50 12.9 BLK UNI 5931
18	2	EAM0043G49A	PLATE REGISTER CLAMP
19	1	EAA0351G73A	CLAMP ACTIONING PLATE
20	2	EAA0410G31A	SELF CENTERING CYLINDER
N/S	1	EAK0306G25A	TURNTABLE FIXING KIT (contents below)
	1	EAC0087G47A	PROTECTION-TURNTABLE
	1	8-11714A	O-RING
	1	EAS2092G32A	WASHER
	1	1-51101A	SCREW
21	2	EAK0317G36A	SEAL FOR ROUND CYLINDER
22	2	1-18879A	FITTING - L 4x6 1/8"
23	2	1-11379A	FITTING 4x6 1/8"
24	4	1-14679A	RAPID CONNECTOR 1/4" ø10
25	1	EAM0051G85A	SUPPORT WASHER

REF	QTY	PART NUMBER	DESCRIPTION
26	1	1-18677A	SEEGER UNI 7435 ROD ø60
27	2	EAM0051G83A	PIPE FOR BS CLAMP
28	2	1-14479A	RAPID CONNECTOR
29	2	1-14379A	RAPID CONNECTOR
30	8	1-25952A	DOWEL PIN 5MMX10MM
31	2	1-13579A	FITTING "Y" 4x6 1/8"
32	1	EAA0304G69A	QR REVOLVING MANIFOLD 4025382
33	1	EAA0338G76A	COLLECTOR EXTERNAL RING
34	1	EAA0338G27A	INNER COLL. WITH SCREW
35	3	8-10814A	OR ø69.44x3.53 OR4275 ANGST PFISTER
N/S	1	EAC0087G50A	FRONT GASKET BS
N/S	1	EAA0338G77A	GASKET SEAL SPRING
36	4	1-19933A	NUT M12
37	4	1-24641A	WASHER ø12,2x18x1 DIN 988
38	2	EAM0051G75A	SLIDING ROD SPACER
39	4	EAM0043G19A	EAM0043G19A
40	4	1-54409A	SCREW, 10X50 12.9 BLK UNI 5931
41	8	EAM0051G74A	WASHER 30x17x0.3
42	1	EAA0458G97A	ANTI ENTRAPMENT PROTECTION KIT, 26
N/S	4	EAM0154G76A	SPRING- PROTECTION, AIR HOSE
N/S	2	EAM0140G93A	PIPE SPIRAL BLACK 10X6.5X2.75S d74
N/S	5	5-845	TIE WRAP
N/S		5-06435A	4X6 HOSE
N/S	1	EAK0317G12A	JAW PROTECTION KIT
	4	EAC0113G47A	FRONT PROTECTION JAWS V2
	4	EAA0408G24A	REAR PROTECTION JAWS V2
n/s	1	EAS2138G25A	HOSE. CONNECTION - RUBBER
	1	ST2072705	HOSE HIGH PRESSURE RUBBER

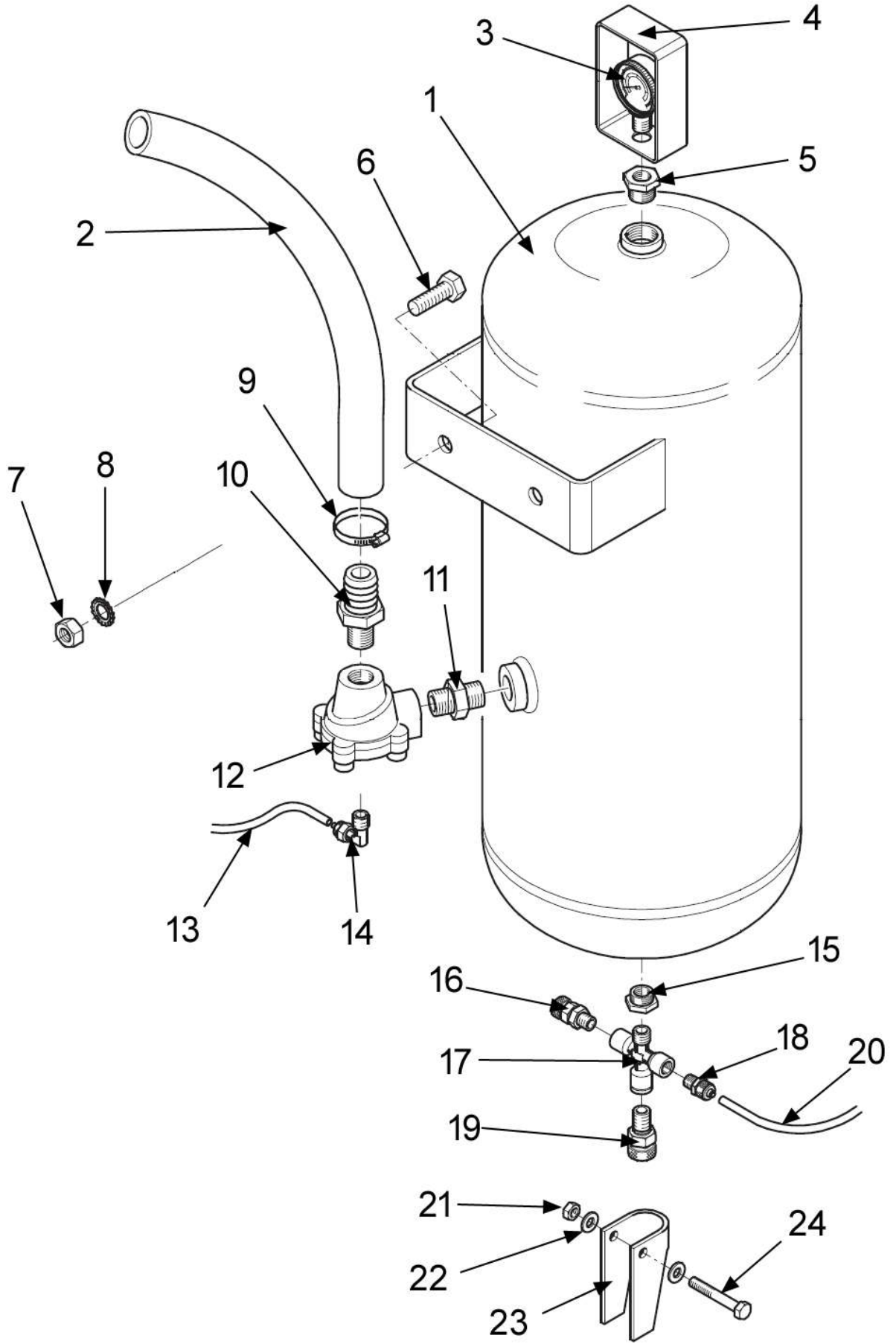


REF #	QTY	PART NUMBER	DESCRIPTION
1	1	EAA0329G49A	COMPLETE CYLINDER ASSEMBLY
2	1	1-16433A	NUT 1/4" X 0.25"
3	1	ST7020409	NUT-S.LOCK,LOW- M14
4	1	EAM0048G04A	LIMIT SWITCH RUBBER PAD
5	1	ST0009279	PISTON
6	1	ST0001924	FITTING-ST 6 X 8 1/8
7	2	EAM0067G34A	SCREW,FITTING- CYLINDER B/BREAK
8	1	ST0013409	END CAP-CYLINDER/BEAD BREAKER
9	8	1-32601	SCREW TE 8 X 20 8.8
10	1	1-20933A	NUT
11	1	1-3977	RETAINING RING FOR SHAFTS D16
12	1	EAM0048G07A	ROD BEAD-BREAKER CYLINDER
13	1	1-20433A1	NUT-LOCK M14 6S WHITE ZINC
14	8	1-1748	WASHER SHAKEPROOF D8
15	8	1-15933A	NUT-HEX M8 - 1.25MM
16	1	1-20179A	FITTING "L" 6 X 8
17	1	EAK0306G19A	CYLINDER RE-SEAL KIT



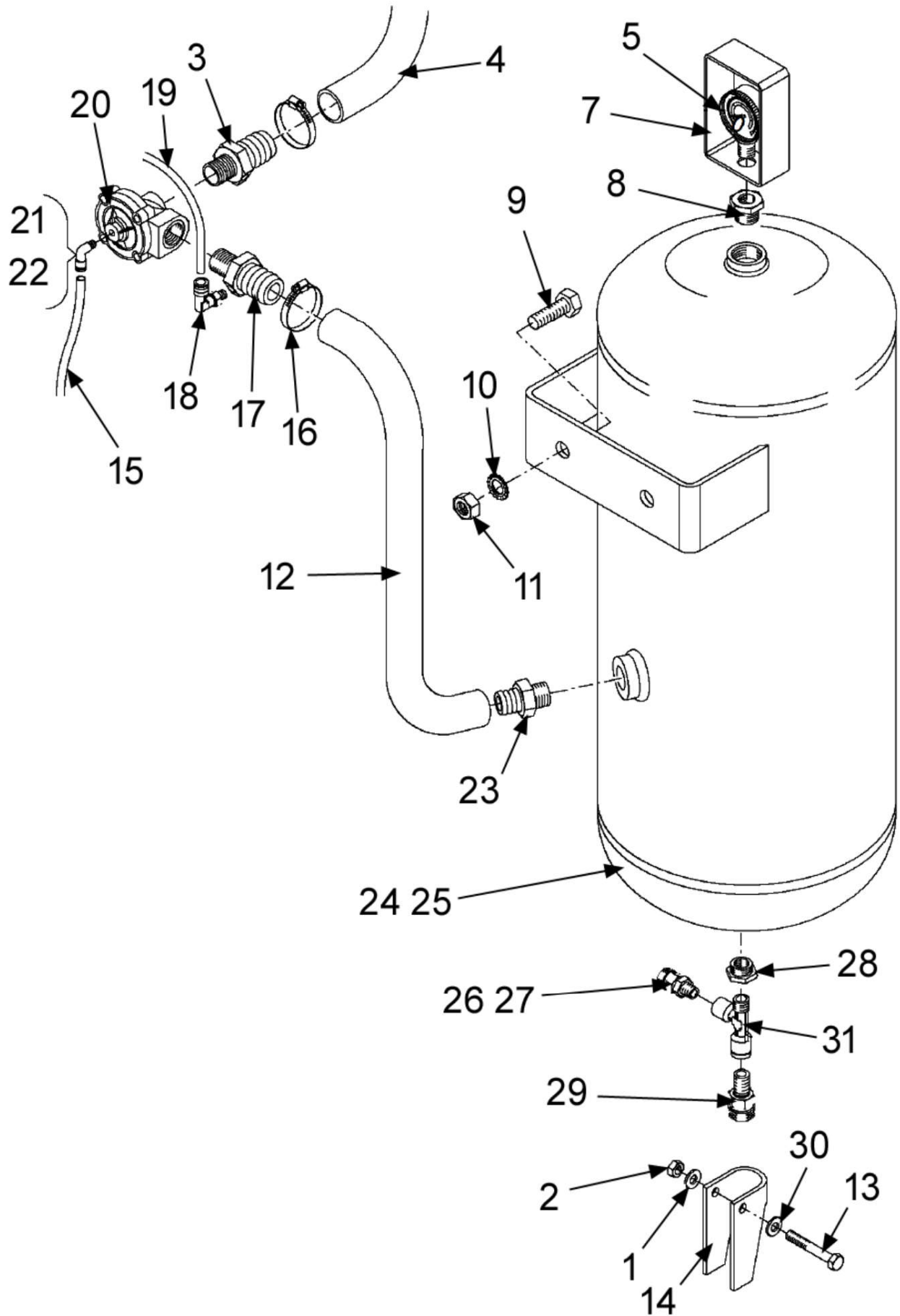
REF #	QTY	PART NUMBER	DESCRIPTION
1	1	EAA0457G27A	GEARBOX
2	1	EAA0481G56A	H/S & CSA MOTOR ASM FOR INVERTER
3	1	EAA0410G02A	HIGH SPEED MOTOR W/CABLE FOR INVERT. CSA
4	1	EAW0283G37A	UL MOTOR CABLE WITH CONNECTOR
5	1	EAS2131G28A	MOTOR SUPPORT
6	1	EAK0306G14A	REDUCTION UNIT PULLEY KIT
7	1	EAK0279G67A	ANTIROTATION KIT
8	1	1-1572	KEY-10X8X45
9	1	EAC0099G95A	BELT, A27
10	1	EAK0306G75A	KIT SCREW FOR GEARBOX
11	1	EAK0279G66A	BELT TIGHTENER KIT
12	1	EAK0279G66A	BELT TIGHTENER KIT
13	1	EAK0330G26A	MOTOR D. 60 PULLEY KIT
	1	EAM0125G93A	PULLEY, 1 GROOVE 60HZ
	1	1-472	KEY 6X6X28
	1	1-20041A	WASHER - FLAT M6.4X18X1.6
	1	1-32801A1	SCREW HEX HD MACH 8X30
14	1	EAS2140G91A	SUPPORT REV MAINFOLD HOSES

EAA0364G01A Tank used from 03/2024 (TxxCTxxx)
Items 6, 7, 8 not included in Assembly

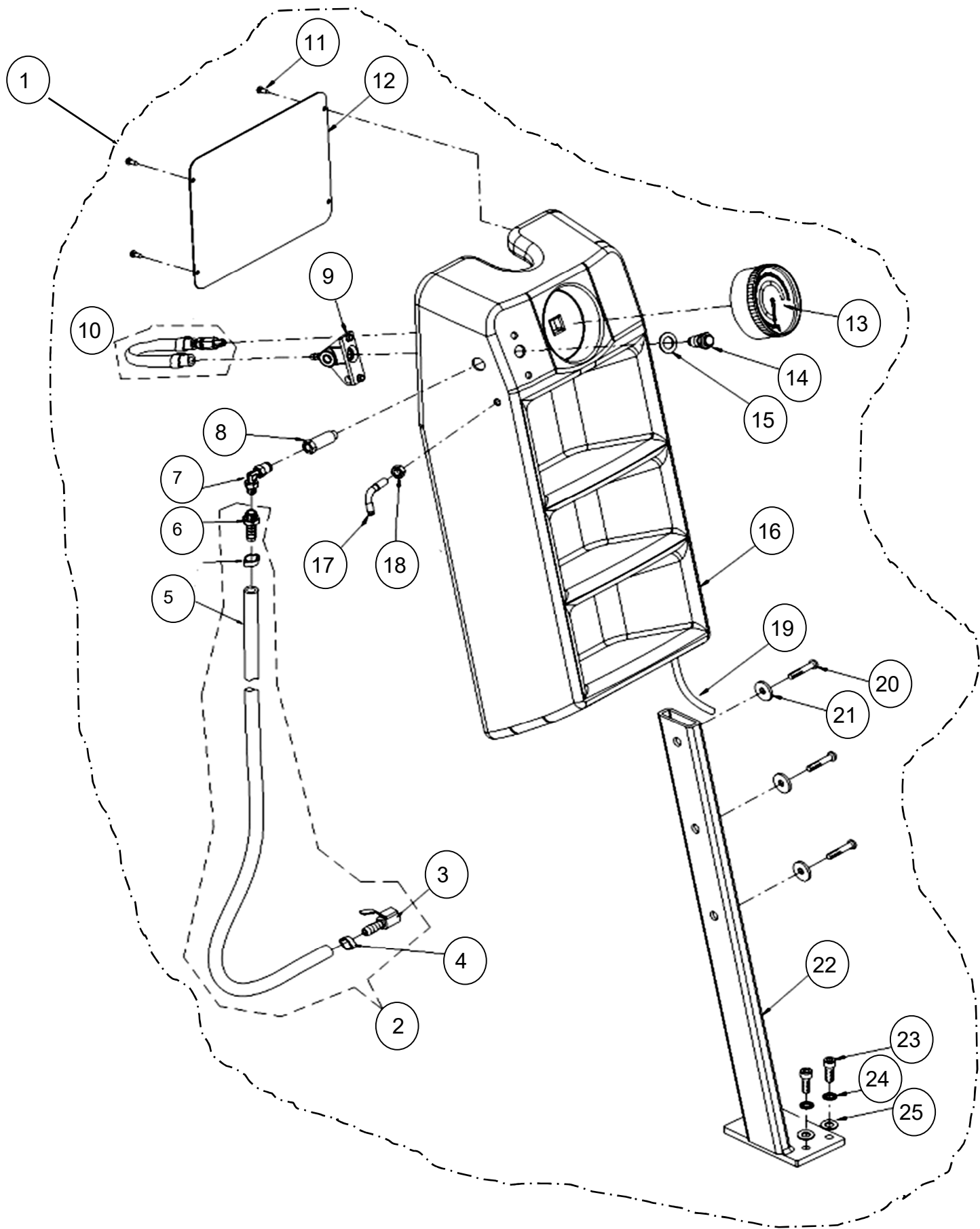


REF	QTY	PART NUMBER	DESCRIPTION
1	1	EAS2089G67A	AIR TANK, CE/UKCA, BLACK PAINTED
2	MR	2072705	HOSE, AIR SOLD BY THE METER
3	1	8-06120A	MANOMETER D.40
4	1	EAM0074G01A	PROTECTION, MANOMETER
5	1	1-12579A	STRAIGHT, FITTING MF 1/2"-1/8"
6	2	1-34501A	SCREW 10 MM - 1.5 X 30
7	2	1-15433	NUT M10 X 8 MM
8	2	13148	WASHER M10 EXT SHAKEPROOF
9	1	EAM0075G29A	CLIP LOCKING HOSE
10	1	EAM0071G99A	1" HOSE FITTING
11	1	1-16579A	CONIC 1" NIPPLE
12	1	1-29581A	1" VALVE, AIR-CONTROLLED
13	MR	5-06435A	HOSE AIR 4 X 6 SOLD BY THE METER
14	1	1-17179A	FITTING 90DEG 4 X 6MM 1/4"
15	1	1-16679A	ADAPTER MF 1/2-1/4"
16	1	1-31381A	VALVE ASME SAFETY 1/4" BSPT
17	1	1-16779A	FITTING, CROSSED FFFM 1/4"
18	1	1-16879A	FITTING STRAIGHT 6 X 8 1/4"
19	1	1-29481A	TAP, CONDENSED WATER
20	MR	5-06335A	HOSE, AIR 6 X 8 SOLD BY THE METER
21	1	1-11733A	NUT M8, BLK
22	1	1-10041	WASHER D.8
23	1	EAM0074G02A	PROTECTION
24	1	1-39901A	SCREW M8 X 50

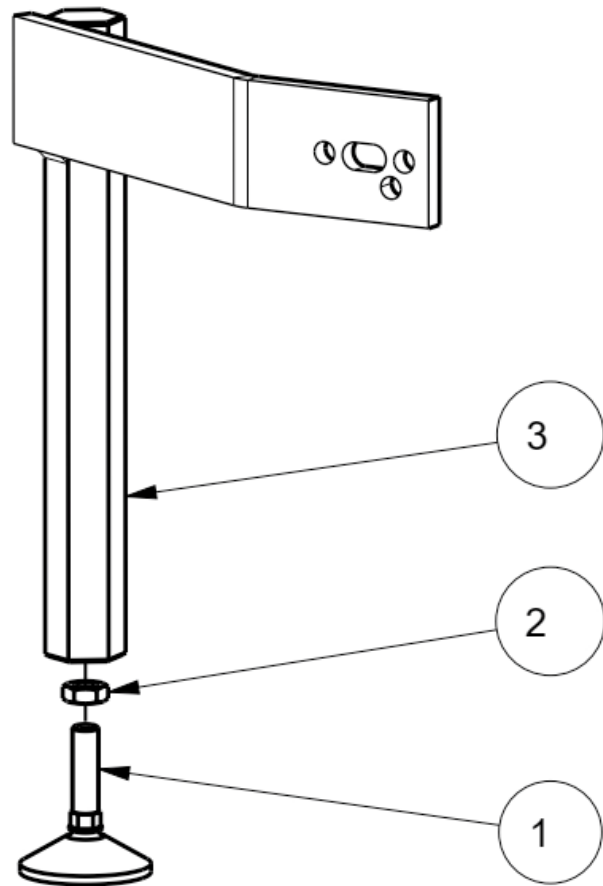
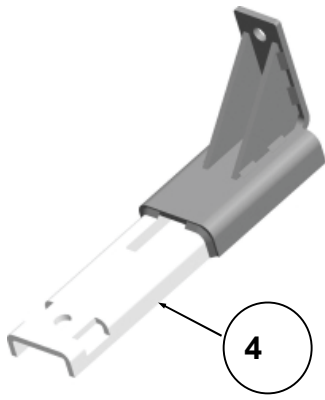
Tank Assembly used up to 02/2024 (TxxBTxxx)



REF	QTY	PART NUMBER	DESCRIPTION
1	1	1-10041	WASHER D.8
2	1	1-15933A	NUT-HEX M8 - 1.25MM
3	1	EAM0071G99A	FITTING , SUPPORT M1"-20
4	MR	2072705	HOSE, AIR SOLD BY THE METER
5	1	8-06120A	MANOMETER-RADIAL 0-16 D.40
7	1	EAM0074G01A	PROTECTION, MANOMETER
8	1	1-16679A	REDUCTION MF 1/2"-1/8" CIL.
9	1	1-34501A	SCREW TE 10 X 30 8G
10	1	1-1348	EXT.SHAKEPROOF
11	1	1-15433	NUT M10 YELLOW ZINCKED DIN 934
12	MR	2072705	HOSE, AIR SOLD BY THE METER
13	1	1-39901A	SCREW M8 X 50
14	1	EAM0074G02A	PROTECTION
15	MR	5-06435A	HOSE AIR 4 X 6 SOLD BY THE METER
16	4	EAM0075G29A	CLIP LOCKING HOSE 25793
17	1	15658	FITTING -RUB HOLDER 1" LONG
18	1	1-17279A	ELBOW FITTING 6 X 8 1/8"
19	MR	5-06435A	HOSE AIR 4 X 6 SOLD BY THE METER
20	1	1-29581A	AIR OPERATED SOLENOID VALVE
21	1	1-17179A	ELBOW FITTING 4 X 6 1/4"
22	1	1-15779A	ELBOW FITTING 4 X 6 1/8"
23	1	EAM0071G99A	FITTING , SUPPORT M1"-20
24	1	EAS2089G67A	TANK - INFLATOR
25	1	EAS2090G17A	TANK - INFLATOR "ASME"
26	1	ST0005803	VALVE, PRESS.RELEASE 1/4"
27	1	1-31381A	VALVE, ASME SAFETY, 1/4" BSPT
28	1	1-16679A	ADAPTER MF 1/2-1/4
29	1	1-29481A	TAP, CONDENSED WATER
30	1	1-10041	WASHER D.8
31	1	1-19079A	T-FITTING MFF 1/4"



REF	QTY	PART NUMBER	DESCRIPTION
1	1	EAA0410G56C	KPA/PSI TOOL STORAGE BOX W/SUPPORT
2	1	EAA0481G30A	HOSE INFLATION WITH CHUCK AND FITTINGS
3	1	1-28579A	INFLATING STRAIGHT CLIP CHUCK – ¼"
4	2	1-03482A	HOSE CLAMP
5	1	EAH0049G13A	TIRE GUN TUBE
6	1	1-12079A	FITTING - AIR 1/8 D.7
7	1	1-11479A	FITTING - L 6X8 1/8
8	1	1-11779A	FITTING, STRAIGHT, M/F 1/4" L.36MM
9	1	EAC0078G59A	BODY BLEEDER VALVE
10	1	ST4029392	PIPE W/MNMTR DMPER-EAA0356G06A
11	4	1-20423	SELF TAPPING SCREW D4,2X13
12	1	EAS2089G49A	COVER, FOR BOX, BLACK PAINTED
13	1	8-06820A	PRESSURE GAUGE PSI / KPA
14	1	EAA0328G57A	BLEEDER VALVE
15	1	EAM0043G64A	WASHER, BLEEDER VALVE
16	1	EAA0364G72A	TOOL STORAGE BOX
17	1	EAA0490G75A	HOOK FOR INFLATING CHUCK
18	1	1-11733	NUT M8
19	BTM	5-06335A	HOSE RISLAN 8X6 BLACK 2208004
20	3	1-18702A	SCREW FILLISTER HEAD MACH M8X20
21	3	1-17841A	WASHER D. 8X24, BLK
22	1	EAA0329G98A	TOOL BOX SUPPORT, FINISHED
23	2	1-17709	SCREW TCEI 8X20 8G
24	2	1-3048	WASHER SHAKEPROOF D8 BLK.
25	2	1-10041	WASHER D.8



REF#	QTY	PART NUMBER	DESCRIPTION
1	1	8-12618A	JOINT FOOT WITH THREAD PIN M12
2	1	1-22733A	NUT - M12 6S
3	1	EAS2196G03A	FOOT SUPPORT
4	1	EAS2141J44A	FOOT EXTENSION WLDMNT
N/S	1	1-17609	BOLT -M8 X 1.25 X 16
N/S	2	1-10033	M8 ESNA NUT
N/S	3	1-10041	WASHER
N/S	4	EAS2141J44A	FOOT EXTENSION WLDMNT
N/S	1	EAA0471G44A	REAR FOOT ASSY
N/S	2	1-19109	M10 X 25 BOLT
N/S	2	1-11841	D10 WASHER
N/S	1	8-04450A	8.5 MM DRILL BIT BLACK OXIDE HS STEEL
N/S	1	8-04350A	M10X1.5 THRU-HOLE TAP HS STEEL COATED
N/S	1	EAK0237J22A	FOOT EXTENSION KIT



Notice: The information contained in this document is subject to change without notice. Snap-on Equipment makes no warranty with regard to this material. Snap-on Equipment shall not be liable for errors contained herein or for incidental consequential damages in connection with furnishings, performance, or use of this material.

This document contains proprietary information which is protected by copyright and patents. All rights are reserved. No part of this document may be photocopied, reproduced, or translated without prior written consent

Snap-on Tools Company
Kenosha, Wisconsin 53141-1410