

JohnBean

EHP System II

**PARTS
MANUAL**

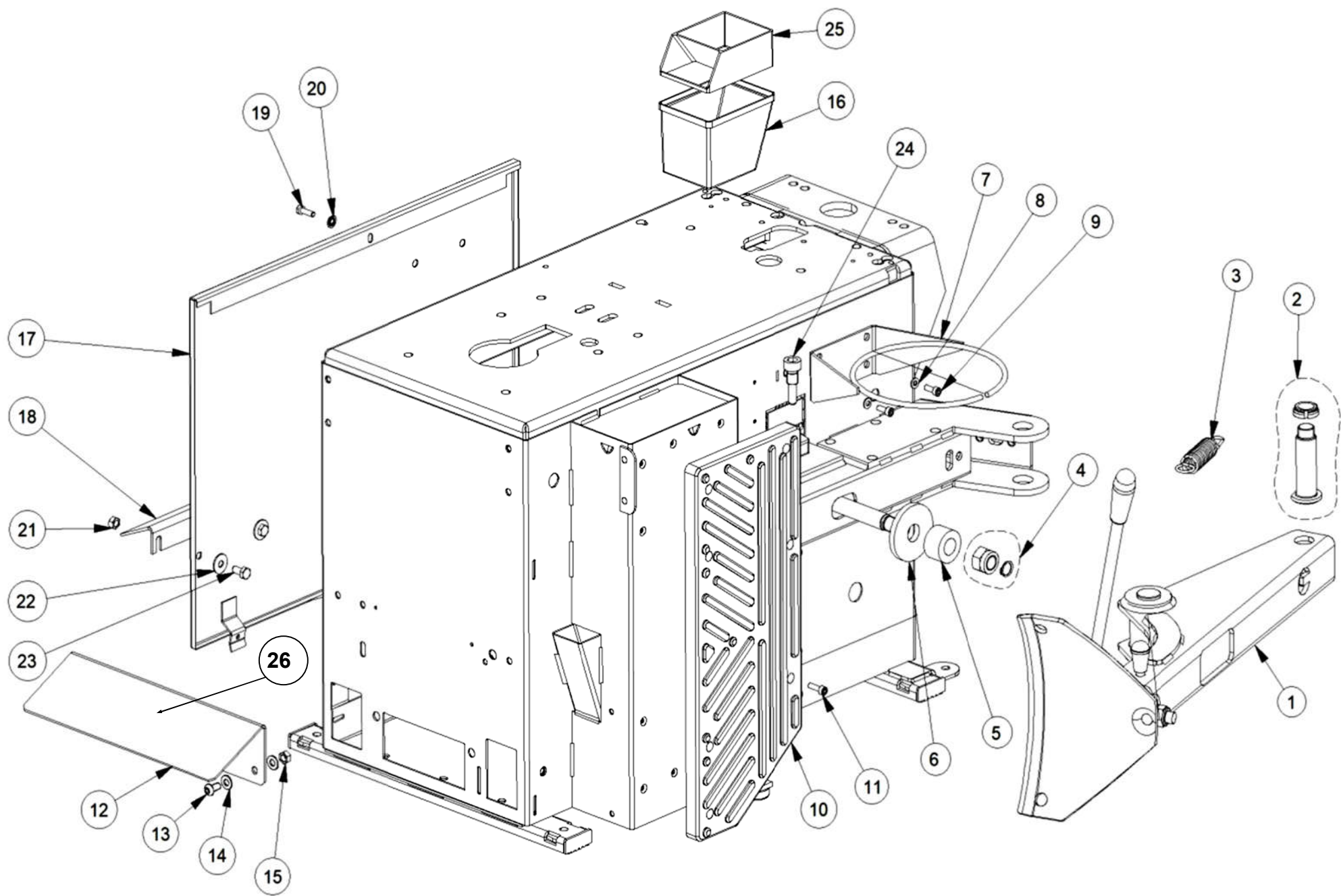


EEWH512BU

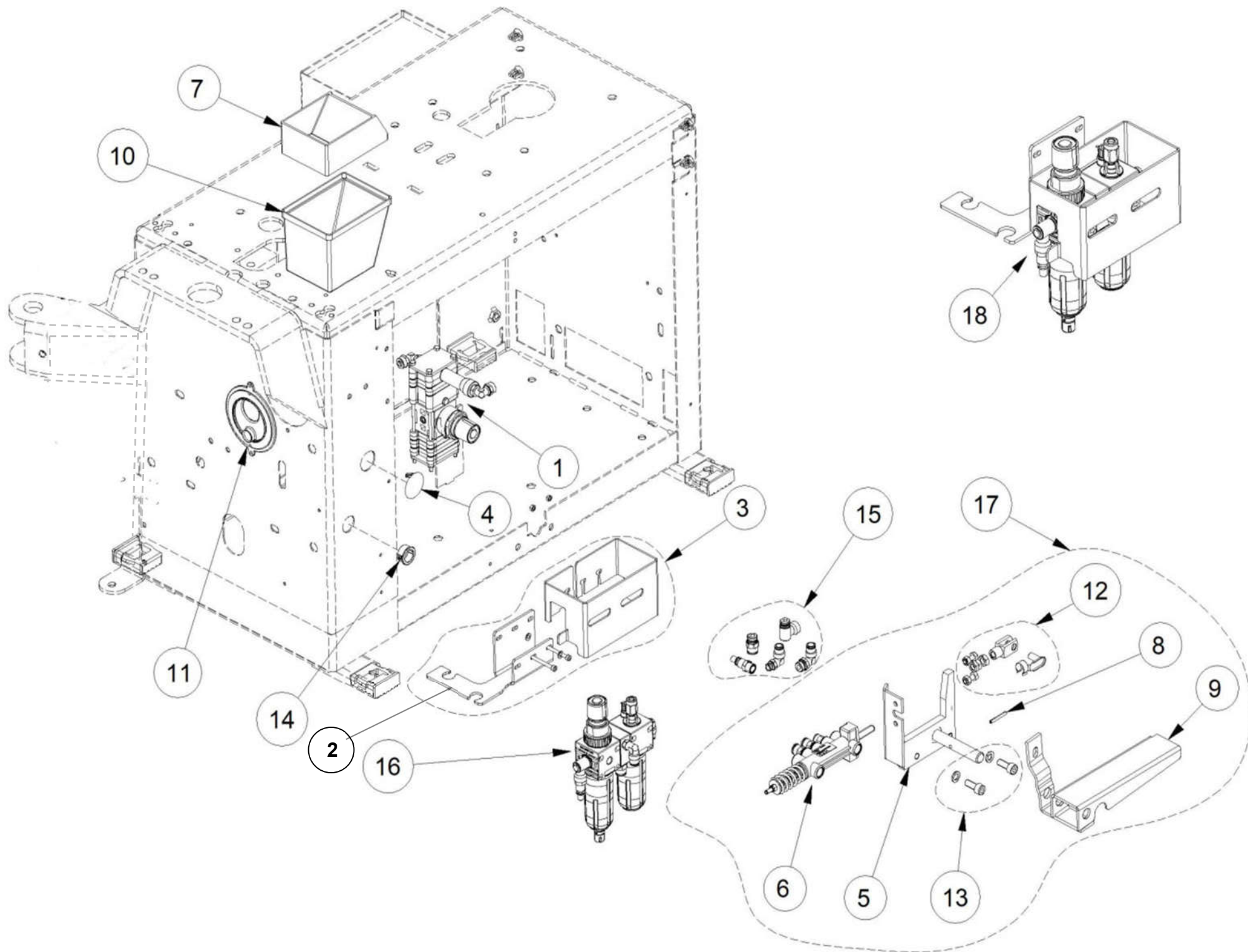
Swing Arm

Tire Changer with fixed jaws

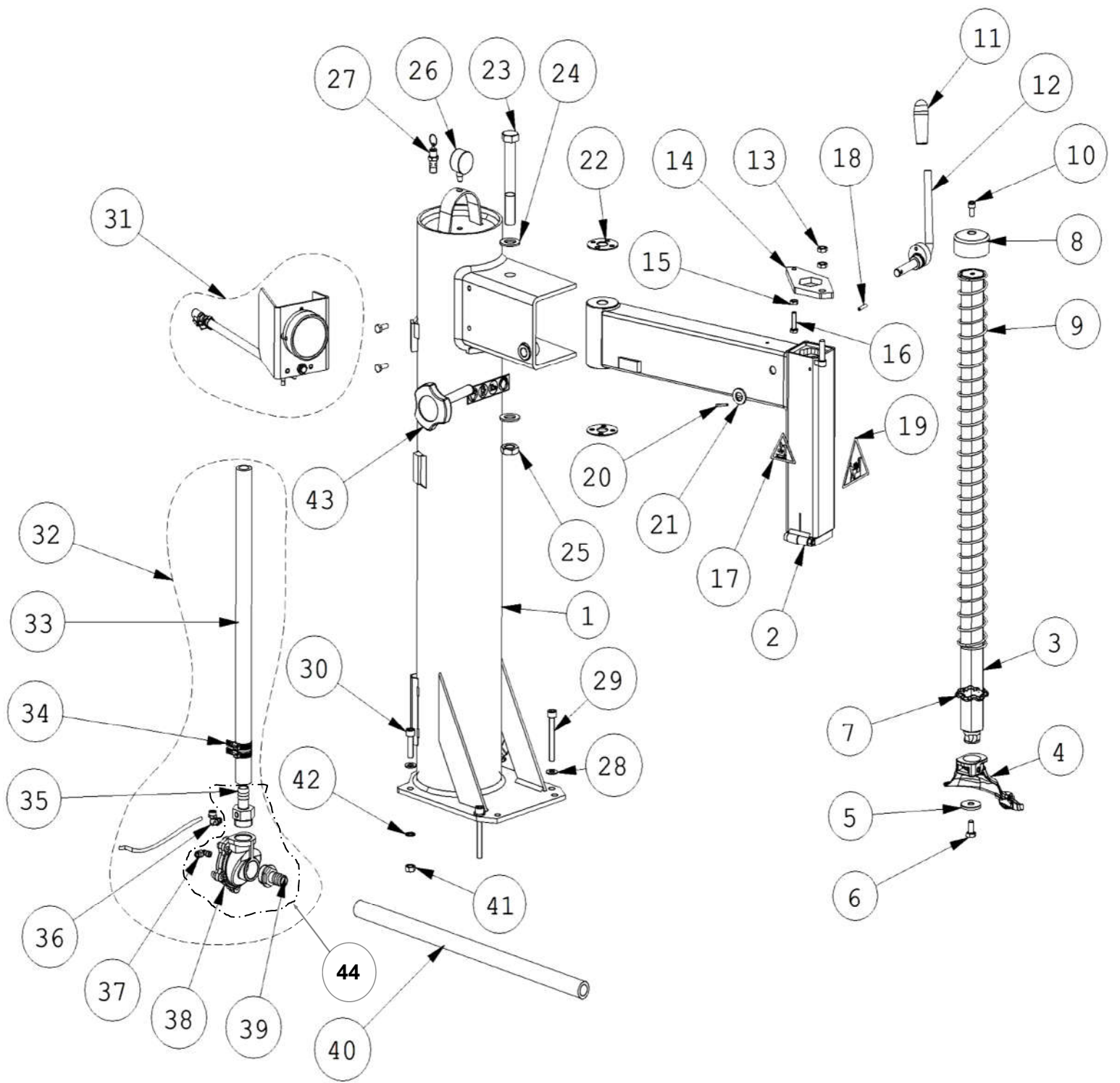
PART NUMBER	DESCRIPTION
EAL0467G92A	DECAL TC LEVER WARNING
EAL0408G12A	LABEL PATENTS (33772)
EAL0413G31A	LABEL GROUND 8453
EAC0100G55A	LABEL SEALING HOLE (8715)
EAL0408G24A	LABEL OIL (10724)
EAL0383G34A	LABEL DANGER (16524)
EAL0408G43A	LABEL DANGER (B) 17691
EAL0408G45A	LABEL ROTATION DIRECTION 22187
EAL0408G21A	LABEL DRAIN (22188)
EAL0413G34A	LABEL INFLATOR 22669
22670	STICKER PEDALS (3) (D)
EAL0343J76B	SERIAL LABEL DOCUMENT
24212	PLACARD DANGER TC ENG SPANISH
EAL0415J38A	DECAL-JOHN BEAN CHROME
27011	LABEL FRONTAL EHP SYS 2
27015	LABEL LATERAL EHP SYS 2
22186	PLATE SERVICE
EAL0392J89A	LABEL-CUST SVC JBC
EAC0103G11A	PEDAL SPACER
EAC0097G47A	WAVE TIRE MOUNTING LEVER
EAM0043G53A	PIN M5 HEXAGONAL SKT- 30950
EAC0113G61A	RIM PROTECTOR PLASTIC
EAC0078G13A	BACK PLSTC RIM PROTECTOR-30580
EAK0329G86A	LIGHTALLOY RIM PROTE FRONT ONLY
5-14126A	BRUSH TIRE LUBE APPLICATOR
8-03229A	LUBRICANT-TIRE MOUNTING 75N
EAA0329633B	BEAD ASSIT DEVICE (OPTIONAL)



REF #	QTY	PART NUMBER	DESCRIPTION
1	1	EAA0338G45A	BLADE ASSY BEAD BREAKER ARM
2	1	EAK0306G20A	FULCRUM KIT FOR BEAD BREAKER ARM
	1	EAM0086G16A	PIN BEAD BREAKER ARM
	1	1-02138A	NUT RING M20 7044102
3	1	EAM0067G69A	SPRING-RECALL MID TIER TC 1229
4	1	EAK0306G23A	FIXING KIT FOR BD BREAKING AR
	1	1-20933A	NUT LOCK M18-1.5 DIN 982
	1	1-3977	RETAINING RING
5	1	EAC0097G51A	WASHER-SHOCK MID TIER TC 7564
6	1	EAC0097G54A	WASHER-SHOCK MID TIER TC 10491
7	1	EAA0349G76A	RING-BOX GREASE 4025460
8	2	1-9841	WASHER-PLAIN 6MM/SAME AS4-6641
9	2	1-30901A2	SCREW - SHCS M6 X 16MM
10	1	EAC0099G22A	SUPPORT BEAD BREAKER-20101
11	7	1-16409A	SCREW TCEI 6 X 20 8G
12	1	EAS2169G75AC	PEDAL PROTECTION RAL3000
13	2	1-32601	SCREW-M8 X 20MM HEX HD Z
14	4	1-10041	WASHER, PLAIN M8
15	2	1-11733A	NUT-HEX M8 BLK
16	1	8-03129A	BOX GREASE (1806)
17	1	EAS2029J62A	SIDE PANEL-TIRE CHANGER BLK
18	1	EAS2115G83A	PROTECTOR PEDAL 11227
19	1	1-30901A2	SCREW-HHMS M6 X 20
20	1	1-1548	WASHER-6MM SP-PURCH TEXT
21	2	1-11733A	NUT-HEX M8 BLK
22	2	1-17841	WASHER-ZINC D8 X 24-7021102
23	2	1-32501A	SCREW-HHCS M8 X 20MM ST/FT
24	2	EAM0067G34A	SCREW-CYL FITTING MID TIER TC
25	1	1-31581A	PLUG VALVE HOUSING-1807
26	1	22670	PEDAL DECAL

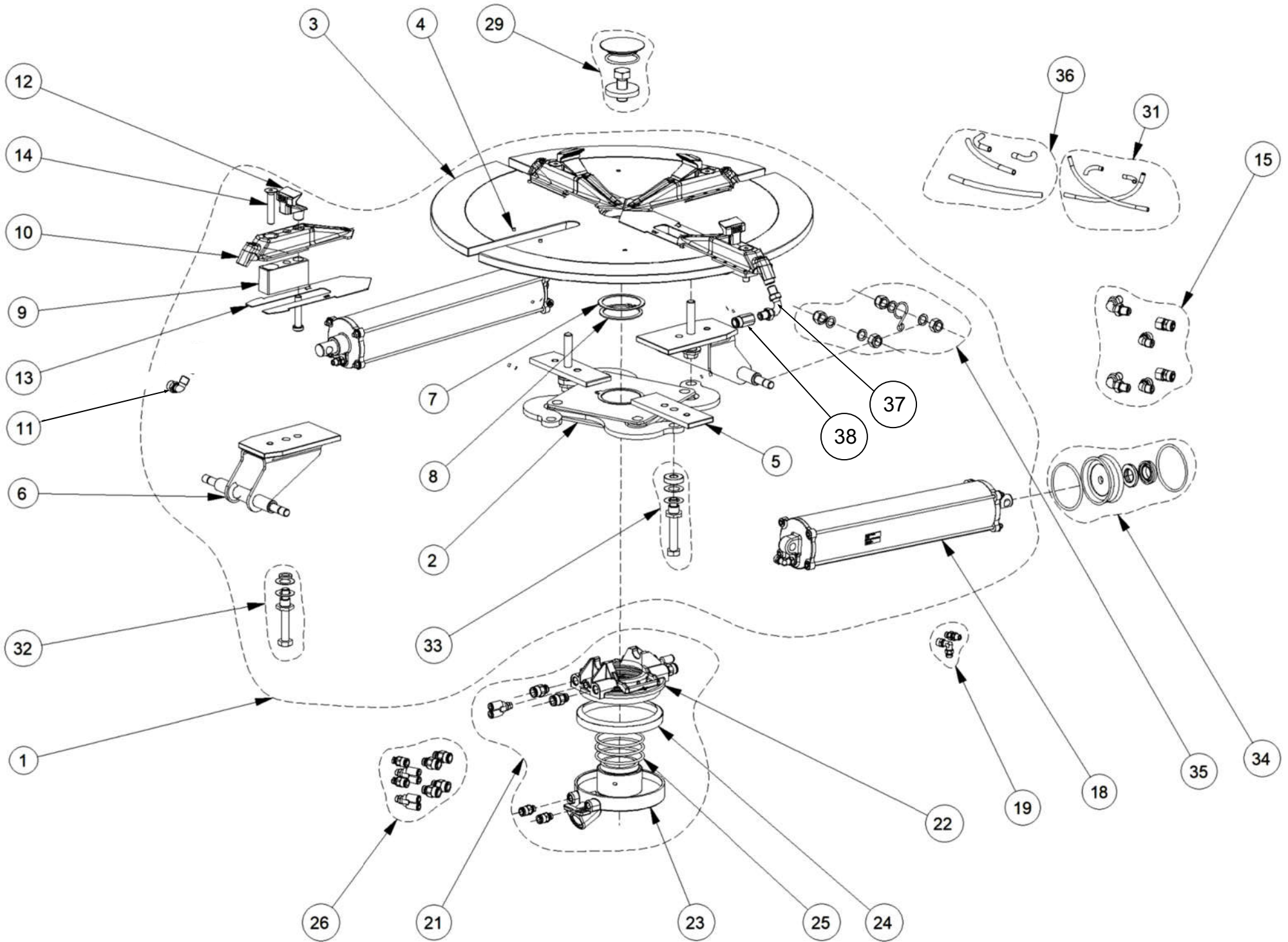


REF	QTY	PART NUMBER	DESCRIPTION
1	1	EAA0384G22A	PRESSURE LIMITING VALVE
2	1	EAS2201G26A	LUBRICATOR FILTER PROTECTION
3	1	EAS2201G16A	FILTER/LUBRICATOR BRACKET WITH HOSE HOUSING
4	1	1-08676A	PLUG HOLE 26MM USE 1-1876
5	1	EAS2134G52A	GT PEDAL SUPPORT
6	1	ST4029115	VLVE,BD INFLATNG/B-EAA0329G75A
7	2	1-31581A	PLUG VALVE HOUSING-1807
8	1	ST7023119	PIN-STRAIGHT SLOTTED 4 X 30
9	1	ST4029114	INFLTR BD BLST PED EAS2068G87A
10	2	8-03129A	BOX GREASE (1806)
11	1	1-1876	PLUG HOLE 1.093-1.125
12	3	1-15933A	NUT-HEX 8M-1.25
	1	1-02655A	CLEVIS M8 UNI 1676 DIN 71752
	1	1-02955A	PIN-COTTER D.8 W/CLIP
13	2	1-11633A	NUT-M6 X 5.2 BLK
	2	1-1548	WASHER-6MM SP-PURCH
	2	ST7104119	SCREW 6X16 8G
14		N/A	NOT USED
15	1	EAK0315G99A	FITTINGS KIT FOR FILTER
16	1	EAA0439G90A	FILTER-PRESS.RED. LUBRIC.ASSY AIR IN LEFT
17	1	EAA0384G14A	QR GT PEDAL WITH ENDSTROKE
18	1	EAA0489G30A	LUBRICATOR FILTR GROUP
N/S	2	1-11433A	NUT, HEX M4
N/S	2	1-9641	PLAIN WASHER D4MM
N/S	2	1-14309A	SCREW, 4X50 8.8 BLK UNI 5931-67
N/S		EAL0467G90A	LABEL, INSTRUCTION TO DRAIN CONDENSATION



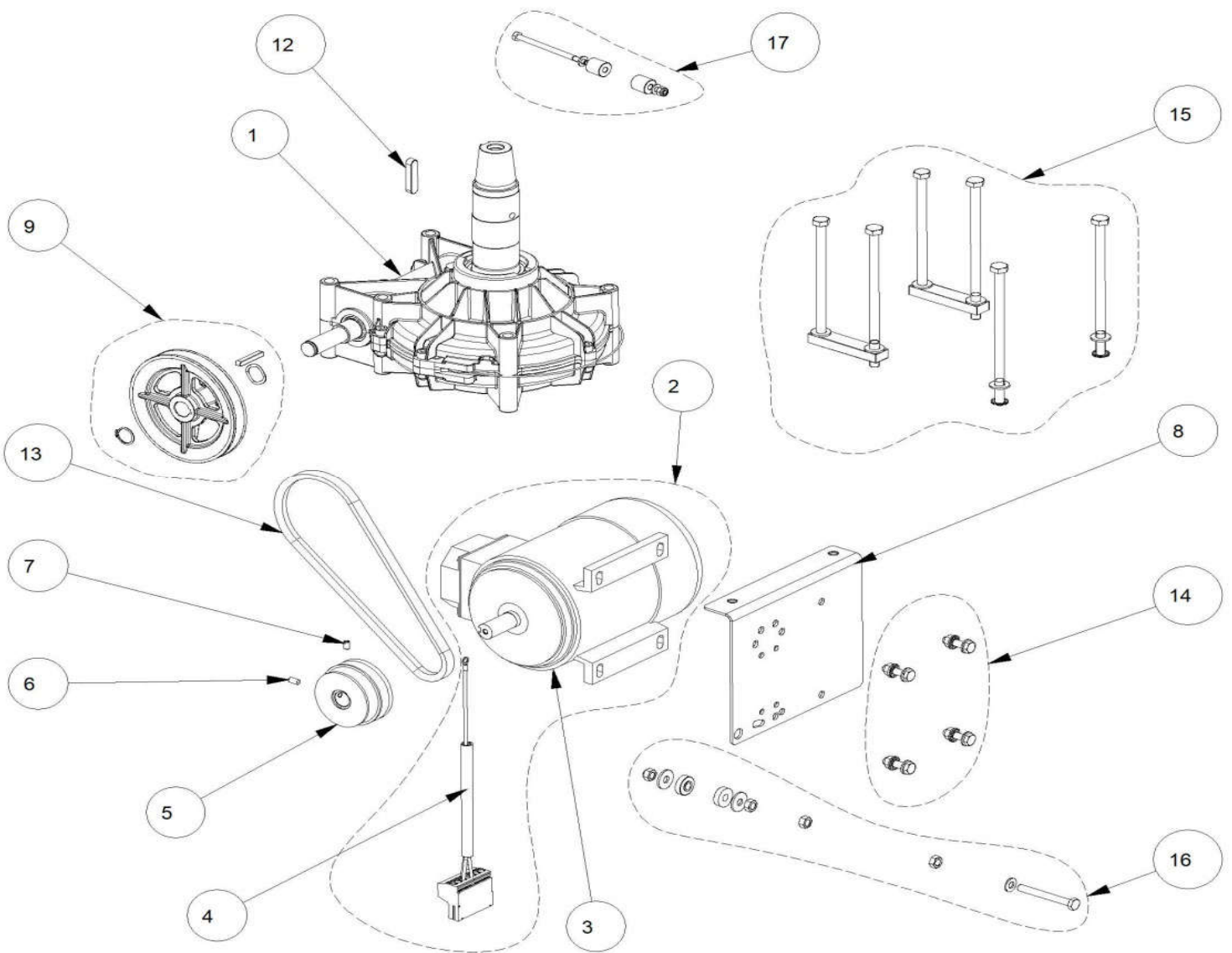
REF #	QTY	PART NUMBER	DESCRIPTION
1	1	4027401	TOWER
2	1	4025985	SWING ARM
3	1	24905	AXEL VERTICALE CH.38
4	1	EAA0329G95A	MOUNTING/DEMOUNTING TOOL
5	1	EAM0032G02A	WASHER- TOOL CLAMPING
6	1	1-34301A	SCREW HEX 10X20 8G
7	1	EAC0094G01A	SHOCK ABSORBER- ROD
8	1	EAM0140G92A	COVER FOR HEX BAR
9	1	25457	SPRING,RECALL-TOWER, VERTICAL
10	1	1-17609A	SCREW, 8X16 8.8 UNI5931-67
11	1	EAC0078G04A	HANDLE-RUBBER
12	1	EAS2108G36A	LEVER, REGISTER
13	2	1-19633B	NUT- M10 6S BLK UNI5589-65
14	1	EAS2153G46A	LEVER- NECKING
15	1	1-15933A	NUT M8 DIN 936 - UNI 5589
16	1	EAM0067G26A	SCREW, ADJUSTMENT- ROD
17	2	EAL0408G42A	STICKER DANGER
18	1	1-8152	SPLIT PIN 5X26
19	1	EAL0408G44A	DANGER LABEL
20	1	1-6452	PIN, STRAIGHT SLOTTED
21	1	1-10341	WASHER - D.14
22	2	EAM0067G29A	WASHER - ADJUSTMENT

REF	QTY	PART NUMBER	DESCRIPTION
23	1	EAM0067G25A	SCREW, SWING ARM SUPPORT
24	2	1-10641	WASHER
25	1	1-21633A	NUT
26	1	8-06120A	MANOMETER-RADIAL 0-16 D.40
27	1	1-31381A	VALVE, ASME SAFETY, 1/4" BSPT
28	8	1-10141A1	WASHER P.D.10
29	2	1-57309A	SCREW TCEI 10X80 8G ZINC.BIANC UNI 5931-
30	2	1-19409	SCREW TCEI 10X40
31	1	EAA0332G48A	ASSY,GAUGE-PRESSURE PSI / Kpa
32	1	EAA0351G03A	ASSY, VALVE- PNEUMATIC
33	1	27096	HOSE, AIR- HIGH PRESSURE
34	4	EAM0075G29A	CLIP, LOCKING-HOSE
35	1	15658	FITTING, RUB.HOLDER 1" LONG
36	1	1-17279A	FITTING "L" 6X8 1/8
37	1	1-17179A	ELBOW FITTING "L" 4X6 1/4"
38	1	1-29581A	VALVE,AIR-CONTROLLED
39	1	EAM0071G99A	FITTING , SUPPORT M1"-20
40	1	14121	HOSE, AIR
41	4	1-15433	NUT, M10 ZINC
42	4	1-3148	EXT.SHAKEPROOF d.10 DIN 6798/A
43	1	1-03512A	HANDLE WITH SCREW
44	1	EAA0351G06A	KIT-VALVE PNEUMATIC 4022215

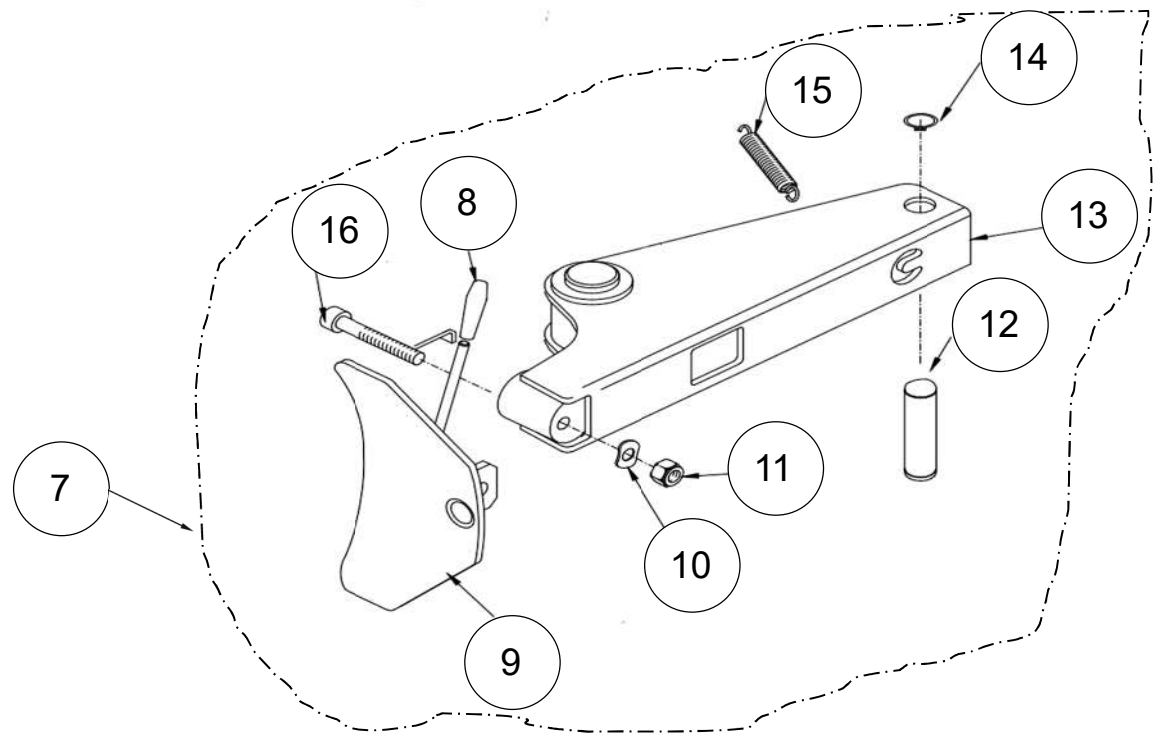
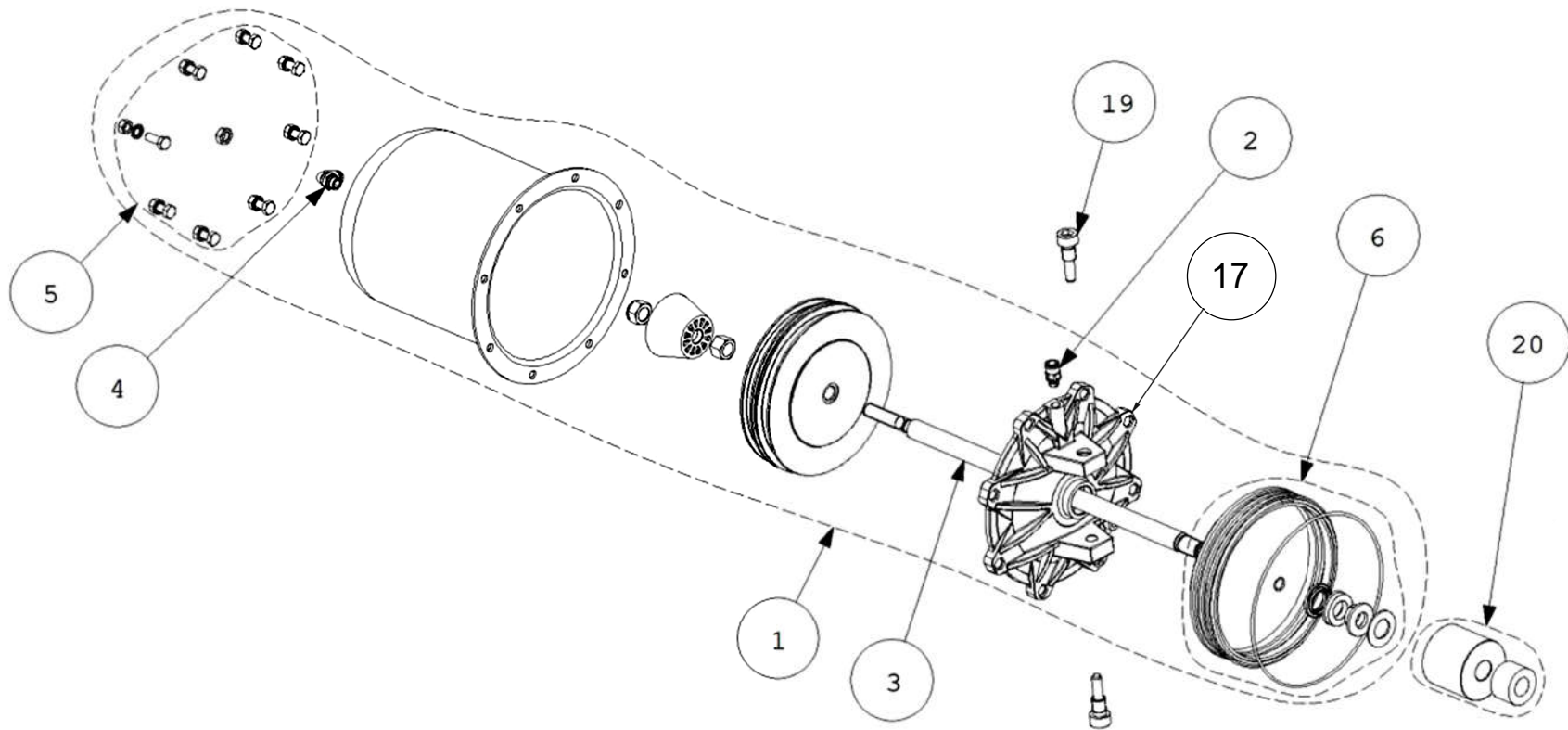


REF #	QTY	PART NUMBER	DESCRIPTION
1	1	EAA0410G40A	20" TURNTABLE CENTER TYPE GT
2	1	EAA0351G73A	CLAMPING PLATE
3	1	EAS2100G09A	TOURNTABLE 20" CENTER TABLE
4	8	1-25952A	PIN DOWEL 5x10 UNI EN 28734
5	2	EAM0053G12A	PLATE
6	2	EAA0377G80A	BRACKET FOR CYLINDERS
7	1	EAM0051G85A	WASHER
8	1	1-18677A	RING- STOP D.60
9	4	EAM0053G13A	JAW SUPPORT
10	1	EAS2153G92A	BEADS SEATER CLAMP
11	2	1-14379A	CONNECTION L 1/4" 8x10
12	4	EAM0043G54A	JAW FOR TURN-TABLE, CENTER TYPE V2-
13	4	EAS2096G35A	CLAMP GUIDE
14	4	1-25903A	SCREW UNI5933-67 M10x55 CI.
15	1	EAK0330G32A	GT SYSTEM FITTINGS KIT
18	2	EAA0410G31A	CYLINDER, TURNTABLE
19	1	EAK0330G35A	TT CYLINDER FITTINGS KIT
21	1	EAA0304G69A	REVOLVING MANIFOLD, TUBELESS INFLATO
22	1	EAA0338G76A	RING, OUTER - MANIFOLD
23	1	EAA0338G27A	RING-INSIDE, WITH SUPPORTS
24	1	EAC0087G50A	SEAL TUBELESS INFLATOR-FRONT
25	3	8-10814A	SEAL OR D.69.44X3.53
26	1	EAK0330G28A	REVOLVING MANIFOLD FITTINGS KIT
29	1	EAK0306G25A	TURNTABLE FIXING KIT
31	1	EAK0317G08A	HOSES KIT FOR 24" TURNTABLES
32	2	EAK0317G19A	SCREWS AND BOLTS FOR CLAMPS

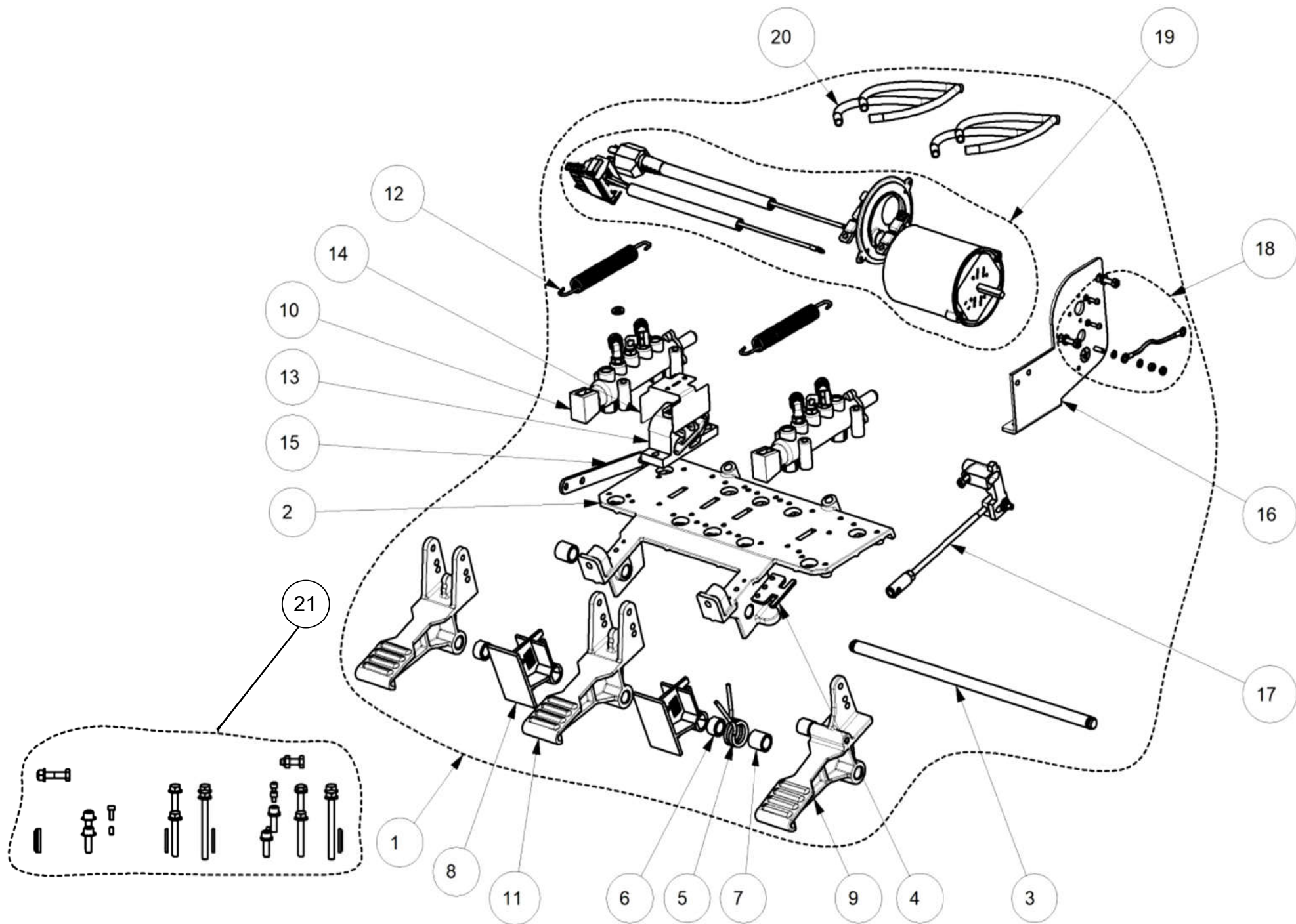
REF #	QTY	PART NUMBER	DESCRIPTION
33	2	EAK0317G20A	SCREWS AND BOLTS FOR CLAMPS
34	2	EAK0317G36A	TURNTABLE CYLINDER SEALS KIT
35	1	EAK0306G27A	SCREWS AND BOLTS FOR TURNTABLE CYL.
36	1	EAK0317G09A	HOSES KIT FOR GT NOZZLES
37	2	EAM0051G83A	PIPE FOR BS CLAMP
38	2	1-27379A	F.STRAIGHT FITTING 8X10 1/4"
N/S	4	EAM0154G76A	SPRING PROTECTION AIR-HOS
N/S	4	ST0026904	PIPE,SPIRAL*BLK 6,5X10X2,5IN L
N/S		5-06435A	4MM X 6MM HOSE BTF
N/S		ST2618004	6MM X 8MM HOSE BTF
N/S		ST2618002	8MM X 10MM HOSE BTF



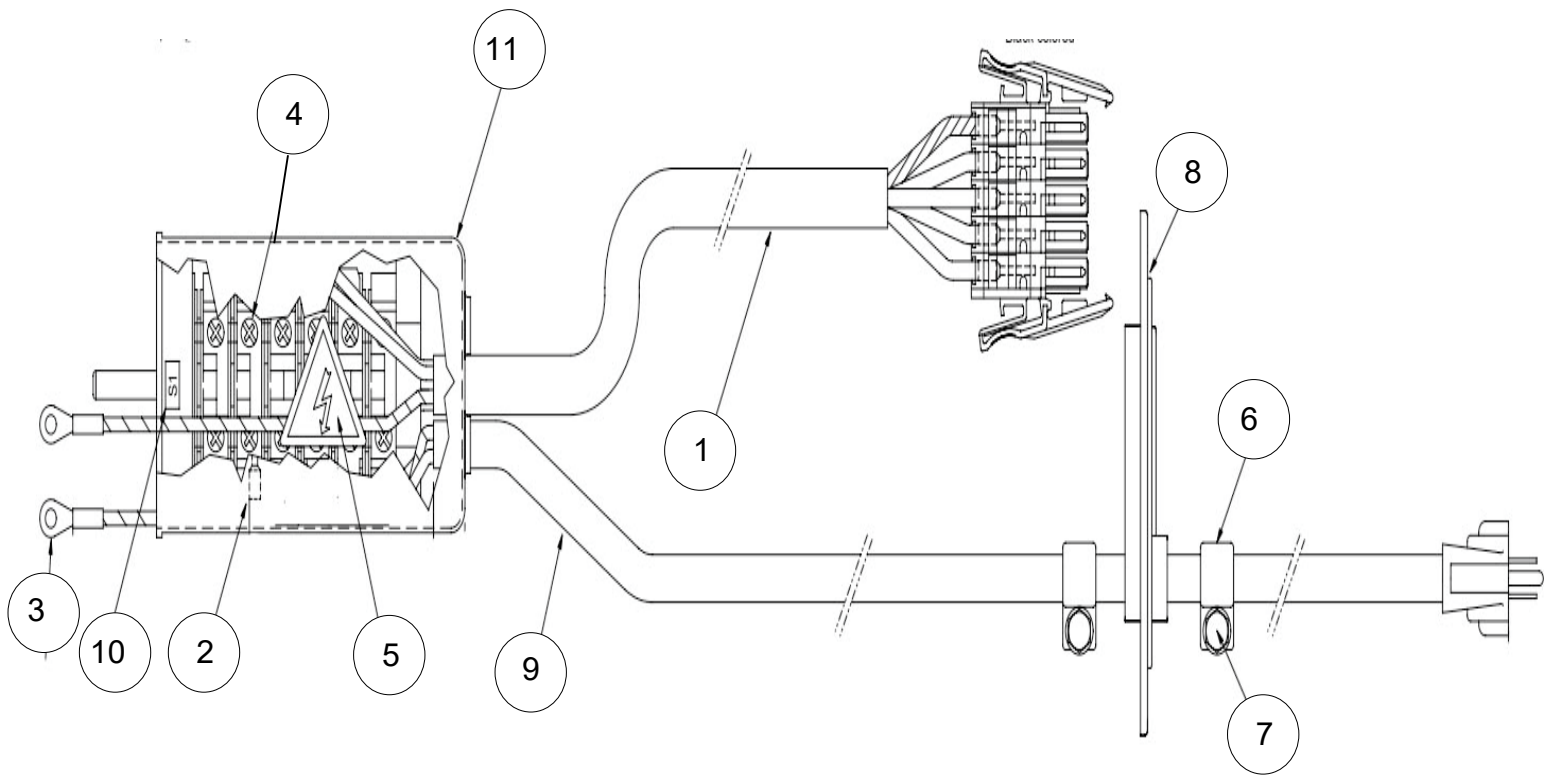
REF #	QTY	PART NUMBER	DESCRIPTION
1	1	EAA0382G23A	GEAR BOX TC
2	1	EAA0534G62A	1PH 115V RIGHT MOTOR ASSEMBLY
3	1	2-99966A	1 PHASE US MOTOR
4	1	EAW0277G10A	MOTOR CABLE
5	1	EAM0154G58A	PULLEY DP=2" HOLE D.5/8"
6	1	1-54210A	SET SCREW M6x10 HEX SOCKET
7	1	1-48910A	SCREW SET HEX SOC FLT PT, 6 X 10
8	1	EAS2131G28A	MOTOR SUPPORT
9	1	EAK0341G09A	GEARBOX PULLEY KIT
12	1	1-1572	KEY-10 X 8 X 45
13	1	EAC0078G58A	BELT V A-26-30939
14	4	EAK0279G64A	SCREWS KIT FOR MOTOR
15	1	EAK0279G65A	SCREWS KIT FOR GEARBOX
16	1	EAK0279G66A	BELT TIGHTENER KIT
17	1	EAK0279G67A	ANTI ROTATION KIT



REF #	QTY	PART NUMBER	DESCRIPTION
1	1	EAA0329G49A	CYLINDER, BEAD BREAKER
2	1	ST0001924	Fitting-St 6 x 8 1/8
3	1	EAM0048G05A	ROD BEAD-BREAKER CYLINDER
4	1	1-20179A	FITTING "L" 6X8
5	1	EAK0306G16A	SCREWS AND BOLTS FOR BEAD BREAKER CYL. F
6	1	EAK0306G19A	SEALS FOR BEAD BREAKER CYL.
7	1	EAA0338G45A	BEAD BREAKER ARM ASSEMBLY
8	1	EAC0078G04A	HANDLE-RUBBER-6345
9	1	ST4021305	BLADE, BD. BREAKER-EAS2087G93A
10	1	ST7021329	WASHER 14MM
11	1	ST7020409	NUT-S LOCK LOW-M14(1-10433)
12	1	EAM0086G16A	PIN BEAD BREAKER ARM
13	1	ST4025141	ARM, BEAD BREAKER-EAS2108G28A
14	1	1-02138A	NUT RING M20 7044102
15	1	EAM0067G69A	SPRING-RECALL MID TIER TC 1229
16	1	1-22609	SCREW T CEI M1 4X110 8.8
17	1	ST0013409	END CAP-CYLINDER-EAC0078G36A
19	1	EAM0067G69A	SPRING-RECALL ARM, BEAD BREAKER
20	1	EAM0067G33A	WASHER,SUPPORT-BEAD BREAKER
20	1	EAC0097G54A	WASHER-SHOCK MID TIER TC 10491

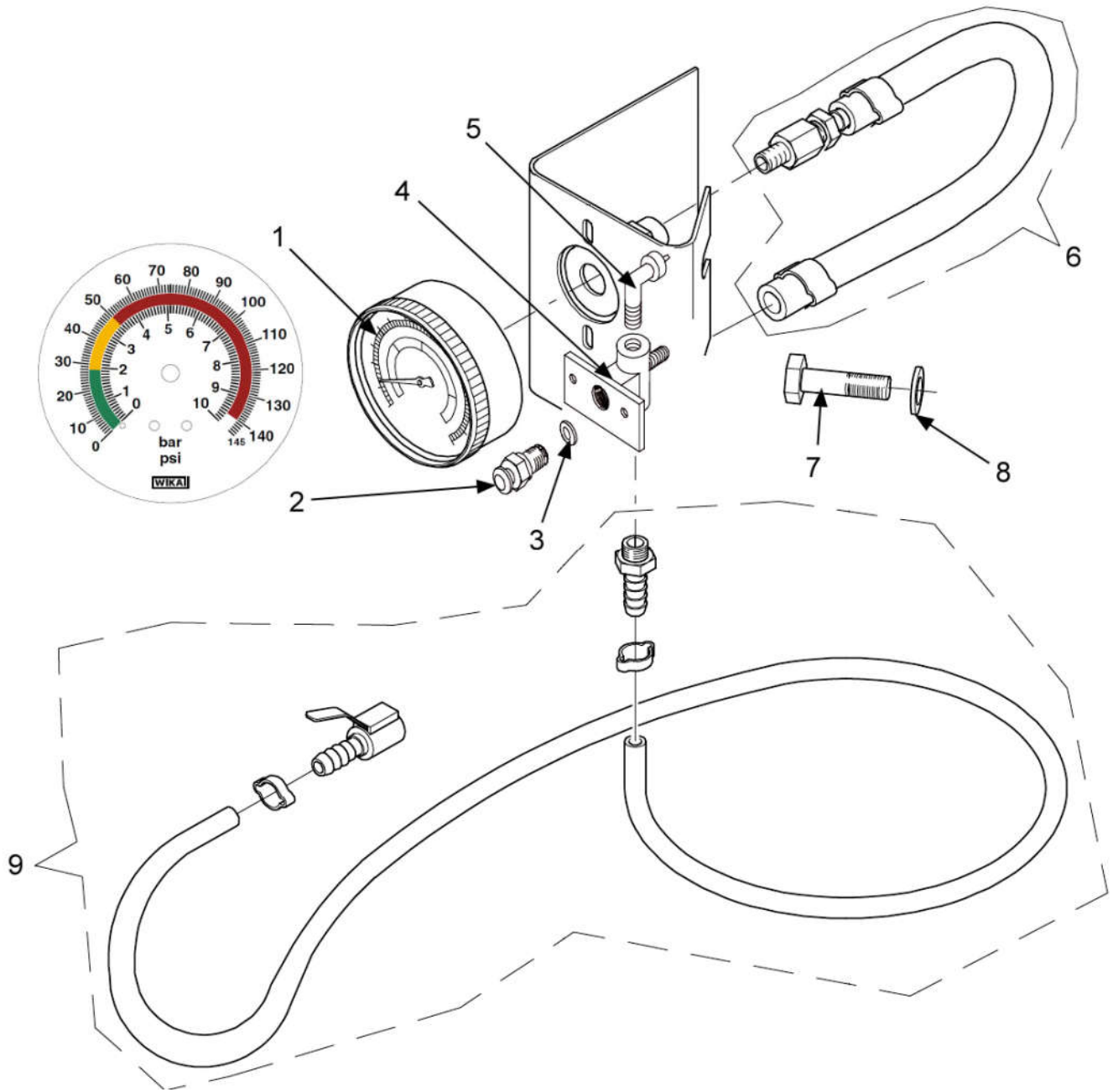


REF	QTY	PART NUMBER	DESCRIPTION
1	1	EAA0372G43A	FOOT PEDAL ASM 3P IPH 115V
2	1	EAM0068G80A	PEDAL ASM SUPPORT - MACHINED
3	1	ST0005731	SHAFT-HINGE PEDAL-EAM0068G10A
4	1	EAM0070G32A	COMMUTATOR SPRING GUIDE(35645)
5	1	EAM0048G78A	QR SPRNG PDL SWITCH(0016103)
6	2	EAM0070G46A	SPACER L=11MM -35646
7	2	EAM0048G79A	BUSHING CENTERING-SPRING
8	2	EAC0096G11A	PEDAL SPACER-5655
9	1	EAA0356G92A	RIGHT SWTCH FOOT PEDAL
10	2	EAA0356G94A	BEAD BREAKER VALVE
11	2	EAM0068G95A	STAND. PEDAL MACHINED-35968
12	2	EAM0147G64A	SPRING, RECALL PEDALS
13	1	EAC0103G56A	FOOT PEDAL CAM
14	1	EAS2115G09A	PROTECTION SHEET FOR CAM-36092
15	1	EAS2111G73A	ROD POSITIONER PEDAL-4031049
16	1	EAA0394G63A	1S SWITCH SUPORT ASM
17	1	EAA0347G61A	ROD RGSTR-REV.ASSY
18	1	EAK0279G40A	KIT HARDWAR FOR EEWH513A
19	1	EAA0394G36A	1 PHASE SWITCH-CABLE ASSY. DX US
20	1	N/A	NOT USED
21	1	EAK0279G39A	KIT,NUTS/SCREWS 4-FT PDL ASM



REF	PART NUMBER	DESCRIPTION
1	EAW0277G09A	115V PEDAL-SWITCH MOTOR CABLE
2	2-33301A	BOOTLACE FERRULE 2X2.5MM ²
3	2-12802A	RING TERMINAL INSULATED 2.5MM ² FOR M4
4	2-16759A	ONE PHASE ROTARY SWITCH
5	8-23562A	STICKER, DANGER
6	EAW0256G00A	CLAMP FOR CABLE
7	1-24223A	SCREW D 4.8X16 TE BR. UNI 6949
8	EAC0100G22A	CABLE PROTECTION AND HOSE PASS
9	EAW0276G32A	CABLE FROR CEI 20-22 II 3GX2.5 450/750V L. TOT. 3500 M
10	EAL0383G21A	CSA MAINS CORD 3.6M
11	EAC0097G80A	PROTECTION FOR INVERTER

Complete Assembly EAA0332G46A



REF	QTY	PART NUMBER	DESCRIPTION
1	1	8-06820A	GAUGE-AIR BAR / PSI
2	1	EAA0328G57A	BLEEDER VALVE
3	1	EAM0043G64A	WASHER, BLEEDER VALVE
4	1	EAC0078G59A	BODY BLEEDER VALVE
5	1	1-11479A	FITTING - L 6 X 8 1/8
6	1	EAH0049G12A	HOSE - GAUGE FITTING
7	2	1-32501A	SCREW 8 X 16
8	2	1-10041	WASHER D8

JohnBean[®]

EHP System II

Snap-on Equipment
309 Exchange Ave.
Conway, Ar 72032
501-450-1500

Notice: The information contained in this document is subject to change without notice. Snap-on Equipment makes no warranty with regard to this material. Snap-on Equipment shall not be liable for errors contained herein or for incidental consequential damages in connection with furnishings, performance, or use of this material. This document contains proprietary information which is protected by copyright and patents. All rights are reserved. no part of this document may be photocopied, reproduced, or translated without prior written consent

For Parts And Service Call Snap-on Equipment 1.800.225.5786

**PARTS
MANUAL**