

# **JohnBean**

## **EHP System III-E**

**PARTS MANUAL**

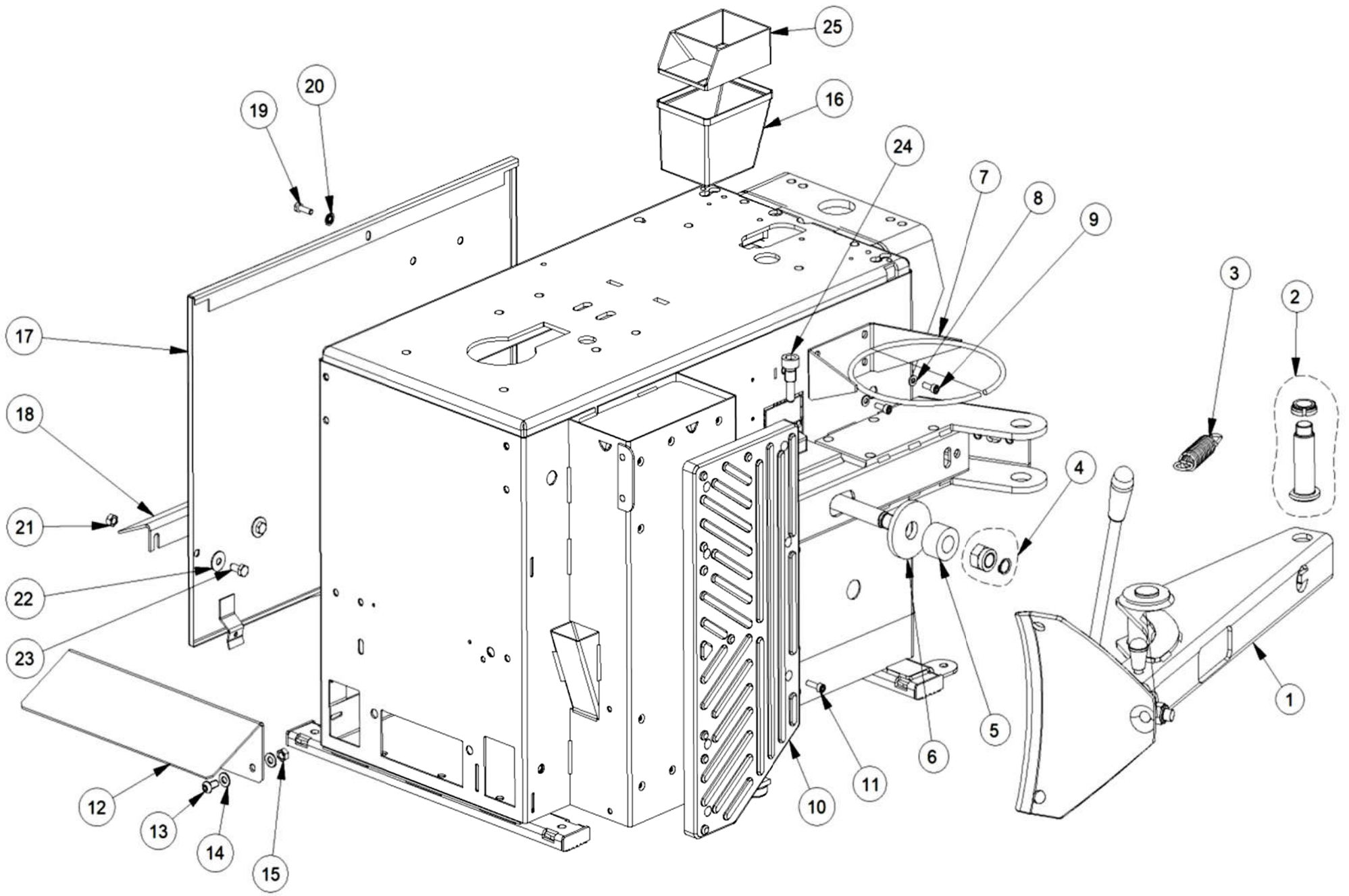


**EEWH513BC**

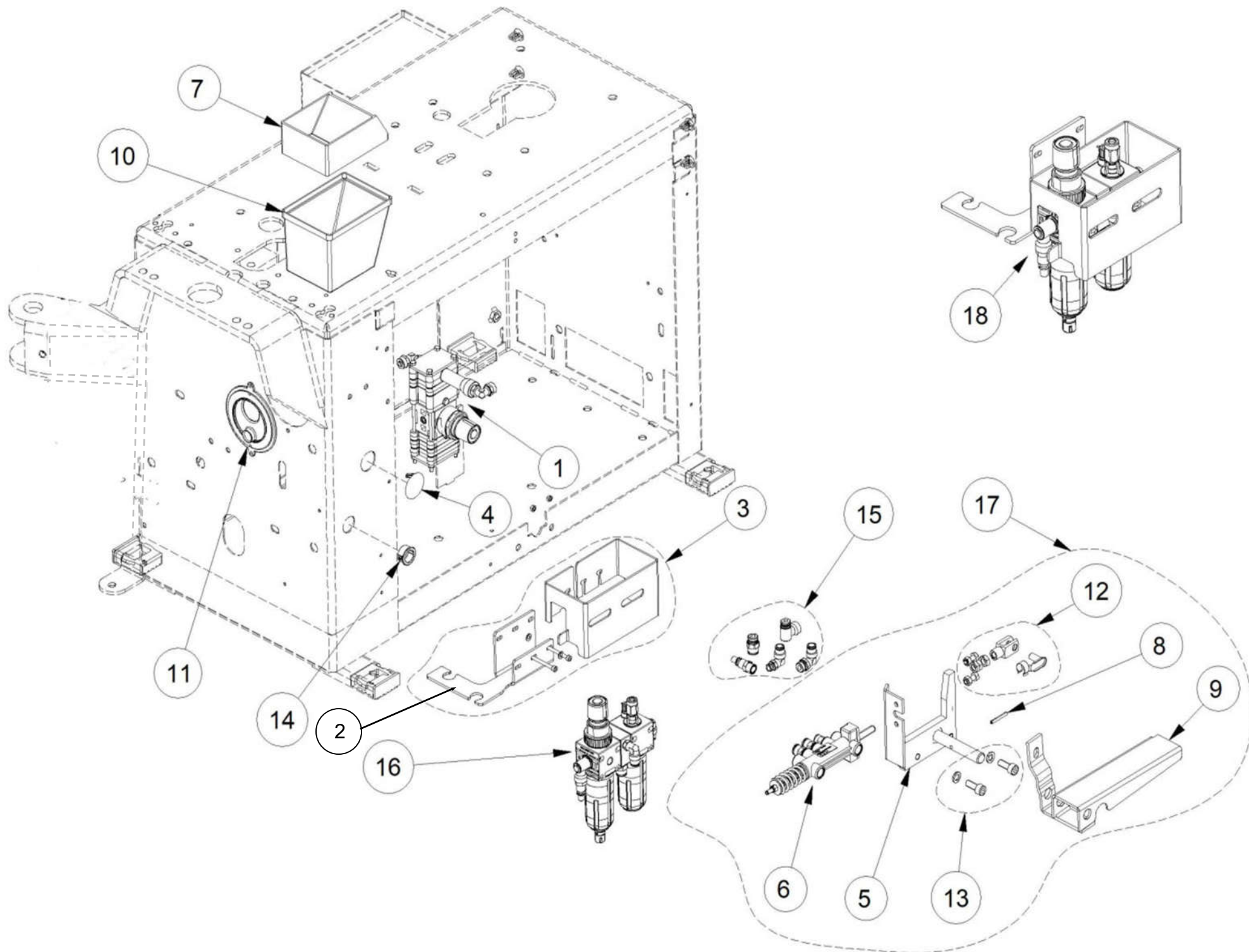
**Swing Arm**

**Tire Changer**

<b>PART NUMBER</b>	<b>DESCRIPTION</b>
EAL0467G92A	DECAL TC LEVER WARNING
ZEEWH513B9	LIT PACK-EEWH513
EAL0408G12A	LABEL PATENTS (33772)
EAL0413G31A	LABEL GROUND 8453
19159	LABEL DRAIN WATER EAL0467G25A
EAL0408G24A	LABEL OIL (10724)
24212	PLACARD DANGER TC ENG SPANISH
EAL0383G34A	LABEL DANGER (16524)
EAL0383G32A	LABEL DANGER 16507
16510	LABEL DANGER
EAL0343J76B	SERIAL LABEL DOCUMENT
EAL0413G34A	LABEL INFLATOR 22669
EAL0412G13A	STICKERS PEDAL - 22672
EAL0383G01A	ROTATION DIRECTION LABEL 2253
EAC0100G55A	LABEL SEALING HOLE (8715)
0027012	SYS III FRONT DECAL
0027016	SYS III SIDE PANEL DECAL
16511	LABEL-DANGER
EAL0408G25A	LABEL PRESSURE MIN MAX 16352
EAC0103G11A	PEDAL SPACER
25701	LABEL-NO ADJUSTMENT
EAL0392J89A	LABEL-CUST SVC JBC
EAC0078G13A	BACK PLSTC RIM PROTECTOR-30580
EAC0097G47A	WAVE TIRE MOUNTING LEVER
EAC0113G61A	RIM PROTECTOR PLASTIC
EAM0043G53A	PIN M5 HEXAGONAL SKT- 30950
EAK0329G86A	LGHTALLOY RIM PROTE FRONT ONLY
19254	CLIP FITTING
5-14126A	BRUSH TIRE LUBE APPLICATOR
4027094	HOLDER LUBE BOTTLE EAA0490G74
01267267000	WIRE DAUBER
00066006000	BOTTLE-LUBE
8-03229A	LUBRICANT-TIRE MOUNTING 75N

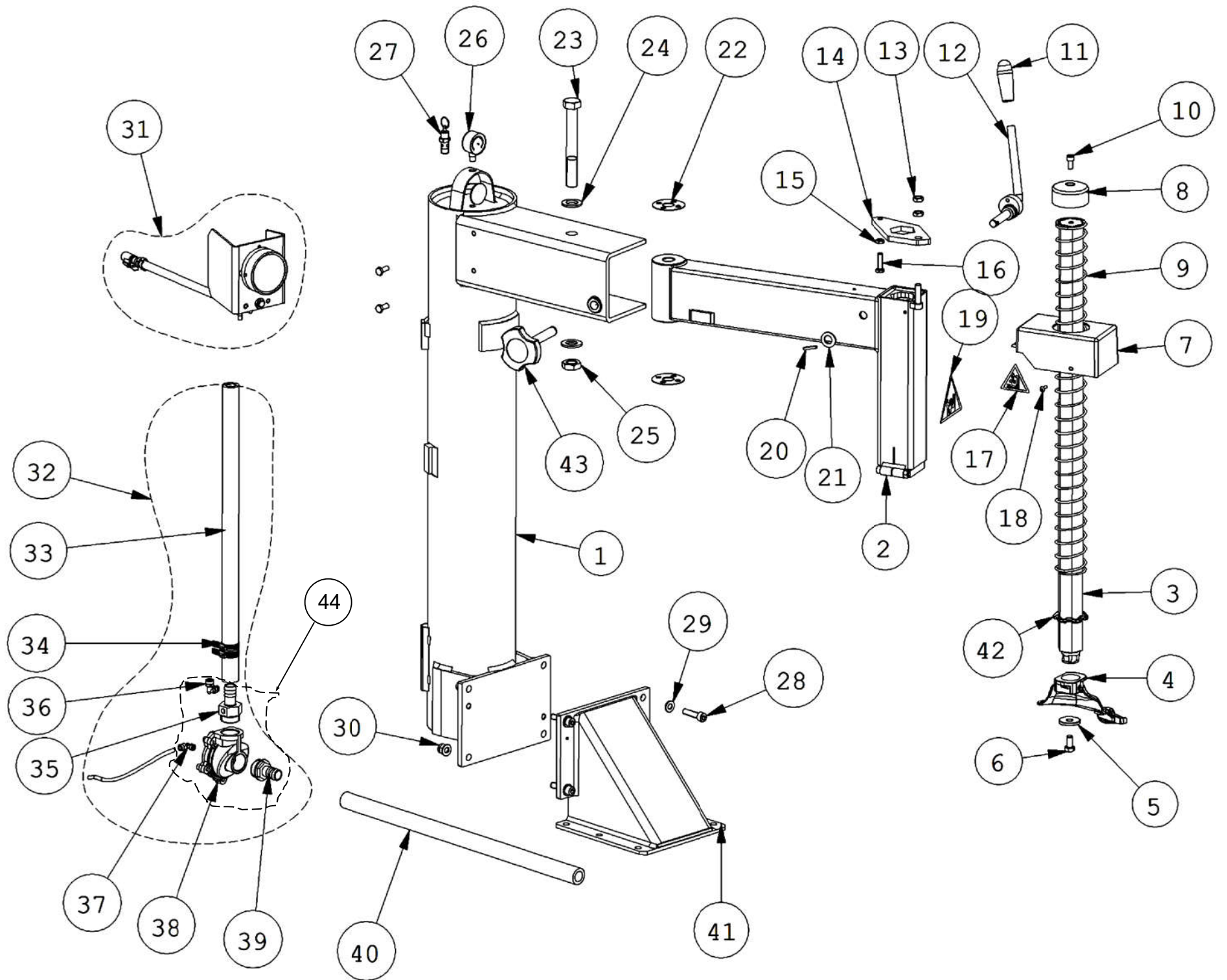


REF #	QTY	PART NUMBER	DESCRIPTION
1	1	EAA0338G44A	BLADE ASSY BEAD BREAKER ARM
2	1	EAK0306G20A	FULCRUM KIT FOR BEAD BREAKER ARM
	1	EAM0086G16A	PIN BEAD BREAKER ARM
	1	1-02138A	NUT RING M20 7044102
3	1	EAM0067G69A	SPRING-RECALL MID TIER TC 1229
4	1	EAK0306G23A	FIXING KIT FOR BD BREAKING AR
	1	1-20933A	NUT LOCK M18-1.5 DIN 982
	1	1-3977	RETAINING RING
5	1	EAC0097G51A	WASHER-SHOCK MID TIER TC 7564
6	1	EAC0097G54A	WASHER-SHOCK MID TIER TC 10491
7	1	EAA0349G76A	RING-BOX GREASE 4025460
8	2	1-9841	WASHER-PLAIN 6MM/SAME AS4-6641
9	2	1-30901A2	SCREW - SHCS M6 X 16MM
10	1	EAC0099G22A	SUPPORT BEAD BREAKER-20101
11	7	1-16409A	SCREW TCEI 6 X 20 8G
12	1	EAS2169G75AC	PEDAL PROTECTION RAL3000
13	2	1-32601	SCREW-M8 X 20MM HEX HD Z
14	4	1-10041	WASHER, PLAIN M8
15	2	1-11733A	NUT-HEX M8 BLK
16	1	8-03129A	BOX GREASE (1806)
17	1	EAS2029J62A	SIDE PANEL-TIRE CHANGER BLK
18	1	EAS2115G83A	PROTECTOR PEDAL 11227
19	1	1-30901A2	SCREW-HHMS M6 X 20
20	1	1-1548	WASHER-6MM SP-PURCH TEXT
21	2	1-11733A	NUT-HEX M8 BLK
22	2	1-17841	WASHER-ZINC D8 X 24-7021102
23	2	1-32501A	SCREW-HHCS M8 X 20MM ST/FT
24	2	EAM0067G34A	SCREW-CYL FITTING MID TIER TC
25	1	1-31581A	PLUG VALVE HOUSING-1807
26	1	22670	PEDAL DECAL



REF	QTY	PART NUMBER	DESCRIPTION
1	1	EAA0384G22A	PRESSURE LIMITING VALVE
2	1	EAS2201G26A	LUBRICATOR FILTER PROTECTION
3	1	EAS2201G16A	FILTER/LUBRICATOR BRACKET WITH HOSE HOUSING
4	1	1-08676A	PLUG HOLE 26MM USE 1-1876
5	1	EAS2134G52A	GT PEDAL SUPPORT
6	1	ST4029115	VLVE,BD INFLATNG/B-EAA0329G75A
7	2	1-31581A	PLUG VALVE HOUSING-1807
8	1	ST7023119	PIN-STRAIGHT SLOTTED 4 X 30
9	1	ST4029114	INFLTR BD BLST PED EAS2068G87A
10	2	8-03129A	BOX GREASE (1806)
11	1	1-1876	PLUG HOLE 1.093-1.125
12	3	1-15933A	NUT-HEX 8M-1.25
	1	1-02655A	CLEVIS M8 UNI 1676 DIN 71752
	1	1-02955A	PIN-COTTER D.8 W/CLIP
13	2	1-11633A	NUT-M6 X 5.2 BLK
	2	1-1548	WASHER-6MM SP-PURCH
	2	ST7104119	SCREW 6X16 8G
14		N/A	NOT USED
15	1	EAK0315G99A	FITTINGS KIT FOR FILTER
16	1	EAA0439G90A	FILTER-PRESS.RED. LUBRIC.ASSY AIR IN LEFT
17	1	EAA0384G14A	QR GT PEDAL WITH ENDSTROKE
18	1	EAA0489G30A	LUBRICATOR FILTR GROUP
N/S	2	1-11433A	NUT, HEX M4
N/S	2	1-9641	PLAIN WASHER D4MM
N/S	2	1-14309A	SCREW, 4X50 8.8 BLK UNI 5931-67
N/S		EAL0467G90A	LABEL, INSTRUCTION TO DRAIN CONDENSATION

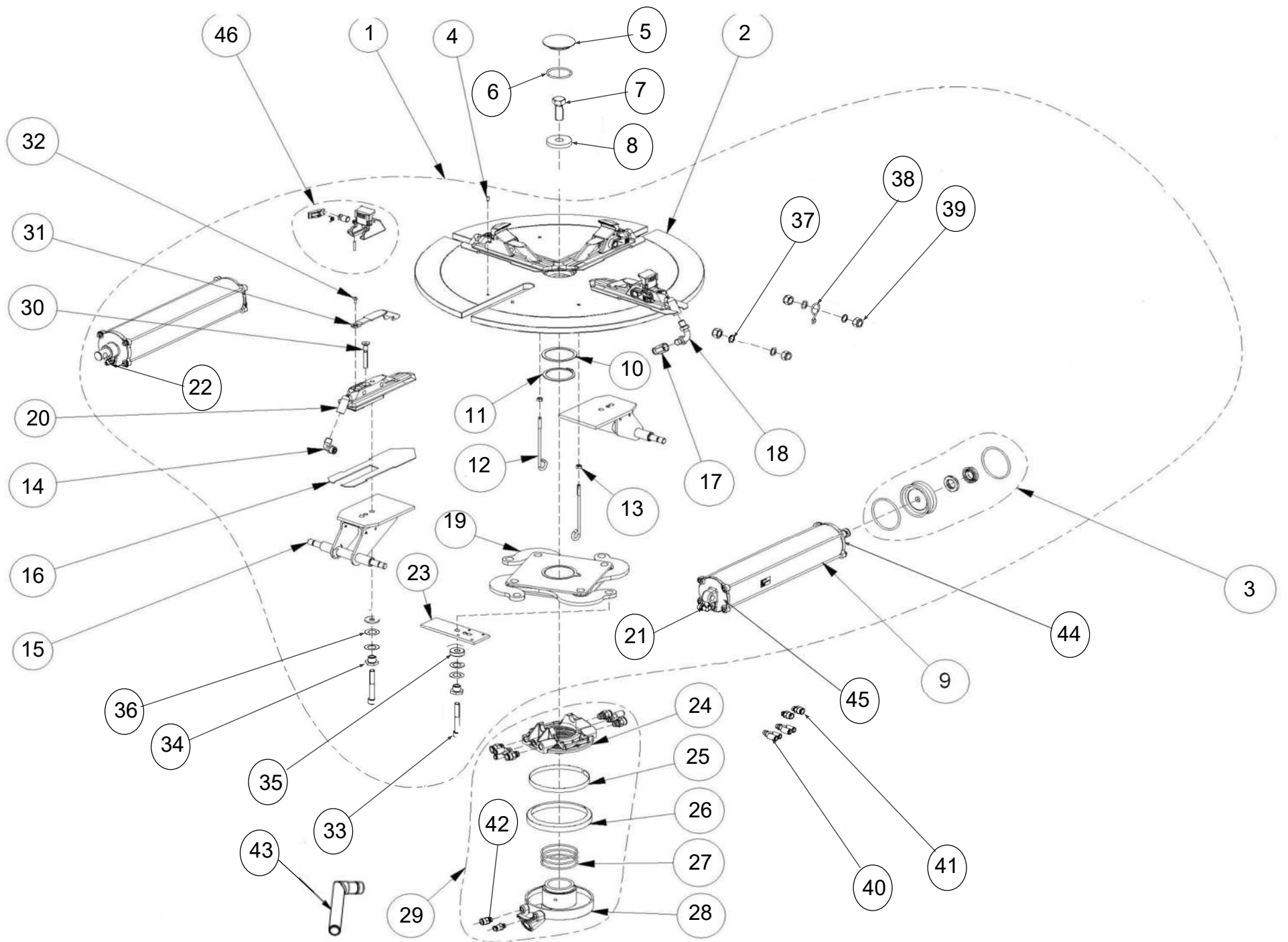




REF #	QTY	PART NUMBER	DESCRIPTION
1	1	EAS2169G73A	SWING COLUMN
2	1	EAA0440G41A	SWING ARM
3	1	EAM0122G32A	ROD-VERTICAL
4	1	EAA0329G95A	MOUNTING/DEMOUNTING TOOL
5	1	EAM0032G02A	WASHER- TOOL CLAMPING
6	1	1-34301A	SCREW HEX 10X20 8G
7	1	EAM0126G17A	PROTECTION, UPPER TOWER
8	1	EAM0140G92A	COVER FOR HEX BAR
9	1	EAS2153G47A	SPRING-RECALL, TOWER,VERTICAL
10	1	1-17609A	SCREW, 8X16 8.8 UNI5931-67
11	1	EAC0078G04A	HANDLE-RUBBER
12	1	EAS2108G36A	LEVER, REGISTER
13	2	1-19633B	NUT- M10 6S BLK UNI5589-65
14	1	EAS2153G46A	LEVER- NECKING
15	1	1-15933A	NUT M8 DIN 936 - UNI 5589
16	1	EAM0067G26A	SCREW, ADJUSTMENT- ROD
17	2	EAL0408G42A	STICKER DANGER
18	3	1-49709A	SCREW TBEI 5X16 8.8
19	1	EAL0408G44A	DANGER LABEL
20	1	1-6452	PIN, STRAIGHT SLOTTED
21	1	1-10341	WASHER - D.14
22	2	EAM0067G29A	WASHER - ADJUSTMENT
23	1	EAM0067G25A	SCREW, SWING ARM SUPPORT
24	2	1-10641	WASHER
25	1	1-21633A	NUT
26	1	8-06120A	MANOMETER-RADIAL 0-16 D.40
27	1	1-31381A	VALVE, ASME SAFETY, 1/4" BSPT

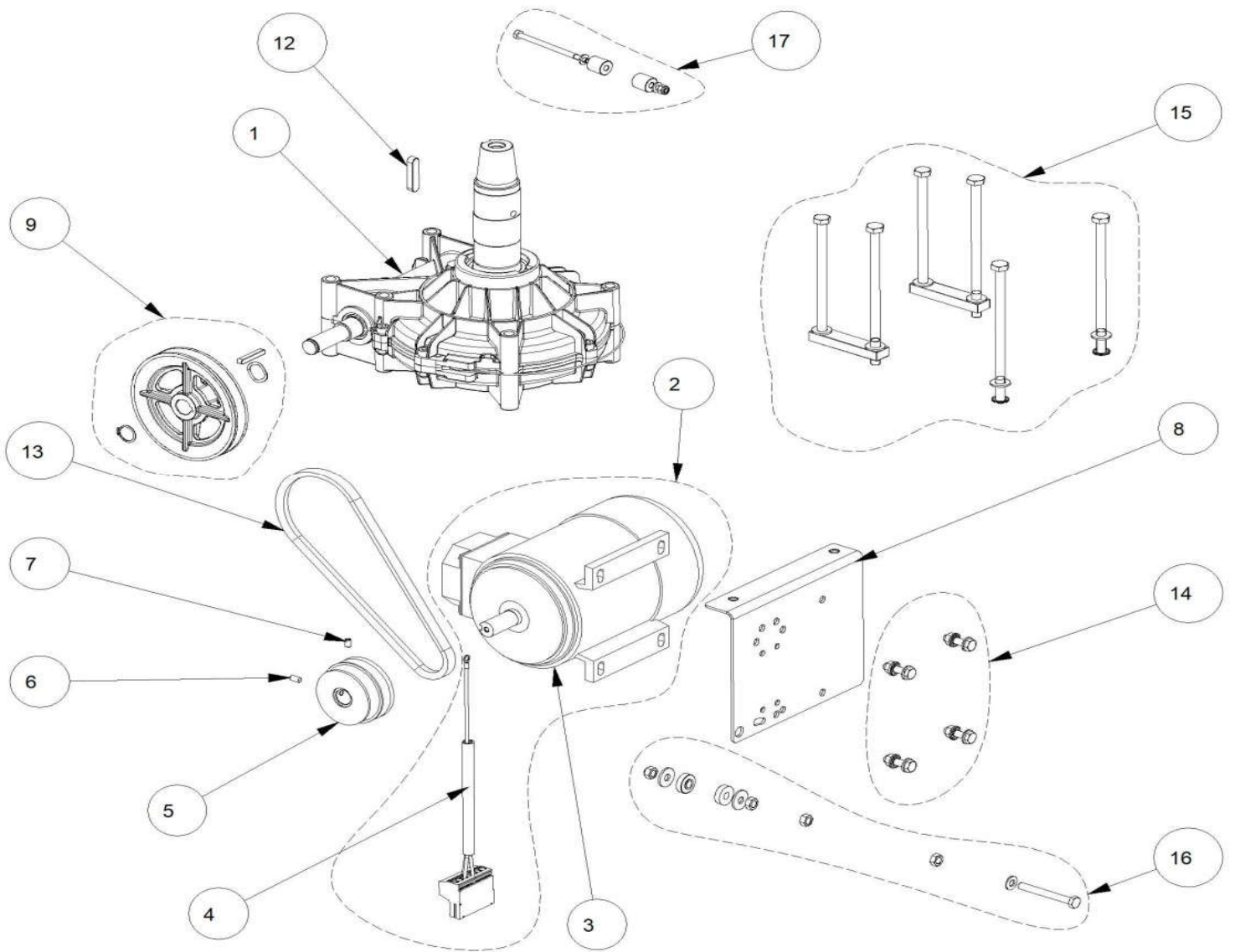


REF #	QTY	PART NUMBER	DESCRIPTION
28	4	1-19409	SCREW TCEI 10X40
29	8	1-10141A1	WASHER P.D.10
30	4	7020879	NUT SELFCLAMPING
31	1	EAA0332G48A	ASSY,GAUGE-PRESSURE PSI / KPA
32	1	EAA0351G03A	ASSY, VALVE- PNEUMATIC
33	1	27096	HOSE, AIR- HIGH PRESSURE
34	4	EAM0075G29A	CLIP, LOCKING-HOSE
35	1	15658	FITTING, RUB.HOLDER 1" LONG
36	1	1-17279A	FITTING "L" 6X8 1/8
37	1	1-17179A	ELBOW FITTING "L" 4X6 1/4"
38	1	1-29581A	VALVE,AIR-CONTROLLED
39	1	EAM0071G99A	FITTING , SUPPORT M1"-20
40	1	14121	HOSE, AIR
41	1	EAS2169G72A	COLUMN SUPPORT
42	1	EAC0094G02A	RING, SHOCK-ABSORBER
43	1	1-03512A	HANDLE WITH SCREW
44	1	EAA0351G06A	KIT-VALVE PNEUMATIC 4022215

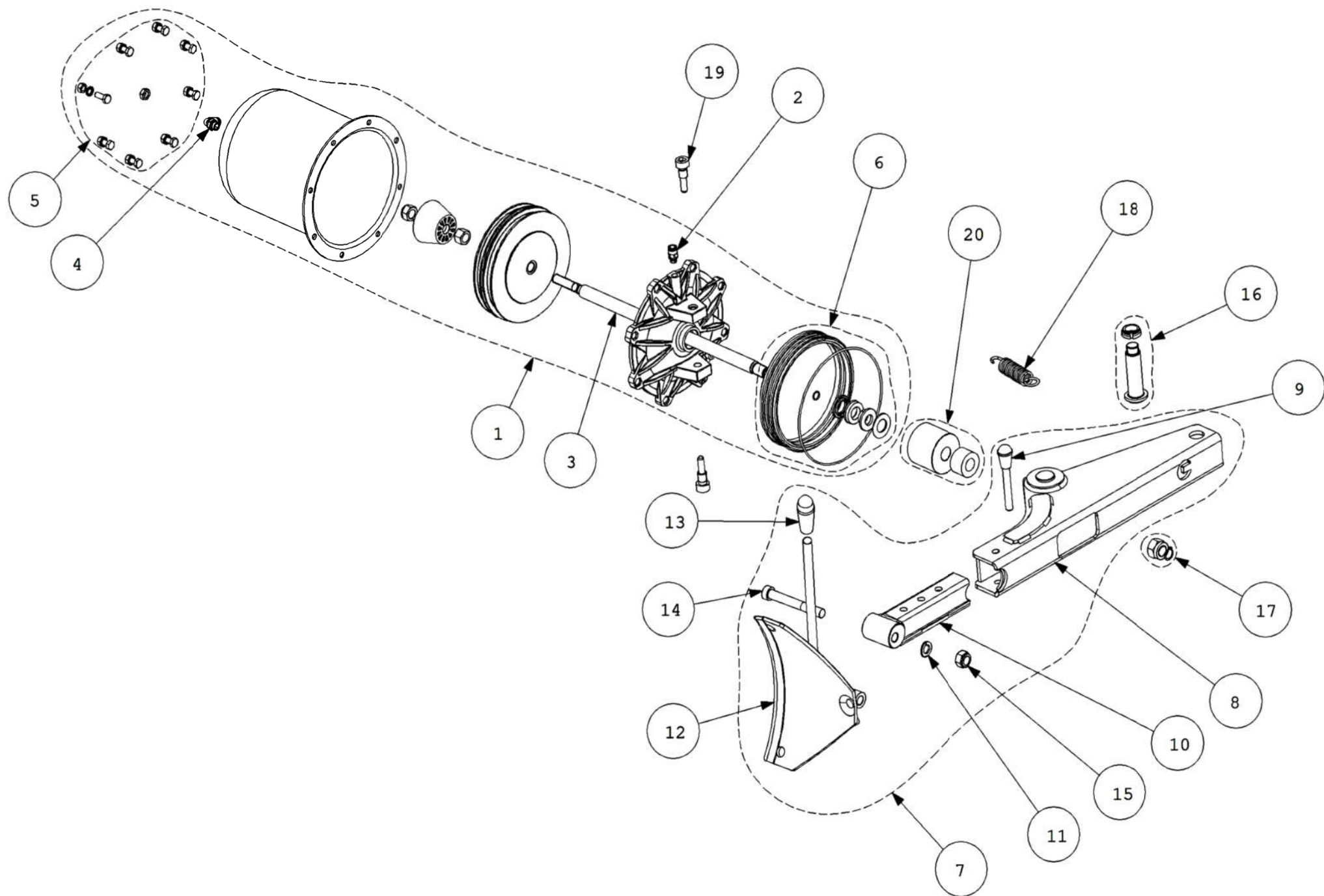


REF #	QTY	PART NUMBER	DESCRIPTION
1	1	EAA0409G85A	TURNTABLE 24' CENTER TYPE GT
2	1	EAS2153G40A	TURNTABLE CENTER TABLE
3	2	EAK0317G36A	CYLINDER SEAL KIT
4	8	1-25952A	PIN DOWEL 5MMX10MM
5	1	EAC0087G47A	TURNTABLE PROTECTOR
6	1	8-11714A	ORING 46.04.3.53
7	1	1-51101A	SCREW 16 X 1.5X 40 8G BR
8	1	EAS2092G32A	WASHER
9	2	EAA0410G31A	SELF CENTERING CYLINDER
10	1	1-18677A	SEEGER UNI 7435 ROD Ø60
11	1	EAM0051G85A	SUPPORT WASHER
12	2	EAM0051G90A	SUPPORT FOR PIPE BS
13	2	1-11633A	NUT - HEX . M6 6 S
14	2	1-14379A	CONNECTION L 1/4" 8X10
15	2	EAA0377G79A	BRACKET CYLINDERS
16	4	EAM0051G00A	GUIDE TERMINALS CENTRE CONVERG
17	2	1-27379A	F.STRAIGHT FITTING 8X10 1/4"
18	2	EAM0051G83A	PIPE FOR BS CLAMP
19	4	EAA0351G73A	CLAMP ACTIONING PLATE
20	4	EAM0075G00A	CLAMP, SLIDING W/CENTRE 24" GT MACHINED
21	2	1-18879A	FITTING - L 4X6 1/8"
22	2	1-27179A	STRAIGHT FITTING 4X6 1/8"
23	2	EAM0043G49A	PLATE REGISTER CLAMP
24	1	EAA0338G76A	COLLECTOR EXTERNAL RING
25	1	EAA0338G77A	GASKET SEAL SPRING
26	1	EAC0087G50A	FRONT GASKET BS
27	3	8-10814A	ORING Ø69.44X3.53

REF #	QTY	PART NUMBER	DESCRIPTION
28	1	EAA0338G27A	INNER COLL. WITH SCREW
29	1	EAA0304G69A	REVOLVING MANIFOLD GT
30	4	1-24603A	SCREW M8X60 CLASSE 12.9 UNI 5933-6
31	4	EAC0099G90A	PROTECTION JAWS NEW ST. 1901
32	4	1-36109A2	SCREW TBEI 5X10 8G
33	4	1-54409A	SCREW, 10X50 12.9 BLK UNI 5931
34	4	EAM0043G19A	ECCENTRIC FOR SLIDING ROD
35	2	EAM0051G75A	SLIDING ROD SPACER
36	8	EAM0051G74A	WASHER 30X17X0.3
37	4	1-24641A	WASHER Ø12,2X18X1 DIN 988
38	1	EAM0051G88A	AIR PIPE HOOK
39	4	1-19933A	NUT M12
40	2	1-13579A	FITTING "Y" 4X6 1/8"
41	2	1-14679A	RAPID CONNECTOR 1/4" Ø10
42	2	1-11379A	FITTING 4X6 1/8"
43	1	EAS2138G25A	RUBBER HOSE CONNECTION
44	2	ST0019653	FRONT CYLINDER FLANGE
45	2	ST0019652	REAR CYLINDER FLANGE
46	4	EAA0408G23A	ASSEMBLED SLIDING JAW C/TYPE V2
N/S	4	EAM0154G76A	SPRING PROTECTION AIR-HOS
N/S	4	ST0026904	PIPE, SPIRAL*BLK 6,5X10X2,5IN L
N/S		5-06435A	4MM X 6MM HOSE BTF
N/S		ST2618004	6MM X 8MM HOSE BTF
N/S		ST2618002	8MM X 10MM HOSE BTF

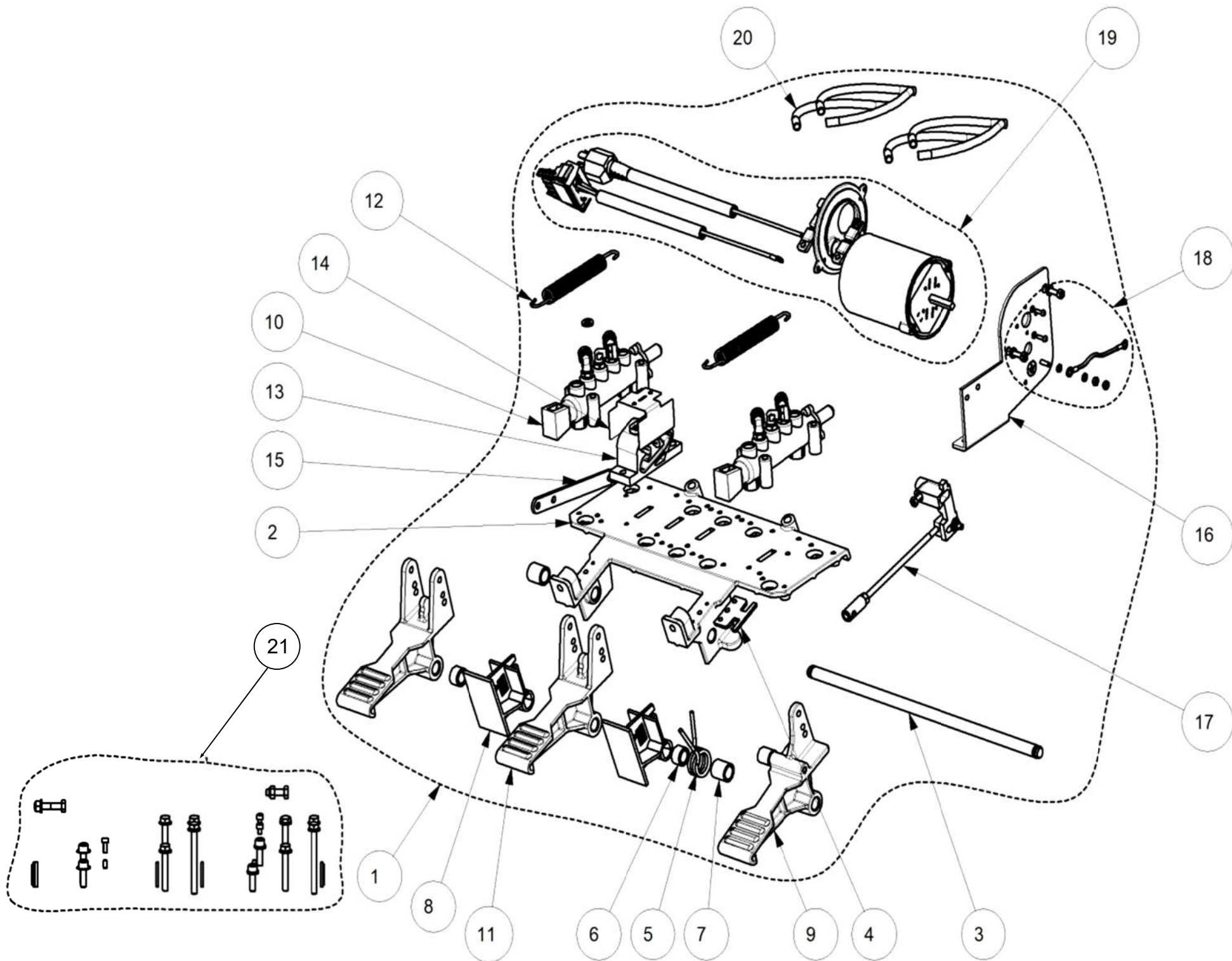


REF #	QTY	PART NUMBER	DESCRIPTION
1	1	EAA0382G23A	GEAR BOX TC
2	1	EAA0534G62A	1PH 115V RIGHT MOTOR ASSEMBLY
3	1	2-99966A	1 PHASE US MOTOR
4	1	EAW0277G10A	MOTOR CABLE
5	1	EAM0154G58A	PULLEY DP=2" HOLE D.5/8"
6	1	1-54210A	SET SCREW M6x10 HEX SOCKET
7	1	1-48910A	SCREW SET HEX SOC FLT PT, 6 X 10
8	1	EAS2131G28A	MOTOR SUPPORT
9	1	EAK0341G09A	GEARBOX PULLEY KIT
12	1	1-1572	KEY-10 X 8 X 45
13	1	EAC0078G58A	BELT V A-26-30939
14	4	EAK0279G64A	SCREWS KIT FOR MOTOR
15	1	EAK0279G65A	SCREWS KIT FOR GEARBOX
16	1	EAK0279G66A	BELT TIGHTENER KIT
17	1	EAK0279G67A	ANTI ROTATION KIT

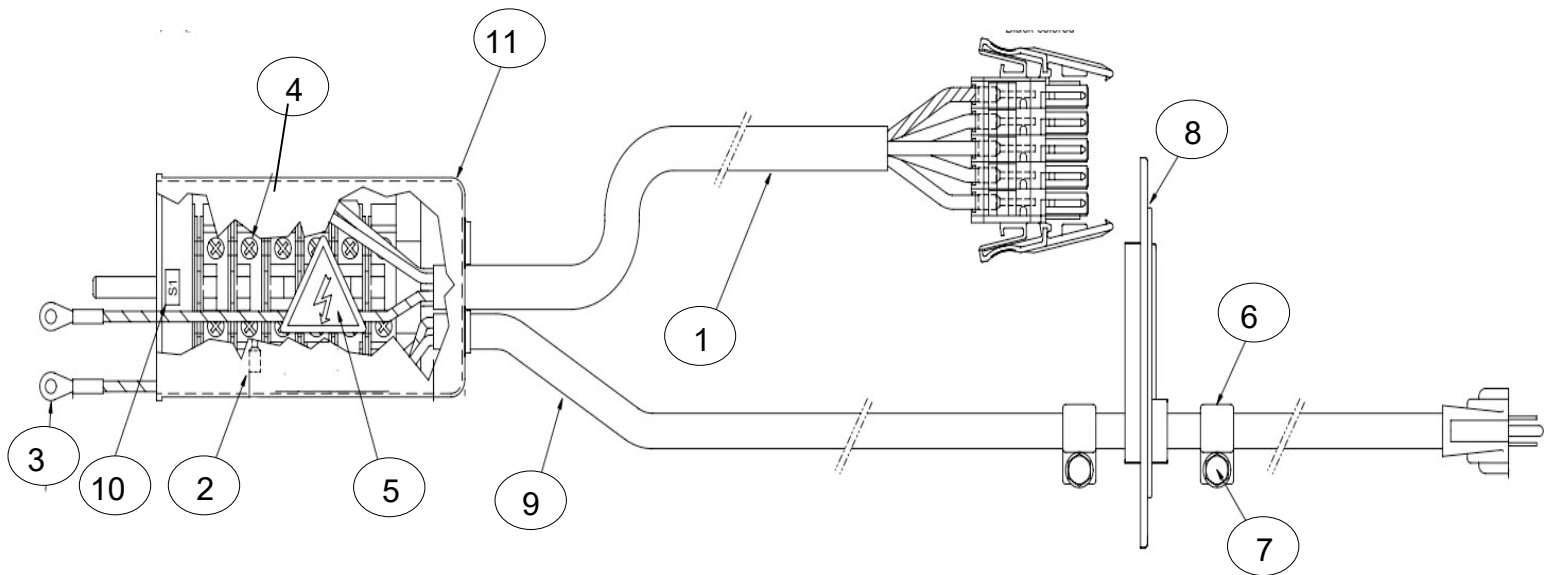


REF #	QTY	PART NUMBER	DESCRIPTION
1	1	EAA0329G49A	TC 22" BEAD BREAKER CYLINDER
2	1	1-11379A	FITTING-ST 6X8 1/8
3	1	EAM0085G80A	ROD BEAD-BREAKER CYLINDER
4	1	1-20179A	FITTING "L" 6X8
5	1	EAK0306G16A	SCREWS AND BOLTS FOR BEAD BREAKER C
6	1	EAK0306G19A	SEALS FOR BEAD BREAKER CYL.
7	1	EAA0338G44A	BEAD BREAKER EXTENSIBLE
8	1	ST4025385	ARM SUPPORT, BEAD-BREAKER
9	1	EAA0328G72A	PIN - LOCK
10	1	ST4022408	EXTENSION-ARM,B/BREAKER
11	2	1-5246	WASHER 14MM
12	1	ST4021305	BLADE, BEADBREAKER
13	1	EAC0078G04A	HANDLE-RUBBER
14	1	1-22609	SCREW TCEI M14X110 8.8
15	1	ST7020409	NUT-S.LOCK,LOW- M14
16	1	EAK0306G20A	FULCRUM KIT FOR BEAD BREAKER ARM
17	1	EAK0306G23A	FIXING KIT FOR BEAD BREAKER ARM
18	1	EAM0067G69A	SPRING-RECALL ARM, BEAD BREAKER
19	2	EAM0067G34A	BEAD BREAKER CYLINDER FITTING SCREW
20	1	EAK0306G21A	END STROKE KIT FOR BEAD BREAKER ARM



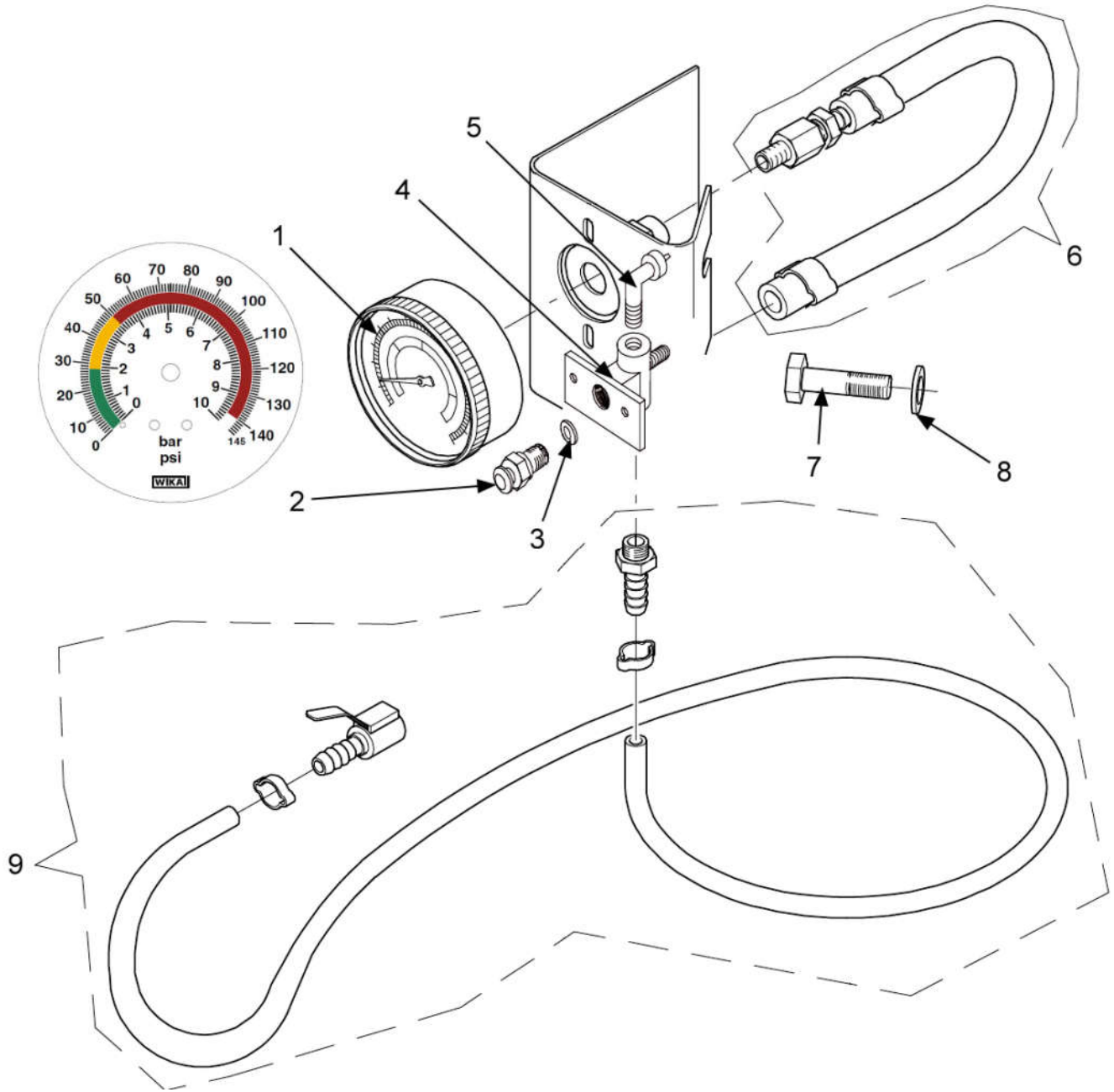


REF	QTY	PART NUM-	DESCRIPTION
1	1	EAA0372G43A	FOOT PEDAL ASM 3P IPH 115V
2	1	EAM0068G80A	PEDAL ASM SUPPORT - MACHINED
3	1	ST0005731	SHAFT-HINGE PEDAL-EAM0068G10A
4	1	EAM0070G32A	COMMUTATOR SPRING GUIDE(35645)
5	1	EAM0048G78A	QR SPRNG PDL SWITCH(0016103)
6	2	EAM0070G46A	SPACER L=11MM -35646
7	2	EAM0048G79A	BUSHING CENTERING-SPRING
8	2	EAC0096G11A	PEDAL SPACER-5655
9	1	EAA0356G92A	RIGHT SWTCH FOOT PEDAL
10	2	EAA0356G94A	BEAD BREAKER VALVE
11	2	EAM0068G95A	STAND. PEDAL MACHINED-35968
12	2	EAM0147G64A	SPRING, RECALL PEDALS
13	1	EAC0103G56A	FOOT PEDAL CAM
14	1	EAS2115G09A	PROTECTION SHEET FOR CAM-36092
15	1	EAS2111G73A	ROD POSITIONER PEDAL-4031049
16	1	EAA0394G63A	1S SWITCH SUPORT ASM
17	1	EAA0347G61A	ROD RGSTR-REV.ASSY
18	1	EAK0279G40A	KIT HARDWAR FOR EEWH513A
19	1	EAA0394G36A	1 PHASE SWITCH-CABLE ASSY. DX US
20	1	N/A	NOT USED
21	1	EAK0279G39A	KIT,NUTS/SCREWS 4-FT PDL ASM



REF	PART NUMBER	DESCRIPTION
1	EAW0277G09A	115V PEDAL-SWITCH MOTOR CABLE
2	2-33301A	BOOTLACE FERRULE 2X2.5MM <sup>2</sup>
3	2-12802A	RING TERMINAL INSULATED 2.5MM <sup>2</sup> FOR M4
4	2-16759A	ONE PHASE ROTARY SWITCH
5	8-23562A	STICKER, DANGER
6	EAW0256G00A	CLAMP FOR CABLE
7	1-24223A	SCREW D 4.8X16 TE BR. UNI 6949
8	EAC0100G22A	CABLE PROTECTION AND HOSE PASS
9	EAW0276G32A	CABLE FROR CEI 20-22 II 3GX2.5 450/750V L. TOT. 3500 M
10	EAL0383G21A	CSA MAINS CORD 3.6M
11	EAC0097G80A	PROTECTION FOR INVERTER

# Complete Assembly EAA0332G46A



REF	QTY	PART NUMBER	DESCRIPTION
1	1	8-06820A	GAUGE-AIR BAR / PSI
2	1	EAA0328G57A	BLEEDER VALVE
3	1	EAM0043G64A	WASHER, BLEEDER VALVE
4	1	EAC0078G59A	BODY BLEEDER VALVE
5	1	1-11479A	FITTING - L 6 X 8 1/8
6	1	EAH0049G12A	HOSE - GAUGE FITTING
7	2	1-32501A	SCREW 8 X 16
8	2	1-10041	WASHER D8



# EHP System III-E

Snap-on Equipment  
309 Exchange Ave.  
Conway, Ar 72032  
501-450-1500

Notice: The information contained in this document is subject to change without notice. Snap-on Equipment makes no warranty with regard to this material. Snap-on Equipment shall not be liable for errors contained herein or for incidental consequential damages in connection with furnishings, performance, or use of this material. This document contains proprietary information which is protected by copyright and patents. All rights are reserved. no part of this document may be photocopied, reproduced, or translated without prior written consent

For Parts And Service Call Snap-on Equipment 1.800.225.5786

PARTS MANUAL