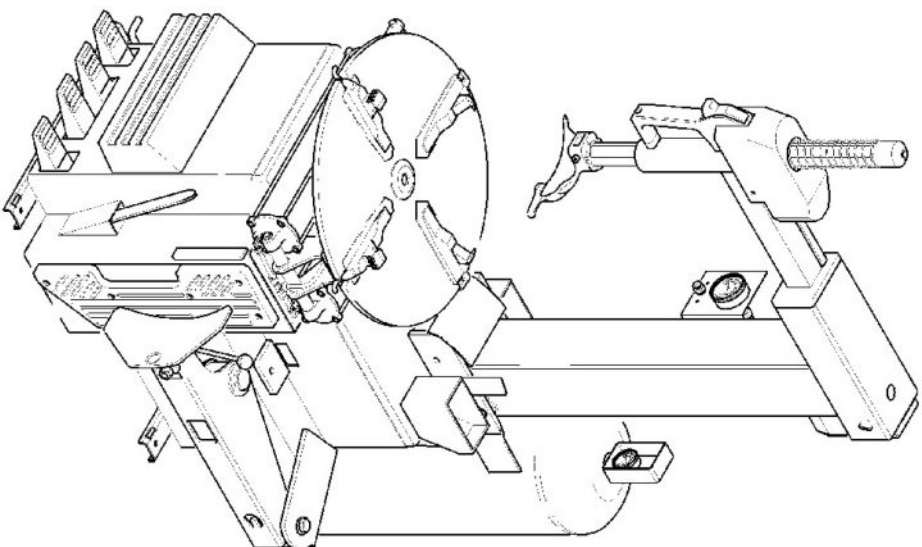


Spare Parts Pieces de Rechange Tabla de repuestos



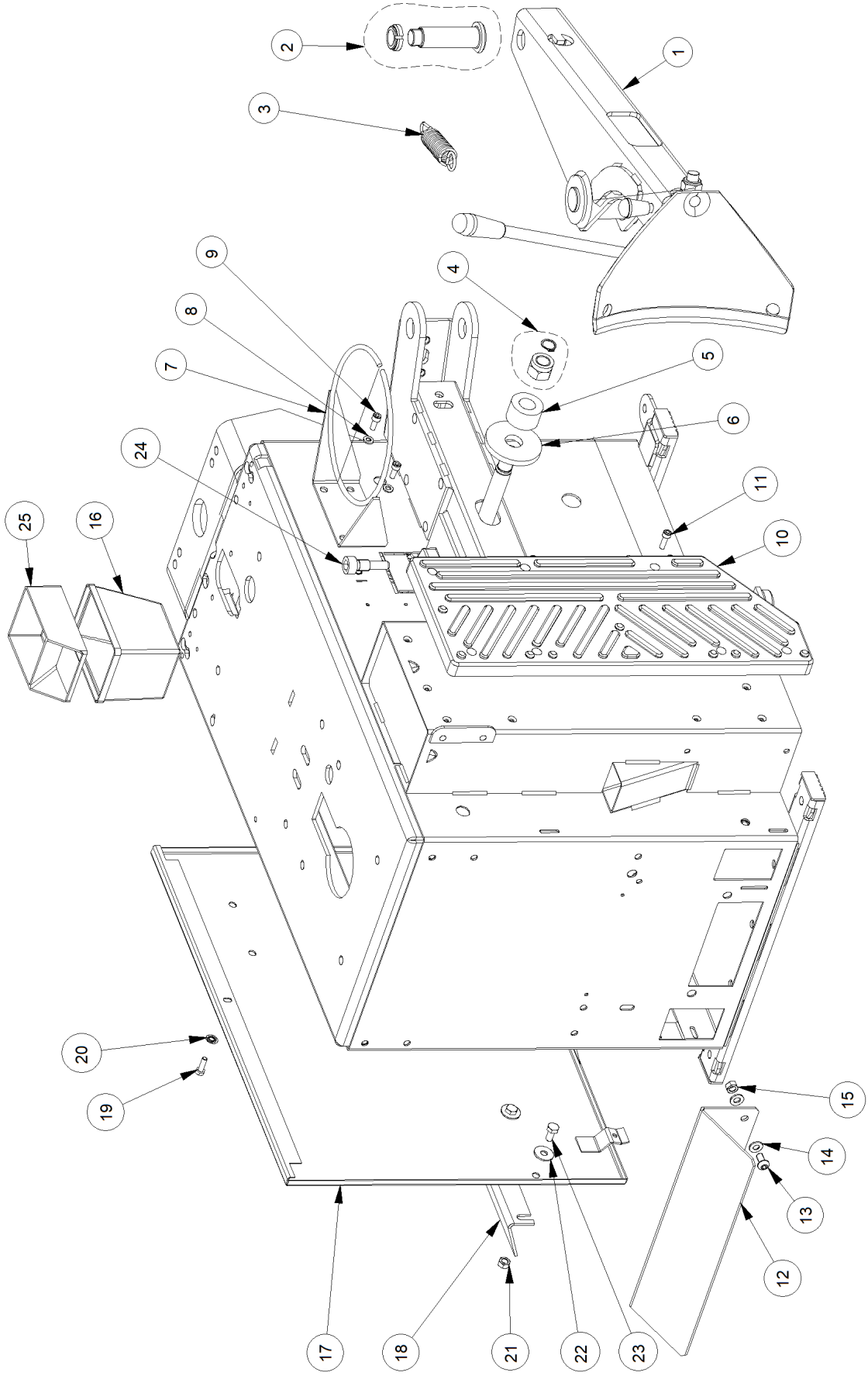
John BeanTM

EHP SYSTEM IVE

INDEX		Page
EAZ0122G43A_B	CABINET	4
EAZ0132G84A_A1	TILTING TOWER	7
EAZ0089G78A_C	24" TURNTABLE GT	12
EAZ0122G09A_B	MOTOR AND GEAR BOX	15
EAZ0070G95A_B1	FOOT PEDAL ASSY ASM 4P 3PH	18
EAZ0033G69A_B	BEAD BREAKER SYSTEM	22
EAZ0033G72A_B	TUBELESS BEADING DEVICE	25
EAZ0132G77A_A	AIR CONTROL SYSTEM	27
EAZ0122G37A_B	NA INVERTER ENHANCED POTENTIOMETER	30
EAZ0103G92A_B2	4P CTS POTENTIOMETER PEDAL UNIT	32
EAZ0132G22A_A	INFLATOR ASSY	35
TEEWH001T_A1	TOP SIDE BEAD SEATING DIAGRAM	38
TEEWH001T_A2	TOP SIDE BEAD SEATING DIAGRAM	39
EEWH708CWD_B	INVERTER DIAGRAM	40
EEWH306AWD_E	MONOPHASE- USA MOTORS	41

UPDATING GUIDE:

Aug. 2020: EAZ0122G43A_A > EAZ0122G43A_B



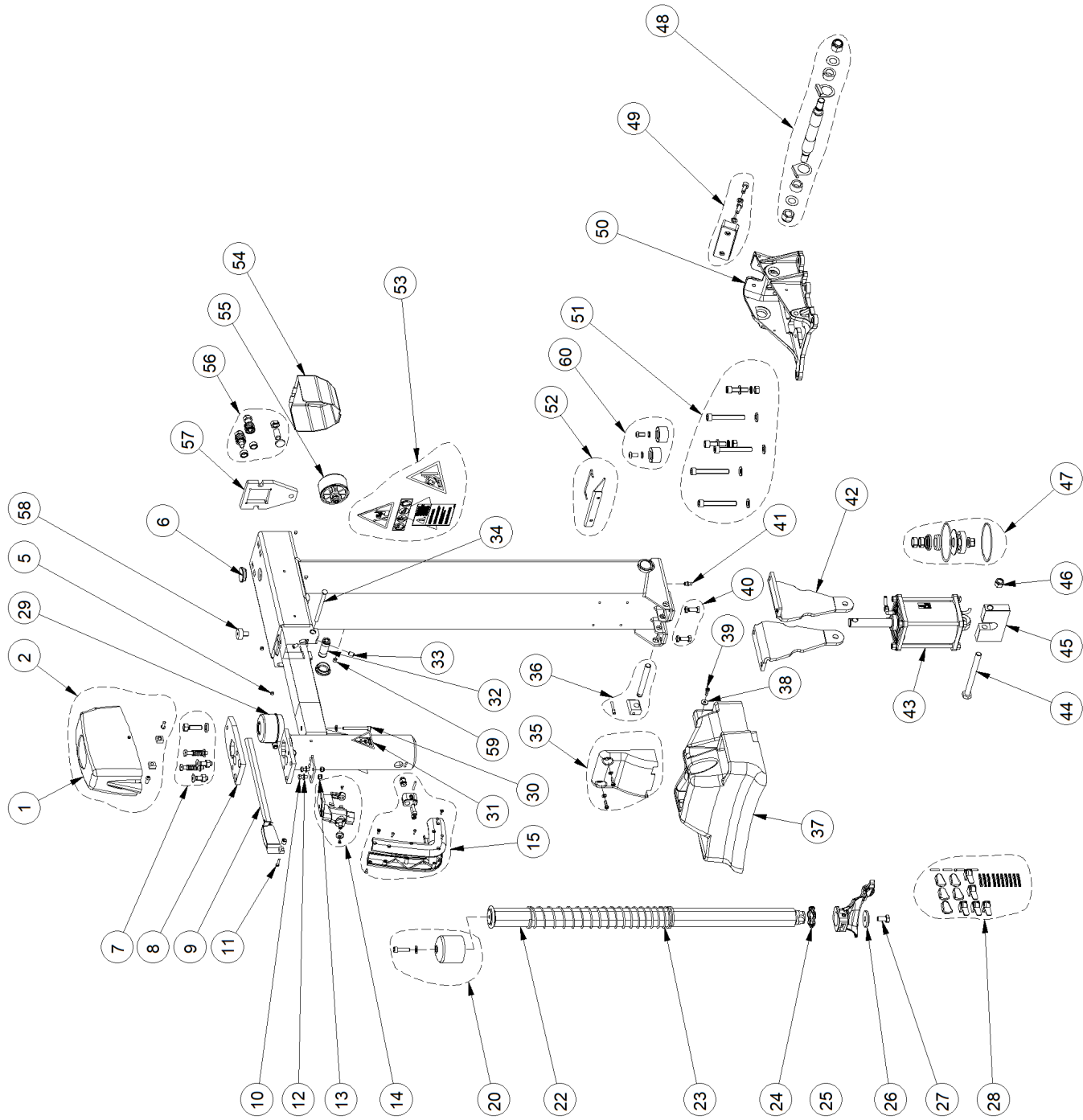
Pos	Code	Designation	Désignation	Designación	N.	Note	Nota	A	B	C
1	EAA0338G44A	BEAD BREAKER EXTENSIBLE	DETALLONEUR EXTENSIBLE	DESTALONADORA EXTENSIBLE	1				X	
2	EAK0306G20A	FULCRUM KIT FOR BEAD BREAKER ARM	KIT PIVOT BRAS DETALONNEUR	KIT PERNO BRAZO DESTALONADOR	1			X		
3	EAM0067G69A	SPRING-RECALL ARM, BEAD BREAKER	RESSORT RAPPEL BRAS DETALONNEUR	MUELLE REGRESO BRAZO DESTAL.	1				X	
4	EAK0306G23A	FIXING KIT FOR BEAD BREAKER ARM	KIT FIXATION BRAS DETALONNEUR	KIT FIJACIÓN BRAZO DESTALONADOR	1			X		
5	EAC0097G51A	WASHER - SHOCK ABSORBER	RONDELLE- AMORTISSEMENT	ARANDELA DE AMORTIGUACIÓN	1			X		
6	EAM0067G33A	WASHER,SUPPORT-BEAD BREAKER	RONDELLE APPUI DETALONNEUR	ARANDELA SOPORTE DESTALONADOR GALV.	1			X		
7	EAA0349G76A	RING- BOX, GREASE	COURONNE BOITE GRAISSE	ANILLO PORTAGRASA GALVANIZADO BLANCC	1				X	
8	1-9841	WASHER,PLAIN d6 ZINC.	RONDELLE d.6	ARANDELA P.D.6 GALVANIZ.	2	D6 UNI6592-69			X	
9	1-16309	SCREW HEX SOCKET M 6X16	VIS CHc	TORNILLO TCEI	2	DIN 433 M6X16 8K ISO 4762		X		
10	EAC0099G22A	PAD- SUPPORT, BEADBREAKER	PALIER APPUI DETALONNEUR	TAMPÓN SOPORTE DESTALONADOR	1			X		X
11	1-16409A	SCREW TCEI 6X20 8G	VIS CHc	TORNILLO TCEI	7	M6 x 30 UNI 5931		X		
12	EAS2169G75A	PEDAL PROTECTION	PROTECTION PEDALES	PROTECCIÓN PEDAL RAL3000	1				X	
13	1-9902A	Screw	Vis	tornillo	2	M8 x 16 ISO 7380		X		
14	1-17741	WASHER d.8	RONDELLE P.d.8 ZINC.JAUNE	ARANDELA P.D.8	4	D8 DIN 125A		X		
15	1-11733	NUT M8	ECROU M8 6S	TUERCA M8 6S	2	M8 8K / DIN934 UNI5588-65		X		
16	8-03129A	BOX-GREASE	BAC GRAISSE	CONTENEDOR PARA GRASA	1				X	
17	EAS2126G60A	BLACK SIDE	CÔTE NOIRE	FLANCO NEGRO	1	EAS2029J62A MADE IN NA ONLY			X	

A = available - disponible - disponible

B = on request - sur demande - a petición

C = suggested - suggeré - sugerido

Pos	Code	Designation	Désignation	Designación	N.	Note	Nota	A	B	C
18	EAS2115G83A	PROTECTOR,PEDAL	PROTECTION PEDALE	PROTECCIÓN PEDAL NEGRO RECUBIERTO	1					X
19	1-30901A2	SCREW TE 6X20 8G	VIS H	TORNILLO TE	1	6X20 8.8 Z.B.			X	
20	1-1548	WASHER-LOCK d.6	RONDELLE DE d.6	ARANDELA DE D.6	1				X	
21	1-11733	NUT M8	ECROU M8 6S	TUERCA M8 6S	2	M8 8K / DIN934			X	
22	1-17841	WASHER - d. 8X24	RONDELLE d.8X24	ARANDELA COMUN D.8X24 GALVANIZ.	2	UNI5588-65 d. 8X24			X	
23	1-32501A	SCREW 8X16 8G	VIS H	TORNILLO TE	2				X	
24	EAM0067G34A	SCREW,FITTING- CYLINDER B/BREAK	FIS FIXATION VERIN DETALONNEUR	TORNILLO FIJACIÓN CIL.DESTALON.	2					X
25	1-31581A	PLUG-VALVE, HOUSING	BAC SOUPEPE	TAPA PORTAVÁLVULAS	1				X	



Pos	Code	Designation	Désignation	Designación	N.	Note	Nota	A	B	C
1	EAC0102G54A	PROTECTION-UPPER, TOWER	PROTECTION SUPERIEURE, POTENCE	PROTECCIÓN SUPERIOR, COLUMNA	1			X		
2	EAK0306G40A	UPPER COLUMN CARTER KIT	KIT CARTER SUPERIEUR MAT	KIT CÁRTER SUPERIOR POSTE	1			X		
5	EAC0099G76A	D.5 CAP FOR SIDE PANEL	TOLE LATERAL	CHAPA LATERAL	4	D.5		X		
6	EAC0097G57A	PLUG-SCREW,RETAINING	BOUCHON - VIS ,ARRET	TAPA PARA TORNILLO DE PARE	2	UNI 5739-65		X		
7	EAK0306G39A	SCREWS FOR UPPER LOCKING LEVER	KIT VIS BLOCAGE SUPERIEUR	KIT TORNILLOS ESTRANGULADOR SUPERIOR	1	UNI5931-67		X		
8	EAM0074G94A	LEVER, PLATE-UPPER	LEVIER PLAQUETTE SUPERIERUE	PALANCA PLAQUETA SUPERIOR	1			X		
9	EAC0099G86A	CARTER, HOSES PROTECTION	CARTER PROTECTION TUYAUX	CÁRTER PROTECCIÓN TUBOS	1			X		
10	1-14701A	SCREW HEX HEAD MACHINE 6X16 8G	VIS H	TORNILLO TE	2	6X16 8G UNI 5739		X		
11	1-17203A	SCREW TSEI 4X16 10.9	VIS FHc	TORNILLO TSEI	1	"M4X16 10,9"		X		
12	1-13241	WASHER,FLAT, d.6	RONDELLE DIAM 6	ARANDELA PLANA D.6 BR	3			X		
13	1-01637A	NUT-S.LOCK,HIGH - M6 5S	ECROU AUTOB.HAUT M6 5S	TUERCA M6 AUT.ALTO CL6	2			X		
14	EAA0338G09A	VALVE,LIFT CONTROL,YELLOW BUTTON	SOUPAPE CONTROLE ELEVATEUR	VALVULA MANDO ELEVADOR	1			X		X
15	EAK0316G10A	KIT HANDLE TILTING TOWER	KIT POIGNEE POTEAU RABATTABLE	KIT ASA POSTE ABATIBLE	1				X	
20	EAK0306G47A	PROTECTION KIT FOR SPRING	KIT PROTECTION RESSORT TIGE HEXAGONAI	KIT PROTECCIÓN MUELLE VARILLA HEXAGON	1			X		
22	20965	ROD- VERTICAL	TIGE VERTICALE	BARRA VERTICAL	1			X		
23	EAM0055G22A	SPRING,RECALL-TOWER, VERTICAL	RESSORT RETOUR TIGE VERTICALE	MUELLE REGRESO COLUMNA VERTICA	1			X		
24	EAC0094G01A	SHOCK ABSORBER- ROD	AMORTISSEUR- TIGE ST1235	AMORTIGUADOR ASTA	1			X		

A = available - disponible - disponible

B = on request - sur demande - a petición

C = suggested - suggeré - sugerido

Pos	Code	Designation	Désignation	Designación	N.	Note	Nota	A	B	C
25	EAA0329G95A	MOUNTING/DEMOUNTING TOOL	OUTIL P. MONTAGE ET DEMONTAGE	HERRAMIENTA P. MONTAJE Y DESMONTAJE	1			X		
26	EAM0032G02A	WASHER- TOOL CLAMPING	RONDELLE FIXATION OUTIL	ARANDELA BLOQUEO HERRAMIENTA	1			X		
27	1-34301A	SCREW HEX 10X20 8G	VIS H	TORNILLO TE	1			X		
28	EAA0372G24A	PROTECTIONS FOR MOUNTING TOOLS	PROTECTIONS FOR MOUNTING TOOLS	GRUPO PROTECCIONES UNIFICADAS PARA H	1			X		X
29	EAA0344G32A	CYLINDER- VERTICAL, LOCKING	VERIN- BLOCAGE VERTICAL	CILINDRO BLOQUEO VERTICAL	1			X		X
30	1-17209	SCREW TCEI 6X60 8G	VIS CHc	TORNILLO TCEI	1	6X60 8G		X		
31	EAL0408G42A	STICKER DANGER	PLAQUETTE DANGER	ADHESIVO PELIGRO	2			X		
32	EAM0082G43A	ROLLER, ARM SLIDING	ROULEAU GLISSEMENT BRAS	CILINDRO DESPLAZAMIENTO BRAZO	1					X
33	1-55101A	SCREW M8X1X12 BURNISHED UNI 5923	VIS FHc	TORNILLO STEI	4			X		
34	EAM0082G44A	KICKOFF	EXPULSOR	EXPULSOR	1					X
35	EAK0306G83A	FRONT COLUMN PROTECTION KIT	KIT CARTER AVANT POTENCE	KIT CÁRTER ANTERIOR POSTE	1			X		
36	EAK0306G50A	Ø12 FULCRUM KIT	KIT PIVOT Ø12	KIT PERNO Ø12	1			X		
37	EAC0103G39A	BASE COLUMN PLASTIC COVER	HABILLAGE BASE POTENCE BASC.	COBERTURA BASE POSTE ABATIBLE	1			X		
37	EAM0180G26A	MACHINED BASE COVER	HABILLAGE BASE POTENCE BASC.USINÉ	COBERTURA BASE POSTE ABATIBLE TRABAL	1	MACHINED TRABALHADA		X		
38	1-19041A	WASHER 5X16X1	RONDELLE 5X16X1 BRUNIE	ARANDELA 5X16X1	4			X		
39	1-24223A	SCREW- SELFTHREAD. 10EX16 TE	VIS AUTOTAR.	TORNILLO AUTOF.	4			X		
40	EAK0306G49A	COLUMN END STROKE KIT	KIT FIN DE COURSE POTENCE	KIT FINAL DE CARRERA POSTE	1			X		

A = available - disponible - disponible

B = on request - sur demande - a petición

C = suggested - suggéré - sugerido

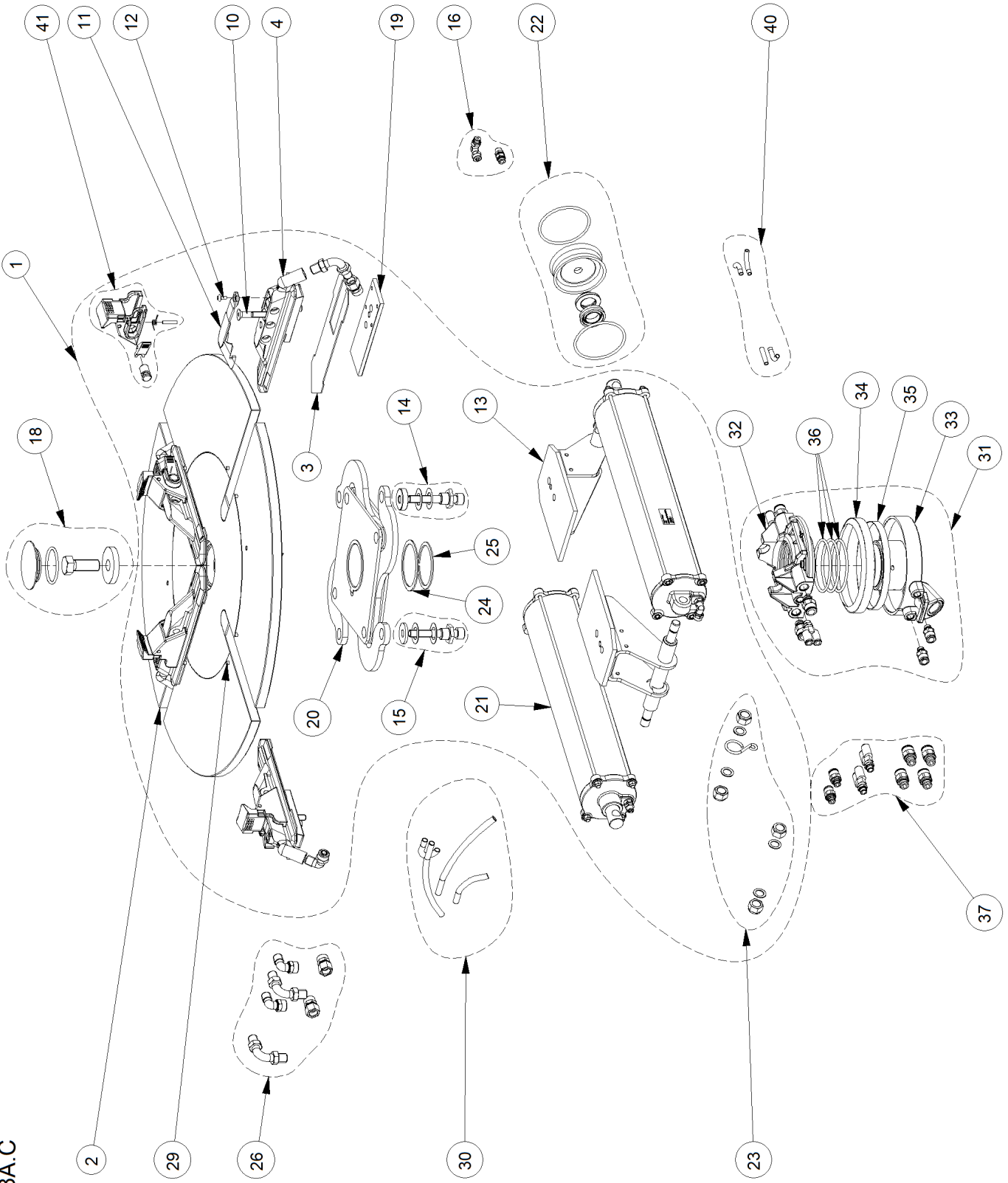
Pos	Code	Designation	Désignation	Designación	N.	Note	Nota	A	B	C
41	1-18084A	GREASER-NIPPLE M8x1,25	GRAISSEUR A BILLES	ENGRASADOR A ESFERA M8x1,25	1	7663-A	CH=9	X		
42	EAS2111G04A	BRACKET FOR TILTING TOWER, WHITE ZINC	OREILLE POUR BASCULANTE	OREJA PARA ABATIBLE	2			X		
43	EAA0356G14A	CYLINDER TILTING TOWER	VERIN POTENCE BASCULANTE	CILINDRO POSTE VOLCABLE	1			X		
44	1-21501	SCREW TE 12X140 8G	VIS H	TORNILLO TE	1	M112X140	8G	X		
45	EAM0069G66A	SPACER FOR CYLINDER	ENTRETOISE OREILLES VERIN ZING.BLANC	DISTANCIADOR OREJAS CILINDRO GALV. BLA	1			X		
46	1-19933A	NUT - LOCK - M12 DIN985	ECROU AUTOBLOQUANT M12	TUERCA M12 AUTOBLOQUEO CL6	1			X		
47	EAA0356G43A	SEALS,KIT FOR TILTING-TOWER CYLINDER D	KIT JOINTS VERIN BASCULEMENT D.90	KIT JUNTAS CILINDRO ABATIBLE D.90	1			X		X
48	EAK0306G02A	TILTING TOWER CONNECTING KIT	KIT RACORDEMENT POTENCE BASCULANTE	KIT CONEXIÓN POSTE PLEGABLE	1			X		
49	EAK0306G35A	CLAMP OVERTURNING KIT	KIT ARRET POTENCE BASCULANTE	KIT TOPE POSTE PLEGABLE	1		UNI 5737-65	X		
50	EAM0080G77A	TOWER SUPPORT MACHINED	SUPPORT POTENCE	SOPORTE POSTE MECANIZADO	1			X		
51	EAK0306G37A	SCREWS+BOLTS FOR COLUMN SUPPORT	KIT VIS SUPPORT POTENCE	KIT TORNILLOS SOPORTE POSTE	1			X		
52	EAK0306G51A	REAR COLUMN PROTECTION KIT	KIT CARTER ARRIERE POTENCE	KIT CÁRTER POSTERIOR POSTE	1		UNI 5933-67	X		
53	EAK0306G38A	LABEL KIT FOR COLUMN	KIT PLAQUETTES POTENCE	KIT PLACAS POSTE	2					X
54	EAC0102G53A	PROTECTION, CYLINDER	PROTECTION VERIN	PROTECCIÓN CILINDRO	1			X		
55	EAA0344G48A	CYLINDER - ROD,HORIZONTAL-LOCK	VERIN- BLOCAGE HORIZONTAL	CILINDRO BLOQUEAJE ORIZONTAL	1			X		
56	EAK0306G48A	SCREWS FOR REAR LOCKING LEVER	KIT VIS BLOCAGE ARRIERE	KIT TORNILLOS ESTRANGULADOR POSTERIO	1		UNI 6592-69	X		
57	EAM0074G95A	LEVER, LOCKING	LEVIER DE BLOCAGE	PALANCA DE BLOQUEAJE	1			X		

A = available - disponible - disponible

B = on request - sur demande - a petición

C = suggested - suggeré - sugerido

Pos	Code	Designation	Désignation	Designaciòn	N.	Note	Nota	A	B	C
58	EAC0094G00A	SCREW-ARM,RETAINING	VIS ARRET BRAS	TORNILLO DE PARO BRAZO	1					X
59	1-47810	SCREW	VIS FHc	TORNILLO STEI	2	M8x80				X
						UNI5923-67				
60	EAK0306G36A	SHOCK ABSORBER KIT FOR COLUMN	KIT TAMPONS AMORTISSEUR POTENCE	KIT TAMPONES AMORTIGUADOR POSTE	1					X
						DIN 985				



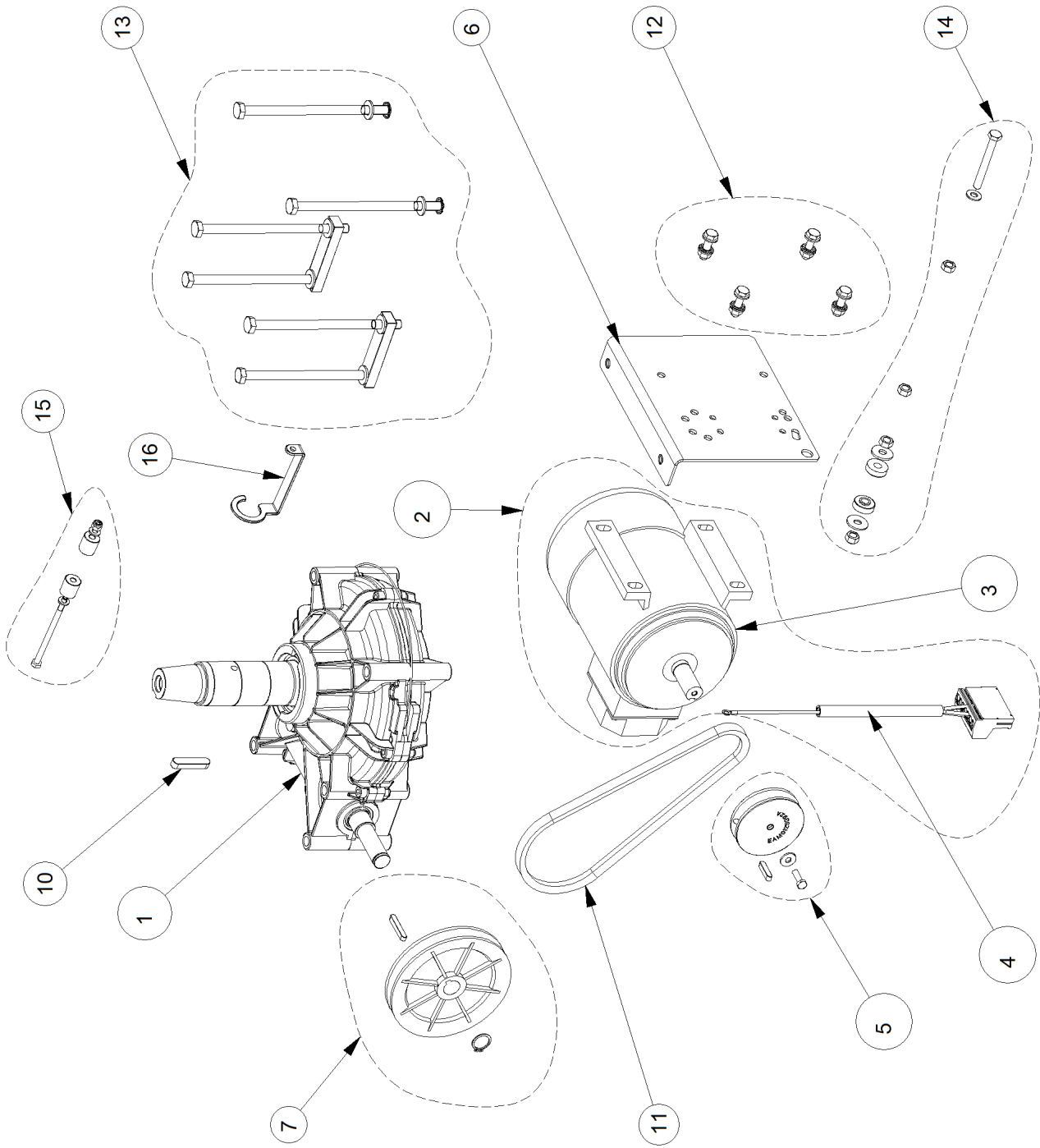
Pos	Code	Designation	Désignation	Designación	N.	Note	Nota	A	B	C
1	EAA0409G85A	24" TURN TABLE CENTRE TYPE GT	AUTOCENTRANT 24" C/CENT.GT COULISSANT	AUTOCENTRANTE 24" C/CENT.GT DESLIZANT	1			X		
2	EAS2153G40A	PLATE- TURNTABLE,CENTRAL 20"	BRIDE AUTOCENTRANTE CEN 20"	BRIDA AUTOCENTRANTE CEN 20"	1			X		
3	EAM0051G00A	GUIDE TERMINALS, CENTRE CONVERG.	GUIDE BORNES, CONV. CENTRE	GUÍA BORNES CONV. CENTRO	4			X		
4	EAM0075G00A	CLAMP, SLIDING W/CENTRE 20"-S2-MACHINE	ETAU COULISSANT A/CENTRE 20"-S2	ABRAZADERA CORREDERA C/CENTRO 20"-S2	4			X		
10	1-24603A	SCREW TSEI 8X60 12.9	VIS FHc	TORNILLO TSEI	4	M8X60 "12,9 ZINC"		X		
11	EAC0099G90A	PROTECTION JAWS NEW	PROTECTION ETAUX	PROTECCIÓN ABRAZADERA NUEVO ST.	4			X		X
12	1-36109A2	SCREW TBEI 5X10 8G	VIS BHc	TORNILLO TBEI	4	5x10 ISO 7380		X		
13	EAA0377G79A	BRACKET CYLINDERS	SIEGE VERINS	ESTRIBO CILINDROS	2			X		
14	EAK0329G88A	SCREWS AND BOLTS WITH ECCENTRIC	KIT VIS AVEC EXCENTR.PLAQUE BORNES	KIT TORNILLOS EXCÉNTR.PLACA BORNES	2			X		
15	EAK0329G89A	SCREWS AND BOLTS FOR CLAMPS	KIT VIS PLATEAU COMMANDE BORNES	KIT TORNILLOS PLACA MANDO BORNES	2			X		
16	EAK0330G35A	TT CYLINDER FITTINGS KIT	KIT RACCORDES CYLINDRE AUTOCENTRANT	KIT RACORES CILINDRO AUTOCENTRADOR	1				X	
18	EAK0306G25A	TURNTABLE FIXING KIT	KIT RACCORDEMENT AUTOCENTRANT	KIT CONEXIÓN AUTOCENTRADOR	1			X		
19	EAM0043G49A	PLATE, REGISTER -CLAMP	PLATEAU REGLAGE ETAU	PLATO REGLAJE GARRA	2			X		
20	EAA0351G73A	CLAMPING PLATE	PLAQUE DE FIXATION	PLACA MANDO BORNES	1				X	
21	EAA0410G31A	CYLINDER, TURNTABLE	CYLINDRE AUTOCENTRANT	CILINDRO AUTOCENTRADOR	2			X		
22	EAK0317G36A	SEAL FOR ROUND CYLINDER	KIT JOINTS CYLINDRES RONDOS	KIT JUNTAS CILINDROS REDONDOS	2			X		X
23	EAK0306G27A	SCREWS AND BOLTS FOR TURNTABLE CYL.	KIT VIS VERINS AUTOCENTRANT	KIT TORNILLOS CILINDROS AUTOCENTRADOR	1			X		

A = available - disponible - disponible

B = on request - sur demande - a petición

C = suggested - suggeré - sugerido

Pos	Code	Designation	Désignation	Designaciòn	N.	Note	Nota	A	B	C
24	EAM0051G85A	SUPPORT,RING	BAGUE DE SOUTIEN	ARANDELA DE SOPORTE	1			X		
25	1-18677A	RING- STOP D.60	ANNEAU D'ARRET	ANILLO DE PARO PARA ÁRBOL D.60	1	D60		X		
						UNI 7435				
26	EAK0330G32A	GT SYSTEM FITTINGS KIT	KIT RACCORDES SYSTEME GT	KIT CONEXIONES SISTEMA GT	1				X	
29	1-25952A	PIN DOWEL 5x10 UNI EN 28734	GOUPILLE	PASADOR	8	5x10		X		
30	EAK0317G09A	HOSES KIT FOR GT NOZZLES	KIT TUYAUX POUR BUSES GT	KIT TUBOS PARA BOQUILLAS GT	1			X		
31	EAA0304G69A	REVOLVING MANIFOLD, TUBELESS INFLATOF	DISTRIBUTEUR TOURNANT GT	DISTRIBUIDOR GIRATORIO GT	1			X		
32	EAA0338G76A	RING,OUTER - MANIFOLD	COLLIER EXTERIEUR COLLECTEUR	ARO EXTERIOR COLECTOR	1			X		
33	EAA0338G27A	RING-INSIDE, WITH SUPPORTS	COLLIER INTERIEUR AVEC ROULEMEN	RUEDA CON CONEXIÓNS	1			X		
34	EAC0087G50A	SEAL TUBELESS INFLATOR-FRONT	JOINT FRONTAL GONFLEUR	JUARNICIÓN FRONTAL HINCHADOR TUBELES	1			X		X
35	EAA0338G77A	SPRING, JOINT SEALING	RESSORT RETENUE JOINT	MUELLE SUJECIÓN JUNTA	1			X		
36	8-10814A	SEAL OR D.69.44X3.53	JOINT TORIQUE	JUARNICIÓN OR	3	ø69.44x3.53		X		X
37	EAK0330G28A	REVOLVING MANIFOLD FITTINGS KIT	KIT RACCORDEMENT DISTRIB.TOURNANT	KIT RACORES DISTRIB. GIRATORIO	1				X	
40	EAK0317G08A	HOSES KIT FOR 24" TURNTABLES	KIT TUYAUX POUR AUTO-CENTRANT 24"	KIT TUBOS PARA AUTOCENTRANTE 24"	1			X		
41	EAA0408G23A	ASSEMBLED SLIDING JAW C/TYPE V2	CALE COULISSANTE C/C ASSEMBLEE V2	CUÑA DESLIZANTE C/C MONTADO V2	4			X		



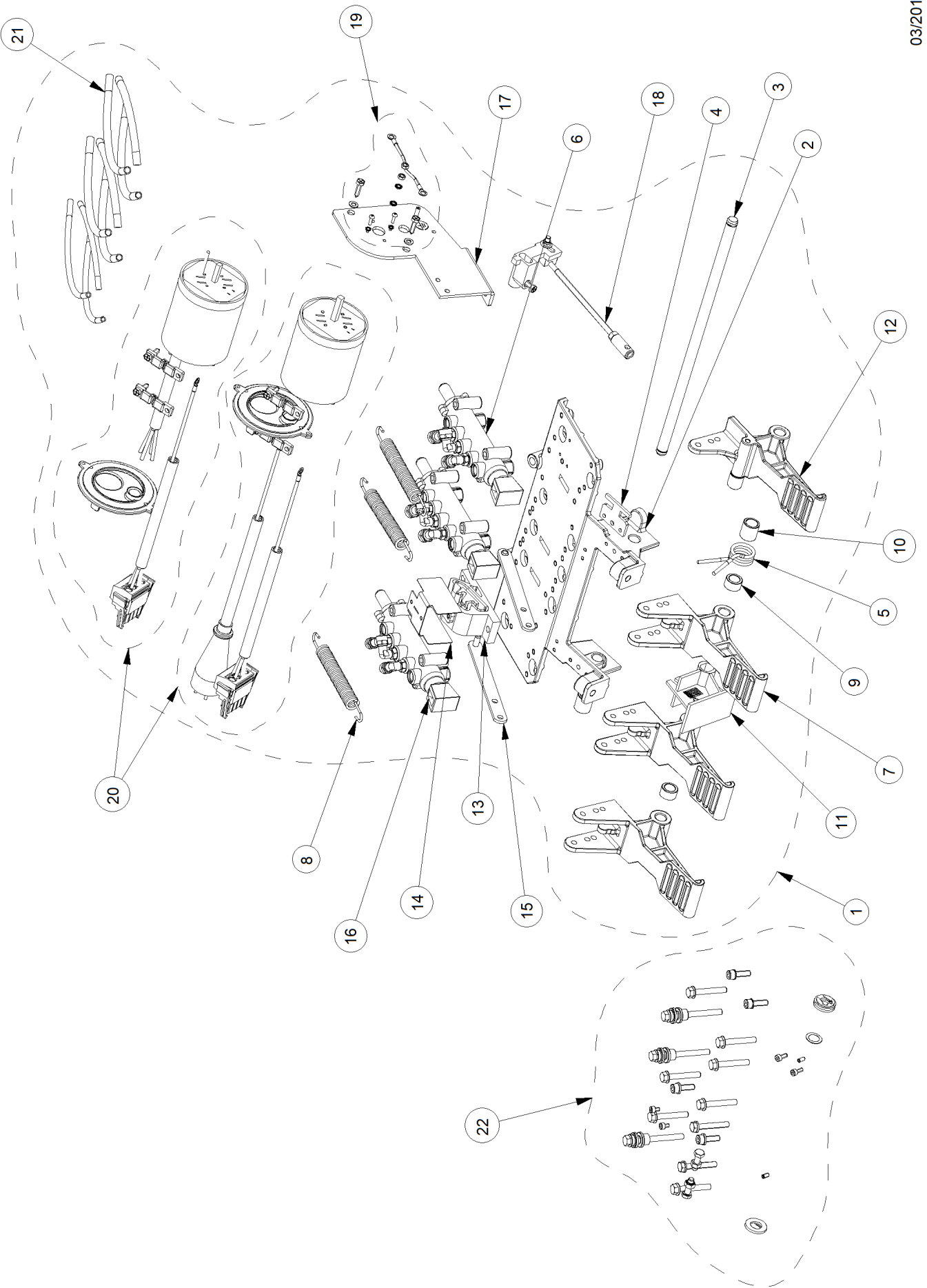
Pos	Code	Designation	Désignation	Designaciòn	N.	Note Nota	A	B	C
1	EAA0457G27A	GEARBOX	REDUCTEUR	REDUCTOR	1		X		
2	EAA0371G80A	1PH 230V MOTOR CABLE ASM	GROUPE MOTEUR CABLE 1F 230V	GRUPO MOTOR CABLE 1F 230V	1	C	X		
2	EAA0371G84A	3PH 230V MOTOR CABLE ASM	GROUPE MOTEUR CABLE 3F 230V	GRUPO MOTOR CABLE 3F 230V	1	G	X		
2	EAA0371G85A	3PH 400V MOTOR CABLE ASM	GROUPE MOTEUR CABLE 3F 400V	GRUPO MOTOR CABLE 3F 400V	1		X		
3	2-54566A	MOTOR SINGLE PHASE 115V DX	MOTEUR 1F 115V DROIT	MOTOR 1F 115V DER.	1	1PH 115V	X		
3	EAA0350G22A	MOTOR SINGLE PHASE 230-50Hz-HP1	MOTEUR MONOPHASE 230-1-50-HP1	MOTOR MONOFASICO 230V 50Hz-HP1	1	230-50Hz	X		
3	2-60266A	MOTOR 0.8/1.1KW 3PH 2/4P 200V 50HZ	MOTEUR 0.8/1.1KW 3F 2/4P 200V 50HZ	MOTOR 0.8/1.1KW 3F 2/4P 200V 50HZ	1	D	X		
3	2-60366A	MOTOR 0.8/1.1KW 3PH 2/4P 400V 50HZ	MOTEUR 0.8/1.1KW 3F 2/4P 400V 50HZ	MOTOR 0.8/1.1KW 3F 2/4P 400V 50HZ	1	F	X		
3	2-60466A	MOTOR 0.8/1.1KW 3PH 2/4P 230V 50HZ	MOTEUR 0.8/1.1KW 3F 2/4P 230V 50HZ	MOTOR 0.8/1.1KW 3F 2/4P 230V 50HZ	1	E	X		
3	2-53066A	MOTOR 3PH 0,75 kW 1PS 220-380V-50Hz	MOTEUR 3ph 220-380V-50Hz-Hp1	MOTOR 3ph 220-380V-50Hz-Hp1	1	3PH 220-380	X		
4	EAW0277G10A	1PH 115V MOTOR CABLE	CABLE MOTEUR 1F 115VAC	CABLE MOTOR 1F 115VCA	1	1PH 115V	X		
4	EAW0277G12A	1PH 230V MOTOR CABLE	CABLE MOTEUR 1F 230V	CABLE MOTOR 1F 230V	1	1PH 230V	X		
4	EAW0277G14A	3PH 200V 2SPEED MOTOR CABLE	CABLE MOTEUR 3F 200V 2VIT.	CABLE MOTOR 3F 200V 2VELOC.	1	D	X		
4	EAW0277G16A	3PH 230V 2SPEED MOTOR CABLE	CABLE MOTEUR 3F 230V 2VIT.	CABLE MOTOR 3F 230V 2VELOC.	1	E	X		
4	EAW0277G18A	3PH 400V 2SPEED MOTOR CABLE	CABLE MOTEUR 3F 400V 2VIT.	CABLE MOTOR 3F 400V 2VELOC.	1	F	X		
4	EAW0277G20A	3PH 230V MOTOR CABLE	CABLE MOTEUR 3F 230V	CABLE MOTOR 3F 230V	1	3PH 230V	X		
4	EAW0277G22A	3PH 400V MOTOR CABLE	CABLE MOTEUR 3F 400V	CABLE MOTOR 3F 400V	1	3PH 400V	X		

A = available - disponible - disponible

B = on request - sur demande - a petición

C = suggested - suggeré - sugerido

Pos	Code	Designation	Désignation	Designación	N.	Note	Nota	A	B	C
4	EAW0277G38A	115VAC MOTOR CABLE (ORANGE)	CABLE MOTEUR 115VAC (ORANGE)	CABLE MOTOR 115VCA (NARANJA)	1	A (ORANGE)		X		
5	EAK0330G25A	MOTOR D.70 PULLEY KIT	KIT POULIE MOTEUR D.70	KIT POLEA MOTOR D.70	1	d.70		X		
6	EAS2109G06A	SUPPORT- MOTOR	SUPPORT MOTEUR	SOPORTE MOTOR	1				X	
6	EAS2131G28A	MOTOR SUPPORT	SUPPORT MOTEUR	SOPORTE MOTOR	1				X	
7	EAK0341G09A	REDUCTION UNIT PULLEY KIT	KIT POULIE REDUCTEUR	KIT POLEA REDUCTOR	1	Dp 130mm		X		
7	EAK0341G45A	PULLEY KIT	KIT DE POULIE	KIT DE POLEA	1	Dp 160mm		X		
10	1-1572	KEY-10x8x45	LANGUETTE	LENGUETA	1	10x8x45		X		
11	EAC0099G95A	BELT, A27	COURROIE A27	CORREA A27	1	A-27		X		X
11	EAC0078G58A	V BELT, A-26	COURROIE A-26	CORREA A-26	1	A-26		X		X
11	EAC0100G52A	BELT A29	COURROIE A29	CORREA A29	1	A-29		X		X
12	EAK0279G63A	SCREWS KIT FOR 1PHASE MOTOR	KIT VIS MOTEUR MONOPHASE	KIT TORNILLOS MOTOR MONOFÁSICO	1	A-B		X		
12	EAK0279G64A	SCREWS KIT FOR MOTOR	KIT VIS MOTEUR	KIT TORNILLOS MOTOR	1			X		
13	EAK0279G65A	SCREWS KIT FOR GEARBOX	KIT VIS REDUCTEUR	KIT TORNILLOS REDUCTOR	1			X		
14	EAK0279G66A	BELT TIGHTENER KIT	KIT TENDEUR-COURROIE	KIT TENSOR DE CORREA	1			X		
15	EAK0279G67A	ANTIROTATION KIT	KIT ANTIROTATION	KIT ANTIRROTACIÓN	1			X		
16	EAS2140G91A	SUPPORT FOR REV. MANIFOLD HOSES	SOUTIEN POUR LES TUYAUX RENOUVELABLE	APOYO A GIRATORIO MANGUERAS COLECTO	1	Alu.Rev.Dist.			X	



Pos	Code	Designation	Désignation	Designación	N.	Note	Nota	A	B	C
1	EAA0370G78A	FOOT PEDAL ASM 4 PEDALS 3PH 230V	GROUPE JEU DE 4P 3PH 230V	JUEGO DE PEDALES 4P 3F 230V	1			X		
1	EAA0370G79A	FOOT PEDAL ASM 4P 3PH 230V (CE)	GROUPE JEU DE 4P 3PH 230V (CE)	JUEGO DE PEDALES 4P 3F 230V (CE)	1			X		
1	EAA0370G80A	FOOT PEDAL ASM 4P 3PH 230V (AUS)	GROUPE JEU DE 4P 3PH 230V (AUS)	JUEGO DE PEDALES 4P 3F 230V (AUS)	1			X		
1	EAA0370G81A	FOOT PEDAL ASM 4 PEDALS 3PH 400V	GROUPE JEU DE 4P 3PH 400V	JUEGO DE PEDALES 4P 3F 400V	1			X		
1	EAA0370G82A	FOOT PEDAL ASM 4P 3PH 400V (CE)	GROUPE JEU DE 4P 3PH 400V (CE)	JUEGO DE PEDALES 4P 3F 400V (CE)	1			X		
1	EAA0370G83A	FOOT PEDAL ASM 4P 3PH 400V (AUS)	GROUPE JEU DE 4P 3PH 400V (AUS)	JUEGO DE PEDALES 4P 3F 400V (AUS)	1			X		
1	EAA0370G84A	FOOT PEDAL ASM 4P 1PH 115V (US)	GROUPE JEU DE 4P 1PH 115V (US)	JUEGO DE PEDALES 4P 1F 115V (US)	1			X		
1	EAA0370G85A	FOOT PEDAL ASM 4P 1PH 230V	GROUPE JEU DE 4P 1PH 230V	JUEGO DE PEDALES 4P 1F 230V	1			X		
1	EAA0370G86A	FOOT PEDAL ASM 4P 1PH 230V (UK)	GROUPE JEU DE 4P 1PH 230V (UK)	JUEGO DE PEDALES 4P 1F 230V (UK)	1			X		
2	EAM0068G80A	PEDAL ASM SUPPORT - MACHINED	SUPPORT JEU PÉDALES - USINÉ	SOPORTE JUEGO DE PEDALES - MECANIZADO	1				X	
3	EAM0068G10A	SHAFT-HINGE, PEDAL	PIVOT PÉDALES	EJE PEDALES	1				X	
4	EAM0070G32A	COMMUTATOR SPRING GUIDE	GUIDE RESSORT INVERSEUR	GUÍ MUELLE INVERTIDOR	1				X	
5	EAM0048G78A	SPRING, PEDAL SWITCH	RESSORT, PEDAL INTERRUPTEUR	MUELLE PEDAL INTERRUPTOR	1			X		X
6	EAA0356G94A	VALVE BEAD-BREAKER	VALVE DÉTALONNEUR	VÁLVULA DESTALONADOR	2			X		X
7	EAM0068G95A	STANDARD PEDAL - MACHINED	PEDAL STD.	PEDAL STD	3				X	
8	EAM0147G64A	SPRING RECALL PEDALS	RESSORT RETOUR PÉDALES	MUELLE DE RETORNO PÉDALES	3			X		
9	EAM0070G46A	SPACER L=11 mm	ENTRETOISE L=11 mm	DISTANCIADOR L=11 mm	2			X		

A = available - disponible - disponible

B = on request - sur demande - a petición

C = suggested - sugeré - sugerido

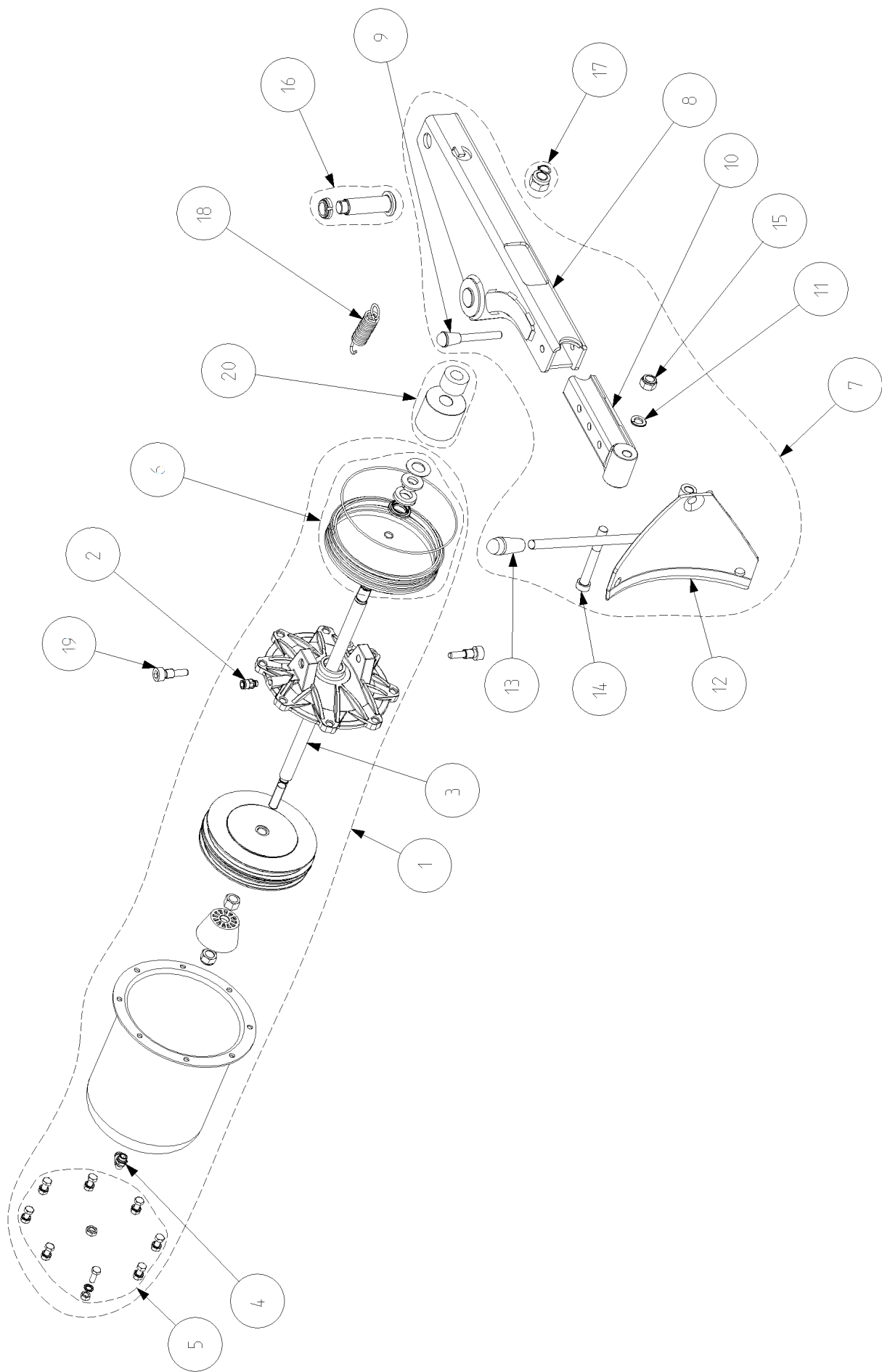
Pos	Code	Designation	Désignation	Designación	N.	Note	Nota	A	B	C
10	EAM0048G79A	BUSHING, CENTERING- SPRING	COQUILLE SIEGE RESSORT	CASQUILLO CENTRADO MUELLE	1				X	
11	EAC0096G11A	SPACER-PEDAL	ENTRETOISE PÉDALES	DISTANCIADOR PEDALES	1				X	
12	EAA0356G92A	RIGHT SWITCH FOOT PEDAL	PEDALE INTERRUPTEUR DROIT	PEDAL INTERRUPTOR DER.	1				X	
13	EAC0099G29A	CAM FOR PEDAL B	CAME PEDALE	LEVA PEDAL	1			X		
14	EAS2115G09A	PROTECTION SHEET FOR CAM	TOLE PROTECTION CAME	CHAPA PROTECCIÓN EXCÉNTRICO	1				X	
15	EAS2111G73A	ROD POSITIONER PEDAL	BIELLE POSITIONNEMENT PEDALE	BIELA DE POSICIONAMIENTO PEDAL	2			X		X
16	EAA0356G96A	TURNTABLE/ TILTING VALVE	SOUPAPE POUR TUBES D.4X6	VÁLVULA PARA TUBOS D.4X6	1			X		X
17	EAA0394G63A	1S SWITCH SUPPORT ASM	SUPPORT INTERRUPTEUR 1S D	GRUPO SOPORTE INTERRUPTOR 1S DX	1				X	
18	EAA0347G61A	ROD, REGISTER-REVERSING GEAR	BIELLE COMMANDE INVERSEUR	BIELA COMANDO INVERSOR	1			X		
19	EAK0279G40A	NUTS/BOLTS FOR SWITCH	KIT VIS FIXATION INVERSEUR	KIT TORNILLOS CONEXIÓN INTERRUPTOR	1			X		
20	EAA0394G30A	3 PH 230V SWITCH-CABLE ASSY W/O PLUG	GR. CABLE-INVERSEUR 3F 230V SANS BROCH	GR. CABLE-INVERSOR 3F 230V SIN PASADOR	1			X		
20	EAA0394G31A	3 PHASE 230V SWITCH-CABLE ASSY WITH PL	GR. CABLE-INVERSEUR TRIPHASE 230V AVEC	GR. CABLE-INVERSOR TRIFASE 230V CON PA	1			X		
20	EAA0394G32A	3 PH 230V SWITCH-CABLE ASSY PLUG AUS	GR. CABLE-INVERSEUR 3F 230V BROCHE AUS	GR. CABLE-INVERSOR 3F 230V PASADOR AU\$	1	AUS		X		
20	EAA0394G33A	ASSY REVERSING SWITCH 3 PH 400V	GROUPE INVERSEUR 3PH 400V	GRUPO INVERSOR 3F. 400V	1			X		
20	EAA0394G34A	ASSY REV. SWITCH 400V 3PH CE PLUG	GROUPE INVERSEUR 3PH 400V (CE)	GRUPO INVERSOR 3F. 400V (CE)	1			X		
20	EAA0394G35A	ASSY REV. SWITCH 3PH 400V AUS PLUG	GROUPE INVERSEUR 3PH 400V (AUS)	GRUPO INVERSOR 3F. 400V (AUS)	1			X		
20	EAA0394G36A	1 PHASE SWITCH-CABLE ASSY. DX US	GR. CABLE INVERSEUR MONOPHASE US DRC	GR. CABLE-INVERSOR MONOFASE US DERE	1			X		

A = available - disponible - disponible

B = on request - sur demande - a petición

C = suggested - suggéré - sugerido

Pos	Code	Designation	Désignation	Designación	N.	Note	Nota	A	B	C
20	EAA0394G38A	1 PHASE SWITCH-CABLE ASSY WITHOUT PLUG	GR. CABLE-INVERSEUR MONOPHASE SANS BROCHE	GR. CABLE-INVERSOR MONOFASE SIN PASADOR	1			X		
20	EAA0394G39A	1 PH 230V SWITCH-CABLE ASSY UK PLUG	GR. CABLE-INVERSEUR MONOPHASE BROCHE UK	GR. CABLE-INVERSOR MONOFASE PASADOR UK	1	UK		X		
21	EAA0364G09A	HOSES KIT FOOT PEDAL ASM 4P - STD	KIT TUBES PEDALIER 4P - STD	KIT TUBOS PEDAL 4P - STD	1			X		
22	EAK0279G39A	NUTS/SCREWS FOR FOOT PEDAL ASM	KIT VIS JEU PÉDALES	KIT TORNILLOS JUEGO DE PEDALES	1			X		



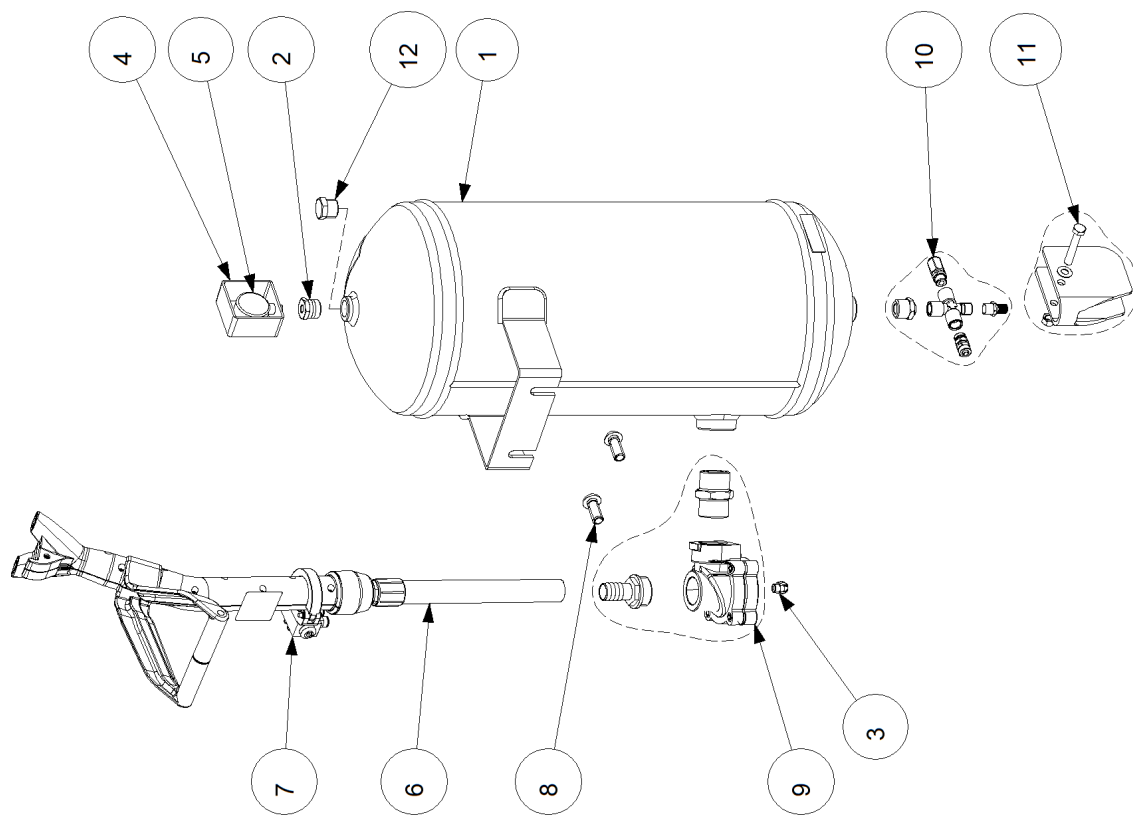
Pos	Code	Designation	Désignation	Designación	N.	Note	Nota	A	B	C
1	EAA0377G31A	TC 22" BEAD BREAKER CYLINDER	VERIN DETALONNEUR TC 22"	CILINDRO DESTALONADOR TC 22"	1			X		
2	1-11379A	FITTING-ST 6X8 1/8	RACCORD 6x8 1/8	CONEXIÓN 6X8 1/8	1	"4x6 1/8"" "		X		
3	EAM0085G80A	ROD BEAD-BREAKER CYLINDER	TIGE CYLINDRE DETALONNEUR	VARILLA CILINDRO DESTALONADOR	1			X		
4	1-20179A	FITTING "L" 6X8	RACCORD	CONEXION RÁPIDA	1			X		
5	EAK0306G16A	SCREWS AND BOLTS FOR BEAD BREAKER C KIT VIS FLASQUE VERIN DETAL.		KIT TORNILLOS BRIDA CIL. DESTAL.	1			X		
6	EAK0306G19A	SEALS FOR BEAD BREAKER CYL.	KIT GARNITURES VERIN DETAL.	KIT JUNTAS CIL. DESTAL.	1			X	X	
7	EAA0338G44A	BEAD BREAKER EXTENSIBLE	DETALLONEUR EXTENSIBLE	DESTALONADORA EXTENSIBLE	1				X	
8	EAS2108G27A	ARM SUPPORT, BEAD-BREAKER	SUPPORT BRAS DETALONNEUR	SOPORTE BRAZO DESTALONADORA	1			X		
9	EAA0328G72A	PIN - LOCK	GOUPILLE DE REGLAGE	ESPIÑA DE REGLAJE	1				X	
10	EAS2087G90A	EXTENSION-ARM,B/BREAKER	RALLONGE BRAS DETALONNEUR	EXTENSION-BRAZO DESTALONADOR	1			X		
11	1-5246	WASHER 14MM	RONDELLE d.14	ARANDELA ELAST.OND.TIPO B D.14	2	B d.14 DIN 137		X		
12	EAS2087G93A	BLADE, BEADBREAKER	PALETTE DETALONNEUR	PALETA DESTALONADOR	1			X		
13	EAC0078G04A	HANDLE-RUBBER	POIGNEE POUR LEVIER	MANIJA PARA PALANCA	1				X	
14	1-22609	SCREW TCEI M14X110 8.8	VIS CHC M14X110 8.8	TORNILLO TCEI M14X110 8.8	1			X		
15	1-10433	NUT-S.LOCK,LOW- M14	ECROU AUTOBLOCANT M 14	TUERCA M14 AUT.BAS.CL.6	1	M14 aut.bas.cl.6 din 985		X		
16	EAK0306G20A	FULCRUM KIT FOR BEAD BREAKER ARM	KIT PIVOT BRAS DETALONNEUR	KIT PERNO BRAZO DESTALONADOR	1			X		
17	EAK0306G23A	FIXING KIT FOR BEAD BREAKER ARM	KIT FIXATION BRAS DETALONNEUR	KIT FIJACIÓN BRAZO DESTALONADOR	1			X		

A = available - disponible - disponible

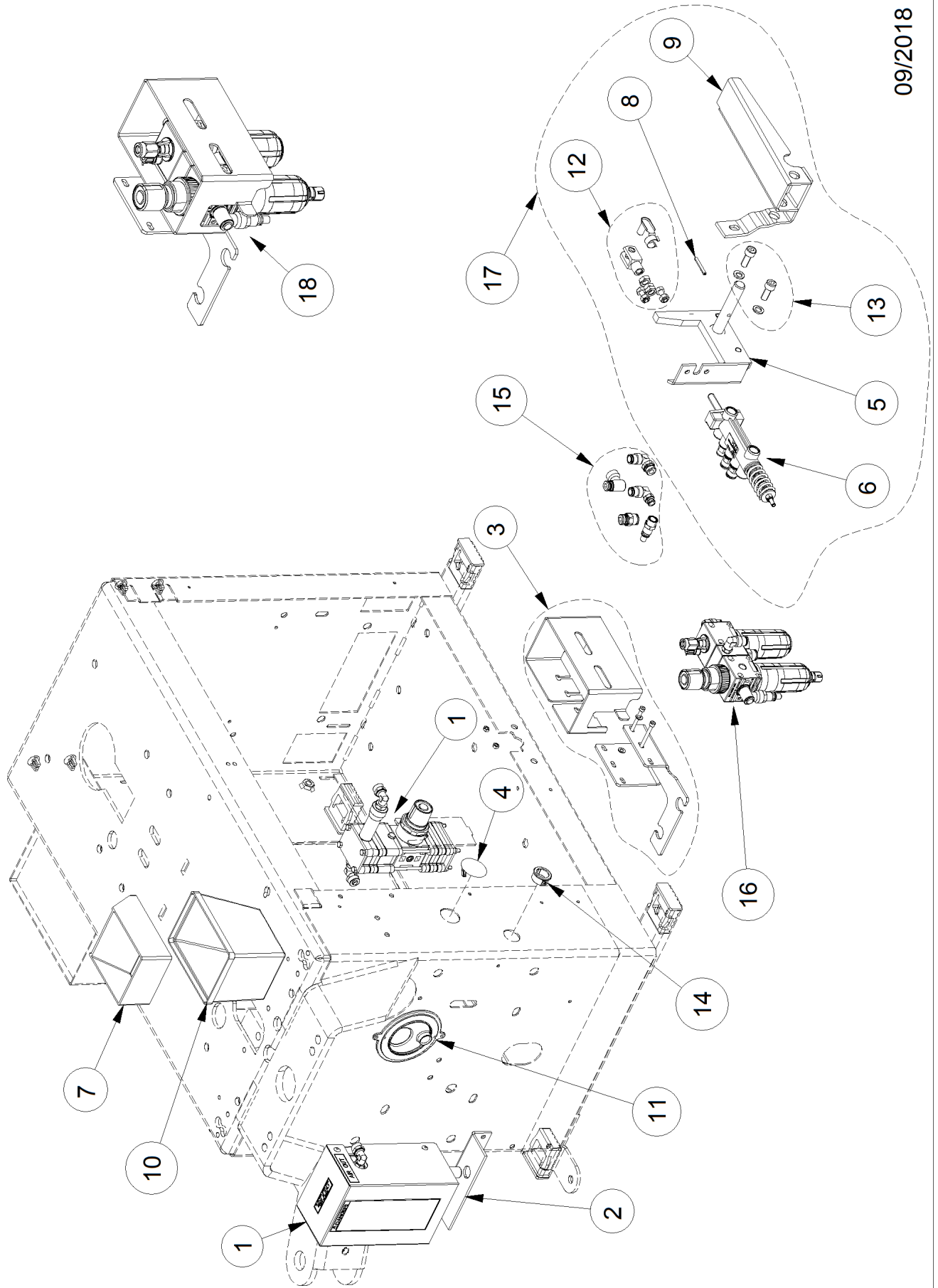
B = on request - sur demande - a petición

C = suggested - sugeré - sugerido

Pos	Code	Designation	Désignation	Designaciòn	N.	Note	Nota	A	B	C
18	EAM0067G69A	SPRING-RECALL ARM, BEAD BREAKER	RESSORT RAPPEL BRAS DETALONNEUR	MUELLE REGRESO BRAZO DESTAL.	1				X	
19	EAM0067G34A	SCREW,FITTING- CYLINDER B/BREAK	FIS FIXATION VERIN DETALONNEUR	TORNILLO FIJACIÓN CIL.DESTALON.	1				X	
20	EAK0306G21A	END STROKE KIT FOR BEAD BREAKER ARM	KIT FIN DE COURSE POUR DETALONNEUR	KIT FINAL DE CARRERA DESTALONADORA	1			X		



Pos	Code	Designation	Désignation	Designación	N.	Note	Nota	A	B	C
1	EAS2089G67A	TANK - INFLATOR	RESERVOIR POMPE LAQUE NOIR	TANQUE INFLATOR TUBELESS	1			X		
2	1-12579A	STRAIGHT,FITTING MF 1/2"-1/8"	REDUCTION MF 1/2"-1/8" CYLINDRIQUE	REDUCCIÓN MH 1/2"-1/8" CILÍNDRICO	1	"3/8""-1/8"" CIL"		X		
3	1-17179A	ELBOW FITTING "L" 4X6 1/4"	RACCORD A L 4X6 1/4"	CONEXIÓN DE TORNILLO EN "L" 4X6 1/4"	1			X		
4	EAM0074G01A	PROTECTION, MANOMETER	PROTECTION MANOMETRE	PROTECCIÓN MANÓMETRO	1				X	
5	8-06120A	MANOMETER-RADIAL 0-16 D.40	MANOMETRE RADIAL 0-16 D.40	MANÓMETRO RADIAL 0-16BAR D.40	1			X		
6	EAA0363G53A	GT ASSEMBLY	GROUPE GT	GRUPO GT	1			X		
7	EAA0362G84A	BEAD INFLATOR CONTROL VALVE	VALVE ACTIONNEMENT DETALONNEUR	VÁLVULA ACCIONAMIENTO GT COMPLETA	1				X	
8	1-58409A	SCREW	VIS	TORNILLO	1	M12X30 8K ISO 7380		X		
9	EAK0306G44A	ASSY, VALVE FOR GT NOZZLE	KIT SOUPAPE POUR BUSE GT	KIT VÁLVULA PARA BOQUILLA GT	1			X		X
10	EAK0306G46A	FITTINGS FOR GT NOZZLE	KIT RACCORDES BUSE GT	KIT CONEXIONES BOQUILLA GT	2				X	
11	EAK0306G45A	FITTINGS PROTECTION FOR GT	KIT PROTECTION RACCORDES GT	KIT PROTECCIÓN RACORES GT	1				X	
12	1-09276A	1/2" CAP	BOUCHON 1/2"	TAPÓN 1/2"	1				X	



Pos	Code	Designation	Désignation	Designación	N.	Note	Nota	A	B	C
1	EAA0350G78A	PRESSURE LIMITER VALVE	VANNE REDUCTEUR DE PRESSION	REGULATOR DE PRESION	1	external version		X		X
1	EAA0384G22A	VALVE, AIR CONTROL	CLAPET REDUCTEUR DE PRESSION	VÁLVULA LIMITADORA PRESIÓN	1	internal version		X		
2	EAS2090G13A	BRACKET-VALVE, INFLATOR	SIEGE VANNE GONFLEUR	ESTRIBO VALVULA INFLADOR	1			X		
3	EAK0330G49A	NA LUB. FILTER FIXING KIT	KIT DE FIXATION FILTRE	KIT FIJACIÓN FILTRO	1	NA			X	
4	1-08676A	CAP, CLOSING	COUVERCLE FERMETURE	TAPÓN DE CIERRE	1				X	
5	EAS2134G52A	GT PEDAL SUPPORT	SUPPORT PEDALE	SOPORTE PEDAL	1			X		
6	EAA0329G75A	VALVE, BEAD INFLATING	SOUPAPE CONTROLE GONFLE PNEU S/CHAM	VALVULA MANDO INFLACION NEUM.S/CAMA	1			X		X
7	1-31581A	PLUG-VALVE, HOUSING	BAC SOUPAPE	TAPA PORTAVÁLVULAS	2			X		
8	1-6652	PIN - STRAIGHT SLOTTED 4X30	BROCHE ELASTIQUE	PASADOR ELÁSTICA	1	4X30 DIN 1481		X		
9	EAS2068G87A	INFLATOR PEDAL CATAPHOR. BLK	PEDALE POMPE LAQUAGE HEPOXY NOIR	PEDAL HINCHADOR TUBEL.NEGRO	1			X		
10	8-03129A	BOX-GREASE	BAC GRAISSE	CONTENEDOR PARA GRASA	2				X	
11	EAC0100G22A	CABLE PROTECTION	PROTECTION CÂBLES	PROTECCIÓN CABLES	1				X	
12	EAK0306G32A	SCREWS AND BOLTS FOR GT VALVE	KIT VIS SOUPAPE GT	KIT TORNILLOS VÁLVULA GT	1			X		
13	EAK0306G33A	SCREWS AND BOLTS FOR GT PEDAL	KIT VIS PEDALE GT	KIT TORNILLOS PEDAL GT	1			X		
14	8-11616A	SNAP BUSHING Øe 22.2mm - Øi 17.5mm	DOUILLE Øe 22.2mm - Øi 17.5mm	CASQUILLO	1	Øe 22.2mm Øi 17.5mm		X		
15	EAK0315G99A	FITTINGS KIT FOR FILTER	KIT RACCORDES POUR FILTRE	KIT RACORES PARA FILTRO	1			X		X
16	EAA0439G90A	FILTER-PRESS.RED.-LUBRIC.ASSY+AIR IN L	GROUPE FILTRE RED. + LUBRIF AIR GAUCHE	GRUPO FILTRO RED. + LUBRIC. AIRE IZQ.	1				X	

A = available - disponible - disponible

B = on request - sur demande - a petición

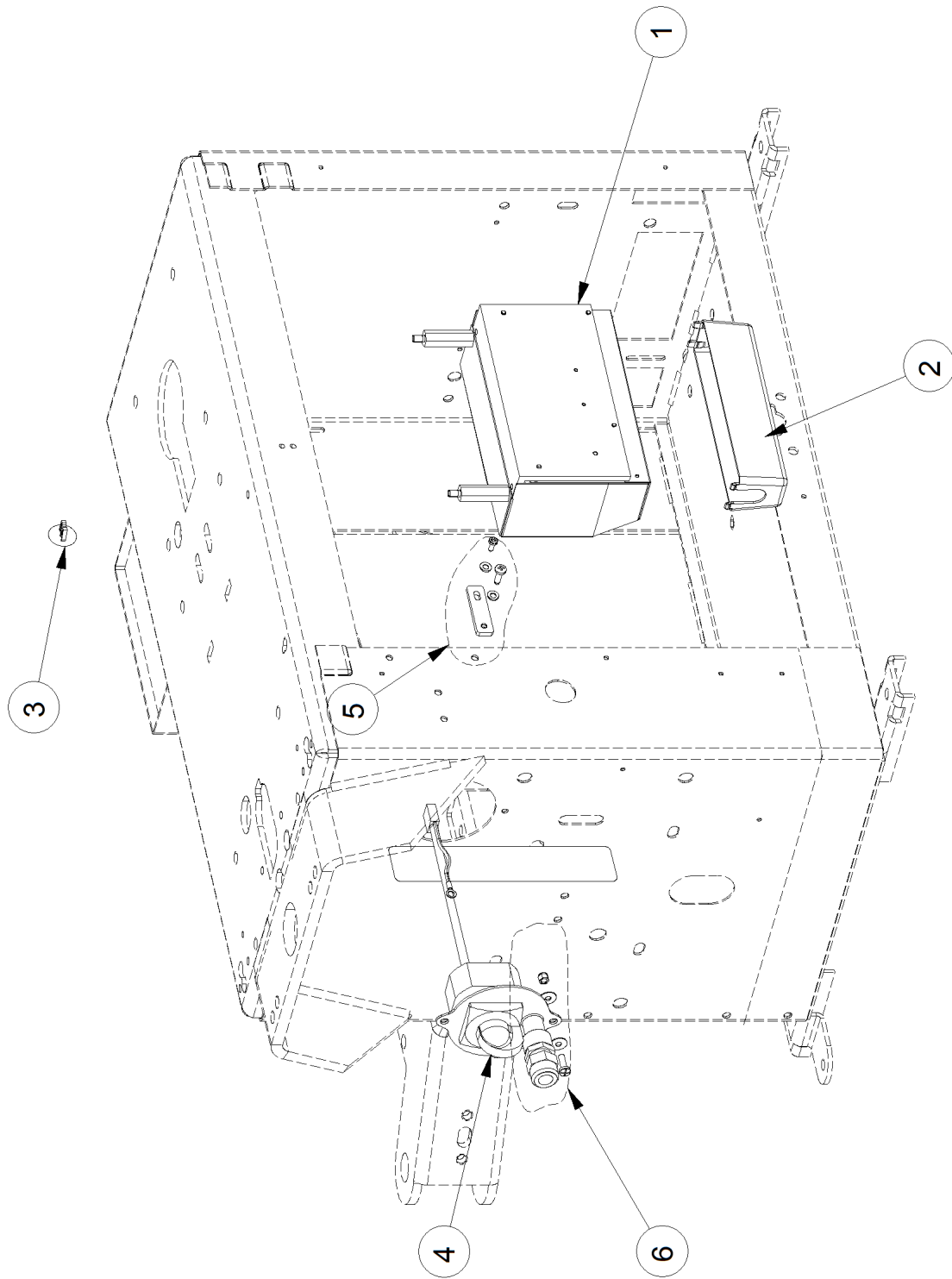
C = suggested - suggeré - sugerido

Pos	Code	Designation	Désignation	Designaciòn	N.	Note	Nota	A	B	C
17	EAA0384G14A	GROUP, BEAD INFLATING PEDAL	GROUPE PEDALE POMPE	GRUPO,PEDAL INFLADOR	1			X		X
18	EAA0489G30A	LUBRICATOR FILTER GROUP	GROUPE FILTRE LUBRIFICATEUR	GRUPO FILTRO LUBRIFICADOR NA	1				X	

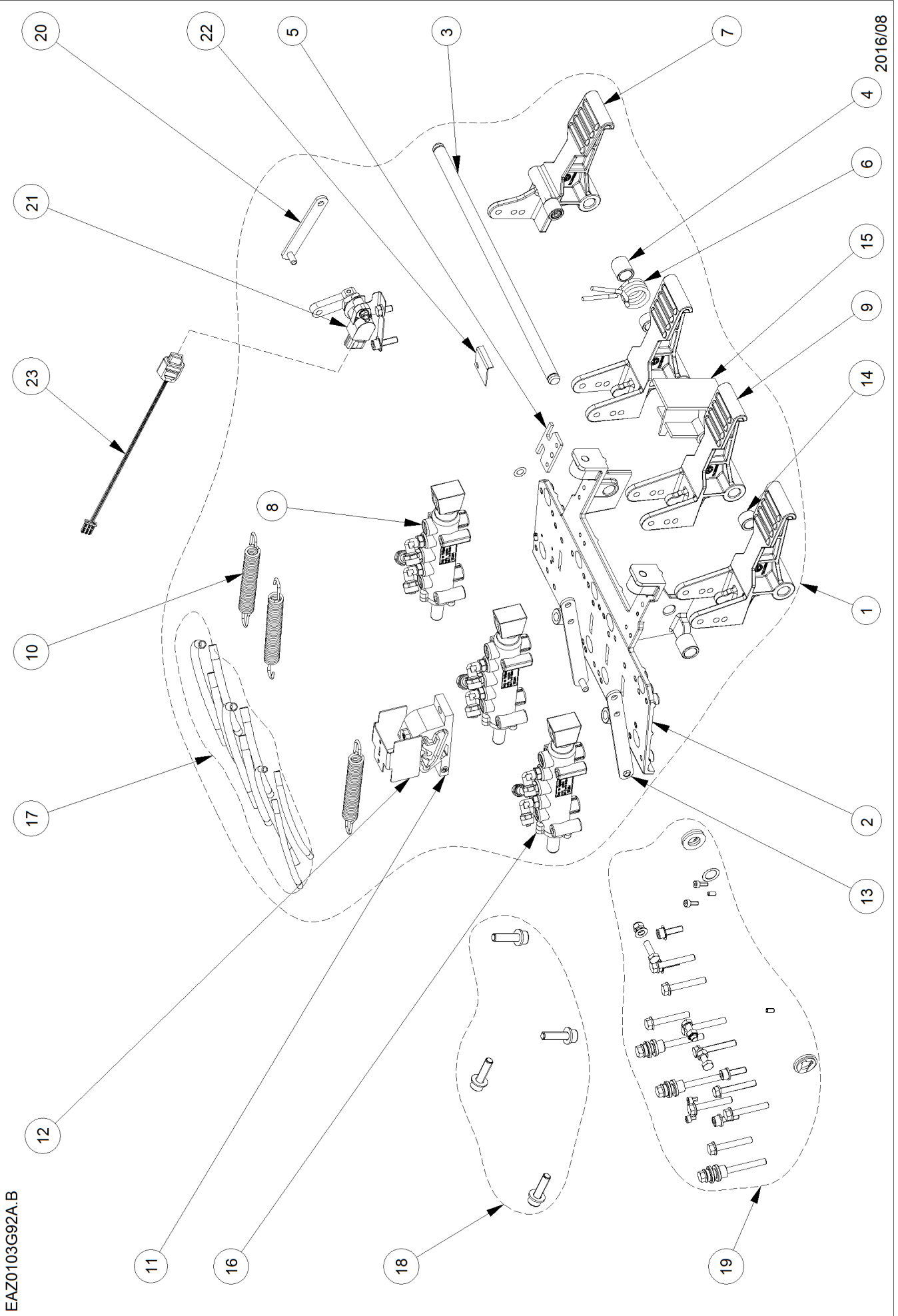
A = available - disponible - disponible

B = on request - sur demande - a petición

C = suggested - suggeré - sugerido



Pos	Code	Designation	Désignation	Designaciòn	N.	Note	Nota	A	B	C
1	EAK0341G06A	INVERTER GROUP - 230V	GROUPE ONDULEUR DEMONTE-PNEUS - 230V	GRUPO INVERTER DESMONTADOR - 230V	1	18 rpm-new version		X		
1	EAK0341G07A	INVERTER GROUP ENHANCED POTENTIOME	GROUPE POUR ONDULEUR POTENTIOMÈTRE	GRUPO INVERTER POTENCIÓMETRO EVOLUC	1	14 rpm new		X		
2	EAC0103G88A	COVER FOR INVERTER BOX	COUVERCLE BOITE CONVERTISSEUR	TAPA CAJA INVERTER	1				X	
3	1-09076A	CAP CLOSING	COUVERCLE FERMETURE	TAPA CIERRE	1	D.14>D.21 E.CO 50486 UL		X		
4	EAA0481G43A	ROTARY CAM SWITCH GROUP - UL	GROUPE SECTIONNEUR	GROUPE SECTIONNEUR	1			X		
5	EAK0317G29A	KIT, BRACKET FOR INVERTER	KIT FIXATION RENVOI POUR ONDULEUR	KIT FIJACIÓN TRANSMISIÓN PARA INVERTER	1				X	
6	EAK0317G30A	KIT, FIXING FOR SWITCH	KIT FIXATION SECTIONNEUR	KIT FIJACIÓN SECCIONADOR	1				X	



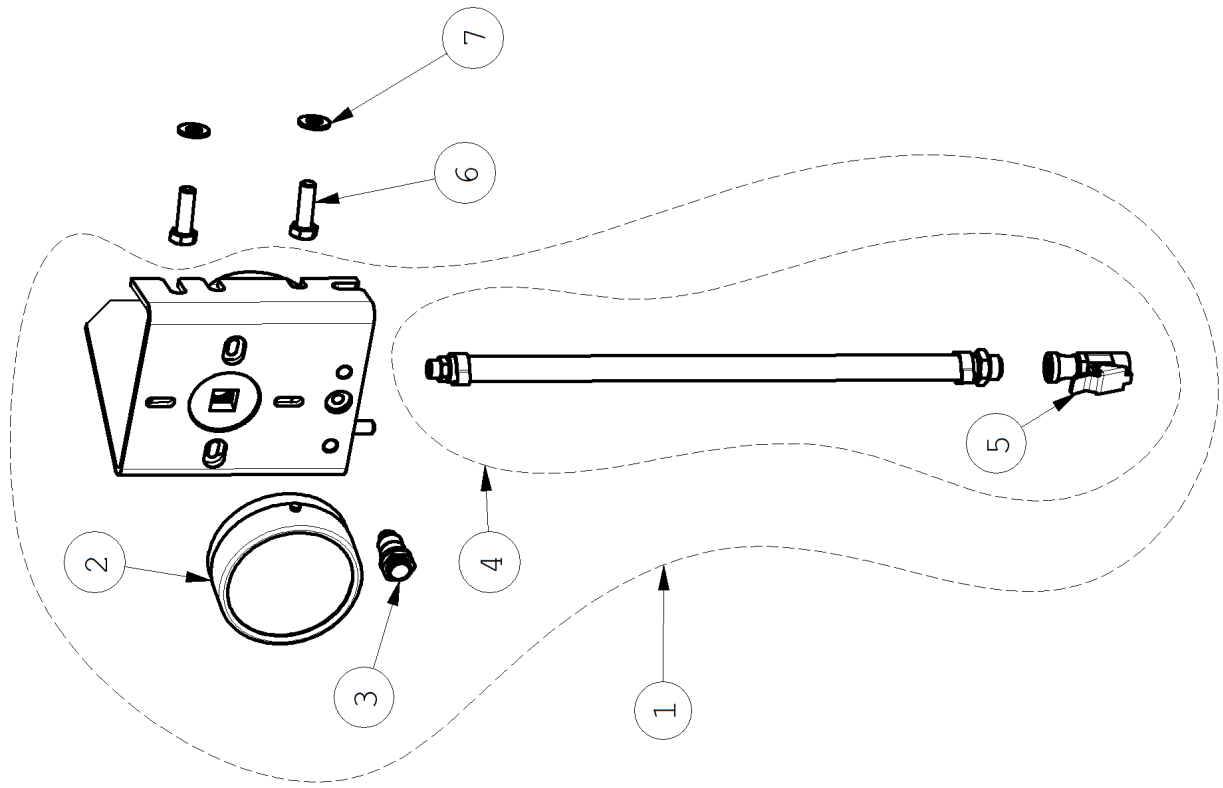
Pos	Code	Designation	Désignation	Designación	N.	Note	Nota	A	B	C
1	EAA0440G83A	4P CONTROL PEDAL WITH POTENTIOMETER	PEDALIER 4P AVEC POTENTIOMETRE	PEDALERA 4P CON POTENCIÓMETRO	1	POTENT.		X		
2	EAM0068G80A	PEDAL ASM SUPPORT - MACHINED	SUPPORT JEU PÉDALES - USINÉ	SOPORTE JUEGO DE PEDALES - MECANIZADO	1				X	
3	EAM0068G10A	SHAFT-HINGE, PEDAL	PIVOT PEDALES	EJE PEDALES	1				X	
4	EAM0048G79A	BUSHING, CENTERING- SPRING	COQUILLE SIEGE RESSORT	CASQUILLO CENTRADO MUELLE	2				X	
5	EAM0070G32A	COMMUTATOR SPRING GUIDE	GUIDE RESSORT INVERSEUR	GUÍ MUELLE INVERTIDOR	1				X	
6	EAM0075G56A	SPRING, PEDAL SWITCH 2SPEED	RESSORT INTERRUPTEUR PÉDALE 2SP	MUELLE PEDAL INTERRUPTOR 2SP	1			X		X
7	EAA0356G92A	RIGHT SWITCH FOOT PEDAL	PÉDALE INTERRUPTEUR DROIT	PEDAL INTERRUPTOR DER.	1				X	
8	EAA0356G94A	VALVE BEAD-BREAKER	VALVE DÉTALONNEUR	VÁLVULA DESTALONADOR	2			X		X
9	EAM0068G95A	STANDARD PEDAL - MACHINED	PEDAL STD.	PEDAL STD	3				X	
10	EAM0147G64A	SPRING RECALL PEDALS	RESSORT RETOUR PEDALES	MUELLE DE RETORNO PEDALES	3				X	
11	EAC0103G56A	CAM FOR PEDAL B	CAME PÉDALE ST.2072 B	LEVA PEDAL EST.2072 B	1				X	
12	EAS2115G09A	PROTECTION SHEET FOR CAM	TOLE PROTECTION CAME	CHAPA PROTECCIÓN EXCÉNTRICO	1				X	
13	EAS2111G73A	ROD POSITIONER PEDAL	BIELLE POSITIONNEMENT PÉDALE	BIELA DE POSICIONAMIENTO PEDAL	2			X		X
14	EAM0070G46A	SPACER L=11 mm	ENTRETOISE L=11 mm	DISTANCIADOR L=11 mm	2				X	
15	EAC0096G11A	SPACER-PEDAL	ENTRETOISE PÉDALES	DISTANCIADOR PEDALES	1				X	
16	EAA0356G96A	TURNTABLE/ TILTING VALVE	SOUPAPE POUR TUBES D.4X6	VÁLVULA PARA TUBOS D.4X6	1			X		X
17	EAA0364G09A	HOSES KIT FOOT PEDAL ASM 4P - STD	KIT TUBES PEDALIER 4P - STD	KIT TUBOS PEDAL 4P - STD	1			X		

A = available - disponible - disponible

B = on request - sur demande - a petición

C = suggested - suggéré - sugerido

Pos	Code	Designation	Désignation	Designaciòn	N.	Note	Nota	A	B	C
18	EAK0279G96A	CONTROL PEDALS MOUNTING KIT	KIT MONTAGE PEDALIER	KIT MONTAJE PEDALERA	1			X		
19	EAK0279G39A	NUTS/SCREWS FOR FOOT PEDAL ASM	KIT VIS JEU PÉDALES	KIT TORNILLOS JUEGO DE PEDALES	1			X		
20	EAS2132G66A	ROD PEDAL POTENTIOMETER	BIELLE POTENTIOMETRE	BIELA POTENCIÓMETRO	1				X	
21	EAK0330G64A	PEDAL CABLE WITH POTENTIOMETER	CABLE PEDALIER AVEC POTENTIOMETRE	CABLE PEDALERA CON POTENCIÓMETRO	1			X		
22	EAS2140G74A	END STROKE FOR PEDAL	FIN DE COURSE PEDAL	FINAL CARRERA PEDAL	1				X	
23	EAW0286G08A	CABLE FOR CTS POTENTIOMETER	CABLE POUR POTENTIOMETRE CTS	CABLE POTENCIÓMETRO CTS	1	NO CE		X		

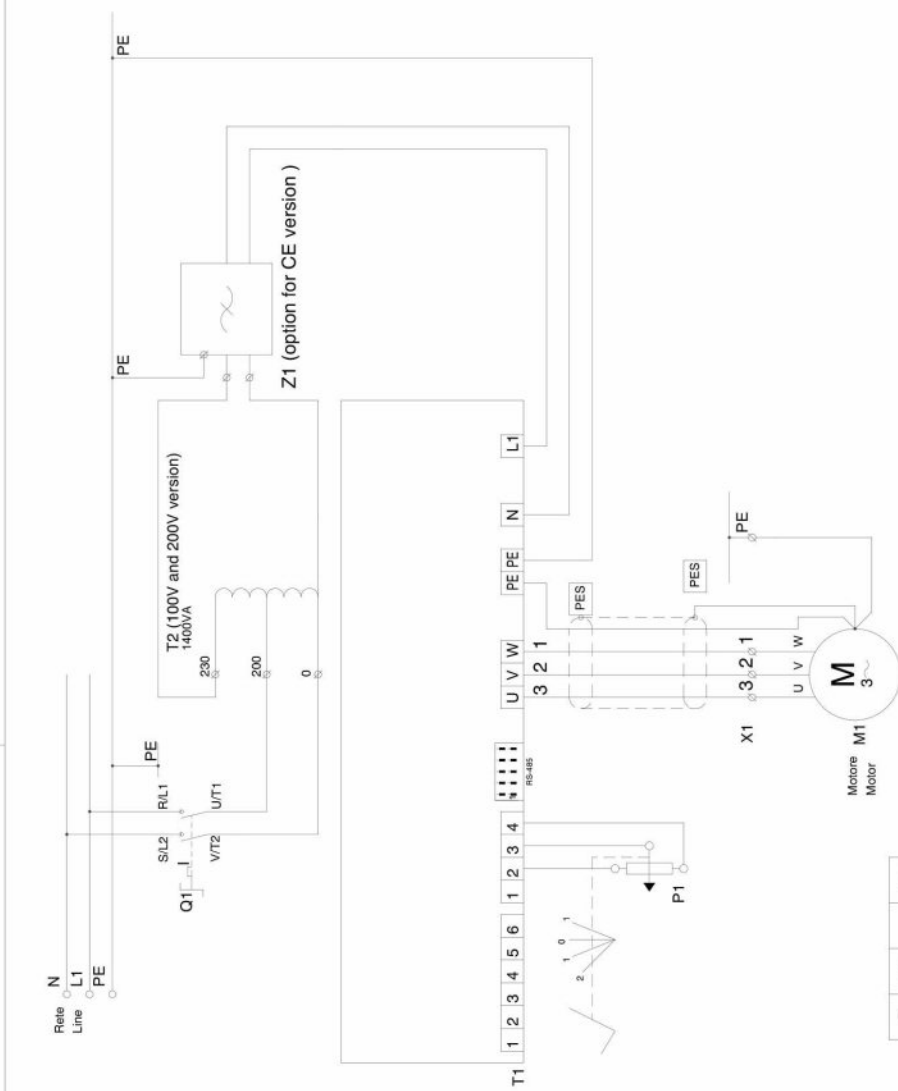


Pos	Code	Designation	Désignation	Designaciòn	N.	Note	Nota	A	B	C
1	EAA0502G31A	ASSY,GAUGE-PRESSURE PSI / Kpa D.80 - HD	GROUPE MANOMETRE PSI/Kpa D.80 - HD	GRUPO MANOMETRO PSI/Kpa D.80 - HD	1			X		
2	EAA0332G41A	PRESSURE GAUGE PSI / Kpa	MANOMETRE PSI/Kpa	MANÓMETRO PSI/Kpa	1	PSI / Kpa		X		
3	EAA0328G57A	BLEEDER VALVE	VALVE DEGONFLAGE	VALVULA DESENFADOR	1			X		
4	EAA0481G30A	HOSE INFLATION+CHUCK/FITTINGS	TUYAU PISTOLET AVEC RACCORDS	TUBO PISTOLETA INFLAJE+EMPALM	1			X		
5	1-28579A	INFLATING STRAIGHT CLIP CHUCK	PINCE GONFLAGE	ALICATE PARA INFLAJE	1	1/4"		X		
6	1-32701A1	SCREW M8X25	VIS H	TORNILLO TE	2	M8x25,ISO 4017		X		
7	1-17741	WASHER d.8	RONDELLE P.d.8 ZINC.JAUNE	ARANDELA P.D.8	2	DIN933 D8 DIN 125A		X		

8.9	1	TUBO FLESSIBILE	SCHLAUCH	TUYAU FLEXIBLE	FLEXIBLE HOSE	MANULI
8.8	1	VALVOLA A COMANDO PNEUMATICO	VENTIL MIT PNEUM. STEUERUNG	VANNE A COMMANDE PNEUMATIQUE	VALVE WITH PNEUMATIC DRIVE	KPM / AUTEL
8.7	1	TUBO FLESSIBILE	SCHLAUCH	TUYAU FLEXIBLE	FLEXIBLE HOSE	MAZZER
8.6	1	VALVOLA A 2 VIE	ZWEISEITIGE VENTIL	VANNE A 2 VOIES	TWOWAY VALVE	Snap-on
8.5	1	TUBO FLESSIBILE	SCHLAUCH	TUYAU FLEXIBLE	FLEXIBLE HOSE	MAZZER
8.4	1	MANOMETRO	MANOMETER	MANOMETRE	MANOMETER	AIREX
8.3	1	SERBATOIO	TANK	RESRVOIR	TANK	Snap-on / FABBRI
8.2	1	VALVOLA DI SICUREZZA	SICHERHEITSVENTIL	VANNE DE SICURETE	SAFETY VALVE	STIMA
8.1	1	TUBO FLESSIBILE	SCHLAUCH	TUYAU FLEXIBLE	FLEXIBLE HOSE	MAZZER
7.8	1	TUBO FLESSIBILE	SCHLAUCH	TUYAU FLEXIBLE	FLEXIBLE HOSE	MANULI
7.7	1	VALVOLA A 2 VIE	ZWEISEITIGE VENTIL	VANNE A 2 VOIES	TWOWAY VALVE	Snap-on
7.6	1	MANOMETRO	MANOMETER	MANOMETRE	MANOMETER	WIKA
7.5	1	TUBO FLESSIBILE	SCHLAUCH	TUYAU FLEXIBLE	FLEXIBLE HOSE	MAZZER
7.4	1	AIR CONTROL	AIR CONTROL	AIR CONTROL	AIR CONTROL	Snap-on
7.3	1	TUBO FLESSIBILE	SCHLAUCH	TUYAU FLEXIBLE	FLEXIBLE HOSE	MAZZER
7.2	1	VALVOLA A 4 VIE	VIERSEITIGE VENTIL	VANNE A 4 VOIES	FOURWAY VALVE	Snap-on
7.1	1	TUBO FLESSIBILE	SCHLAUCH	TUYAU FLEXIBLE	FLEXIBLE HOSE	MAZZER
6.6	1	CILINDRO A SEMPLICE EFFETTO	EINFACH WIRKENDE ZYLINDER	VERIN A SIMPLE EFFET	SINGLE EFFECT CYLINDER	Snap-on
6.5	1	CILINDRO A SEMPLICE EFFETTO	EINFACH WIRKENDE ZYLINDER	VERIN A SIMPLE EFFET	SINGLE EFFECT CYLINDER	Snap-on
6.4	1	TUBO FLESSIBILE	SCHLAUCH	TUYAU FLEXIBLE	FLEXIBLE HOSE	MAZZER
6.3	1	TUBO FLESSIBILE	SCHLAUCH	TUYAU FLEXIBLE	FLEXIBLE HOSE	MAZZER
6.2	1	SILENZIATORE	SILENCER	SILENCIEUX	SCHALLDAMPFER	GENERAL CONTROL
6.1	1	VALVOLA DI SCARICO RAPIDO	RAPID EXHAUST VALVE	SOUPAPE D'ECHAPPEMENT RAPIDE	SCHNELLENTLUFTUNGS VENTIL	CAMOZZI
5.8	1	CILINDRO A SEMPLICE EFFETTO	EINFACH WIRKENDE ZYLINDER	VERIN A SIMPLE EFFET	SINGLE EFFECT CYLINDER	Snap-on
5.7	1	TUBO FLESSIBILE	SCHLAUCH	TUYAU FLEXIBLE	FLEXIBLE HOSE	MAZZER
5.6	1	VALVOLA A 5 VIE	FUNFSEITIGE VENTIL	VANNE A 5 VOIES	FIVEWAY VALVE	Snap-on
5.5	1	TUBO FLESSIBILE	SCHLAUCH	TUYAU FLEXIBLE	FLEXIBLE HOSE	MAZZER
5.4	1	VALVOLA REGOLATRICE DI PORTATA	GESCHALTETES STROMREGELVENTIL	REGULATEUR DE DEBIT	FLOW CONTROL VALVE	CAMOZZI
5.3	1	TUBO FLESSIBILE	SCHLAUCH	TUYAU FLEXIBLE	FLEXIBLE HOSE	MAZZER
5.2	1	RIDUTTORE	REDUKTOR	REDUCTEUR	REDUCER	STAMPOTECNICA
5.1	1	TUBO FLESSIBILE	SCHLAUCH	TUYAU FLEXIBLE	FLEXIBLE HOSE	MAZZER
4.5	1	CILINDRO A DOPPIO EFFETTO	DOPPELTWIRKENDER ZYLINDER	VERIN A DOUBLE EFFET	DOUBLE EFFECT CYLINDER	Snap-on
4.4	1	TUBO FLESSIBILE	SCHLAUCH	TUYAU FLEXIBLE	FLEXIBLE HOSE	MAZZER
4.3	1	TUBO FLESSIBILE	SCHLAUCH	TUYAU FLEXIBLE	FLEXIBLE HOSE	MAZZER
4.2	1	VALVOLA A 5 VIE	FUNFSEITIGE VENTIL	VANNE A 5 VOIES	FIVEWAY VALVE	Snap-on
4.1	1	TUBO FLESSIBILE	SCHLAUCH	TUYAU FLEXIBLE	FLEXIBLE HOSE	MAZZER
3.10	1	CILINDRO A DOPPIO EFFETTO	DOPPELTWIRKENDER ZYLINDER	VERIN A DOUBLE EFFET	DOUBLE EFFECT CYLINDER	Snap-on
3.9	1	CILINDRO A DOPPIO EFFETTO	DOPPELTWIRKENDER ZYLINDER	VERIN A DOUBLE EFFET	DOUBLE EFFECT CYLINDER	Snap-on
3.8	1	TUBO FLESSIBILE	SCHLAUCH	TUYAU FLEXIBLE	FLEXIBLE HOSE	MAZZER
3.7	1	TUBO FLESSIBILE	SCHLAUCH	TUYAU FLEXIBLE	FLEXIBLE HOSE	MAZZER
3.6	1	TUBO FLESSIBILE	SCHLAUCH	TUYAU FLEXIBLE	FLEXIBLE HOSE	MAZZER
3.5	1	TUBO FLESSIBILE	SCHLAUCH	TUYAU FLEXIBLE	FLEXIBLE HOSE	MAZZER
3.4	1	TUBO FLESSIBILE	SCHLAUCH	TUYAU FLEXIBLE	FLEXIBLE HOSE	MAZZER
3.3	1	TUBO FLESSIBILE	SCHLAUCH	TUYAU FLEXIBLE	FLEXIBLE HOSE	MAZZER
3.2	1	VALVOLA A 5 VIE	FUNFSEITIGE VENTIL	VANNE A 5 VOIES	FIVEWAY VALVE	Snap-on
3.1	1	TUBO FLESSIBILE	SCHLAUCH	TUYAU FLEXIBLE	FLEXIBLE HOSE	
2.5	1	CILINDRO A DOPPIO EFFETTO	DOPPELTWIRKENDER ZYLINDER	VERIN A DOUBLE EFFET	DOUBLE EFFECT CYLINDER	Snap-on
2.4	1	TUBO FLESSIBILE	SCHLAUCH	TUYAU FLEXIBLE	FLEXIBLE HOSE	MAZZER
2.3	1	TUBO FLESSIBILE	SCHLAUCH	TUYAU FLEXIBLE	FLEXIBLE HOSE	MAZZER
2.2	1	VALVOLA A 5 VIE	FUNFSEITIGE VENTIL	VANNE A 5 VOIES	FIVEWAY VALVE	Snap-on
2.1	1	TUBO FLESSIBILE	SCHLAUCH	TUYAU FLEXIBLE	FLEXIBLE HOSE	MAZZER
1.5	1	CILINDRO A DOPPIO EFFETTO	DOPPELTWIRKENDER ZYLINDER	VERIN A DOUBLE EFFET	DOUBLE EFFECT CYLINDER	Snap-on
1.4	1	TUBO FLESSIBILE	SCHLAUCH	TUYAU FLEXIBLE	FLEXIBLE HOSE	MAZZER
1.3	1	TUBO FLESSIBILE	SCHLAUCH	TUYAU FLEXIBLE	FLEXIBLE HOSE	MAZZER
1.2	1	VALVOLA A 5 VIE	FUNFSEITIGE VENTIL	VANNE A 5 VOIES	FIVEWAY VALVE	STAMPOTECNICA
1.1	1	TUBO FLESSIBILE	SCHLAUCH	TUYAU FLEXIBLE	FLEXIBLE HOSE	MAZZER
0.4	1	RIDUTTORE + VALVOLA DI SICUREZZA	REDUKTOR + SICHERHEITSVENTIL	REDUCTEUR + SOUPAPE DE SICURETE	REDUCER + SAFETY VALVE	STAMPOTECNICA
0.3	1	MANOMETRO	MANOMETER	MANOMETRE	MANOMETER	AIREX
0.2	1	LUBRIFICATORE	SCHMIERVORRICHTUNG	LUBRIFIANT	LUBRIFICATOR	STAMPOTECNICA
0.1	1	FILTRO + RIDUTTORE	FILTER + REDUKTOR	FILTRE + REDUCTEUR	FILTER + REDUCER	STAMPOTECNICA
N.	Q.TA' Stuck Q.TE' Q.TY	DENOMINAZIONE	BENENNUNG	DESCRIPTION	DESCRIPTION	PRODUTTORE HERSTELLER PRODUCEUR PRODUCER

		PROJ NO. -	SCALE NO	Snap-on Correggio (RE) - ITALY		
		DR MARIANI			Release	REV A
		DATE 2010/03/03		PNEUMATIC DIAGRAM FOR TILT T/CHANGER	TEEWH01T	
A	10G0060	QUALITY DOC -			SHEET 2 OF 2	
REV	PCN HISTORY	SUPERCEDES -				

REV	CHANGES - MODIFICHE	DATE	NAME
B	Added motor wires numbers	2013.02.12	N.Castagnoli
A	Production release	2013.01.07	N.Castagnoli



DENOMINAZIONE: **SCHEMA ELETTRICO** FAMIGLIA: **824** COD. GS: **EEWH708CWD**
 THE DATA, DRAWINGS, AND INFORMATION CONTAINED IN THIS DOCUMENT IS CONFIDENTIAL AND THE SOLE PROPERTY OF SNAP-ON. AND MAY NOT BE REPRODUCED, USED, OR DISCLOSED WITHOUT WRITTEN PERMISSION OF AN OFFICER OF SNAP-ON.
 UNLESS OTHERWISE SPECIFIED, DIMENSIONS ARE IN MILLIMETERS

CORREGGIO, ITALY	
ELECTRIC DIAGRAM	
FINISH	TC 22
PROJ NO	DR N. Castagnoli 2013.01.07
CK	A3 APP
QUALITY DOC	RELEASE REV B
SUPERCEDES	EEWH708CWD
SHEET 1 OF 1	

(M)	(M)	(M)	(M)
2	1	0	1

Potentiometer table
 Tabella potenziometro

- Motore
- Interruttore principale
- Potenziometro
- Inverter
- Autotrasformatore
- Morsetiera motore
- Filtro antisturbo

- M1 Motore
- Q1 Main switch
- P1 Potentiometer
- T1 Inverter
- T2 Transformer
- X1 Motor terminal block
- Z1 Suppressor

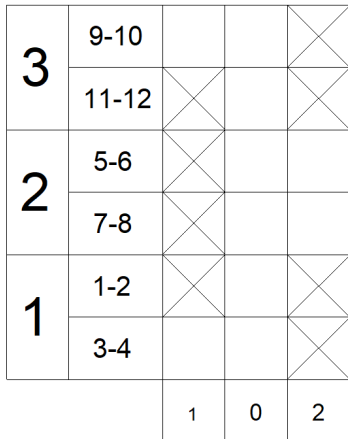
B	13G0060	REV / PCN HISTORY
A	13G0010	

THE DATA, DRAWINGS, AND INFORMATION CONTAINED IN THIS DOCUMENT IS CONFIDENTIAL AND THE SOLE PROPERTY OF SNAP-ON, AND MAY NOT BE REPRODUCED, USED, OR DISCLOSED WITHOUT WRITTEN PERMISSION OF AN OFFICER OF SNAP-ON.

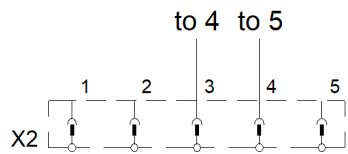
COPYRIGHT
1999

EEWH306AWD
SHEET 1 OF 1

REV	CHANGES - MODIFICHE	DATE	NAME
E	Fixed motor wiring connections	2017.10.18	N. Castagnoli
D	Fixed switch connections	2012.03.30	N. Castagnoli
C	Added M.L. connector	2011.06.07	N. Castagnoli
B	Added Leeson diagram	2001-03-12	A. Pratzzoli

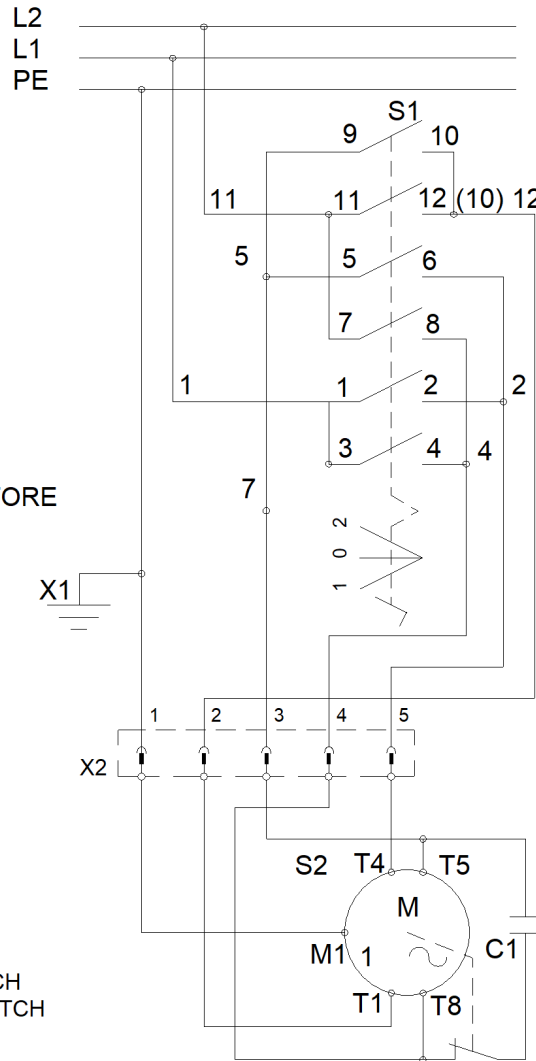


SCHEMA COLLEGAMENTO INVERTITORE
INVERTER CONNECTION DIAGRAM




SCHEMA PEDALIERA SINISTRA
LEFT PEDALSWITCH DIAGRAM

- C1 CONDENSATORE CAPACITOR
- S2 INT. CENTRIFUGO SPINNING SWITCH
- S1 INVERTITORE REVERSING SWITCH
- M1 MOTORE MOTOR
- X1 CARCASSA FRAME
- X2 CONNETTORE CONNECTOR



LEESON

DENOMINAZIONE: SCHEMA ELETTRICO MOTORE MONOFASE AMERICANO FAMIGLIA: 824 COD. GS: 0014449

	UNLESS OTHERWISE SPECIFIED DIMENSIONS ARE IN MILLIMETERS GENERAL TOLERANCES OVER 0.5 TO 6.0 ± 0.1 OVER 6.0 TO 30 ± 0.2 OVER 30 TO 120 ± 0.3 OVER 120 TO UP ± 0.5 ANGULAR ± 1° HOLES ± 0.1 SHEET METAL ± 0.5 SURFACE: ISO 1302	MATERIAL	 CORREGGIO, ITALY	
E	17G0415	FINISH		
D	12G0130	PROJ NO 3400	ONE PHASE AMERICAN MOTOR ELECTRIC DIAGRAM	
C	11G0146	DR FUSARI 1999-05-13		
B		CK	RELEASE	REV E
A		A4 APP	EEWH306AWD SHEET 1 OF 1	
REV	PCN HISTORY	DWG		
	FIRST ANGLE PROJECTION		SUPERCEDES	

Notice: The information contained in this document is subject to change without notice. **Snap-on Equipment** makes no warranty with regard to present documentation. **Snap-on Equipment** shall not be liable for errors contained herein or for incidental consequential damages in connection with furnishings, performance, or use of this material.

This document contains proprietary information which is protected by copyright and patents. All rights are reserved. No part of this document may be photocopied, reproduced, or translated without prior written consent of Snapon Equipment.

- Manufacturing Facilities -
 - **Snap-on Equipment Srl** · Via Per Carpi 33 - 42015 Correggio RE - Italy ·
 - **Snap-on Equipment** · 309 Exchange Avenue Conway, Arkansas 72032 ·
- Technical alterations reserved - Refer to the data plates for effective manufacturing location -