

JohnBean®

EHP SYSTEM IV

PARTS MANUAL

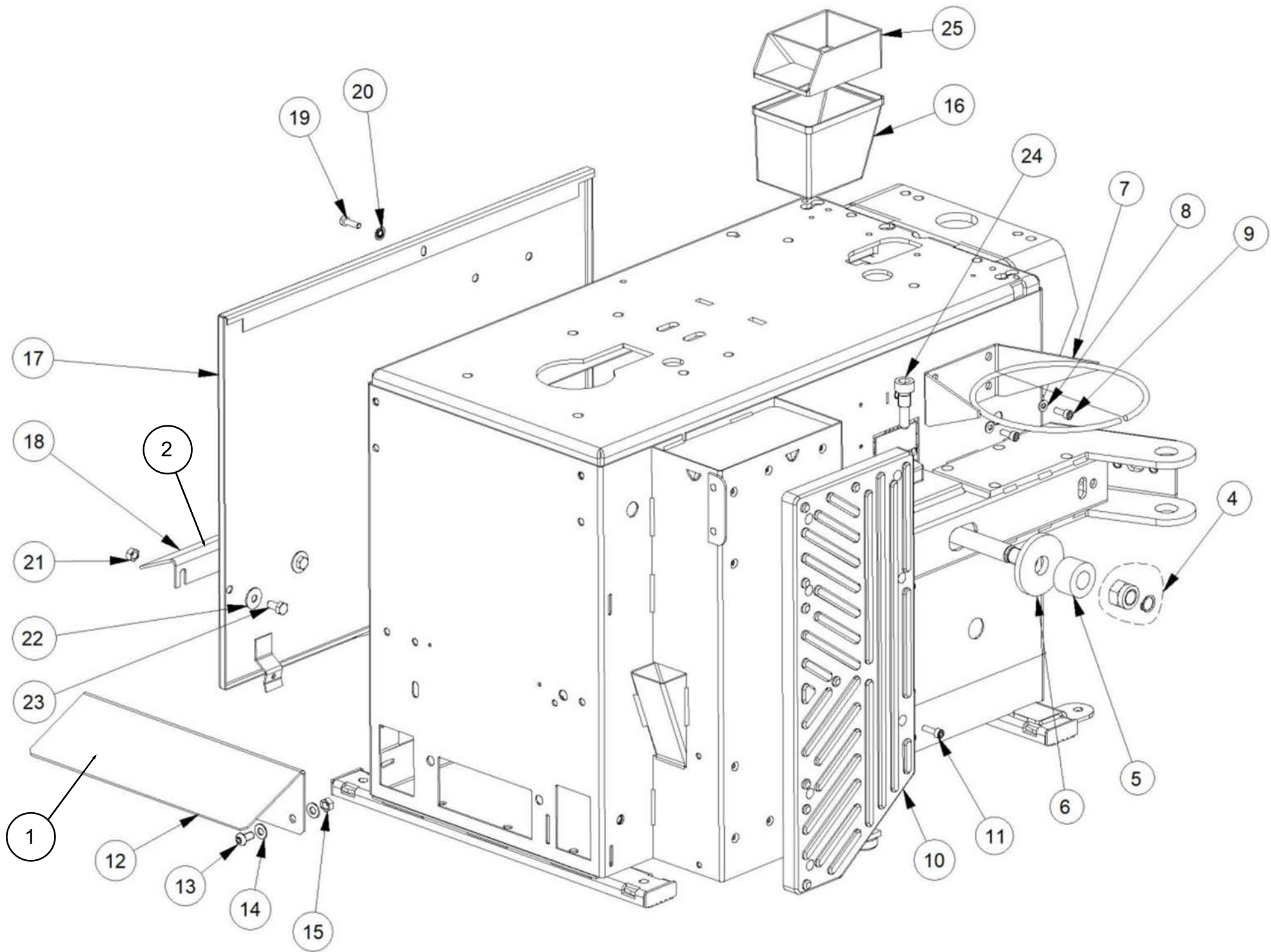


EEWH514BE

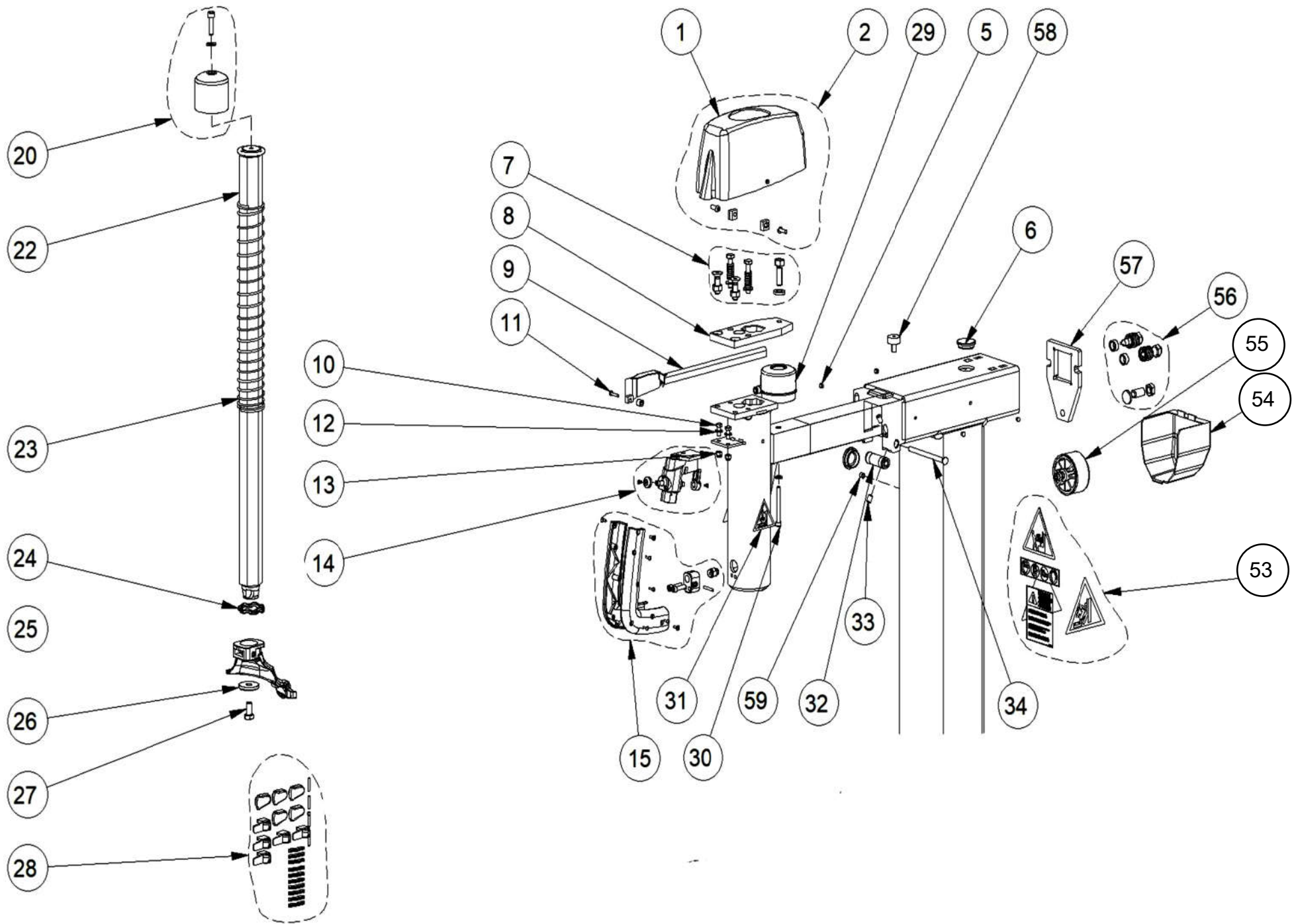
Tilt-Tower Tire Changer

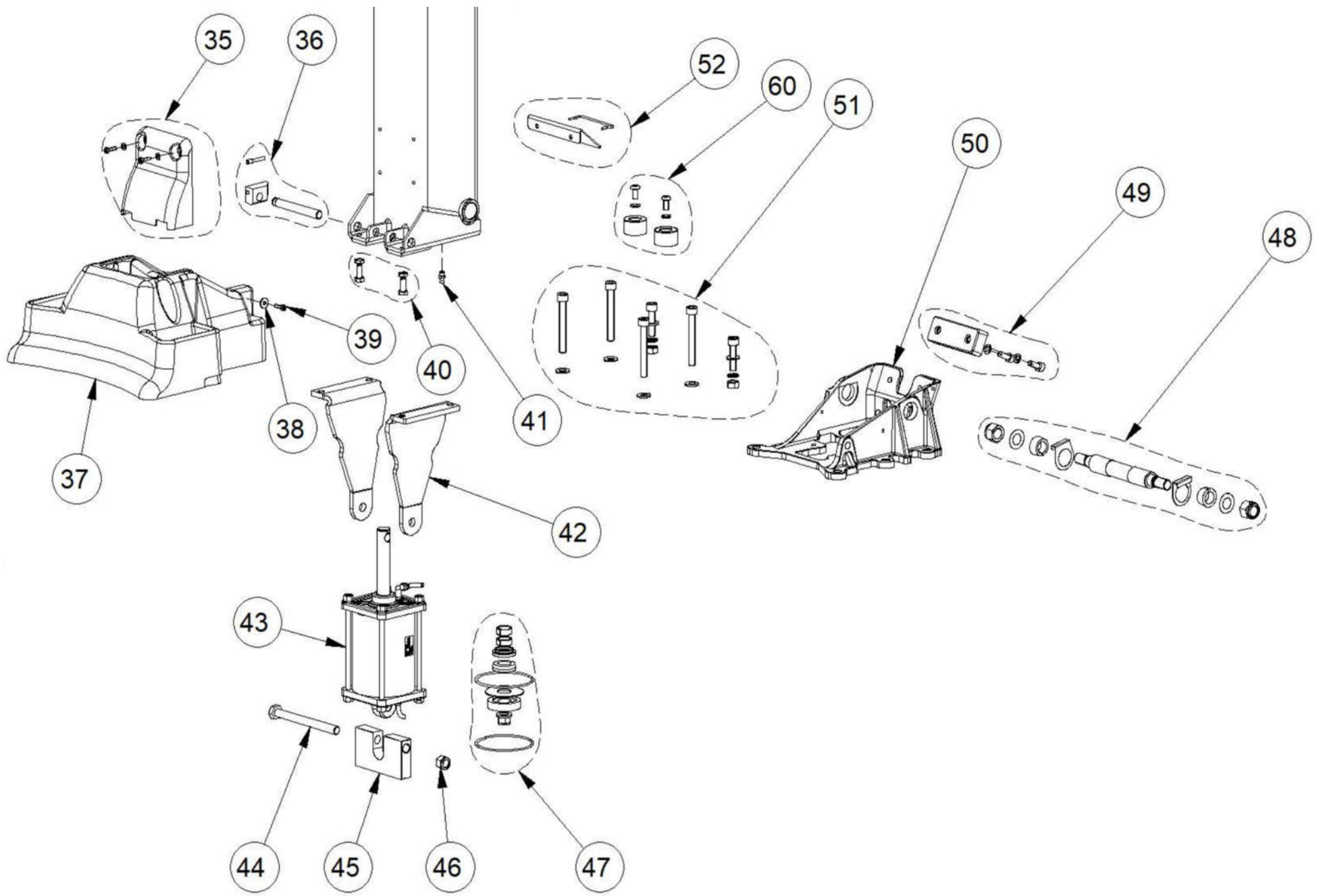
PART NUMBER	DESCRIPTION
EAL0467G92A	DECAL TC LEVER WARNING
ZEEWH514B9	LIT PACK-EEWH514B
EAL0408G12A	LABEL PATENTS (33772)
EAL0413G31A	LABEL GROUND 8453
EAL0408G24A	LABEL OIL (10724)
EAL0383G34A	LABEL DANGER (16524)
EAL0408G43A	LABEL DANGER (B) 17691
EAL0408G45A	LABEL ROTATION DIRECTION 22187
EAL0408G21A	LABEL DRAIN (22188)
EAL0413G34A	LABEL INFLATOR 22669
22671	LABEL PEDALS
EAL0343J76B	SERIAL LABEL DOCUMENT
24212	PLACARD DANGER TC ENG SPANISH
EAL0415J38A	DECAL-JOHN BEAN CHROME
27013	LABEL FRONT EHP 4 EAL0467G62A
27017	LABEL EHP SYS 4 EAL0467G63A
22186	PLATE SERVICE
EAL0349G93A	LABEL-RAEE - 31542
EAL0408G25A	LABEL PRESSURE MIN MAX 16352
EAC0103G11A	PEDAL SPACER
EAL0462G12A	LABEL DANGER PELIGRO 23179
EAL0413G17A	LABEL DANGER 17692
EAL0408G42A	LABEL DANGER 17694
EAL0383G30A	LABEL (B) - 19868
22185	LABEL-INLET PRESSURE

PART NUMBER	DESCRIPTION
22843	DECAL
EAL0383G36A	LABEL 17273
EAL0383G31A	LABEL DANGER 14513
EAL0413G36A	LABEL WARNING 29380
EAL0408G78A	LABLE PROTECTIVE DEVICE
EAC0097G47A	WAVE TIRE MOUNTING LEVER
EAC0078G13A	BACK PLSTC RIM PROTECTOR-30580
EAC0113G61A	RIM PROTECTOR PLASTIC
EAM0043G53A	PIN M5 HEXAGONAL SKT- 30950
EAK0329G86A	LGHTALLOY RIM PROTE FRONT ONLY
1-36109A2	SCREW BH CAP M5 X 10 91239A224
8-03229A	LUBRICANT-TIRE MOUNTING 75N
5-14126A	BRUSH TIRE LUBE APPLICATOR
EAA0329G34B	BEAD ASSIST DEVICE (OPTIONAL)



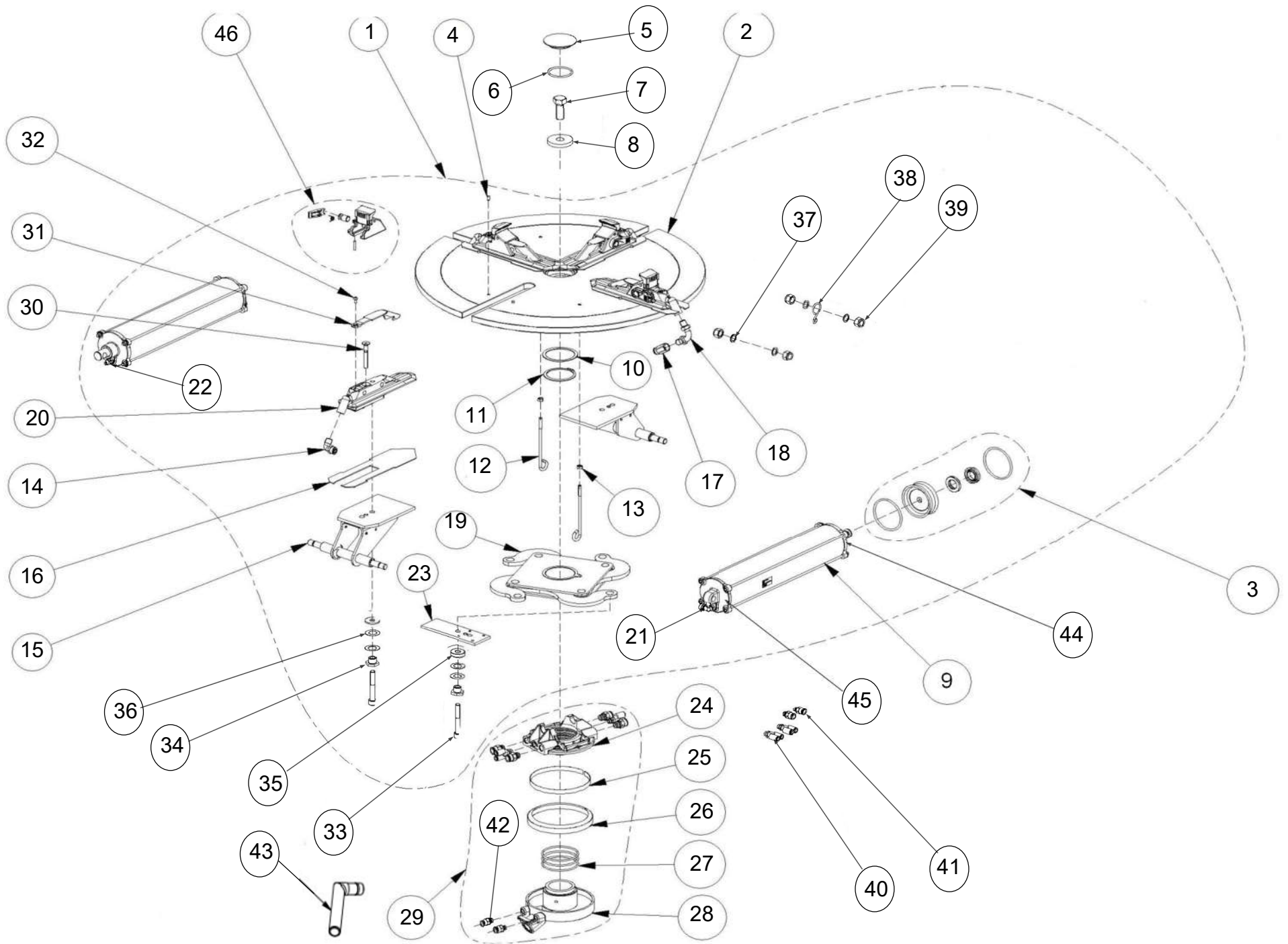
REF	QTY	PART NUMBER	DESCRIPTION
1	1	22671	LABEL PEDALS
2	1	EAL0413G34A	LABEL INFLATOR 22669
4	1	1-20933A	NUT (LOCK) M18X1.5 DIN 982
	1	1-3977	D.16 SEEGER UNI 7435
5	1	EAC0097G51A	WASHER SHOCK ABSORBER
6	1	EAM0067G33A	WASHER SUPPORT BEAD BREAKER
7	1	EAA0349G76A	RING - BOX . GREASE
8	2	1-9841	WASHER-6MM
9	2	1-16309	SCREW - SHCS M6 X 16MM
10	1	EAC0099G22A	BEAD BREAKER SUPPORT PAD
11	7	1-19409	SCREW TCEI 6 X 20 8G
12	1	EAS2169G75AC	PEDAL PROTECTION RAL3000
13	2	1-9902A	M8-1.25X16MM BHSC ZP
14	4	1-10041	WASHER, PLAIN M8
15	2	1-11733A	NUT-HEX M8 BLK
16	1	8-03129A	BOX GREASE
17	1	EAS2029J62A	SIDE PANEL-TIRE CHANGER BLK
18	1	EAS2115G83A	PROTECTOR PEDAL 11227
19	1	1-30901A2	SCREW TE 6X20 8G
20	1	1-1548	WASHER-LOCK D.6
21	2	1-11733	NUT M8
22	2	1-17841	WASHER - D. 8X24
22	2	1-32501A	SCREW 8X16 8G
24	2	EAM0067G34A	SCREW . FITTING- CYLINDER B / BREAK ZINC
25	1	1-31581A	PLUG-VALVE, HOUSING





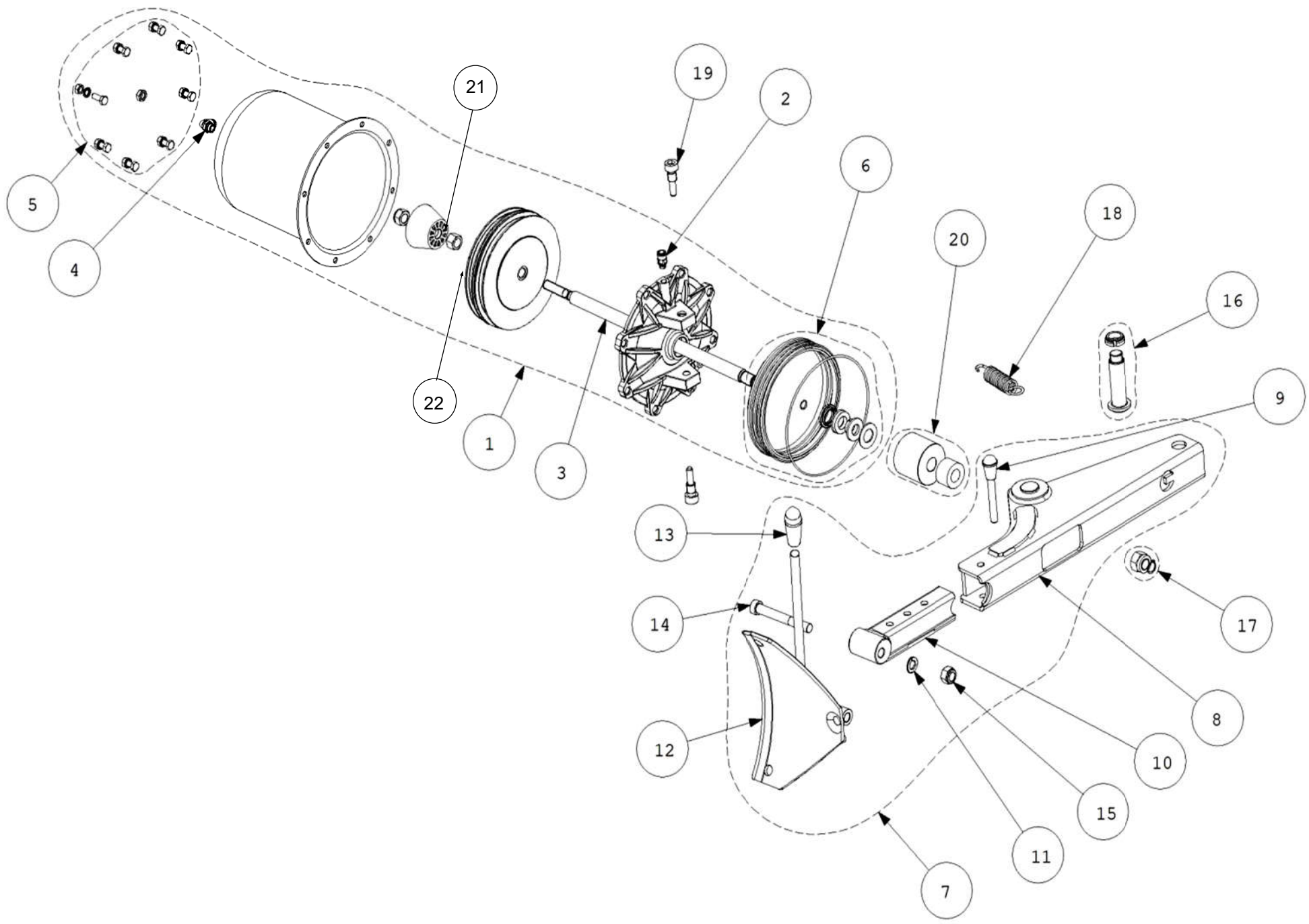
REF	QTY	PART NUMBER	DESCRIPTION
1	1	EAC0102G54A	PROTECTION-UPPER, TOWER
2	1	EAK0306G40A	UPPER COLUMN CARTER KIT
5	4	EAC0099G76A	D.5 CAP FOR SIDE PANEL
6	2	EAC0097G57A	PLUG-SCREW,RETAINING
7	1	EAK0306G39A	SCREWS FOR UPPER LOCKING LEVER
8	1	EAM0074G94A	LEVER, PLATE-UPPER
9	1	EAC0099G86A	CARTER, HOSES PROTECTION
10	2	1-14701A	SCREW HEX HEAD MACHINE 6X16 8G
11	1	1-17203A	SCREW TSEI 4X16 10.9
12	3	1-13241	WASHER,FLAT, d.6
13	2	1-01637A	NUT-S.LOCK,HIGH - M6 5S
14	1	EAA0338G09A	VALVE,LIFT CONTROL
15	1	EAK0316G10A	KIT HANDLE TILTING TOWER
20	1	EAK0306G47A	PROTECTION KIT FOR SPRING
22	1	20965	ROD- VERTICAL
23	1	25457	SPRING,RECALL-TOWER, VERTICAL
24	1	EAC0094G01A	SHOCK ABSORBER- ROD
25	1	EAA0329G95A	MOUNTING/DEMOUNTING TOOL
26	1	EAM0032G02A	WASHER- TOOL CLAMPING
27	1	1-34301A	SCREW HEX 10X20 8G
28	1	EAA0372G24A	PROTECTIONS FOR MOUNTING TOOLS
29	1	EAA0344G32A	VERTICAL LOCKING CYLINDER
30	1	1-17209	SCREW TCEI 6X60 8G
31	2	EAL0408G42A	STICKER DANGER
32	1	EAM0082G43A	ROLLER, ARM SLIDING
33	4	1-55101A	SCREW M8X1X12 BURNISHED UNI 5923
34	1	EAM0082G44A	KICKOFF

REF	QTY	PART NUMBER	DESCRIPTION
35	1	EAK0306G83A	FRONT COLUMN PROTECTION KIT
36	1	EAK0306G50A	Ø12 FULCRUM KIT
37	1	EAC0103G39A	BASE COLUMN PLASTIC COVER
37	1	EAM0180G26A	MACHINED BASE COVER
38	4	1-19041A	WASHER 5X16X1
39	4	1-24223A	SCREW- SELFTHREAD. 10EX16 TE
40	1	EAK0306G49A	COLUMN END STROKE KIT
41	1	1-18084A	GREASER-NIPPLE M8x1,25
42	2	EAS2111G04A	BRACKET FOR TILTING TOWER, WHITE ZINC
43	1	EAA0356G14A	CYLINDER TILTING TOWER
44	1	1-21501	SCREW TE 12X140 8G
45	1	EAM0069G66A	SPACER FOR CYLINDER
46	1	1-19933A	NUT - LOCK - M12 DIN985
47	1	EAA0356G43A	SEALS,KIT FOR TILTING-TOWER CYLINDER D KIT
48	1	EAK0306G02A	TILTING TOWER CONNECTING KIT
49	1	EAK0306G35A	CLAMP OVERTURNING KIT
50	1	EAM0080G77A	TOWER SUPPORT MACHINED
51	1	EAK0306G37A	SCREWS+BOLTS FOR COLUMN SUPPORT
52	1	EAK0306G51A	REAR COLUMN PROTECTION KIT
53	2	EAK0306G38A	LABEL KIT FOR COLUMN
54	1	EAC0102G53A	PROTECTION, CYLINDER
55	1	EAA0344G48A	CYLINDER - ROD,HORIZONTAL-LOCK
56	1	EAK0306G48A	SCREWS FOR REAR LOCKING LEVER
57	1	EAM0074G95A	LEVER, LOCKING
58	1	EAC0094G00A	ARM RETAINING SCREW
59	2	1-47810	SCREW M8X8
60	1	EAK0306G36A	SHOCK ABSORBER KIT FOR COLUMN



REF	PART NUMBER	DESCRIPTION
1	EAA0409G85A	TURNTABLE 24' CENTER TYPE GT
2	EAS2153G40A	TURNTABLE CENTER TABLE
3	EAK0317G36A	CYLINDER SEAL KIT
4	1-25952A	PIN DOWEL 5mmx10mm
5	EAC0087G47A	TURNTABLE PROTECTOR
6	8-11714A	ORING 46.04.3.53
7	1-51101A	SCREW 16 X 1.5X 40 8G BR
8	EAS2092G32A	WASHER
9	EAA0410G31A	SELF CENTERING CYLINDER
10	1-18677A	SEEGER UNI 7435 ROD ø60
11	EAM0051G85A	SUPPORT WASHER
12	EAM0051G90A	SUPPORT FOR PIPE BS
13	1-11633A	NUT - HEX . M6 6 S
14	1-14379A	CONNECTION L 1/4" 8x10
15	EAA0377G79A	BRACKET CYLINDERS
16	EAM0051G00A	GUIDE TERMINALS CENTRE CONVERG
17	1-27379A	F.STRAIGHT FITTING 8x10 1/4"
18	EAM0051G83A	PIPE FOR BS CLAMP
19	EAA0351G73A	CLAMP ACTIONING PLATE
20	EAM0075G00A	CLAMP, SLIDING W/CENTRE 24" GT MACHINED
21	1-18879A	FITTING - L 4x6 1/8"
22	1-27179A	STRAIGHT FITTING 4x6 1/8"
23	EAM0043G49A	PLATE REGISTER CLAMP
24	EAA0338G76A	COLLECTOR EXTERNAL RING
25	EAA0338G77A	GASKET SEAL SPRING
26	EAC0087G50A	FRONT GASKET BS
27	8-10814A	ORING ø69.44x3.53

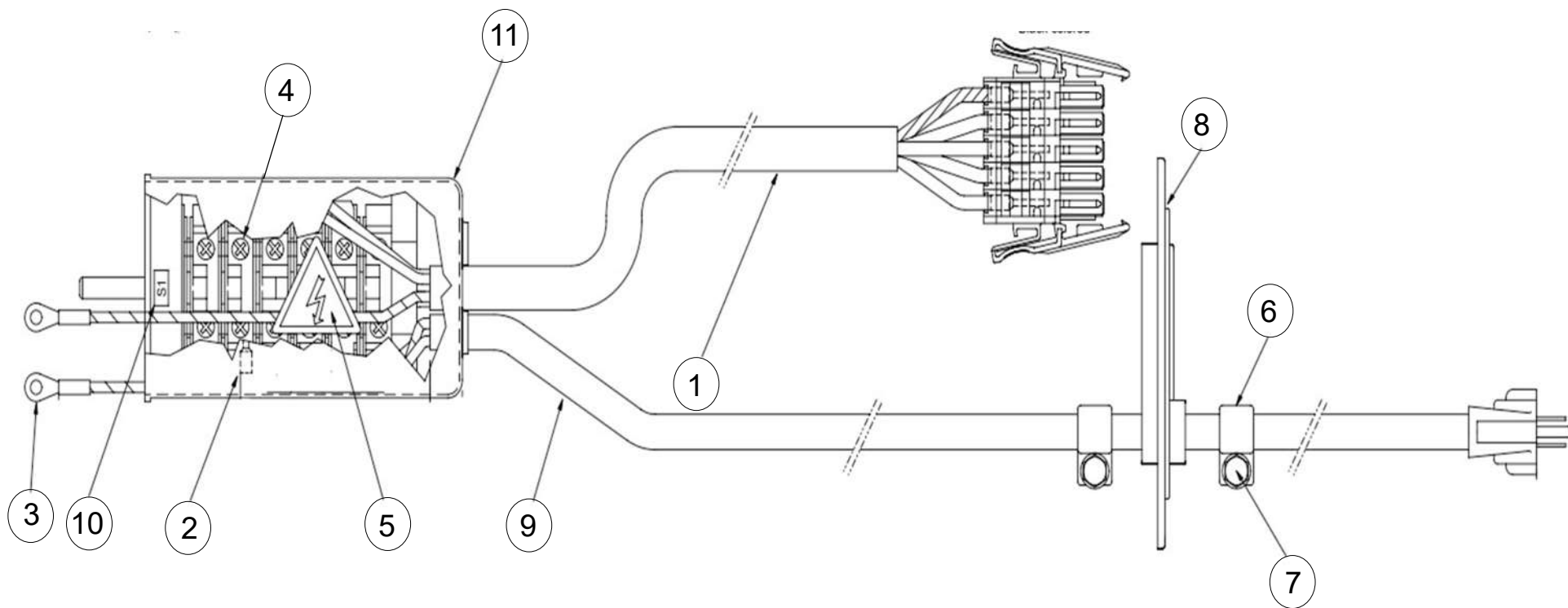
REF	PART NUMBER	DESCRIPTION
28	EAA0338G27A	INNER COLL. WITH SCREW
29	EAA0304G69A	REVOLVING MANIFOLD GT
30	1-24603A	SCREW M8x60 CLASSE 12.9 UNI 5933-6
31	EAC0099G90A	PROTECTION JAWS NEW ST. 1901
32	1-36109A2	SCREW TBEI 5X10 8G
33	1-54409A	SCREW, 10X50 12.9 BLK UNI 5931
34	EAM0043G19A	ECCENTRIC FOR SLIDING ROD
35	EAM0051G75A	SLIDING ROD SPACER
36	EAM0051G74A	WASHER 30x17x0.3
37	1-24641A	WASHER \varnothing 12,2x18x1 DIN 988
38	EAM0051G88A	AIR PIPE HOOK
39	1-19933A	NUT M12
40	1-13579A	FITTING "Y" 4x6 1/8"
41	1-14679A	RAPID CONNECTOR 1/4" \varnothing 10
42	1-11379A	FITTING 4x6 1/8"
43	EAS2138G25A	RUBBER HOSE CONNECTION
44	ST0019653	FRONT CYLINDER FLANGE
45	ST0019652	REAR CYLINDER FLANGE
46	EAA0408G23A	ASSEMBLED SLIDING JAW C/TYPE V2
N/S	EAM0154G76A	spring protection air-hos
N/S	ST0026904	PIPE,SPIRAL *BLK 6,5X10X2,5IN L
N/S	5-06435A	4mm x 6mm HOSE BTF
N/S	ST2618004	6mm x 8mm HOSE BTF
N/S	ST2618002	8mm X 10mm HOSE BTF



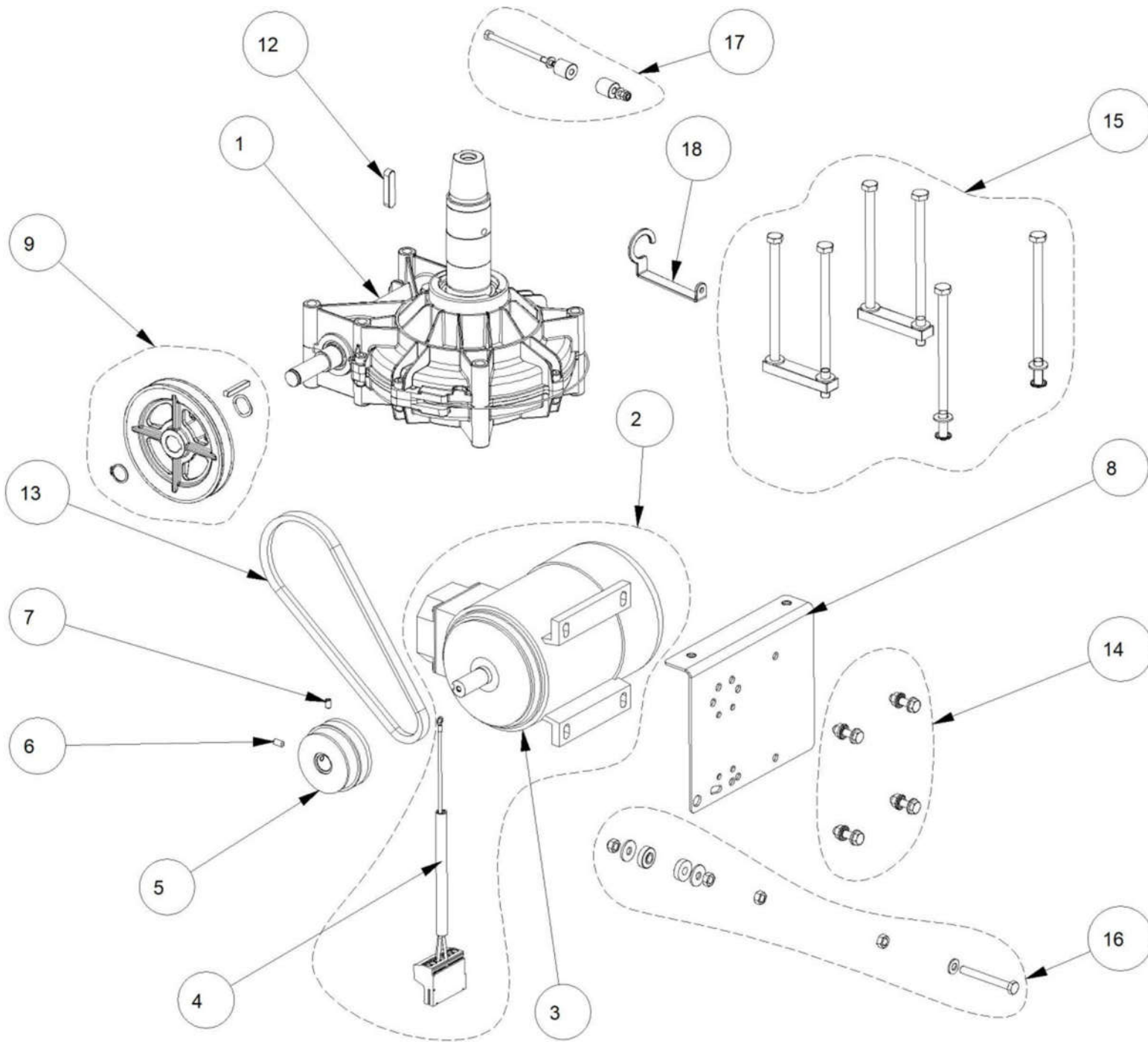
REF	QTY	PART NUMBER	DESCRIPTION
1	1	EAA0329G49A	CYLINDER BEAD BRKER -4028966
2	1	1-11379A	FITTING 4X6 1/8"
3	1	EAM0048G07A	ROD BEAD-BREAKER CYLINDER
4	1	1-11379A	FITTING 4X6 1/8"
5	8	1-32601	SCREW HEX HEAD MACHINE 8X20
5	8	1-1748	WASHER SHAKEPROOF D8
5	8	1-11733	NUT M8 6S STAND WHITE ZINC
6	1	EAK0306G19A	SEALS FOR BEAD BREAKER CYL
7	1	EAA0338G44A	3 POSITIONS BEAD BREAKER ARM
8	1	EAS2108G27A	ARM SUPPORT BEAD-BREAKER
9	1	EAA0328G72A	PIN - LOCK
10	1	EAS2087G90A	EXTENSION FOR ARM,B/BREAKER
11	1	1-5246	WASHER 14MM
12	1	ST4021305	BLADE BEAD BREAKER
13	1	EAC0078G04A	RUBBER HANDLE
14	1	1-22609	SCREW HEX SOCKET HEAD CAP M14X110
15	1	1-10433	NUT-S.LOCK,LOW- M14
16	1	1-02138A	RING NUT. METAL - S. LOCK . M20 X 1
16	1	EAM0086G16A	BEAD - BREAKER ARM PIN
17	1	1-20933A	NUT (LOCK) M18 X1.5 DIN 982
17		EAM0168G27A	RETAINING RING FOR SHAFTS D16 DIN471
18	1	EAM0067G69A	RECAL SPRING BEAD BREAKER
19	2	EAM0067G34A	SCREW . FITTING- CYLINDER B / BREAK ZINC
20	1	EAM0067G33A	WASHER SUPPORT BEAD BREAKER
20	1	EAC0097G51A	WASHER SHOCK ABSOBER
21	1	1-10433	NUT-S.LOCK,LOW- M14
22	1	EAM0048G04A	LIMIT SWITCH RUBBER PAD

REF	QTY	PART NUMBER	DESCRIPTION
1	7	1-12626A	SCREW HEX FLANGE HEAD M6 X 40MM
2	3	1-12726A	1-12726A
3	1	EAC0096G11A	SPACER-PEDAL
4	1	EAM0068G10A	SHAFT-HINGE PEDAL
5	2	EAM0048G79A	BUSHING CENTERING SPRING
6	1	EAM0048G78A	SPRING, PEDAL SWITCH
7	2	1-5547	BEVELED SERRATED WASHER
8	1	1-25241A	SHIM RING D.12.2X18X0.3 MM DIN988
9	1	EAM0070G32A	COMMUTATOR SPRING GUIDE
10	2	EAM0070G46A	SPACER L=11 MM CENTERING SPRING
11	3	EAC0099G82A	SPRING FIXING PAWL
12	3	EAM0068G95A	STANDARD PEDAL MACHINED
13	1	EAM0068G80A	PEDAL ASSEMBLY SUPPORT - MACHINED
14	1	EAS2115G09A	PROTECTION SHEET FOR CAM
15	1	EAA0347G61A	ROD REGISTER SWITCH
16	1	EAA0357G73A	CABLE, EARTH
17	2	EAS2111G73A	ROD POSITIONER PEDAL
18	3	1-9933	NUT, PREVAILING TORQUE M6
19	2	1-15833A	HEX NUT M4, BRASS
20	3	1-9841	WASHER, PLAIN D6 ZINC.UNI6592-69
21	3	1-10241A	WASHER, ISO 7089 (DIN 125A)
22	4	1-1548	WASHER, EXT. SHAKEPROOF D6
23	2	1-18477A	RETAINING RING 10X1,2MM THK (A2R) BLK
24	2	1-14801A	SCREW, HEX HEAD MACHINE M6X20
25	1	1-50201A	SCREW, HEX HEAD MACHINE
26	2	1-13409	SCREW, HEX SOCKET CAP HEAD, M4X10 A2J
27	2	1-46809	SCREW-HSHC M4X6 8.8 -A2J

REF	QTY	PART NUMBER	DESCRIPTION
28	4	1-16409	SCREW - HEX SOCKET HEAD CAP DIN 912
29	2	1-56209A	SCREW, HEX SOCKET HEAD M6X40
30	2	1-38910	SCREW M4X8SET CUP ZP
31	1	EAA0394G62A	1S SWITCH SUPPORT ASM
32	1	EAA0440G87A	BEAD BREAKER PEDAL HOSES WITH VALVE
	1	EAA0356G94A	VALVE WITH 6X8 HOSES
		5-06335A	HOSE RISLAN 8X6 BLACK 2208004
33	1	EAA0440G88A	TURNTABLE PEDAL HOSES WITH VALVE
	1	EAA0356G94A	VALVE WITH 6X8 HOSES
		5-06335A	HOSE RISLAN 8X6 BLACK 2208004
34	1	EAA0440G89A	TILTING TOWER PEDAL HOSES WITH VALVE
	1	EAA0356G96A	VALVE WITH 4X6 HOSES
		5-06435A	HOSE AIR 4X6 2208001
35	1	EAA0536G27A	RIGHT SWITCH FOOT PEDAL
36	1	EAC0103G56A	FOOT PEDAL CAM
37	3	EAM0147G64A	SPRING RECALL PEDALS
38	2	1-9741	WASHER PLAIN D5 ZINC
39	2	1-24223A	SCREW- SELFTHREAD. 4.8X16 TE
40	2	1-1248	WASHER SHAKE PROOF, M3
41	2	1-27406A	SCREW FIL HD M3X10 4.8 A2J DIN 798

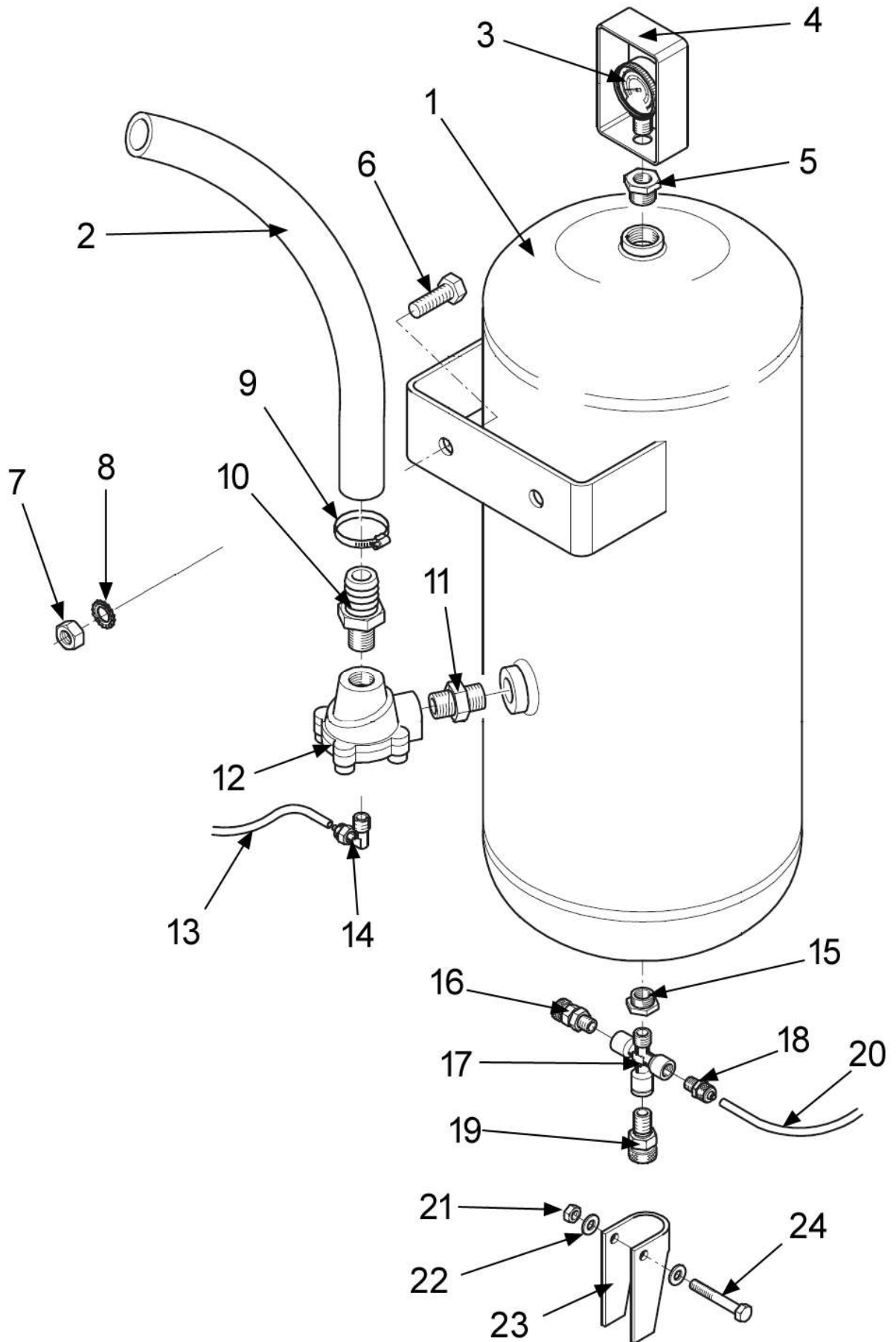


REF	PART NUMBER	DESCRIPTION	REF	PART NUMBER	DESCRIPTION
1	EAW0277G09A	115V PEDAL-SWITCH MOTOR CABLE	6	EAW0256G00A	Clamp for cable
2	2-33301A	Bootlace ferrule 2x2.5mm ²	7	1-24223A	Screw D 4.8x16 TE BR. UNI 6949
3	2-12802A	Ring terminal insulated 2.5mm ² for M4	8	EAC0100G22A	CABLE PROTECTION AND HOSE PASS
4	2-16759A	ONE PHASE ROTARY SWITCH	9	EAW0276G32A	Cable FROR CEI 20-22 II 3Gx2.5 450/750V L.
5	8-23562A	Sticker, Danger	10	EAL0383G21A	CSA mains cord 3.6m
			11	EAC0097G80A	Protection for inverter



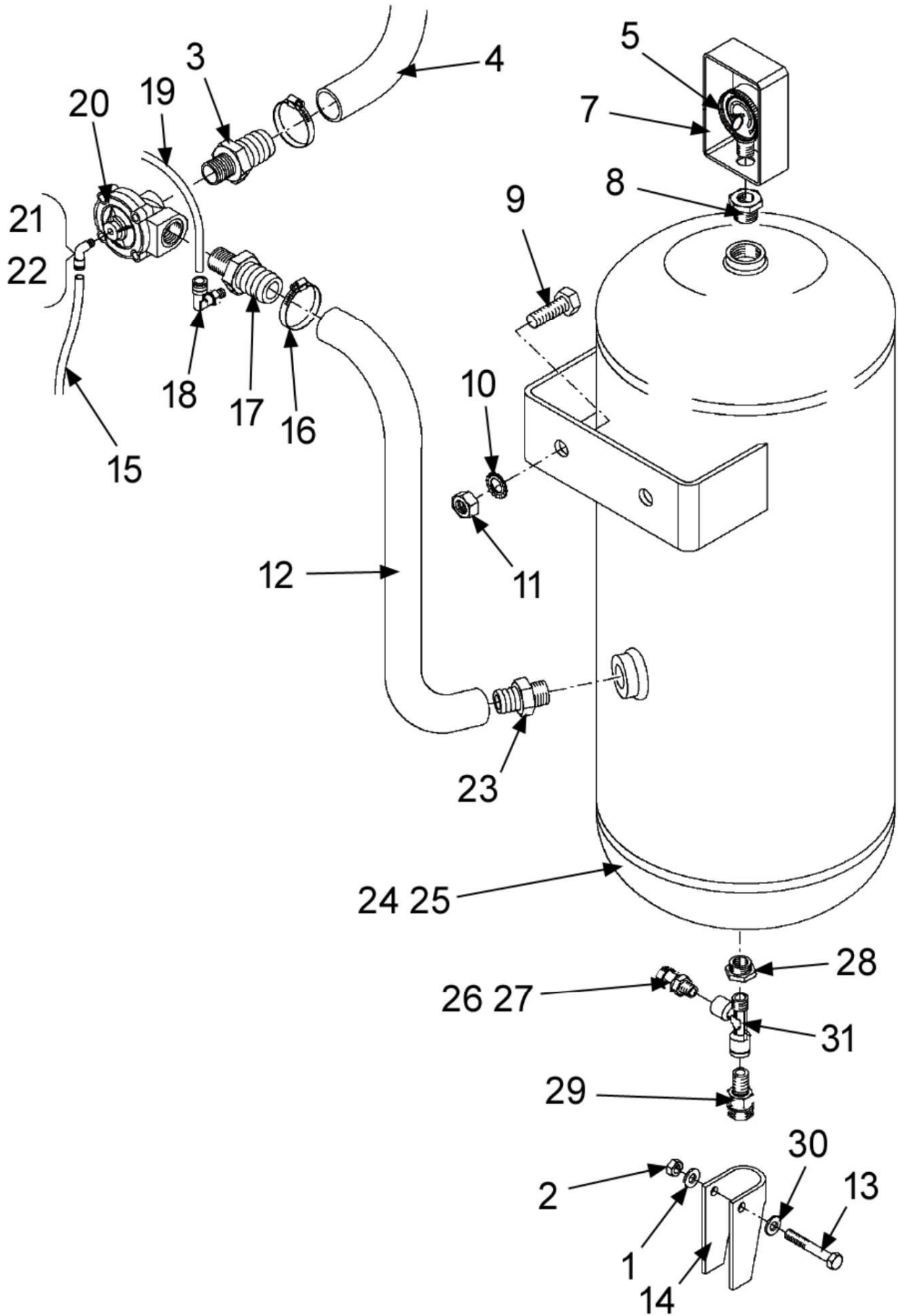
REF	QTY	PART NUMBER	DESCRIPTION
1	1	EAA0382G23A	GEAR BOX TC
2	1	EAA0534G62A	1 PHASE US MOTOR CABLE ASSEMBLY
3	1	2-99966A	MOTOR 1PHASE 115V 60HZ 1HP
4	1	EAW0277G38A	115VAC MOTOR CABLE (ORANGE)
5	1	EAM0154G58A	PULLEY DP=2" HOLE D.5/8
6	1	1-48910A	SCREW SET HEX SOC FLT PT, 6 X 10
7	1	1-54210A	SET SCREW M6X10 HEX SOCKET
8	1	EAS2131G28A	MOTOR SUPPORT
9	1	EAM0125G94A	PULLY DP130 ALU CAST MACHINED
	1	1-03472A	KEY 6X6X45
	1	1-18577A	RING SNAP SHAFT D19
	1	1-24477A	WASHER WAVE 19MM ID
12	1	1-1572	KEY-10X8X45(B)
13	1	EAC0078G58A	BELT V A-26-30939
14	4	1-32601	SCREW HEX HEAD MACHINE 8X20
	4	1-3048	WASHER SHAKEPROOF D8
	4	1-10041	WASHER D.8 UNI6592-69/DIN125
	4	1-11733	NUT M8 6S STAND WHITE ZINC
15	4	1-57309A	SCREW-M10 X 80 HSHS 8.8
	2	1-19409	SCREW HSHC M10 X 40 ZN
	6	1-19633B	NUT-M10 6S
	6	1-10141A1	WASHER-PLAIN D10MM 7021025
16	1	1-33501A	SCREW-M8 65 MM HHM ZN FULL THR
	4	1-10033	NUT-ESNA M8
	2	EAC0097G54A	WASHER-SHOCK MID TIER TC 10491
	3	1-10041	WASHER, PLAIN M8
17	1	1-50301A	SCREW TE M6 X 100 8G 7104599
	1	1-01637A	NUT-ESNA M6 X 1MM-7020189
	2	EAM0032G93A	BUSHING-13165
18		EAS2140G91A	NOT USED
N/S		EAA0534G65A	MOTOR AND PLATE ASSEMBLY

**EAA0364G01A Tank used from 03/2024 (TxxCTxxx)
Items 6, 7, 8 not included in Assembly**

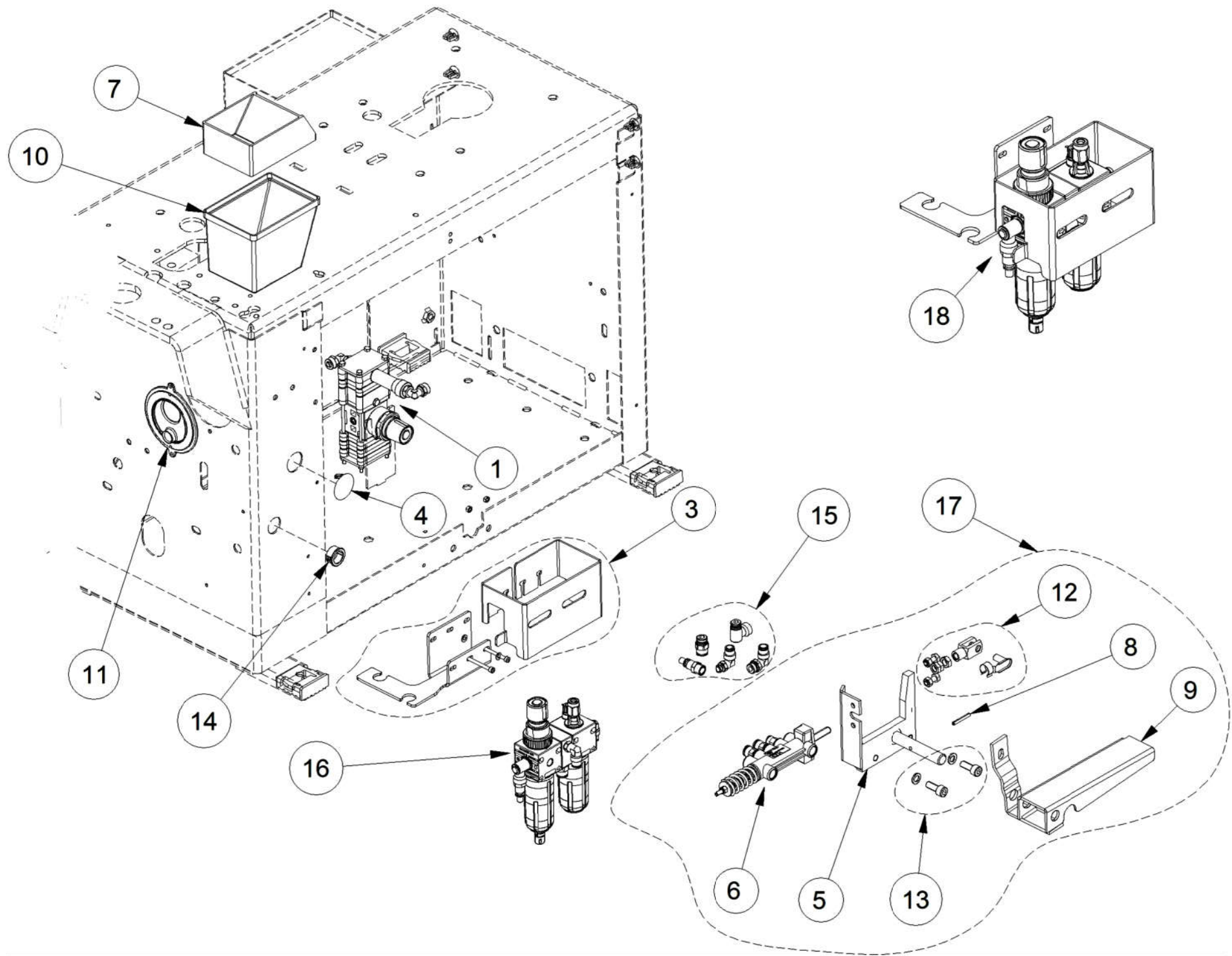


REF	QTY	PART NUMBER	DESCRIPTION
1	1	EAS2089G67A	AIR TANK, CE/UKCA, BLACK PAINTED
2	MR	2072705	HOSE, AIR SOLD BY THE METER
3	1	8-06120A	MANOMETER D.40
4	1	EAM0074G01A	PROTECTION, MANOMETER
5	1	1-12579A	STRAIGHT, FITTING MF 1/2"-1/8"
6	2	1-34501A	SCREW 10 MM - 1.5 X 30
7	2	1-15433	NUT M10 X 8 MM
8	2	13148	WASHER M10 EXT SHAKEPROOF
9	1	EAM0075G29A	CLIP LOCKING HOSE
10	1	EAM0071G99A	1" HOSE FITTING
11	1	1-16579A	CONIC 1" NIPPLE
12	1	1-29581A	1" VALVE, AIR-CONTROLLED
13	MR	5-06435A	HOSE AIR 4 X 6 SOLD BY THE METER
14	1	1-17179A	FITTING 90DEG 4 X 6MM 1/4"
15	1	1-16679A	ADAPTER MF 1/2-1/4"
16	1	1-31381A	VALVE ASME SAFETY 1/4" BSPT
17	1	1-16779A	FITTING, CROSSED FFFM 1/4"
18	1	1-16879A	FITTING STRAIGHT 6 X 8 1/4"
19	1	1-29481A	TAP, CONDENSED WATER
20	MR	5-06335A	HOSE, AIR 6 X 8 SOLD BY THE METER
21	1	1-11733A	NUT M8, BLK
22	1	1-10041	WASHER D.8
23	1	EAM0074G02A	PROTECTION
24	1	1-39901A	SCREW M8 X 50

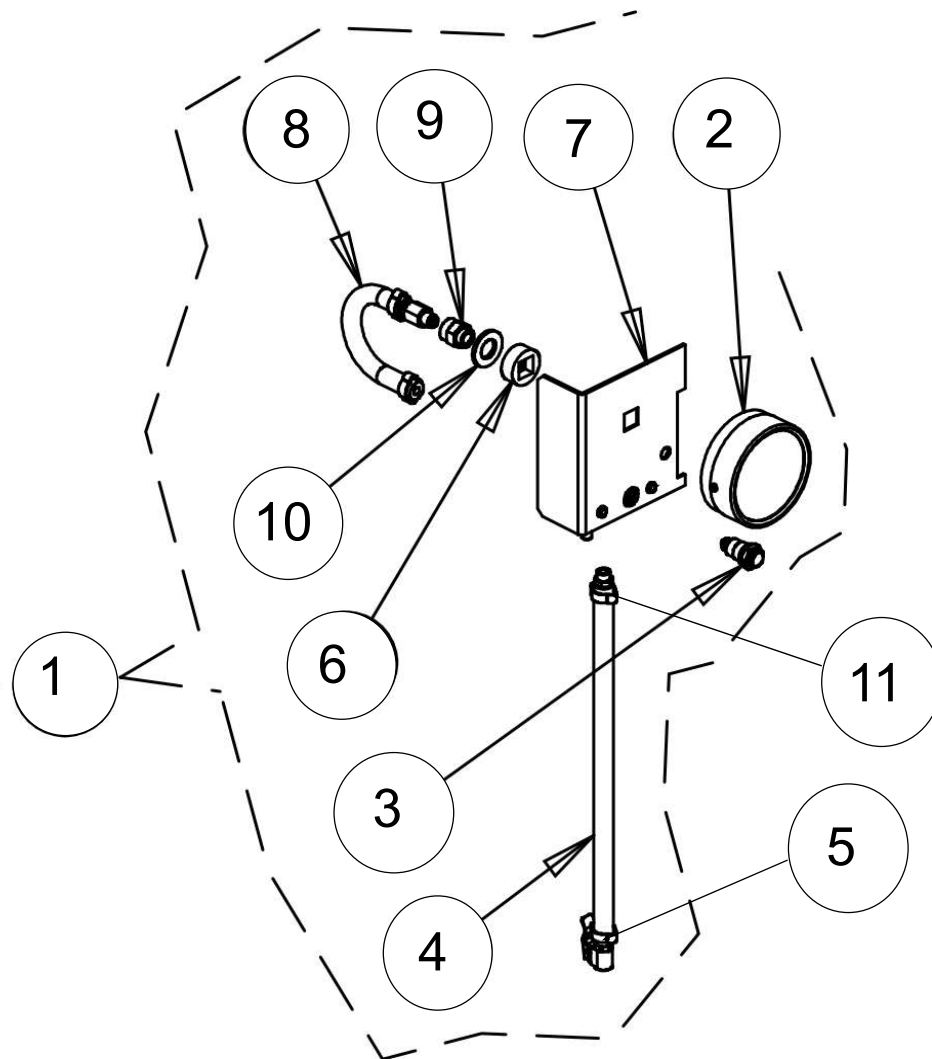
Tank Assembly used up to 02/2024 (TxxBTxxx)



REF	QTY	PART NUMBER	DESCRIPTION
1	1	1-10041	WASHER D.8
2	1	1-15933A	NUT-HEX M8 - 1.25MM
3	1	EAM0071G99A	FITTING , SUPPORT M1"-20
4	MR	2072705	HOSE, AIR SOLD BY THE METER
5	1	8-06120A	MANOMETER-RADIAL 0-16 D.40
7	1	EAM0074G01A	PROTECTION, MANOMETER
8	1	1-16679A	REDUCTION MF 1/2"-1/8" CIL.
9	1	1-34501A	SCREW TE 10 X 30 8G
10	1	1-1348	EXT.SHAKEPROOF
11	1	1-15433	NUT M10 YELLOW ZINCKED DIN 934
12	MR	2072705	HOSE, AIR SOLD BY THE METER
13	1	1-39901A	SCREW M8 X 50
14	1	EAM0074G02A	PROTECTION
15	MR	5-06435A	HOSE AIR 4 X 6 SOLD BY THE METER
16	4	EAM0075G29A	CLIP LOCKING HOSE 25793
17	1	15658	FITTING -RUB HOLDER 1" LONG
18	1	1-17279A	ELBOW FITTING 6 X 8 1/8"
19	MR	5-06435A	HOSE AIR 4 X 6 SOLD BY THE METER
20	1	1-29581A	AIR OPERATED SOLENOID VALVE
21	1	1-17179A	ELBOW FITTING 4 X 6 1/4"
22	1	1-15779A	ELBOW FITTING 4 X 6 1/8"
23	1	EAM0071G99A	FITTING , SUPPORT M1"-20
24	1	EAS2089G67A	TANK - INFLATOR
25	1	EAS2090G17A	TANK - INFLATOR "ASME"
26	1	ST0005803	VALVE, PRESS.RELEASE 1/4"
27	1	1-31381A	VALVE, ASME SAFETY, 1/4" BSPT
28	1	1-16679A	ADAPTER MF 1/2-1/4
29	1	1-29481A	TAP, CONDENSED WATER
30	1	1-10041	WASHER D.8
31	1	1-19079A	T-FITTING MFF 1/4"



Ref	Qty	Part Number	Description
1	1	EAA0384G22A	VALVE, AIR CONTROL
3	1	EAK0330G49A	NA LUB. FILTER FIXING KIT
4	1	1-08676A	CAP, CLOSING
5	1	EAS2134G52A	GT PEDAL SUPPORT
6	1	EAA0329G75A	VALVE, BEAD INFLATING
7	2	1-31581A	PLUG-VALVE, HOUSING
8	1	1-6652	PIN - STRAIGHT SLOTTED 4X30
9	1	EAS2068G87A	INFLATOR PEDAL CATAPHOR. BLK
10	2	8-03129A	BOX-GREASE
11	1	EAC0100G22A	CABLE PROTECTION
12	1	EAK0306G32A	SCREWS AND BOLTS FOR GT VALVE
13	1	EAK0306G33A	SCREWS AND BOLTS FOR GT PEDAL
14	1	8-11616A	SNAP BUSHING Øe 22.2mm - Øi 17.5mm
15	1	EAK0315G99A	FITTINGS KIT FOR FILTER
16	1	EAA0439G90A	FILTER-PRESS.RED.-LUBRIC.ASSY+AIR IN L
17	1	EAA0384G14A	GROUP, BEAD INFLATING PEDAL
18	1	EAA0489G30A	LUBRICATOR FILTER GROUP



REF	QTY	PART NUMBER	DESCRIPTION
1	1	EAA0332G46A	ASSY GAUGE-PRESSURE PSI/KPA
2	1	EAA0332G41A	PSI / KPA MANOMETER
3	1	EAA0328G57A	VALVE
4	1	EAA0329G99A	STD INFLATION HOSE
5	1	1-12279A	INFLATING CHUCK
6	1	EAC0100G54A	PLASTIC WASHER
7	1	ST0015865	MONOMETER SUPPORT
8	1	EAA0356G06A	MANOMETER DAMPER
9	1	1-11879A	REDUCTION
10	1	1-10341	D.14 WASHER
11	1	1-12079A	FITTING - AIR 1/8 D.7
N/S	2	1-32701A1	SCREW M8X25
N/S	2	1-17741	WASHER D.8

JohnBean[®]

EHP SYSTEM IV

PARTS MANUAL

Snap-on Equipment
309 Exchange Ave.
Conway, Ar 72032
501-450-1500

Notice: The information contained in this document is subject to change without notice. Snap-on Equipment makes no warranty with regard to this material. Snap-on Equipment shall not be liable for errors contained herein or for incidental consequential damages in connection with furnishings, performance, or use of this material. This document contains proprietary information which is protected by copyright and patents. All rights are reserved. no part of this document may be photocopied, reproduced, or translated without prior written consent

For Parts And Service Call Snap-on Equipment 1.800.225.5786