

Spare Parts Pieces de Rechange Tabla de repuestos



**JohnBean**<sup>TM</sup>

**EHP SYSTEM V**

INDEX		Page
EAZ0132G51A_A	CABINET	4
EAZ0132G51A_A	CABINET	5
EAZ0132G51A_A	CABINET	6
EAZ0103G51A_E	TILTING TOWER	7
EAZ0103G51A_E	TILTING TOWER	8
EAZ0103G51A_E	TILTING TOWER	9
EAZ0122G40A_A	26" TURNTABLE GT - 115V	10
EAZ0122G40A_A	26" TURNTABLE GT - 115V	11
EAZ0122G41A_A	26" TURNTABLE GT - SMART	12
EAZ0122G41A_A	26" TURNTABLE GT - SMART	13
EAZ0122G42A_A	26" TURNTABLE GT - SMART	14
EAZ0122G42A_A	26" TURNTABLE GT - SMART	15
EAZ0033G67A_A2	USA -230V/1PH/50-60Hz	16
EAZ0033G67A_A2	USA -230V/1PH/50-60Hz	17
EAZ0090G09A_B2	MOTOR ASSY INVERTER	18
EAZ0090G09A_B2	MOTOR ASSY INVERTER	19
EAZ0070G67A_C2	MOTOR ASSY	20
EAZ0070G67A_C2	MOTOR ASSY	21
EAZ0070G95A_B1	FOOT PEDAL ASSY ASM 4P 3PH	22
EAZ0070G95A_B1	FOOT PEDAL ASSY ASM 4P 3PH	23
EAZ0033G65A_A3	PEDAL ASSY 2 SPEED	24
EAZ0033G65A_A3	PEDAL ASSY 2 SPEED	25
EAZ0104G83A_A	BEAD BREAKER CYLINDER	26
EAZ0104G83A_A	BEAD BREAKER CYLINDER	27
EAZ0116G42A_A	AIR CONTROL SYSTEM	28
EAZ0116G42A_A	AIR CONTROL SYSTEM	29
EAZ0033G72A_B	TUBELESS BEADING DEVICE	30
EAZ0033G72A_B	TUBELESS BEADING DEVICE	31
EAZ0090G12A_A2	TOOLBOX BAR/PSI	32
EAZ0090G12A_A2	TOOLBOX BAR/PSI	33
EAZ0116G43A_A	4" ADAPTORS	34
EAZ0116G43A_A	4" ADAPTORS	35
EAZ0104G28A_A	PLASTIC TOOL AND SUPPORT	36
EAZ0104G28A_A	PLASTIC TOOL AND SUPPORT	37
EAZ0116G44A_A	4" QUICK EXCHANGE DEVICE	38
EAZ0116G44A_A	4" QUICK EXCHANGE DEVICE	39

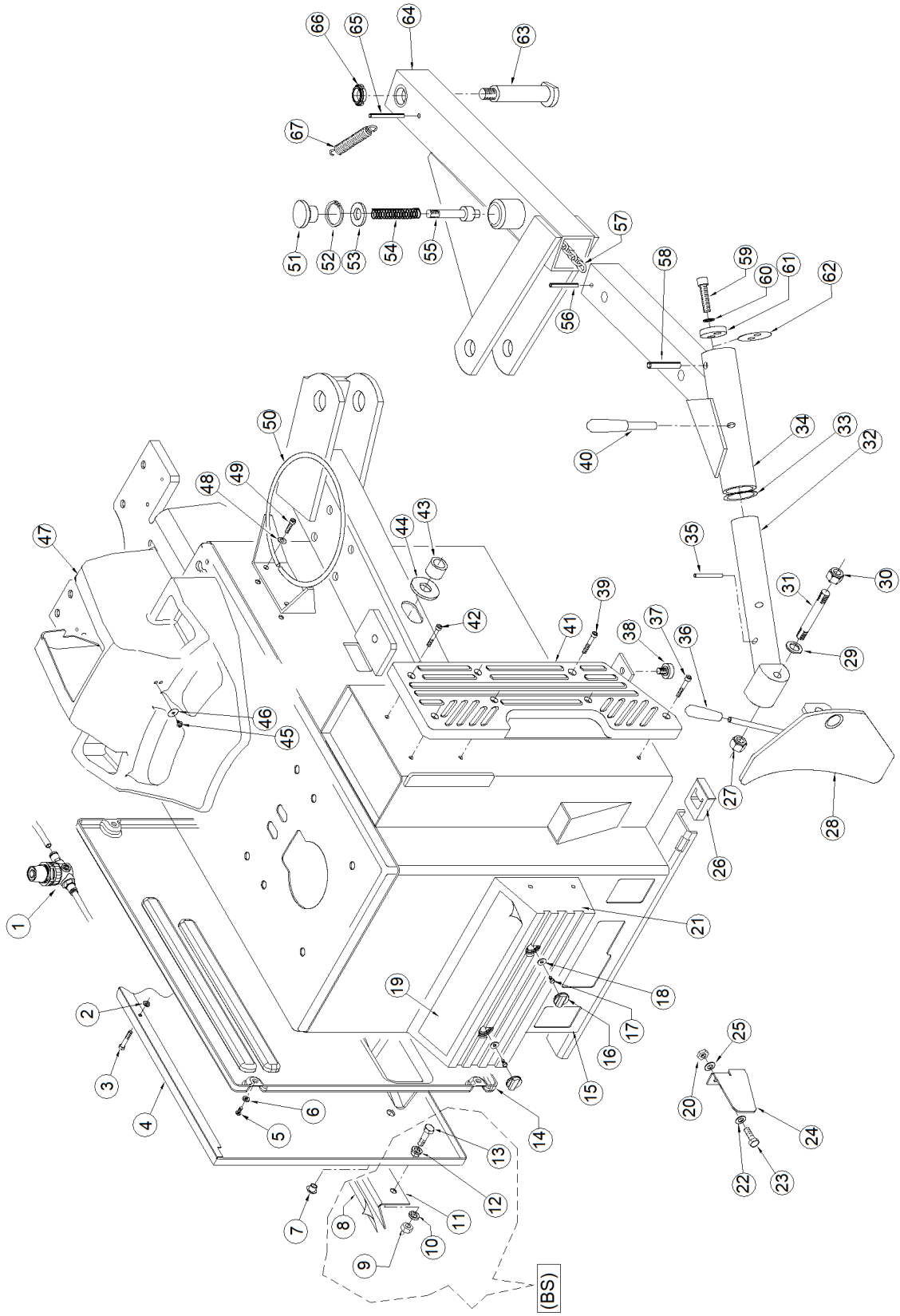
**UPDATING GUIDE:**

**Feb. 19: EAZ0104G27A\_A > EAZ0033G72A\_B**

INDEX		Page
TEEWH001T_A1	TOP SIDE BEAD SEATING DIAGRAM	40
TEEWH001T_A2	TOP SIDE BEAD SEATING DIAGRAM	41
TEEWH001U	AUTOMATIC TOOL DIAGRAM	42
EEWH556AWD_A	ELECTRIC DIAGRAM	43
EEWH306AWD_E	MONOPHASE- USA MOTORS	44

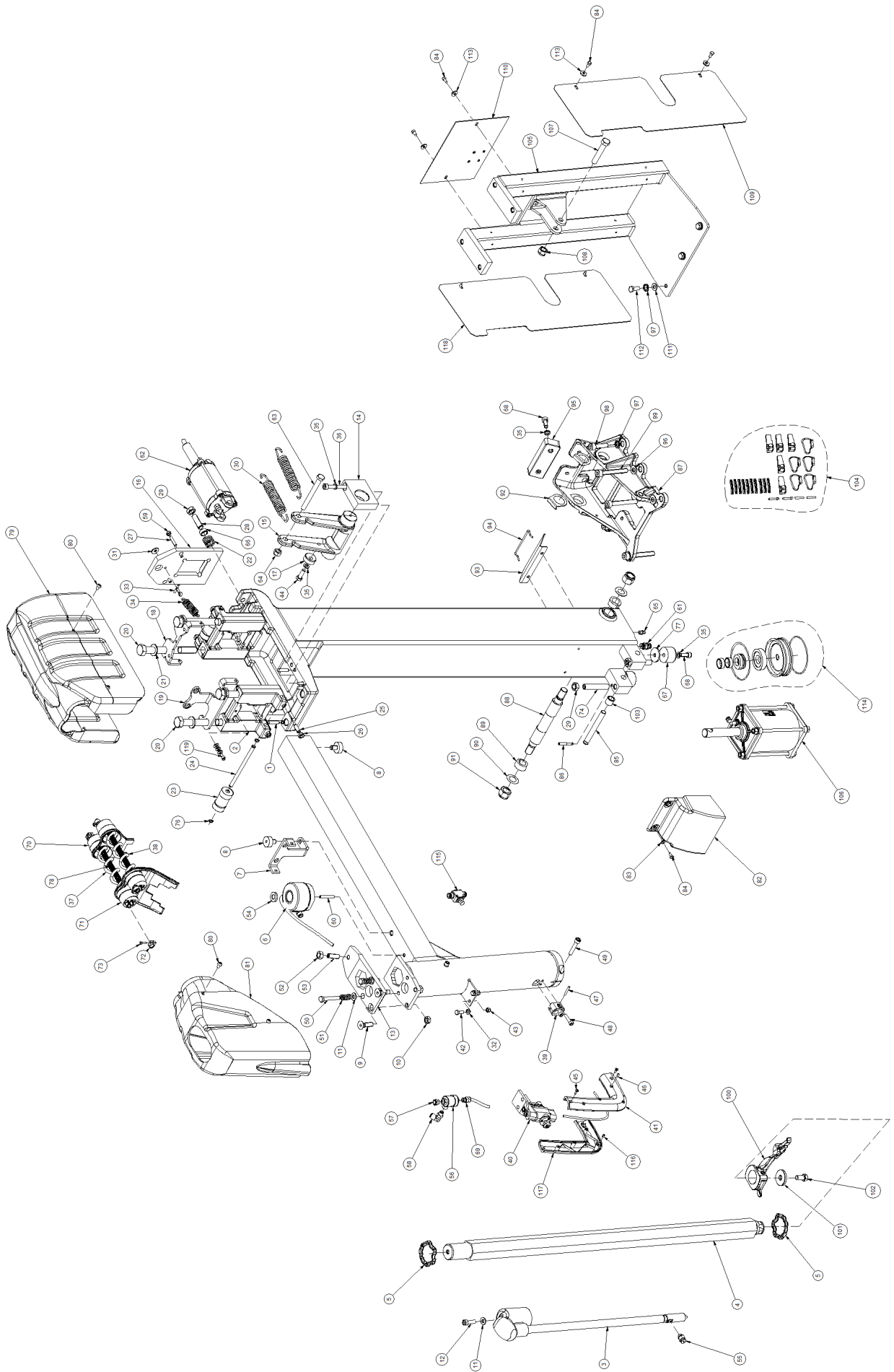
**UPDATING GUIDE:**  
Feb. 19: EAZ0104G27A\_A > EAZ0033G72A\_B

# EAZ0132G51A.A



POS.	CODE	DESIGNATION	DÉSIGNATION	DESIGNATION	DÉSIGNATION	N.	Note	A	B	C
1	EAA0350G84A	AIR PRESSURE REDUCER ASSY, W.FITTING	GRUPE REDUCTEUR A. RACCORDS	GRUPO REDUCTOR C. CONEXIONES		1				X
2	1-1548	WASHER-LOCK d.6	RONDELLE DE d.6	ARANDELA DE D.6		1				X
3	1-30901A2	SCREW TE 6X20 8G	VIS H	TORNILLO TE		1				X
4	EAS2029J62A	SIDE PANEL-TIRE CHANGERS, BLCK	CÔTE NOIRE	FLANCO NEGRO		1				X
5	1-20423	SCREW CROWN HEAD, SELF TAP.	VIS AUTOTAR.	TORNILLO AUTORR.		1				X
6	1-23641A	WASHER 5X15X1.5	RONDELLE d. 5X16X1	ARANDELA COMUN D.5X16X1 GALVANIZ.		1				X
7	EAC0078G97A	COVER FOR SIDE PANEL	TOLE LATERAL	CHAPA LATERAL		1				X
8	EAL0413G34A	STICKER- INFLATOR	ETIQUETTE GONFLEUR	ETIQUETA INFLADOR		1				X
9	1-11733	NUT M8 UNI5588-65/DIN934	ECROU M8 6S STAND..JAUNE	TUERCA M8 6S NORM.GALV.BLANCA		1				X
10	1-17741	WASHER d.8	RONDELLE P.d.8 ZINC..JAUNE	ARANDELA P.D.8		1				X
11	EAS2115G83A	PROTECTOR,PEDAL	PROTECTION PEDALE	PROTECCIÓN PEDAL NEGRO RECUBIERTO		1				X
12	1-17841	WASHER - d. 8X24	RONDELLE d.8X24	ARANDELA COMUN D.8X24 GALVANIZ.		1				X
13	1-32501A	SCREW 8X16 8G	VIS H	TORNILLO TE		1				X
14	EAC0078G32A	SIDE PANEL	COTE	LATERAL		1				X
15	4026205	CABINET, EQUIP-SWING ARM	CAISSON EQUIP.A POT/DEPORTEE	CAJON EQUIP COLUMNA OSCILANTE		1				X
16	EAC0087G61A	CUP FOR PROTECTION PEDALS	BOUCHON POUR PEDALIER CARTER	TAPON P. RUEDA DENTADA CARTER		1				X
17	1-24223A	SCREW- SELFTHREAD. 10EX16 TE	VIS AUTOTAR.	TORNILLO AUTOF.		1				X
18	1-19041A	WASHER 5X16X1	RONDELLE 5X16X1 BRUNIE	ARANDELA 5X16X1		1				X
19	22671	STICKER, PEDALS	ETIQUETTE PEDELES	ETIQUETA PEDELES		1				X
20	1-11733	NUT M8 UNI5588-65/DIN934	EGROU M8 6S STAND..JAUNE	TUERCA M8 6S NORM.GALV.BLANCA		1				X
21	EAC0087G57A	"PROTECTOR,PEDALS - PLASTIC "	PROTECTION PEDELES PLASTIQUE	"PROTECTOR PEDELES, PLASTICO "		1				X
22	1-17741	WASHER d.8	RONDELLE P.d.8 ZINC..JAUNE	ARANDELA P.D.8		1				X
23	1-32601	SCREW TE 8X20 8.8	VIS H	TORNILLO TE		1				X
24	EAS2100G95A	PEDAL-REVERSER PROTECTION	PROTECTION PÉDALE INVERSEUR	PROTECCIÓN PEDAL INVERSOR		1				X
25	1-17741	WASHER d.8	RONDELLE P.d.8 ZINC..JAUNE	ARANDELA P.D.8		1				X
26	EAC0097G52A	FOOT-SQUARE	SUPPORT CARRE	SOPORTE PIE CUADRADO		1				X
27	1-26233A	NUT-S.LOCK-HIGH- M14 5S	ECROU AUTOBL. M14 5S	TUERCA M14 5S AUTOBL.ALTO		1				X
28	EAS2087G92A	BLADE, BEAD BREAKER	PALETTE DETALONNEUR	PALETA DESTALONADOR		1				X
29	1-5246	WASHER 14MM	RONDELLE d.14	ARANDELA ELAST.OND.TIPO B D.14		1				X
30	1-26233A	NUT-S.LOCK-HIGH- M14 5S	ECROU AUTOBL. M14 5S	TUERCA M14 5S AUTOBL.ALTO		1				X
31	EAM0086G49A	SCREW, BLADE	VIS POUR PALETTE	TORNILLO PARA PALETA		1				X
32	EAS2087G52A	SUPPORT PALLET	SUPPORT PALETTE	SOPORTE PALETA		1				X
33	EAM0070G15A	WASHER- ADJUSTMENT	RONDELLE DE REGLAGE	ARANDELA DE REGULACION		1				X
34	EAS2133G63A	ARM PALLET	BRAS PALETTE	BRAZO PALETA		1				X
35	1-19452A	PIN, CYLIN.	GOUJON CYLIND.	VASTAGO CYLIND.		1				X
36	EAC0078G04A	HANDLE-RUBBER	POIGNEE POUR LEVIER	MANIJA PARA PALANCA		1				X
37	1-16409A	SCREW TCEI 6X20 8G	VIS CHC	TORNILLO TCEI		1				X
38	EAC0078G03A	CIRCULAR RUBBER FOOT	SABOT CIRCULAIRE	PIE CIRCULAR		1				X
39	1-16409A	SCREW TCEI 6X20 8G	VIS CHC	TORNILLO TCEI		1				X
40	EAA0328G72A	PIN - LOCK	GOUPILLE DE REGLAGE	ESPIÑA DE REGLAJE		1				X
41	EAC0099G22A	PAD- SUPPORT. BEADBREAKER	PALIER APPUI DETALONNEUR	TAMPÓN SOPORTE DESTALONADOR		1				X
42	1-16409A	SCREW TCEI 6X20 8G	VIS CHC	TORNILLO TCEI		1				X

POS.	CODE	DESIGNATION	DÉSIGNATION	DESIGNACIÓN	N.	Note	A	B	C
43	EAC0097G51A	WASHER - SHOCK ABSORBER	RONDELLE- AMORTISSEMENT	ARANDELA DE AMORTIGUACIÓN	1				X
44	4422	ARM.BEAD BREAKER SPACER	ENTRETOISE BRAS DETALONNEUR	DISTANCIADOR BRAZO DESTALONADOR	1		X		X
45	1-24423A	SCREW -S.THREAD, 10EX13TE	VIS AUTOTAR.	TORNILLO AUTOF.	1		X		X
46	1-19041A	WASHER 5X16X1	RONDELLE 5X16X1 BRUNIE	ARANDELA 5X16X1	1		X		X
47	EAC0094G23A	TOWER COVER BASE	CARTER BASE POTENCE	CÁRTER BASE POSTE	1		X		X
48	1-9841	WASHER,PLAIN d6 ZINC.	RONDELLE d.6	ARANDELA P.D.6 GALVANIZ.	1		X		X
49	1-16309	SCREW HEX SOCKET M 6X16	VIS CHc	TORNILLO TCEI	1				X
50	EAA0349G76A	RING- BOX, GREASE	COURONNE BOITE GRAISSE	ANILLO PORTAGRASA GALVANIZADO BLANCO	1		X		X
51	EAM0086G48A	HANDGRIP	PRISE	EMPUÑADURA	1				X
52	1-19177A	RING-SNAP,HOLES d.24	BAGUE DE BUTEE ,TROUS d.24	ANILLO DE PARO PARA ORIFICIOS D.24	1		X		X
53	1-10241A	WASHER -PISTON d.12	RONDELLE DIAM 12	ARANDELA P.D.12 GALVANIZ.	1		X		X
54	EAM0052G37A	SPRING- HANDLE, BEAD	RESSORT POIGNEE TALON	MUELLE MANIJA TALON	1		X		X
55	EAM0086G47A	PIN, PADDLE POSITION	GOJON POSITION PALETTE	VÁSTAGO POSICIÓN PALA	1		X		X
56	1-23852A	PIN-SPLIT 6X50	BROCHE ELASTIQUE	PASADOR ELÁSTICA	1				X
57	EAM0067G00A	STUD CHAIN, ANTI-WITHDRAWING L=295÷300tr	CHAINE ANTI-DESENFILÉ L=295÷300mm	CADENA ANTI-DESGRANE L=295÷300mmtr	1		X		X
58	1-26052A	PIN-SPLIT 10X60	BROCHE ELASTIQUE	PASADOR ELÁSTICA	1		X		X
59	1-19409	SCREW TCEI 10X40	VIS CHc	TORNILLO TCEI	1		X		X
60	1-04943A	SPRING -WASHER DI 10.3X22X1.25	RESSORT CREUSE DI 10.3X22X1.25	MUELLA CÓNICO DI10.3X22X1.25	1		X		X
61	EAS2133G06A	WASHER, FRICTIONING	RONDELLE QUI FRICTIONNE	ARANDELA DE FRICCIÓN	1		X		X
62	EAM0087G05A	RING TO SHAVE	BAGUE DE RASAGE	ANILLO DE ENRASE	1		X		X
63	EAM0086G16A	FULCRUM-PIN BEAD-BREAKER	AXE PIVOT DETALONNEUR	PERNO PIVOTE DESTALONADOR	1				X
64	EAS2087G79A	SUPPORT- BEAD BREAKER ARM	SUPPORT BRAS DETALONNEUR	SOPORTE BRAZO DESTALONADOR	1		X		X
65	EAM0056G92A	CLIP 6X57.5 DIN1481	FICHE ELASTIQUE D.6X57.5	PASADOR ELASTICO D.6X57.5	1		X		X
66	1-02138A	RING NUT,METAL- SELF LOCK.	COLLIER DE SERRAGE AUTOBLOQUANT	ABRAZADERA AUTOBLOCCANTE	1		X		X
67	EAM0006G06A	WHEELGUARD SPRING	RESSORT PROTECTION ROUE	MUELLE PROTECCIÓN RUEDA	1				X

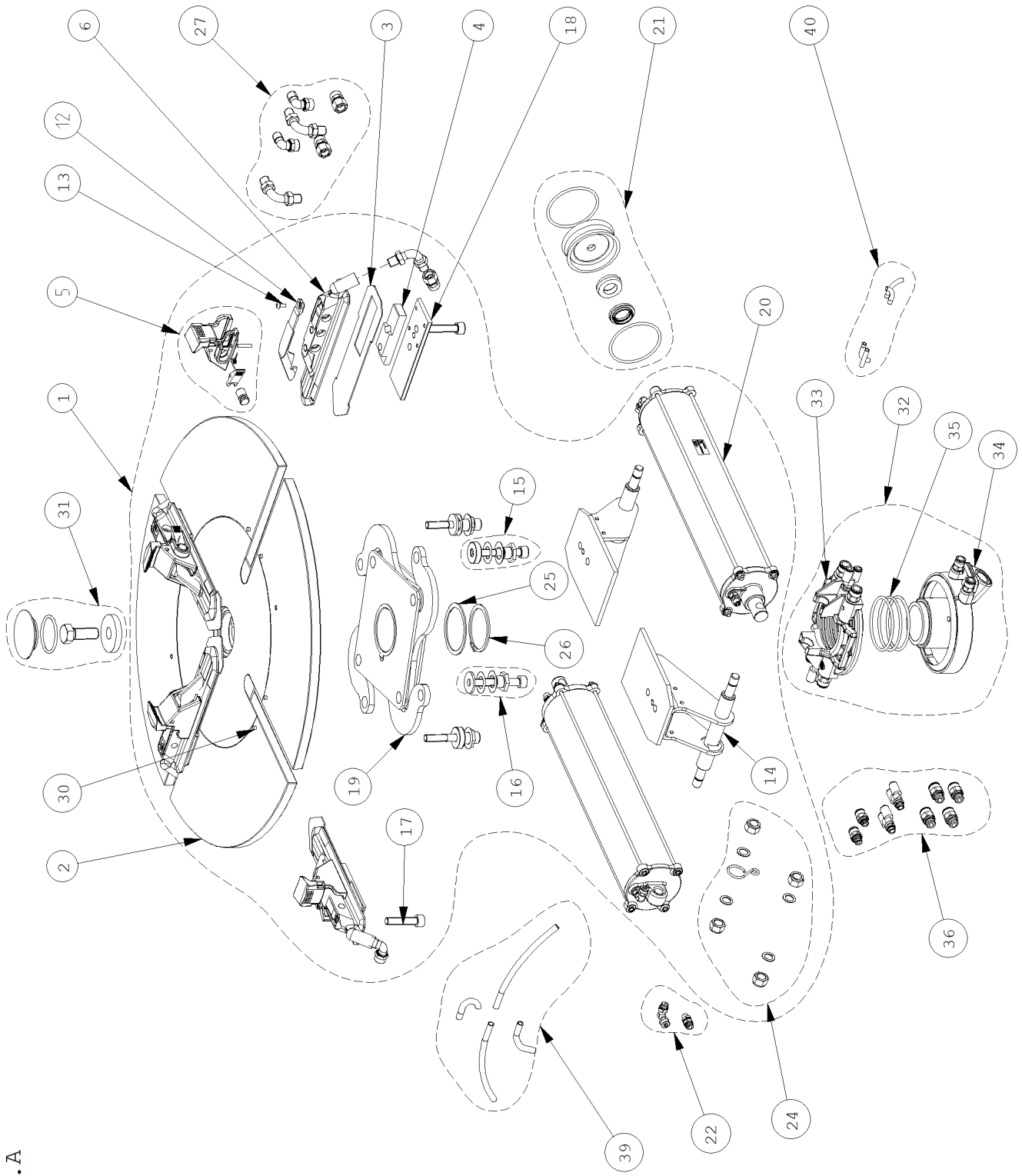




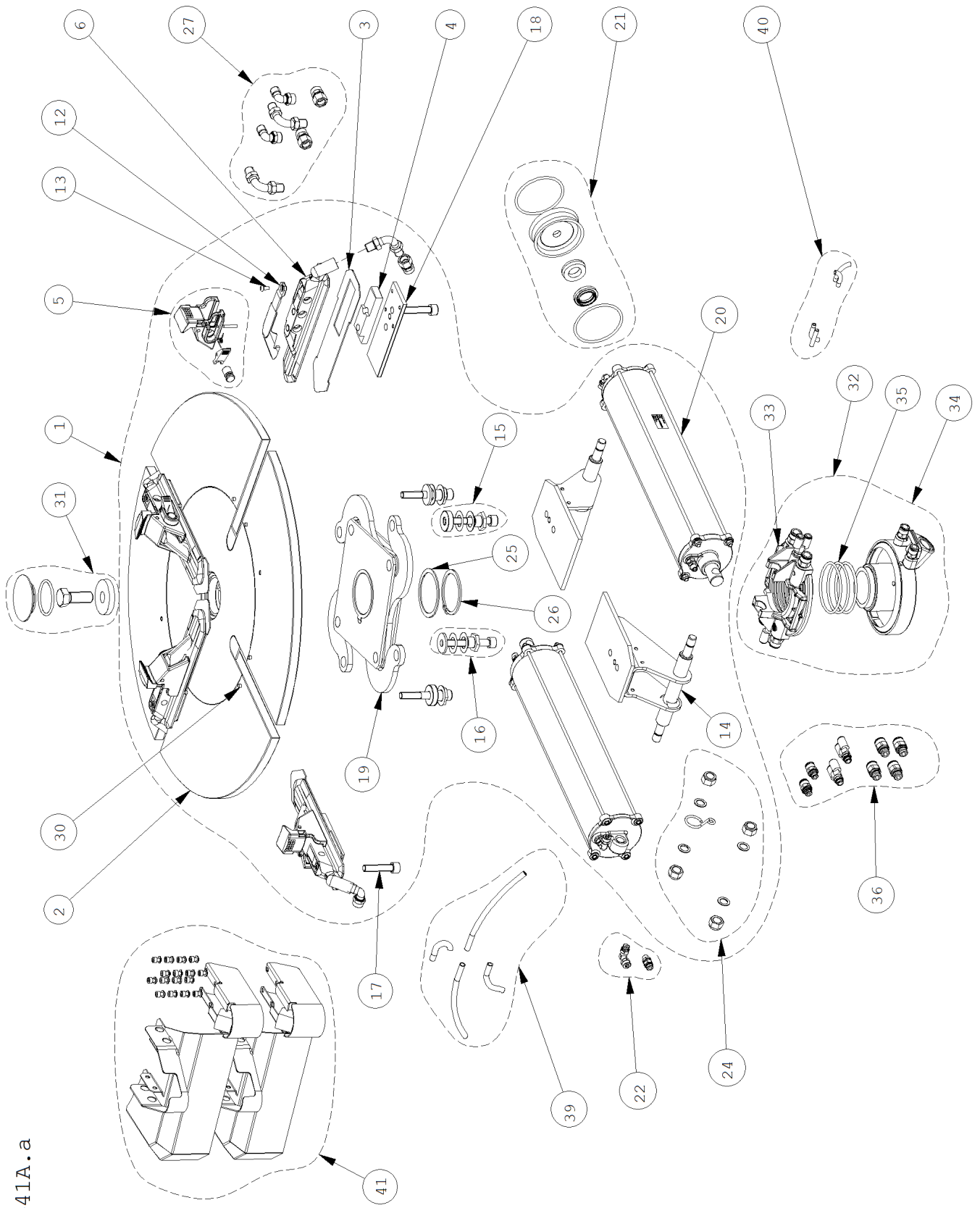
POS.	CODE	DESIGNATION	DESIGNATION	DESIGNACIÓN	N.	Note	Note	A	B	C
1	1-23252A	PIN D6x30 UNI-EN 28734B	GOUPILLE CILINDRIQUE	PASADOR CILINDRICA	8					X
2	EAM0048G27A	SUPPORT FOR SLIDING ROD 70x50	ROD ELEVATOR	SOPORTE DESLIZAMIENTO ASTA 70X50	2					X
3	EAM0034G31A	ROD ELEVATOR	BARRE HEXAGONALE	ROD ELEVATOR	1					X
4	EAM0053G47A	RING, SHOCK-ABSORBER	BOUCLE AMORTISSEUR	BARRA HEXAGONAL	1					X
5	EAC0094G02A	CYLINDER-VERTICAL LOCKING	VERIN- BLOCAGE VERTICAL	ANILLO AMORTIGUADOR	2					X
6	EAM0344G32A	PROTECTIONS SUPPORT	SUPPORT PROTECTIONS	CILINDRO BLOCQUEO VERTICAL	1					X
7	EAS2096G70A	SCREW-ARM,RETAINING	SCREW TSEI 10X35 10.9	SOPORTE PROTECCIONES	1					X
8	EAC0094G00A	NUT- M10 6S BLK UNI5689-65	WASHER d.8	TORNILLO DE PARO BRAZO	2					X
9	1-26103A	VERTICAL STRANGLE	CAM SUPPORT FRONT H STRANGLE	TORNILLO TSEI	2					X
10	1-19633B	VERTICAL STRANGLE	HORIZONTAL STRANGLE CRANCK MECHANISM CAM	TUERCA M10 CL.8 BR	2					X
11	1-17741	CAM SUPPORT FRONT H STRANGLE	H STRANGLE PLATE	ARANDELA P.D.8	3					X
12	1-17809A	H STRANGLE PLATE	HOOK SPRING PLATE	TORNILLO TCEI	1					X
13	EAS2096G72A	H STRANGLE ECCENTRIC REGISTER	SPIRAL PIPES CONNECTION SHEET	ESTRANGULADOR VERTICAL	1					X
14	EAM0053G48A	HEX SCREW M16 x 150 ISO 4014 Zinc	PLANE WASHER D16x27x2.5 UNI1750 ZINC	SOPORTE LEVA ESTRANGULADOR H DELANTERA	2					X
15	EAM0053G49A	SLIDING ROD ROLLER	SLIDING ROLL 70x50 ROD	MECANISMO DE LEVAS ESTRANGULADOR H	1					X
16	EAS2096G74A	ROD 70x50 SLIDING ROLL REGISTER	NUT M8 DIN 936 - UNI 5589	PLATO ESTRANGULADOR H	1					X
17	EAM0053G50A	SCREW STEI 6X30 12K	SCREW SSCR M12x40 DIN 913 Burr.	EXCÉNTRICA REGISTRO ESTRANGULADOR H	1					X
18	EAS2096G75A	NUT - M12 6S	CAM RETURN SPRING	PLATO PARA ENGANCHE MUELLES	1					X
19	EAS2096G76A	WASHER - d.6X18	WASHER - d.6X18	CHAPA CONEXION TUBOS EN SPIRAL	1					X
20	1-51401A	SPLIT PIN D5x28 UNI 1336 Zinc	SPRING - RECALL, LEVER, LOCKING	TORNILLO	4					X
21	1-25941A	PLANE WASHER Di 8.4x14x1.6 UNI6592 ZINC	SLIDING ROLL 70x50 ROD	ARANDELA	4					X
22	EAM0053G51A	SCREW, HEX SOCKET HEAD M8x65	ROD 70x50 SLIDING ROLL REGISTER	MUELLE REGRESO PALANCA BLOQUEA	4					X
23	EAM0053G52A	SPIRAL PIPE POLYURETHAN Ø6x4	ROD 70x50 SLIDING ROLL REGISTER	RODILLO DESLIZAMIENTO VARILLA	2					X
24	EAM0053G53A	BODY HANDLE FIXING	VALVE,LIFT CONTROL, YELLOW BUTTON	ARBOL RODAMIENTO DESLIZAMIENTO 70x50	2					X
25	EAM0053G54A	VALVE,LIFT CONTROL, YELLOW BUTTON	HANDLE, RIGHT ST.1801	ASTA 70x50	4					X
26	1-15933A	SCREW HEX HEAD MACHINE 6X16 8G	NUT, PREVAILING TORQUE M6	TUERCA M8 CL.8 BR BAJO	4					X
27	1-51910A	SCREW, SELF-TAPPING (M3.5X13MM)	SCREW TCB PHILIPS HEAD M3X10	TORNILLO STEI	2					X
28	1-14810	ROLLER, MODIFIED D.4X25.8	ROLLER, MODIFIED D.4X25.8	TORNILLO STEI	2					X
29	1-24733A	SCREW TCEI 6X25 8G	SCREW TCEI 6X25 8G	TUERCA M12 CL.8 BR	4					X
30	EAM0053G55A	SCREW M 8X50 ISO4017 - DIN933	SCREW M 8X50 ISO4017 - DIN933	MUELLE	2					X
31	1-20041A	SPRING - RECALL, PIN	SPRING - RECALL, PIN	ARANDELA PLANA D.6 BR	2					X
32	1-13241	SCREW, TCB PHILIPS HEAD M3X10	SCREW TCB PHILIPS HEAD M3X10	CLAVIJA	1					X
33	1-23152A	ROLLER, MODIFIED D.4X25.8	ROLLER, MODIFIED D.4X25.8	ARANDELA COMUN D.6X18 GALVANIZ.	5					X
34	EAM0053G56A	SCREW, HEX SOCKET HEAD M8x65	SPIRAL PIPE POLYURETHAN Ø6x4	MUELLE DE REGRESO PISTON	1					X
35	1-25641A	VALVE, HANDLE FIXING	VALVE, HANDLE FIXING	ARANDELA	7					X
36	1-30609	VALVE, LIFT CONTROL, YELLOW BUTTON	VALVE, LIFT CONTROL, YELLOW BUTTON	TORNILLO TCEI	2					X
37	EAM0053G60A	HANDLE, RIGHT ST.1801	HANDLE, RIGHT ST.1801	TUBO EN SPIRAL POLIURETANO Ø6x4	1					X
38	EAM0053G59A	SCREW HEX HEAD MACHINE 6X16 8G	SCREW HEX HEAD MACHINE 6X16 8G	TUBO EN SPIRAL POLIURETANO Ø6x4	1					X
39	EAC0094G14A	NUT, PREVAILING TORQUE M6	NUT, PREVAILING TORQUE M6	CUERPO AJUSTE MANILLA	1					X
40	EAC0038G09A	SCREW M8X25	SCREW M8X25	VALVULA MANDO ELEVADOR	1					X
41	EAC0094G03A	SCREW, SELF-TAPPING (M3.5X13MM)	SCREW, SELF-TAPPING (M3.5X13MM)	MANIJA, DERECHA ST.1801	1					X
42	1-14701A	SCREW TCB PHILIPS HEAD M3X10	SCREW TCB PHILIPS HEAD M3X10	TORNILLO TE	2					X
43	1-9933	ROLLER, MODIFIED D.4X25.8	ROLLER, MODIFIED D.4X25.8	TUERCA M6 AUT. BAS.CL.6	2					X
44	1-32701A1	SCREW TCEI 6X25 8G	SCREW TCEI 6X25 8G	TORNILLO TE	1					X
45	1-21223A	SCREW M 8X50 ISO4017 - DIN933	SCREW M 8X50 ISO4017 - DIN933	TORNILLO AUTORR.	1					X
46	1-11204A2	SCREW, TCB PHILIPS HEAD M3X10	SCREW TCB PHILIPS HEAD M3X10	TORNILLO TBC A CRUZ	4					X
47	EAM0053G61A	ROLLER, MODIFIED D.4X25.8	ROLLER, MODIFIED D.4X25.8	RODILLO MODIFICADO D.4X25.8	1					X
48	1-16509A1	SCREW	SCREW	TORNILLO TCEI	2					X
49	1-30109A	SCREW M 8X50 ISO4017 - DIN933	SCREW M 8X50 ISO4017 - DIN933	TORNILLO	1					X
50	1-39901A	SPRING - RECALL, ADJUSTMENT	SPRING - RECALL, ADJUSTMENT	TORNILLO TE	2					X
51	EAM0053G62A	NUT M10 YELLOW ZINCKED DIN 934	NUT M10 YELLOW ZINCKED DIN 934	MUELLE REGRESO PALANCA AJUSTE ALIM.	2					X
52	1-15433	WASHER- REINFORCEMENT	WASHER- REINFORCEMENT	ARANDELA COMUN D.6 BR	1					X
53	1-13310	FITTING- 1/8-4	FITTING- 1/8-4	TORNILLO STEI	1					X
54	EAM0053G63A	SCREW, TCB PHILIPS HEAD M3X10	SCREW TCB PHILIPS HEAD M3X10	CONEXION RAPIDA GALV. BLANCA	1					X
55	1-15079A	MUFFLER 1/8	MUFFLER 1/8	CONEXION RAPIDA 2X 1/8-4	1					X
56	1-26981A	FITTING-90 DEG.FIXED L 4X6 1/8	FITTING-90 DEG.FIXED L 4X6 1/8	VALVULA DE ESCAPE 1/8	1					X
57	EAM0032G91A	HEX NUT M6 6S	HEX NUT M6 6S	SILENCIADOR 1/8	1					X
58	1-15379A	PIN - 6X40	STRAIGHT FITTING RAPID CONNECTOR 6x4 M12	CONEXIÓN RAPIDO DE L' 4x6 1/8	1					X
59	1-17833A	SCREW TCEI 6X25 8G	SCREW TCEI 6X25 8G	TUERCA M6 CL.8 BR-BAJO	2					X
60	1-23352A	SCREW TCEI 6X25 8G	SCREW TCEI 6X25 8G	PASADOR ELÁSTICA	1					X
61	1-15179A	SCREW TCEI 6X25 8G	SCREW TCEI 6X25 8G	CONEXION RAPIDA 6x4 M12	1					X



POS.	CODE	DESIGNATION	DESIGNATION	DESIGNATION	N	Note	Note	A	B	C
62	EA0344G33A	CYLINDER Ø63	CYLINDRE Ø63	CLINDRO Ø63	1					X
63	1-48601A	SCREW 10X100 10.9 A2R UNI5737-65	VIS H	TORNILLO TE	1					X
64	1-10133	NUT -S.LOCK,LOW - M10	ECROU AUTOBL.BAS M10	TUERCA M10 AUT.BAS.CL6	1					X
65	1-18084A	GREASER-NIPPLE M8x1.25	GRAISSEUR A BILLES	ENGRASADOR A ESFERA M8x1.25	1					X
66	EAM0053G70A	BUSHING- CENTERING. SCREW	DOUILLE CENTRAGE VIS	CASQUILLO CENTRAJE TORNILLO	2					X
67	EAC0094G07A	PAD, SHOCK-ABSORBER	TAMPON AMORTISSEUR	TOPE AMORTIGUADOR	2					X
68	1-17709	SCREW TCEI 8X20 8G	VIS CHC	TORNILLO TCEI	4					X
69	1-11579A	FITTING-STRAIGHT 4X6 1/8	RACCORD 4X6 1/8	CONEXIÓN RÁPIDO 4x6 1/8	1					X
70	EAC0087G88A	CENTRAL SPIRAL PIPES PROTECTION	CARTER CENTRAL TUBES SPIRALES	CÁRTER CENTRAL TUBOS EN ESPIRAL	1					X
71	EAC0087G85A	SPIRAL PIPES PROTECTION	ETAU/MORS	CARTER TUBOS EN ESPIRAL	1					X
72	EAC0087G97A	CLAMP	VIS AUTOTARAUD	MORDAZA	4					X
73	1-24823A	SCR. PHIL PNH 3.5 x 16 mm ISO 7049-F	VIS Fhc	TORNILLO AUTORR.	4					X
74	1-52010A	SCREW STEI M12X70 12.9	RONDELLE	TORNILLO STEI	2					X
76	1-3477	RING- SNAP. SHAFT Ø8	BAGUE DE BUTEE,AXE Ø8	ANILLO DE PARO PARA ARBOL D.8	4					X
77	EAM0075G51A	WASHER Ø8.5x34	Ressort de traction	ARANDELA Ø8.5x34	2					X
78	1-07667A	TENSION SPRING	CARTER SUP.CENTR. ST. 2035 perbagues avec taraud	MUELLE DE TRACCIÓN	2					X
79	EAM0086G11A	CENTRAL UPPER PROTECT. TILTING TOWER	VIS BHC	TORNILLO TBEI	8					X
80	1-54609A	SCREW M6 x 10mm ISO7380 Zinc.	PROTECTION SUPERIEUR	PROTECCIÓN SUPERIOR	1					X
81	EAC0087G84A	PROTECTION-UPPER, TOWER	CARTER AVANT POTENCE	CÁRTER DELANTERO POSTE	1					X
82	EAC0094G25A	FRONT PROTECTION TOWER	RONDELLE DIAM 5	ARANDELA PLANA D.5 BR	2					X
83	1-31241A	WASHER D.5 MM	VIS AUTOTAR.	TORNILLO AUTOF.	8					X
84	1-24423A	SCREW -S.THREAD, 10EX13TE	TIGE PISTON D12MM	PERNO PIVOTE PISTÓN D12mm	1					X
85	EAM0127G82A	CORE PISTON D12mm	VIS H M 6X35	TORNILLO TE 6X35	1					X
86	EAM0127G83A	HEX SCREW M6x35 WORKED	SUPPORT POTENCE	SOPORTE POSTE MECANIZADO	1					X
87	EAM0080G77A	TOWER SUPPORT MACHINED	AXE POTENCE	PERNO PIVOTE POSTE	1					X
88	EAM0051G65A	TOWER - AXLE PIN	GOUILLE CONIQUE AXE POTENCE	CASQUILLO CÓNICO PIVOTE POSTE	2					X
89	EAM0075G82A	BUSHING,CONIC - TOWER	RONDELLE	ARANDELA	2					X
90	EAM0051G74A	WASHER-SHIM 30X17X0.3	ECROU M16 5S	BULON M16 5S AUTOBL. ALTO	2					X
91	1-02637A	NUT - S.LOCK HIGH- M16 5S	RONDELLE sp.0.8.C67	ENRASE esp. 0.8 C67	2					X
92	EAM0086G15A	C67 WASHER THK 0.8	PROTECTION POSTERIEURE POTENCE	PROTECCIÓN TRASERA PALO NEGRO RECUBIERTO	1					X
93	EAS2130G10A	PROTECTION, REAR- TOWER	ARRET PROTECTION TIGE	TOPE DE PROTECCION POSTE	1					X
94	EAM0006G49A	RETAINER-FLAP	ARRET POTENCE BASCULANTE	TOPE POSTE VOLCABLE	1					X
95	EAM0080G29A	CLAMP OVERTURNING	RONDELLE D. 10	ARANDELA D.10	4					X
96	1-10141A1	WASHER P.d.10	RONDELLE DEINTEE d.10	ARANDELA DENTADA E D.10	5					X
97	1-3148	EXT.SHAKEPROOF d.10 DIN 6798/A	VIS CHC	TORNILLO TCEI	2					X
98	1-19409	SCREW TCEI 10X40	VIS CHC	TORNILLO TCEI	4					X
99	1-57309A	SCREW TCEI 10X80 8G ZINC.BIANC UNI 5831-	OUTIL P. MONTAGE ET DEMONTAGE	HERRAMIENTA P. MONTAJE Y DESMONTAJE	1					X
100	EA00329G95A	MOUNTING/DEMOUNTING TOOL	RONDELLE FIXATION OUTIL	ARANDELA BLOQUEO HERRAMIENTA	1					X
101	EAM0032G02A	WASHER- TOOL CLAMPING	VIS H	TORNILLO TE	1					X
102	1-34301A	SCREW HEX 10X20 8G	COQUILLE SIEGE RESSORT	ARO CENTRAJE RESORTE	1					X
103	EAM0125G79A	BUSHING, CENTERING- SPRING	PROTECTIONS FOR MOUNTING TOOLS	GRUPO PROTECCIONES UNIFICADAS PARA HERRAMIENTA	1					X
104	EA00372G24A	PROTECTIONS FOR MOUNTING TOOLS	SUPPORT POSTER. POTENCE ABBATANT	SOPORTE POST. PALO ABATABLE	1					X
105	EAS2088G99A	BACK SUPPORT, TILT POST	VERIN POTENCE BASCULANTE	CILINDRO POSTE VOLCABLE	1					X
106	EA00356G14A	CYLINDER TILTING TOWER	VIS H	TORNILLO TE	1					X
107	1-20801	SCREW TE 12X65 8G	ECROU AUTOBLOQUANT M12	TUERCA M12 AUTOBLOQUEO CL6	1					X
108	1-19933A	NUT - LOCK - M12 DIN985	CARTER LATERAL	CÁRTER POSTERIOR	1					X
109	EAS2087G76A	TIMING CASE, SIDE	CARTER POSTERIEUR	CÁRTER POSTERIOR	1					X
110	EA00376G51A	TIMING CASE, BACK	RONDELLE DIAM 8	ARANDELA PLANA D.8 GALVANIZ.	3					X
111	1-10041	WASHER D.8	VIS H	TORNILLO TE	3					X
112	1-32601A	SCREW TE 8X20 8G	RONDELLE 5X16X1 BRUNIE	ARANDELA 5X16X1	6					X
113	1-19041A	WASHER 5X16X1	KIT JOINTS VERIN BASCULEMENT D.90	KIT JUNTAS CILINDRO ABATIBLE D.90	1					X
114	EA00356G43A	SEALS,KIT FOR TILTING-TOWER CYLINDER D.9	SOUAPE REGLAGE UNIDIRECTIONN.06	VALVULA REGULADOR UNIDIRECT.06	1					X
115	1-26481A	SPEED CONTROLLER FLAT	INSERT FILETE M3	ENCAJE PARA ROSCA M3 PLK-B-M3 PSM	4					X
116	1-02040A	INSERT, THREAD M3	POIGNEE GAUCHE	MANIJA. IZQUIERDA	1					X
117	EAC0094G04A	HANDLE, LEFT	COUVERTURE LATERALE	COBERTURA LATERAL	1					X
118	EA00440G21A	RAL 9005 LATERAL COVER	VIS	TORNILLO	1					X
119	1-14909	SCREW			1		8.8 M5x12			ISO762 X

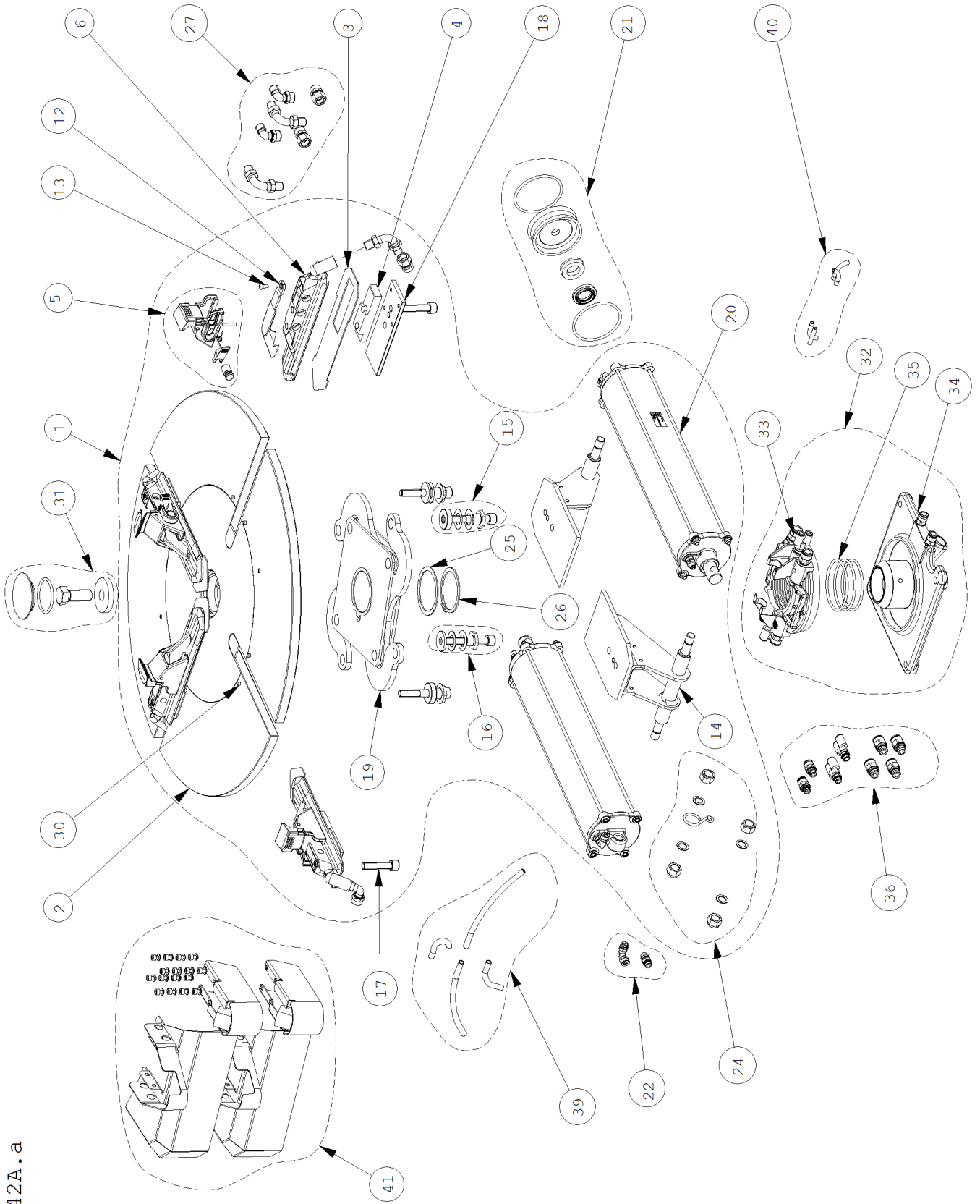


POS.	CODE	DESIGNATION	DESIGNATION	DESIGNATION	DESIGNATION	N.	Note	A	B	C
1	EAA0409G88A	12-26" TURN TABLE CENTRE TYPE GT	AUTOCENTRANT 12-26" CONV. CENT. GT	AUTOCENTRADOR 12-26" CONV. CENT. GT		1				X
2	EAS2153G40A	PLATE- TURNTABLE CENTRAL 20"	BRIDE AUTOCENTRANTE CEN 20"	BRIDA AUTOCENTRANTE CEN 20"		1				X
3	EAM0043G15A	GUIDE, 26" SLIDING JAWS	GUIDE ETAU MOBILE 26" CENTRE	GUIA MORS. CORRED. 26" C/CENTRO		1				X
4	EAM0043G44A	SPACER CLAMP 26"	ENTRETOISE ETAU 26"	DISTANCIADOR ABRAZADERA 26"		1				X
5	EAA0408G23A	ASSEMBLED SLIDING JAW C/TYPE V2	CALE COULISSANTE C/C ASSEMBLEE V2	CUNA DESLIZANTE C/C MONTADO V2		1				X
6	EAM0086G02A	CLAMP, SLIDING W/CENTRE 26"	ETAU COULISSANT A CENTRE 26"	ABRAZADERA CORREDERA C/CENTRO 26"		1				X
12	EAC0099G90A	PROTECTION JAWS NEW	PROTECTION ETAUX	PROTECCIÓN ABRAZADERA NUEVO ST.		1				X
13	1-36109A2	SCREW TBEI 5X10 8G	VIS BHc	TORNILLO TBEI		1				X
14	EAA0377G79A	BRACKET CYLINDERS	SIEGE VERINS	ESTRIBO CILINDROS		1				X
15	EAK0329G88A	SCREWS AND BOLTS WITH ECCENTRIC	KIT VIS AVEC EXCENTRIQUE PLAQUE BORNES	KIT TORNILLOS CON EXCÉNTRICO PLACA BORNES		1				X
16	EAK0329G89A	SCREWS AND BOLTS FOR CLAMPS	KIT VIS PLATEAU COMMANDE BORNES	KIT TORNILLOS PLACA MANDO BORNES		1				X
17	1-19509A	SCREW TCEI 10X45 8G	VIS CHc	TORNILLO TCEI		1				X
18	EAM0043G49A	PLATE, REGISTER -CLAMP	PLATEAU REGLAGE ETAU	PLATO REGLAJE GARRA		1				X
19	EAA0351G73A	CLAMPING PLATE	PLAQUE DE FIXATION	PLACA MANDO BORNES		1				X
20	EAA0410G31A	CYLINDER, TURNABLE	CYLINDRE AUTOCENTRANT	CILINDRO AUTOCENTRADOR		1				X
21	EAK0317G36A	SEAL SP FOR ROUND CYLINDER	KIT PIECE DE RECHANGE JOINTS CYLINDRES RONDS	KIT RECAMBIO JUNTAS CILINDROS REDONDOS		1				X
22	EAK0330G35A	TT CYLINDER FITTINGS KIT	KIT RACCORDS CYLINDRE AUTOCENTRANT	KIT RACORES CILINDRO AUTOCENTRADOR		1				X
24	EAK0306G27A	SCREWS AND BOLTS FOR TURNABLE CYL.	SUPPORT RING	KIT TORNILLOS CILINDROS AUTOCENTRADOR		1				X
25	EAM0051G85A	RING- STOP D.60	ANNEAU D'ARRET	ARANDELA DE SOPORTE		1				X
26	1-18677A	GT SYSTEM FITTINGS KIT	KIT RACCORDS SYSTEME GT	ANILLO DE PARO PARA ARBOL D.60		1				X
27	EAK0330G32A	PIN DOWEL 5x10 UNI EN 28734	GROUPILLE	KIT CONEXIONES SISTEMA GT		1				X
30	1-25952A	TURNABLE FIXING KIT	KIT RACORDEMENT AUTOCENTRANT	PASADOR		1				X
31	EAK0306G25A	REVOLVING MANIFOLD, TUBELESS INFLATOR	DISTRIBUTEUR TOURNANT GT	KIT CONEXIÓN AUTOCENTRADOR		1				X
32	EAA0304G69A	RING-OUTER - MANIFOLD	COLLIER EXTERIEUR COLLECTEUR	DISTRIBUIDOR GIRATORIO GT		1				X
33	EAA0338G76A	RING-INSIDE, WITH SUPPORTS	COLLIER INTERIEUR AVEC ROULEMEN	ARO EXTERIOR COLECTOR		1				X
34	EAA0338G27A	SEAL OR D.69.44X3.53	JOINT TORIQUE	RUEDA CON CONEXIONS		1				X
35	8-10814A	REVOLVING MANIFOLD FITTINGS KIT	KIT RACORDEMENT DISTRIBUTEUR TOURNANT	JUARNICIÓN OR		1				X
36	EAK0330G28A	HOSES KIT FOR GT NOZZLES	KIT TUYAUX POUR BUSES GT	KIT RACORES DISTRIBUIDOR GIRATORIC		1				X
39	EAK0317G09A	HOSES KIT FOR 24" TURNABLES	KIT TUYAUX POUR AUTO-CENTRANT 24"	KIT TUBOS PARA BOQUILLAS GT		1				X
40	EAK0317G08A			KIT TUBOS PARA AUTOCENTRANTE 24"		1				X



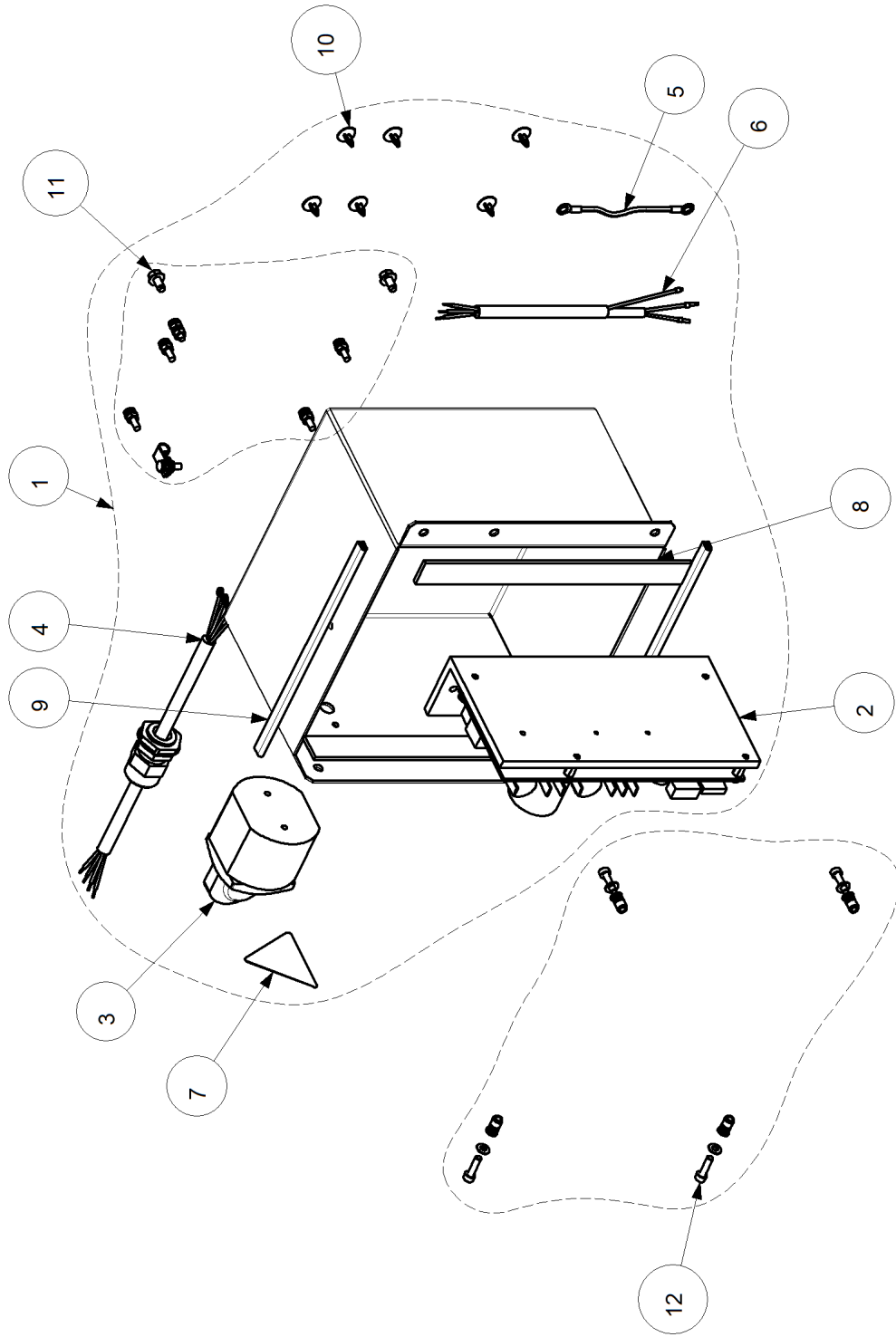
POS.	CODE	DESIGNATION	DESIGNATION	DESIGNACION	N.	Note	A	B	C
1	EAA0409G88A	12-26" TURN TABLE CENTRE TYPE GT	AUTOCENTRANT 12-26" CONV.CENT. GT	AUTOCENTRADOR 12-26" CONV.CENT. GT	1		X	X	X
2	EAS2153G40A	PLATE- TURNABLE CENTRAL 20"	BRIDE AUTOCENTRANTE CEN 20"	BRIDA AUTOCENTRANTE CEN 20"	1				X
3	EAM0043G15A	GUIDE, 26" SLIDING JAWS	GUIDE ETAU MOBILE 26" CENTRE	GUÍA MORS. CORRED. 26" C/CENTRO	1				X
4	EAM0043G44A	SPACER CLAMP 26"	ENTRETOISE ETAU 26"	DISTANCIADOR ABRAZADERA 26"	1				X
5	EAA0408G23A	ASSEMBLED SLIDING JAW C/TYPE V2	CALE COULISSANTE C/C ASSEMBLEE V2	CUÑA DESLIZANTE C/C MONTADO V2	1				X
6	EAM0086G02A	CLAMP, SLIDING W/CENTRE 26"	ETAU COULISSANT A.CENTRE 26"	ABRAZADERA CORREDERA C/CENTRO 26"	1				X
12	EAC0099G90A	PROTECTION JAWS NEW	PROTECTION ETAUX	PROTECCIÓN ABRAZADERA NUEVO ST.	1				X
13	1-36109A2	SCREW TBEI 5X10 8G	VIS BHC	TORNILLO TBEI	1				X
14	EAA0377G79A	BRACKET CYLINDERS	SIEGE VERINS	ESTRIBO CILINDROS	1				X
15	EAK0329G88A	SCREWS AND BOLTS WITH ECCENTRIC	KIT VIS AVEC EXCENTRIQUE PLAQUE BORNES	KIT TORNILLOS CON EXCÉNTRICO PLACA BORNES	1				X
16	EAK0329G89A	SCREWS AND BOLTS FOR CLAMPS	KIT VIS PLATEAU COMMANDE BORNES	KIT TORNILLOS PLACA MANDO BORNES	1				X
17	1-19509A	SCREW TCEI 10X45 8G	VIS CHC	TORNILLO TCEI	1				X
18	EAM0043G49A	PLATE, REGISTER -CLAMP	PLATEAU REGLAGE ETAU	PLATO REGLAJE GARRA	1				X
19	EAA0351G73A	CLAMPING PLATE	PLAQUE DE FIXATION	PLACA MANDO BORNES	1				X
20	EAA0410G31A	CYLINDER, TURNABLE	CYLINDRE AUTOCENTRANT	CILINDRO AUTOCENTRADOR	1				X
21	EAK0317G36A	SEAL SP FOR ROUND CYLINDER	KIT PIECE DE RECHANGE JOINTS CYLINDRES ROND	KIT RACORES CILINDROS REDONDOS	1				X
22	EAK0330G35A	TT CYLINDER FITTINGS KIT	KIT RACCORDS CYLINDRE AUTOCENTRANT	KIT RACORES CILINDRO AUTOCENTRADOR	1				X
24	EAK0306G27A	SCREWS AND BOLTS FOR TURNABLE CYL.	KIT VIS VERINS AUTOCENTRANT	KIT TORNILLOS CILINDROS AUTOCENTRADOR	1				X
25	EAM0051G85A	SUPPORT,RING	BAGUE DE SOUTIEN	ARANDELA DE SOPORTE	1				X
26	1-18677A	RING- STOP D.60	ANNEAU D'ARRET	ANILLO DE PARO PARA ÁRBOL D.60	1				X
27	EAK0330G32A	GT SYSTEM FITTINGS KIT	KIT RACCORDS SYSTEME GT	KIT CONEXIONES SISTEMA GT	1				X
30	1-25952A	PIN DOWEL 5x10 UNI EN 28734	GOUPILLE	PASADOR	1				X
31	EAK0306G25A	TURNABLE FIXING KIT	KIT RACCORDEMENT AUTOCENTRANT	KIT CONEXIÓN AUTOCENTRADOR	1				X
32	EAA0304G69A	REVOLVING MANIFOLD, TUBELESS INFLATOR	DISTRIBUTEUR TOURNANT GT	DISTRIBUIDOR GIRATORIO GT	1				X
33	EAA0338G76A	RING, OUTER - MANIFOLD	COLLIER EXTERIEUR COLLECTEUR	ARO EXTERIOR COLECTOR	1				X
34	EAA0338G27A	RING-INSIDE, WITH SUPPORTS	COLLIER INTERIEUR AVEC ROULEMEN	RUEDA CON CONEXIÓN	1				X
35	8-10814A	SEAL OR D.69.44X3.53	JOINT TORIQUE	JUARNICIÓN OR	1				X
36	EAK0330G28A	REVOLVING MANIFOLD FITTINGS KIT	KIT RACCORDEMENT DISTRIBUTEUR TOURNANT	KIT RACORES DISTRIBUIDOR GIRATORIO	1				X
39	EAK0317G09A	HOSES KIT FOR GT NOZZLES	KIT TUYAUX POUR BUSES GT	KIT TUBOS PARA BOQUILLAS GT	1				X
40	EAK0317G08A	HOSES KIT FOR 24" TURNABLES	KIT TUYAUX POUR AUTO-CENTRANT 24"	KIT TUBOS PARA AUTOCENTRANTE 24"	1				X
41	EAA0458G97A	ANTI ENTRAPMENT PROTECTION KIT, 26"	KIT PROTECTION	KIT PROTECCIÓN	1				X



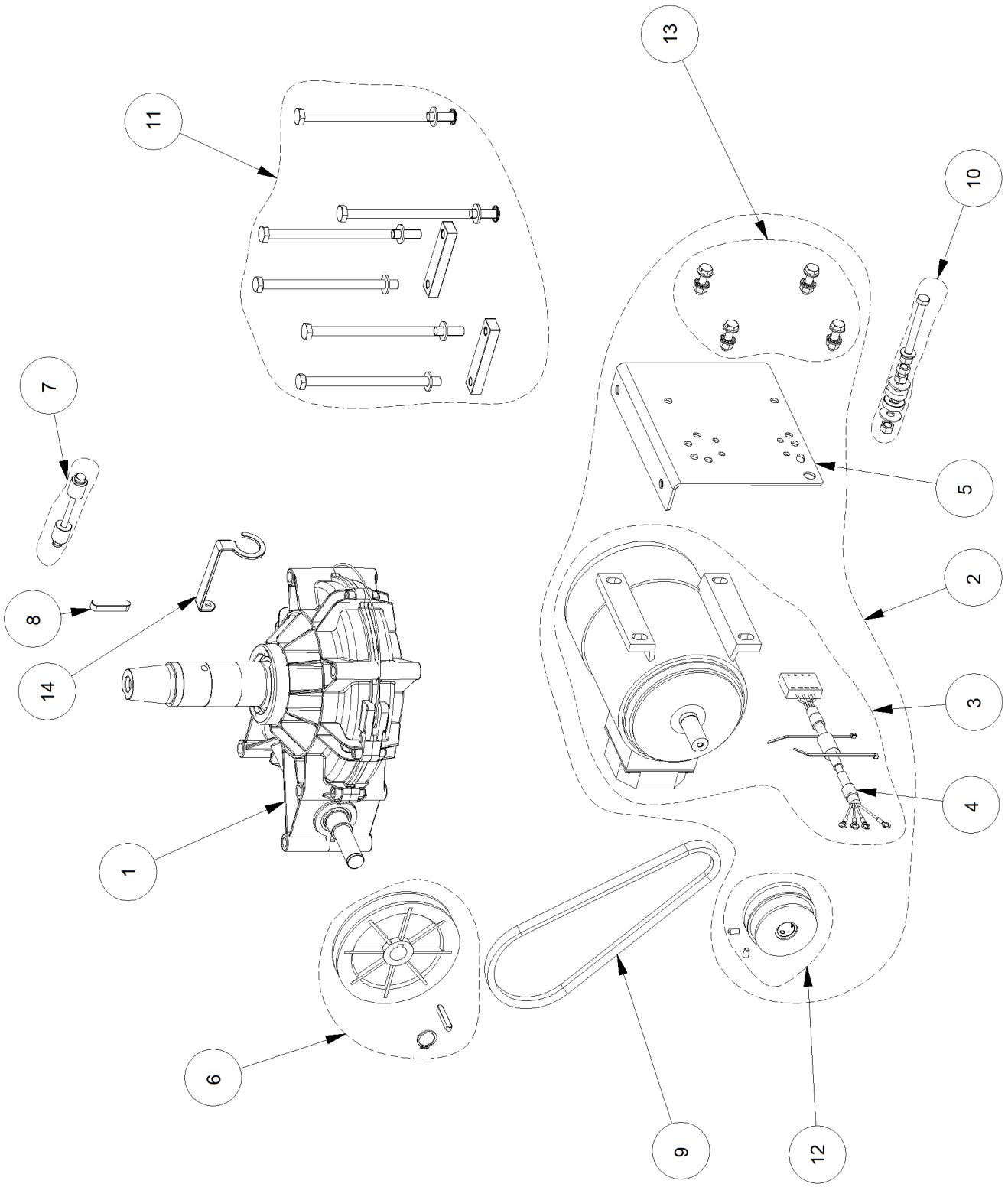


POS.	CODE	DESIGNATION	DÉSIGNATION	DESIGNACIÓN	N.	Note	Note	A	B	C
1	EAA0409G88A	12-26" TURN TABLE CENTRE TYPE GT	AUTOCENTRANT 12-26" CONV.CENT. GT	AUTOCENTRADOR 12-26" CONV.CENT. GT	1					X
2	EAS2153G40A	PLATE- TURNTABLE,CENTRAL 20"	BRIDE AUTOCENTRANTE CEN 20"	BRIDA AUTOCENTRANTE CEN 20"	1					X
3	EAM0043G15A	GUIDE, 26" SLIDING JAWS	GUIDE ETAU MOBILE 26" CENTRE	GUIA MORS. CORRED. 26" C/CENTRO	1					X
4	EAM0043G44A	SPACER CLAMP 26"	ENTRETOISE ETAU 26"	DISTANCIADOR ABRAZADERA 26"	1					X
5	EAA0408G23A	ASSEMBLED SLIDING JAW C/TYPE V2	CALE COULISSANTE C/C ASSEMBLEE V2	CUÑA DESLIZANTE C/C MONTADO V2	1					X
6	EAM0086G02A	CLAMP, SLIDING W/CENTRE 26"	ETAU COULISSANT A.CENTRE 26"	ABRAZADERA CORREDERA C/CENTRO 26"	1					X
12	EAC0099G90A	PROTECTION JAWS NEW	PROTECTION ETAUX	PROTECCIÓN ABRAZADERA NUEVO ST.	1					X
13	1-36109A2	SCREW TBEI 5X10.8G	VIS BHC	TORNILLO TBEI	1					X
14	EAA0377G79A	BRACKET CYLINDERS	SIEGE VERINS	ESTRIBO CILINDROS	1					X
15	EAK0329G88A	SCREWS AND BOLTS WITH ECCENTRIC	KIT VIS AVEC EXCENTRIQUE PLAQUE BORNES	KIT TORNILLOS EXCÉNTRICO PLACA BORNES	1					X
16	EAK0329G89A	SCREWS AND BOLTS FOR CLAMPS	KIT VIS PLATEAU COMMANDE BORNES	KIT TORNILLOS PLACA MANDO BORNES	1					X
17	1-19509A	SCREW TCEI 10X45.8G	VIS CHC	TORNILLO TCEI	1					X
18	EAM0043G49A	PLATE, REGISTER -CLAMP	PLATEAU REGLAGE ETAU	PLATO REGLAJE GARRA	1					X
19	EAA0351G73A	CLAMPING PLATE	PLAQUE DE FIXATION	PLACA MANDO BORNES	1					X
20	EAA0410G31A	CYLINDER, TURNTABLE	CYLINDRE AUTOCENTRANT	CILINDRO AUTOCENTRADOR	1					X
21	EAK0317G36A	SEAL SP FOR ROUND CYLINDER	KIT PIECE DE RECHANGE JOINTS CYLINDRES ROND	KIT RACORES CILINDRO AUTOCENTRADOR	1					X
22	EAK0330G35A	TT CYLINDER FITTINGS KIT	KIT RACCORDS CYLINDRE AUTOCENTRANT	KIT RACORES CILINDRO AUTOCENTRADOR	1					X
24	EAK0306G27A	SCREWS AND BOLTS TURNTABLE CYL.	KIT VIS VERINS AUTOCENTRANT	KIT TORNILLOS CILINDROS AUTOCENTRADOR	1					X
25	EAM0051G85A	SUPPORT,RING	BAGUE DE SOUTIEN	ARANDELA DE SOPORTE	1					X
26	1-18677A	RING- STOP D.60	ANNEAU D'ARRET	ANILLO DE PARO PARA ÁRBOL D.60	1					X
27	EAK0330G32A	GT SYSTEM FITTINGS KIT	KIT RACCORDS SYSTEME GT	KIT CONEXIONES SISTEMA GT	1					X
30	1-25952A	PIN DOWEL 5x10 UNI EN 28734	GOUPILE	PASADOR	1					X
31	EAK0306G25A	TURNTABLE FIXING KIT	KIT RACCORDEMENT AUTOCENTRANT	KIT CONEXIÓN AUTOCENTRADOR	1					X
32	EAA0338G80A	MANIFOLD- REVOLVING	COLLECTEUR TOURNANT GT CC	COLLECTOR ROTATIVO	1					X
33	EAA0338G76A	RING,OUTER - MANIFOLD	COLLIER EXTERIEUR COLLECTEUR	ARO EXTERIOR COLECTOR	1					X
34	EAA0338G78A	COLLECTOR ASSY - INSIDE RING	BAGUE INTERNE COLLECT.ASSEMBLE	ARGOLLA INTERNA COLECTOR ASEMBL	1					X
35	8-10814A	SEAL OR D.69.44X3.53	JOINT TORIQUE	JUARNICIÓN OR	1					X
36	EAK0330G28A	REVOLVING MANIFOLD FITTINGS KIT	KIT RACCORDEMENT DISTRIBUTEUR TOURNANT	KIT RACORES DISTRIBUIDOR GIRATORIO	1					X
39	EAK0317G09A	HOSES KIT FOR GT NOZZLES	KIT TUYAUX POUR BUSES GT	KIT TUBOS PARA BOQUILLAS GT	1					X
40	EAK0317G08A	HOSES KIT FOR 24" TURNTABLES	KIT TUYAUX POUR AUTO-CENTRANT 24"	KIT TUBOS PARA AUTOCENTRANTE 24"	1					X
41	EAA0458G97A	ANTI ENTRAPMENT PROTECTION KIT, 26"	KIT PROTECTION	KIT PROTECCION	1					X

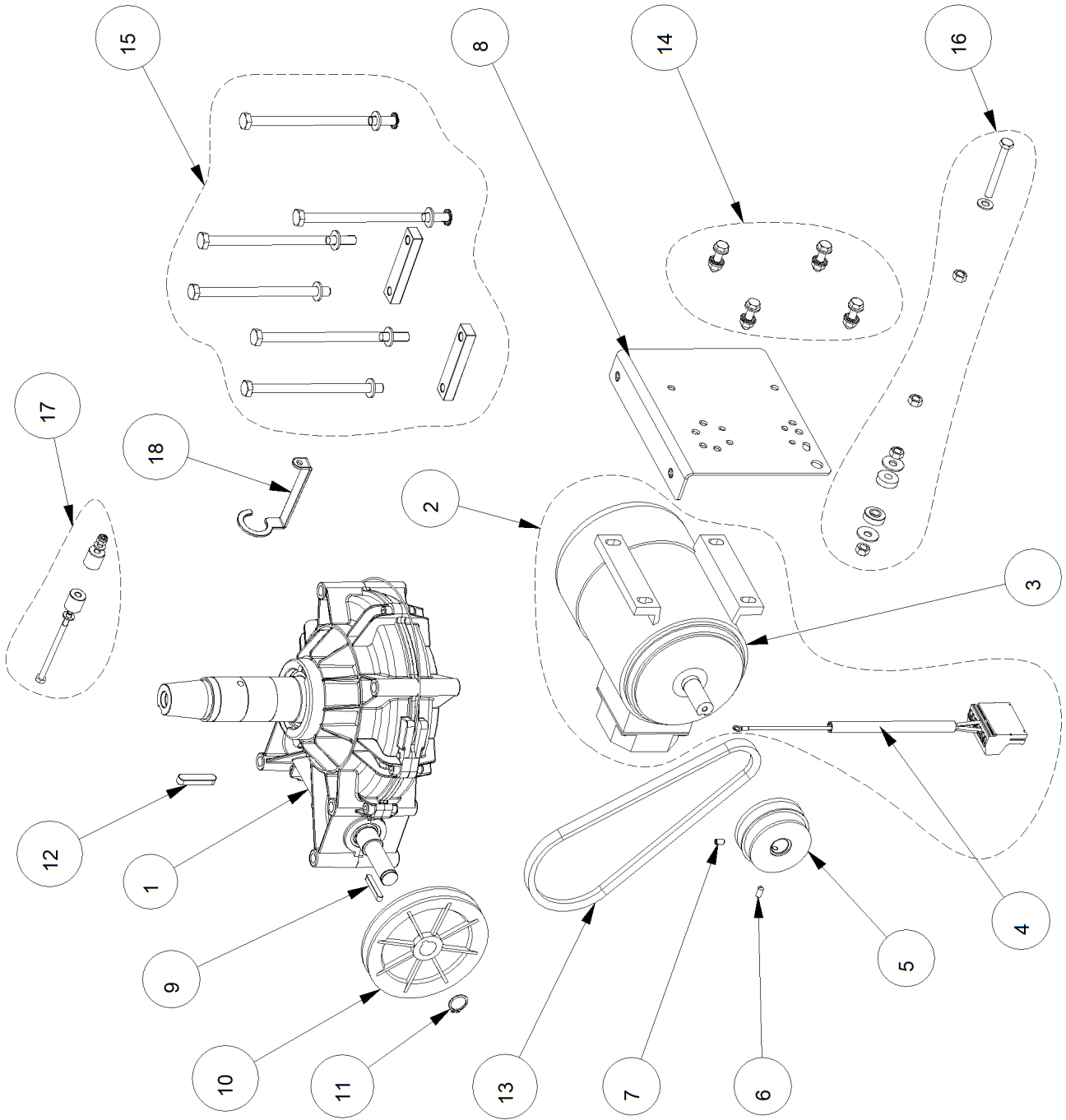




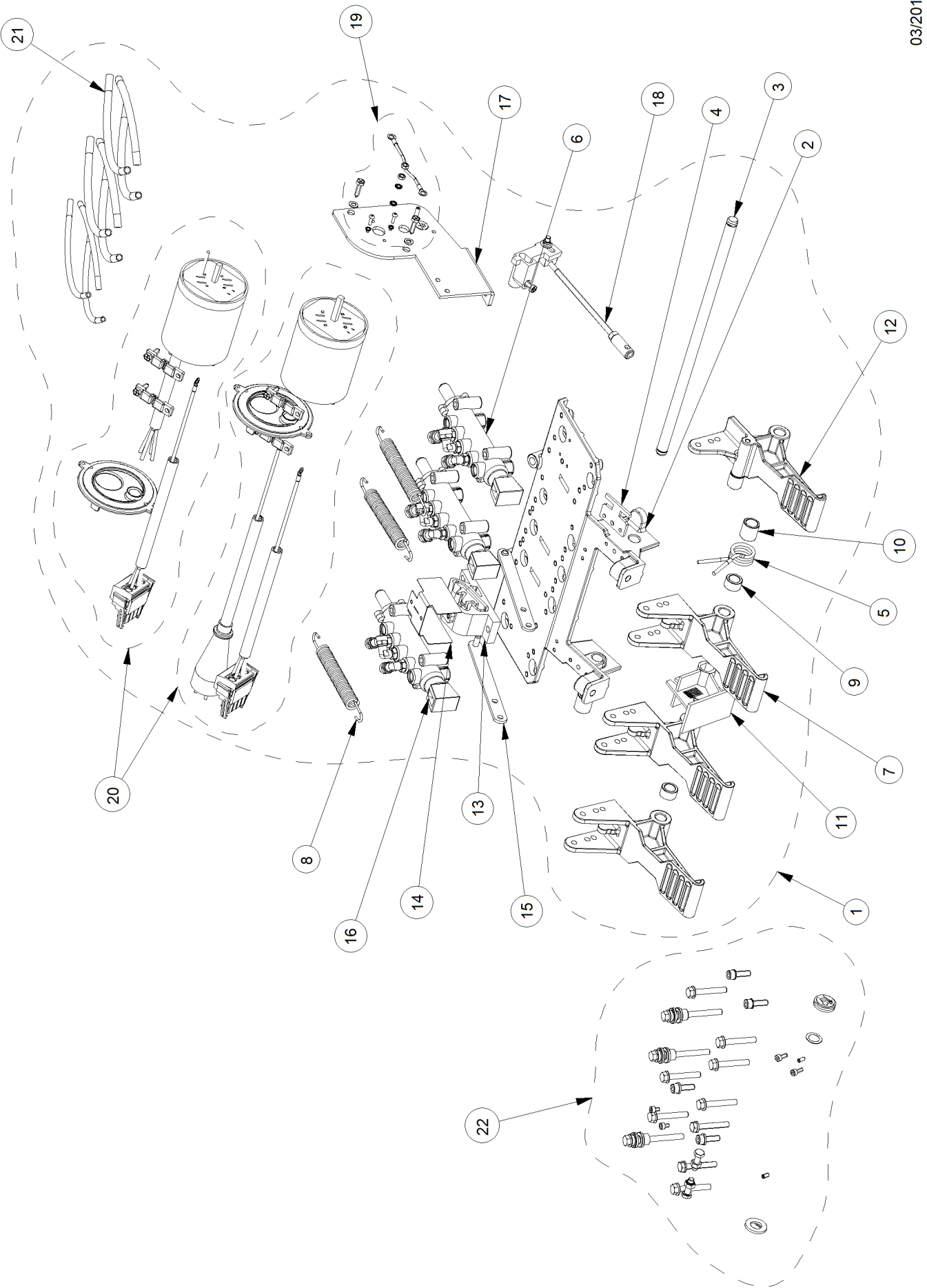
POS.	CODE	DESIGNATION	DÉSIGNATION	DESIGNACIÓN	N.	Note	A	B	C
1	EAA0457G19A	INVERTER BOX ASSY WITH ENHANC.POTEN.	ENSEMBLE BOITE CONVERTISSEUR POTENTIOMETRE ÉVOLUÉ	GRUPO CAJA INVERSOR POTENCIÓMETRO EVOLUCIONADO	1	USA			X
1	EAA0383G04A	INVERTER BOX ASSY	ENSEMBLE BOITE CONVERTISSEUR	GRUPO CAJA INVERSOR	1				X
2	EAA0440G49A	INVERTER FOR ENHANCED POTENTIOMETER	VARIATEUR POUR POTENTIOMETRE ÉVOLUÉ	INVERTER POTENCIÓMETRO EVOLUCIONADO	1			X	
3	EAA0438G01A	IVERTER VER.B WITH HEATSINK	CONVERTISSEUR VER.B AVEC DISSIPATEUR	INTERRUPTOR VER. B CON DISIPADOR	1	SW 1.8.2			
3	2-14861A	BIPOLAR POWER SWITCH	INTERRUPTEUR BIPOLAIRE 25A	INTERRUPTOR BIPOLAR 25A	1			X	
4	EAW0282G20A	CSA MAINS CABLE	CABLE ALIMENTATION CSA	CABLE ALIMENTACIÓN CSA	1			X	
5	EAW0282G22A	CABINET GROUNDING CABLE	CABLE DE TERRE BATI	CABLE DE TIERRA CAJA	1			X	
6	EAW0282G23A	MAIN SWITCH-INVERTER CABLE	CABLE CONVERTISSEUR-INTERRUPTEUR	CABLE INVERSOR-INTERRUPTOR	1			X	
7	8-23562A	STICKER, DANGER VDE	PLAQUETTE DANGER VDE	TARJETA PELIGRO	1			X	
8	EAM0087G08A	AUTO ADHESIVE SEALING 3x20	JOINT CAOUTCHOUC 3X20	JUNTA GOMA EXPANDIDA 3X20	1				X
9	EAM0087G09A	U PROFILE 2 mm RUBBER GASKET	JOINT CAOUTCHOUC EN "U" 2mm	JUNTA EN "U" DE GOMA 2 mm	1				X
10	1-12176A	PLUG BLACK NYLON	BOUCHON NYLON NOIR	TAPON NYLON NEGRO	1				X
11	EAK0306G08A	BOLTS AND SCREWS FOR INVERTER BOX	KIT VIS BOITE CONVERTISSEUR	KIT TORNILLOS CAJA INVERSOR	2			X	
12	EAK0306G07A	KIT FOR INVERTER BOX	KIT FIXATION BOITE CONVERTISSEUR	KIT FIJACIÓN CAJA INVERSOR	2			X	



POS	CODE	DESIGNATION	DESIGNATION	DESIGNATION	N	Note	A	B	C
1	EAA0457G27A	GEARBOX	REDUCTEUR	REDUCTOR	1				X
2	NOT AVAILABLE	NOT AVAILABLE	NOT AVAILABLE	NOT AVAILABLE					
3	EAA0410G01A	HIGH SPEED MOTOR W/CABLE FOR INVERTER	MOTEUR AVEC CABLE POUR ONDULEUR HS	MOTOR CON CABLE PARA INVERTER HS	1				X
3	EAA0438G64A	HIGH SPEED MOTOR W/CABLE 200V	MOTEUR 200V POUR ONDULEUR HS	MOTOR CON CABLE PARA INVERTER HS	1				X
3	EAA0371G78A	1PH 115V RIGHT MOTOR CABLE ASM	GROUPE CABLE MOTEUR 1F 115V D	GRUPO CABLE MOTOR 1F 115V DER.	1				X
4	EAW0282G99A	MOTOR CABLE WITH CONNECTOR	CABLE MOTEUR AVEC CONNECTEUR	CABLE MOTOR CON CONNECTOR	1				X
4	EAW0277G10A	1PH 115V MOTOR CABLE	CABLE MOTEUR 1F 115VAC	CABLE MOTOR 1F 115VCA	1				X
5	EAS2029J69A	MOTOR SUPPORT	SUPPORT MOTEUR	SOPORTE MOTOR	1				X
6	EAK0306G14A	REDUCTION UNIT PULLEY KIT	KIT POULIE REDUCTEUR	KIT POLEA REDUCTOR	1				X
7	EAK0279G67A	ANTIROTATION KIT	KIT ANTIROTATION	KIT ANTIROTACIÓN	1				X
8	1-1572	KEY-10x8x45	LANGUETTE	LENGUETA	1				X
9	EAC0099G95A	BELT, A27	COURROIE A27	CORREA A27	1				X
9	EAC0078G58A	V BELT, A-26	COURROIE A-26	CORREA A-26	1				X
10	EAK0279G66A	BELT TIGHTENER KIT	KIT TENDEUR-COURROIE	KIT TENSOR DE CORREA	1				X
11	EAK0279G65A	SCREWS KIT FOR GEARBOX	KIT VIS REDUCTEUR	KIT TORNILLOS REDUCTOR	1				X
12	EAK0306G15A	MOTOR PULLEY KIT	KIT POULIE MOTEUR	KIT POLEA MOTOR	1				X
12	EAM0116G32A	PULLEY DP=2" HOLE D.5/8"	POULIE MOTEUR DP=2" - ORIF. D.5/8"	POLEA MOTOR DP=2" - ORIFICIO D.5/8"	1				X
13	EAK0279G64A	SCREWS KIT FOR MOTOR	KIT VIS MOTEUR	KIT TORNILLOS MOTOR	1				X
14	EAS2140G91A	SUPPORT FOR REV. MANIFOLD HOSES	SOUTIEN POUR LES TUYAUX RENOUEVELABLE MANIFOLD	APOYO A GIRATORIO MANGUERAS COLECTOR	1				X

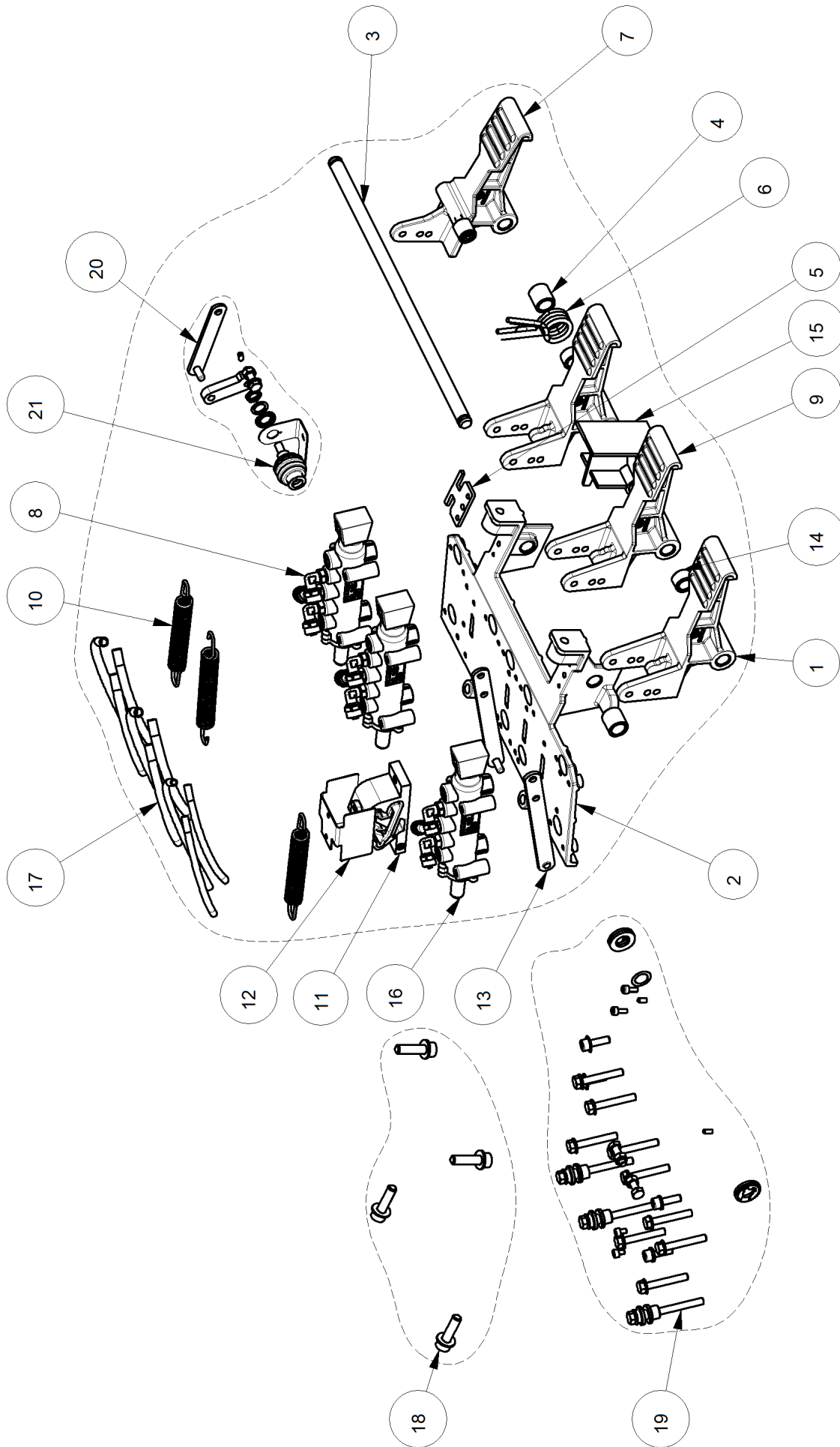


POS.	CODE	DESIGNATION	DÉSIGNATION	DESIGNACIÓN	N.	Note	Note	A	B	C
1	EAA0382G23A	GEARBOX	REDUCTEUR	REDUCTOR	1		20" only			X
2	EAA0371G78A	1PH 115V RIGHT MOTOR CABLE ASM	GRUPE CABLE MOTEUR 1F 115V D	GRUPO CABLE MOTOR 1F 115V DER.	1					X
2	EAA0371G79A	1PH 115V LEFT MOTOR CABLE ASM	GRUPE CABLE MOTEUR 1F 115V G	GRUPO CABLE MOTOR 1F 115V IZQ.	1					X
2	EAA0371G80A	1PH 230V MOTOR CABLE ASM	GRUPE MOTEUR CABLE 1F 230V	GRUPO MOTOR CABLE 1F 230V	1					X
2	EAA0371G81A	3PH 200V 2SPEED MOTOR CABLE ASM	GR. MOTEUR CABLE 3F 200V 2VIT.	GRUPO MOTOR CABLE 3F 200V 2VELOC.	1					X
2	EAA0371G82A	3PH 230V 2SPEED MOTOR CABLE ASM	GR. MOTEUR CABLE 3F 230V 2VIT.	GRUPO MOTOR CABLE 3F 230V 2VELOC.	1					X
2	EAA0371G83A	3PH 400V 2SPEED MOTOR CABLE ASM	GR. MOTEUR CABLE 3F 400V 2VIT.	GRUPO MOTOR CABLE 3F 400 V 2VELOC.	1					X
2	EAA0371G84A	3PH 230V MOTOR CABLE ASM	GRUPE MOTEUR CABLE 3F 230V	GRUPO MOTOR CABLE 3F 230V	1					X
2	EAA0371G85A	3PH 400V MOTOR CABLE ASM	GRUPE MOTEUR CABLE 3F 400V	GRUPO MOTOR CABLE 3F 400V	1					X
3	2-54566A	MOTOR SINGLE PHASE 115V DX	MOTEUR 1F 115V DROIT	MOTOR 1F 115V DER.	1					X
3	2-53066A	MOTOR 3PH 0,75 kW 1PS 220-380V-50Hz	MOTEUR 3ph 220-380V-50Hz-Hp1	MOTOR 3ph 220-380V-50Hz-Hp1	1					X
3	2-60366A	MOTOR 0.8/1.1KW 3PH 2/4P 400V 50HZ	MOTEUR 0.8/1.1KW 3F 2/4P 400V 50HZ	MOTOR 0.8/1.1KW 3F 2/4P 400V 50HZ	1					X
3	2-60466A	MOTOR 0.8/1.1KW 3PH 2/4P 230V 50HZ	MOTEUR 0.8/1.1KW 3F 2/4P 230V 50HZ	MOTOR 0.8/1.1KW 3F 2/4P 230V 50HZ	1					X
3	EAA0350G22A	MOTOR SINGLE PHASE 230-50Hz-HP1	MOTEUR MONOPHASE 230-1-50-HP1	MOTOR MONOFASICO 230V 50Hz-HP1	1					X
3	2-60266A	MOTOR 0.8/1.1KW 3PH 2/4P 200V 50HZ	MOTEUR 0.8/1.1KW 3F 2/4P 200V 50HZ	MOTOR 0.8/1.1KW 3F 2/4P 200V 50HZ	1					X
4	EAW0277G22A	3PH 400V MOTOR CABLE	CABLE MOTEUR 3F 400V	CABLE MOTOR 3F 400V	1			ORANGE		X
4	EAW0277G38A	115VAC MOTOR CABLE (ORANGE)	CABLE MOTEUR 115VAC (ORANGE)	CABLE MOTOR 115VCA (NARANJA)	1			BLACK		X
4	EAW0277G10A	1PH 115V MOTOR CABLE	CABLE MOTEUR 1F 115VAC	CABLE MOTOR 1F 115VCA	1					X
4	EAW0277G12A	1PH 230V MOTOR CABLE	CABLE MOTEUR 1F 230V	CABLE MOTOR 1F 230V	1					X
4	EAW0277G14A	3PH 200V 2SPEED MOTOR CABLE	CABLE MOTEUR 3F 200V 2VIT.	CABLE MOTOR 3F 200V 2VELOC.	1					X
4	EAW0277G16A	3PH 230V 2SPEED MOTOR CABLE	CABLE MOTEUR 3F 230V 2VIT.	CABLE MOTOR 3F 230V 2VELOC.	1					X
4	EAW0277G18A	3PH 400V 2SPEED MOTOR CABLE	CABLE MOTEUR 3F 400V 2VIT.	CABLE MOTOR 3F 400V 2VELOC.	1					X
4	EAW0277G20A	3PH 230V MOTOR CABLE	CABLE MOTEUR 3F 230V	CABLE MOTOR 3F 230V	1					X
5	EAM0116G32A	PULLEY DP=2" HOLE D 5/8"	POULIE MOTEUR DP=2" - ORIF. D.5/8"	POLEA MOTOR DP=2" - ORIFICIO D.5/8"	1					X
5	EAM0043G99A	PULLEY, DOUBLE	POULIE DOUBLE	POLEA DOBLE	1					X
6	1-50410A	SCREW STEI 6X12 12K BR	VIS FHc	TORNILLO STEI	1			6X12		X
7	1-48910A	SCREW	VIS	TORNILLO	1			6X10		X
8	EAS2131G28A	MOTOR SUPPORT	SUPPORT MOTEUR	SOPORTE MOTOR	1					X
8	EAS2109G06A	SUPPORT- MOTOR	SUPPORT MOTEUR	SOPORTE MOTOR	1					X
9	1-772	KEY-6X6X40	LANGUETTE	LENGUETA	1					X
10	EAM0153G58A	PULLEY-DRIVE, PLASTIC	POULIE	POLEA	1					X
10	EAM0125G94A	PULLEY	POULIE	POLEA	1					X
11	1-18577A	RING-SNAP,SHAFT d.19	BAGUE DE BUTEE,AXE d.19	ANILLO DE PARO PARA EJES D.19	1					X
12	1-1572	KEY-10x8x45	LANGUETTE	LENGUETA	1					X
13	EAC0078G58A	V BELT, A-26	COURROIE A-26	CORREA A-26	1					X
13	EAC0100G52A	BELT A29	COURROIE A29	CORREA A29	1					X
13	EAC0099G95A	BELT, A27	COURROIE A27	CORREA A27	1					X
14	EAK0279G63A	SCREWS KIT FOR 1PHASE MOTOR	KIT VIS MOTEUR MONOPHASE	KIT TORNILLOS MOTOR MONOFÁSICO	1					X
14	EAK0279G64A	SCREWS KIT FOR MOTOR	KIT VIS MOTEUR	KIT TORNILLOS MOTOR	1					X
15	EAK0279G65A	SCREWS KIT FOR GEARBOX	KIT VIS REDUCTEUR	KIT TORNILLOS REDUCTOR	1					X
16	EAK0279G66A	BELT TIGHTENER KIT	KIT TENDEUR-COURROIE	KIT TENSOR DE CORREA	1					X
17	EAK0279G67A	ANTIROTATION KIT	KIT ANTIROTATION	KIT ANTIROTACIÓN	1					X
18	NOT AVAILABLE	NOT AVAILABLE	NOT AVAILABLE	NOT AVAILABLE	1					X



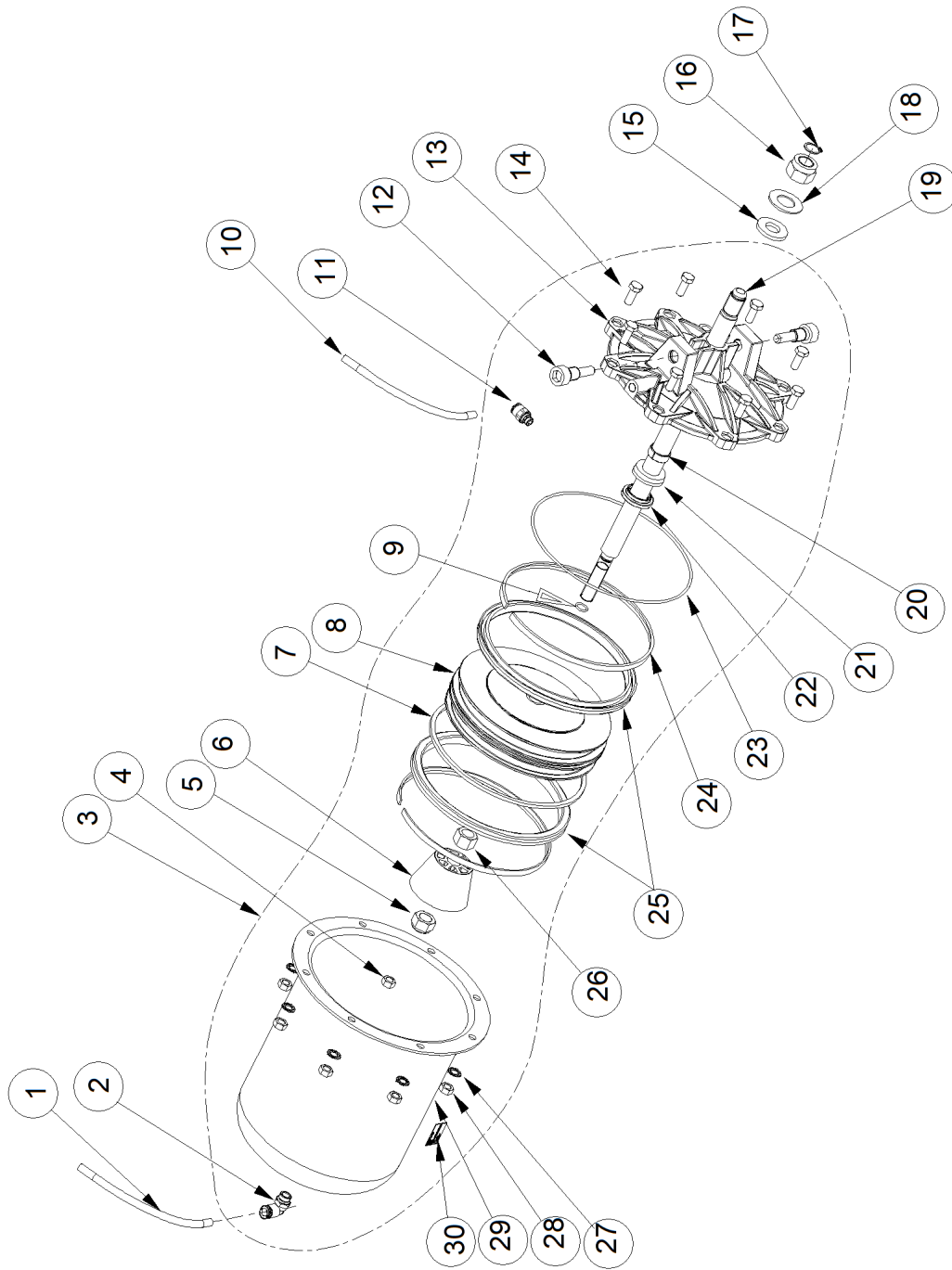


POS/	CODE	DESIGNATION	DESIGNATION	DESIGNATION	N	Note	Note	A	B	C
1	EAA0370G78A	FOOT PEDAL ASM 4P 1PH 230V	GROUPE JEU DE 4P 1PH 230V	JUEGO DE PEDALES 4P 1F 230V	1	UK				X
1	EAA0370G79A	FOOT PEDAL ASM 4P 3PH 230V	GROUPE JEU DE 4P 3PH 230V	JUEGO DE PEDALES 4P 3F 230V	1	CE				X
1	EAA0370G80A	FOOT PEDAL ASM 4P 3PH 230V	GROUPE JEU DE 4P 3PH 230V	JUEGO DE PEDALES 4P 3F 230V	1	AUS				X
1	EAA0370G81A	FOOT PEDAL ASM 4 PEDALS 3PH 400V	GROUPE JEU DE 4P 3PH 400V	JUEGO DE PEDALES 4P 3F 400V	1					X
1	EAA0370G82A	FOOT PEDAL ASM 4P 3PH 400V	GROUPE JEU DE 4P 3PH 400V	JUEGO DE PEDALES 4P 3F 400V	1	CE				X
1	EAA0370G83A	FOOT PEDAL ASM 4P 3PH 400V	GROUPE JEU DE 4P 3PH 400V	JUEGO DE PEDALES 4P 3F 400V	1	AUS				X
1	EAA0370G84A	FOOT PEDAL ASM 4P 1PH 115V	GROUPE JEU DE 4P 1PH 115V	JUEGO DE PEDALES 4P 1F 115V	1	US				X
1	EAA0370G85A	FOOT PEDAL ASM 4P 1PH 230V	GROUPE JEU DE 4P 1PH 230V	JUEGO DE PEDALES 4P 1F 230V	1					X
1	EAA0370G86A	FOOT PEDAL ASM 4 PEDALS 3PH 230V	GROUPE JEU DE 4P 3PH 230V	JUEGO DE PEDALES 4P 3F 230V	1					X
2	EAM0068G80A	PEDAL ASM SUPPORT - MACHINED	SUPPORT JEU PÉDALES - USINÉ	SOPORTE JUEGO DE PEDALES - MECANIZADO	1					X
3	EAM0068G10A	SHAFT-HINGE, PEDAL	PIVOT PEDALES	EJE PEDALES	1					X
4	EAM0070G32A	COMMUTATOR SPRING GUIDE	GUIDE RESSORT INVERSEUR	GUÍA MUELLE INVERTIDOR	1					X
5	EAM0048G78A	SPRING, PEDAL SWITCH	RESSORT, PEDAL INTERRUPTEUR	MUELLE PEDAL INTERRUPTOR	1					X
6	EAA0356G94A	VALVE BEAD-BREAKER	VALVE DÉTALONNEUR	VÁLVULA DESTALONADOR	2					X
7	EAM0068G95A	STANDARD PEDAL - MACHINED	PEDAL STD.	PEDAL STD - MECANIZADO	3					X
8	EAM0147G64A	SPRING RECALL PEDALS	RESSORT RETOUR PEDALES	MUELLE DE RETORNO PEDALES	3					X
9	EAM0070G46A	SPACER L=11 mm	ENTRETOISE L=11 mm	DISTANCIADOR L=11 mm	2					X
10	EAM0048G79A	BUSHING, CENTERING- SPRING	COQUILLE SIEGE RESSORT	CASQUILLO CENTRADO MUELLE	1					X
11	EAC0096G11A	SPACER-PEDAL	ENTRETOISE PÉDALES ST.1113/2	DISTANCIADOR PEDALES	1					X
12	EAA0356G92A	RIGHT SWITCH FOOT PEDAL	PEDALE INTERRUPTEUR DROIT	PEDAL INTERRUPTOR DER.	1					X
13	EAC0096G29A	CAM FOR PEDAL B	CAME PEDALE	LEVA PEDAL	1					X
14	EAS2115G09A	PROTECTION SHEET FOR CAM	TOLE PROTECTION CAME	CHAPA PROTECCIÓN EXCENTRICO	1					X
15	EAS2111G73A	ROD POSITIONER PEDAL	BIELLE POSITIONNEMENT PEDALE	BIELA DE POSICIONAMIENTO PEDAL	2					X
16	EAA0356G96A	TURNTABLE/ TILTING VALVE	SOUPAPE POUR TUBES D.4X6	VÁLVULA PARA TUBOS D.4X6	1					X
17	EAA0394G63A	2S SWITCH SUPPORT ASM	SUPPORT INTERRUPTEUR 2S D	GRUPO SOPORTE INTERRUPTOR 2S DER	1					X
18	EAA0347G61A	ROD, REGISTER-REVERSING GEAR	BIELLE COMMANDE INVERSEUR	BIELA COMANDO INVERSOR	1					X
19	EAK0279G40A	NUTS/BOLTS FOR SWITCH	KIT VIS FIXATION INVERSEUR	KIT TORNILLOS CONEXIÓN INTERRUPTOR	1					X
20	EAA0394G30A	3 PH 230V SWITCH-CABLE ASSY W/O PLUG	GR. CABLE-INVERSEUR 3F 230V SANS BROCHE	GR. CABLE-INVERSOR 3F 230V SIN PASADOR	1					X
20	EAA0394G31A	3 PHASE 230V SWITCH-CABLE ASSY WITH PLUG	GR. CABLE-INVERSEUR TRIPHASE 230V AVEC SP	GR. CABLE-INVERSOR TRIFASE 230V CON PAS	1					X
20	EAA0394G32A	3 PH 230V SWITCH-CABLE ASSY PLUG AUS	GR. CABLE-INVERSEUR 3F 230V BROCHE AUS	GR. CABLE-INVERSOR 3F 230V PASADOR AUS	1	AUS				X
20	EAA0394G33A	ASSY REVERSING SWITCH 3 PH 400V	GROUPE INVERSEUR 3PH 400V	GRUPO INVERSOR 3F. 400V	1					X
20	EAA0394G34A	ASSY REV. SWITCH 400V 3PH CE PLUG	GROUPE INVERSEUR 3PH 400V	GRUPO INVERSOR 3F. 400V	1	CE				X
20	EAA0394G35A	ASSY REV. SWITCH 3PH 400V AUS PLUG	GROUPE INVERSEUR 3PH 400V	GRUPO INVERSOR 3F. 400V	1	AUS				X
20	EAA0394G36A	1 PHASE SWITCH-CABLE ASSY. DX US	GR. CABLE-INVERSEUR MONOPHASE US DROIT	GR. CABLE-INVERSOR MONOFASE US DERECHO	1					X
20	EAA0394G38A	1 PHASE SWITCH-CABLE ASSY WITHOUT PLUG	GR. CABLE-INVERSEUR MONOPH. SANS BROCHE	GR. CABLE-INVERSOR MONOFASE SIN PASADOR	1					X
20	EAA0394G39A	1 PH 230V SWITCH-CABLE ASSY UK PLUG	GR. CABLE-INVERSEUR MONOPH. BROCHE UK	GR. CABLE-INVERSOR MONOF. PASADOR UK	1	UK				X
21	EAA0364G09A	HOSES, KIT FOOT PEDAL ASM 4P - STD	KIT TUBES PEDALIER 4P - STD	KIT TUBOS PEDAL 4P - STD	1					X
22	EAK0279G39A	NUTS/SCREWS FOR FOOT PEDAL ASM	KIT VIS JEU PÉDALES	KIT TORNILLOS JUEGO DE PEDALES	1					X



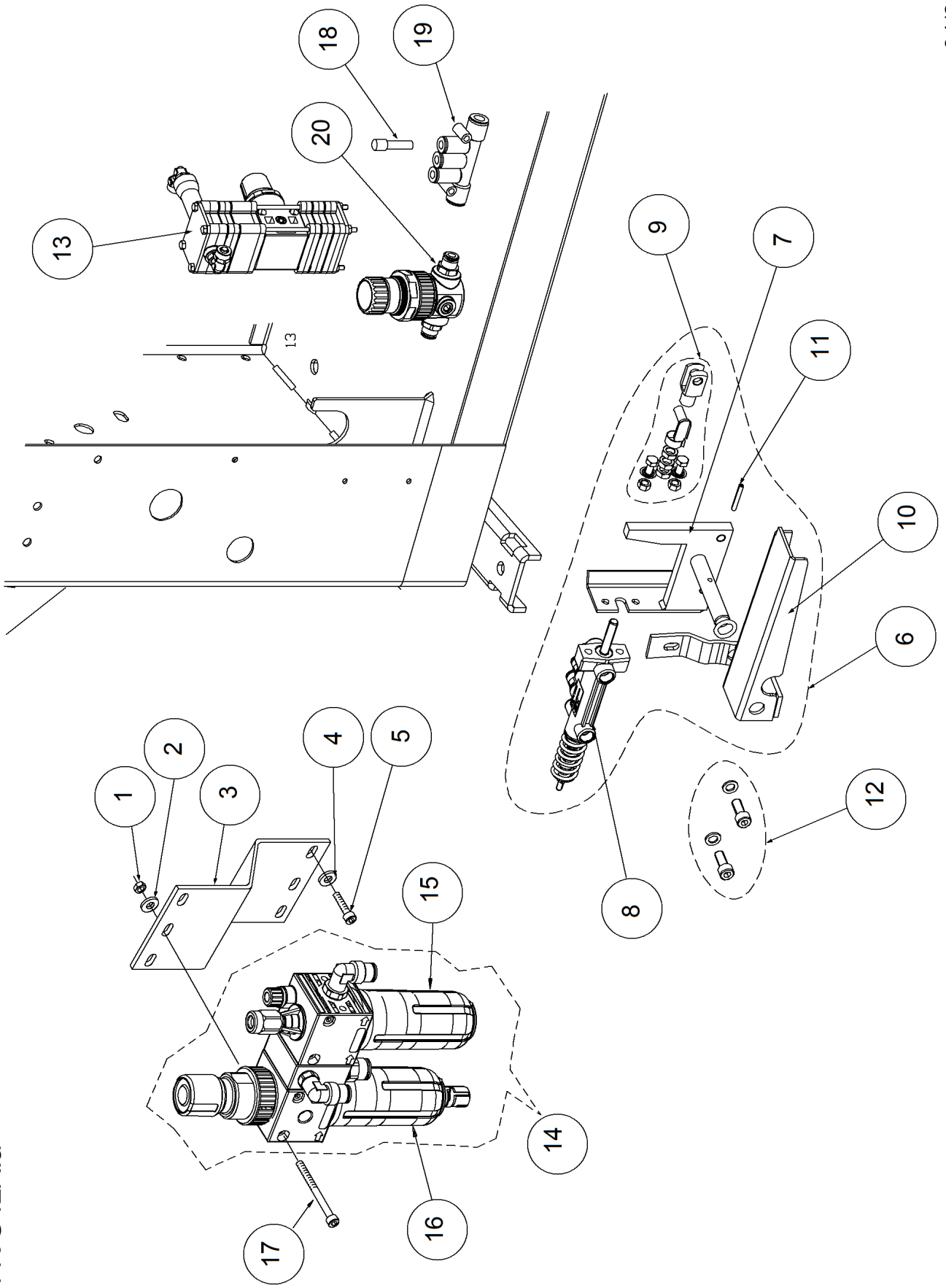
POS	CODE	DESIGNATION	DESIGNATION	DESIGNACION	N.	Note	Note	A	B	C
1	EAA0377G84A	4P CONTROL PEDAL WITH POTENTIOMETER	PEDALIER 4P AVEC POTENTIOMETRE	PEDALERA 4P CON POTENCIÓMETRO	1			X		
2	EAM0068G80A	PEDAL ASSEMBLY SUPPORT - MACHINED	SUPPORT PEDALIER	JUEGO SOPORTE PEDAL	1			X		
3	EAM0068G10A	SHAFT-HINGE, PEDAL	PIVOT PEDALES	EJE PEDALES	1			X		
4	EAM0048G79A	BUSHING, CENTERING- SPRING	DOUILLE CENTRAGE RESSORT	ARO CENTRAJE RESORTE	2			X		
5	EAM0070G32A	COMMUTATOR SPRING GUIDE	GUIDE RESSORT INVERSEUR	GUÍA MUELLE INVERSOR	1			X		
6	EAM0075G56A	SPRING, PEDAL SWITCH 2 SPEED	RESSORT PEDALE INTERRUPTEUR 2 VITESSE	MUELLE PEDAL INTERRUPTOR 2 VELOCIDADES	1			X		
7	EAA0356G92A	RIGHT SWITCH FOOT PEDAL	PEDALE INTERRUPTEUR DROIT	PEDAL INTERRUPTOR DER.	1			X		
8	EAA0356G94A	BEAD BREAKER VALVE	SOUPEPE POUR TUBES D.6X8	BEAD BREAKER VALVE	2			X		
9	EAM0068G95A	STANDARD PEDAL - MACHINED	PEDALE STD.	PEDAL STD	3			X		
10	EAM0075G91A	SPRING RECALL PEDALS	RESSORT RETOUR PEDALES	MUELLE RETORNO PEDALES	3			X		
11	EAC0103G56A	CAM FOR PEDAL B	CAME PEDALE ST.2072 B	LEVA PEDAL EST.2072 B	1			X		
12	EAS2115G09A	PROTECTION SHEET FOR CAM	TOLE PROTECTION CAME	CHAPA PROTECCION EXCENTRICO	1			X		X
13	EAS2111G73A	ROD POSITIONNER PEDAL	BIELLE POSITIONNEUR PEDALE	BIELA POSICIONADORA PEDAL	2			X		
14	EAM0070G46A	SPACER L=11 mm	ENTRETOISE L=11 mm	DISTANCIADOR L=11 mm	2			X		
15	EAC0096G11A	SPACER-PEDAL	ENTRETOISE PEDALES	ESPACIADOR PEDALES	1			X		
16	EAA0356G96A	TURNTABLE/ TILTING VALVE	SOUPEPE POUR TUBES D.4X6	VÁLVULA PARA TUBOS D.4X6	1			X		
17	EAA0364G09A	HOSES KIT FOR FOOT PEDAL ASM 4P	KIT TUBES PEDALIER 4 PEDALES - STD	KIT TUBOS PEDALERA 4 PEDALES - ESTD	1			X		
18	EAK0279G96A	CONTROL PEDALS MOUNTING KIT	KIT MONTAGE PEDALIER	KIT MONTAJE PEDALERA	1			X		
19	EAK0279G39A	NUTS/BOLTS KIT FOR FOOT PEDAL ASM	KIT VIS PEDALIER	KIT TORNILLOS PEDALERA	1			X		
20	EAK0306G09A	POTENTIOMETER KIT	KIT POTENTIOMETRE	KIT POTENCIÓMETRO	1			X		
21	EAW0282G16A	PEDAL CABLE WITH POTENTIOMETER	CABLE PEDALIER AVEC POTENTIOMETRE	CABLE PEDALERA CON POTENCIÓMETRO	1			X		

EAZ0104G83A.a



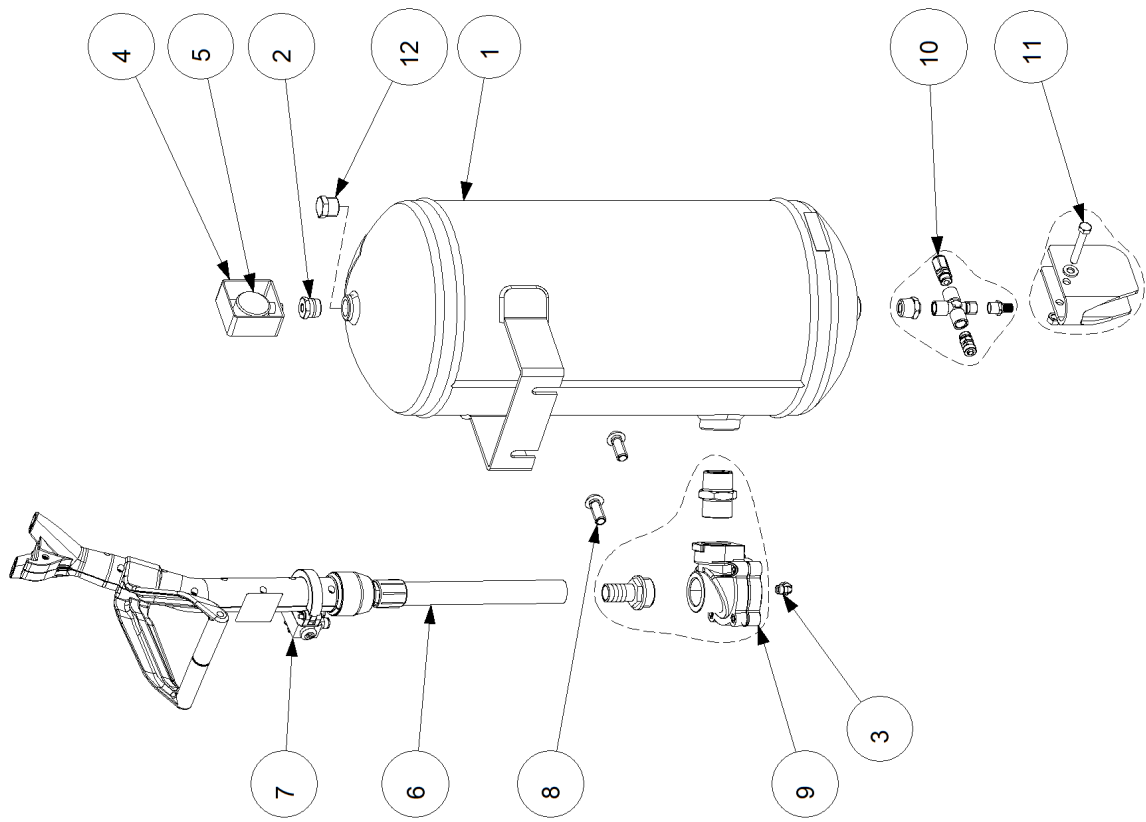
04/2018

POS	CODE	DESIGNATION	DESIGNATION	DESIGNATION	N	Note	A	B	C
1	EAM0069G97A	HOSE - AIR 6X8	TUYAU AIR 6X8	TUBO AIRE 6X8	1				X
2	1-20179A	FITTING "L" 6X8	RACCORD	CONEXION RAPIDA	1				X
3	EA00329G49A	CYLINDER, BEAD BREAKER	VERIN OUTIL DE DECOL.	CILINDRO DESTALONADOR	1				X
4	1-16433A	NUT 1/4" X 0.25" CAMOZZI 1253	ECROU	TUERCA GALVANIZADA	1				X
5	1-10433	NUT-S LOCK LOW- M14	ECROU AUTOBLOCANT M 14	TUERCA M14 AUT BAS CL.6	1				X
6	EAM0048G04A	LIMIT SWITCH RUBBER PAD	TAMPON FIN DE COURSE	ALMOHADILLA FINAL DE CARRERRA	1				X
7	EAC0078G35A	RING- PLASTIC	ANNEAU DE PROTECTION	ANILLO PATIN	1				X
8	EAC0094G40A	PISTON	PISTON	PISTON	1				X
9	8-18314A	SEAL-OR d.11	JOINT OR d.11	JUNTA OR D.11	1				X
10	EAM0069G97A	HOSE - AIR 6X8	TUYAU AIR 6X8	TUBO AIRE 6X8	1				X
11	1-11379A	FITTING-ST 6X8 1/8	RACCORD 6x8 1/8	CONEXIÓN 6x8 1/8	1				X
12	EAM0067G34A	SCREW-FITTING- CYLINDER B/BREAK	FIS FIXATION VERIN DETALONNEUR	TORNILLO FIJACIÓN CIL DESTALON	1				X
13	EAC0078G36A	END CAP-CYLINDER/BEAD BREAKER	EMBASE VERIN DETAL. AVANT	ARANDELA DEL.CIL.DESTALONADOR	1				X
14	1-32601	SCREW TE 8X20 8.8	VIS H	TORNILLO TE	1				X
15	EAM0075G25A	WASHER, FELT	RONDELLE FEUTRE	ARANDELA DE FIELTRO	1				X
16	1-20933A	NUT	ECROU	TUERCA	1				X
17	1-3977	RETAINING RING FOR SHAFTS D16 DIN471	BAGUE DE BUTEE,AXE d.16	ANILLO DE TOPE PARA EJES D16	1				X
18	EAM0075G26A	WASHER	RONDELLE	ARANDELA	1				X
19	EAM0048G07A	ROD BEAD-BREAKER CYLINDER	TIGE CYLINDRE DETALONNEUR	VARILLA CILINDRO DESTALONADOR	1				X
20	EAC0078G18A	RING FOR ROD GUIDE D.20	COURONNE REGLAGE AXE D.20	ANILLO REGLAJE BARRA D.20	1				X
21	8-09614A	SEAL, LIP I.D.20 O.D.36 TH.8 ON SHAFT	JOINT A BORD d.20	JUNTA DE LABIO D.20	1				X
22	EAC0078G10A	RETAINER-SEAL d.20	ANNEAU JOINT d.20	ANILLO FIJACIÓN JUNTA d.20	1				X
23	8-10014A	O-RING I.D.183.82X2.62	JOINT TORIQUE D.183.8*2.62	JUNTA OR D.183.82*2.62	1				X
24	EAC0078G34A	RING-PISTON, BEAD BREAKER	ANNEAU ANTI-BASCULAGE DETALON.	ANILLO ANTI-VOLQ.DESTALONADOR	1				X
25	8-10114A	SEAL - LIP N d.184	JOINT A BORD d.184	JUNTA DE LABIO d.184	1				X
26	1-20433A1	NUT-LOCK M14 6S WHITE ZINC	ECROU M14 6S	TUERCA M14 CL.8 CINCADE B.	1				X
27	1-1748	WASHER SHAKEPROOF D8 DIN 6798/AGALV.	RONDELLE DIAM 8 GALV.	ARANDELA DE D 8 GALVANIZ.	1				X
28	1-11733	NUT M8	ECROU M8 6S STAND JAUNE	TUERCA M8 6S NORM GALV.BLANCA	1				X
29	EAS2068G62A	CYLINDER CHAMBER	CHAMBRE CYLINDRE	CAMARA CILINDRO	1				X
30	EAL0383G03A	PLATE CYLINDER D.E.	PLAQUE CYLINDRE D.E.	TARJETA CILINDRO D.E.	1				X

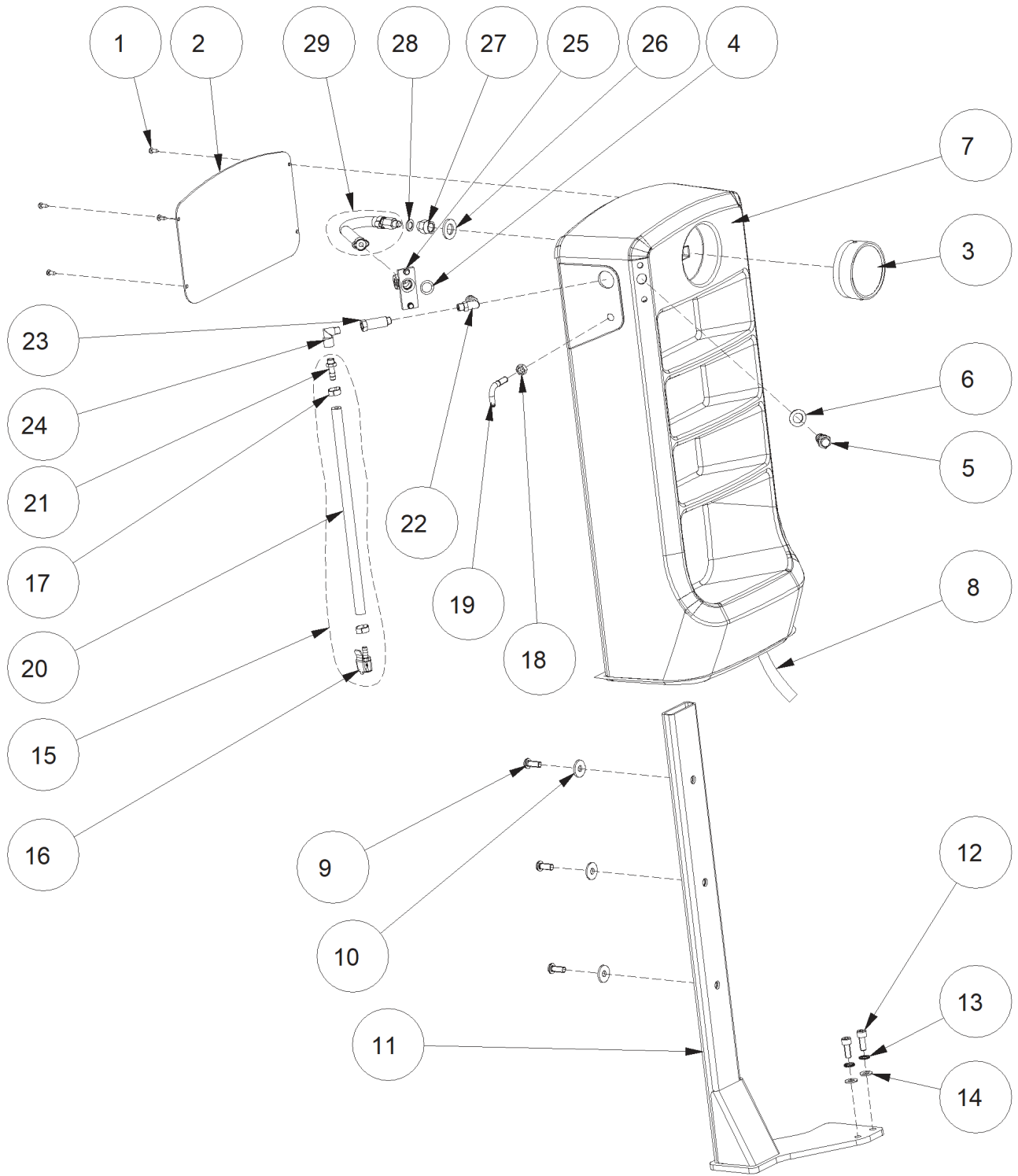


POS.	CODE	DESIGNATION	DESIGNATION	DESIGNACIÓN	N	Note	A	B	C
1	1-11433A	NUT - M4 6S	ECROU M4 6S	BULON M4 6S BR	1				X
2	1-9641	WASHER	RONDELLE	ARANDELA	1				X
3	EAS2107G67A	BRACKET,CATAPHORESIS FILTER FIXING	ETRIER FIXATIONFILTRE CATAPHORESIS	ESTRIBO AJUSTE FILTRO CATAFORESIS	1				X
4	1-9641	WASHER	RONDELLE	ARANDELA	1				X
5	1-13609A	SCREW TCEI 4X16 8G	VIS Chc	TORNILLO TCEI	1				X
6	EAA0384G14A	GROUP, BEAD INFLATING PEDAL	GROUPE PEDALE POMPE	GRUPO PEDAL INFLADOR	1				X
7	EAS2134G52A	GT PEDAL SUPPORT	SUPPORT PEDALE	SOPORTE PEDAL	1				X
8	EAA0329G75A	VALVE, BEAD INFLATING	SOUPAPE CONTROLE GONFLE PNEU S/CHAMB	VALVULA MANDO INFLACION NEUM.S/CAMA	1				X
9	EAK0306G32A	SCREWS AND BOLTS FOR GT VALVE	KIT VIS SOUPAPE GT	KIT TORNILLOS VALVULA GT	1				X
10	EAS2068G87A	INFLATOR PEDAL CATAPHOR. BLK	PEDALE POMPE LAQUAGE HEPOXY NOIR	PEDAL HINCHADOR TUBEL.NEGRO	1				X
11	1-6652	PIN - STRAIGHT SLOTTED 4X30	BROCHE ELASTIQUE	PASADOR ELASTICA	1				X
12	EAK0306G33A	SCREWS AND BOLTS FOR GT PEDAL	KIT VIS PEDALE GT	KIT TORNILLOS PEDAL GT	1				X
13	EAA0384G22A	VALVE, AIR CONTROL	CLAPET REDUCTEUR DE PRESSION	VALVOLA LIMITATRICE PRESSIONE	1				X
14	EAA0439G92A	AIR FILTER+LUBRICAT. +PRESS.REG. AIR IN LEFT	GROUPE FILTRE RED. + LUBRIF AIR GAUCHE	GRUPO FILTRO RED. + LUBRIC. AIRE IZQ.	1				X
15	EAC0100G35A	BOWL, OILER COMPLETE	BOL LUBRIFICATEUR COMPLETE	VASO LUBRICADOR COMPLETO	1				X
16	EAC0100G34A	COMPLETE SEPARATOR BOWL	BOL FILTRE COMPLETE	VASO FILTRO COMPLETO	1				X
17	1-53009A	SCREW TCEI 4X45 8G	VIS Chc	TORNILLO TCEI	1				X
18	1-09176A	CAP.FITTING D.6	COUVERCLE P. RACCORDS D.6	TAPA POR EMPALMES D.6	1				X
19	1-12379A	DISTRIBUTOR,MULTI-TEE 08-06	DISTRIBUTEUR MULTI TE 08-06	DISTRIBUIDOR MULTI T 08-06	1				X
20	EAA0350G84A	AIR PRESSURE REDUCER ASSY, W.FITTING	GROUPE REDUCTEUR A. RACCORDS	GRUPO REDUCTOR C. CONEXIONES	1				X



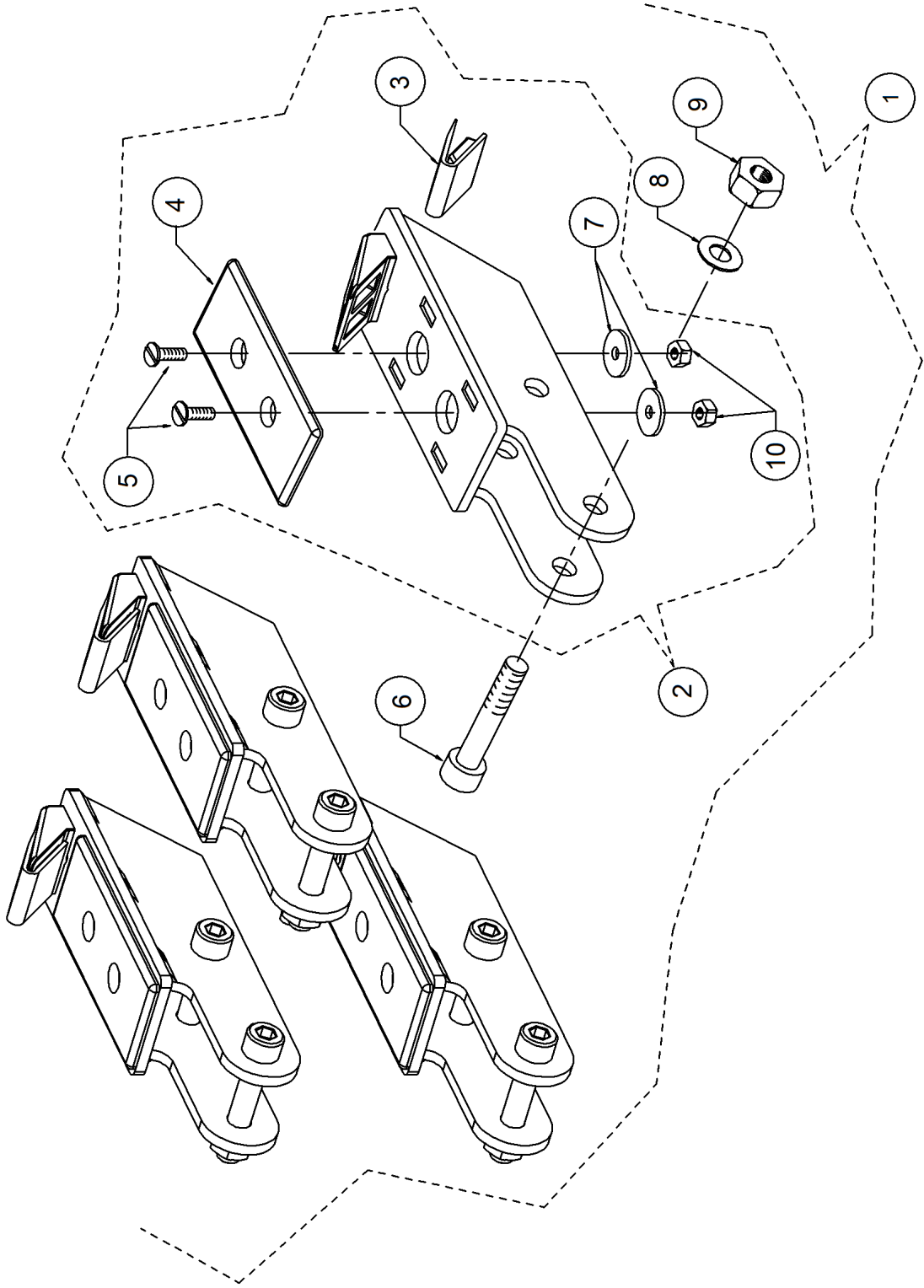


POS.	CODE	DESIGNATION	DÉSIGNATION	DESIGNACIÓN	N.	Note	Note	A	B	C
1	EAS2089G67A	TANK - INFLATOR	RESERVOIR POMPE LAQUE NOIR	TANQUE INFLATOR TUBELESS	1					X
2	1-12579A	STRAIGHT, FITTING MF 1/2"-1/8"	REDUCTION MF 1/2"-1/8" CYLINDRIQUE	DA RECUPERER	1					X
3	1-17179A	ELBOW FITTING "L" 4X6 1/4" (B)	RACCORD A VISSER EN "L" 4X6 1/4"	RACOR CON TORNILLO EN "L" 4X6 1/4"	1					X
4	EAM0074G01A	PROTECTION, MANOMETER	PROTECTION, MANOMETRE	PROTECCION MANOMETRO	1					X
5	8-06120A	MANOMETER-RADIAL 0-16 D.40	MANOMETRE RADIAL 0-16 D.40	MANOMETRO RADIAL 0-16BAR D.40	1					X
6	EAA0363G53A	GT ASSEMBLY	GROUPE GT	GRUPO GT	1					X
7	EAA0362G84A	BEAD INFLATOR CONTROL VALVE	VALVE ACTIONNEMENT DETALONNEUR	VALVULA ACCIONAMIENTO DESTALONADORA	1					X
8	1-58409A	SCREW M12x30 ISO 7380	VIS M12x30 ISO 7380	TORNILLO M12x30 ISO 7380	1					X
9	EAK0306G44A	ASSY, VALVE FOR GT NOZZLE	KIT SOUPAPE POUR BUSE GT	KIT VÁLVULA PARA BOQUILLA GT	1					X
10	EAK0306G46A	FITTINGS FOR GT NOZZLE	KIT RACCORDS UGELLO GT	KIT RACORES BOQUILLA GT	2					X
11	EAK0306G45A	FITTINGS PROTECTION FOR GT	KIT PROTECTION RACCORDS GT	KIT PROTECCIÓN RACORES GT	1					X
12	1-09276A	1/2" CAP	BOUCHON 1/2"	TAPÓN 1/2"	1	JPN version				X



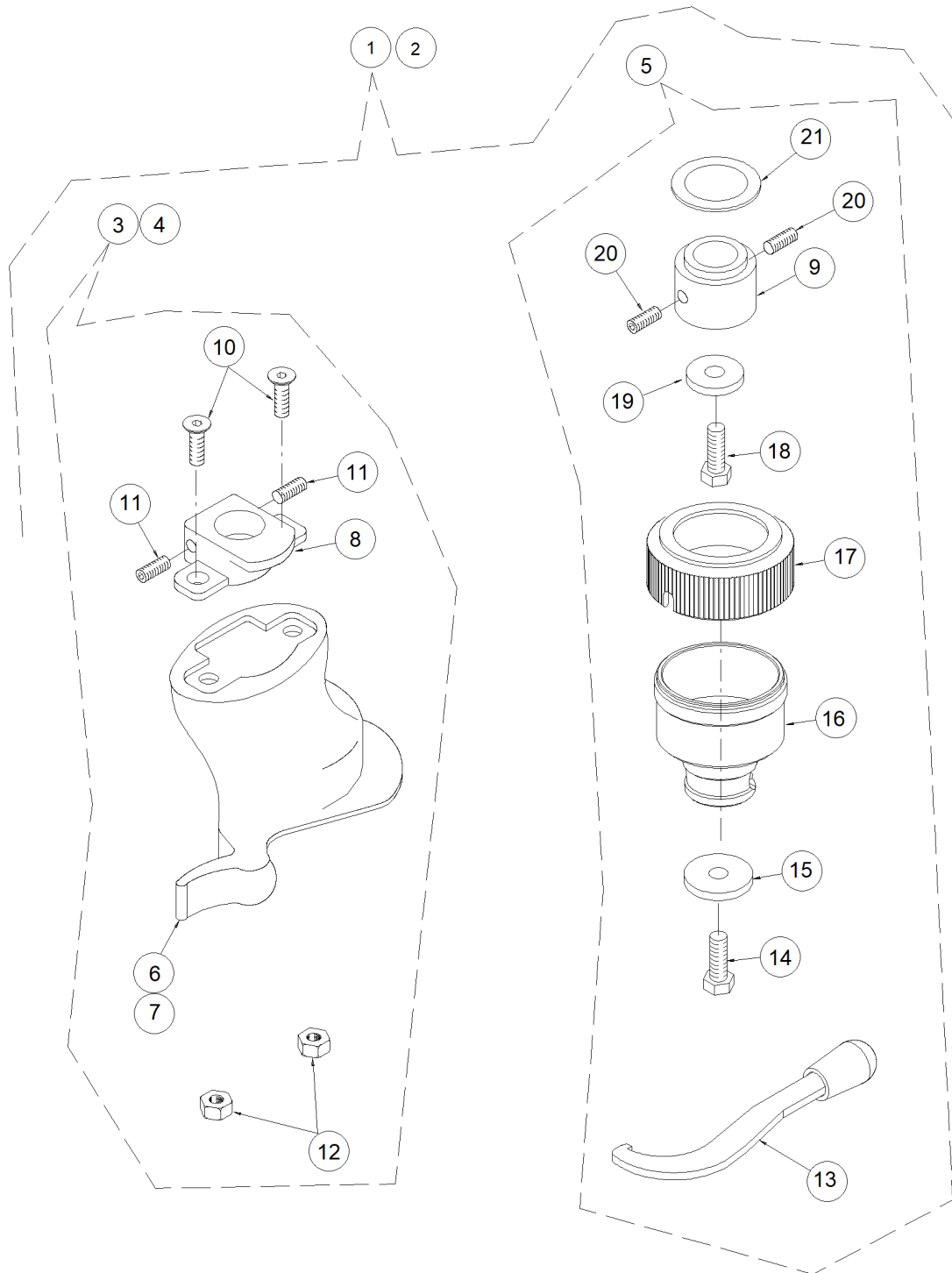
POS.	CODE	DESIGNATION	DESIGNATION	DESIGNACIÓN	N.	Note	Note	A	B	C
1	1-20423	SCREW CROWN HEAD, SELF TAP.	VIS AUTOTAR.	TORNILLO AUTORR.	4	DIN7981				X
2	EAS2153G75A	COVER, FOR BOX, BLACK PAINTED	COUVERCLE BOITE NOIRE	TAPA POR CAJA NEGRA	1					X
3	EAC0078G28A	MANOMETRE D80 EEC BAR/PSI	MANOMETRE D80 CEE BAR/PSI	MANÓMETRO D80 CEE BAR/PSI	1		10 BAR			X
3	EAA0332G41A	MANOMETER D80 KPA/PSI	MANOMETRE D80 KPA/PSI	MANÓMETRO D80 KPA/PSI	1					X
3	8-06520A	D.80 MANOMETER EEC APPROVED	MANOMETRE CEE D.80	MANÓMETRO NORMAS CEE D.80	1	EEC				0-10 BAR X
4	8-10414A	SEAL-OR d.14	JOINT-OR d.14	JUNTA OR d.14	1					X
5	EAA0328G57A	BLEEDER VALVE	VALVE DEGONFLAGE	VALVULA DESENFADOR	1					X
6	EAM0043G64A	WASHER, BLEEDER VALVE	RONDELLE SOUPEPE DEGONFLAGE	ARANDELA PARA BLOQUE DESHINCHADOR	1					X
7	EAC0114G08A	TOOL STORAGE BOX	CASSETTE PORTE-OBJECTS	CAJON PUERTA OBJETOS	1					X
8	24201	HOSE-AIR 6X8, BLACK	TUYAU AIR 6X8, NOIR	TUBO AIRE 6X8, NEGRO	1					X
9	1-18702A	SCREW FILLISTER HEAD MACH M8X20	VIS BHC	TORNILLO TBEI	3	ISO7380				X
10	1-17841A	WASHER d. 8X24, BLK	RONDELLE D 8X 24	ARANDELA D 8X 24	3					X
11	EAA0410G29A	SUPPORT FOR STORAGE BOX	SUPPORT CASSETTE PORTE-OBJETS	SOPORTE CAJA PORTAOBJETOS + REMACHES	1					X
12	1-17709	SCREW TCEI 8X20 8G	VIS CHC	TORNILLO TCEI	2					X
13	1-3048	WASHER SHAKEPROOF D8 BLK.	RONDELLE DIAM 8	ARANDELA DE D.8	2					X
14	1-10041	WASHER D.8	RONDELLE DIAM 8	ARANDELA PLANA D.8 GALVANIZ.	2					X
15	EAA0329G99A	HOSE, INFLAT.GUN WITH FITTINGS	TUYAU PISTOLET AVEC RACCORDS	TUBO PISTOLETA INFLAJE + EMPALM	1					X
16	1-12279A	INFLATING CHUCK	PINCE GONFLAGE	PINZA DE HINCHADO	1					X
17	1-03482A	HOSE CLAMP	COLLIER SERRE-TUBE	ABRAZADERA APRIETA-TUBO	2					X
18	1-11733	NUT M8 UNI5588-65/DIN934	ECROU M8 6S STAND.JAUNE	TUERCA M8 6S NORM.GALV.BLANCA	1					X
19	EAM0032G94A	HOOK FOR INFLATING GAUGE	CROCHET PISTOLET DE GONFLAGE	GANCHO PISTOLA HINCHADO	1					X
20	EAH0049G13A	TIRE GUN TUBE	TUYAU AIR PISTOLET	TUBO AIRE PISTOLA *	1					X
21	1-12079A	FITTING - AIR 1/8 d.7	RACCORD AIR 1/8 d.7	CONEXIÓN 1/8 d.7	1					X
22	1-11479A	FITTING - L 6X8 1/8	RACCORD EN L 6X8 1/8	CONEXIÓN EN L 6X8 1/8	1					X
23	1-11779A	FITTING, STRAIGHT, M/F 1/4" L.36mm	RACCORD DROIT M/F 1/4" L36MM	CONEXIÓN DERECHO M/F 1/4" L.36MM	1					X
24	1-11979A	FITTING L MF 1/8"	RACCORD	CONEXIÓN	1					X
25	EAC0078G59A	BODY BLEEDER VALVE	VALVE-DEGONFLEUR	BLOQUE DESHINCHADOR	1					X
26	1-10341	WASHER - d.14	RONDELLE d.14	ARANDELA PLANA D.14 GALVANIZ.	1					X
27	1-11879A	COUPLING REDUCT. FF 1/4-1/8"	MANCHON REDUCT. FF 1/4-1/8"	CASQUILLO REDUCT. FF 1/4-1/8"	1					X
28	1-26741A	WASHER, COPPER 1/8	RONDELLE EN CUIVRE 1/8	ARANDELA EN COBRE 1/8	1					X
29	EAA0356G06A	PIPE, W. MANOMETER DAMPER	TUYAU AMORTISSEUR MANOMETRE	TUBO C-AMORTIGUADOR MANÓMETRO	1					X

EAZ0116G43A.a



POS.	CODE	DESIGNATION	DESIGNATION	DESIGNATION	DESIGNACION	N.	Note	A	B	C
1	EAA0331G91A	ASSY. SLIDING CLAMP + 4" CENTER TYPE	JEU ETAUX COULISSANT + 4" C/CENTRE	GRUPO MORSAS ESCURRIDIZAS +4" C/CENTRC	1					X
2	EAA0332G89A	SLIDING CLAMP +4" CENTER TYPE	ETAU COULISSANT +4" C/CENTRE	MORSA ESCURRIDIZA +4" C/CENTRC	1					X
3	EAC0078G09A	PROTECTION- JAW	PROTECTION CRAMPON	TAPON	1					X
4	EAC0078G08A	PROTECTION R TERMINAL +4" C/CENTRO	PROTECTION BORNE +4" C/CENTRO	PROTECCION BORNE +4" C/CENTRO	1					X
5	1-7803	SCREW 4X10 ZINC. UNI6109-67 4.8	VIS TSP 4X10	TORNILLO TSP CON INT. 4X10 ZINCO	1					X
6	1-18209	SCREW	VIS	TORNILLO	1					X
7	1-22741A	WASHER - d. 4X16X1 BURNISHED	RONDELLE d. 4X16X1	ARANDELA D.4X16X1 GALVANIZ.	1					X
8	1-10041	WASHER D.8	RONDELLE DIAM 8	ARANDELA PLANA D.8 GALVANIZ.	1					X
9	1-11733	NUT M8	ECROU M8 6S	TUERCA M8 6S	1					X
10	1-11433A	NUT - M4 6S	ECROU M4 6S	BULON M4 6S BR	1					X

EAZ0104G28A.a

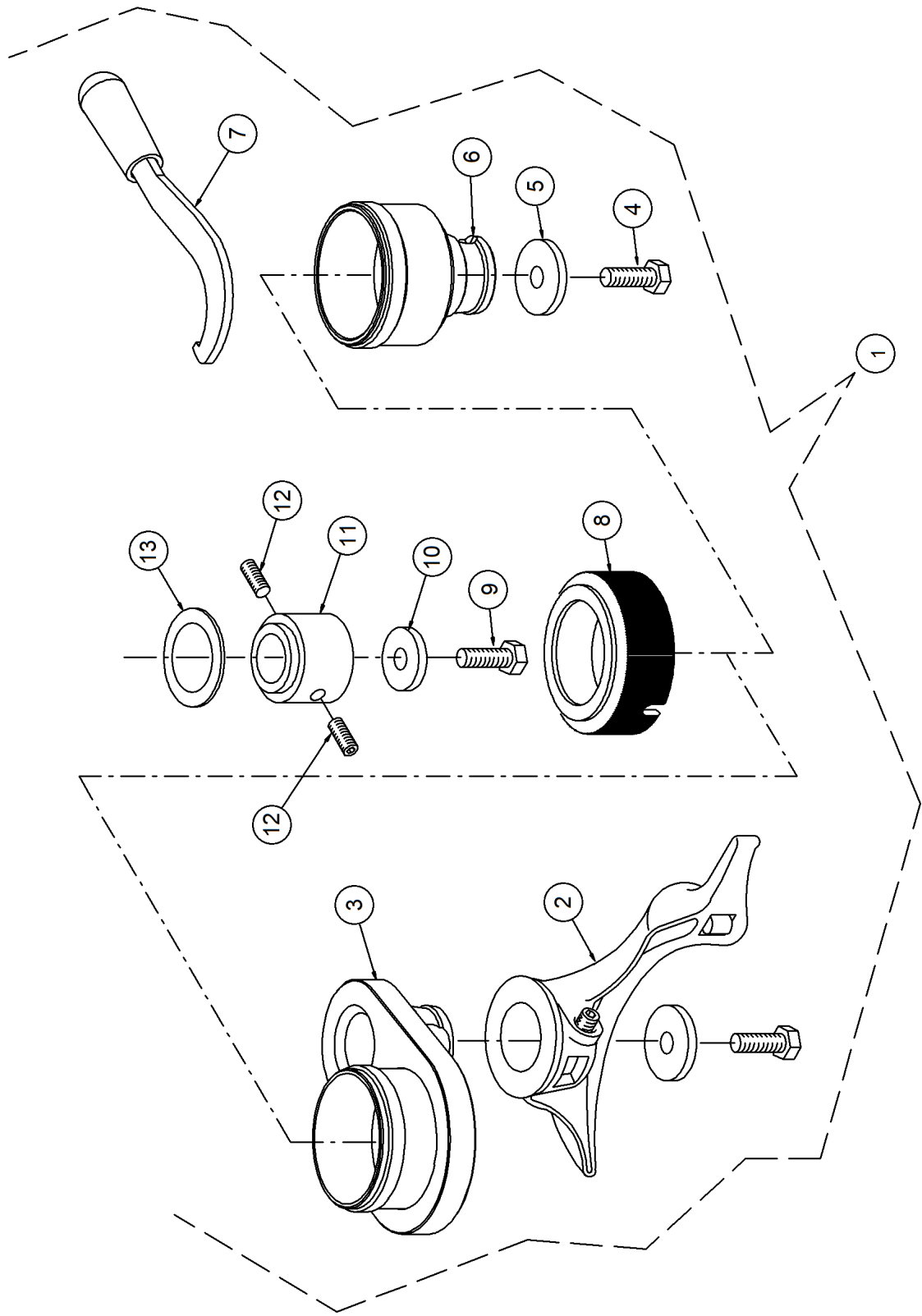


04/2018



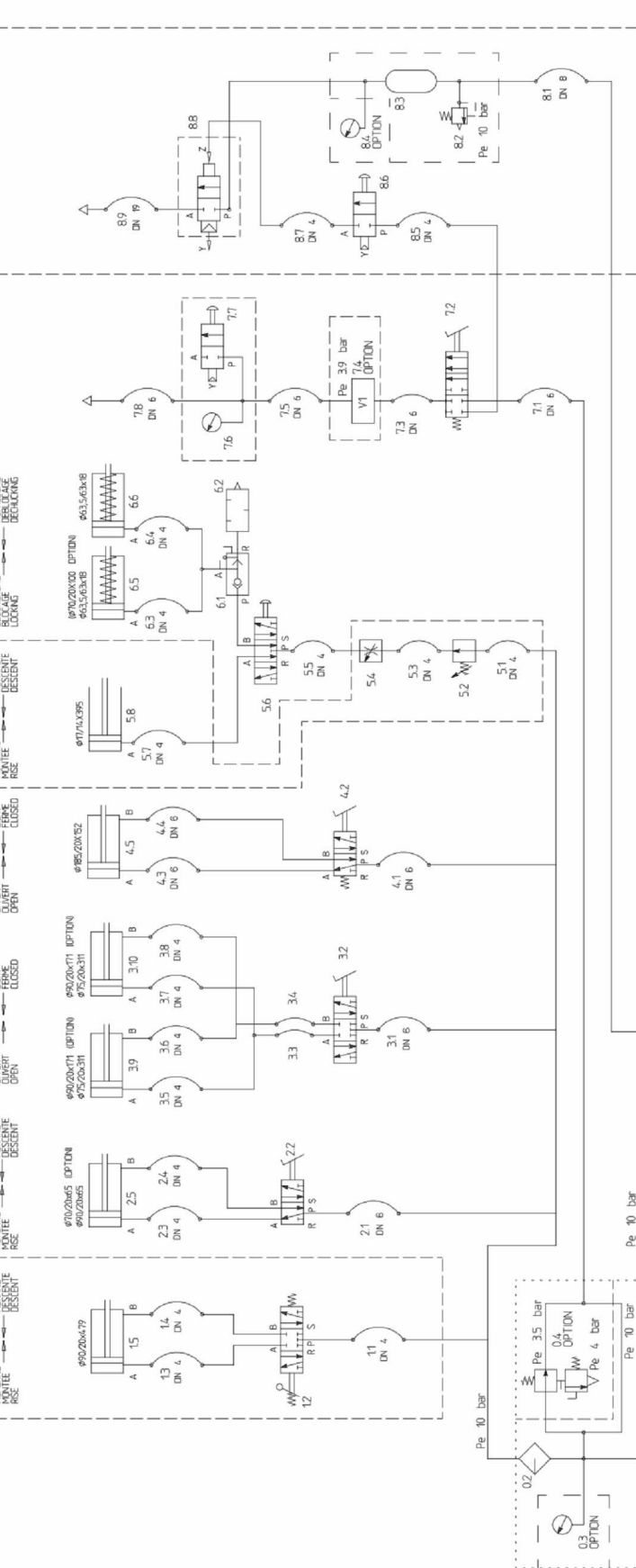
POS.	CODE	DESIGNATION	DESIGNATION	DESIGNATION	N	Note	A	B	C
1	EAA0304G66A	TOOL GROUP QUICK EXCHANGE "S2"	KIT DE MONTAGE RAPIDE MODELE A VISSER	GRUPO HERRAMIENTA CAMBIO RAPIDO "S2"	1				X
2	EAA0304G67A	TOOL GROUP "VW" QUICK EXCHANGE "S2"	KIT DE MONTAGE RAPIDE AVEC TETE PLASTI	HERRAMIENTA "VW" CAMBIO RAPIDO " S2"	1				X
3	EAA0247G20A	TOOL, PLASTIC + SUPPORT	TETE PLASTIQUE	HERRAMIENTA EN PLASTICA + SOPORTE	1				X
4	EAA0304G37A	VW PLASTIC TOOL + SUPPORT	TETE DE MONTAGE PLAS P.JANTES A RAY. DEB	HERRAMIENTA DE PLASTICO VW + SOPORTE	1				X
5	EAA0344G94A	QUICK EXCHANGE DEVICE - WITHOUT TOOL	KIT CHANGEMENT RAPIDE -SANS OUTIL	KIT CAMBIO RAPIDO - SIN UTIL	1				X
6	EAM0043G71A	PLASTIC MOUNT/DEMOUNT TOOL	OUTIL EN PLASTIQUE	HERRAMIENTA EN PLASTICO	1				X
7	EAM0043G70A	PLASTIC TOOL FOR RIM "VW"	OUTIL EN PLASTIQUE P. JANTE	HERRAMIENTA PLASTICO P. CIRCULO	1				X
8	EAM0146G55A	SUPPORT, TOOL, PLASTIC	SUPPORT OUTIL EN PLASTIQUE	SOPORTE HERRAMIENTA EN PLASTICO	1				X
9	EAM0032G43A	BUSHING, FITTING	GOUPILLE ACCROCHAGE	CASQUILLO FIXAJE	1				X
10	1-21203A	SCREW TSEI M8X20	VIS FHc	TORNILLO TSEI	1				X
11	1-34110A	SET SCREW 10X20	VIS FHc	TORNILLO STEI	1				X
12	1-15933A	NUT M8	ECROU M8 6S	TUERCA M8 CL.8	1				X
13	EAA0304G65A	TOOL WITH KNOB FOR QUICK EXCHANGE	OUTIL A. POIGNEE VITESSE RAPIDE	HERRAMIENTA C. POMO CAMBIO RAPIDO	1				X
14	1-34501A	SCREW TE 10X30 8G	VIS H	TORNILLO TE	1				X
15	EAM0032G02A	WASHER- TOOL CLAMPING	RONDELLE FIXATION OUTIL	ARANDELA BLOQUEO HERRAMIENTA	1				X
16	EAA0304G64A	TOOL SUPPORT WITH PINS	SUPPORT OUTIL A. GOUJONS	SOPORTE HERRAMIENTA C. VASTAGOS	1				X
17	EAM0032G39A	RING, TOOL FIXING SUPPORT	COLLIER DE SERAGE; SUPPORT RAPIDE	ABRAZADERA AJUSTE SOPORTE UTIL	1				X
18	1-34301A	SCREW HEX 10X20 8G	VIS H	TORNILLO TE	1				X
19	EAM0032G42A	WASHER, REGISTER- QUICK	RONDELLE; OUTIL REGLAGE RAPIDE	ARO REGLAJE RAPIDO	1				X
20	1-49510A	SCREW	VIS	TORNILLO	1				X
21	EAM0032G03A	WASHER I.D.41 E.D. 52.8 TH.2	RONDELLE 41-52.8-2	ARANDELA 41-52.8-2	1				X

EAZ0116G44A.a



POS.	CODE	DESIGNATION	DÉSIGNATION	DESIGNACIÓN	N	Note	A	B	C
1	EAA0304G80A	TOOL GROUP QUICK EXCHANGE +4"	GROUPÉ OUTIL CHANGE RAPIDE +4"	GRUPO UTIL CAMBIO RAPIDO +4"			X		
2	EAA0304G84A	TOOL	OUTIL	UTIL				X	X
3	EAA0304G75A	ADAPTOR SUPPORT WITH PINS	SUPPORT AVEC GOUJONS	SOPORTE ADAPTOR C. VASTAGOS			X		X
4	1-34501A	SCREW TE 10X30 8G	VIS H	TORNILLO TE			X		
5	EAM0032G02A	WASHER- TOOL CLAMPING	RONDELLE FIXATION OUTIL	ARANDELA BLOQUEO HERRAMIENTA					X
6	EAA0304G64A	TOOL SUPPORT WITH PINS	SUPPORT OUTIL A. GOUJONS	SOPORTE HERRAMIENTA C. VASTAGOS					X
7	EAA0304G65A	TOOL WITH KNOB QUICK EXCHANGE	OUTIL A. POIGNEE VITESSE RAPIDE	HERRAMIENTA C. POMO CAMBIO RAPIDO					X
8	EAM0032G39A	RING, TOOL FIXING SUPPORT	COLLIER DE SERAGE, SUPPORT RAPIDE	BRAZADERA AJUSTE SOPORTE UTIL					X
9	1-34301A	SCREW HEX 10X20 8C	VIS H	TORNILLO TE			X		
10	EAM0032G42A	WASHER, REGISTER- QUICK	RONDELLE, OUTIL REGLAGE RAPIDE	ARO REGLAJE RAPIDO					X
11	EAM0032G43A	BUSHING, FITTING	GOUPILLE ACCROCHAGE	CASQUILLO FIXAJE					X
12	1-49510A	SCREW	VIS	TORNILLO					X
13	EAM0032G03A	WASHER I.D.41 E.D. 52.8 TH.2	RONDELLE 41-52.8-2	ARANDELA 41-52.8-2					X

- 0 GRUPPO FILTRO  
FILTERGRUPPE  
GROUPE FILTRE  
FILTERGROUP
- 1 (OPTION / EXTRA)  
ATTREZZO SMOANTAGGIO (M4)  
DEMOUNTING TOOL (M4)  
OUTIL POUR DEMONTER (M4)  
DEMONTAGE OUVRET (M4)
- 2 RIBALTABILE  
KIPBAR  
BASCUILLANTE  
TILTING
- 3 BLOCCAGGIO CERCHI  
BLOCKERING FELGEN  
BLOCAGE JANTES  
LOCKING RIMS
- 4 STALLONATORE  
ABRUESSCHAUFEL  
DETALONNEUR  
BEAD BREAKER
- 5 (OPTION / EXTRA)  
POSIZIONE LITENSIE  
WERKZEUGSSTELLUNG  
POSITION DE LOUILLAGE  
TOOL POSITIONING
- 6 BLOCCAGGIO BRACCI  
BLOCKERING AUSLEGER  
BLOCAGE BRAS  
ARM LOCKING
- 7 PINZA GONFIAGGIO  
FILLIPISTOLE  
PISTOLET DE GONFLAGE  
THE GAUGE
- 8 (OPTION / EXTRA)  
GONFIATUBILESS  
SCHLAUCHOSFÜLLVORRICHTUNG  
GENEIGE TUBELISS  
BEAD SEATER



1) VALVOLA LIMITATRICE E DI CONTROLLO DELLA PRESSIONE DI GONFIAGGIO.  
UTILIZZATA IN ASSENZA DELLA VALVOLA 04.  
2) VALVOLA LIMITATRICE E DI CONTROLLO DELLA PRESSIONE DI GONFIAGGIO.  
UTILIZZATA IN ASSENZA DELLA VALVOLA 04.  
3) VALVOLA LIMITATRICE E DI CONTROLLO DELLA PRESSIONE DI GONFIAGGIO.  
UTILIZZATA IN ASSENZA DELLA VALVOLA 04.

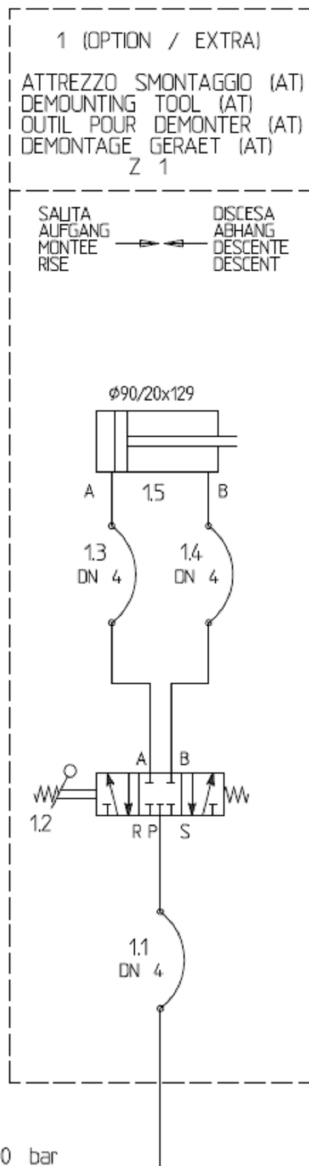
TERMINAZIONE SCHEMA PNEUMATICO SMOANTAGGIO TILTING	FAMIGLIA 824	COD. GS 0036321
THE DATA, DRAWINGS, AND INFORMATION CONTAINED IN THIS DOCUMENT IS CONFIDENTIAL AND THE SOLE PROPERTY OF SMI-ON, AND MAY NOT BE REPRODUCED, USED, OR DISCLOSED WITHOUT WRITTEN PERMISSION OF AN OFFICER OF SMI-ON.		
UNLESS OTHERWISE SPECIFIED DIMENSIONS ARE IN MILLIMETERS GENERAL TOLERANCES		
FINISH		
PROJ. NO		
DR		
CK 20100225 M. MARIANI		
APP		
QUALITY DOC		
SUPERCEDES		
RELEASE		
REV A		
TEEW001T		
SHEET 1 OF 2		

MATERIAL		
CORREGGIO, ITALY		
PNEUMATIC DIAGRAM FOR TILT TIRE CHANGER		
A3		
QUALITY DOC		
N/A		
SUPERCEDES		
N/A		
REV		
PCN HISTORY		
A 1030060		
FIRST ANGLE PROJECTION		

8.9	1	TUBO FLESSIBILE	SCHLAUCH	TUYAU FLEXIBLE	FLEXIBLE HOSE	MANULI
8.8	1	VALVOLA A COMANDO PNEUMATICO	VENTIL MIT PNEUM. STEUERUNG	VANNE A COMMANDE PNEUMATIQUE	VALVE WITH PNEUMATIC DRIVE	KPM / AUTEL
8.7	1	TUBO FLESSIBILE	SCHLAUCH	TUYAU FLEXIBLE	FLEXIBLE HOSE	MAZZER
8.6	1	VALVOLA A 2 VIE	ZWEISEITIGE VENTIL	VANNE A 2 VOIES	TWOWAY VALVE	Snap-on
8.5	1	TUBO FLESSIBILE	SCHLAUCH	TUYAU FLEXIBLE	FLEXIBLE HOSE	MAZZER
8.4	1	MANOMETRO	MANOMETER	MANOMETRE	MANOMETER	AIREX
8.3	1	SERBATOIO	TANK	RESRVOIR	TANK	Snap-on / FABBRI
8.2	1	VALVOLA DI SICUREZZA	SICHERHEITSVENTIL	VANNE DE SICURETE	SAFETY VALVE	STIMA
8.1	1	TUBO FLESSIBILE	SCHLAUCH	TUYAU FLEXIBLE	FLEXIBLE HOSE	MAZZER
7.8	1	TUBO FLESSIBILE	SCHLAUCH	TUYAU FLEXIBLE	FLEXIBLE HOSE	MANULI
7.7	1	VALVOLA A 2 VIE	ZWEISEITIGE VENTIL	VANNE A 2 VOIES	TWOWAY VALVE	Snap-on
7.6	1	MANOMETRO	MANOMETER	MANOMETRE	MANOMETER	WIKA
7.5	1	TUBO FLESSIBILE	SCHLAUCH	TUYAU FLEXIBLE	FLEXIBLE HOSE	MAZZER
7.4	1	AIR CONTROL	AIR CONTROL	AIR CONTROL	AIR CONTROL	Snap-on
7.3	1	TUBO FLESSIBILE	SCHLAUCH	TUYAU FLEXIBLE	FLEXIBLE HOSE	MAZZER
7.2	1	VALVOLA A 4 VIE	VIERSEITIGE VENTIL	VANNE A 4 VOIES	FOURWAY VALVE	Snap-on
7.1	1	TUBO FLESSIBILE	SCHLAUCH	TUYAU FLEXIBLE	FLEXIBLE HOSE	MAZZER
6.6	1	CILINDRO A SEMPLICE EFFETTO	EINFACH WIRKENDE ZYLINDER	VERIN A SIMPLE EFFET	SINGLE EFFECT CYLINDER	Snap-on
6.5	1	CILINDRO A SEMPLICE EFFETTO	EINFACH WIRKENDE ZYLINDER	VERIN A SIMPLE EFFET	SINGLE EFFECT CYLINDER	Snap-on
6.4	1	TUBO FLESSIBILE	SCHLAUCH	TUYAU FLEXIBLE	FLEXIBLE HOSE	MAZZER
6.3	1	TUBO FLESSIBILE	SCHLAUCH	TUYAU FLEXIBLE	FLEXIBLE HOSE	MAZZER
6.2	1	SILENZIATORE	SILENCER	SILENCIEUX	SCHALLDAMPFER	GENERAL CONTROL
6.1	1	VALVOLA DI SCARICO RAPIDO	RAPID EXHAUST VALVE	SOUPAPE D'ECHAPPEMENT RAPIDE	SCHNELLENTLUFTUNGS VENTIL	CAMOZZI
5.8	1	CILINDRO A SEMPLICE EFFETTO	EINFACH WIRKENDE ZYLINDER	VERIN A SIMPLE EFFET	SINGLE EFFECT CYLINDER	Snap-on
5.7	1	TUBO FLESSIBILE	SCHLAUCH	TUYAU FLEXIBLE	FLEXIBLE HOSE	MAZZER
5.6	1	VALVOLA A 5 VIE	FUNFSEITIGE VENTIL	VANNE A 5 VOIES	FIVEWAY VALVE	Snap-on
5.5	1	TUBO FLESSIBILE	SCHLAUCH	TUYAU FLEXIBLE	FLEXIBLE HOSE	MAZZER
5.4	1	VALVOLA REGOLATRICE DI PORTATA	GESCHALTETES STROMREGELVENTIL	REGULATEUR DE DEBIT	FLOW CONTROL VALVE	CAMOZZI
5.3	1	TUBO FLESSIBILE	SCHLAUCH	TUYAU FLEXIBLE	FLEXIBLE HOSE	MAZZER
5.2	1	RIDUTTORE	REDUKTOR	REDUCTEUR	REDUCER	STAMPOTECNICA
5.1	1	TUBO FLESSIBILE	SCHLAUCH	TUYAU FLEXIBLE	FLEXIBLE HOSE	MAZZER
4.5	1	CILINDRO A DOPPIO EFFETTO	DOPPELTWIRKENDER ZYLINDER	VERIN A DOUBLE EFFET	DOUBLE EFFECT CYLINDER	Snap-on
4.4	1	TUBO FLESSIBILE	SCHLAUCH	TUYAU FLEXIBLE	FLEXIBLE HOSE	MAZZER
4.3	1	TUBO FLESSIBILE	SCHLAUCH	TUYAU FLEXIBLE	FLEXIBLE HOSE	MAZZER
4.2	1	VALVOLA A 5 VIE	FUNFSEITIGE VENTIL	VANNE A 5 VOIES	FIVEWAY VALVE	Snap-on
4.1	1	TUBO FLESSIBILE	SCHLAUCH	TUYAU FLEXIBLE	FLEXIBLE HOSE	MAZZER
3.10	1	CILINDRO A DOPPIO EFFETTO	DOPPELTWIRKENDER ZYLINDER	VERIN A DOUBLE EFFET	DOUBLE EFFECT CYLINDER	Snap-on
3.9	1	CILINDRO A DOPPIO EFFETTO	DOPPELTWIRKENDER ZYLINDER	VERIN A DOUBLE EFFET	DOUBLE EFFECT CYLINDER	Snap-on
3.8	1	TUBO FLESSIBILE	SCHLAUCH	TUYAU FLEXIBLE	FLEXIBLE HOSE	MAZZER
3.7	1	TUBO FLESSIBILE	SCHLAUCH	TUYAU FLEXIBLE	FLEXIBLE HOSE	MAZZER
3.6	1	TUBO FLESSIBILE	SCHLAUCH	TUYAU FLEXIBLE	FLEXIBLE HOSE	MAZZER
3.5	1	TUBO FLESSIBILE	SCHLAUCH	TUYAU FLEXIBLE	FLEXIBLE HOSE	MAZZER
3.4	1	TUBO FLESSIBILE	SCHLAUCH	TUYAU FLEXIBLE	FLEXIBLE HOSE	MAZZER
3.3	1	TUBO FLESSIBILE	SCHLAUCH	TUYAU FLEXIBLE	FLEXIBLE HOSE	MAZZER
3.2	1	VALVOLA A 5 VIE	FUNFSEITIGE VENTIL	VANNE A 5 VOIES	FIVEWAY VALVE	Snap-on
3.1	1	TUBO FLESSIBILE	SCHLAUCH	TUYAU FLEXIBLE	FLEXIBLE HOSE	
2.5	1	CILINDRO A DOPPIO EFFETTO	DOPPELTWIRKENDER ZYLINDER	VERIN A DOUBLE EFFET	DOUBLE EFFECT CYLINDER	Snap-on
2.4	1	TUBO FLESSIBILE	SCHLAUCH	TUYAU FLEXIBLE	FLEXIBLE HOSE	MAZZER
2.3	1	TUBO FLESSIBILE	SCHLAUCH	TUYAU FLEXIBLE	FLEXIBLE HOSE	MAZZER
2.2	1	VALVOLA A 5 VIE	FUNFSEITIGE VENTIL	VANNE A 5 VOIES	FIVEWAY VALVE	Snap-on
2.1	1	TUBO FLESSIBILE	SCHLAUCH	TUYAU FLEXIBLE	FLEXIBLE HOSE	MAZZER
1.5	1	CILINDRO A DOPPIO EFFETTO	DOPPELTWIRKENDER ZYLINDER	VERIN A DOUBLE EFFET	DOUBLE EFFECT CYLINDER	Snap-on
1.4	1	TUBO FLESSIBILE	SCHLAUCH	TUYAU FLEXIBLE	FLEXIBLE HOSE	MAZZER
1.3	1	TUBO FLESSIBILE	SCHLAUCH	TUYAU FLEXIBLE	FLEXIBLE HOSE	MAZZER
1.2	1	VALVOLA A 5 VIE	FUNFSEITIGE VENTIL	VANNE A 5 VOIES	FIVEWAY VALVE	STAMPOTECNICA
1.1	1	TUBO FLESSIBILE	SCHLAUCH	TUYAU FLEXIBLE	FLEXIBLE HOSE	MAZZER
0.4	1	RIDUTTORE + VALVOLA DI SICUREZZA	REDUKTOR + SICHERHEITSVENTIL	REDUCTEUR + SOUPAPE DE SICURETE	REDUCER + SAFETY VALVE	STAMPOTECNICA
0.3	1	MANOMETRO	MANOMETER	MANOMETRE	MANOMETER	AIREX
0.2	1	LUBRIFICATORE	SCHMIERVORRICHTUNG	LUBRIFIANT	LUBRIFICATOR	STAMPOTECNICA
0.1	1	FILTRO + RIDUTTORE	FILTER + REDUKTOR	FILTRE + REDUCTEUR	FILTER + REDUCER	STAMPOTECNICA
N.	Q.TA' Stuck Q.TE' Q.TY	DENOMINAZIONE	BENENNUNG	DESCRIPTION	DESCRIPTION	PRODUTTORE HERSTELLER PRODUCTEUR PRODUCER

		PROJ NO. -	SCALE NO	<b>Snap-on</b> Correggio (RE) - ITALY		
		DR MARIANI		PNEUMATIC DIAGRAM FOR TILT T/CHANGER	Release	REV A
		DATE 2010/03/03			TEEWH001T	
A	10G0060	QUALITY DOC -			SHEET 2 OF 2	
REV	PCN HISTORY	SUPERCEDES -				





1.5	1	CILINDRO A DOPPIO EFFETTO	DOPPELTWIRKENDER ZYLINDER	VERIN A DOUBLE EFFET	DOUBLE EFFECT CYLINDER	Snap-on
1.4	1	TUBO FLESSIBILE	SCHLAUCH	TUYAU FLEXIBLE	FLEXIBLE HOSE	MAZZER
1.3	1	TUBO FLESSIBILE	SCHLAUCH	TUYAU FLEXIBLE	FLEXIBLE HOSE	MAZZER
1.2	1	VALVOLA A 5 VIE	FUNFSEITIGE VENTIL	VANNE A 5 VOIES	FIVEWAY VALVE	STAMPOTECNICA
1.1	1	TUBO FLESSIBILE	SCHLAUCH	TUYAU FLEXIBLE	FLEXIBLE HOSE	MAZZER
N.	Q.TA' Stuck Q.TE' Q.TY	DENOMINAZIONE	BENENNUNG	DESCRIPTION	DESCRIPTION	PRODUTTORE HERSTELLER PRODUCTEUR PRODUCER
		PROJ NO. -	SCALE NO	<b>Snap-on</b> Correggio (RE) - ITALY		
		DR MARIANI				Release
A	10G0130	DATE 2010/05/21		PNEUMATIC DIAGRAM FOR AUTOMATIC TOOL		
REV	PCN HISTORY	QUALITY DOC-				
		SUPERCEDES-				<b>0036442</b> <b>TEEWH001U</b> SHEET 1 OF 1



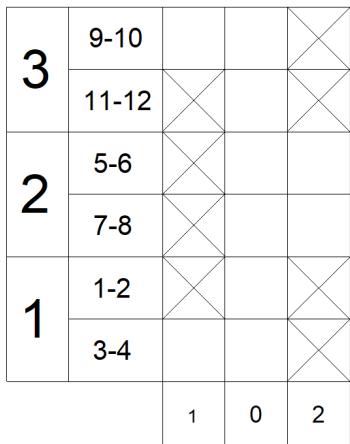


THE DATA, DRAWINGS, AND INFORMATION CONTAINED IN THIS DOCUMENT IS CONFIDENTIAL AND THE SOLE PROPERTY OF SNAP-ON, AND MAY NOT BE REPRODUCED, USED, OR DISCLOSED WITHOUT WRITTEN PERMISSION OF AN OFFICER OF SNAP-ON.

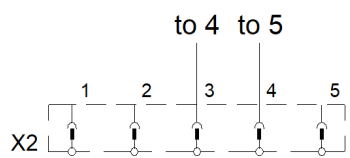
COPYRIGHT  
1999

EEWH306AWD  
SHEET 1 OF 1

REV	CHANGES - MODIFICHE	DATE	NAME
E	Fixed motor wiring connections	2017.10.18	N. Castagnoli
D	Fixed switch connections	2012.03.30	N. Castagnoli
C	Added M.L. connector	2011.06.07	N. Castagnoli
B	Added Leeson diagram	2001-03-12	A. Pratzzoli

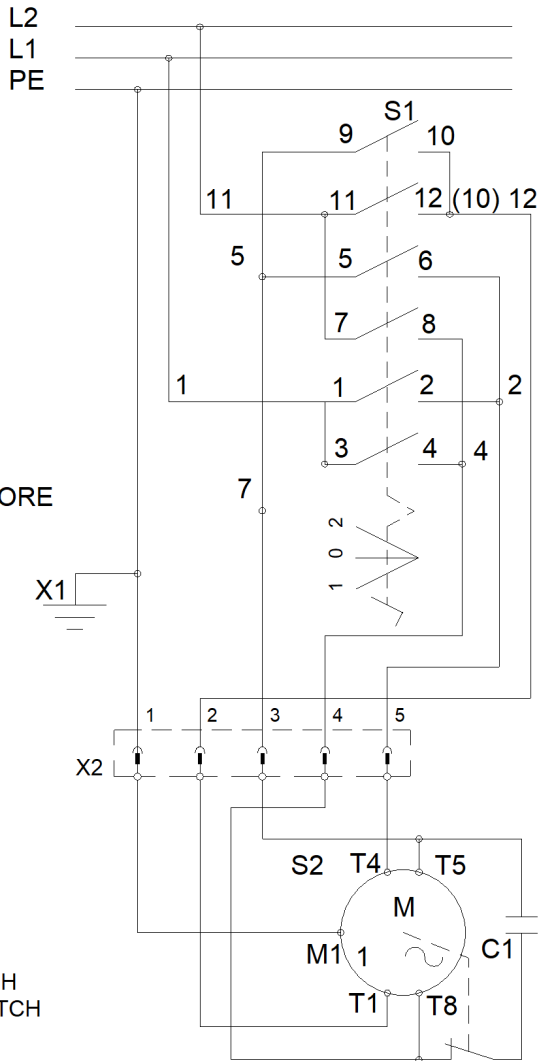


SCHEMA COLLEGAMENTO INVERTITORE  
INVERTER CONNECTION DIAGRAM



SCHEMA PEDALIERA SINISTRA  
LEFT PEDALSWITCH DIAGRAM

- C1 CONDENSATORE CAPACITOR
- S2 INT. CENTRIFUGO SPINNING SWITCH
- S1 INVERTITORE REVERSING SWITCH
- M1 MOTORE MOTOR
- X1 CARCASSA FRAME
- X2 CONNETTORE CONNECTOR



LEESON

DENOMINAZIONE: SCHEMA ELETTRICO MOTORE MONOFASE AMERICANO      FAMIGLIA: 824      COD. GS: 0014449

	UNLESS OTHERWISE SPECIFIED DIMENSIONS ARE IN MILLIMETERS GENERAL TOLERANCES OVER 0.5 TO 6.0 ± 0.1 OVER 6.0 TO 30 ± 0.2 OVER 30 TO 120 ± 0.3 OVER 120 TO UP ± 0.5 ANGULAR ± 1° HOLES ± 0.1 SHEET METAL ± 0.5 SURFACE: ISO 1302	MATERIAL	 CORREGGIO, ITALY	
E		17G0415		PROJ NO 3400
D		12G0130		DR FUSARI 1999-05-13
C		11G0146		CK
B				A4 APP
A		DWG QUALITY DOC	RELEASE REV E	
REV	PCN HISTORY	FIRST ANGLE PROJECTION	EEWH306AWD SHEET 1 OF 1	







**Notice:** The information contained in this document is subject to change without notice. **John Bean** makes no warranty with regard to this material. **John Bean** shall not be liable for errors contained herein or for incidental consequential damages in connection with furnishings, performance, or use of this material.

This document contains proprietary information which is protected by copyright and patents. All rights are reserved. No part of this document may be photocopied, reproduced, or translated without prior written consent of **John Bean**.

**John Bean** is a registered trademark.

copyright 2019