

Spare Parts Pieces de Rechange Tabla de repuestos

JohnBean®



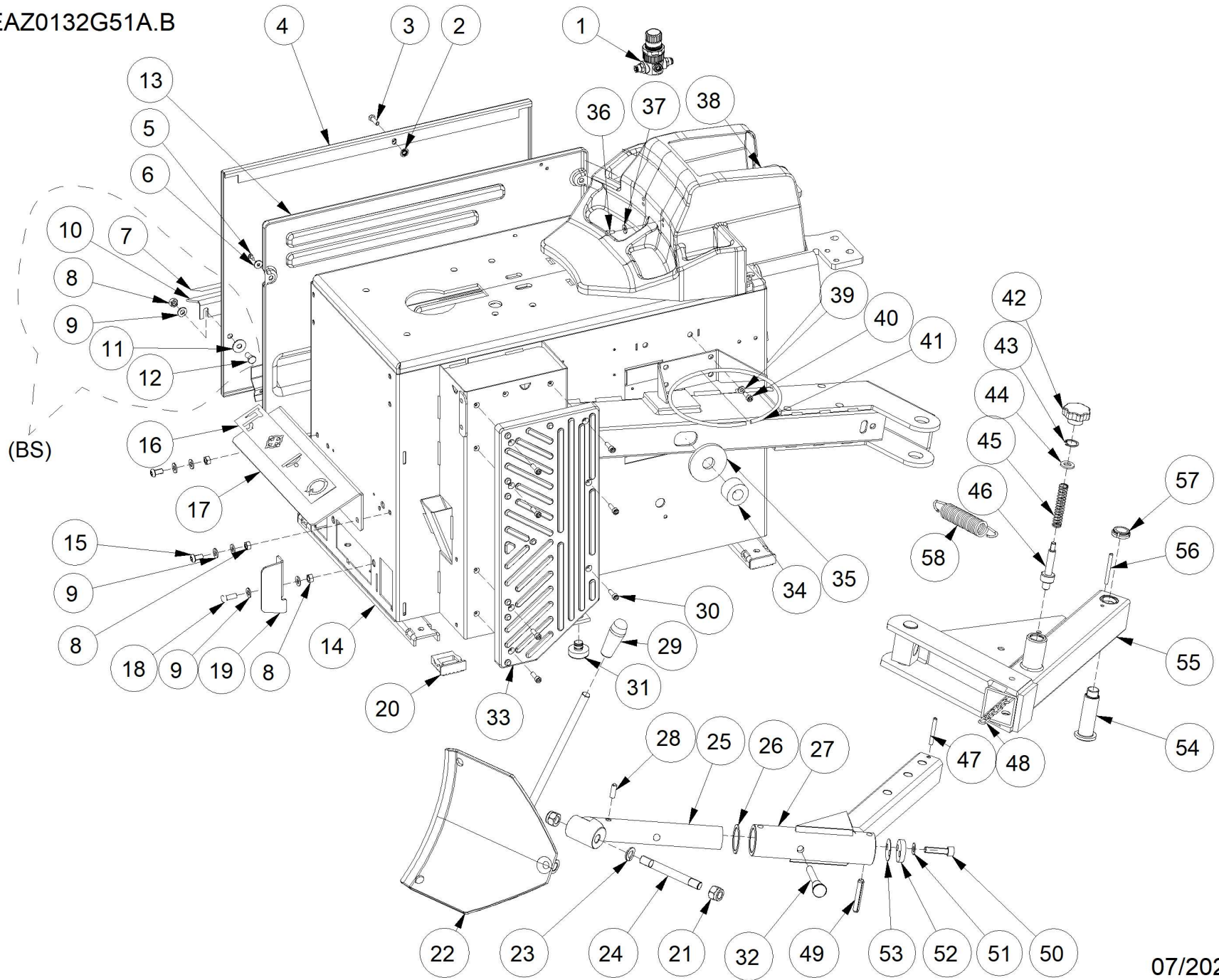
EHP SYSTEM V

INDEX		Page
EAZ0132G51A_B1	CABINET	4
EAZ0103G51A_G	TILTING TOWER	9
EAZ0122G40A_A	26" TURNTABLE GT - 115V	17
EAZ0122G41A_A	26" TURNTABLE GT - SMART	20
EAZ0122G44A_B	INVERTER ASSY	23
EAZ0122G91A_A1	MOTOR AND GEARBOX	25
EAZ0136G79A_B	MOTOR AND GEARBOX	27
EAZ0070G95A_B2	PEDAL ASSY 4P WITH COMMUTATOR	29
EAZ0103G92A_B2	4P CTS POTENTIOMETER PEDAL UNIT	33
EAZ0104G83A_A	BEAD BREAKER CYLINDER	36
EAZ0132G77A_B	AIR CONTROL SYSTEM	39
EAZ0136G86A_A1	GT TANK	42
EAZ0137G01A_A1	TOOLBOX BAR/PSI	44
EAZ0104G28A_A	PLASTIC TOOL AND SUPPORT	47
TEEWH006T_A1	PNEUMATIC DIAGRAM	52
TEEWH006T_A2	PNEUMATIC DIAGRAM	53
TEEWH588ACWD_A	ELECTRIC DIAGRAM CSA 1ph – 230V	54
TEEWH784AWD_B	ELECTRIC DIAGRAM 1 PHASE MOTOR 115V	55

UPDATING GUIDE:

May 25: EAZ0132G77A_A > EAZ0132G77A_B, TEEWH001T > TEEWH006T

EAZ0132G51A.B



07/2020

Pos	Code	Designation	Désignation	Designación	N.	Note	Nota	A	B	C
1	EAA0350G84A	AIR PRESSURE REDUCER ASSY, W.FITTING	GRUPE REDUCTEUR A. RACCORDS	GRUPO REDUCTOR C. CONEXIONES	1			X		
2	1-1548	WASHER-LOCK d.6	RONDELLE DE d.6	ARANDELA DE D.6	1	DIN 6798/A		X		
3	1-30901A2	SCREW TE 6X20 8G	VIS H	TORNILLO TE	1			X		
4	EAS2126G60A	BLACK SIDE	CÔTE NOIRE	FLANCO NEGRO	1				X	
4	EAS2238G37A	SIDE PANEL WITH COVER	CÔTE NOIRE	FLANCO NEGRO	1				X	
5	1-20423	SELF TAPPING SCREW d4,2x13	VIS AUTOTAR. d4,2x13 tcb br	TORNILLO AUTOROS. d4,2x13 tcb br	1			X		
6	1-23641A	WASHER 5X15X1.5	RONDELLE d. 5X16X1	ARANDELA COMUN D.5X16X1 GALVANIZ.	1			X		
7	EAL0413G34A	STICKER- INFLATOR	ETIQUETTE GONFLEUR	ETIQUETA INFLADOR	1			X		
8	1-11733	NUT M8	ECROU M8 6S	TUERCA M8 6S	4			X		
9	1-17741	WASHER d.8	RONDELLE P.d.8 ZINC.JAUNE	ARANDELA P.D.8	5			X		
10	EAS2115G83A	PROTECTOR,PEDAL	PROTECTION PEDALE	PROTECCIÓN PEDAL NEGRO RECUBIERTO	1				X	
11	1-17841	WASHER - d. 8X24	RONDELLE d.8X24	ARANDELA COMUN D.8X24 GALVANIZ.	1			X		
12	1-32501A	SCREW 8X16 8G	VIS H	TORNILLO TE	1			X		
13	EAC0078G32A	SIDE PANEL	COTE	LATERAL	1			X		
14	EAA0502G27A	26" CABINET	CORPS MACHINE 26"	CAJA 26"	1	RAL 3000 STD		X		
14	EAS2239G48A	26" CABINET	CORPS MACHINE 26"	CAJA 26"	1	CSA		X		
15	1-9902A	SCREW	VIS	TORNILLO	2			X		

A = available - disponible - disponible

B = on request - sur demande - a petición

C = suggested - suggéré - sugerido

Pos	Code	Designation	Désignation	Designación	N.	Note	Nota	A	B	C
16	22671	STICKER, PEDALS	ETIQUETTE PEDALES	ETIQUETA PEDALES	1				X	
17	EAS2169G75A	PEDAL PROTECTION	PROTECTION PEDALES	PROTECCIÓN PEDAL RAL3000	1	RAL3000			X	
18	1-32601	SCREW TE 8X20 8.8	VIS H	TORNILLO TE	1				X	
19	EAS2100G95A	PEDAL-REVERSER PROTECTION	PROTECTION PÉDALE INVERSEUR	PROTECCIÓN PEDAL INVERSOR	1				X	
20	EAC0097G52A	FOOT-SQUARE	SUPPORT CARRE	SOPORTE PIE CUADRADO	1				X	
21	1-26233A	NUT-S.LOCK-HIGH- M14 5S	ECROU AUTOBL. M14 5S	TUERCA M14 5S AUTOBL.ALTO	2				X	
22	EAS2087G92A	BLADE, BEAD BREAKER	PALETTE DETALONNEUR	PALETA DESTALONADOR	1				X	
23	1-5246	WASHER 14MM	RONDELLE d.14	ARANDELA ELAST.OND.TIPO B D.14	1				X	
24	EAM0086G49A	SCREW, BLADE	VIS POUR PALETTE	TORNILLO PARA PALETA	1				X	
25	EAS2087G52A	SUPPORT PALLET	SUPPORT PALETTE	SOPORTE PALETA	1				X	
26	EAM0070G15A	WASHER- ADJUSTMENT	RONDELLE DE REGLAGE	ARANDELA DE REGULACION	1				X	
27	EAS2133G63A	ARM PALLET	BRAS PALETTE	BRAZO PALETA	1					X
28	1-19452A	PIN, CYLIN.	GOUJON CYLIND.	VASTAGO CYLIND.	1					X
29	EAC0078G04A	HANDLE-RUBBER	POIGNEE POUR LEVIER	MANIJA PARA PALANCA	1					X
30	1-16409A	SCREW TCEI 6X20 8G	VIS CHc	TORNILLO TCEI	1	M6X20				X
31	EAC0078G03A	CIRCULAR RUBBER FOOT	SABOT CIRCULAIRE	PIE CIRCULAR	1					X
32	EAA0328G72A	PIN - LOCK	GOUPILLE DE REGLAGE	ESPINA DE REGLAJE	1					X

A = available - disponible - disponible

B = on request - sur demande - a petición

C = suggested - suggeré - sugerido

Pos	Code	Designation	Désignation	Designación	N.	Note	Nota	A	B	C
33	EAC0099G22A	PAD- SUPPORT, BEADBREAKER	PALIER APPUI DETALONNEUR	TAMPÓN SOPORTE DESTALONADOR	1			X		
34	EAC0097G51A	WASHER - SHOCK ABSORBER	RONDELLE- AMORTISSEMENT	ARANDELA DE AMORTIGUACIÓN	1			X		
35	EAM0168G02A	ARM.BEAD BREAKER SPACER	ENTRETOISE BRAS DETALONNEUR	DISTANCIADOR BRAZO DESTALONADOR	1			X		
36	1-24423A	SCREW -S.THREAD, 10EX13TE	VIS AUTOTAR.	TORNILLO AUTOF.	1			X		
37	1-19041A	WASHER 5X16X1	RONDELLE 5X16X1 BRUNIE	ARANDELA 5X16X1	1			X		
38	EAC0094G23A	TOWER COVER BASE	CARTER BASE POTENCE	CÁRTER BASE POSTE	1			X		
38	EAM0192G14A	BASE COLUMN COVER	CARTER BASE POTENCE	CÁRTER BASE POSTE	1			X		
39	1-9841	WASHER,PLAIN d6 ZINC.	RONDELLE d.6	ARANDELA P.D.6 GALVANIZ.	1			X		
40	1-16309	SCREW HEX SOCKET M 6X16	VIS CHc	TORNILLO TCEI	1			X		
41	EAA0349G76A	RING- BOX, GREASE	COURONNE BOITE GRAISSE	ANILLO PORTAGRASA GALVANIZADO	1				X	
42	EAM0086G48A	HANDGRIP	PRISE	EMPUÑADURA	1			X		
43	1-19177A	RING-SNAP,HOLES d.24	BAGUE DE BUTEE ,TROUS d.24	ANILLO DE PARO PARA ORIFICIOS D.24	1			X		
44	1-10241A	WASHER -PISTON d.12	RONDELLE DIAM 12	ARANDELA P.D.12 GALVANIZ.	1			X		
45	EAM0052G37A	SPRING- HANDLE, BEAD	RESSORT POIGNEE TALON	MUELLE MANIJA TALON	1			X		
46	EAM0086G47A	PIN, PADDLE POSITION	GOUJON POSITION PALETTE	VÁSTAGO POSICIÓN PALA	1				X	
47	1-23852A	PIN-SPLIT 6X50	BROCHE ELASTIQUE	PASADOR ELÁSTICA	1				X	
48	EAM0067G00A	STUD CHAIN, ANTI-WITHDRAWING L=295+300	CHAINE ANTI-DESENFILÉ L=295+300mm	CADENA ANTI-DESGRANE L=295+300mm	1			X		

A = available - disponible - disponible

B = on request - sur demande - a petición

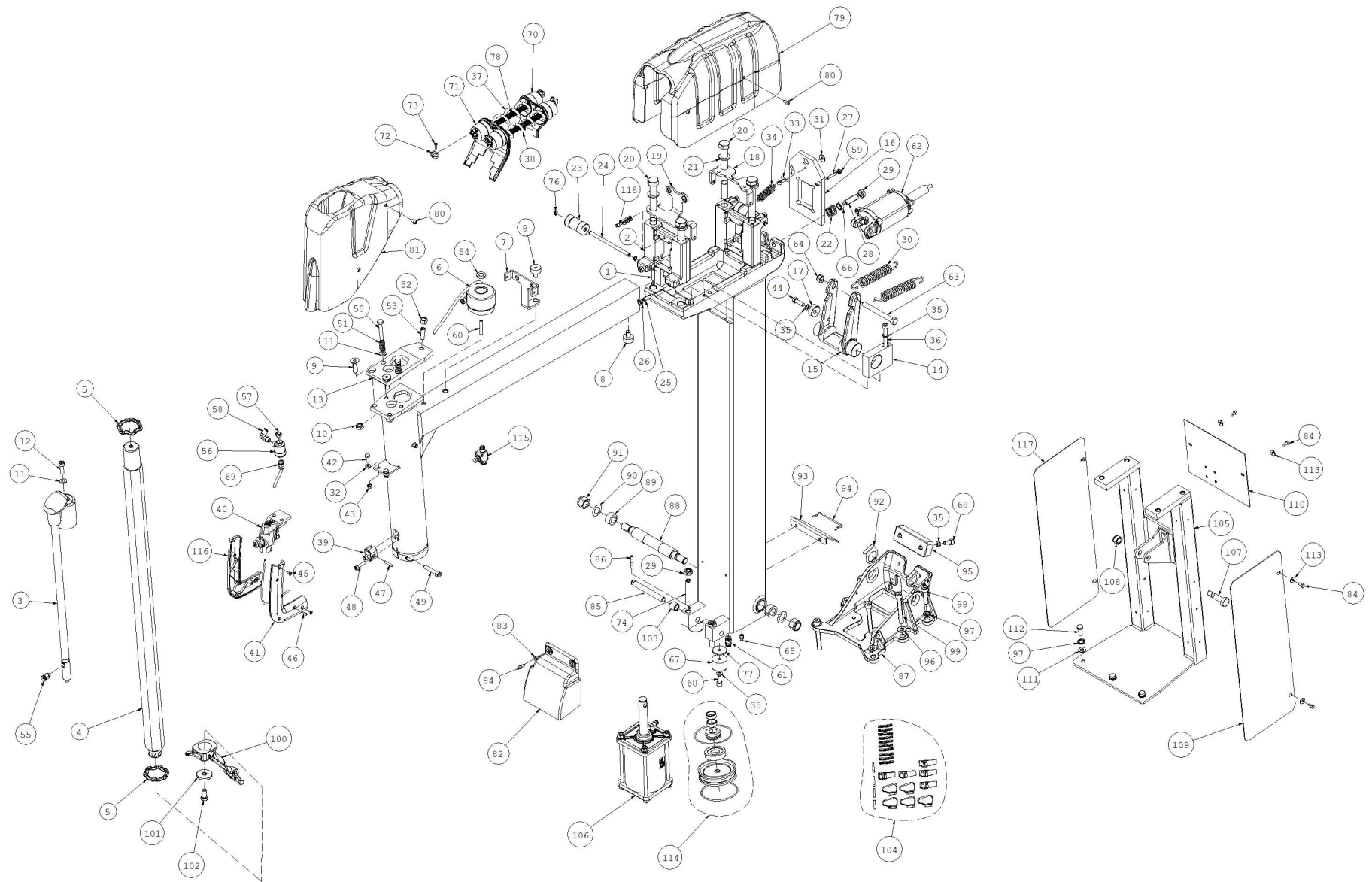
C = suggested - suggeré - sugerido

Pos	Code	Designation	Désignation	Designación	N.	Note	Nota	A	B	C
49	1-26052A	PIN-SPLIT 10X60	BROCHE ELASTIQUE	PASADOR ELÁSTICA	1			X		
50	1-19409	SCREW TCEI 10X40	VIS CHc	TORNILLO TCEI	1			X		
51	1-04943A	SPRING -WASHER DI 10.3X22X1.25	RESSORT CREUSE DI 10.3X22X1.25	MUELLA CÓNICO DI10.3X22X1.25	1				X	
52	EAS2133G06A	WASHER, FRICTIONING	RONDELLE QUI FRICTIONNE	ARANDELA DE FRICCIÓN	1			X		
53	EAM0087G05A	RING TO SHAVE	BAGUE DE RASAGE	ANILLO DE ENRASE	1				X	
54	EAM0086G16A	FULCRUM-PIN BEAD-BREAKER	AXE PIVOT DETALONNEUR	PERNO PIVOTE DESTALONADOR	1			X		
55	EAS2087G79A	SUPPORT- BEAD BREAKER ARM	SUPPORT BRAS DETALONNEUR	SOPORTE BRAZO DESTALONADOR	1			X		
56	EAM0056G92A	CLIP 6X57.5 DIN1481	FICHE ELASTIQUE D.6X57.5	PASADOR ELASTICO D.6X57.5	1				X	
57	1-02138A	RING NUT,METAL- SELF LOCK.	COLLIER DE SERRAGE AUTOBLOQUANT	ABRAZADERA AUTOBLOCCANTE	1			X		
58	EAM0006G06A	WHEELGUARD SPRING	RESSORT PROTECTION ROUE	MUELLE PROTECCIÓN RUEDA	1			X		

A = available - disponible - disponible

B = on request - sur demande - a petición

C = suggested - suggeré - sugerido



Pos	Code	Designation	Désignation	Designación	N.	Note	Nota	A	B	C
1	1-23252A	PIN D6x30 UNI-EN 28734B	GOUPILLE CYLINDRIQUE	PASADOR CILÍNDRICA	8			X		
2	EAM0048G27A	SUPPORT FOR SLIDING ROD 70x50	SUPPORT ROULEMENT TIGE 70X50	SOPORTE DESLIZAMIENTO ASTA 70X50	2			X		
3	EAA0344G31A	ROD ELEVATOR	ROD ELEVATOR	ROD ELEVATOR	1			X		
4	EAM0053G47A	HEXAGONAL ROD	BARRE HEXAGONALE	BARRA HEXAGONAL	1				X	
5	EAC0094G02A	RING, SHOCK-ABSORBER	BOUCLE AMORTISSEUR	ANILLO AMORTIGUADOR	2			x		
6	EAA0344G32A	VERTICAL LOCKING CYLINDER	VERIN- BLOCAGE VERTICAL	CILINDRO BLOQUEO VERTICAL	1			x		X
7	EAS2096G70A	PROTECTIONS SUPPORT	SUPPPORT PROTECTIONS	SOPORTE PROTECCIONES	1			X		
8	EAC0094G00A	ARM RETAINING SCREW	VIS ARRET BRAS	TORNILLO DE PARO BRAZO	2			X		
9	1-26103A	SCREW TSEI 10X35 10.9	VIS FHc	TORNILLO TSEI	2			X		
10	1-19633B	NUT- M10 6S BLK UNI5589-65	ECROU M10 6S	TUERCA M10 CL.8 BR	2	M10		X		
						UNI5589-65				
11	1-17741	WASHER d.8	RONDELLE P.d.8 ZINC.JAUNE	ARANDELA P.D.8	3			X		
12	1-17809A	SCREW 8X25 8.8 A2J UNI5931-67	VIS CHc	TORNILLO TCEI	1	8X25 8.8 A2J		X		
						UNI5931-67				
13	EAS2096G72A	VERTICAL STRANGLE	ETRANGLEUR VERTICAL	ESTRANGULADOR VERTICAL	1			X		
14	EAM0053G48A	CAM SUPPORT FRONT H STRANGLE	SUPPORT CAME ETRANGLEUR H AVANT	SOPORTE LEVA ESTRANGULADOR H DELANT	2				x	
15	EAM0053G49A	HORIZONTAL STRANGLE CRANCK MECHANIS TRANSMISSION CAME ETRANGLEUR H		MECANISMO DE LEVAS ESTRANGULADOR H	1			X		
16	EAS2096G74A	H STRANGLE PLATE	PLATEAU ETRANGLEUR H	PLATO ESTRANGULADOR H	1				X	
17	EAM0053G50A	LOCKING CAM	EXCENTRIQUE REGLAGE ETRANGLEUR H	EXCÉNTRICA REGISTRO ESTRANGULADOR H	1				x	

A = available - disponible - disponible

B = on request - sur demande - a petición

C = suggested - suggeré - sugerido

Pos	Code	Designation	Désignation	Designación	N.	Note	Nota	A	B	C
18	EAS2096G75A	HOOK SPRING PLATE	PLATEAU PRISE RESSORTS	PLATO PARA ENGANCHE MUELLES	1			X		
19	EAS2096G76A	SPIRAL PIPES CONNECTION SHEET	TOLE RACCORD TUBES SPIRALES	CHAPA CONEXIÓN TUBOS EN ESPIRAL	1			X		
20	1-51401A	HEX SCREW M16 x 150 ISO 4014 Zinc.	VIS	TORNILLO	4			X		
21	1-25941A	PLANE WASHER D16x27x2.5 UNI1750 ZINC	RONDELLE PLATE	ARANDELA	4			X		
22	EAM0053G51A	SPRING-RECALL, LEVER, LOCKING	RESSORT RETOUR LEVIER BLOCAGE	MUELLE REGRESO PALANCA BLOQUEA	2			X		
23	EAM0053G52A	SLIDING ROD ROLLER	ROULEAU COULISSEMENT TIGE	RODILLO DESLIZAMIENTO VARILLA	2			X		
24	EAM0053G53A	SLIDING ROLL 70x50 ROD	ARBRE ROULEAU COULISSEMENT 70X50	ARBOL RODAMIENTO DESLIZAMIENTO 70x50	2			X		
25	EAM0053G54A	ROD 70x50 SLIDING ROLL REGISTER	TIGE 70x50	ASTA 70x50	4				X	
26	1-15933A	NUT M8 DIN 936 - UNI 5589	ECROU M8 6S	TUERCA M8 CL.8 BR BAJO	4			X		
27	1-51910A	SCREW STEI 6X30 12K	VIS FHc	TORNILLO STEI	2				X	
28	1-14810	SCREW SSCR M12x40 DIN 913 Burn.	VIS FHc	TORNILLO STEI	2			X		
29	1-22733A	NUT - M12 6S	ECROU M12 6S	TUERCA M12 CL.8 BR	4			X		
30	EAM0053G55A	CAM RETURN SPRING	RESSORT	MUELLE	2			x		
31	1-20041A	WASHER - d.6X18	RONDELLE d.6X18	ARANDELA COMUN D.6X18 GALVANIZ.	1			X		
32	1-13241	WASHER,FLAT, d.6	RONDELLE DIAM 6	ARANDELA PLANA D.6 BR	5			X		
33	1-23152A	SPLIT PIN D5x28 UNI 1336 Zinc	GOUPILLE	CLAVIJA	1			X		
34	EAM0053G58A	SPRING PIN	RESSORT RAPPEL PISTON	MUELLE DE REGRESO PISTON	1			x		

A = available - disponible - disponible

B = on request - sur demande - a petición

C = suggested - suggeré - sugerido

Pos	Code	Designation	Désignation	Designación	N.	Note Nota	A	B	C
35	1-25841A	PLANE WASHER Di 8.4x14x1.6 UNI6592 ZINC	RONDELLE	ARANDELA	7	D8.4x14x1.6 UNI6592 Z	X		
36	1-30609	SCREW, HEX SOCKET HEAD M/8x65	VIS CHc	TORNILLO TCEI	2		X		
37	EAM0053G60A	SPIRAL PIPE POLYURETHAN ø6x4	TUBE SPIRALE POLYURETHANNE ø6x4	TUBO EN ESPIRAL POLIURETANO ø6x4	1			X	
38	EAM0053G59A	SPIRAL PIPE POLYURETHAN ø6x4	TUBE SPIRALE POLYURETHANNE ø6x4	TUBO EN ESPIRAL POLIURETANO ø6x4	1		X		
39	EAC0094G14A	BODY,HANDLE FIXING	CORPS FIXATIONPOIGNEE	CUERPO AJUSTE MANILLA	1		x		
40	EAA0338G09A	VALVE,LIFT CONTROL	SOUPAPE CONTROLE ELEVATEUR	VALVULA MANDO ELEVADOR	1		x		X
41	EAC0094G03A	HANDLE, RIGHT ST.1801	POIGNEE, DROITE ST.1801	MANIJA, DERECHA ST.1801	1		x		
42	1-14701A	SCREW HEX HEAD MACHINE 6X16 8G	VIS H	TORNILLO TE	2		X		
43	1-9933	NUT, PREVAILING TORQUE M6	ECROU M6 AUTO-BL.	TUERCA M6 AUT. BAS.CL.6	2		X		
44	1-32701A1	SCREW M8X25	VIS H	TORNILLO TE	1	M8 x 25 933	X		
45	1-21223A	SCREW, SELF-TAPPING (M3.5X13MM)	VIS AUTOTAR.	TORNILLO AUTORR.	4		X		
46	1-11204A2	SCREW,TCB PHILIPS HEAD M3X10	VIS CB CRUC.	TORNILLO TBC A CRUZ	4		X		
47	EAM0053G61A	ROLLER, MODIFIED D.4X25,8	ROULEAU MODIFIE D.4X25,8	RODILLO MODIFICADO D.4X25,8	1		X		
48	1-16509A1	SCREW TCEI 6X25 8G	VIS CHc	TORNILLO TCEI	2		X		
49	1-30109A	SCREW	VIS	TORNILLO	1		X		
50	1-39901A	SCREW M 8X50 ISO4017 - DIN933	VIS H	TORNILLO TE	2		X		
51	EAM0053G62A	SPRING ADJUSTMENT	RESSORT RETOUR LEV. ETRANG.	MUELLE REGRESO PALANCA AJUSTE ALIM.	2		X		

A = available - disponible - disponible

B = on request - sur demande - a petición

C = suggested - suggeré - sugerido

Pos	Code	Designation	Désignation	Designación	N.	Note	Nota	A	B	C
52	1-15433	NUT M10 YELLOW ZINCKED DIN 934	ECROU M10 6S	TUERCA M10 CL.8 GALV. BLANCO	1			X		
53	1-13310	SCREW 10X30 12K	VIS FHc	TORNILLO STEI	1			X		
54	EAM0053G63A	WASHER- REINFORCEMENT	RONDELLE DE SOUTIEN	ARANDELA DE REFUERZO GALV. BLANCA	1				X	
55	1-15079A	FITTING 1/8-4	RACCORD 1/8-4	CONEXIÓN RÁPIDA 2X 1/8-4	1			X		
56	1-26981A	VANNE,EXHAUST-QUICK 1/8	VANNE D'ECHAPPEMENT 1/8	VALVULA DE ESCAPE 1/8	1			X		
57	EAM0032G91A	MUFFLER 1/8	SILENCIEUX 1/8	SILENCIADOR 1/8	1			X		
58	1-15379A	FITTING-90 DEG,FIXED L 4X6 1/8	RACCORD A L 4x6 1/8	CONEXIÓN RAPIDO DE 'L' 4x6 1/8	1			X		
59	1-17833A	HEX.NUT M6 6S	ECROU M6 6S	TUERCA M6 CL.8 BR-BAJO	2			X		
60	1-23352A	PIN - 6X40	BROCHE ELASTIQUE	PASADOR ELÁSTICA	1			X		
61	1-15179A	STRAIGHT FITTING RAPID CONNECTOR 6x4 M	RACCORD RAPIDE 6x4 M12	CONEXION RAPIDA 6x4 M12	1			X		
62	EAA0344G33A	CYLINDER ø63	CYLINDRE ø63	CILINDRO ø63	1			x		
63	1-48601A	SCREW 10X100 10.9 A2R UNI5737-65	VIS H	TORNILLO TE	1			X		
64	1-10133	NUT -S.LOCK,LOW - M10	ECROU AUTOBL.BAS M10	TUERCA M10 AUT.BAS.CL.6	1				X	
65	1-18084A	GREASER-NIPPLE M8x1,25	GRAISSEUR A BILLES	ENGRASADOR A ESFERA M8x1,25	1			X		
66	EAM0053G70A	BUSHING- CENTERING, SCREW	DOUILLE CENTRAGE VIS	CASQUILLO CENTRAJE TORNILLO	2			X		
67	EAC0094G07A	PAD, SHOCK-ABSORBER	TAMPON AMORTISSEUR	TOPE AMORTIGUADOR	2			X		
68	1-17709	SCREW TCEI 8X20 8G	VIS CHc	TORNILLO TCEI	4			X		

A = available - disponible - disponible

B = on request - sur demande - a petición

C = suggested - suggeré - sugerido

Pos	Code	Designation	Désignation	Designación	N.	Note	Nota	A	B	C
69	1-11579A	FITTING-STRAIGHT 4X6 1/8	RACCORD 4x6 1/8	CONEXIÓN RAPIDO 4x6 1/8	1			X		
70	EAC0087G88A	CENTRAL SPIRAL PIPES PROTECTION	CARTER CENTRAL TUBES SPIRALES	CÁRTER CENTRAL TUBOS EN ESPIRAL	1			X		
71	EAC0087G85A	SPIRAL PIPES PROTECTION	CARTER TUBES SPIRALES	CÁRTER TUBOS EN ESPIRAL	1			X		
72	EAC0087G97A	CLAMP	ETAU/MORS	MORDAZA	4			X		
73	1-24823A	SCR, PHIL PNH 3.5 x 16 mm ISO 7049-F	VIS AUTOTARAUD	TORNILLO AUTORR.	4			X		
74	1-52010A	SCREW STEI M12X70 12.9	VIS FHc	TORNILLO STEI	2				X	
76	1-3477	RING- SNAP, SHAFT d.8	BAGUE DE BUTEE,AXE d.8	ANILLO DE PARO PARA ARBOL D.8	4			X		
77	EAM0075G51A	WASHER Ø8.5x34	RONDELLE	ARANDELA Ø8.5x34	2			X		
78	1-07667A	TENSION SPRING	Ressort de traction	MUELLE DE TRACCIÓN	2			x		
79	EAM0086G10A	CENTRAL UPPER PROTECTION TILTING TOW CARTER SUP.CENTR.		CÁRTER SUP.CENTR.	1			X		
80	1-54609A	SCREW M6 x 10mm ISO7380 Zinc.	VIS BHc	TORNILLO TBEI	8			X		
81	EAC0087G84A	PROTECTION-UPPER, TOWER	PROTECTION SUPERIEUR	PROTECCIÓN SUPERIOR	1			X		
82	EAC0094G25A	FRONT PROTECTION TOWER	CARTER AVANT POTENCE	CÁRTER DELANTERO POSTE	1			X		
83	1-31241A	WASHER D.5 MM	RONDELLE DIAM 5	ARANDELA PLANA D.5 BR	2			X		
84	1-24423A	SCREW -S.THREAD, 10EX13TE	VIS AUTOTAR.	TORNILLO AUTOF.	8			X		
85	EAM0127G82A	CORE PISTON D12mm	TIGE PISTON D12MM	PERNO PIVOTE PISTÓN D12mm	1			X		
86	EAM0127G83A	HEX SCREW M6x35 WORKED	VIS H M 6X35	TORNILLO TE 6X35	1			X		

A = available - disponible - disponible

B = on request - sur demande - a petición

C = suggested - suggeré - sugerido

Pos	Code	Designation	Désignation	Designación	N.	Note	Nota	A	B	C
87	EAM0080G77A	TOWER SUPPORT MACHINED	SUPPORT POTENCE	SOPORTE POSTE MECANIZADO	1			X		
88	EAM0051G65A	TOWER - AXLE PIN	AXE POTENCE	PERNO PIVOTE POSTE	1			X		
89	EAM0075G52A	BUSHING, CONIC - TOWER	GOUPILLE CONIQUE AXE POTENCE	CASQUILLO CÓNICO PIVOTE POSTE	2			X		
90	EAM0051G74A	WASHER-SHIM 30X17X0.3	RONDELLE	ARANDELA	2			X		
91	1-02637A	NUT - S.LOCK,HIGH- M16 5S	ECROU M16 5S	BULON M16 5S AUTOBL. ALTO	2			X		
92	EAM0086G15A	C67 WASHER THK 0.8	RONDELLE sp.0.8 C67	ENRASE esp. 0.8 C67	2			X		
93	EAS2130G10A	PROTECTION, REAR- TOWER	PROTECTION POSTERIEURE POTENCE	PROTECCIÓN TRASERA PALO NEGRO RECUB	1			X		
94	EAM0006G49A	RETAINER-FLAP	ARRET PROTECTION TIGE	TOPE DE PROTECCIÓN POSTE	1			X		
95	EAM0080G29A	CLAMP, OVERTURNING	ARRET POTENCE BASCULANTE	TOPE POSTE VOLCABLE	1			X		
96	1-10141A1	WASHER P.d.10	RONDELLE D 10	ARANDELA D 10	4			X		
97	1-3148	EXT.SHAKEPROOF d.10 DIN 6798/A	RONDELLE DEINTEE d.10	ARANDELA DENTADA E D.10	5			X		
98	1-19409	SCREW TCEI 10X40	VIS CHc	TORNILLO TCEI	2			X		
99	1-57309A	SCREW TCEI 10X80 8G ZINC.BIANC UNI 5931- VIS CHc		TORNILLO TCEI	4			X		
100	EAA0329G95A	MOUNTING/DEMOUNTING TOOL	OUTIL P. MONTAGE ET DEMONTAGE	HERRAMIENTA P. MONTAJE Y DESMONTAJE	1			X		X
101	EAM0032G02A	WASHER- TOOL CLAMPING	RONDELLE FIXATION OUTIL	ARANDELA BLOQUEO HERRAMIENTA	1			X		
102	1-34301A	SCREW HEX 10X20 8G	VIS H	TORNILLO TE	1			X		
103	EAM0125G79A	BUSHING, CENTERING- SPRING	COQUILLE SIEGE RESSORT	ARO CENTRAJE RESORTE	1			X		

A = available - disponible - disponible

B = on request - sur demande - a petición

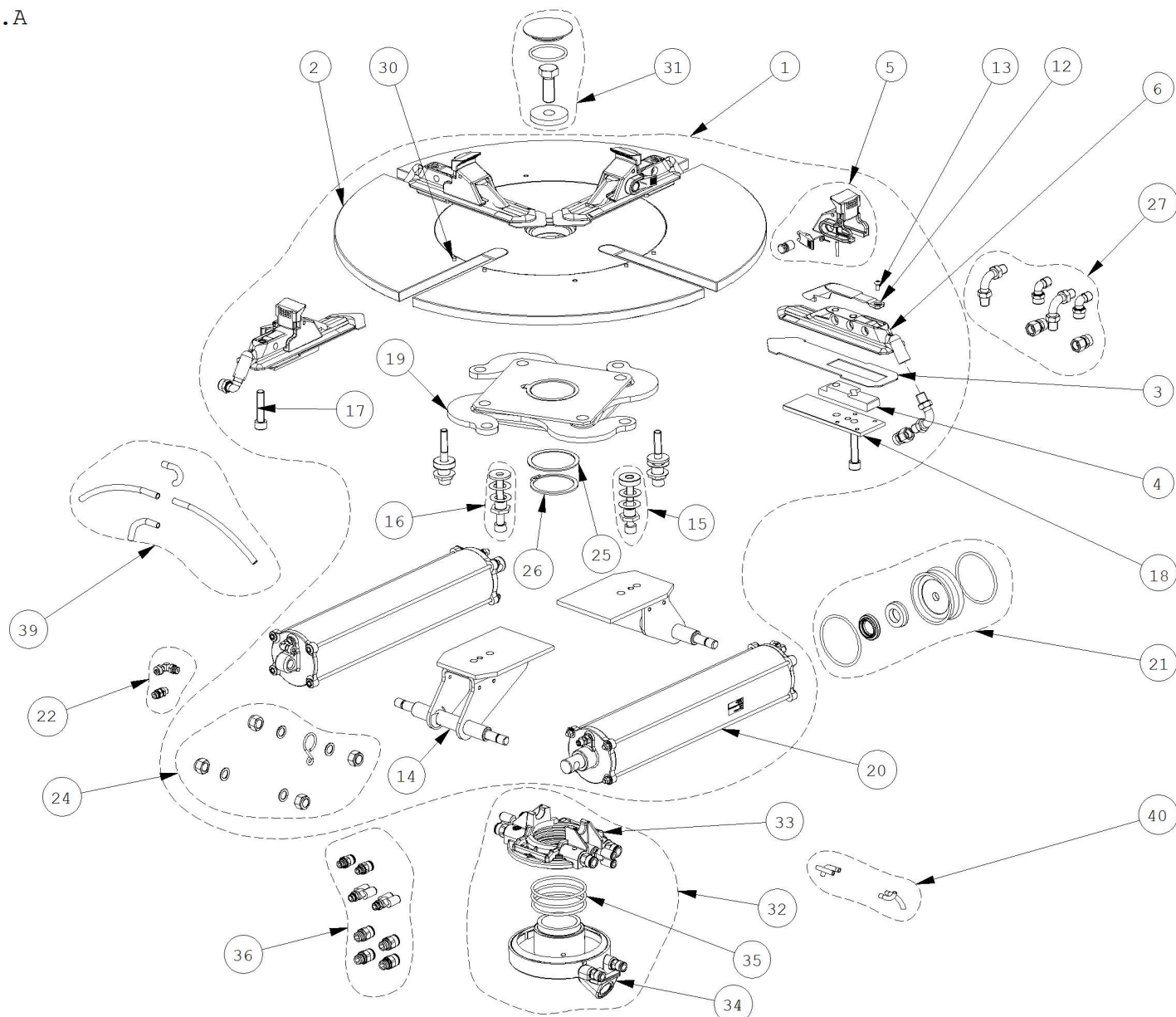
C = suggested - suggeré - sugerido

Pos	Code	Designation	Désignation	Designación	N.	Note	Nota	A	B	C
104	EAA0372G24A	PROTECTIONS FOR MOUNTING TOOLS	PROTECTIONS FOR MOUNTING TOOLS	GRUPO PROTECCIONES UNIFICADAS PARA H	1			x		X
105	EAS2111G07A	BACK SUPPORT , TILT POST	SUPPORT ARR. POTENCE BASCUL.	SOPORTE TRAS. POSTE ABATIBLE	1			X		
106	EAA0356G14A	CYLINDER TILTING TOWER	VERIN POTENCE BASCULANTE	CILINDRO POSTE VOLCABLE	1			X		
107	EAM0069G81A	CYLINDER FITTING SCREW	VIS FIXATION VERIN	TORNILLO FIJACIÓN CILINDRO	1			X		
108	1-19933A	NUT - LOCK - M12 DIN985	ECROU AUTOBLOQUANT M12	TUERCA M12 AUTOBLOQUEO CL6	1			X		
109	EAS2087G76A	TIMING CASE, SIDE	CARTER LATÉRAL	CARTER LATERAL	1			X		
110	EAA0376G51A	TIMING CASE, BACK	CARTER POSTERIEUR	CARTER POSTERIOR	1				X	
111	1-10041	WASHER D.8	RONDELLE DIAM 8	ARANDELA PLANA D.8 GALVANIZ.	3			X		
112	1-32601A	SCREW TE 8X20 8G	VIS H	TORNILLO TE	3			X		
113	1-19041A	WASHER 5X16X1	RONDELLE 5X16X1 BRUNIE	ARANDELA 5X16X1	6			X		
114	EAA0356G43A	SEALS,KIT FOR TILTING-TOWER CYLINDER D KIT JOINTS VERIN BASCULEMENT D.90		KIT JUNTAS CILINDRO ABATIBLE D.90	1			X		x
115	1-26481A	SPEED CONTROLLER FLAT	SOUPAPE REGLAGE UNIDIRECTIONN.06	VALVULA REGULADOR UNIDIRECT.06	1			X		
116	EAA0362G33A	LEFT HANDLE WITH INSERTS	MANETTE GAUCHE AVEC INSERTS	MANIJA IZQUIERDA CON INSERTOS	1				X	
117	EAA0440G21A	RAL 9005 LATERAL COVER	COUVERTURE LATERALE	COBERTURA LATERAL	1		RAL 9005		X	
117	EAA0502G16A	BLK LATERAL COVER	COUVERTURE LATERALE NOIR	COBERTURA LATERAL NEGRO	1		BLACK		X	
118	1-14909	SCREW	VIS	TORNILLO	1		8.8 M5x12 ISO4762		X	

A = available - disponible - disponible

B = on request - sur demande - a petición

C = suggested - suggeré - sugerido



Pos	Code	Designation	Désignation	Designación	N.	Note	Nota	A	B	C
1	EAA0409G88A	12-26" TURNTABLE CENTRE TYPE GT	AUTOCENTRANT 12-26" CONV.CENT. GT	AUTOCENTRADOR 12-26" CONV.CENT. GT	1				X	
2	EAS2153G40A	PLATE- TURNTABLE,CENTRAL 20"	BRIDE AUTOCENTRANTE CEN 20"	BRIDA AUTOCENTRANTE CEN 20"	1			X		
3	EAM0043G15A	GUIDE, 26" SLIDING JAWS	GUIDE ETAU MOBILE 26" CENTRE	GUÍA MORS. CORRED. 26" C/CENTRO	1			X		
4	EAM0043G44A	SPACER CLAMP 26"	ENTRETOISE ETAU 26"	DISTANCIADOR ABRAZADERA 26"	1			X		
5	EAA0408G23A	ASSEMBLED SLIDING JAW C/TYPE V2	CALE COULISSANTE C/C ASSEMBLEE V2	CUÑA DESLIZANTE C/C MONTADO V2	1			x		
6	EAM0086G02A	CLAMP, SLIDING W/CENTRE 26"	ETAU COULISSANT A.CENTRE 26"	ABRAZADERA CORREDERA C/CENTRO 26"	1			X		
12	EAC0099G90A	JAWS PROTECTION	PROTECTION ETAUX	PROTECCIÓN ABRAZADERA NUEVO ST.	1			x		X
13	1-36109A2	SCREW TBEI 5X10 8G	VIS BHc	TORNILLO TBEI	1			X		
14	EAA0377G79A	BRACKET CYLINDERS	SIEGE VERINS	ESTRIBO CILINDROS	1			X		
15	EAK0329G88A	SCREWS AND BOLTS WITH ECCENTRIC	KIT VIS AVEC EXCENTR.PLAQUE BORNES	KIT TORNILLOS EXCÉNTR.PLACA BORNES	1			x		
16	EAK0329G89A	SCREWS AND BOLTS FOR CLAMPS	KIT VIS PLATEAU COMMANDE BORNES	KIT TORNILLOS PLACA MANDO BORNES	1			x		
17	1-19509A	SCREW TCEI 10X45 8G	VIS CHc	TORNILLO TCEI	1	UNI 5931-67		X		
18	EAM0043G49A	CLAMP ADJUSTMENT PLATE	PLATEAU REGLAGE ETAU	PLATO REGLAJE GARRA	1			x		
19	EAA0351G73A	CLAMPING PLATE	PLAQUE DE FIXATION	PLACA MANDO BORNES	1				X	
20	EAA0410G31A	CYLINDER, TURNTABLE	CYLINDRE AUTOCENTRANT	CILINDRO AUTOCENTRADOR	1			X		
21	EAK0317G36A	TURNTABLE CYLINDER SEALS KIT	KIT JOINTS CYLINDRES RONDOS	KIT JUNTAS CILINDROS REDONDOS	1			x		
22	EAK0330G35A	TT CYLINDER FITTINGS KIT	KIT RACCORDS CYLINDRE AUTOCENTRANT	KIT RACORES CILINDRO AUTOCENTRADOR	1				X	

A = available - disponible - disponible

B = on request - sur demande - a petición

C = suggested - suggeré - sugerido

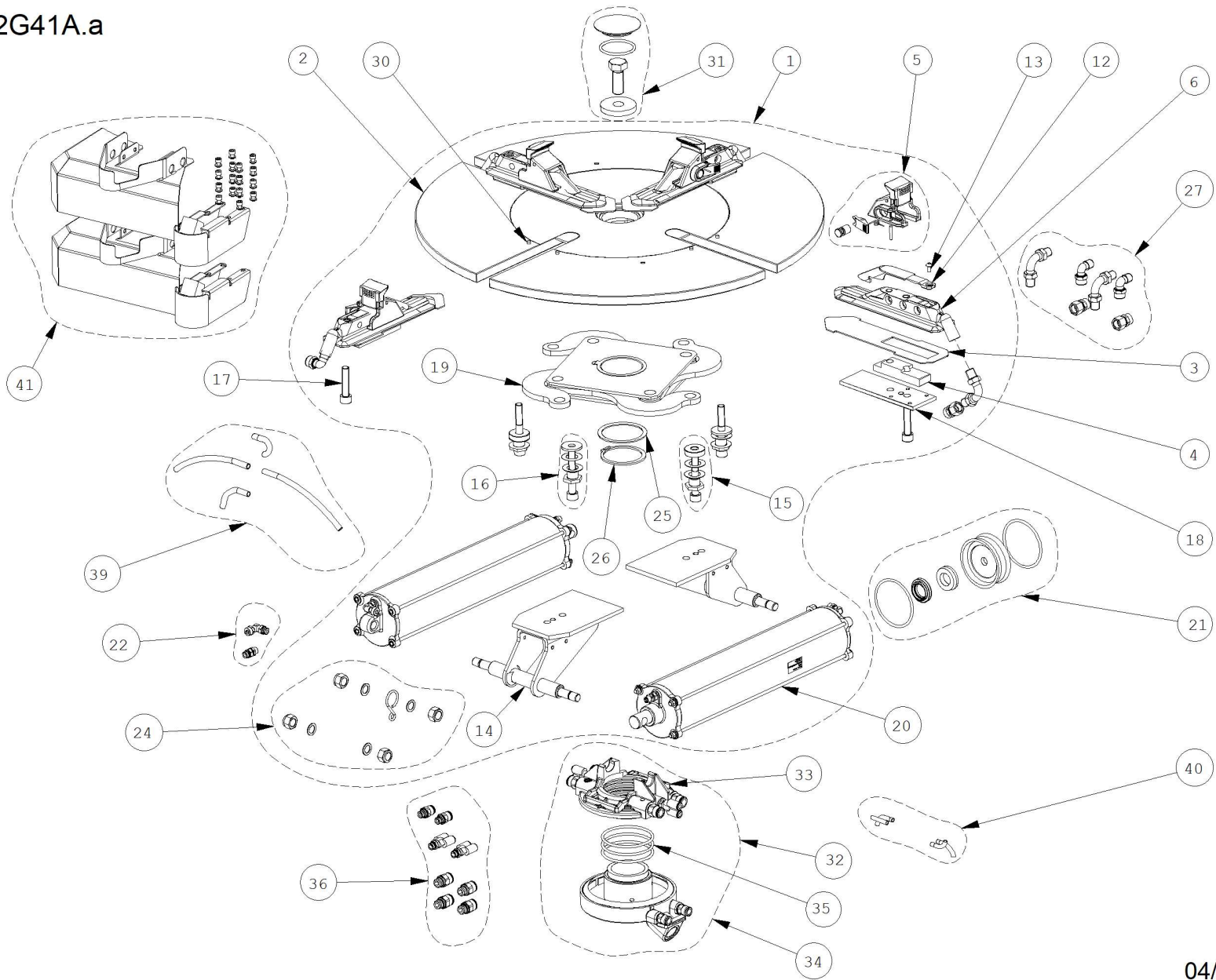
Pos	Code	Designation	Désignation	Designación	N.	Note	Nota	A	B	C
24	EAK0306G27A	SCREWS AND BOLTS FOR TURNTABLE CYL.	KIT VIS VERINS AUTOCENTRANT	KIT TORNILLOS CILINDROS AUTOCENTRADO	1			X		
25	EAM0051G85A	WASHER	BAGUE DE SOUTIEN	ARANDELA DE SOPORTE	1			x		
26	1-18677A	RING- STOP D.60	ANNEAU D'ARRET	ANILLO DE PARO PARA ÁRBOL D.60	1			x		
27	EAK0330G32A	GT SYSTEM FITTINGS KIT	KIT RACCORDS SYSTEME GT	KIT CONEXIONES SISTEMA GT	1					X
30	1-25952A	PIN DOWEL 5x10 UNI EN 28734	GOUPILLE	PASADOR	1			X		
31	EAK0306G25A	TURNTABLE FIXING KIT	KIT RACCORDEMENT AUTOCENTRANT	KIT CONEXIÓN AUTOCENTRADOR	1			x		
32	EAA0304G69A	REVOLVING MANIFOLD, TUBELESS INFLATOF	DISTRIBUTEUR TOURNANT GT	DISTRIBUIDOR GIRATORIO GT	1			x		
33	EAA0338G76A	RING, OUTER - MANIFOLD	COLLIER EXTERIEUR COLLECTEUR	ARO EXTERIOR COLECTOR	1			x		
34	EAA0338G27A	RING-INSIDE, WITH SUPPORTS	COLLIER INTERIEUR AVEC ROULEMEN	RUEDA CON CONEXIÓNS	1			x		
35	8-10814A	SEAL OR D.69.44X3.53	JOINT TORIQUE	JUARNICIÓN OR	1	ø69.44x3.53		x		
36	EAK0330G28A	REVOLVING MANIFOLD FITTINGS KIT	KIT RACCORDEMENT DISTRIB.TOURNANT	KIT RACORES DISTRIB. GIRATORIO	1					x
39	EAK0317G09A	HOSES KIT FOR GT NOZZLES	KIT TUYAUX POUR BUSES GT	KIT TUBOS PARA BOQUILLAS GT	1			X		
40	EAK0317G08A	HOSES KIT FOR 24" TURNTABLES	KIT TUYAUX POUR AUTO-CENTRANT 24"	KIT TUBOS PARA AUTOCENTRANTE 24"	1			X		

A = available - disponible - disponible

B = on request - sur demande - a petición

C = suggested - suggéré - sugerido

EAZ0122G41A.a



04/2018

Pos	Code	Designation	Désignation	Designación	N.	Note	Nota	A	B	C
1	EAA0409G88A	12-26" TURNTABLE CENTRE TYPE GT	AUTOCENTRANT 12-26" CONV.CENT. GT	AUTOCENTRADOR 12-26" CONV.CENT. GT	1				X	
2	EAS2153G40A	PLATE- TURNTABLE,CENTRAL 20"	BRIDE AUTOCENTRANTE CEN 20"	BRIDA AUTOCENTRANTE CEN 20"	1			X		
3	EAM0043G15A	GUIDE, 26" SLIDING JAWS	GUIDE ETAU MOBILE 26" CENTRE	GUÍA MORS. CORRED. 26" C/CENTRO	1			X		
4	EAM0043G44A	SPACER CLAMP 26"	ENTRETOISE ETAU 26"	DISTANCIADOR ABRAZADERA 26"	1			X		
5	EAA0408G23A	ASSEMBLED SLIDING JAW C/TYPE V2	CALE COULISSANTE C/C ASSEMBLEE V2	CUÑA DESLIZANTE C/C MONTADO V2	1			x		
6	EAM0086G02A	CLAMP, SLIDING W/CENTRE 26"	ETAU COULISSANT A.CENTRE 26"	ABRAZADERA CORREDERA C/CENTRO 26"	1			X		
12	EAC0099G90A	JAWS PROTECTION	PROTECTION ETAUX	PROTECCIÓN ABRAZADERA NUEVO ST.	1			x		X
13	1-36109A2	SCREW TBEI 5X10 8G	VIS BHc	TORNILLO TBEI	1			X		
14	EAA0377G79A	BRACKET CYLINDERS	SIEGE VERINS	ESTRIBO CILINDROS	1			X		
15	EAK0329G88A	SCREWS AND BOLTS WITH ECCENTRIC	KIT VIS AVEC EXCENTR.PLAQUE BORNES	KIT TORNILLOS EXCÉNTR.PLACA BORNES	1			x		
16	EAK0329G89A	SCREWS AND BOLTS FOR CLAMPS	KIT VIS PLATEAU COMMANDE BORNES	KIT TORNILLOS PLACA MANDO BORNES	1			x		
17	1-19509A	SCREW TCEI 10X45 8G	VIS CHc	TORNILLO TCEI	1	UNI 5931-67		X		
18	EAM0043G49A	CLAMP ADJUSTMENT PLATE	PLATEAU REGLAGE ETAU	PLATO REGLAJE GARRA	1			x		
19	EAA0351G73A	CLAMPING PLATE	PLAQUE DE FIXATION	PLACA MANDO BORNES	1				X	
20	EAA0410G31A	CYLINDER, TURNTABLE	CYLINDRE AUTOCENTRANT	CILINDRO AUTOCENTRADOR	1			X		
21	EAK0317G36A	TURNTABLE CYLINDER SEALS KIT	KIT JOINTS CYLINDRES RONDOS	KIT JUNTAS CILINDROS REDONDOS	1			x		
22	EAK0330G35A	TT CYLINDER FITTINGS KIT	KIT RACCORDS CYLINDRE AUTOCENTRANT	KIT RACORES CILINDRO AUTOCENTRADOR	1				X	

A = available - disponible - disponible

B = on request - sur demande - a petición

C = suggested - suggeré - sugerido

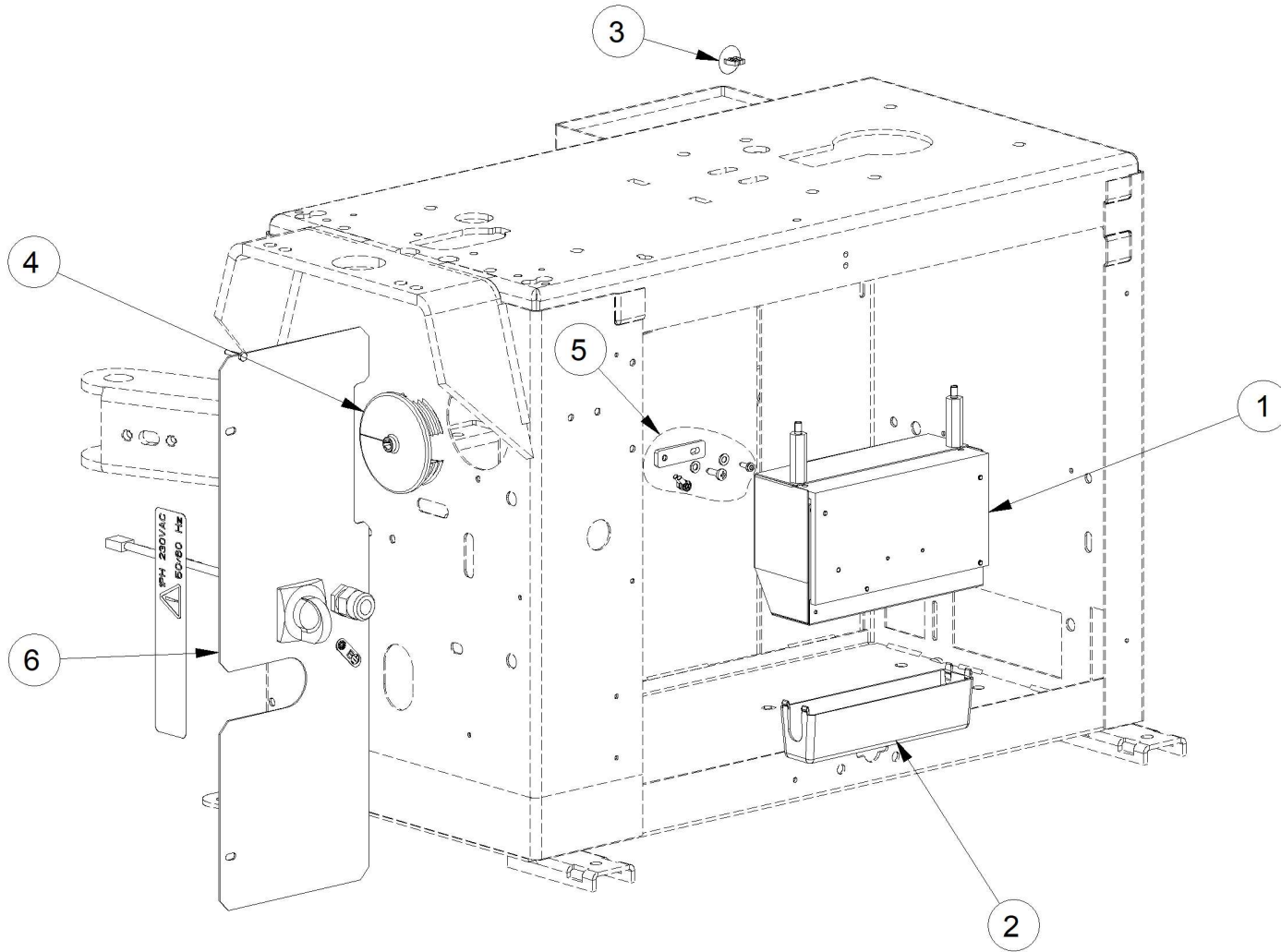
Pos	Code	Designation	Désignation	Designación	N.	Note	Nota	A	B	C
24	EAK0306G27A	SCREWS AND BOLTS FOR TURNTABLE CYL.	KIT VIS VERINS AUTOCENTRANT	KIT TORNILLOS CILINDROS AUTOCENTRADO	1			X		
25	EAM0051G85A	WASHER	BAGUE DE SOUTIEN	ARANDELA DE SOPORTE	1			x		
26	1-18677A	RING- STOP D.60	ANNEAU D'ARRET	ANILLO DE PARO PARA ÁRBOL D.60	1			x		
27	EAK0330G32A	GT SYSTEM FITTINGS KIT	KIT RACCORDS SYSTEME GT	KIT CONEXIONES SISTEMA GT	1					X
30	1-25952A	PIN DOWEL 5x10 UNI EN 28734	GOUPILLE	PASADOR	1			X		
31	EAK0306G25A	TURNTABLE FIXING KIT	KIT RACCORDEMENT AUTOCENTRANT	KIT CONEXIÓN AUTOCENTRADOR	1			x		
32	EAA0304G69A	REVOLVING MANIFOLD, TUBELESS INFLATOF	DISTRIBUTEUR TOURNANT GT	DISTRIBUIDOR GIRATORIO GT	1			x		
33	EAA0338G76A	RING, OUTER - MANIFOLD	COLLIER EXTERIEUR COLLECTEUR	ARO EXTERIOR COLECTOR	1			x		
34	EAA0338G27A	RING-INSIDE, WITH SUPPORTS	COLLIER INTERIEUR AVEC ROULEMEN	RUEDA CON CONEXIÓNS	1			x		
35	8-10814A	SEAL OR D.69.44X3.53	JOINT TORIQUE	JUARNICIÓN OR	1	ø69.44x3.53		x		
36	EAK0330G28A	REVOLVING MANIFOLD FITTINGS KIT	KIT RACCORDEMENT DISTRIB.TOURNANT	KIT RACORES DISTRIB. GIRATORIO	1					x
39	EAK0317G09A	HOSES KIT FOR GT NOZZLES	KIT TUYAUX POUR BUSES GT	KIT TUBOS PARA BOQUILLAS GT	1			X		
40	EAK0317G08A	HOSES KIT FOR 24" TURNTABLES	KIT TUYAUX POUR AUTO-CENTRANT 24"	KIT TUBOS PARA AUTOCENTRANTE 24"	1			X		
41	EAA0458G97A	ANTI ENTRAPMENT PROTECTION KIT, 26"	KIT DE PROTECTION ANTI-ENTRAINEMENT	KIT DE PROTECCIÓN ANTI-ARRASTRE	1			X		X

A = available - disponible - disponible

B = on request - sur demande - a petición

C = suggested - suggeré - sugerido

EAZ0122G44A.B



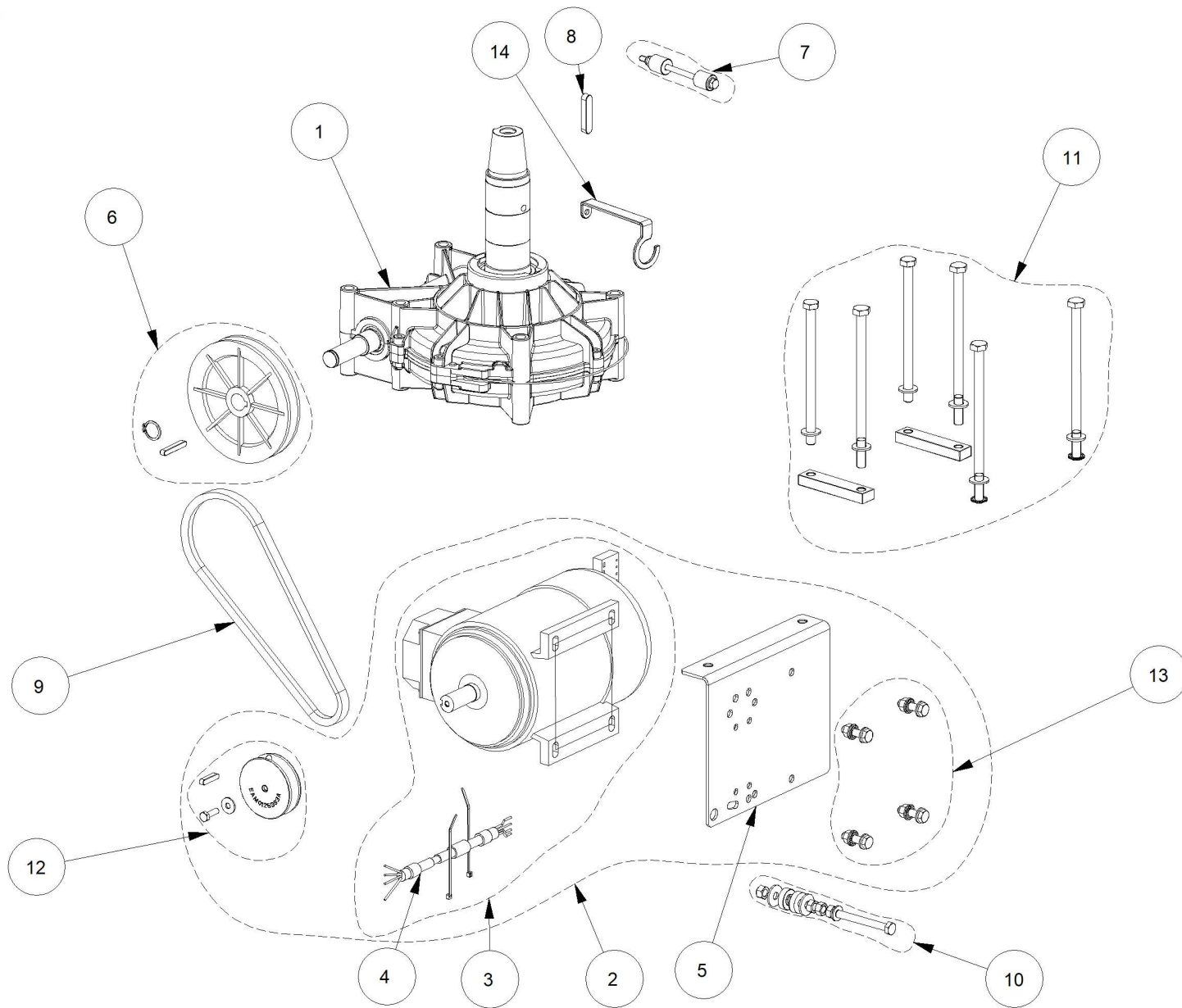
05/2018

Pos	Code	Designation	Désignation	Designaciòn	N.	Note	Nota	A	B	C
1	EAK0341G07A	INVERTER GROUP ENHANCED POTENTIOME	GROUPE POUR ONDULEUR POTENTIOMÈTRE	GRUPO INVERTER POTENCIÓMETRO EVOLUC	0	14 rpm new		X		
2	EAC0103G88A	COVER FOR INVERTER BOX	COUVERCLE BOITE CONVERTISSEUR	TAPA CAJA INVERTER	1			X		
3	1-09076A	CAP CLOSING	COUVERCLE FERMETURE	TAPA CIERRE	1			X		
4	EAC0113G00A	BACK SHEET CABINET COVER	COUVERCLE POSTERIEUR ARMOIRE	TAPA POSTERIOR ARMARIO	1			X		
5	EAK0317G29A	KIT, BRACKET FOR INVERTER	KIT FIXATION RENVOI POUR ONDULEUR	KIT FIJACIÓN TRANSMISIÓN PARA INVERTER	1				X	
6	EAA0481G28A	ROTARY CAM SWITCH GROUP - UL	GROUPE SECTIONNEUR	GRUPO SECCIONADOR	1				X	

A = available - disponible - disponible

B = on request - sur demande - a petición

C = suggested - suggeré - sugerido



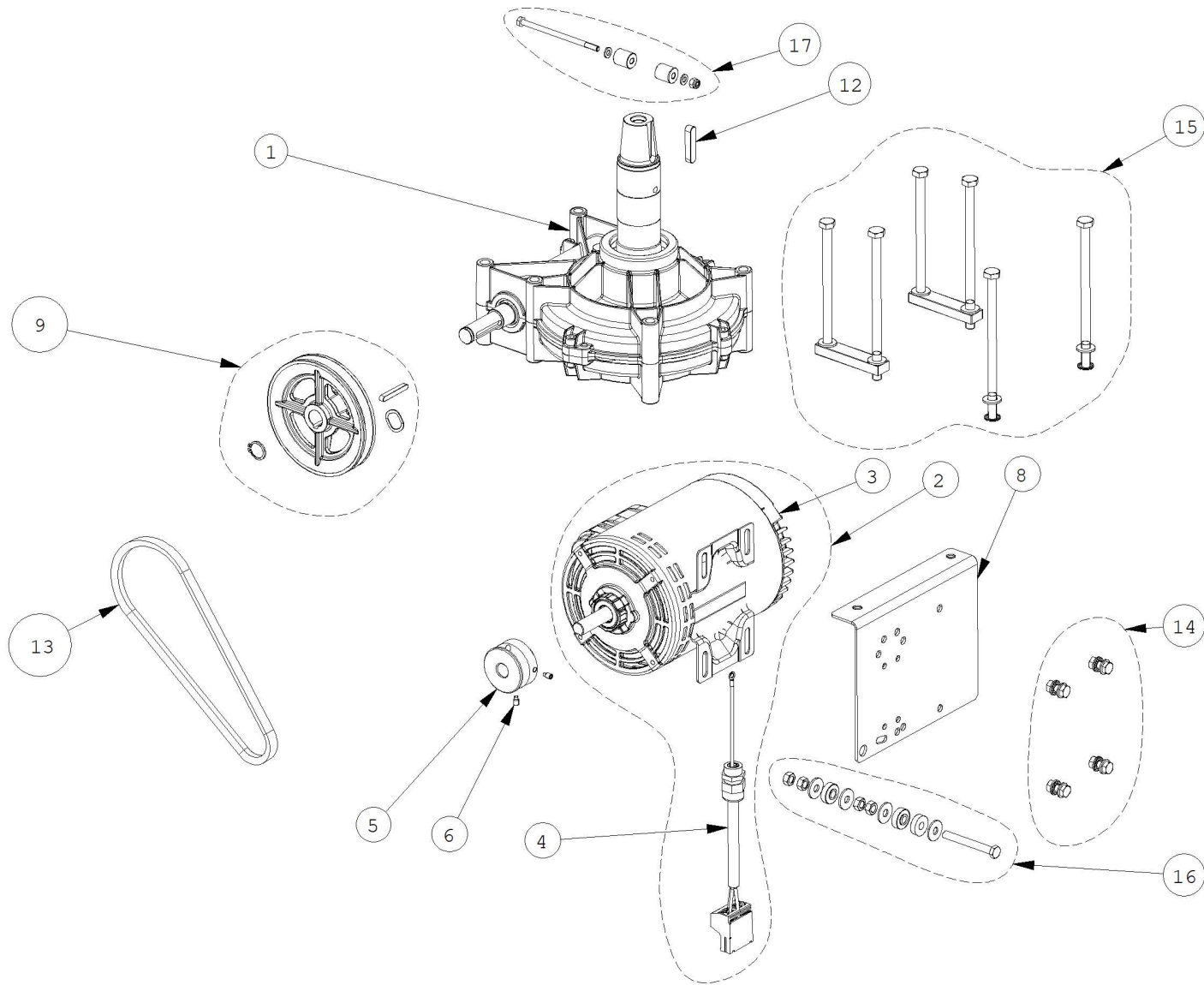
Pos	Code	Designation	Désignation	Designación	N.	Note	Nota	A	B	C
1	EAA0457G27A	GEARBOX	REDUCTEUR	REDUCTOR	1			X		
2	EAA0471G71A	INVERTER MOTOR ASM - 230V	GRUPE MOTEUR POUR CONVERTISSEUR - 2	GRUPO MOTOR PARA INVERSOR - 230V	1				X	
3	EAA0410G01A	HIGH SPEED MOTOR W/CABLE FOR INVERTE	MOTEUR AVEC CABLE POUR ONDULEUR HS	MOTOR CON CABLE PARA INVERTER HS	1			X		
4	EAW0282G99A	MOTOR CABLE WITH CONNECTOR	CABLE MOTEUR AVEC CONNECTEUR	CABLE MOTOR CON CONECTOR	1			X		
5	EAS2131G28A	MOTOR SUPPORT	SUPPORT MOTEUR	SOPORTE MOTOR	1			X		
6	EAK0306G14A	REDUCTION UNIT PULLEY KIT	KIT POULIE REDUCTEUR	KIT POLEA REDUCTOR	1			X		
7	EAK0279G67A	ANTIROTATION KIT	KIT ANTIROTATION	KIT ANTIRROTACIÓN	1			X		
8	1-1572	KEY-10x8x45	LANGUETTE	LENGUETA	1				X	
9	EAC0099G95A	BELT A27	COURROIE A27	CORREA A27	1			X		
10	EAK0279G66A	BELT TIGHTENER KIT	KIT TENDEUR-COURROIE	KIT TENSOR DE CORREA	1			X		
11	EAK0279G65A	SCREWS KIT FOR GEARBOX	KIT VIS REDUCTEUR	KIT TORNILLOS REDUCTOR	1			X		
12	EAK0330G26A	MOTOR D. 60 PULLEY KIT	KIT POULIE MOTEUR D.60	KIT POLEA MOTOR D.60	1			X		
13	EAK0279G64A	SCREWS KIT FOR MOTOR	KIT VIS MOTEUR	KIT TORNILLOS MOTOR	1			X		
14	EAS2140G91A	SUPPORT FOR REV. MANIFOLD HOSES	SOUTIEN POUR LES TUYAUX RENOUEVELABLE	APOYO A GIRATORIO MANGUERAS COLECTO	1				X	

A = available - disponible - disponible

B = on request - sur demande - a petición

C = suggested - sugeré - sugerido

EAZ0136G79A_B



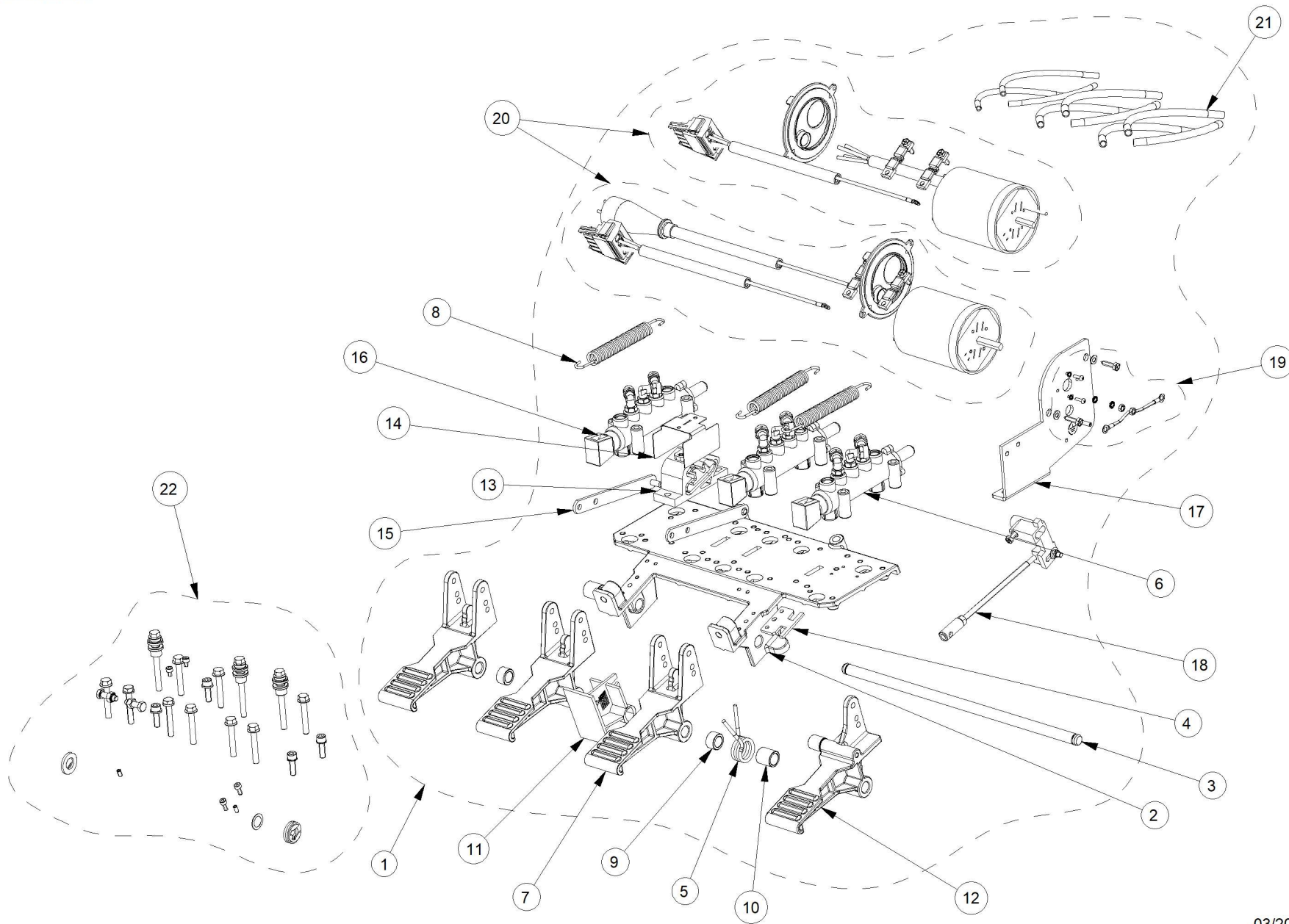
10/2023

Pos	Code	Designation	Désignation	Designación	N.	Note	Nota	A	B	C
1	EAA0363G16A	GEARBOX 3rd SERIE	REDUCTEUR 3 SERIE	REDUCTOR 3 SERIE	1			X		
1	EAA0457G27A	GEARBOX	REDUCTEUR	REDUCTOR	1			X		
2	EAA0410G02A	HIGH SPEED MOTOR W/CABLE INVERT. CSA	MOTEUR AVEC CABLE ONDULEUR HS CSA	MOTOR CON CABLE INVERTER HS CSA	1	For NA		x		
2	EAA0534G62A	1 PHASE US MOTOR CABLE ASSEMBLY	GROUPE CABLE MOTEUR 1F US	GRUPO CABLE MOTOR 1F US	1	115V		X		
3	2-99966A	MOTOR 1PHASE 115V 60Hz 1HP	MOTEUR MONOPHASE 115V 60Hz HP1	MOTOR MONOFASICO 115V 60Hz HP1	1			X		
4	EAW0277G38A	115VAC MOTOR CABLE (ORANGE)	CABLE MOTEUR 115VAC (ORANGE)	CABLE MOTOR 115VCA (NARANJA)	1			X		
5	EAM0125G93A	PULLEY,1 GROOVE 60Hz,MACHINED	POULIE, 1 RAINURE 60Hz, USINEES	POLEA,1 GARGANTA, 60Hz,TRABAJADOS	1	230V			X	
5	EAM0154G58A	PULLEY DP=2" HOLE D.5/8"	POULIE MOTEUR DP=2" - ORIF. D.5/8"	POLEA MOTOR DP=2" - ORIFICIO D.5/8"	1	115V			X	
6	1-50410A	SCREW STEI 6X12 12K BR	VIS FHc	TORNILLO STEI	1			X		
8	EAS2131G28A	MOTOR SUPPORT	SUPPORT MOTEUR	SOPORTE MOTOR	1			X		
9	EAK0341G09A	REDUCTION UNIT PULLEY KIT	KIT POULIE REDUCTEUR	KIT POLEA REDUCTOR	1			X		
12	1-1572	KEY-10x8x45	LANGUETTE	LENGUETA	1				X	
13	EAC0100G52A	BELT A29	COURROIE A29	CORREA A29	1			X	X	
14	EAK0279G63A	SCREWS KIT FOR 1PHASE MOTOR	KIT VIS MOTEUR MONOPHASE	KIT TORNILLOS MOTOR MONOFÁSICO	1			X		
15	EAK0279G65A	SCREWS KIT FOR GEARBOX	KIT VIS REDUCTEUR	KIT TORNILLOS REDUCTOR	1			X		
16	EAK0279G66A	BELT TIGHTENER KIT	KIT TENDEUR-COURROIE	KIT TENSOR DE CORREA	1			X		
17	EAK0279G67A	ANTIROTATION KIT	KIT ANTIROTATION	KIT ANTIRROTACIÓN	1			X		

A = available - disponible - disponible

B = on request - sur demande - a petición

C = suggested - suggeré - sugerido



Pos	Code	Designation	Désignation	Designación	N.	Note	Nota	A	B	C
1	EAA0370G78A	FOOT PEDAL ASM 4 PEDALS 3PH 230V	GROUPE JEU DE 4P 3PH 230V	JUEGO DE PEDALES 4P 3F 230V	1	UK		X		
1	EAA0370G79A	FOOT PEDAL ASM 4P 3PH 230V (CE)	GROUPE JEU DE 4P 3PH 230V (CE)	JUEGO DE PEDALES 4P 3F 230V (CE)	1	CE		X		
1	EAA0370G80A	FOOT PEDAL ASM 4P 3PH 230V (AUS)	GROUPE JEU DE 4P 3PH 230V (AUS)	JUEGO DE PEDALES 4P 3F 230V (AUS)	1	AUS		X		
1	EAA0370G81A	FOOT PEDAL ASM 4 PEDALS 3PH 400V	GROUPE JEU DE 4P 3PH 400V	JUEGO DE PEDALES 4P 3F 400V	1			X		
1	EAA0370G82A	FOOT PEDAL ASM 4P 3PH 400V (CE)	GROUPE JEU DE 4P 3PH 400V (CE)	JUEGO DE PEDALES 4P 3F 400V (CE)	1	CE		X		
1	EAA0370G83A	FOOT PEDAL ASM 4P 3PH 400V (AUS)	GROUPE JEU DE 4P 3PH 400V (AUS)	JUEGO DE PEDALES 4P 3F 400V (AUS)	1	AUS		X		
1	EAA0370G84A	FOOT PEDAL ASM 4P 1PH 115V (US)	GROUPE JEU DE 4P 1PH 115V (US)	JUEGO DE PEDALES 4P 1F 115V (US)	1	US		X		
1	EAA0370G85A	FOOT PEDAL ASM 4P 1PH 230V	GROUPE JEU DE 4P 1PH 230V	JUEGO DE PEDALES 4P 1F 230V	1			X		
1	EAA0370G86A	FOOT PEDAL ASM 4P 1PH 230V (UK)	GROUPE JEU DE 4P 1PH 230V (UK)	JUEGO DE PEDALES 4P 1F 230V (UK)	1			X		
2	EAM0068G80A	PEDAL ASM SUPPORT - MACHINED	SUPPORT JEU PÉDALES - USINÉ	SOPORTE JUEGO DE PEDALES - MECANIZADO	1			X		
3	EAM0068G10A	SHAFT-HINGE, PEDAL	PIVOT PEDALES	EJE PEDALES	1			X		
4	EAM0070G32A	COMMUTATOR SPRING GUIDE	GUIDE RESSORT INVERSEUR	GUÍA MUELLE INVERTIDOR	1			X		
5	EAM0048G78A	SPRING, PEDAL SWITCH	RESSORT, PEDAL INTERRUPTEUR	MUELLE PEDAL INTERRUPTOR	1			X		
6	EAA0356G94A	VALVE BEAD-BREAKER	VALVE DÉTALONNEUR	VÁLVULA DESTALONADOR	2			X		
7	EAM0068G95A	STANDARD PEDAL - MACHINED	PEDAL STD.	PEDAL STD - MECANIZADO	3			X		
8	EAM0147G64A	SPRING RECALL PEDALS	RESSORT RETOUR PEDALES	MUELLE DE RETORNO PEDALES	3			X		
9	EAM0070G46A	SPACER L=11 mm	ENTRETOISE L=11 mm	DISTANCIADOR L=11 mm	2			X		

A = available - disponible - disponible

B = on request - sur demande - a petición

C = suggested - suggeré - sugerido

Pos	Code	Designation	Désignation	Designación	N.	Note	Nota	A	B	C
10	EAM0048G79A	BUSHING, CENTERING- SPRING	COQUILLE SIEGE RESSORT	CASQUILLO CENTRADO MUELLE	1			X		
11	EAC0096G11A	SPACER-PEDAL	ENTRETOISE PÉDALES ST.1113/2	DISTANCIADOR PEDALES	1			X		
12	EAA0356G92A	RIGHT SWITCH FOOT PEDAL	PEDALE INTERRUPTEUR DROIT	PEDAL INTERRUPTOR DER.	1			X		
12	EAA0536G27A	RIGHT SWITCH FOOT PEDAL	PEDALE INTERRUPTEUR DROIT	PEDAL INTERRUPTOR DER.	1				X	
13	EAC0099G29A	CAM FOR PEDAL B	CAME PEDALE	LEVA PEDAL	1			X		
14	EAS2115G09A	PROTECTION SHEET FOR CAM	TOLE PROTECTION CAME	CHAPA PROTECCIÓN EXCENTRICO	1			X		
15	EAS2111G73A	ROD POSITIONER PEDAL	BIELLE POSITIONNEMENT PEDALE	BIELA DE POSICIONAMIENTO PEDAL	2			X		
16	EAA0356G96A	TURNTABLE/ TILTING VALVE	SOUPAPE POUR TUBES D.4X6	VÁLVULA PARA TUBOS D.4X6	1			X		
17	EAA0394G63A	1S SWITCH SUPPORT ASM	SUPPORT INTERRUPTEUR 1S D	GRUPO SOPORTE INTERRUPTOR 1S DX	1	RIGHT			X	
18	EAA0347G61A	ROD, REGISTER-REVERSING GEAR	BIELLE COMMANDE INVERSEUR	BIELA COMANDO INVERSOR	1			X		
19	EAK0279G40A	NUTS/BOLTS FOR SWITCH	KIT VIS FIXATION INVERSEUR	KIT TORNILLOS CONEXIÓN INTERRUPTOR	1			X		
20	EAA0394G30A	3 PH 230V SWITCH-CABLE ASSY W/O PLUG	GR. CABLE-INVERSEUR 3F 230V SANS BROCH	GR. CABLE-INVERSOR 3F 230V SIN PASADOR	1			X		
20	EAA0394G31A	3 PHASE 230V SWITCH-CABLE ASSY WITH PL	GR. CABLE-INVERSEUR TRIPHASE 230V AVEC	GR. CABLE-INVERSOR TRIFASE 230V CON PA'	1			X		
20	EAA0394G32A	3 PH 230V SWITCH-CABLE ASSY PLUG AUS	GR. CABLE-INVERSEUR 3F 230V BROCHE AUS	GR. CABLE-INVERSOR 3F 230V PASADOR AUS	1	AUS		X		
20	EAA0394G33A	ASSY REVERSING SWITCH 3 PH 400V	GRUPE INVERSEUR 3PH 400V	GRUPO INVERSOR 3F. 400V	1			X		
20	EAA0394G34A	ASSY REV. SWITCH 400V 3PH CE PLUG	GRUPE INVERSEUR 3PH 400V (CE)	GRUPO INVERSOR 3F. 400V (CE)	1	CE		X		
20	EAA0394G35A	ASSY REV. SWITCH 3PH 400V AUS PLUG	GRUPE INVERSEUR 3PH 400V (AUS)	GRUPO INVERSOR 3F. 400V (AUS)	1	AUS		X		

A = available - disponible - disponible

B = on request - sur demande - a petición

C = suggested - suggeré - sugerido

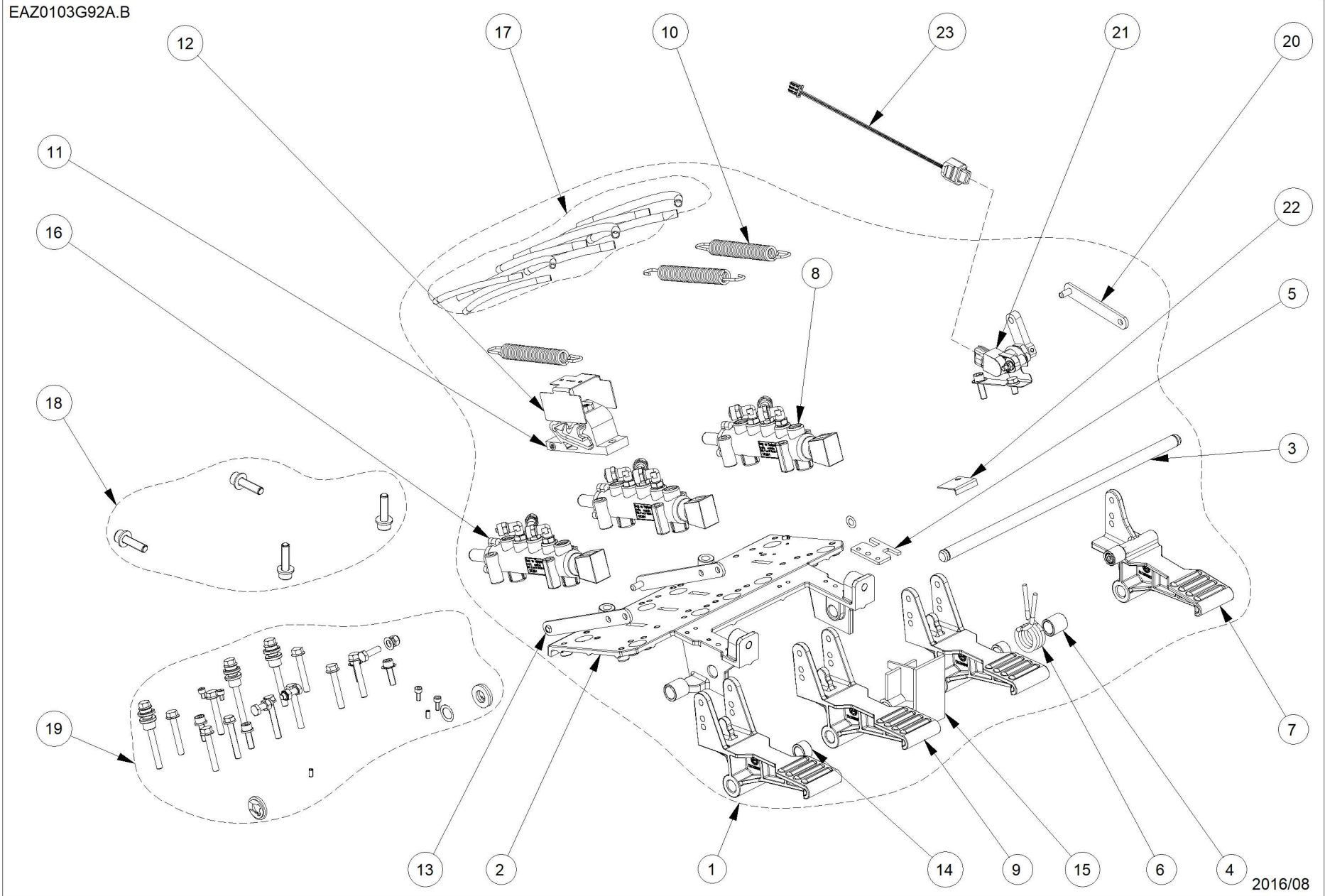
Pos	Code	Designation	Désignation	Designación	N.	Note	Nota	A	B	C
20	EAA0394G36A	1 PHASE SWITCH-CABLE ASSY. DX US	GR. CABLE INVERSEUR MONOPHASE US DRO	GR. CABLE-INVERSOR MONOFASE US DERECH	1	RIGHT		X		
20	EAA0394G38A	1 PHASE SWITCH-CABLE ASSY WITHOUT PLL	GR. CABLE-INVERSEUR MONOPHA. SANS BRC	GR. CABLE-INVERSOR MONOFASE SIN PASAD	1			X		
20	EAA0394G39A	1 PH 230V SWITCH-CABLE ASSY UK PLUG	GR. CABLE-INVERSEUR MONOPH. BROCHE UI	GR. CABLE-INVERSOR MONOF. PASADOR UK	1	UK		X		
21	EAA0364G09A	HOSES KIT FOOT PEDAL ASM 4P - STD	KIT TUBES PEDALIER 4P - STD	KIT TUBOS PEDAL 4P - STD	1			X		
22	EAK0279G39A	NUTS/SCREWS FOR FOOT PEDAL ASM	KIT VIS JEU PÉDALES	KIT TORNILLOS JUEGO DE PEDALES	1			X		

A = available - disponible - disponible

B = on request - sur demande - a petición

C = suggested - suggeré - sugerido

EAZ0103G92A.B



2016/08

Pos	Code	Designation	Désignation	Designación	N.	Note	Nota	A	B	C
1	EAA0440G83A	4P CONTROL PEDAL WITH POTENTIOMETER	PEDALIER 4P AVEC POTENTIOMETRE	PEDALERA 4P CON POTENCIÓMETRO	1	POTENT.		X		
2	EAM0068G80A	PEDAL ASM SUPPORT - MACHINED	SUPPORT JEU PÉDALES - USINÉ	SOPORTE JUEGO DE PEDALES-MECANIZADO	1			X		
3	EAM0068G10A	SHAFT-HINGE, PEDAL	PIVOT PEDALES	EJE PEDALES	1			X		
4	EAM0048G79A	BUSHING, CENTERING- SPRING	COQUILLE SIEGE RESSORT	CASQUILLO CENTRADO MUELLE	2			X		
5	EAM0070G32A	COMMUTATOR SPRING GUIDE	GUIDE RESSORT INVERSEUR	GUÍ MUELLE INVERTIDOR	1			X		
6	EAM0075G56A	SPRING, PEDAL SWITCH 2SPEED	RESSORT INTERRUPTEUR PÉDALE 2SP	MUELLE PEDAL INTERRUPTOR 2SP	1			X	X	
7	EAA0356G92A	RIGHT SWITCH FOOT PEDAL	PEDALE INTERRUPTEUR DROIT	PEDAL INTERRUPTOR DER.	1			X		
8	EAA0356G94A	BEAD BREAKER VALVE	VALVE DÉTALONNEUR	VÁLVULA DESTALONADOR	2			X	X	
9	EAM0068G95A	STANDARD PEDAL - MACHINED	PEDAL STD.	PEDAL STD	3			X		
10	EAM0147G64A	SPRING RECALL PEDALS	RESSORT RETOUR PEDALES	MUELLE DE RETORNO PEDALES	3			X		
11	EAC0103G56A	CAM FOR PEDAL	CAME PEDALE	LEVA PEDAL	1			X		
12	EAS2115G09A	PROTECTION SHEET FOR CAM	TOLE PROTECTION CAME	CHAPA PROTECCIÓN EXCÉNTRICO	1				X	
13	EAS2111G73A	ROD POSITIONER PEDAL	BIELLE POSITIONNEMENT PEDALE	BIELA DE POSICIONAMIENTO PEDAL	2			X	X	
14	EAM0070G46A	SPACER L=11 mm	ENTRETOISE L=11 mm	DISTANCIADOR L=11 mm	2			X		
15	EAC0096G11A	SPACER-PEDAL	ENTRETOISE PÉDALES	DISTANCIADOR PEDALES	1			X		
16	EAA0356G96A	TURNTABLE/ TILTING VALVE	SOUPAPE POUR TUBES D.4X6	VÁLVULA PARA TUBOS D.4X6	1			X	X	
17	EAA0364G09A	HOSES KIT FOOT PEDAL ASM 4P - STD	KIT TUBES PEDALIER 4P - STD	KIT TUBOS PEDAL 4P - STD	1			X		

A = available - disponible - disponible

B = on request - sur demande - a petición

C = suggested - suggeré - sugerido

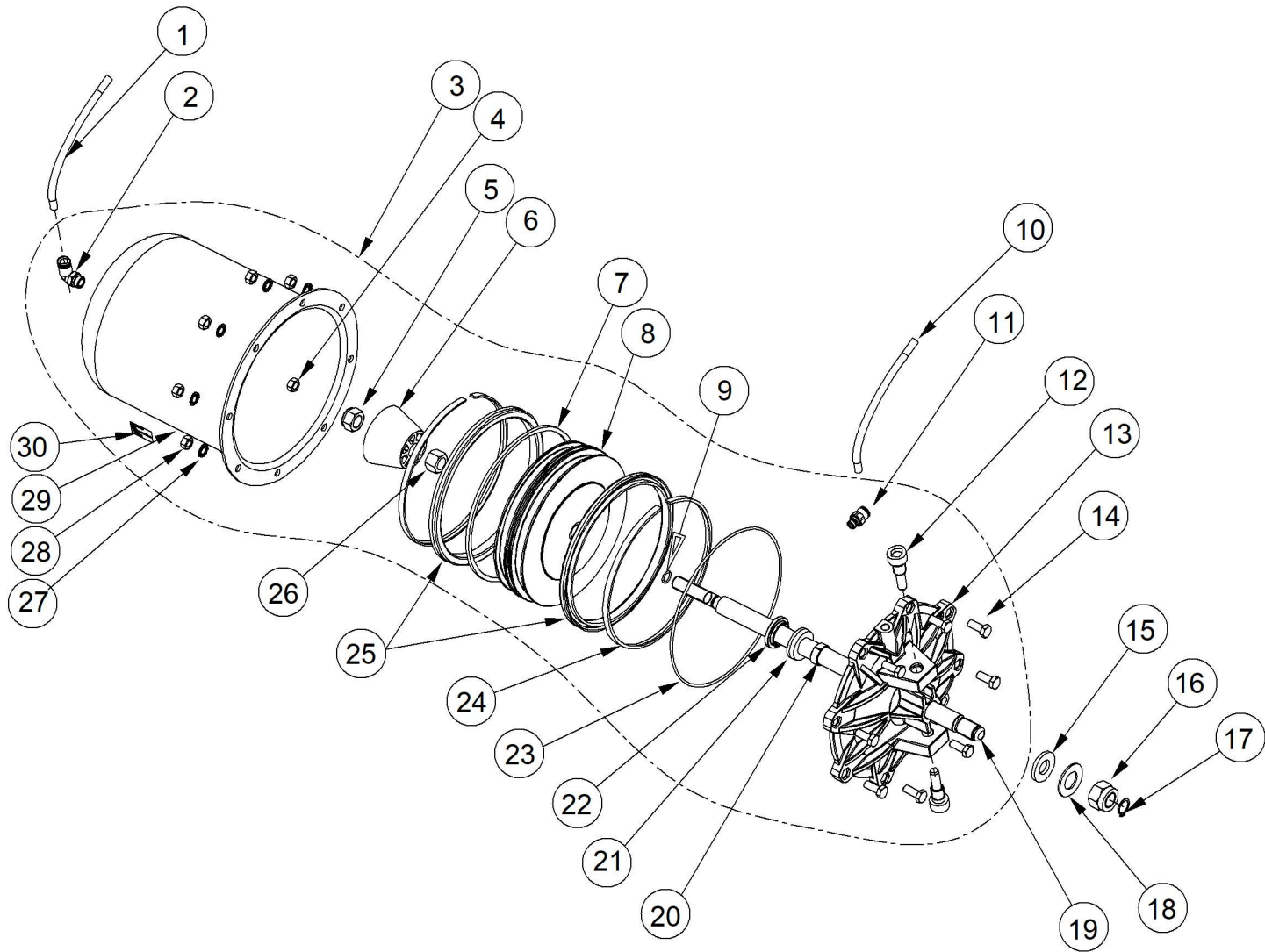
Pos	Code	Designation	Désignation	Designaciòn	N.	Note	Nota	A	B	C
18	EAK0279G96A	CONTROL PEDALS MOUNTING KIT	KIT MONTAGE PEDALIER	KIT MONTAJE PEDALERA	1			X		
19	EAK0279G39A	NUTS/SCREWS FOR FOOT PEDAL ASM	KIT VIS JEU PÉDALES	KIT TORNILLOS JUEGO DE PEDALES	1			X		
20	EAS2132G66A	ROD PEDAL POTENTIOMETER	BIELLE POTENTIOMETRE	BIELA POTENCIÓMETRO	1			X		
21	EAK0330G64A	POTENTIOMETER GROUP KIT	KIT GROUPE POTENTIOMETRE	KIT GRUPO POTENCIÓMETRO	1			X		
22	EAS2140G74A	END STROKE FOR PEDAL	FIN DE COURSE PEDAL	FINAL CARRERA PEDAL	1				X	
23	EAW0286G08A	CABLE FOR CTS POTENTIOMETER	CABLE POUR POTENTIOMETRE CTS	CABLE POTENCIÓMETRO CTS	1			X		

A = available - disponible - disponible

B = on request - sur demande - a petición

C = suggested - suggeré - sugerido

EAZ0104G83A.a



04/2018

Pos	Code	Designation	Désignation	Designación	N.	Note	Nota	A	B	C
1	EAM0069G97A	HOSE - AIR 6X8	TUYAU AIR 6X8	TUBO AIRE 6X8	1			X		
2	1-20179A	FITTING "L" 6X8	RACCORD	CONEXION RÁPIDA	1			X		
3	EAA0329G49A	CYLINDER, BEAD BREAKER	VERIN OUTIL DE DECOL.	CILINDRO DESTALONADOR	1			X		
4	1-16433A	NUT 1/4" X 0.25"	ECROU	TUERCA GALVANIZADA	1			X		
5	1-10433	NUT-S.LOCK,LOW- M14	ECROU AUTOBLOCANT M 14	TUERCA M14 AUT.BAS.CL.6	1			X		
6	EAM0048G04A	LIMIT SWITCH RUBBER PAD	TAMPON FIN DE COURSE	ALMOHADILLA FINAL DE CARRERRA	1				X	
7	EAC0078G35A	RING- PLASTIC	ANNEAU DE PROTECTION	ANILLO PATÍN	1			X		
8	EAC0094G40A	PISTON	PISTON	PISTON	1			X		
9	8-18314A	SEAL-OR d.11	JOINT OR d.11	JUNTA OR D.11	1			X		
10	EAM0069G97A	HOSE - AIR 6X8	TUYAU AIR 6X8	TUBO AIRE 6X8	1			X		
11	1-11379A	FITTING-ST 6X8 1/8	RACCORD 6x8 1/8	CONEXIÓN 6X8 1/8	1			X		
12	EAM0067G34A	BEAD BREAKER CYLINDER FITTING SCREW	FIS FIXATION VERIN DETALONNEUR	TORNILLO FIJACIÓN CIL.DESTALON.	1			X		
13	EAC0078G36A	END CAP-CYLINDER/BEAD BREAKER	EMBASE VERIN DETAL. AVANT	ARANDELA DEL.CIL.DESTALONADOR	1			X		
14	1-32601	SCREW TE 8X20 8.8	VIS H	TORNILLO TE	1			X		
15	EAM0075G25A	WASHER, FELT	RONDELLE FEUTRE	ARANDELA DE FIELTRO	1			X		
16	1-20933A	NUT	ECROU	TUERCA	1	M18X1.5		X		
17	1-3977	RETAINING RING FOR SHAFTS D16 DIN471	BAGUE DE BUTEE,AXE d.16	ANILLO DE TOPE PARA EJES D16	1	DIN 982 DIN471		X		

A = available - disponible - disponible

B = on request - sur demande - a petición

C = suggested - suggeré - sugerido

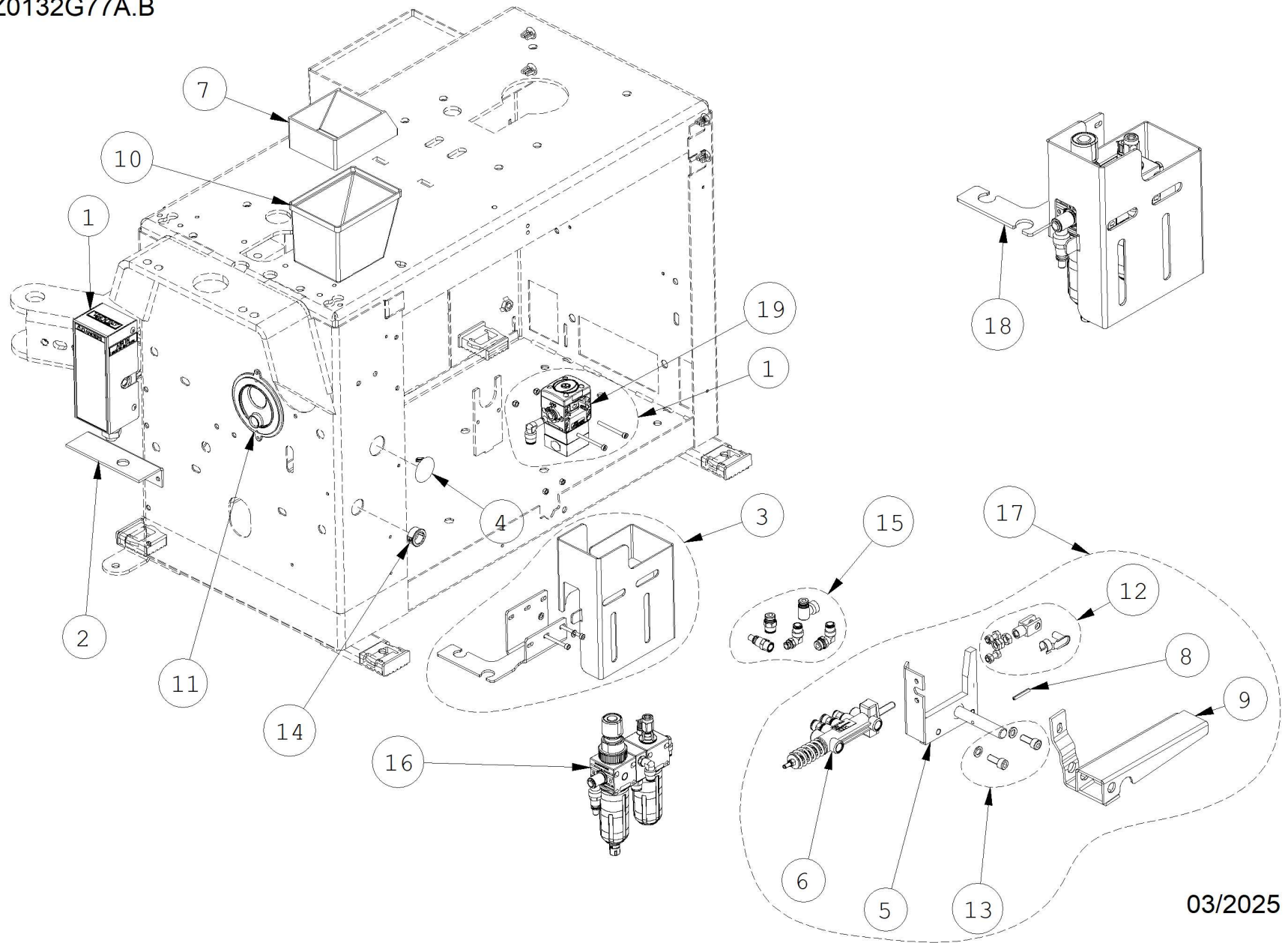
Pos	Code	Designation	Désignation	Designación	N.	Note	Nota	A	B	C
18	EAM0075G26A	WASHER	RONDELLE	ARANDELA	1			X		
19	EAM0048G07A	ROD BEAD-BREAKER CYLINDER	TIGE CYLINDRE DETALONNEUR	VARILLA CILINDRO DESTALONADOR	1			X		
20	EAC0078G18A	RING FOR ROD GUIDE D.20	COURONNE REGLAGE AXE D.20	ANILLO REGLAJE BARRA D.20	1				X	
21	8-09614A	SEAL, LIP I.D.20 O.D.36 TH.8 ON SHAFT	JOINT A BORD d.20	JUNTA DE LABIO D.20	1			X		
22	EAC0078G10A	RETAINER-SEAL d.20	ANNEAU JOINT d.20	ANILLO FIJACIÓN JUNTA d.20	1			X		
23	8-10014A	O-RING I.D.183,82X2,62	JOINT TORIQUE D.183,8*2,62	JUNTA OR D.183,82*2,62	1				X	
24	EAC0078G34A	RING-PISTON, BEAD BREAKER	ANNEAU ANTI-BASCULAGE DETALON.	ANILLO ANTI-VOLQ.DESTALONADOR	1			X		
25	8-10114A	SEAL - LIP N d.184	JOINT A BORD d. 184	JUNTA DE LABIO d.184	1			X		
26	1-20433A1	NUT-LOCK M14 6S WHITE ZINC	ECROU M14 6S	TUERCA M14 CL.8 CINCADO B.	1			X		
27	1-1748	WASHER SHAKEPROOF D8 DIN 6798/AGALV.	RONDELLE DIAM 8 GALV.	ARANDELA DE D.8 GALVANIZ.	1			X		
28	1-11733	NUT M8	ECROU M8 6S	TUERCA M8 6S	1			X		
29	EAS2068G62A	CYLINDER CHAMBER	CHAMBRE CYLINDRE	CAMARA CILINDRO	1					X
30	EAL0383G03A	PLATE CYLINDER D.E.	PLAQUE CYLINDRE D.E.	TARJETA CILINDRO D.E.	1			X		

A = available - disponible - disponible

B = on request - sur demande - a petición

C = suggested - suggeré - sugerido

EAZ0132G77A.B



03/2025

Pos	Code	Designation	Désignation	Designación	N.	Note	Nota	A	B	C
1	EAA0558G71A	PRESSURE LIMITER VALVE	VANNE REDUCTEUR DE PRESSION	VÁLVULA LIMITADORA PRESIÓN	1	external version		X		X
1	EAK0375G82A	ASSY, INFLATION VALVE	KIT VANNE GONFLAGE GT	KIT VÁLVULA INFLADO	1			X		
2	EAS2090G13A	BRACKET-VALVE, INFLATOR	SIEGE VANNE GONFLEUR	ESTRIBO VALVULA INFLADOR	1			X		
3	EAK0330G49A	NA LUB. FILTER FIXING KIT	KIT DE FIXATION FILTRE	KIT FIJACIÓN FILTRO	1			X		
4	1-08676A	CAP, CLOSING	COUVERCLE FERMETURE	TAPÓN DE CIERRE	1				X	
5	EAS2134G52A	GT PEDAL SUPPORT	SUPPORT PEDALE	SOPORTE PEDAL	1			X		
6	EAA0329G75A	VALVE, BEAD INFLATING	SOUPAPE CONTROLE GONFLE PNEU S/CHAM	VALVULA MANDO INFLACION NEUM.S/CAMA	1			X		X
7	1-31581A	PLUG-VALVE, HOUSING	BAC SOUPAPE	TAPA PORTAVÁLVULAS	2			X		
8	1-6652	PIN - STRAIGHT SLOTTED 4X30	BROCHE ELASTIQUE	PASADOR ELÁSTICA	1			X		
9	EAS2068G87A	INFLATOR PEDAL CATAPHOR. BLK	PEDALE POMPE LAQUAGE HEPOXY NOIR	PEDAL HINCHADOR TUBEL.NEGRO	1			X		
10	8-03129A	BOX-GREASE	BAC GRAISSE	CONTENEDOR PARA GRASA	2			X		
11	EAC0100G22A	CABLE PROTECTION	PROTECTION CÂBLES	PROTECCIÓN CABLES	1				X	
12	EAK0306G32A	SCREWS AND BOLTS FOR GT VALVE	KIT VIS SOUPAPE GT	KIT TORNILLOS VÁLVULA GT	1			X		
13	EAK0306G33A	SCREWS AND BOLTS FOR GT PEDAL	KIT VIS PEDALE GT	KIT TORNILLOS PEDAL GT	1			X		
14	8-11616A	SNAP BUSHING Øe 22.2mm - Øi 17.5mm	DOUILLE Øe 22.2mm - Øi 17.5mm	CASQUILLO	1			X		
15	EAK0315G99A	FITTINGS KIT FOR FILTER	KIT RACCORDES POUR FILTRE	KIT RACORES PARA FILTRO	1			X		X
16	EAA0439G90A	FILTER-PRESS.RED.-LUBRIC.ASSY+AIR IN L	GROUPE FILTRE RED. + LUBRIF AIR GAUCHE	GRUPO FILTRO RED. + LUBRIC. AIRE IZQ.	1				X	

A = available - disponible - disponible

B = on request - sur demande - a petición

C = suggested - suggeré - sugerido

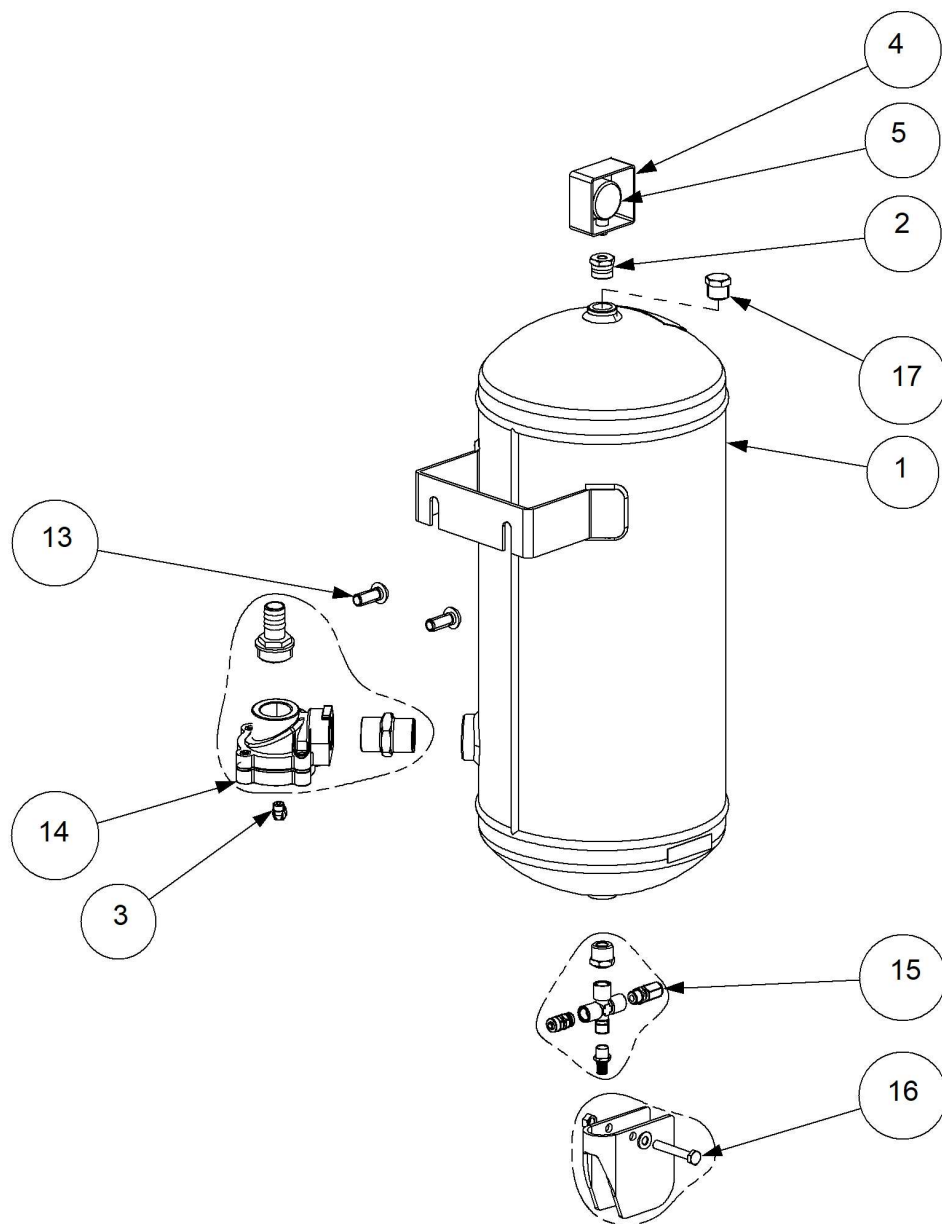
Pos	Code	Designation	Désignation	Designaciòn	N.	Note	Nota	A	B	C
17	EAA0384G14A	GROUP, BEAD INFLATING PEDAL	GROUPE PEDALE POMPE	GRUPO,PEDAL INFLADOR	1			X		x
18	EAA0489G30A	LUBRICATOR FILTER GROUP	GROUPE FILTRE LUBRIFICATEUR	GRUPO FILTRO LUBRIFICADOR NA	1				X	
19	1-41981A	QUICK INFLATION VALVE	CLAPET REDUCTEUR DE PRESSION	VÁLVULA LIMITADORA PRESIÓN	1			X		

A = available - disponible - disponible

B = on request - sur demande - a petición

C = suggested - suggeré - sugerido

EAZ0136G86A_A



03/2019

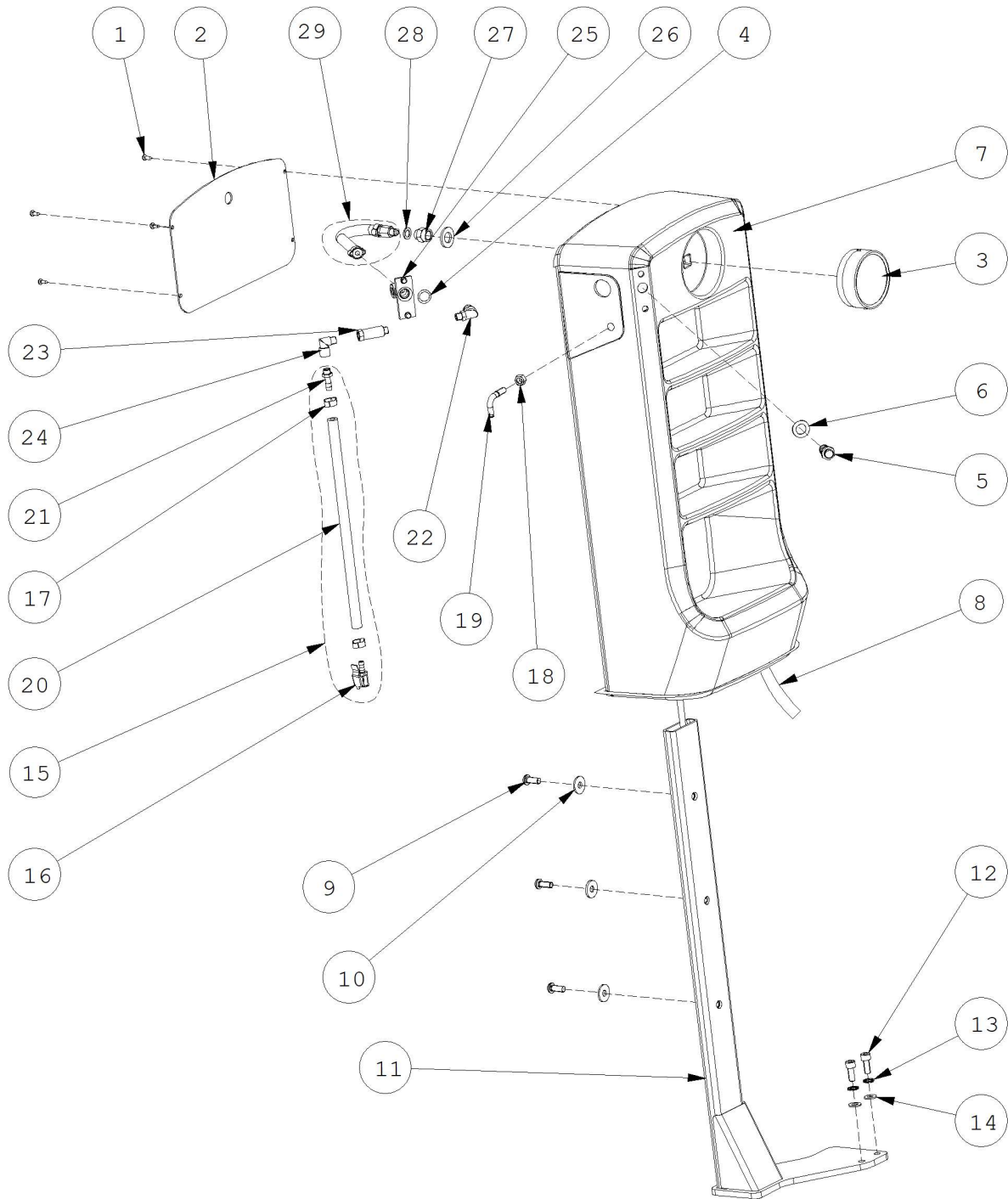
Pos	Code	Designation	Désignation	Designación	N.	Note	Nota	A	B	C
1	EAS2089G67A	TANK - INFLATOR	RESERVOIR POMPE LAQUE NOIR	TANQUE INFLATOR TUBELESS	1			X		
2	1-12579A	STRAIGHT,FITTING MF 1/2"-1/8"	REDUCTION MF 1/2"-1/8" CYLINDRIQUE	REDUCCIÓN MH 1/2"-1/8" CILÍNDRICO	1			X		
3	1-17179A	ELBOW FITTING "L" 4X6 1/4"	RACCORD A L 4X6 1/4"	CONEXIÓN DE TORNILLO EN "L" 4X6 1/4"	1			X		
4	EAM0074G01A	MANOMETER PROTECTION	PROTECTION MANOMETRE	PROTECCIÓN MANÓMETRO	1				X	
5	8-06120A	MANOMETER-RADIAL 0-16 D.40	MANOMETRE RADIAL 0-16 D.40	MANÓMETRO RADIAL 0-16BAR D.40	1			X		
13	1-58409A	SCREW	VIS	TORNILLO	2	M12X30 8K ISO 7380		X		
14	EAK0306G44A	VALVE FOR GT NOZZLE	KIT SOUPEPE POUR BUSE GT	KIT VÁLVULA PARA BOQUILLA GT	1			x		
15	EAK0306G46A	FITTINGS FOR GT NOZZLE KIT	KIT RACCORDS BUSE GT	KIT CONEXIONES BOQUILLA GT	1				X	
16	EAK0306G45A	FITTINGS PROTECTION FOR GT	KIT PROTECTION RACCORDS GT	KIT PROTECCIÓN RACORES GT	1				X	
17	1-09276A	1/2" CAP	BOUCHON 1/2"	TAPÓN 1/2"	1				X	

A = available - disponible - disponible

B = on request - sur demande - a petición

C = suggested - suggeré - sugerido

EAZ0137G01A.A



05/2019

Pos	Code	Designation	Désignation	Designación	N.	Note	Nota	A	B	C
1	1-20423	SELF TAPPING SCREW d4,2x13	VIS AUTOTAR. d4,2x13 tcb br	TORNILLO AUTOROS. d4,2x13 tcb br	4			X		
2	EAS2153G75A	COVER, FOR BOX, BLACK PAINTED	COUVERCLE BOITE NOIRE	TAPA POR CAJA NEGRA	1				x	
3	EAA0332G41A	PRESSURE GAUGE PSI / Kpa	MANOMETRE PSI/Kpa	MANÓMETRO PSI/Kpa	1			X		
3	8-06820A	PRESSURE GAUGE, PSI/BAR	MANOMETRE PSI/BAR	MANÓMETRO PSI/BAR	1	only for NA		X		
4	8-10414A	SEAL-OR d.14	JOINT OR d. 14	JUNTA OR d.14	1			X		
5	EAA0328G57A	BLEEDER VALVE	VALVE DEGONFLAGE	VALVULA DESENFADOR	1			X		
6	EAM0043G64A	WASHER, BLEEDER VALVE	RONDELLE SOUPAPE DEGONFLAGE	ARANDELA PARA BLOQUE DESHINCHADOR	1			X		
7	EAC0114G08A	TOOL STORAGE BOX	CASSETTE PORTE-OBJECTS	CAJON PUERTA OBJETOS	1				X	
8	24201	HOSE-AIR 6X8, BLACK	TUYAU AIR 6X8, NOIR	TUBO AIRE 6X8, NEGRO	1			X		
9	1-18702A	SCREW FILLISTER HEAD	VIS BHc	TORNILLO TBEI	3	ISO7380			X	
10	1-17841A	WASHER d. 8X24, BLK	RONDELLE D 8X 24	ARANDELA D 8X 24	3			X		
11	EAA0410G29A	SUPPORT FOR STORAGE BOX	SUPPORT CASSETTE PORTE-OBJETS	SOPORTE CAJA PORTAOBJETOS	1				X	
12	1-17709	SCREW TCEI 8X20 8G	VIS CHc	TORNILLO TCEI	2			X		
13	1-3048	WASHER SHAKEPROOF D8 BLK.	RONDELLE DIAM 8	ARANDELA DE D.8	2			X		
14	1-10041	WASHER D.8	RONDELLE DIAM 8	ARANDELA PLANA D.8 GALVANIZ.	2			X		
15	EAA0481G30A	HOSE INFLATION+CHUCK/FITTINGS	TUYAU PISTOLET AVEC RACCORDS	TUBO PISTOLETA INFLAJE+EMPALM	1	only for NA		X		
16	1-28579A	INFLATING STRAIGHT CLIP CHUCK	PINCE GONFLAGE	ALICATE PARA INFLAJE	1	only for NA		X		

A = available - disponible - disponible

B = on request - sur demande - a petición

C = suggested - suggeré - sugerido

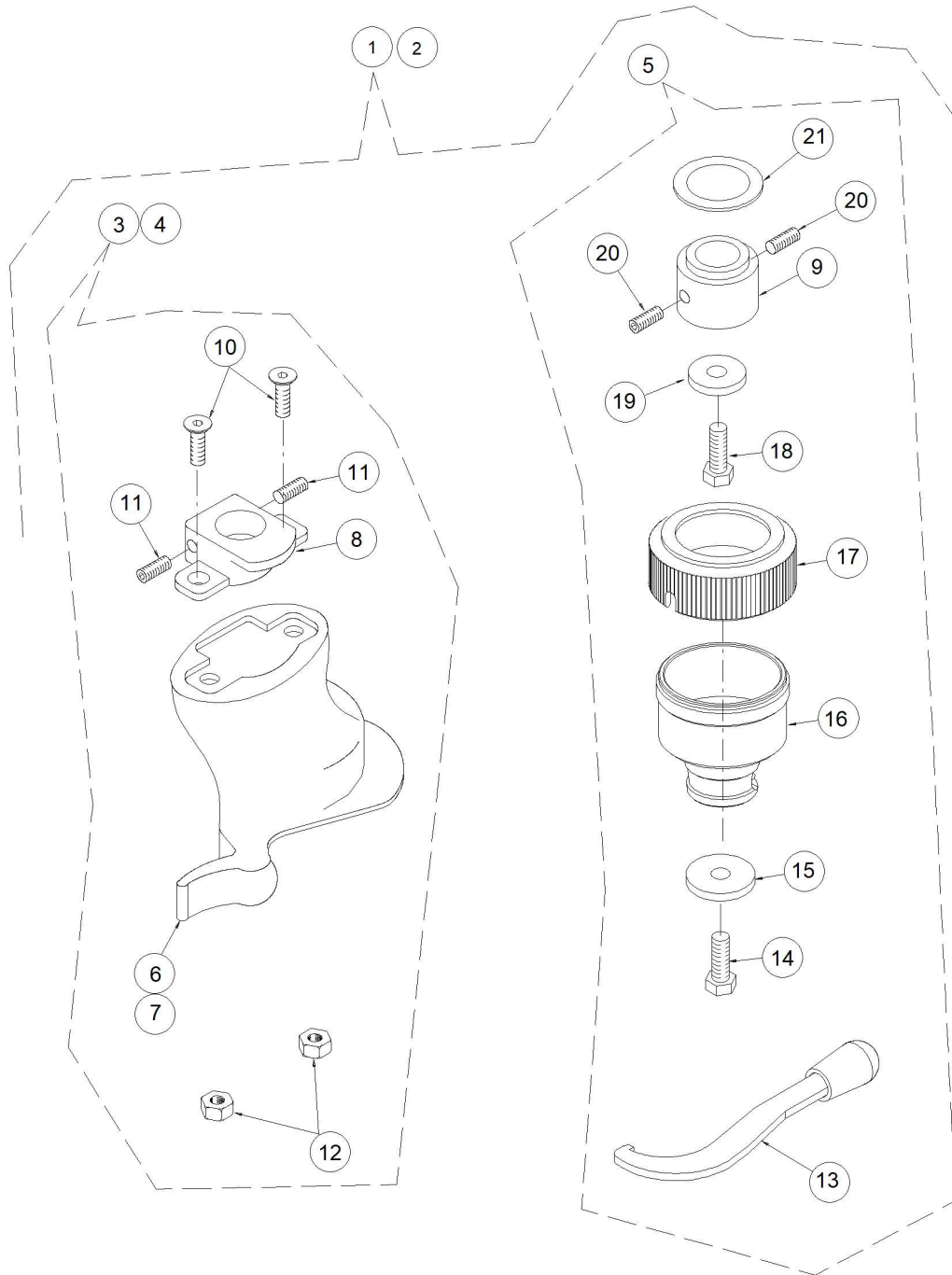
Pos	Code	Designation	Désignation	Designación	N.	Note	Nota	A	B	C
17	1-03482A	HOSE CLAMP	COLLIER SERRE-TUBE	ABRAZADERA APRIETA-TUBO 13-15 MM *CON	2			X		
18	1-11733	NUT M8	ECROU M8 6S	TUERCA M8 6S	1			X		
19	EAA0490G75A	HOOK INFL. GAUGE FOR CHUCK DILL	CROCHET PISTOLET DE GONFLAGE	GANCHO PISTOLA HINCHADO	1	only for NA			X	
20	EAH0049G13A	TIRE GUN TUBE	TUYAU AIR PISTOLET	TUBO AIRE PISTOLA	1			X		
21	1-12079A	FITTING - AIR 1/8 d.7	RACCORD AIR 1/8 d.7	CONEXIÓN 1/8 d.7	1			X		
22	1-11479A	FITTING - L 6X8 1/8	RACCORD EN L 6X8 1/8	CONEXIÓN EN L 6X8 1/8	1				X	
23	1-11779A	FITTING, STRAIGHT, M/F 1/4" L.36mm	RACCORD DROIT M/F 1/4" L36MM	CONEXIÓN DERECHO M/F 1/4" L.36MM	1			X		
24	1-11979A	FITTING L MF 1/8"	RACCORD	CONEXIÓN	1			X		
25	EAC0078G59A	BODY BLEEDER VALVE	VALVE-DEGONFLEUR	BLOQUE DESHINCHADOR	1			X		
26	1-10341	WASHER - d.14	RONDELLE d.14	ARANDELA PLANA D.14 GALVANIZ.	1			X		
27	1-11879A	COUPLING REDUCT. FF 1/4-1/8"	MANCHON REDUCT. FF 1/4-1/8"	CASQUILLO REDUCT. FF 1/4-1/8"	1				X	
28	1-26741A	WASHER, COPPER 1/8	RONDELLE EN CUIVRE 1/8	ARANDELA EN COBRE 1/8	1			X		
29	EAA0356G06A	PIPE, W. MANOMETER DAMPER	TUYAU AMORTISSEUR MANOMETRE	TUBO C.AMORTIGUADOR MANÓMETRO	1				X	

A = available - disponible - disponible

B = on request - sur demande - a petición

C = suggested - suggéré - sugerido

EAZ0104G28A.a



04/2018

Pos	Code	Designation	Désignation	Designación	N.	Note	Nota	A	B	C
1	EAA0304G66A	TOOL GROUP QUICK EXCHANGE "S2"	KIT DE MONTAGE RAPIDE MODELE A VISSER	GRUPO HERRAMIENTA CAMBIO RAPIDO "S2"	1				X	
2	EAA0304G67A	TOOL GROUP "VW" QUICK EXCHANGE "S2"	KIT DE MONTAGE RAPIDE AVEC TETE PLASTI	GRUPO HERRAMIENTA "VW" CAMBIO RAPIDO'	1				X	
3	EAA0247G20A	TOOL, PLASTIC + SUPPORT	TETE PLASTIQUE	HERRAMIENTA EN PLASTICA + SOPORTE	1				X	
4	EAA0304G37A	VW PLASTIC TOOL + SUPPORT	TETE DE MONTAGE PLAS.P.JANTES A RAY. DI	HERRAMIENTA DE PLASTICO VW + SOPORTE	1				X	
5	EAA0344G94A	QUICK EXCHANGE DEVICE - WITHOUT TOOL	KIT CHANGEMENT RAPIDE -SANS OUTIL	KIT CAMBIO RAPIDO - SIN UTIL	1			X		
6	EAM0043G71A	PLASTIC MOUNT/DEMOUNT TOOL	OUTIL EN PLASTIQUE	HERRAMIENTA EN PLASTICO	1			X		
7	EAM0043G70A	PLASTIC TOOL FOR RIM "VW"	OUTIL EN PLASTIQUE P. JANTE	HERRAMIENTA PLASTICO P. CIRCULO	1			X		
8	24336	SUPPORT, TOOL, PLASTIC	SUPPORT OUTIL EN PLASTIQUE	SOPORTE HERRAMIENTA EN PLASTICO	1			X		
9	EAM0032G43A	BUSHING, FITTING	GOUPILLE ACCROCHAGE	CASQUILLO FIXAJE	1			X		
10	1-21203A	SCREW TSEI M8X20 8G	VIS FHc	TORNILLO TSEI	1	M8x20 10.9 BR UNI 5933-67		X		
11	1-34110A	SET SCREW 10X20 12K 10X20 UNI5925-67	VIS FHc	TORNILLO STEI	1			X		
12	1-15933A	NUT M8 DIN 936 - UNI 5589	ECROU M8 6S	TUERCA M8 CL.8 BR BAJO	1			X		
13	EAA0304G65A	TOOL WITH KNOB FOR QUICK EXCHANGE	OUTIL A. POIGNEE VITESSE RAPIDE	HERRAMIENTA C. POMO CAMBIO RAPIDO	1			X		
14	1-34501A	SCREW TE 10X30 8G	VIS H	TORNILLO TE	1			X		
15	EAM0032G02A	WASHER- TOOL CLAMPING	RONDELLE FIXATION OUTIL	ARANDELA BLOQUEO HERRAMIENTA	1			X		
16	EAA0304G64A	TOOL SUPPORT WITH PINS	SUPPORT OUTIL A. GOUJONS	SOPORTE HERRAMIENTA C. VASTAGOS	1			X		
17	EAM0032G39A	RING, TOOL FIXING SUPPORT	COLLIER DE SERAGE, SUPPORT RAPIDE	ABRAZADERA AJUSTE SOPORTE UTIL	1			X		

A = available - disponible - disponible

B = on request - sur demande - a petición

C = suggested - suggeré - sugerido

Pos	Code	Designation	Désignation	Designaciòn	N.	Note	Nota	A	B	C
18	1-34301A	SCREW HEX 10X20 8G	VIS H	TORNILLO TE	1			X		
19	EAM0032G42A	WASHER, REGISTER- QUICK	RONDELLE, OUTIL REGLAGE RAPIDE	ARO REGLAJE RAPIDO	1			X		
20	1-49510A	SCREW	VIS	TORNILLO	1	M8X10 BURNISHEI		X		
						DIN913				
21	EAM0032G03A	WASHER I.D.41 E.D. 52.8 TH.2	RONDELLE 41-52.8-2	ARANDELA 41-52.8-2	1			X		

A = available - disponible - disponible

B = on request - sur demande - a petición

C = suggested - suggeré - sugerido

TEEWH006T
SHEET 1 OF 2

CHANGES - MODIFICHE

DATE

NAME

0 GRUPPO FILTRO
FILTERGRUPPE
GROUPE FILTRE
FILTERGROUP

1 (OPTION / EXTRA)
ATTREZZO SONTAGGIO (MH)
OUTIL POUR DEMONTAGE (MH)
DEMONTAGE GERÄT (MH)

2 RIBALTABILE
BASCULANTE
TILTING

3 BLOCCAGGIO CERCHI
BLOCCAGE JANTES
LOCKING RIMS

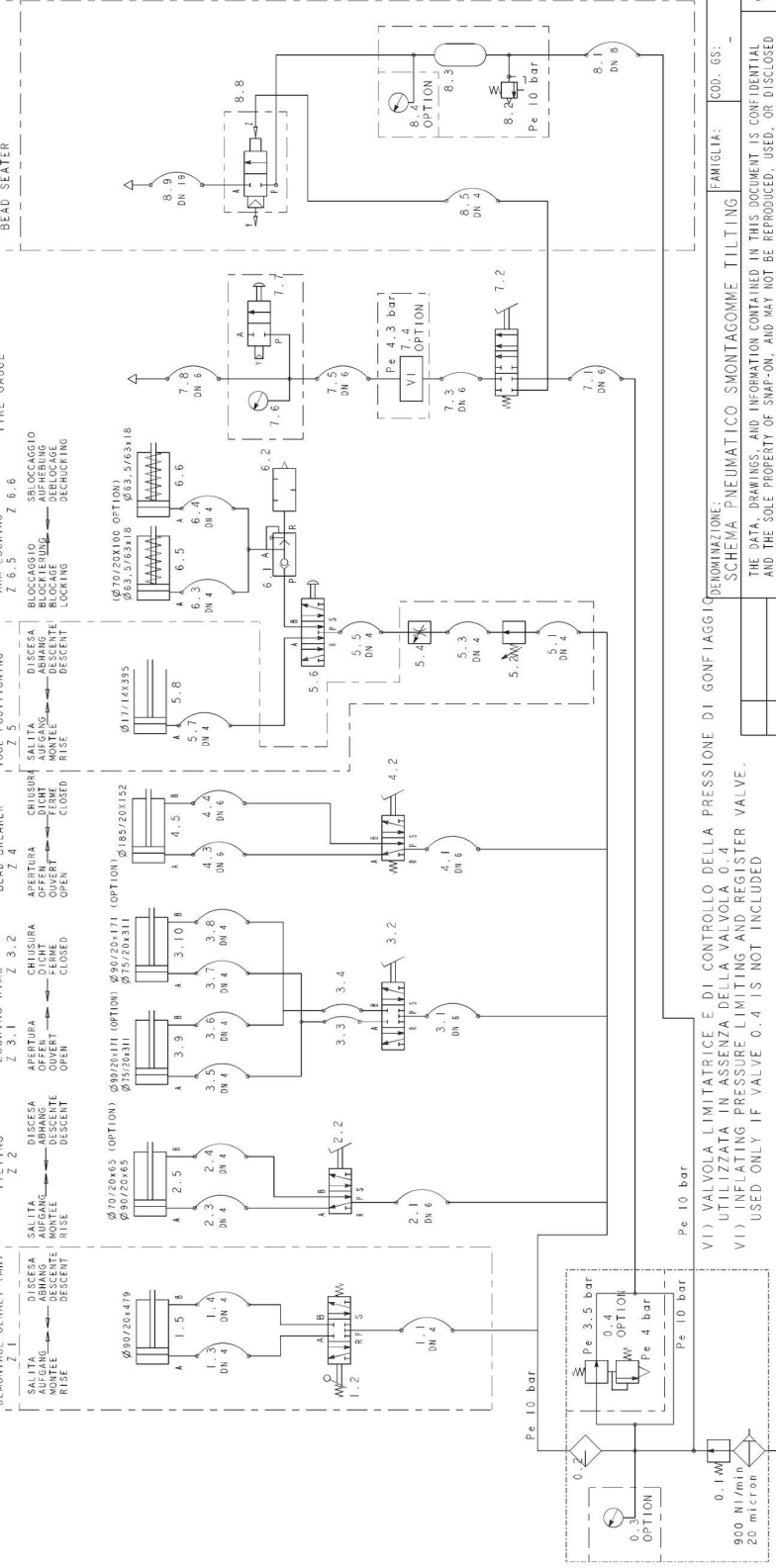
4 STALLONATORE
DETALLONNAGE
BEAD BREAKER

5 (OPTION / EXTRA)
POSIZIONE UTENSILE
POSITION DE L'OUTIL
TOOL POSITIONING

6 BLOCCAGGIO BRACCI
BLOCCAGE BRAS
BLOCKING ARMS

7 PINZA GONFIAGGIO
PISTONNETTE GONFLAGE
TIRE GAUGE

8 (OPTION / EXTRA)
GONFIATUBILESS
SCHLAUCHLOSFULLVORRICHTUNG
CONFLAGE TUBELESS
BEAD SEATER



DETERMINAZIONE: SCHEMA PNEUMATICO SMONTAGGIO TILTING

FAMIGLIA: COD. GS: --

TEEWH006T
COPYRIGHT
2024

UNLESS OTHERWISE SPECIFIED MATERIAL DIMENSIONS ARE IN MILLIMETERS

GENERAL TOLERANCES:
OVER 6 TO 30 ±0.2
OVER 30 TO 120 ±0.3
OVER 120 TO UP ±0.5

ANGULAR TOLERANCES:
HOLE SURFACE: ISO 1302

FINISH

PROJ NO

DR He-st.er.Liu 2024-Dec-06

CK M.MARIANI 2024-Dec-06

A3 APP P.SOTGIU 2024-Dec-06

QUALITY DOC N/A

PCN HISTORY N/A

REV PCN HISTORY FIRST ANGLE PROJECTION

A 240208

REV PCN HISTORY FIRST ANGLE PROJECTION

RELEASE REV A

TEEWH006T

SHEET 1 OF 2

VII) VALVOLA LIMITATRICE E DI CONTROLLO DELLA PRESSIONE DI GONFIAGGIO UTILIZZATA IN ASSENZA DELLA VALVOLA 0.4
UTILIZZATA IN ASSENZA DELLA VALVOLA 0.4
USED ONLY IF VALVE 0.4 IS NOT INCLUDED

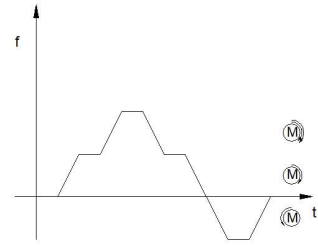
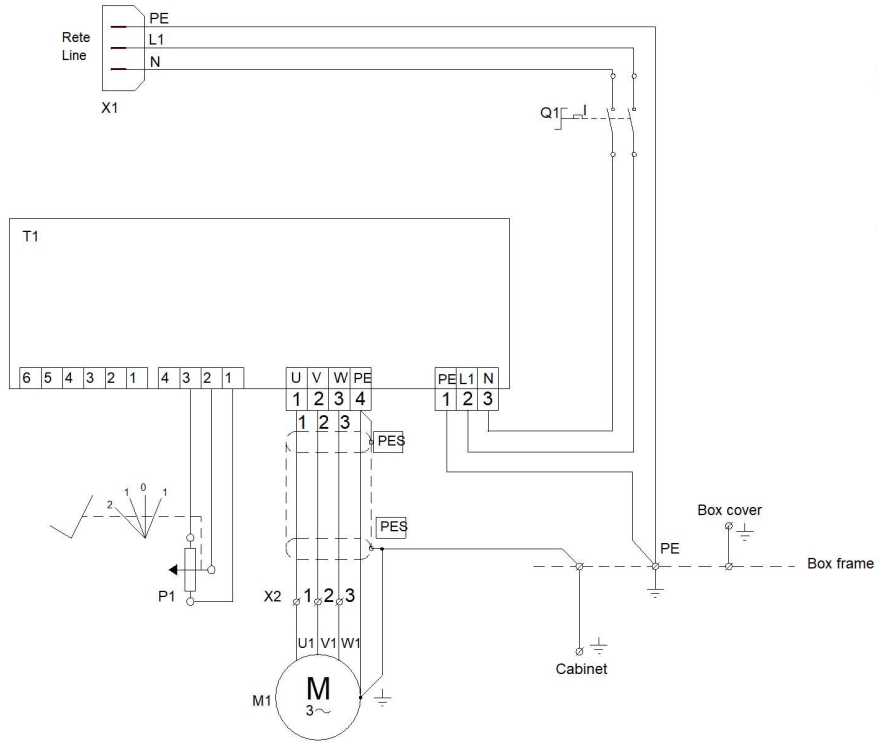
STAMPED

CORREGGIO, ITALY

PNEUMATIC DIAGRAM FOR TILT TIRE CHANGER

8.9	1	TUBO FLESSIBILE	SCHLAUCH	TUYAU FLEXIBLE	FLEXIBLE HOSE	MANULI
8.8	1	VALVOLA A COMANDO PNEUMATICO	VENTIL MIT PNEUM. STEUERUNG	VANNE A COMMANDE PNEUMATIQUE	VALVE WITH PNEUMATIC DRIVE	KPM / AUTEL
8.5	1	TUBO FLESSIBILE	SCHLAUCH	TUYAU FLEXIBLE	FLEXIBLE HOSE	MAZZER
8.4	1	MANOMETRO	MANOMETER	MANOMETRE	MANOMETER	AIREX
8.3	1	SERBATOIO	TANK	RESRVOIR	TANK	Snap-on / FABBRI
8.2	1	VALVOLA DI SICUREZZA	SICHERHEITSVENTIL	VANNE DE SICURETE	SAFETY VALVE	STIMA
8.1	1	TUBO FLESSIBILE	SCHLAUCH	TUYAU FLEXIBLE	FLEXIBLE HOSE	MAZZER
7.8	1	TUBO FLESSIBILE	SCHLAUCH	TUYAU FLEXIBLE	FLEXIBLE HOSE	MANULI
7.7	1	VALVOLA A 2 VIE	ZWEISEITIGE VENTIL	VANNE A 2 VOIES	TWOWAY VALVE	Snap-on
7.6	1	MANOMETRO	MANOMETER	MANOMETRE	MANOMETER	WIKA
7.5	1	TUBO FLESSIBILE	SCHLAUCH	TUYAU FLEXIBLE	FLEXIBLE HOSE	MAZZER
7.4	1	AIR CONTROL	AIR CONTROL	AIR CONTROL	AIR CONTROL	Aircomp
7.3	1	TUBO FLESSIBILE	SCHLAUCH	TUYAU FLEXIBLE	FLEXIBLE HOSE	MAZZER
7.2	1	VALVOLA A 4 VIE	VIERSSEITIGE VENTIL	VANNE A 4 VOIES	FOURWAY VALVE	Snap-on
7.1	1	TUBO FLESSIBILE	SCHLAUCH	TUYAU FLEXIBLE	FLEXIBLE HOSE	MAZZER
6.6	1	CILINDRO A SEMPLICE EFFETTO	EINFACH WIRKENDE ZYLINDER	VERIN A SIMPLE EFFET	SINGLE EFFECT CYLINDER	Snap-on
6.5	1	CILINDRO A SEMPLICE EFFETTO	EINFACH WIRKENDE ZYLINDER	VERIN A SIMPLE EFFET	SINGLE EFFECT CYLINDER	Snap-on
6.4	1	TUBO FLESSIBILE	SCHLAUCH	TUYAU FLEXIBLE	FLEXIBLE HOSE	MAZZER
6.3	1	TUBO FLESSIBILE	SCHLAUCH	TUYAU FLEXIBLE	FLEXIBLE HOSE	MAZZER
6.2	1	SILENZIATORE	SILENCER	SILENCIEUX	SCHALLDAMPFER	GENERAL CONTROL
6.1	1	VALVOLA DI SCARICO RAPIDO	RAPID EXHAUST VALVE	SOUPAPE D'ECHAPPEMENT RAPIDE	SCHNELLENTLUFTUNGS VENTIL	CAMOZZI
5.8	1	CILINDRO A SEMPLICE EFFETTO	EINFACH WIRKENDE ZYLINDER	VERIN A SIMPLE EFFET	SINGLE EFFECT CYLINDER	Snap-on
5.7	1	TUBO FLESSIBILE	SCHLAUCH	TUYAU FLEXIBLE	FLEXIBLE HOSE	MAZZER
5.6	1	VALVOLA A 5 VIE	FUNFSEITIGE VENTIL	VANNE A 5 VOIES	FIVEWAY VALVE	Snap-on
5.5	1	TUBO FLESSIBILE	SCHLAUCH	TUYAU FLEXIBLE	FLEXIBLE HOSE	MAZZER
5.4	1	VALVOLA REGOLATRICE DI PORTATA	GESCHALTETES STROMREGELVENTIL	REGULATEUR DE DEBIT	FLOW CONTROL VALVE	CAMOZZI
5.3	1	TUBO FLESSIBILE	SCHLAUCH	TUYAU FLEXIBLE	FLEXIBLE HOSE	MAZZER
5.2	1	RIDUTTORE	REDUKTOR	REDUCTEUR	REDUCER	STAMPOTECNICA
5.1	1	TUBO FLESSIBILE	SCHLAUCH	TUYAU FLEXIBLE	FLEXIBLE HOSE	MAZZER
4.5	1	CILINDRO A DOPPIO EFFETTO	DOPPELTWIRKENDER ZYLINDER	VERIN A DOUBLE EFFET	DOUBLE EFFECT CYLINDER	Snap-on
4.4	1	TUBO FLESSIBILE	SCHLAUCH	TUYAU FLEXIBLE	FLEXIBLE HOSE	MAZZER
4.3	1	TUBO FLESSIBILE	SCHLAUCH	TUYAU FLEXIBLE	FLEXIBLE HOSE	MAZZER
4.2	1	VALVOLA A 5 VIE	FUNFSEITIGE VENTIL	VANNE A 5 VOIES	FIVEWAY VALVE	Snap-on
4.1	1	TUBO FLESSIBILE	SCHLAUCH	TUYAU FLEXIBLE	FLEXIBLE HOSE	MAZZER
3.10	1	CILINDRO A DOPPIO EFFETTO	DOPPELTWIRKENDER ZYLINDER	VERIN A DOUBLE EFFET	DOUBLE EFFECT CYLINDER	Snap-on
3.9	1	CILINDRO A DOPPIO EFFETTO	DOPPELTWIRKENDER ZYLINDER	VERIN A DOUBLE EFFET	DOUBLE EFFECT CYLINDER	Snap-on
3.8	1	TUBO FLESSIBILE	SCHLAUCH	TUYAU FLEXIBLE	FLEXIBLE HOSE	MAZZER
3.7	1	TUBO FLESSIBILE	SCHLAUCH	TUYAU FLEXIBLE	FLEXIBLE HOSE	MAZZER
3.6	1	TUBO FLESSIBILE	SCHLAUCH	TUYAU FLEXIBLE	FLEXIBLE HOSE	MAZZER
3.5	1	TUBO FLESSIBILE	SCHLAUCH	TUYAU FLEXIBLE	FLEXIBLE HOSE	MAZZER
3.4	1	TUBO FLESSIBILE	SCHLAUCH	TUYAU FLEXIBLE	FLEXIBLE HOSE	MAZZER
3.3	1	TUBO FLESSIBILE	SCHLAUCH	TUYAU FLEXIBLE	FLEXIBLE HOSE	MAZZER
3.2	1	VALVOLA A 5 VIE	FUNFSEITIGE VENTIL	VANNE A 5 VOIES	FIVEWAY VALVE	Snap-on
3.1	1	TUBO FLESSIBILE	SCHLAUCH	TUYAU FLEXIBLE	FLEXIBLE HOSE	MAZZER
2.5	1	CILINDRO A DOPPIO EFFETTO	DOPPELTWIRKENDER ZYLINDER	VERIN A DOUBLE EFFET	DOUBLE EFFECT CYLINDER	Snap-on
2.4	1	TUBO FLESSIBILE	SCHLAUCH	TUYAU FLEXIBLE	FLEXIBLE HOSE	MAZZER
2.3	1	TUBO FLESSIBILE	SCHLAUCH	TUYAU FLEXIBLE	FLEXIBLE HOSE	MAZZER
2.2	1	VALVOLA A 5 VIE	FUNFSEITIGE VENTIL	VANNE A 5 VOIES	FIVEWAY VALVE	Snap-on
2.1	1	TUBO FLESSIBILE	SCHLAUCH	TUYAU FLEXIBLE	FLEXIBLE HOSE	MAZZER
1.5	1	CILINDRO A DOPPIO EFFETTO	DOPPELTWIRKENDER ZYLINDER	VERIN A DOUBLE EFFET	DOUBLE EFFECT CYLINDER	Snap-on
1.4	1	TUBO FLESSIBILE	SCHLAUCH	TUYAU FLEXIBLE	FLEXIBLE HOSE	MAZZER
1.3	1	TUBO FLESSIBILE	SCHLAUCH	TUYAU FLEXIBLE	FLEXIBLE HOSE	MAZZER
1.2	1	VALVOLA A 5 VIE	FUNFSEITIGE VENTIL	VANNE A 5 VOIES	FIVEWAY VALVE	STAMPOTECNICA
1.1	1	TUBO FLESSIBILE	SCHLAUCH	TUYAU FLEXIBLE	FLEXIBLE HOSE	MAZZER
0.4	1	RIDUTTORE + VALVOLA DI SICUREZZA	REDUKTOR + SICHERHEITSVENTIL	REDUCTEUR + SOUPAPE DE SICURETE	REDUCER + SAFETY VALVE	STAMPOTECNICA
0.3	1	MANOMETRO	MANOMETER	MANOMETRE	MANOMETER	AIREX
0.2	1	LUBRIFICATORE	SCHMIERVORRICHTUNG	LUBRIFIANT	LUBRIFICATOR	STAMPOTECNICA
0.1	1	FILTRO + RIDUTTORE	FILTER + REDUKTOR	FILTRE + REDUCTEUR	FILTER + REDUCER	STAMPOTECNICA
N.	Q.TA' Stuck Q.TE' Q.TY	DENOMINAZIONE	BENENNUNG	DESCRIPTION	DESCRIPTION	PRODUTTORE HERSTELLER PRODUCTEUR PRODUCER

		PROJ NO. -	SCALE NO	Snap-on	Correggio (RE) - ITALY	
		DR Hester.Liu			Release	REV A
A	24G0208	DATE 2024/12/09		PNEUMATIC DIAGRAM FOR TILT T/CHANGER	TEEWH006T	
REV	PCN HISTORY	QUALITY DOC -			SHEET 2 OF 2	
		SUPERCEDES -				



(M)	(M)	(M)
2	10	1

Potentiometer table
Tabella potenziometro

- | | | |
|----|----------------------|-------------------------|
| M1 | Motor | Motore |
| Q1 | Main switch | Interruttore principale |
| P1 | Potentiometer | Potenziometro |
| T1 | Inverter | Inverter |
| X1 | Main plug | Spina di alimentazione |
| X2 | Motor terminal block | Morsetteria motore |

REV	CHANGES - MODIFICHE	DATE	NAME
A	Production release	2021.01.18	F. Cagnolati

DENOMINAZIONE: SCHEMA ELETTRICO CSA		FAMIGLIA: 824	COD. GS: TEEWH588ACWD
THE DATA, DRAWINGS, AND INFORMATION CONTAINED IN THIS DOCUMENT IS CONFIDENTIAL AND THE SOLE PROPERTY OF SNAP-ON, AND MAY NOT BE REPRODUCED, USED, OR DISCLOSED WITHOUT WRITTEN PERMISSION OF AN OFFICER OF SNAP-ON.		COPYRIGHT 2021	
UNLESS OTHERWISE SPECIFIED DIMENSIONS ARE IN MILLIMETERS GENERAL TOLERANCES		MATERIAL ALL MATERIALS MUST COMPLY WITH RoHS, REACH, CA PROP 65, AND CONFLICT MINERAL	
OVER 0.5 TO 6.0 ± 0.1		FINISH	
OVER 6.0 TO 30 ± 0.2		CORREGGIO, ITALY	
OVER 30 TO 120 ± 0.3		PROJ NO	
OVER 120 TO UP ± 0.5		DR F. Cagnolati 2021.01.18	
ANGULAR ± 1°		CK	
HOLES ± 0.1		APP	
SHEET METAL ± 0.5		A3	
SURFACE: ISO 1302		QUALITY DOC	
A 21G0004		SUPERCEDES	
REV PCN HISTORY		ELECTRIC DIAGRAM CSA	
FIRST ANGLE PROJECTION		RELEASE REV A	
DWG		TEEWH588ACWD	
		SHEET 1 OF 1	

THE DATA, DRAWINGS, AND INFORMATION CONTAINED IN THIS DOCUMENT IS CONFIDENTIAL AND THE SOLE PROPERTY OF SNAP-ON, AND MAY NOT BE REPRODUCED, USED, OR DISCLOSED WITHOUT WRITTEN PERMISSION OF AN OFFICER OF SNAP-ON.

COPYRIGHT
2020

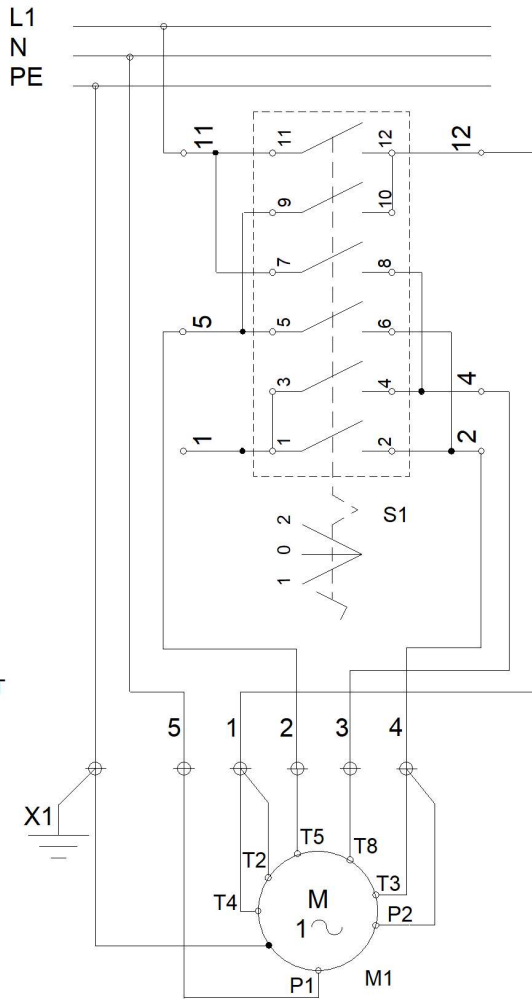
TEEWH784AWD
SHEET 1 OF 1

REV	CHANGES - MODIFICHE	DATE	NAME
A	Production release.	2020.11.24	F. Cagnolati
B	Changed motor connection to 5 wires.	2021.02.17	F. Cagnolati

3	11-12	X		X
	9-10			X
2	7-8	X		
	5-6	X		
1	3-4			X
	1-2	X		X
		1	0	2

SWITCHING TABLE
TABELLA COMMUTAZIONI

S1 INVERTITORE ROTARY SWITCH
M1 MOTORE MOTOR
X1 MESSA A TERRA GROUNDING POINT



NIDEC MOTOR

DENOMINAZIONE: SCHEMA ELETTRICO MOTORE MONOFASE 115V FAMIGLIA: COD. GS: TEEWH784AWD

UNLESS OTHERWISE SPECIFIED
DIMENSIONS ARE IN MILLIMETERS
GENERAL TOLERANCES
OVER 0.5 TO 6.0 ± 0.1
OVER 6.0 TO 30 ± 0.2
OVER 30 TO 120 ± 0.3
OVER 120 TO UP ± 0.5
ANGULAR ± 1°
HOLES ± 0.1
SHEET METAL ± 0.5
SURFACE: ISO 1302

MATERIAL
ALL MATERIALS MUST COMPLY WITH RoHS,
REACH, CA PROP 65, AND CONFLICT MINERALS.
FINISH
PROJ NO
DR F. Cagnolati 2020.11.24
CK

Snap-on

CORREGGIO, ITALY

1 PHASE MOTOR 115V
ELECTRIC DIAGRAM

B	21G0021		A4	APP	RELEASE	REV B
A	20G0232			DWG	QUALITY DOC	TEEWH784AWD
REV/PCN HISTORY		FIRST ANGLE PROJECTION	DWG	SUPERCEDES	SHEET 1 OF 1	

Notice: The information contained in this document is subject to change without notice. **Snap-on Equipment** makes no warranty with regard to present documentation. **Snap-on Equipment** shall not be liable for errors contained herein or for incidental consequential damages in connection with furnishings, performance, or use of this material.

Attention: Les informations figurant dans le présent document peuvent faire l'objet de modifications sans préavis. **Snap-on** ne délivre aucune garantie sur le présent matériel. **Snap-on** décline toute responsabilité des erreurs que ces matériaux de documentation pourraient contenir et en cas de dommages accidentels ou indirects dérivant de leur fourniture, de leur interprétation et de leur utilisation.

Nota: La información aquí contenida está sujeta a cambios sin aviso. **Snap-on** no ofrece ninguna garantía sobre esta documentación. **Snap-on** no podrá ser considerado responsable por errores contenidos en esta publicación ni por daños consecuenciales incidentales en relación con el equipamiento, rendimiento o uso de este material.

• Manufacturing Facilities • Sites de production • Instalaciones de fabricación •

Snap-on Equipment SrL · Via Per Carpi 33 - 42015 Correggio RE - Italy
Snap-on Equipment · 309 Exchange Avenue Conway, Arkansas 72032

• Technical alterations reserved - Refer to the data plates for effective manufacturing location • Modifications techniques réservées - Consulter les plaques signalétiques pour connaître le lieu de fabrication • Modificaciones técnicas reservadas – Consultar las placas de datos para la ubicación efectiva de la fabricación •