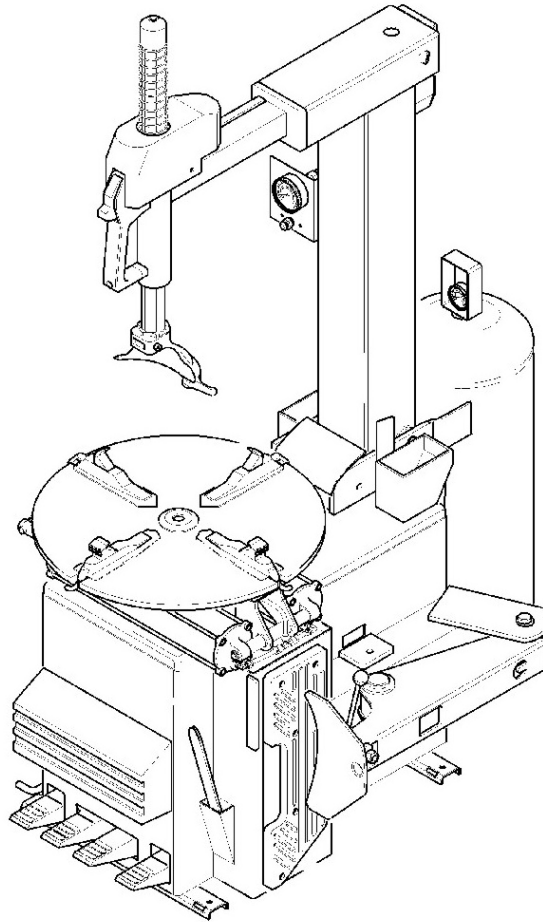


# JohnBean™

Spare Parts Pieces de Rechange Tabla de repuestos



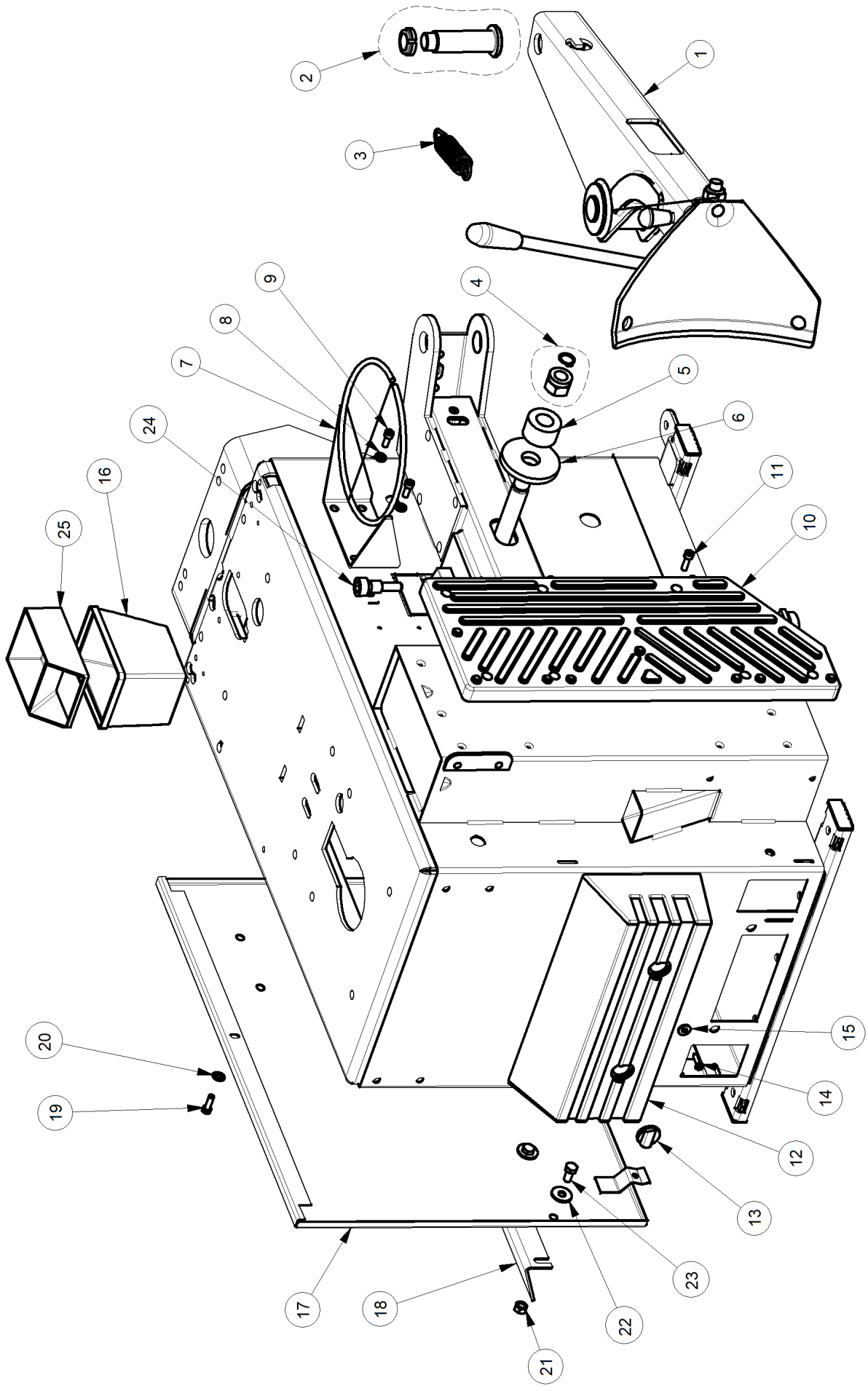
## EHP SYSTEM IVE



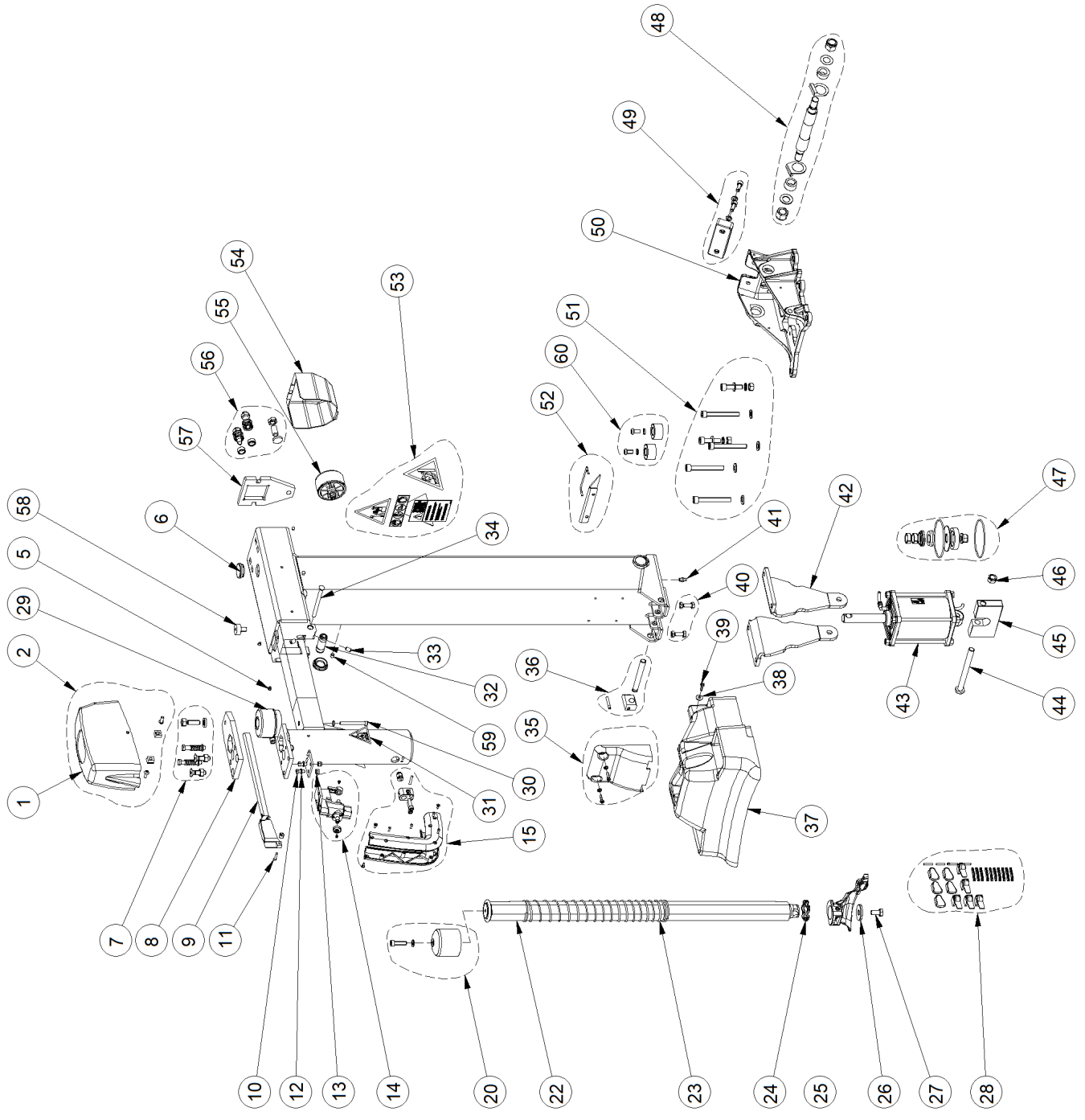
INDEX		Page
EAZ0122G43A_A	CABINET	4
EAZ0122G43A_A	CABINET	5
EAZ0132G84A_A	TILTING TOWER	6
EAZ0132G84A_A	TILTING TOWER	7
EAZ0089G78A_C	24" TURNTABLE GT	8
EAZ0089G78A_C	24" TURNTABLE GT	9
EAZ0122G09A_B	MOTOR AND GEAR BOX	10
EAZ0122G09A_B	MOTOR AND GEAR BOX	11
EAZ0070G95A_B1	FOOT PEDAL ASSY ASM 4P 3PH	12
EAZ0070G95A_B1	FOOT PEDAL ASSY ASM 4P 3PH	13
EAZ0033G69A_B	BEAD BREAKER SYSTEM	14
EAZ0033G69A_B	BEAD BREAKER SYSTEM	15
EAZ0033G72A_B	TUBELESS BEADING DEVICE	16
EAZ0033G72A_B	TUBELESS BEADING DEVICE	17
EAZ0132G77A_A	AIR CONTROL SYSTEM	18
EAZ0132G77A_A	AIR CONTROL SYSTEM	19
EAZ0122G37A_B	NA INVERTER ENHANCED POTENTIOMETER	20
EAZ0122G37A_B	NA INVERTER ENHANCED POTENTIOMETER	21
EAZ0103G92A_B1	4P CTS POTENTIOMETER PEDAL UNIT	22
EAZ0103G92A_B1	4P CTS POTENTIOMETER PEDAL UNIT	23
EAZ0132G22A_A	INFLATOR ASSY	24
EAZ0132G22A_A	INFLATOR ASSY	25
0029125_1	PNEUMATIC DIAGRAM	26
0029125_2	PNEUMATIC DIAGRAM	27
EEWH708CWD_B	INVERTER DIAGRAM	28
EEWH306AWD_E	MONOPHASE- USA MOTORS	29

**UPDATING GUIDE:**

**Oct. 2019: TEEWH514A3 > TEEWH514A7**  
**EAZ0132G84A CORRECTED**



POS.	CODE	DESIGNATION	DESIGNATION	DESIGNATION	N	Note	Note	A	B	C
1	EAA0338G44A	BEAD BREAKER EXTENSIBLE	DEBALLONNEUR EXTENSIBLE	DESTALONADORA EXTENSIBLE	1					X
2	EAK0306G20A	FULCRUM KIT FOR BEAD BREAKER ARM	KIT PIVOT BRAS DETALONNEUR	KIT PERNO BRAZO DESTALONADOR	1					X
3	EAM0067G69A	SPRING-RECALL ARM, BEAD BREAKER	RESSORT RAPPEL BRAS DETALONNEUR	MUELLE REGRESO BRAZO DESTALONADOR	1					X
4	EAK0306G23A	FIXING KIT FOR BEAD BREAKER ARM	KIT FIXATION BRAS DETALONNEUR	KIT FIJACIÓN BRAZO DESTALONADOR	1					X
5	EAC0097G51A	WASHER - SHOCK ABSORBER	RONDELLE- AMORTISSEMENT	ARANDELA DE AMORTIGUACIÓN	1					X
6	EAM0067G33A	WASHER SUPPORT-BEAD BREAKER	RONDELLE APPUI DETALONNEUR	ARANDELA SOPORTE DESTALONADOR GALV.	1					X
7	EAA0349G76A	RING- BOX, GREASE	COURONNE BOITE GRAISSE	ANILLO PORTAGRASA GALVANIZADO BLANCO	1					X
8	1-9841	WASHER,PLAIN d6 ZINC.	RONDELLE d.6	ARANDELA P.D.6 GALVANIZ.	2					X
9	1-16309	SCREW HEX SOCKET M 6X16	VIS CHc	TORNILLO TCEI	2					X
10	EAC0099G22A	PAD- SUPPORT , BEADBREAKER	PALIER APPUI DETALONNEUR	TAMPÓN SOPORTE DESTALONADOR	1					X
11	1-16409A	SCREW TCEI 6X20 8G	VIS CHc	TORNILLO TCEI	7					X
12	EAC0087G57A	PROTECTOR,PEDALS - PLASTIC	PROTECTION PEDALES PLASTIQUE	PROTECTOR PEDALES, PLASTICO	1					X
13	EAC0087G61A	CUP FOR PROTECTION PEDALS	BOUCHON POUR PEDALIER CARTER	TAPON P. RUEDA DENTADA CARTER	2					X
14	1-24223A	SCREW- SELFTHREAD. 10EX16 TE	VIS AUTOTAR.	TORNILLO AUTOF.	2					X
15	1-19041A	WASHER 5X16X1	RONDELLE 5X16X1 BRUNIE	ARANDELA 5X16X1	2					X
16	8-03129A	BOX-GREASE	BAC GRAISSE	CONTENEDOR PARA GRASA	1					X
17	EAS2029J62A	BLACK SIDE	CÔTE NOIRE	FLANCO NEGRO	1					X
18	EAS2115G83A	PROTECTOR,PEDAL	PROTECTION PEDALE	PROTECCIÓN PEDAL NEGRO RECUBIERTO	1					X
19	1-30901A2	SCREW TE 6X20 8G	VIS H	TORNILLO TE	1					X
20	1-1548	WASHER-LOCK d.6	RONDELLE DE d.6	ARANDELA DE D.6	1					X
21	1-11733	NUT M8 UNI5588-65/DIN934	ECROU M8 6S STAND.JAUNE	TUERCA M8 6S NORM.GALV.BLANCA	2					X
22	1-17841	WASHER - d. 8X24	RONDELLE d.8X24	ARANDELA COMUN D.8X24 GALVANIZ.	2					X
23	1-32501A	SCREW 8X16 8G	VIS H	TORNILLO TE	2					X
24	EAM0067G34A	SCREW-FITTING- CYLINDER B/BREAK	FIS FIXATION VERIN DETALONNEUR	TORNILLO FIJACIÓN CIL.DESTALON.	2					X
25	1-31581A	PLUG-VALVE, HOUSING	BAC SOUPE	TAPA PORTAVÁLVULAS	1					X



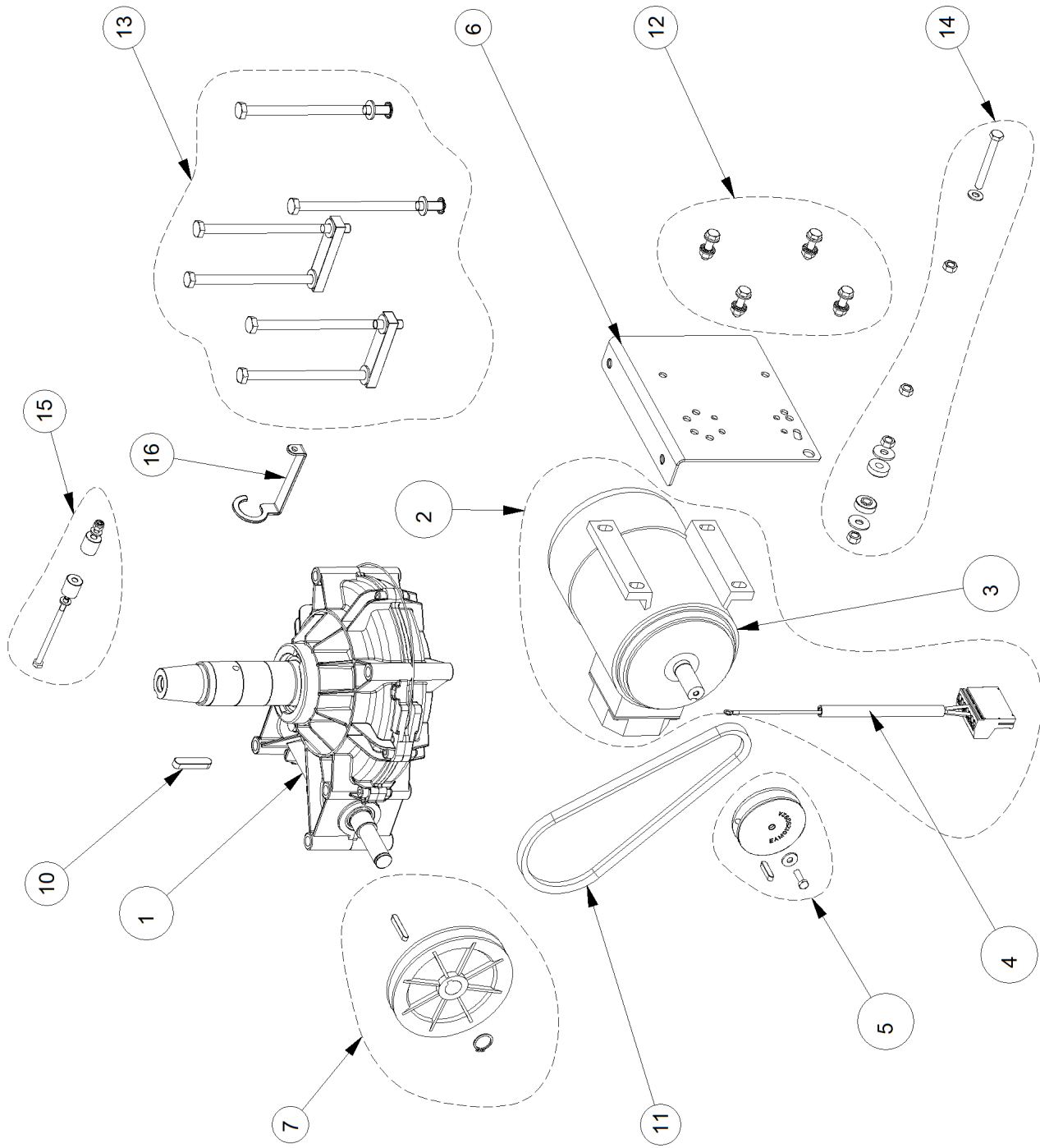
POS.	CODE	DESIGNATION	DÉSIGNATION	DESIGNACIÓN	N.	Note	A	B	C
1	EAC0102G54A	PROTECTION-UPPER, TOWER	PROTECTION SUPERIEURE, POTENCE	PROTECCIÓN SUPERIOR, COLUMNA	1				X
2	EAK0306G40A	UPPER COLUMN CARTER KIT	KIT CARTER SUPERIEUR MAT	KIT CARTER SUPERIOR POSTE	1				X
5	EAC0099G76A	D.5 CAP FOR SIDE PANEL	TOLE LATERAL	CHAPA LATERAL	4				X
6	EAC0097G57A	PLUG-SCREW,RETAINING	BOUCHON - VIS ,ARRET	TAPA PARA TORNILLO DE PARE	2				X
7	EAK0306G39A	SCREWS FOR UPPER LOCKING LEVER	KIT VIS BLOCAGE SUPERIEUR	KIT TORNILLOS ESTRANGULADOR SUPERIOR	1				X
8	EAM0074G94A	LEVER, PLATE-UPPER	LEVIER PLAQUETTE SUPERIEURE	PALANCA PLAQUETA SUPERIOR	1				X
9	EAC0099G86A	CARTER, HOSES PROTECTION	CARTER PROTECTION TUYAUX	CÁRTER PROTECCIÓN TUBOS	1				X
10	1-14701A	SCREW HEX HEAD MACHINE 6X16 8G	VIS H	TORNILLO TE	2				X
11	1-17203A	SCREW TSEI 4X16 10.9	VIS Fhc	TORNILLO TSEI	1				X
12	1-13241	WASHER,FLAT, d.6	RONDELLE DIAM 6	ARANDELA PLANA D.6 BR	3				X
13	1-01637A	NUT-S.LOCK,HIGH - M6 55	ECROU AUTOB.HAUT M6 55	TUERCA M6 AUT.ALTO CL6	2				X
14	EA00338G09A	VALVE,LIFT CONTROL,YELLOW BUTTON	SOUAPE CONTROLE ELEVATEUR	VALVULA MANDO ELEVADOR	1				X
15	EAK0316G10A	KIT HANDLE TILTING TOWER	KIT POIGNEE POTEAU RABATTABLE	KIT ASA POSTE ABATIBLE	1				X
20	EAK0306G47A	PROTECTION KIT FOR SPRING	KIT PROTECTION RESSORT TIGE HEXAGONALE	KIT PROTECCIÓN MUELLE VARILLA HEXAGONAL	1				X
22	EAM0102G40A	ROD VERTICAL	TIGE VERTICALE	BARRA VERTICAL	1				X
23	EAM0055G22A	SPRING,RECALL-TOWER, VERTICAL	RESSORT RETOUR TIGE VERTICALE	MUELLE REGRESO COLUMNA VERTICAL	1				X
24	EAC0094G01A	SHOCK ABSORBER- ROD	AMORTISSEUR- TIGE	AMORTIGUADOR VARILLA	1				X
25	EA00329G95A	MOUNTING/DEMOUNTING TOOL	OUTIL P. MONTAGE ET DEMONTAGE	HERRAMIENTA P. MONTAJE Y DESMONTAJE	1				X
26	EAM0032G02A	WASHER- TOOL CLAMPING	RONDELLE FIXATION OUTIL	ARANDELA BLOQUEO HERRAMIENTA	1				X
27	1-34301A	SCREW HEX 10X20 8G	VIS H	TORNILLO TE	1				X
28	EA00372G24A	PROTECTIONS FOR MOUNTING TOOLS	PROTECTIONS FOR MOUNTING TOOLS	GRUPO PROTECCIONES UNIF. PARA HERRAMIENTA	1				X
29	EA00344G32A	CYLINDER- VERTICAL, LOCKING	VERIN- BLOCAGE VERTICAL	CILINDRO BLOQUEO VERTICAL	1				X
30	1-17209	SCREW TCEI 6X60 8G	VIS ChC	TORNILLO TCEI	1				X
31	EAL0408G42A	STICKER DANGER	PLAQUETTE DANGER	ADHESIVO PELIGRO	2				X
32	EAM0082G43A	ROLLER, ARM SLIDING	ROULEAU GLISSEMENT BRAS	CILINDRO DESPLAZAMIENTO BRAZO	1				X
33	1-55101A	SCREW M8X1X12 BURNISHED UNI 5923	VIS Fhc	TORNILLO STEI	4				X
34	EAM0082G44A	KICKOFF	EXPULSOR	EXPULSOR	1				X
35	EAK0306G83A	FRONT COLUMN PROTECTION KIT	KIT CARTER AVANT POTENCE	KIT CÁRTER ANTERIOR POSTE	1				X
36	EAK0306G50A	Ø12 FULCRUM KIT	KIT PIVOT Ø12	KIT PERNO Ø12	1				X
37	EAC0103G39A	BASE COLUMN PLASTIC COVER	HABILAGE BASE POTENCE BASC.	COBERTURA BASE POSTE ABATIBLE	1				X
38	1-19041A	WASHER 5X16X1	RONDELLE 5X16X1 BRUNIE	ARANDELA 5X16X1	4				X
39	1-24223A	SCREW - SELFTHREAD. 10EX16 TE	VIS AUTOTAR.	TORNILLO AUTOF.	4				X
40	EAK0306G49A	COLUMN END STROKE KIT	KIT FIN DE COURSE POTENCE	KIT FINAL DE CARRERA POSTE	1				X
41	1-18084A	GREASER-NIPPLE M8x1,25	GRAISSEUR A BILLES	ENGRASADOR A ESFERA M8x1,25	1				X
42	EAS2111G04A	BRACKET FOR TILTING TOWER	OREILLE POUR BASCULANTE	OREJA PARA ABATIBLE	2				X
43	EAA0356G14A	CYLINDER TILTING TOWER	VERIN POTENCE BASCULANTE	CILINDRO POSTE VOLCABLE	1				X
44	1-21501	SCREW TE 12X140 8G	VIS H	TORNILLO TE	1				X
45	EAM0069G66A	SPACER FOR CYLINDER	ENTRETOISE OREILLES VERIN	DISTANCIADOR OREJAS CILINDRO	1				X
46	1-19933A	NUT - LOCK - M12 DIN985	ECROU AUTOBLOQUANT M12	TUERCA M12 AUTOBLOQUEO CL6	1				X
47	EAA0356G43A	SEALS,KIT FOR TILTING-TOWER CYLINDER D.90	KIT JOINTS VERIN BASCULEMENT D.90	KIT JUNTAS CILINDRO ABATIBLE D.90	1				X
48	EAK0306G02A	TILTING TOWER CONNECTING KIT	KIT RACORDEMENT POTENCE BASCULANTE	KIT CONEXIÓN POSTE PLEGABLE	1				X
49	EAK0306G35A	CLAMP OVERTURNING KIT	KIT ARRET POTENCE BASCULANTE	KIT TOPE POSTE PLEGABLE	1				X
50	EAM0080G77A	TOWER SUPPORT MACHINED	SUPPORT POTENCE	SOPORTE POSTE MECANIZADO	1				X
51	EAK0306G37A	SCREWS+BOLTS FOR COLUMN SUPPORT	KIT VIS SUPPORT POTENCE	KIT TORNILLOS SOPORTE POSTE	1				X
52	EAK0306G51A	REAR COLUMN PROTECTION KIT	KIT CARTER ARRIERE POTENCE	KIT CÁRTER POSTERIOR POSTE	1				X
53	EAK0306G38A	LABEL KIT FOR COLUMN	KIT PLAQUETTES POTENCE	KIT PLACAS POSTE	2				X
54	EAC0102G53A	PROTECTION, CYLINDER	PROTECTION VERIN	PROTECCIÓN CILINDRO	1				X
55	EA00344G48A	CYLINDER - ROD,HORIZONTAL-LOCK	VERIN- BLOCAGE HORIZONTAL	CILINDRO BLOQUEAJE ORIZONTAL	1				X
56	EAK0306G48A	SCREWS FOR REAR LOCKING LEVER	KIT VIS BLOCAGE ARRIERE	KIT TORNILLOS ESTRANGULADOR POSTERIOR	1				X
57	EAM0074G95A	LEVER, LOCKING	LEVIER DE BLOCAGE	PALANCA DE BLOQUEAJE	1				X
58	EAC0094G00A	SCREW-ARM,RETAINING	VIS ARRET BRAS	TORNILLO DE PARO BRAZO	1				X
59	1-47810	SCREW	VIS Fhc	TORNILLO STEI	2				X
60	EAK0306G36A	SHOCK ABSORBER KIT FOR COLUMN	KIT TAMPONS AMORTISSEUR POTENCE	KIT TAMPONES AMORTIGUADOR POSTE	1				X



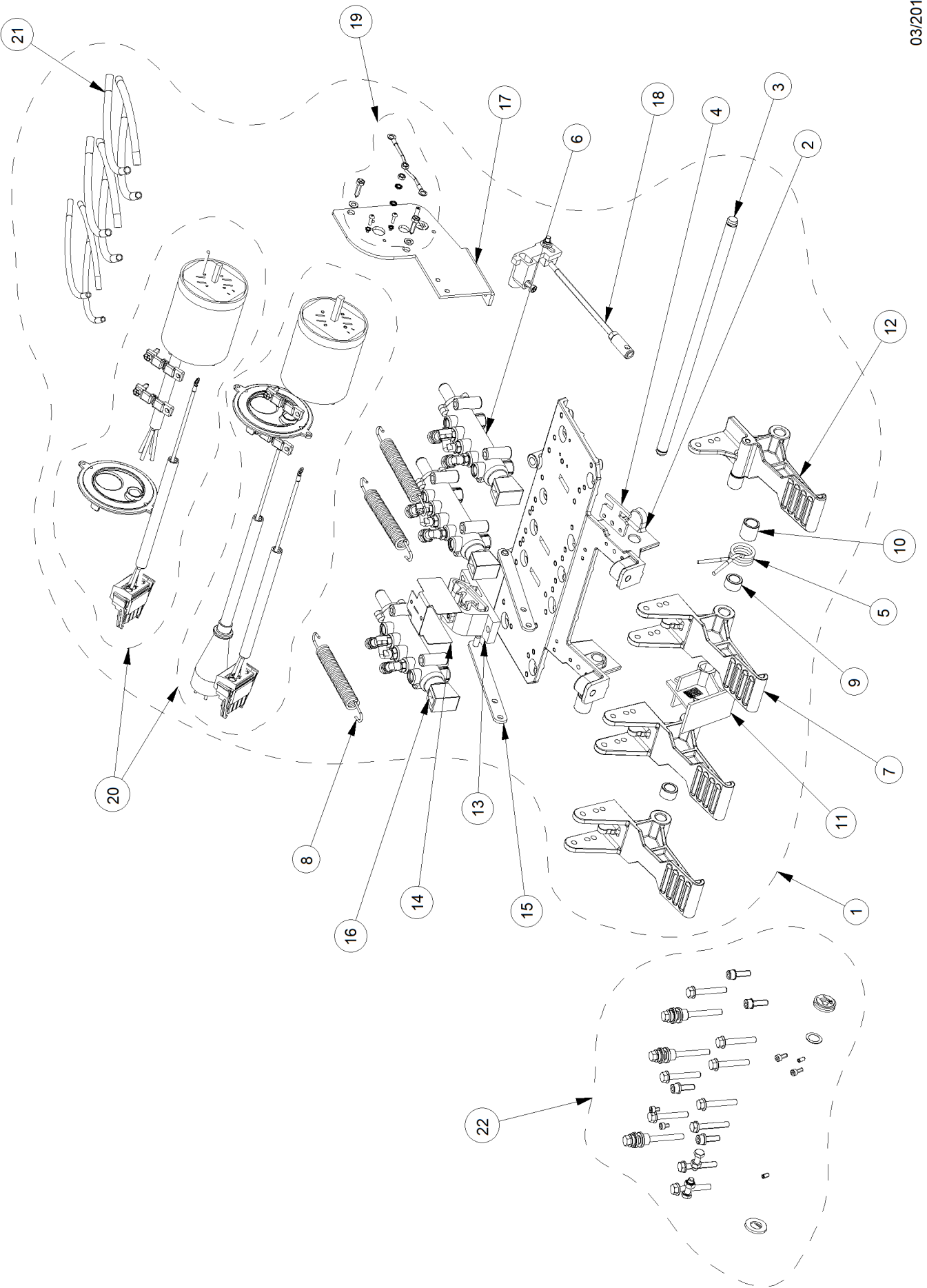




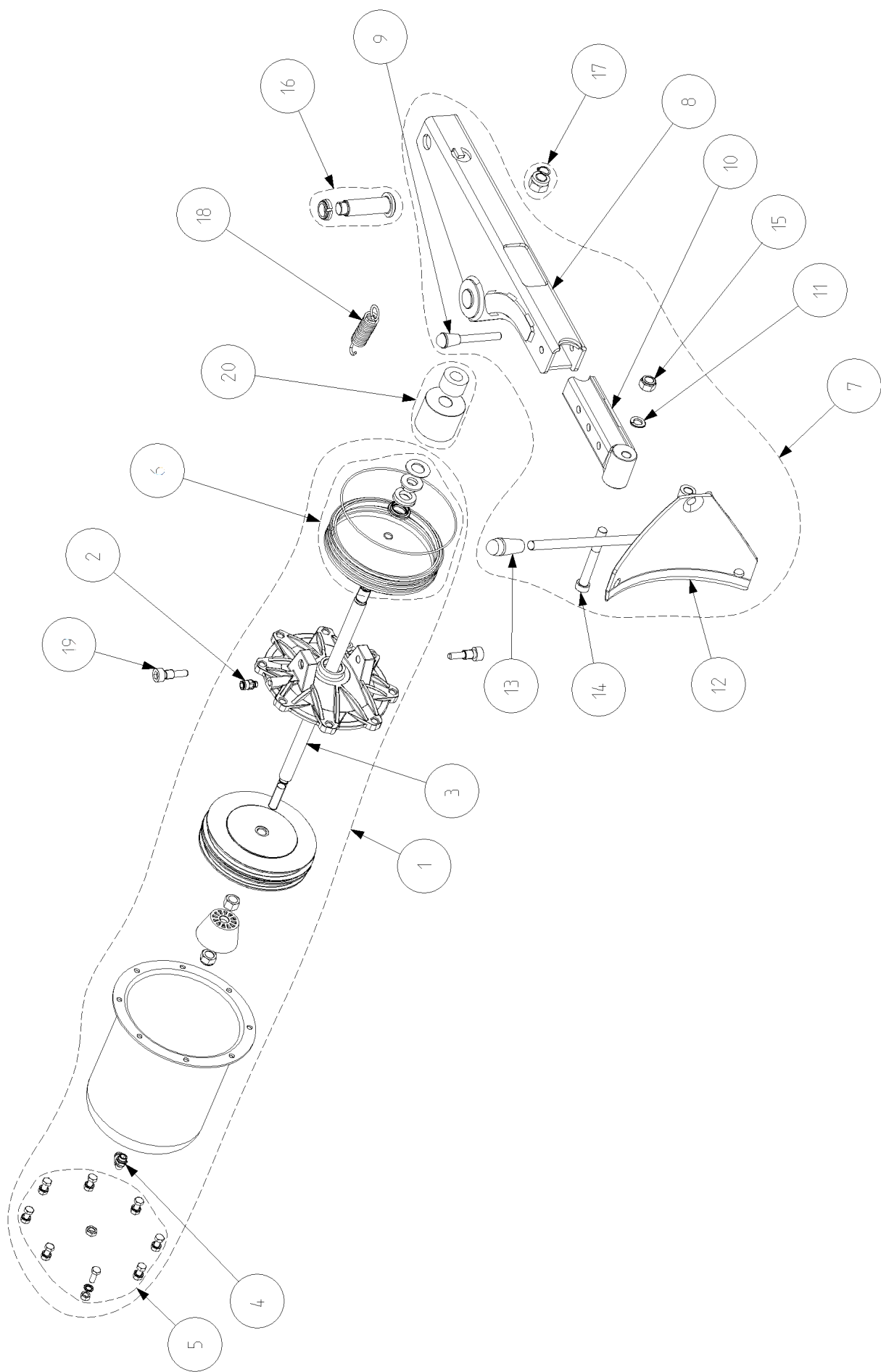
POS.	CODE	DESIGNATION	DÉSIGNATION	DESIGNACIÓN	N.	Note	Note	A	B	C
1	EAA0409G85A	24" TURN TABLE CENTRE TYPE GT	AUTOCENTRANT 24" C/CENT.GT COULISSANTS	AUTOCENTRANTE 24" C/CENT.GT DESLIZ.	1			X		
2	EAS2153G40A	PLATE- TURNTABLE,CENTRAL 20"	BRIDE AUTOCENTRANTE CEN 20"	BRIDA AUTOCENTRANTE CEN 20"	1			X		
3	EAM0051G00A	GUIDE TERMINALS,CENTRE CONVERG.	ETAU BORNES, CONV. CENTRE	GUJA BORNES CONV. CENTRO	4			X		
4	EAM0075G00A	CLAMP, SLIDING W/CENTRE 20"-S2-MACH.	ETAU COULISSANT A/CENTRE 20"-S2	ABRAZADERA CORREDERA C/CENTRO 20"-S2	4			X		
10	1-24603A	SCREW TSEI 8X60 12.9	VIS FHC	TORNILLO TSEI	4	8X60	UNI 5933-6X	X		
11	EAC0099G90A	PROTECTION JAWS	PROTECTION ETAUX	PROTECCIÓN ABRAZADERA	4			X		
12	1-36109A2	SCREW TBEI 5X10 8G	VIS BHc	TORNILLO TBEI	4	5X10	ISO 7380	X		
13	EAA0377G79A	BRACKET CYLINDERS	SIEGE VERINS	ESTRIBO CILINDROS	2			X		
14	EAK0329G88A	SCREWS AND BOLTS WITH ECCENTRIC	KIT VIS AVEC EXCENTRIQUE PLAQUE BORNES	KIT TORNILLOS C/EXCÉNTRICO PLACA BORNES	2			X		
15	EAK0329G89A	SCREWS AND BOLTS FOR CLAMPS	KIT VIS PLATEAU COMMANDE BORNES	KIT TORNILLOS PLACA MANDO BORNES	2			X		
16	EAK0330G35A	TT CYLINDER FITTINGS KIT	KIT RACCORDS CYLINDRE AUTOCENTRANT	KIT RACORES CILINDRO AUTOCENTRADOR	1			X		
18	EAK0306G25A	TURNTABLE FIXING KIT	KIT RACCORDEMENT AUTOCENTRANT	KIT CONEXIÓN AUTOCENTRADOR	1			X		
19	EAM0043G49A	PLATE, REGISTER -CLAMP	PLATEAU REGLAGE ETAU	PLATO REGLAJE GARRA	2			X		
20	EAA0351G73A	CLAMPING PLATE	PLAQUE DE FIXATION	PLACA MANDO BORNES	1			X		
21	EAA0410G31A	CYLINDER, TURNTABLE	CYLINDRE AUTOCENTRANT	CILINDRO AUTOCENTRADOR	2			X		
22	EAK0317G36A	SEAL SP FOR ROUND CYLINDER	KIT PIECE RECHANGE JOINTS CYLINDRES ROND.	KIT RECAMBIO JUNTAS CILINDROS REDONDOS	2			X		
23	EAK0306G27A	SCREWS AND BOLTS FOR TURNTABLE CYL.	KIT VIS VERINS AUTOCENTRANT	KIT TORNILLOS CILINDROS AUTOCENTRADOR	1			X		
24	EAM0051G85A	SUPPORT,RING	BAGUE DE SOUTIEN	ARANDELA DE SOPORTE	1			X		
25	1-18677A	RING- STOP D.60	ANNEAU D'ARRET	ANILLO DE PARO PARA ÁRBOL D.60	1	d.60	UNI 7435	X		
26	EAK0330G32A	GT SYSTEM FITTINGS KIT	KIT RACCORDS SYSTEME GT	KIT CONEXIONES SISTEMA GT	1			X		
29	1-25952A	PIN DOWEL 5x10 UNI EN 28734	GOUPILE	PASADOR	8	5X10		X		
30	EAK0317G09A	HOSES KIT FOR GT NOZZLES	KIT TUYAUX POUR BUSES GT	KIT TUBOS PARA BOQUILLAS GT	1			X		
31	EAA0304G69A	REVOLVING MANIFOLD, TUBELESS INFLATOR	DISTRIBUTEUR TOURNANT GT	DISTRIBUIDOR GIRATORIO GT	1			X		
32	EAA0338G76A	RING,OUTER- MANIFOLD	COLLIER EXTERIEUR COLLECTEUR	ARO EXTERIOR COLECTOR	1			X		
33	EAA0338G27A	RING-INSIDE, WITH SUPPORTS	COLLIER INTERIEUR AVEC ROUL.	RUEDA CON CONEXIÓN	1			X		
34	EAC0087G50A	SEAL TUBELESS INFLATOR-FRONT	JOINT FRONTAL GONFLEUR	JUARNICIÓN FRONTAL HINCHADOR TUBELES	1			X		
35	EAA0338G77A	SPRING, JOINT SEALING	RESSORT RETENUE JOINT	MUELLE SUJECIÓN JUNTA	1			X		
36	8-10814A	SEAL OR D.69.44X3.53	JOINT TORIQUE	JUARNICIÓN OR	3	ø69.44x3.53		X		
37	EAK0330G28A	REVOLVING MANIFOLD FITTINGS KIT	KIT RACCORDEMENT DISTRIBUT. TOURNANT	KIT RACORES DISTRIBUIDOR GIRATORIO	1			X		
40	EAK0317G08A	HOSES KIT FOR 24" TURNABLES	KIT TUYAUX POUR AUTO-CENTRANT 24"	KIT TUBOS PARA AUTOCENTRANTE 24"	1			X		
41	EAA0408G23A	ASSEMBLED SLIDING JAW C/TYPE V2	CALE COULISSANTE C/C ASSEMBLEE V2	CUÑA DESLIZANTE C/C MONTADO V2	4			X		



POS.	CODE	DESIGNATION	DÉSIGNATION	DESIGNACIÓN	N.	Note	A	B	C
1	EAA0457G27A	GEARBOX	REDUCTEUR	REDUCTOR	1	20" only			X
2	EAA0371G80A	1PH 230V MOTOR CABLE ASM	GRUPE MOTEUR CABLE 1F 230V	GRUPO MOTOR CABLE 1F 230V	1				X
2	EAA0371G84A	3PH 230V MOTOR CABLE ASM	GRUPE MOTEUR CABLE 3F 230V	GRUPO MOTOR CABLE 3F 230V	1				X
2	EAA0371G85A	3PH 400V MOTOR CABLE ASM	GRUPE MOTEUR CABLE 3F 400V	GRUPO MOTOR CABLE 3F 400V	1				X
3	2-54566A	MOTOR, SINGLE PHASE	MOTEUR MONOPHASE A	MOTOR MONOFÁSICO A	1				X
3	EAA0350G22A	MOTOR 1 PHASE 230 VOLT HP1	MOTEUR MONOPHASE 230-1-50-HP1	MOTOR MONOFÁSICO A 230-1-50-HP1	1				X
3	2-60266A	MOTOR 0.8/1.1KW 3PH 2/4P 200V 50HZ	MOTEUR 0.8/1.1KW 3F 2/4P 200V 50HZ	MOTOR 0.8/1.1KW 3F 2/4P 200V 50HZ	1				X
3	2-60466A	MOTOR 0.8/1.1KW 3PH 2/4P 230V 50HZ	MOTEUR 0.8/1.1KW 3F 2/4P 230V 50HZ	MOTOR 0.8/1.1KW 3F 2/4P 230V 50HZ	1				X
3	2-60366A	MOTOR 0.8/1.1KW 3PH 2/4P 400V 50HZ	MOTEUR 0.8/1.1KW 3F 2/4P 400V 50HZ	MOTOR 0.8/1.1KW 3F 2/4P 400V 50HZ	1				X
3	2-53066A	MOTOR 3PH 0.75 kW 1PS 220-380V-50HZ	MOTEUR HP1 *220-380V-50Hz-Hp1	MOTOR HP1 *220-380V-50Hz-Hp1	1				X
4	EAW0277G38A	115VAC MOTOR CABLE	CABLE MOTEUR 115VAC	CABLE MOTOR 115VCA (NARANJA)	1	A (ORANGE)			X
4	EAW0277G10A	1PH 115V MOTOR CABLE BLACK	CABLE MOTEUR 1F 115V NOIR	CABLE MOTOR 1F 115V	1	B (BLACK)			X
4	EAW0277G12A	1PH 230V MOTOR CABLE	CABLE MOTEUR 1F 230V	CABLE MOTOR 1F 230V	1				X
4	EAW0277G14A	3PH 200V 2SPEED MOTOR CABLE	CABLE MOTEUR 3F 200V 2VIT.	CABLE MOTOR 3F 200V 2VELOC.	1				X
4	EAW0277G16A	3PH 230V 2SPEED MOTOR CABLE	CABLE MOTEUR 3F 230V 2VIT.	CABLE MOTOR 3F 230V 2VELOC.	1				X
4	EAW0277G18A	3PH 400V 2SPEED MOTOR CABLE	CABLE MOTEUR 3F 400V 2VIT.	CABLE MOTOR 3F 400V 2VELOC.	1				X
4	EAW0277G20A	3PH 230V MOTOR CABLE	CABLE MOTEUR 3F 230V	CABLE MOTOR 3F 230V	1				X
4	EAW0277G22A	3PH 400V MOTOR CABLE	GRUPE MOTEUR CABLE 3F 400V	GRUPO MOTOR CABLE 3F 400V	1				X
5	EAK0330G25A	MOTOR Dp70 PULLEY KIT	POULIE DOUBLE	POLEA DOBLE	1				X
6	EAS2131G28A	MOTOR SUPPORT	SUPPORT MOTEUR	SOPORTE MOTOR	1				X
6	EAS2109G06A	MOTOR SUPPORT	SUPPORT MOTEUR	SOPORTE MOTOR	1				X
7	EAK0341G45A	PULLEY KIT	KIT DE POULIE	KIT DE POLEA	1	Dp 160mm			X
7	EAK0341G09A	PULLEY KIT	KIT DE POULIE	KIT DE POLEA	1	Dp 130mm			X
10	1-1572	KEY-10x8x45	LANGUETTE 10X8X45 UNI 6604-69	LANGÜETA 10X8X45 UNI 6604-69	1				X
11	EAC0078G58A	V BELT, A-26	COURROIE A-26	CORREA A-26	1				X
11	EAC0100G52A	BELT A29	COURROIE A29	CORREA A29	1				X
11	EAC0099G95A	BELT, A27	COURROIE A27	CORREA A27	1				X
12	EAK0279G63A	SCREWS KIT FOR 1PHASE MOTOR	KIT VIS MOTEUR MONOPHASE	KIT TORNILLOS MOTOR MONOFÁSICO	1				X
12	EAK0279G64A	SCREWS KIT FOR MOTOR	KIT VIS MOTEUR	KIT TORNILLOS MOTOR	1				X
13	EAK0279G65A	SCREWS KIT FOR GEARBOX	KIT VIS REDUCTEUR	KIT TORNILLOS REDUCTOR	1				X
14	EAK0279G66A	BELT TIGHTENER KIT	KIT TENDEUR-COURROIE	KIT TENSOR DE CORREA	1				X
15	EAK0279G67A	ANTIROTATION KIT	KIT ANTIROTATION	KIT ANTIRROTACIÓN	1				X
16	EAS2140G91A	SUPPORT FOR REV. MANIFOLD HOSES	SOUTIEN TUYAUX RENOUEVELABLE MANIFOLD	APOYO A GIRATORIO MANGUERAS COLECTOR	1	Alu.Rev.Dist.			X



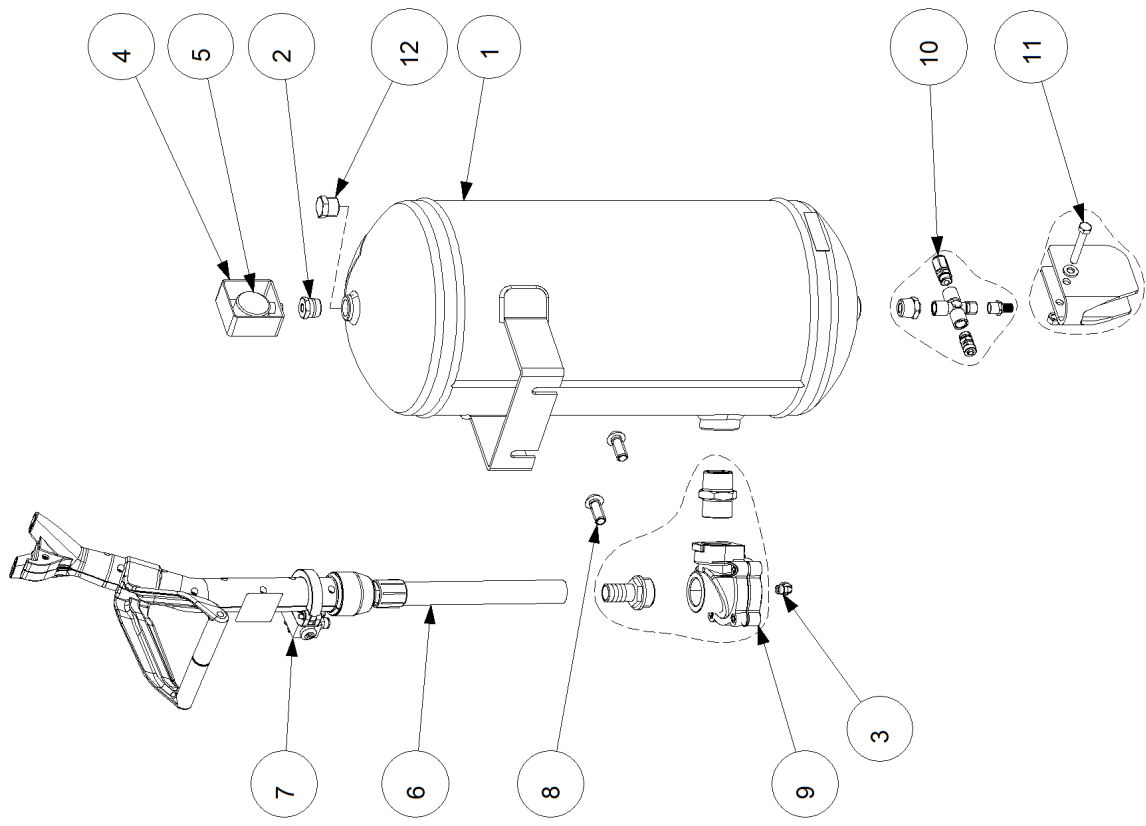
POSICION	DESIGNATION	DESIGNATION	DESIGNATION	N	Note	A	B	C
1	EAA0370G78A	FOOT PEDAL ASM 4P 1PH 230V	GROUPE JEU DE 4P 1PH 230V	1	UK			X
1	EAA0370G79A	FOOT PEDAL ASM 4P 3PH 230V	GROUPE JEU DE 4P 3PH 230V	1	CE			X
1	EAA0370G80A	FOOT PEDAL ASM 4P 3PH 230V	GROUPE JEU DE 4P 3PH 230V	1	AUS			X
1	EAA0370G81A	FOOT PEDAL ASM 4 PEDALS 3PH 400V	GROUPE JEU DE 4P 3PH 400V	1				X
1	EAA0370G82A	FOOT PEDAL ASM 4P 3PH 400V	GROUPE JEU DE 4P 3PH 400V	1	CE			X
1	EAA0370G83A	FOOT PEDAL ASM 4P 3PH 400V	GROUPE JEU DE 4P 3PH 400V	1	AUS			X
1	EAA0370G84A	FOOT PEDAL ASM 4P 1PH 115V	GROUPE JEU DE 4P 1PH 115V	1	US			X
1	EAA0370G85A	FOOT PEDAL ASM 4P 1PH 230V	GROUPE JEU DE 4P 1PH 230V	1				X
1	EAA0370G86A	FOOT PEDAL ASM 4 PEDALS 3PH 230V	GROUPE JEU DE 4P 3PH 230V	1				X
2	EAM0068G80A	PEDAL ASM SUPPORT - MACHINED	SUPPORT JEU PÉDALES - USINÉ	1				X
3	EAM0068G10A	SHAFT-HINGE, PEDAL	PIVOT PEDALES	1				X
4	EAM0070G32A	COMMUTATOR SPRING GUIDE	GUIDE RESSORT INVERSEUR	1				X
5	EAM0048G78A	SPRING, PEDAL SWITCH	RESSORT, PEDAL INTERRUPTEUR	1				X
6	EAA0356G94A	VALVE BEAD-BREAKER	VALVE DÉTALONNEUR	2				X
7	EAM0068G95A	STANDARD PEDAL - MACHINED	PEDAL STD.	3				X
8	EAM0147G64A	SPRING RECALL PEDALS	RESSORT RETOUR PEDALES	3				X
9	EAM0070G46A	SPACER L=11 mm	ENTRETOISE L=11 mm	2				X
10	EAM0048G79A	BUSHING, CENTERING- SPRING	COQUILLE SIEGE RESSORT	1				X
11	EAC0096G11A	SPACER-PEDAL	ENTRETOISE PÉDALES ST.1113/2	1				X
12	EAA0356G92A	RIGHT SWITCH FOOT PEDAL	PEDALE INTERRUPTEUR DROIT	1				X
13	EAC0096G29A	CAM FOR PEDAL B	CAME PEDALE	1				X
14	EAS2115G09A	PROTECTION SHEET FOR CAM	TOLE PROTECTION CAME	1				X
15	EAS2111G73A	ROD POSITIONER PEDAL	BIELLE POSITIONNEMENT PEDALE	1				X
16	EAA0356G96A	TURNTABLE/ TILTING VALVE	SOUPAPE POUR TUBES D.4X6	1				X
17	EAA0394G63A	2S SWITCH SUPPORT ASM	SUPPORT INTERRUPTEUR 2S D	1				X
18	EAA0347G61A	ROD, REGISTER-REVERSING GEAR	BIELLE COMMANDE INVERSEUR	1				X
19	EAK0279G40A	NUTS/BOLTS FOR SWITCH	KIT VIS FIXATION INVERSEUR	1				X
20	EAA0394G30A	3 PH 230V SWITCH-CABLE ASSY W/O PLUG	GR. CABLE-INVERSEUR 3F 230V SANS BROCHE	1				X
20	EAA0394G31A	3 PHASE 230V SWITCH-CABLE ASSY WITH PLUG	GR. CABLE-INVERSEUR TRIPHASE 230V AVEC SP	1				X
20	EAA0394G32A	3 PH 230V SWITCH-CABLE ASSY PLUG AUS	GR. CABLE-INVERSEUR 3F 230V BROCHE AUS	1	AUS			X
20	EAA0394G33A	ASSY REVERSING SWITCH 3 PH 400V	GROUPE INVERSEUR 3PH 400V	1				X
20	EAA0394G34A	ASSY REV. SWITCH 400V 3PH CE PLUG	GROUPE INVERSEUR 3PH 400V	1	CE			X
20	EAA0394G35A	ASSY REV. SWITCH 3PH 400V AUS PLUG	GROUPE INVERSEUR 3PH 400V	1	AUS			X
20	EAA0394G36A	1 PHASE SWITCH-CABLE ASSY. DX US	GR. CABLE-INVERSEUR MONOPHASE US DROIT	1				X
20	EAA0394G38A	1 PHASE SWITCH-CABLE ASSY WITHOUT PLUG	GR. CABLE-INVERSEUR MONOPH. SANS BROCHE	1				X
20	EAA0394G39A	1 PH 230V SWITCH-CABLE ASSY UK PLUG	GR. CABLE-INVERSEUR MONOPH. BROCHE UK	1	UK			X
21	EAA0364G09A	HOSES, KIT FOOT PEDAL ASM 4P - STD	KIT TUBES PEDALIER 4P - STD	1				X
22	EAK0279G39A	NUTS/SCREWS FOR FOOT PEDAL ASM	KIT VIS JEU PÉDALES	1				X



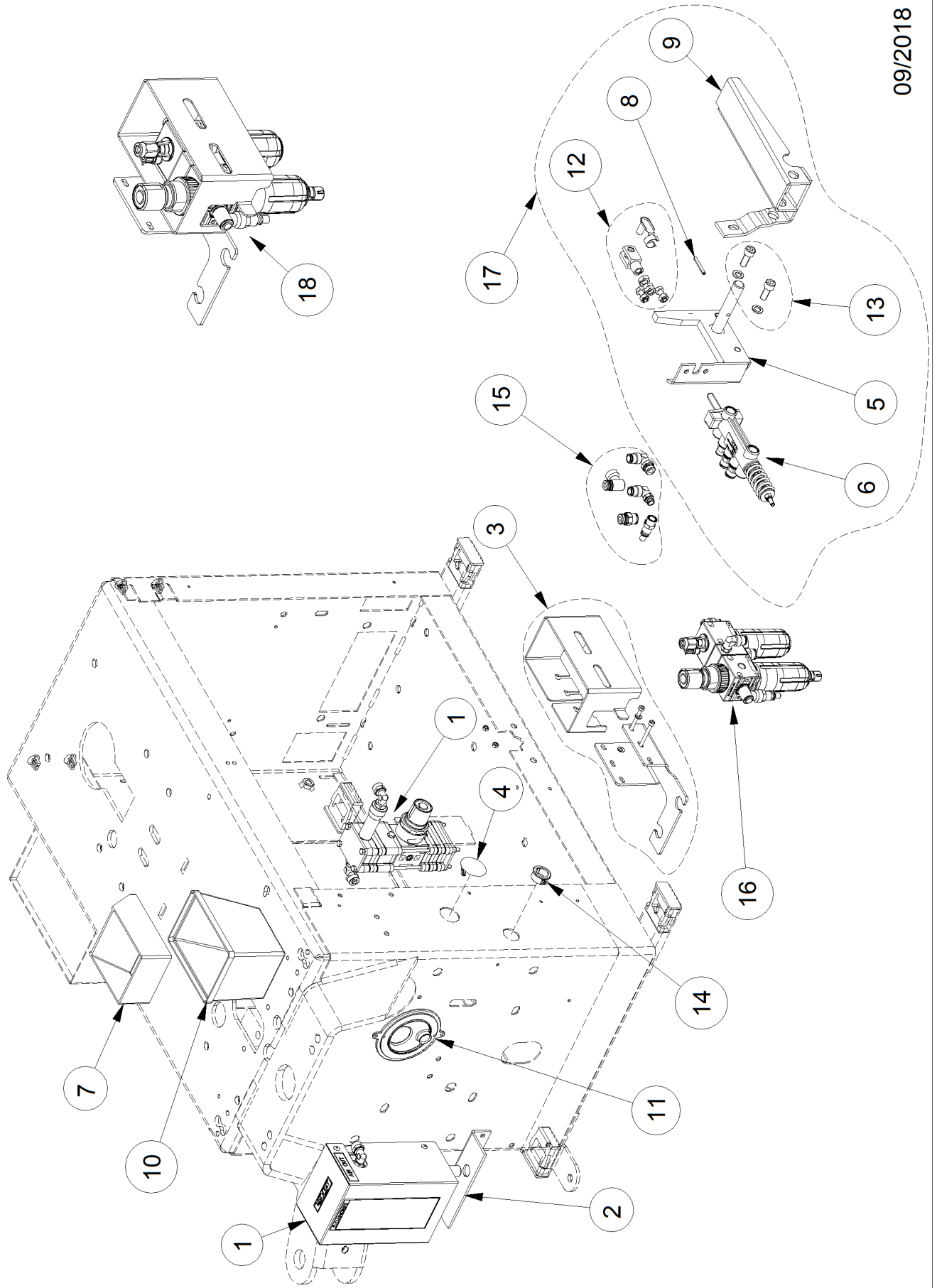


POS.	CODE	DESIGNATION	DESIGNATION	DESIGNACION	N	Note	Note	A	B	C
1	EAA0377G31A	TC 22" BEAD BREAKER CYLINDER	VERIN DETALONNEUR TC 22"	CILINDRO DESTALONADOR TC 22"	1			X		
2	1-11379A	FITTING-ST 6X8 1/8	RACCORD 6x8 1/8	EMPALME 6X8 1/8	1					X
3	EAM0085G80A	ROD BEAD-BREAKER CYLINDER	TIGE CYLINDRE DETALONNEUR	ASTA RULLO DESTALONADOR	1		DIN 137			X
4	1-20179A	FITTING "L" 6X8 CAMOZZI 6522-8-1/4"	RACCORD EN "L" 6X8 CAMOZZI 6522-8-1/4"	CONEXION "L" 6X8 CAMOZZI 6522-8-1/4"	1					X
5	EAK0306G16A	SCREWS AND BOLTS FOR BEAD BREAKER CYL. F	KIT VIS FLASQUE VERIN DETAL.	KIT TORNILLOS BRIDA CIL. DESTAL.	1					X
6	EAK0306G19A	SEALS FOR BEAD BREAKER CYL.	KIT GARNITURES VERIN DETAL.	KIT JUNTAS CIL. DESTAL.	1					X
7	EAA0338G44A	BLADE ASSY+BEAD BREAKER ARM	GROUPE PALETTE+BRAS DETALONNEUR	GRUPO PALETA+BRAZO DESTALONADOR	1					X
8	EAS2108G27A	ARM SUPPORT, BEAD-BREAKER	SUPPORT BRAS DETALONNEUR	SOPORTE BRAZO DESTALONADORA	1					X
9	EAA0328G72A	PIN - LOCK	GOUPILE DE REGLAGE	ESPINA DE REGLAJE	1					X
10	EAS2087G90A	EXTENSION-ARM,B/BREAKER	RALLONGE BRAS DETALONNEUR	EXTENSION-BRAZO DESTALONADOR	1					X
11	1-5246	WASHER 14MM	RONDELLE d.14	ARGOLLA ELAST.OND.TIPO B D.14	2					X
12	EAS2087G93A	BLADE, BEADBREAKER	PALETTE DETALONNEUR ZINGUE BLANC	PALETA DESTALONADOR	1					X
13	EAC0078G04A	HANDLE-RUBBER	POIGNEE POUR LEVIER	MANIJA PARA PALANCA	1					X
14	1-22609	SCREW TCEI M14X110 8.8	VIS CHC M14X110 8.8	TORNILLO TCEI M14X110 8.8	1					X
15	1-10433	NUT-S.LOCK,LOW- M14	ECROU AUTOBLOCANT M 14	BULON M14 AUTOBLBAJO	1					X
16	EAK0306G20A	FULCRUM KIT FOR BEAD BREAKER ARM	KIT PIVOT BRAS DETALONNEUR	KIT PERNO BRAZO DESTALONADOR	1					X
17	EAK0306G23A	FIXING KIT FOR BEAD BREAKER ARM	KIT FIXATION BRAS DETALONNEUR	KIT FIJACIÓN BRAZO DESTALONADOR	1					X
18	EAM0067G69A	SPRING-RECALL ARM, BEAD BREAKER	RESSORT RAPPEL BRAS DETALONNEUR	RESORTE REGRESO BRAZO DESTAL.	1					X
19	EAM0067G34A	SCREW/FITTING- CYLINDER B/BREAK	FIS FIXAGE VERIN DETALONNEUR	TORNILLO FIJACION CIL.DESTALONA	1					X
20	EAK0306G21A	END STROKE KIT FOR BEAD BREAKER ARM	KIT FIN DE COURSE POUR DETALONNEUR	KIT FINAL DE CARRERA DESTALONADORA	1					X

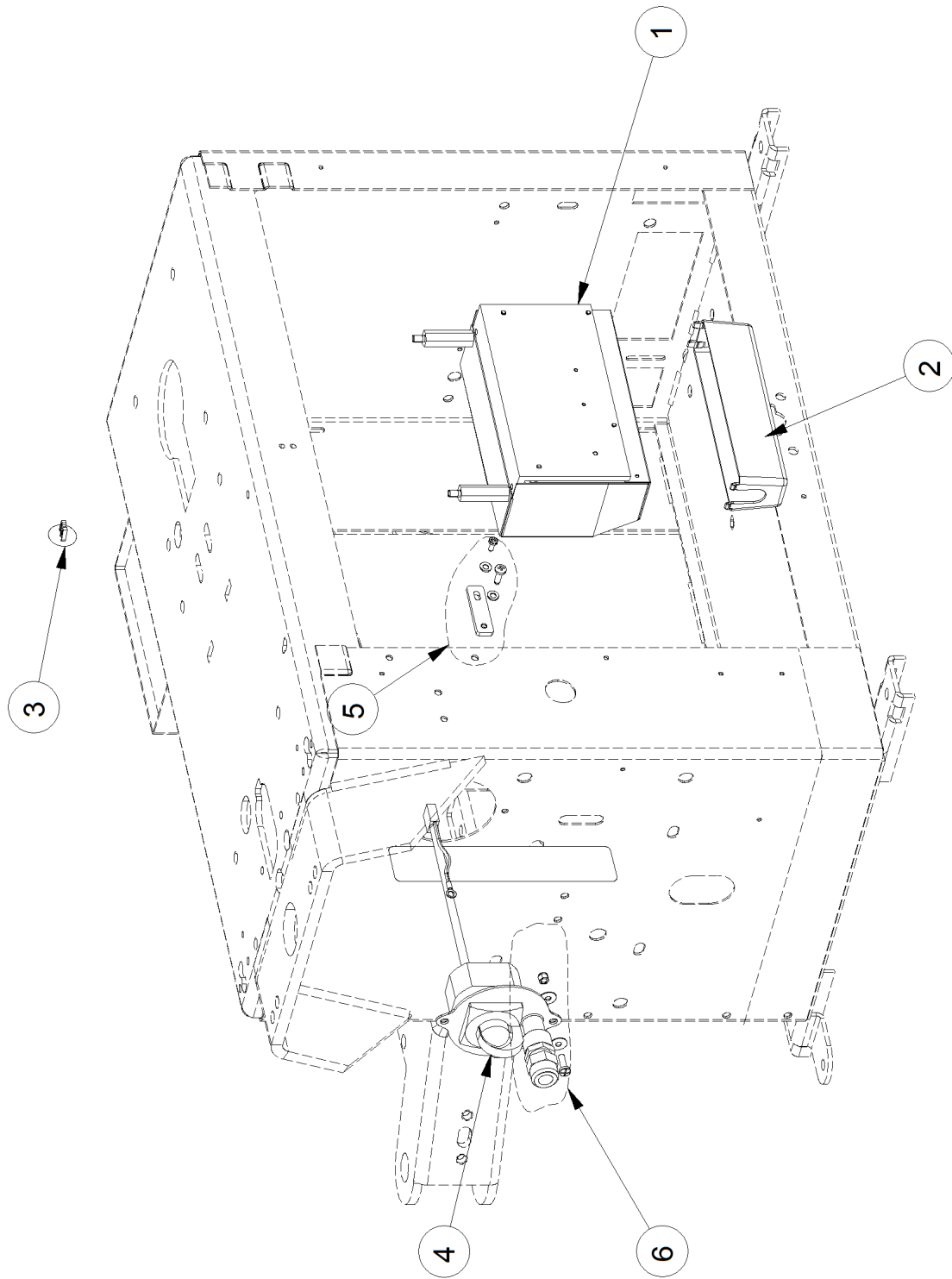




POS.	CODE	DESIGNATION	DÉSIGNATION	DESIGNACIÓN	N.	Note	Note	A	B	C
1	EAS2089G67A	TANK - INFLATOR	RESERVOIR POMPE LAQUE NOIR	TANQUE INFLATOR TUBELESS	1					X
2	1-12579A	STRAIGHT, FITTING MF 1/2"-1/8"	REDUCTION MF 1/2"-1/8" CYLINDRIQUE	DA RECUPERER	1					X
3	1-17179A	ELBOW FITTING "L" 4X6 1/4" (B)	RACCORD A VISSER EN "L" 4X6 1/4"	RACOR CON TORNILLO EN "L" 4X6 1/4"	1					X
4	EAM0074G01A	PROTECTION, MANOMETER	PROTECTION, MANOMETRE	PROTECCION MANOMETRO	1					X
5	8-06120A	MANOMETER-RADIAL 0-16 D.40	MANOMETRE RADIAL 0-16 D.40	MANOMETRO RADIAL 0-16BAR D.40	1					X
6	EAA0363G53A	GT ASSEMBLY	GROUPE GT	GRUPO GT	1					X
7	EAA0362G84A	BEAD INFLATOR CONTROL VALVE	VALVE ACTIONNEMENT DETALONNEUR	VALVULA ACCIONAMIENTO DESTALONADORA	1					X
8	1-58409A	SCREW M12x30 ISO 7380	VIS M12x30 ISO 7380	TORNILLO M12x30 ISO 7380	1					X
9	EAK0306G44A	ASSY, VALVE FOR GT NOZZLE	KIT SOUPAPE POUR BUSE GT	KIT VÁLVULA PARA BOQUILLA GT	1					X
10	EAK0306G46A	FITTINGS FOR GT NOZZLE	KIT RACCORDS UGELLO GT	KIT RACORES BOQUILLA GT	2					X
11	EAK0306G45A	FITTINGS PROTECTION FOR GT	KIT PROTECTION RACCORDS GT	KIT PROTECCIÓN RACORES GT	1					X
12	1-09276A	1/2" CAP	BOUCHON 1/2"	TAPÓN 1/2"	1	JPN version				X



POS.	CODE	DESIGNATION	DÉSIGNATION	DESIGNACIÓN	N.	Note	Note	A	B	C
1	EAA0350G78A	PRESSURE LIMITER VALVE	VANNE REDUCTEUR DE PRESSION	REGULADOR DE PRESION	1	external		X		X
1	EAA0384G22A	VALVE, AIR CONTROL	CLAPET REDUCTEUR DE PRESSION	VALVOLA LIMITATRICE PRESSIONE	1	internal			X	X
2	EAS2090G13A	BRACKET-VALVE, INFLATOR	SIEGE VANNE GONFLEUR	ESTRIBO VALVULA INFLADOR	1					X
3	EAK0330G49A	NA LUB. FILTER FIXING KIT	KIT DE FIXATION FILTRE	KIT DE FIJACIÓN FILTRO	1					X
4	1-08676A	CAP, CLOSING	COUVERCLE FERMETURE	TAPÓN DE CIERRE	1					X
5	EAS2134G52A	GT PEDAL SUPPORT	SUPPORT PEDALE	SOPORTE PEDAL	1					X
6	EAA0329G75A	VALVE, BEAD INFLATING	SOUPAPE CONTROLE GONFLE PNEU S/CHAME	VALVULA MANDO INFLACION NEUM.S/CAMA	1				X	X
7	1-31581A	PLUG-VALVE, HOUSING	BAC SOUPE	TAPA PORTAVÁLVULAS	2					X
8	1-6652	PIN - STRAIGHT SLOTTED 4X30	BROCHE ELASTIQUE	PASADOR ELÁSTICA	1					X
9	EAS2068G87A	INFLATOR PEDAL CATAPHOR. BLK	PEDALE POMPE LAQUAGE HEPOXY NOIF	PEDAL HINCHADOR TUBEL.NEGRO	1					X
10	8-03129A	BOX-GREASE	BAC GRAISSE	CONTENEDOR PARA GRASA	2					X
11	EAC0100G22A	CABLE PROTECTION	PROTECTION CÂBLES	PROTECCIÓN CABLES	1					X
12	EAK0306G32A	SCREWS AND BOLTS FOR GT VALVE	KIT VIS SOUPE GT	KIT TORNILLOS VÁLVULA GT	1					X
13	EAK0306G33A	SCREWS AND BOLTS FOR GT PEDAL	KIT VIS PEDALE GT	KIT TORNILLOS PEDAL GT	1					X
14	8-11616A	SNAP BUSHING Øe 22.2mm - Øi 17.5mmr	DOUILLE Øe 22.2mm - Øi 17.5mm	CASQUILLO	1					X
15	EAK0315G99A	FITTINGS KIT FOR FILTER	KIT RACCORDS POUR FILTRE	KIT RACORES PARA FILTRO	1					X
16	EAA0439G90A	FILTER-PRESS.RED.-LUBRIC.ASSY+AIR IN I	GRUPE FILTRE RED. + LUBRIF AIR GAUCHI	GRUPO FILTRO RED. + LUBRIC. AIRE IZQ.	1					X
17	EAA0384G14A	GROUP, BEAD INFLATING PEDAL	GRUPE PEDALE POMPE	GRUPO PEDAL INFLADOR	1					X
18	EAA0489G30A	LUBRICATOR FILTER GROUP	GRUPE FILTRE LUBRIFICATEUR	GRUPO FILTRO LUBRIFICADOR NA	1					X



POS.	CODE	DESIGNATION	DESIGNATION	DESIGNACIÓN	N.	Note	A	B	C
1	EAK0341G07A	INVERTER GROUP ENHANCED POTENTIOMETER	GRUPE ONDULEUR POTENTIOMÈTRE ÉVOLUÉ	GRUPO INVERTER POTENCIÓMETRO EVOLUIDO	1	14 rpm-new version			X
1	EAK0341G06A	INVERTER GROUP - 230V	GRUPE ONDULEUR DEMONTE-PNEUS - 230V	GRUPO INVERTER - 230V	1	18 rpm-new version			X
2	EAC0103G88A	COVER FOR INVERTER BOX	COUVERCLE BOITE CONVERTISSEUR	TAMPA CAIXA INVERTER	1				X
3	1-09076A	CAP CLOSING	COUVERCLE FERMETURE	TAMPA DE FECHAMENTO	1				X
4	EA0481G43A	ROTARY CAM SWITCH GROUP - UL	GRUPE SECTIONNEUR	GRUPO SECCIONADOR	1				X
5	EAK0317G29A	KIT, BRACKET FOR INVERTER	KIT FIXATION RENVOI POUR ONDULEUR	KIT FIXAÇÃO REENVIO PARA INVERTER	1				X
6	EAK0317G30A	KIT, FIXING FOR SWITCH	KIT FIXATION SECTIONNEUR	KIT FIXAÇÃO SECCIONADOR	1				X

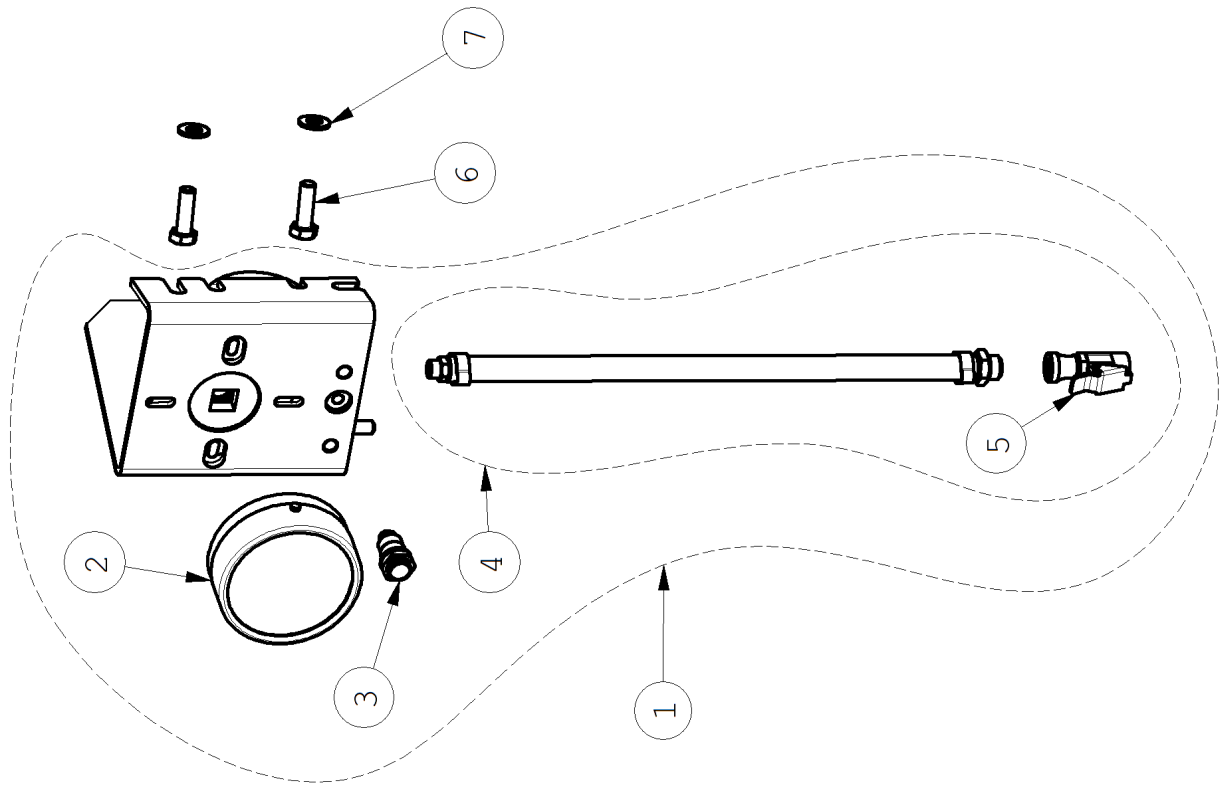
EAZ0103G92A.B



2016/08



POS.	CODE	DESIGNATION	DÉSIGNATION	DESIGNATION	N.	Note	Note	A	B	C
1	EAA0377G84A	4P CONTROL PEDAL WITH POTENTIOMETER	PEDALIER 4P AVEC POTENTIOMETRE	PEDALERA 4P CON POTENCIÓMETRO	1			X		
2	EAM0068G80A	PEDAL ASM SUPPORT - MACHINED	SUPPORT JEU PÉDALES - USINÉ	SOPORTE JUEGO DE PEDALES - MECAN.	1				X	
3	EAM0068G10A	SHAFT-HINGE, PEDAL	PIVOT PÉDALES	EJE PEDALES	1				X	
4	EAM0048G79A	BUSHING, CENTERING- SPRING	COQUILLE SIEGE RESSORT	CASQUILLO CENTRADO MUELLE	2				X	
5	EAM0070G32A	COMMUTATOR SPRING GUIDE	GUIDE RESSORT INVERSEUR	GUJ MUELLE INVERTIDOR	1				X	
6	EAM0075G56A	SPRING, PEDAL SWITCH 2SPEED	RESSORT INTERRUPTEUR PÉDALE 2SP	MUELLE PEDAL INTERRUPTOR 2SP	1				X	
7	EAA0356G92A	RIGHT SWITCH FOOT PEDAL	PÉDALE INTERRUPTEUR DROIT	PEDAL INTERRUPTOR DER.	1				X	
8	EAA0356G94A	VALVE BEAD-BREAKER	VALVE DÉTALONNEUR	VÁLVULA DESTALONADOR	2				X	
9	EAM0068G95A	STANDARD PEDAL - MACHINED	PEDAL STD.	PEDAL STD	3				X	
10	EAM0147G64A	SPRING RECALL PEDALS	RESSORT RETOUR PÉDALES	MUELLE DE RETORNO PEDALES	3				X	
11	EAC0103G56A	CAM FOR PEDAL B	CAME PEDALE ST.2072 B	LEVA PEDAL EST.2072 B	1				X	
12	EAS2115G09A	PROTECTION SHEET FOR CAM	TOLE PROTECTION CAME	CHAPA PROTECCIÓN EXCÉNTRICO	1				X	
13	EAS2111G73A	ROD POSITIONNER PEDAL	BIELLE POSITIONNEMENT PEDALE	BIELA DE POSICIONAMIENTO PEDAL	2				X	
14	EAM0070G46A	SPACER L=11 mm	ENTRETOISE L=11 mm	DISTANCIADOR L=11 mm	2				X	
15	EAC0096G11A	SPACER-PEDAL	ENTRETOISE PÉDALES	DISTANCIADOR PEDALES ESTÁNDAR	1				X	
16	EAA0356G96A	TURNTABLE/ TILTING VALVE	SOUPEPE POUR TUBES D.4X6	VÁLVULA PARA TUBOS D.4X6	1				X	
17	EAA0364G09A	HOSES KIT FOOT PEDAL ASM 4P - STD	KIT TUBES PEDALIER 4P - STD	KIT TUBOS PEDAL 4P - STD	1				X	
18	EAK0279G96A	CONTROL PEDALS MOUNTING KIT	KIT MONTAGE PEDALIER	KIT MONTAJE PEDALERA	1				X	
19	EAK0279G39A	NUTS/SCREWS FOR FOOT PEDAL ASM	KIT VIS JEU PÉDALES	KIT TORNILLOS JUEGO DE PEDALES	1				X	
20	EAS2132G66A	POTENTIOMETER KIT	KIT POTENTIOMETRE	KIT POTENCIÓMETRO	1				X	
21	EAK0330G64A	PEDAL CABLE WITH POTENTIOMETER	CABLE PEDALIER AVEC POTENTIOMETRE	CABLE PEDALERA C/POTENCIÓMETRO	1				X	
22	EAS2140G74A	END STROKE FOR PEDAL	FIN DE COURSE PEDAL	FINAL CARRERA PEDAL	1				X	
23	EAW0286G08A	CABLE FOR CTS POTENTIOMETER	CABLE POUR POTENTIOMETRE CTS	CABLE POTENCIÓMETRO CTS	1				X	



POS.	CODE	DESIGNATION	DÉSIGNATION	DESIGNACIÓN	N.	Note	Note	A	B	C
1	AAA0502G31A	ASSY.GAUGE-PRESSURE PSI / Kpa D.80 - HD	GRUPE MANOMETRE PSI/Kpa D.80 - HD	GRUPO MANOMETRO PSI/Kpa D.80 - HD	1					X
2	AAA0332G41A	GAUGE-AIR PSI / Kpa	MANOMETRE PSI/Kpa	MANÓMETRO PSI/Kpa	1	(PSI/Kpa)				X
3	AAA0328G57A	BLEEDER VALVE	VALVE DEGONFLAGE	VALVULA DESENFILADOR	1					X
4	AAA0481G30A	HOSE INFLATION WITH CHUCK AND FITTINGS	TUYAU PISTOLET AVEC RACCORDS	TUBO PISTOLETA INFLAJE + EMPALM	1					X
5	1-28579A	INFLATING STRAIGHT CLIP CHUCK - 1/4"	PINCE GONFLAGE	ALICATE PARA INFLAJE	1	HD				X
6	1-32701A1	SCREW M8X25	VIS H	TORNILLO TE	2					X
7	1-17741	WASHER d.8	RONDELLE P.d.8 ZINC.JAUNE	ARANDELA P.D.8	2					X

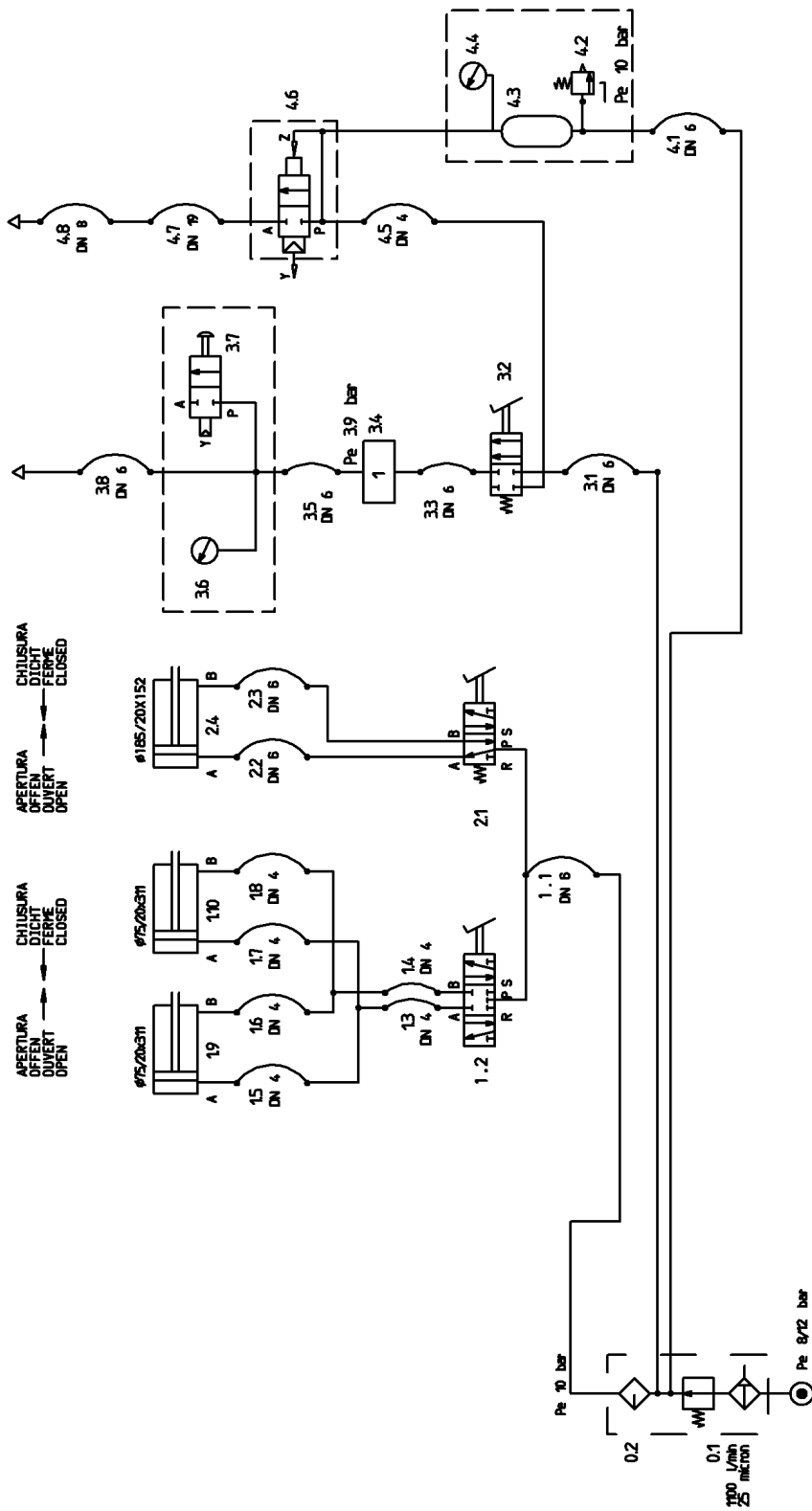
0  
 FILTRO-LUBRIFICATORE  
 FILTER-SCHMERZVORRICHTUNG  
 FILTRE-LUBRIFIANT  
 FILTER-LUBRICATOR

1  
 BLOCCAGE, CERCH  
 BLOCKING, FELDEN  
 BLOCAJE, JANITES  
 LOCKING, RWS Z 11

2  
 STALLONATORE  
 ABERTEK-SCHAUFEL  
 DETAILONNEUR  
 BEAD-BREAKER Z 2

3  
 PNZA GONFIAGGIO  
 FULLPISTOLE  
 PISTOLET DE GONFLAGE  
 THE GAUGE

4  
 GONFIATUBLESS  
 SCHLAUCHLOS-FULLVORRICHTUNG  
 GONFLAGE TUBELLESS  
 BEAD-SEATER

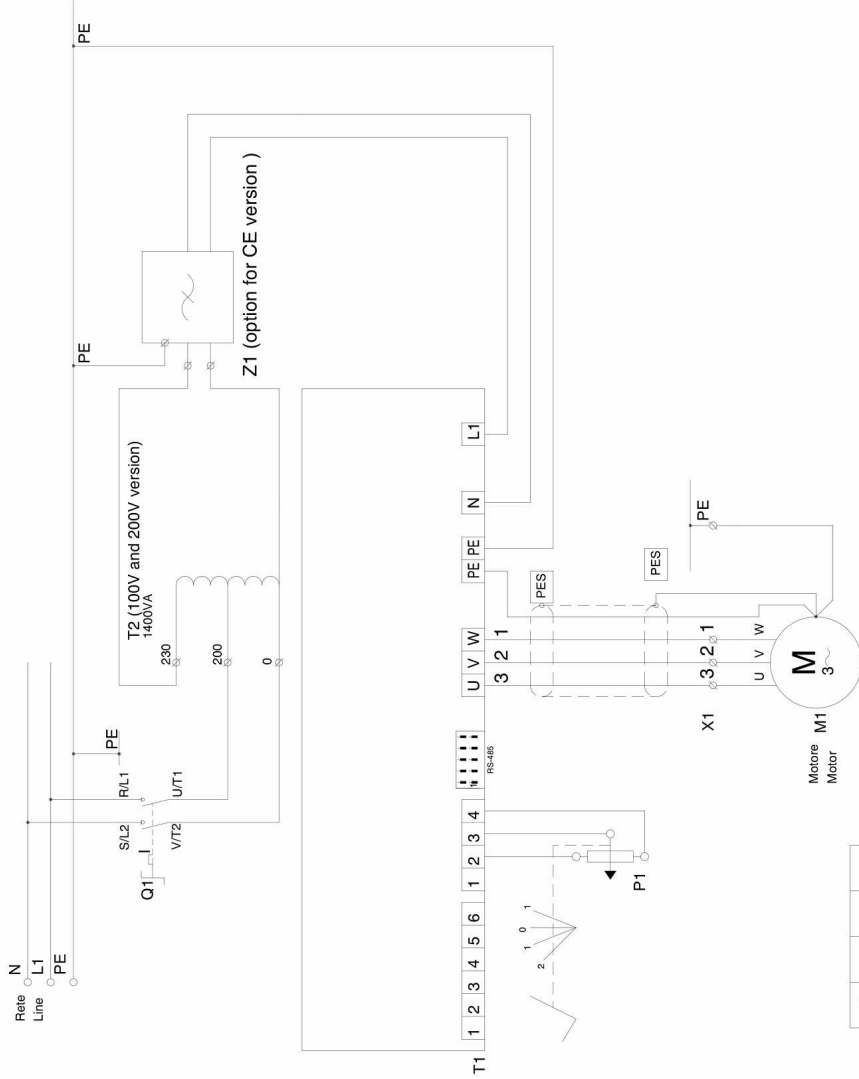


1) VALVOLA LIMITATRICE E DI CONTROLLO DELLA PRESSIONE DI GONFIAGGIO.  
 1) INFLATING PRESSURE LIMITING AND REGISTER VALVE.

Nr.	MODIFICA	AENDERING	MODIFICATION	CHANGE	DATA	DATE	NOVE	NAME
					VISTO	INVENTAR	NUMER	TESTED
					BY	TESTED	BY	TESTED
					SCHEMA PNEUMATICO SYSTEM 2	SCHEMA PNEUMATISCHEN SYSTEM 2	SCHEMA PNEUMATISCHEN SYSTEM 2	SCHEMA PNEUMATISCHEN SYSTEM 2
					PNEUMATIC SCHEME SYSTEM 2	PNEUMATIC SCHEME SYSTEM 2	PNEUMATIC SCHEME SYSTEM 2	PNEUMATIC SCHEME SYSTEM 2
					CLIENTE BESTELLER	CLIENT	CUSTOMER	
					FIRMA GEZ.	SIGNATURE	ZANNI A.	
					DATA DATUM	DATE	2003/07/07	
					COSTRUITO IN	FABRIQUE	IN	MADE
					ITALY			
					TIPO	TYP	MODEL	
					EHP SYSTEM 2			
					GRUPPO	GRUPE	GROUP	
					1			
					Nr. PAGINE	V. BLATT	Nr. DE PAGES	
					2			
					GRUPPO	GRUPE	GROUP	
					1			
					NUM. ORDINE	AUTETRAG-Nr.	P. D. NUMBER	
					CODICE Nr.	ZEICHNINGS Nr.		
					824			0029125



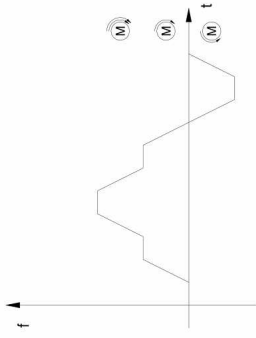
REV	CHANGES - MODIFICHE	DATE	NAME
B	Added motor wires numbers	2013.02.12	N.Castagnoli
A	Production release	2013.01.07	N.Castagnoli



(M)	(M)	(M)	(M)
2	1	0	1

Potentiometer table  
Tabella potenziometro

- Motore
- Interruttore principale
- Potenziometro
- Inverter
- Autotrasformatore
- Morsetiera motore
- Filtro antisturbo



- M1 Motore
- Q1 Main switch
- P1 Potentiometer
- T1 Inverter
- T2 Transformer
- X1 Motor terminal block
- Z1 Suppressor

DENOMINAZIONE: **SCHEMA ELETTRICO** FAMIGLIA: 824 COD. GS: EEW708CWD

THE DATA, DRAWINGS, AND INFORMATION CONTAINED IN THIS DOCUMENT IS CONFIDENTIAL AND THE SOLE PROPERTY OF SNAP-ON. AND MAY NOT BE REPRODUCED, USED, OR DISCLOSED WITHOUT WRITTEN PERMISSION OF AN OFFICER OF SNAP-ON.

UNLESS OTHERWISE SPECIFIED DIMENSIONS ARE IN MILLIMETERS GENERAL TOLERANCES

OVER 0.5 TO 6.0 ±0.1  
OVER 6.0 TO 30 ±0.2  
OVER 30 TO 120 ±0.3  
OVER 120 TO UP ±0.5  
ANGULAR ±1°  
HOLES ±0.1  
HOLE TAP ±0.5  
SURFACE: ISO 1302

MATERIAL	FINISH	PROJ NO	TC 22
		DR N. Castagnoli	2013.01.07
		CK	
A3 APP	QUALITY DOC	RELEASE	REV B
DWG	SUPERCEDES	EEWH708CWD	
FIRST ANGLE PROJECTION			SHEET 1 OF 1

**Snap-on**  
CORREGGIO, ITALY  
ELECTRIC DIAGRAM

RELEASE REV B  
EEWH708CWD  
SHEET 1 OF 1

REV	PCN HISTORY
B	13G0060
A	13G0010

THE DATA, DRAWINGS, AND INFORMATION CONTAINED IN THIS DOCUMENT IS CONFIDENTIAL AND THE SOLE PROPERTY OF SNAP-ON, AND MAY NOT BE REPRODUCED, USED, OR DISCLOSED WITHOUT WRITTEN PERMISSION OF AN OFFICER OF SNAP-ON.

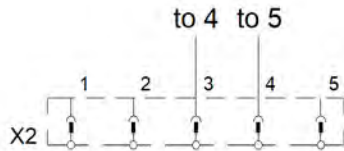
COPYRIGHT  
1999

EEWH306AWD  
SHEET 1 OF 1

REV	CHANGES - MODIFICHE	DATE	NAME
E	Fixed motor wiring connections	2017.10.18	N. Castagnoli
D	Fixed switch connections	2012.03.30	N. Castagnoli
C	Added M.L. connector	2011.06.07	N. Castagnoli
B	Added Leeson diagram	2001-03-12	A. Pratzzoli

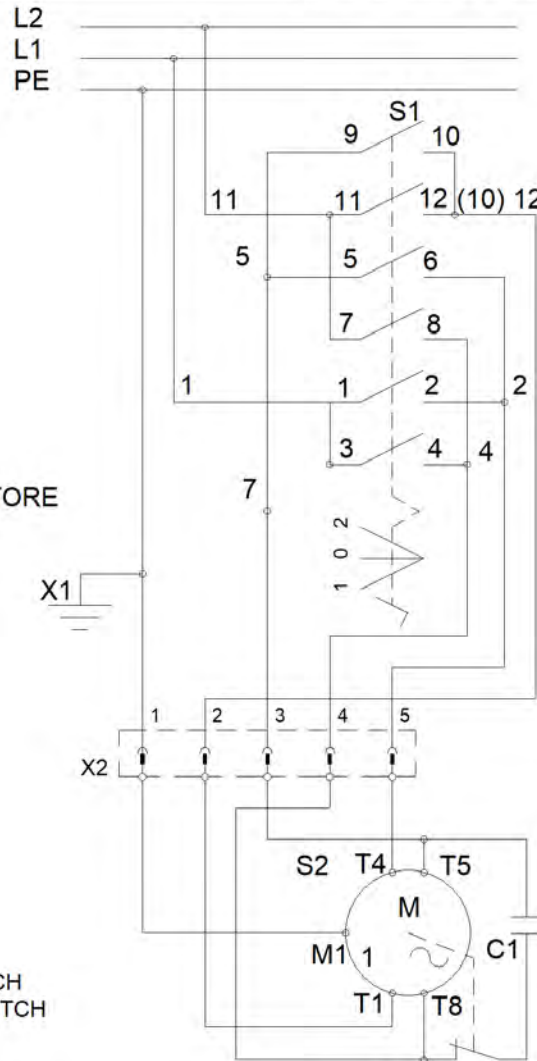


SCHEMA COLLEGAMENTO INVERTITORE  
INVERTER CONNECTION DIAGRAM



SCHEMA PEDALIERA SINISTRA  
LEFT PEDALSWITCH DIAGRAM

- C1 CONDENSATORE CAPACITOR
- S2 INT. CENTRIFUGO SPINNING SWITCH
- S1 INVERTITORE REVERSING SWITCH
- M1 MOTORE MOTOR
- X1 CARCASSA FRAME
- X2 CONNETTORE CONNECTOR



LEESON

DENOMINAZIONE: SCHEMA ELETTRICO MOTORE MONOFASE AMERICANO FAMIGLIA: 824 COD. GS: 0014449

	UNLESS OTHERWISE SPECIFIED DIMENSIONS ARE IN MILLIMETERS GENERAL TOLERANCES OVER 0.5 TO 6.0 ± 0.1 OVER 6.0 TO 30 ± 0.2 OVER 30 TO 120 ± 0.3 OVER 120 TO UP ± 0.5 ANGULAR ± 1° HOLES ± 0.1 SHEET METAL ± 0.5 SURFACE: ISO 1302	MATERIAL		
		FINISH		
E	17G0415	PROJ NO 3400	ONE PHASE	
D	12G0130	DR FUSARI 1999-05-13	AMERICAN MOTOR	
C	11G0146	CK	ELECTRIC DIAGRAM	
B		A4 APP	RELEASE	REV E
A		DWG QUALITY DOC	EEWH306AWD	
REV PCN HISTORY	FIRST ANGLE PROJECTION	DWG SUPERCEDES	SHEET 1 OF 1	







**Notice:** The information contained in this document is subject to change without notice. **John Bean** makes no warranty with regard to this material. **John Bean** shall not be liable for errors contained herein or for incidental consequential damages in connection with furnishings, performance, or use of this material.

This document contains proprietary information which is protected by copyright and patents. All rights are reserved. No part of this document may be photocopied, reproduced, or translated without prior written consent of **John Bean**.

**John Bean** is a registered trademark.

copyright 2019