

JohnBean

T5745T

PARTS MANUAL



EEWH554B

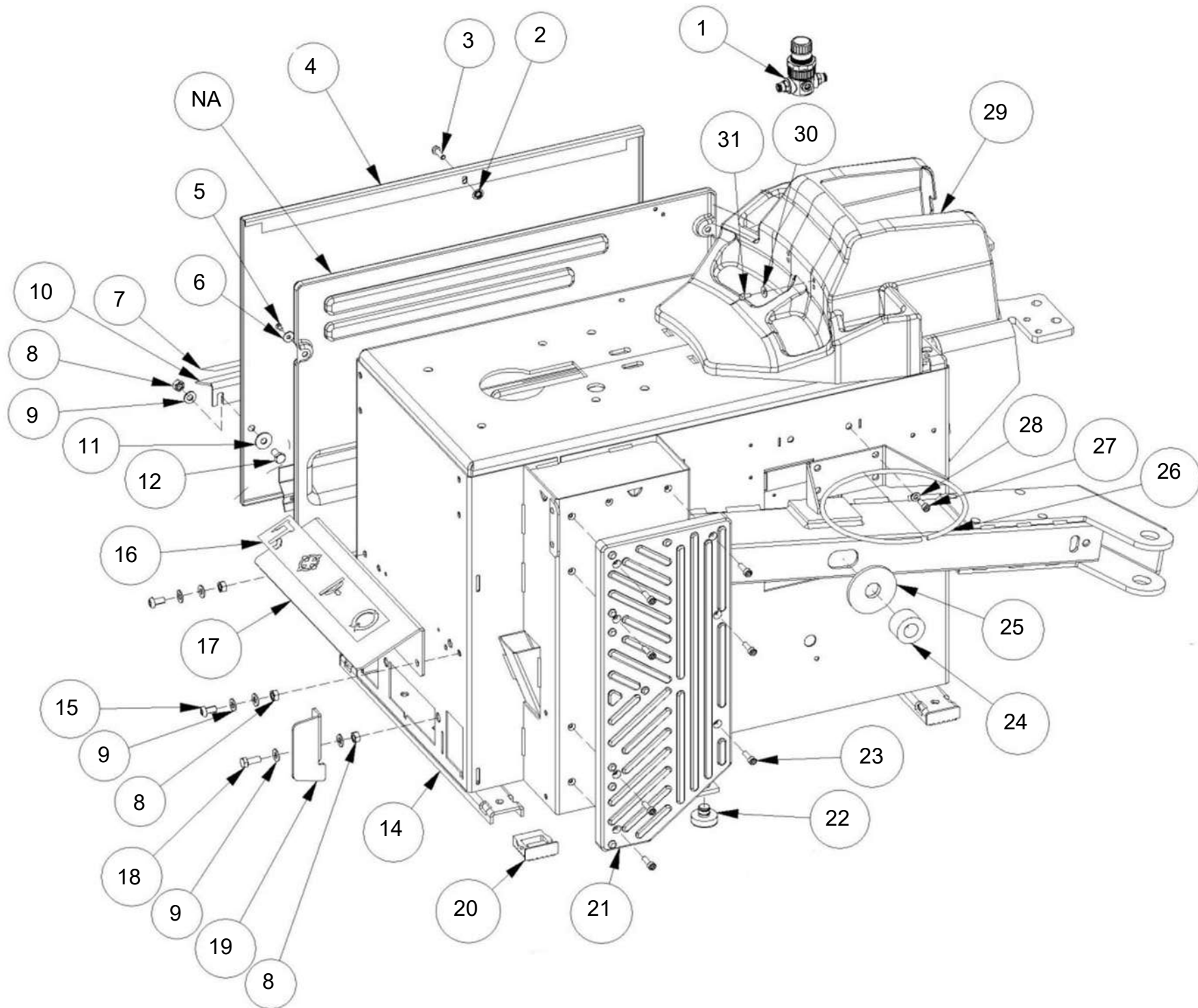
Tilt-Tower Tire Changer

With Pro Speed

Table of Contents

Build of Material	3
Cabinet Assembly	4
Inverter Assembly From 10/2022	6
Inverter Assembly from 6/2020-9/2022	7
Inverter Assembly From 8/2017-5/2022	8
Inside Cabinet Assembly	10
Tower Assembly Upper	9
Tower Assembly Lower	13
Bead Breaker Cylinder	16
Bead Breaker Arm	17
Turntable Assembly	19
Pedal Assembly	25
Pedal Assembly	27
Motor and Trans Assembly	29
Inflation Tank Assembly From 4/2023	30
Inflation Tank Assembly up to 3/2023	32
Tool Tray Assembly	34
Back Cover	36

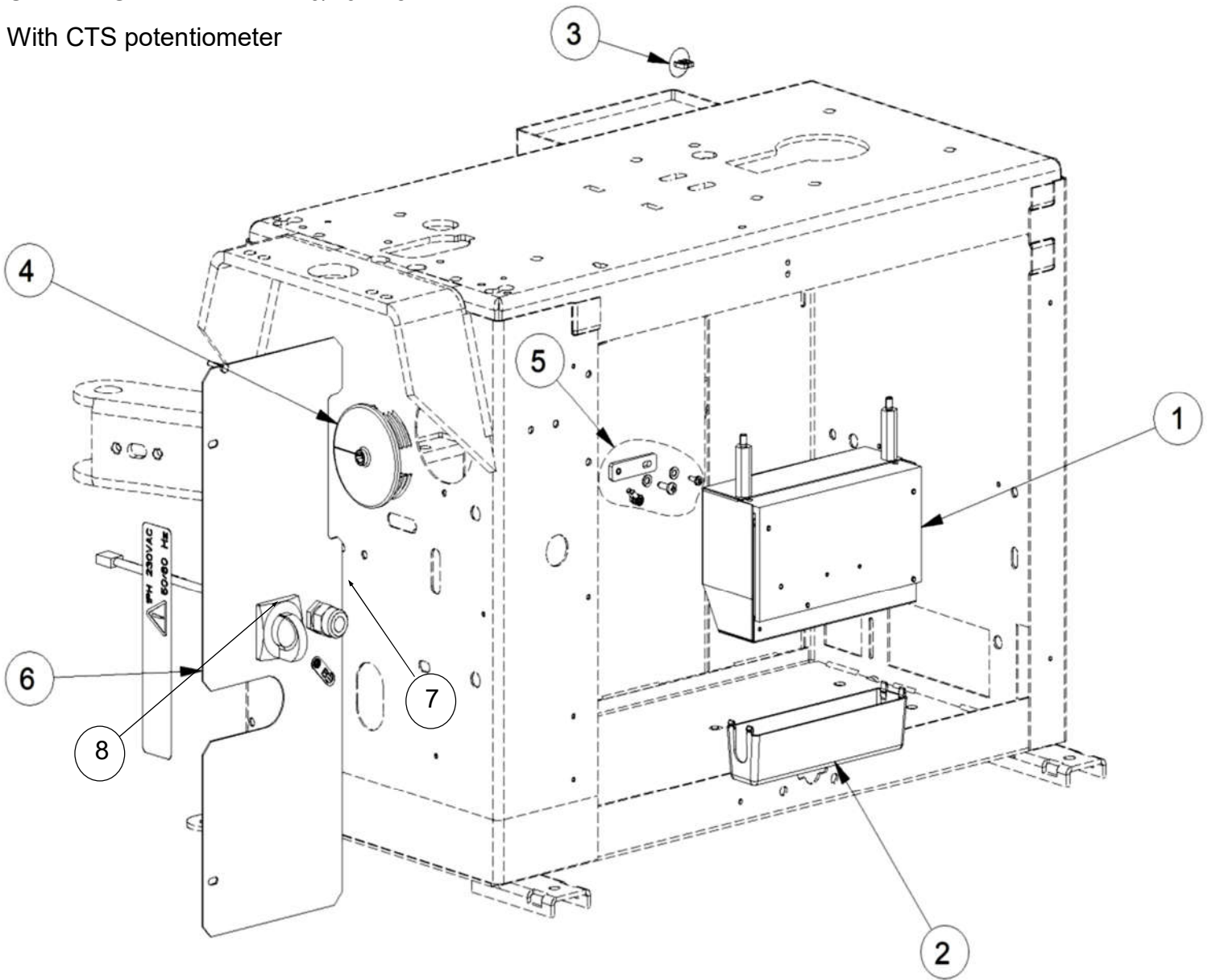
PART NUMBER	DESCRIPTION
EAA0329G34B	BEAD ASSIST ASSEMBLY – MH-320
EAL0467G92A	DECAL TC LEVER WARNING
ZEEWH554B9	LIT PACK FOR JB EEWH554B
EAL0408G12A	LABEL PATENTS (33772)
EAL0413G31A	LABEL GROUND 8453
EAL0467G27A	LABEL QR CODE
EAL0408G24A	LABEL OIL (10724)
EAL0383G34A	LABEL DANGER (16524)
EAL0408G43A	LABEL DANGER (B) 17691
EAL0408G45A	LABEL ROTATION DIRECTION 22187
EAL0408G21A	LABEL DRAIN (22188)
5-14126A	BRUSH TIRE LUBE APPLICATOR
24212	PLACARD DANGER TC ENG SPANISH
EAC0105J41A	NAMEPLATE-JOHN BEAN TM
EAL0443G65A	DECAL T5745T
22186	PLATE SERVICE
EAL0467G04A	PRO SPEED DECAL
EAL0408G25A	LABEL PRESSURE MIN MAX 16352
EAC0103G11A	PEDAL SPACER
EAL0413G17A	LABEL DANGER 17692
EAL0408G42A	LABEL DANGER 17694
EAL0352J18A	WARNING LABEL
22185	LABEL-INLET PRESSURE
22843	DECAL
EAL0383G36A	LABEL 17273
EAL0383G31A	LABEL DANGER 14513
EAL0413G36A	LABEL WARNING 29380
EAL0408G78A	LABLE PROTECTIVE DEVICE
EAL0443G66A	DECAL-ENTRAPMENT WARNING
EAC0097G47A	WAVE TIRE MOUNTING LEVER
EAK0329G86A	LGHTALLOY RIM PROTE FRONT ONLY
EAC0113G61A	RIM PROTECTOR PLASTIC
EAM0043G53A	PIN M5 HEXAGONAL SKT- 30950
EAC0078G13A	BACK PLSTC RIM PROTECTOR-30580
1-36109A2	SCREW BH CAP M5 X 10 91239A224
8-03229A	LUBRICANT-TIRE MOUNTING 75N



REF #	QTY	PART NUMBER	DESCRIPTION
1	1	EAA0350G84A	AIR PRESSURE REDUCER ASSY, W.FITTING
2	1	1-1548	WASHER-6MM SP-PURCH
3	1	1-30901A2	SCREW TE 6X20 8G
4	1	EAS2029J62A	SIDE PANEL-TIRE CHANGER BLK
5	1	1-20423	SELF TAPPING SCREW D4,2X13
6	1	1-23641A	WASHER 5X15X1.5
7	1	EAL0413G34A	STICKER- INFLATOR
8	4	1-11733	NUT M8
9	5	1-17741	WASHER D.8
10	1	EAS2115G83A	PROTECTOR,PEDAL
11	1	1-17841	WASHER - D. 8X24
12	1	1-32501A	SCREW 8X16 8G
13	0	NOT USED	NOT USED IN NORTH AMERICA
14	1	EAS2141J50A	TC CABINET TILT RED
15	2	1-9902A	SCREW
16	1	22671	LABEL PEDALS
17	1	EAS2169G75AC	PEDAL PROTECTION RAL3000
18	1	1-32601	SCREW TE 8X20 8.8
19	1	EAS2100G95A	PEDAL-REVERSER PROTECTOR-26911
20	4	EAC0097G52A	FOOT-SQUARE
21	1	EAC0099G22A	SUPPORT BEAD BREAKER-20101
22	1	EAC0078G03A	FOOT CIRCULAR RUBBER (9829)
23	2	1-16409A	SCREW TCEI 6X20 8G
24	1	EAC0097G51A	WASHER-SHOCK MID TIER TC 7564
25	1	ST0004422	SPACER-ARM BEAD BRKR
26	1	EAA0349G76A	RING-BOX GREASE 4025460
27	2	1-16309	SCREW - SHCS M6 X 16MM
28	2	1-9841	WASHER-6MM
29	1	EAC0100G96A	TOWER COVER BASE
30	2	1-24423A	SCREW -S.THREAD, 10EX13TE
31	2	1-19041A	WASHER 5X16X1

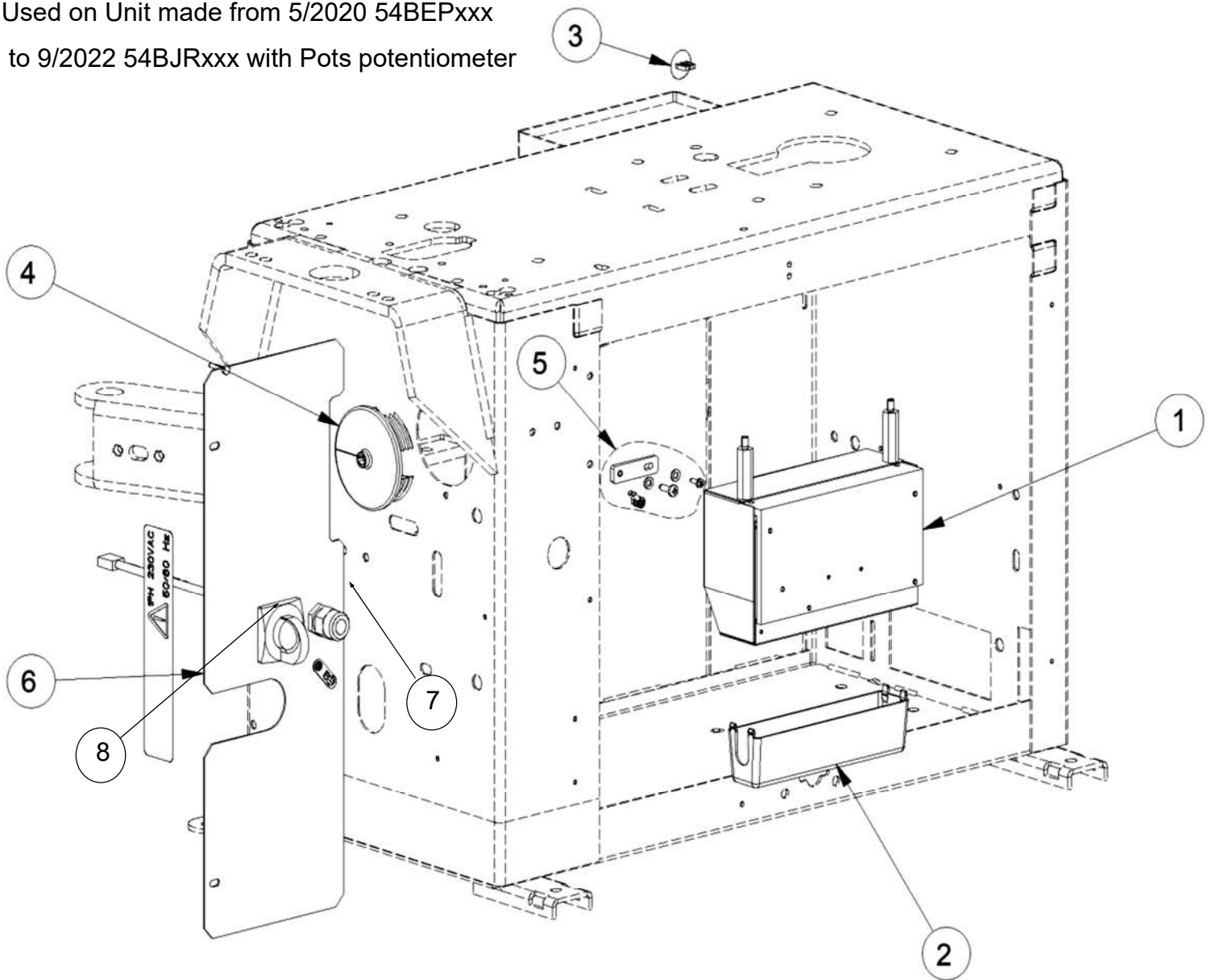
Used on Unit made from 10/2022 54BKRxxx

With CTS potentiometer

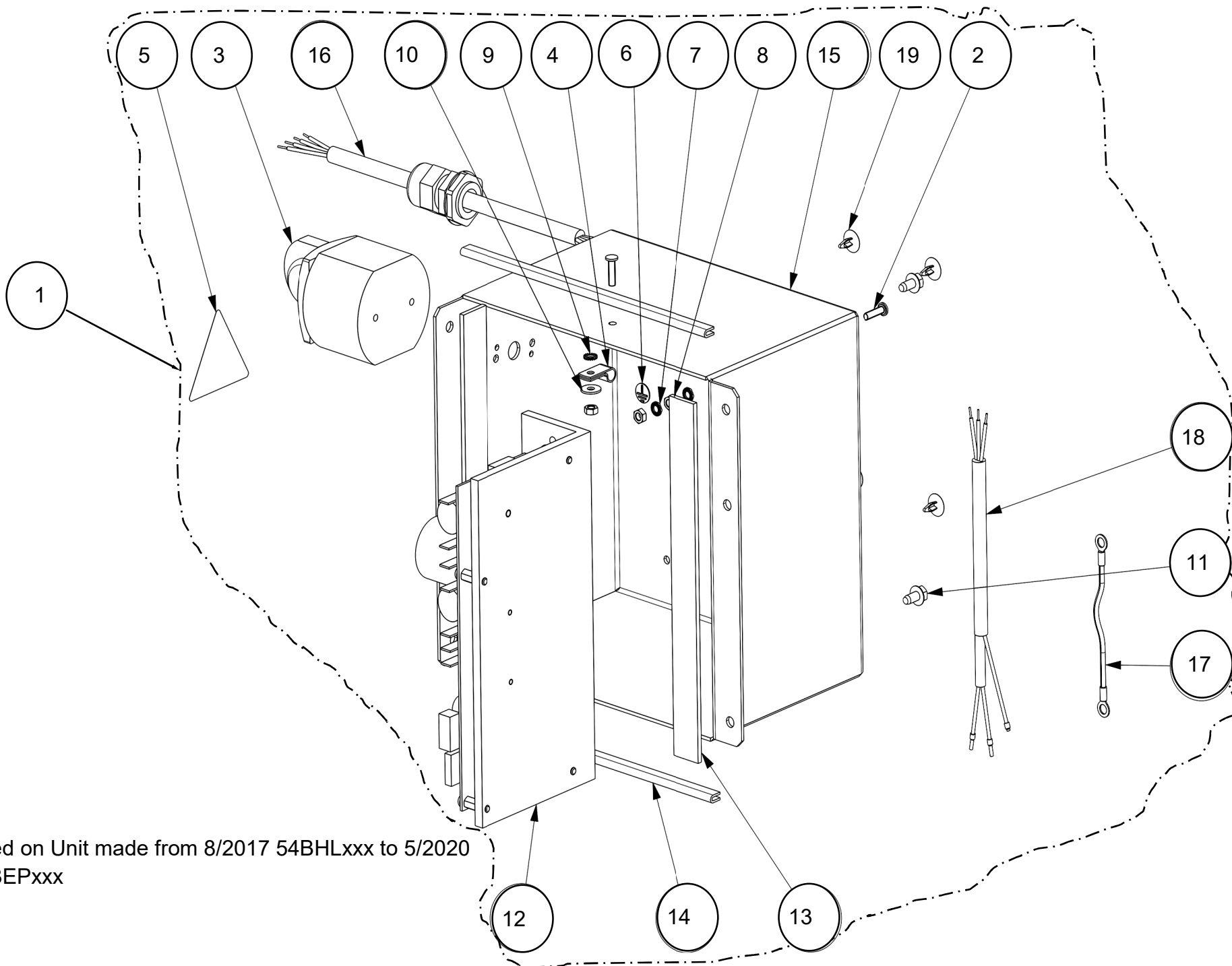


REF #	QTY	PART NUMBER	DESCRIPTION
1	1	EAA0481G23A	CR INVERTER GROUP
	1	EAA0481G15A	INVERTER & HEAT SINK
2	1	EAC0103G88A	COVER FOR INVERTER BOX
3	1	1-09076A	CAP CLOSING
4	1	EAC0113G00A	BACK SHEET CABINET COVER
5	1	EAK0317G29A	KIT, BRACKET FOR INVERTER
6		EAA0481G28A	ROTARY CAM SWITCH GROUP - UL
7	1	2-15057A	GLAND CABLE PC13.5 BLACK
8	1	2-14861A	Rotary cam switch 2 poles

Used on Unit made from 5/2020 54BEPxxx
to 9/2022 54BJRxxx with Pots potentiometer

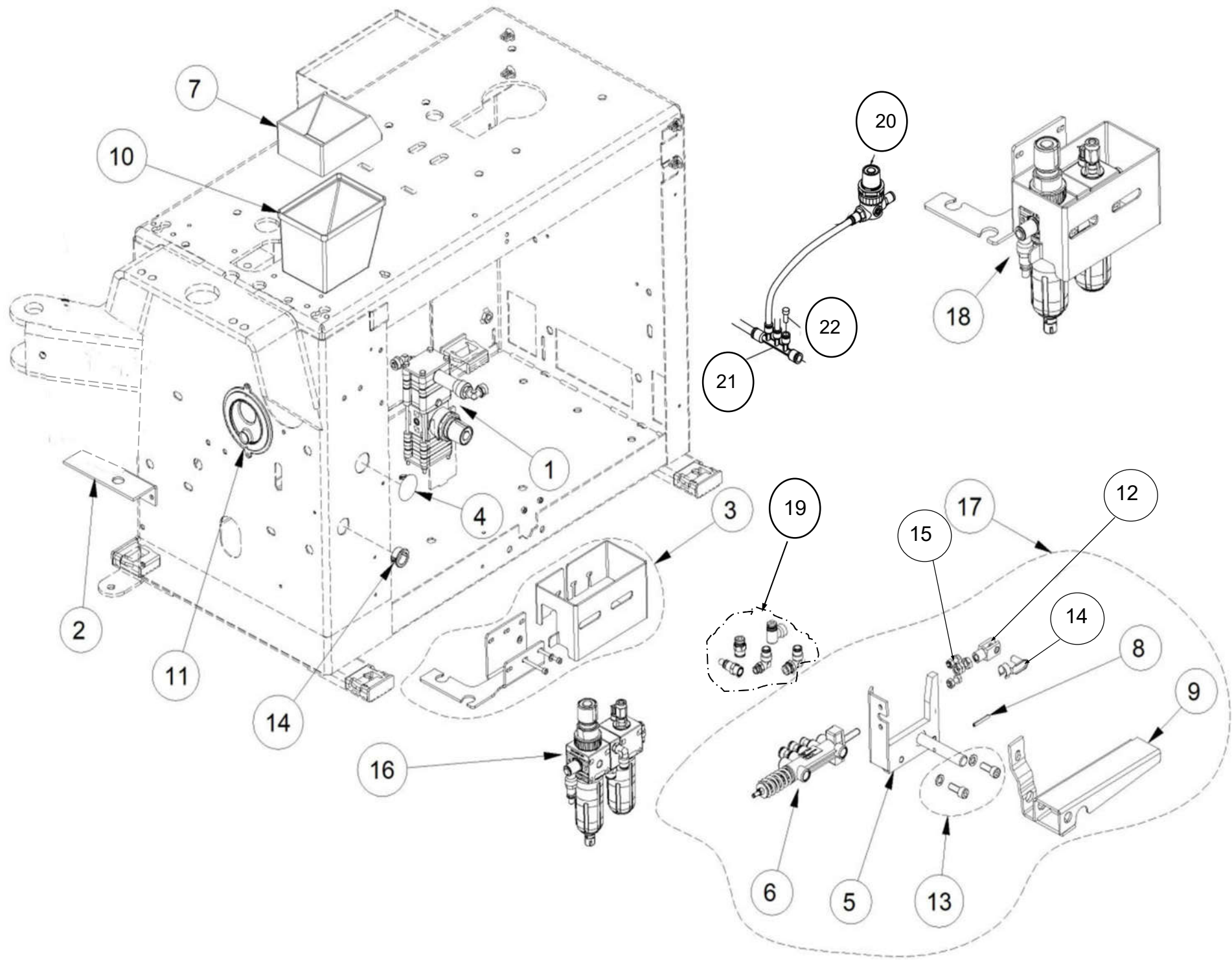


REF #	QTY	PART NUMBER	DESCRIPTION
1	1	EAA0440G45A	INVERTER ASSEMBLY
	1	EAA0409G81A	INVERTER & HEAT SINK
2	1	EAC0103G88A	COVER FOR INVERTER BOX
3	1	1-09076A	CAP CLOSING
4	1	EAC0113G00A	BACK SHEET CABINET COVER
5	1	EAK0317G29A	KIT, BRACKET FOR INVERTER
6		EAA0481G28A	ROTARY CAM SWITCH GROUP - UL
7	1	2-15057A	GLAND CABLE PC13.5 BLACK
8	1	2-14861A	ROTARY CAM SWITCH 2 POLES

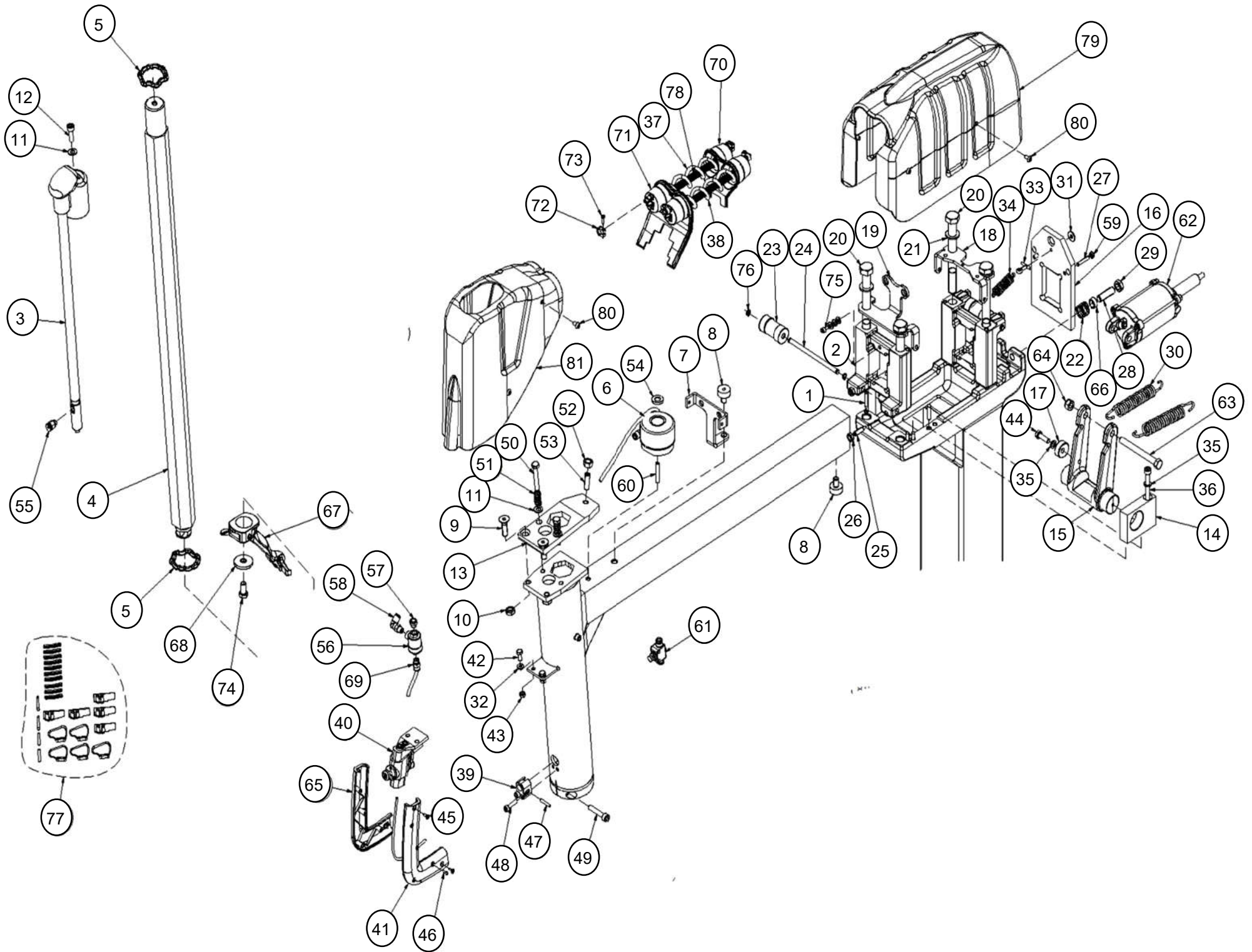


Used on Unit made from 8/2017 54BHLxxx to 5/2020 54BEPxxx

REF #	QTY	PART NUMBER	DESCRIPTION
1	1	EAA0458G21A	INVERTER BOX ASSEMBLY
2	2	1-54801A	SELF-CLINCHING STUD M4X16
3	1	2-14861A	BIPOLAR POWER SWITCH
4	1	5-08745A	ALLUMINIUM CABLE CLAMP
5	1	8-23562A	STICKER, DANGER VDE
6	1	8-23762A	LABLE, GROUND(B)
7	2	1-5547	BEVELED SERRATED WASHER
8	3	1-15833A	HEX NUT M4, BRASS
9	1	1-1348	LOCKWASHER D4
10	1	1-16441	WASHER 4X12X1
11	2	1-3724	CUTTING SCREW HEXAGON M6SF-TT M5X10 FZB
12	1	EAA0458G76A	INVERTER WITH SMARTSPEED TECH FOR NA
13	2	EAM0087G08A	SELF-ADHESIVE SEALING 3X20
14	2	EAM0087G09A	U PROFILE 2 MM GASKET RUBBER
15	1	EAS2132G53A	INVERTER BOX
16	1	EAW0282G20A	MAIN CABLE CSA
17	1	EAW0282G22A	CABLE, EARTH FOR CABINET
18	1	EAW0282G23A	MAIN SWITCH-INVERTER CABLE
19	4	1-12176A	PLUG, Ø4.6MM BLACK NYLON



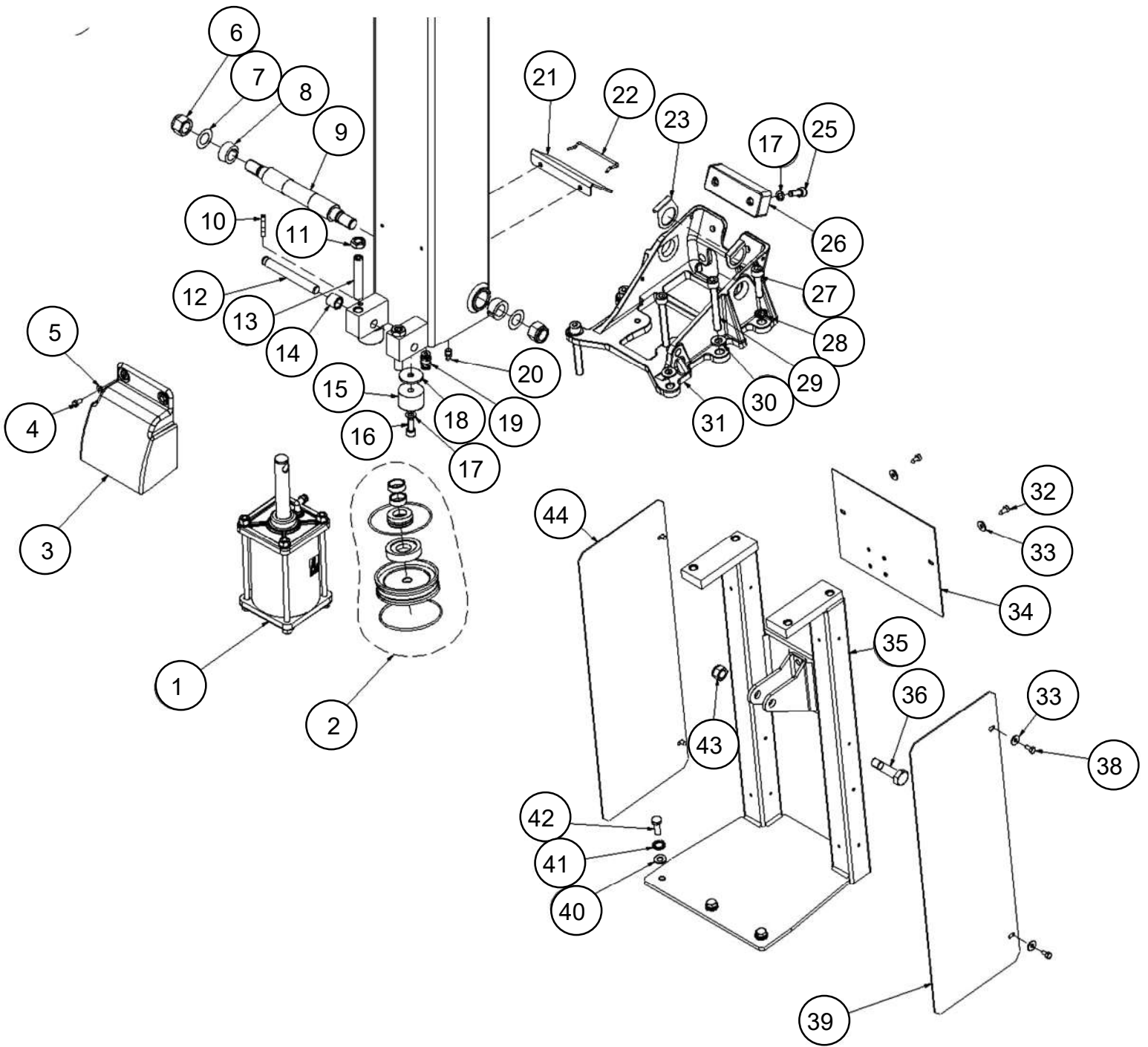
REF #	QTY	PART NUMBER	DESCRIPTION
1	1	EAA0384G22A	VALVE, AIR CONTROL
2	1	EAS2090G13A	BRACKET-VALVE, INFLATOR
3	1	EAK0330G49A	NA LUB. FILTER FIXING KIT
4	1	1-08676A	CAP, CLOSING
5	1	EAS2134G52A	GT PEDAL SUPPORT
6	1	EAA0329G75A	VALVE, BEAD INFLATING
7	2	1-31581A	PLUG-VALVE, HOUSING
8	1	1-6652	PIN STRAIGHT SLOTTED 4x30 DIN 1481
9	1	EAS2068G87A	PEDAL, B. INFLATING, CATAPHOR. BLK
10	2	8-03129A	BOX-GREASE
11	1	EAC0100G22A	CABLE PROTECTION
12	1	1-02655A	CLEVIS M8 UNI 1676 DIN 71752
13	1	EAK0306G33A	SCREWS AND BOLTS FOR GT PEDAL
14	1	1-02955A	PIN-COTTER D.8 W/CLIP
15	3	1-15933A	NUT-HEX 8M-1.25
16	1	EAA0439G90A	FILTER-PRESS.RED.-LUBRIC.ASSY+AIR IN
17	1	EAA0384G14A	GROUP, BEAD INFLATING PEDAL
18	1	EAA0489G30A	LUBRICATOR FILTR GROUP
19	1	EAK0315G99A	FITTINGS KIT FOR FILTER
20	1	EAA0350G84A	AIR PRESSURE REDUCER ASSY, W.FITTING
21	1	1-12379A	DISTRIBUTOR, MULTI-TEE 08-06
22	1	1-09176A	CAP,FITTING D.6



REF#	QTY	PART NUMBER	DESCRIPTION
1	8	1-23252A	PIN D6x30 UNI-EN 28734B
2	2	EAM0048G27A	SUPPORT FOR SLIDING ROD 70x50
3	1	EAA0344G31A	ROD ELEVATOR
4	1	EAM0053G47A	HEXAGONAL ROD
5	2	EAC0094G02A	RING, SHOCK-ABSORBER
6	1	EAA0344G32A	VERTICAL LOCKING CYLINDER
7	1	EAS2096G70A	PROTECTIONS SUPPORT
8	2	EAC0094G00A	ARM RETAINING SCREW
9	2	1-26103A	SCREW TSEI 10X35 10.9
10	2	1-19633B	NUT- M10 6S BLK UNI5589-65
11	3	1-17741	WASHER d.8
12	1	1-17809A	SCREW 8X25 8.8 A2J UNI5931-67
13	1	EAS2096G72A	VERTICAL STRANGLE
14	2	EAM0053G48A	CAM SUPPORT FRONT H STRANGLE
15	1	EAM0053G49A	HORIZONTAL STRANGLE
16	1	EAS2096G74A	H STRANGLE PLATE
17	1	EAM0053G50A	LOCKING CAM
18	1	EAS2096G75A	HOOK SPRING PLATE
19	1	EAS2096G76A	SPIRAL PIPES CONNECTION SHEET
20	4	1-51401A	HEX SCREW M16 x 150 ISO 4014 Zinc.
21	4	1-25941A	PLANE WASHER D16x27x2.5 UNI1750 ZINC
22	2	EAM0053G51A	SPRING-RECALL, LEVER, LOCKING
23	2	EAM0053G52A	SLIDING ROD ROLLER
24	2	EAM0053G53A	SLIDING ROLL 70x50 ROD
25	4	EAM0053G54A	ROD 70x50 SLIDING ROLL REGISTER
26	4	1-15933A	NUT M8 DIN 936 - UNI 5589
27	2	1-51910A	SCREW STEI 6X30 12K
28	2	1-14810	SCREW SSCR M12x40 DIN 913 Burn.
29	4	1-22733A	NUT - M12 6S
30	2	EAM0053G55A	CAM RETURN SPRING

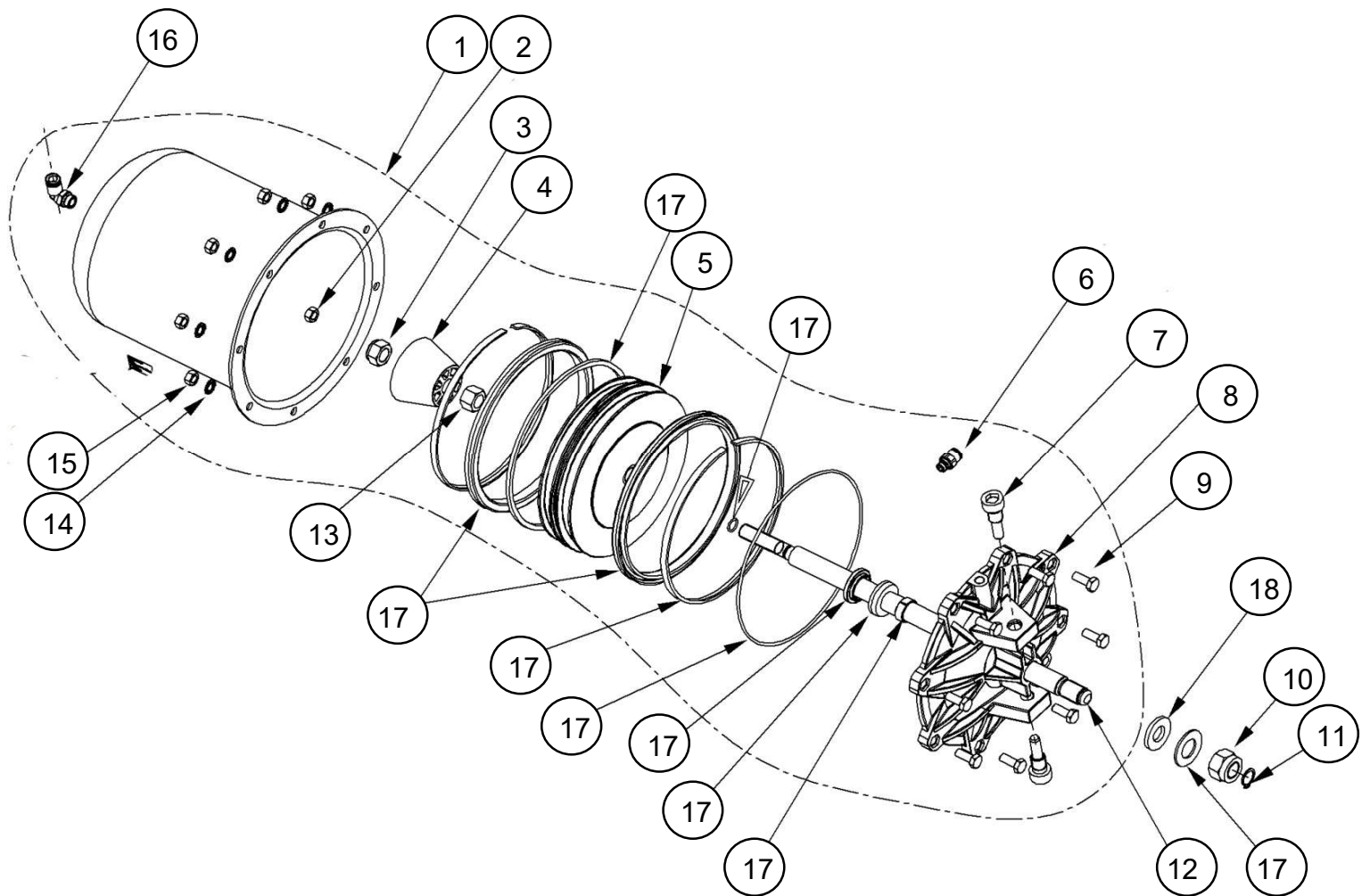
REF#	QTY	PART NUMBER	DESCRIPTION
31	1	1-20041A	WASHER - d.6X18
32	5	1-13241	WASHER,FLAT, d.6
33	1	1-23152A	SPLIT PIN D5x28 UNI 1336 Zinc
34	1	EAM0053G58A	SPRING PIN
35	7	1-25841A	PLANE WASHER Di 8.4x14x1.6 UNI6592 ZINC
36	2	1-30609	SCREW, HEX SOCKET HEAD M/8x65
37	1	EAM0053G60A	SPIRAL PIPE POLYURETHAN ø6x4
38	1	EAM0053G59A	SPIRAL PIPE POLYURETHAN ø6x4
39	1	EAC0094G14A	BODY,HANDLE FIXING
40	1	EAA0338G09A	VALVE,LIFT CONTROL
41	1	EAC0094G03A	HANDLE, RIGHT ST.1801
42	2	1-14701A	SCREW HEX HEAD MACHINE 6X16 8G
43	2	1-9933	NUT, PREVAILING TORQUE M6
44	1	1-32701A1	SCREW M8X25
45	4	1-21223A	SCREW, SELF-TAPPING (M3.5X13MM)
46	4	1-11204A2	SCREW,TCB PHILIPS HEAD M3X10
47	1	EAM0053G61A	ROLLER, MODIFIED D.4X25,8
48	2	1-16509A1	SCREW TCEI 6X25 8G
49	1	1-30109A	SCREW
50	2	1-39901A	SCREW M 8X50 ISO4017 - DIN933
51	2	EAM0053G62A	SPRING ADJUSTMENT
52	1	1-15433	NUT M10 YELLOW ZINCKED DIN 934
53	1	1-13310	SCREW 10X30 12K
54	1	EAM0053G63A	WASHER- REINFORCEMENT
55	1	1-15079A	FITTING 1/8-4
56	1	1-26981A	VANNE,EXHAUST-QUICK 1/8
57	1	EAM0032G91A	MUFFLER 1/8
58	1	1-15379A	FITTING-90 DEG,FIXED L 4X6 1/8
59	2	1-17833A	HEX.NUT M6 6S
60	1	1-23352A	PIN - 6X40
61	1	1-26481A	SPEED CONTROLLER FLAT

REF#	QTY	PART NUMBER	DESCRIPTION
62	1	EAA0344G33A	CYLINDER ø63
63	1	1-48601A	SCREW 10X100 10.9 A2R UNI5737-65
64	1	1-10133	NUT -S.LOCK,LOW - M10
65	1	EAA0362G33A	LEFT HANDLE WITH INSERTS
66	2	EAM0053G70A	
67	1	EAA0329G95A	MOUNTING/DEMOUNTING TOOL
68	1	EAM0032G02A	WASHER- TOOL CLAMPING
69	1	1-11579A	FITTING-STRAIGHT 4X6 1/8
70	1	EAC0087G88A	CENTRAL SPIRAL PIPES PROTECTION
71	1	EAC0087G85A	SPIRAL PIPES PROTECTION
72	4	EAC0087G97A	CLAMP
73	4	1-24823A	SCR, PHIL PNH 3.5 x 16 mm ISO 7049-F
74	1	1-34301A	SCREW HEX 10X20 8G
75	1	1-14909	SCREW
76	4	1-3477	RING- SNAP, SHAFT d.8
77	1	EAA0372G24A	PROTECTIONS FOR MOUNTING TOOLS (optional)
78	2	1-07667A	TENSION SPRING
79	1	EAM0086G10A	CENTRAL UPPER PROTECTION TILTING TOW
80	8	1-54609A	SCREW M6 x 10mm ISO7380 Zinc.
81	1	EAC0087G84A	PROTECTION-UPPER, TOWER

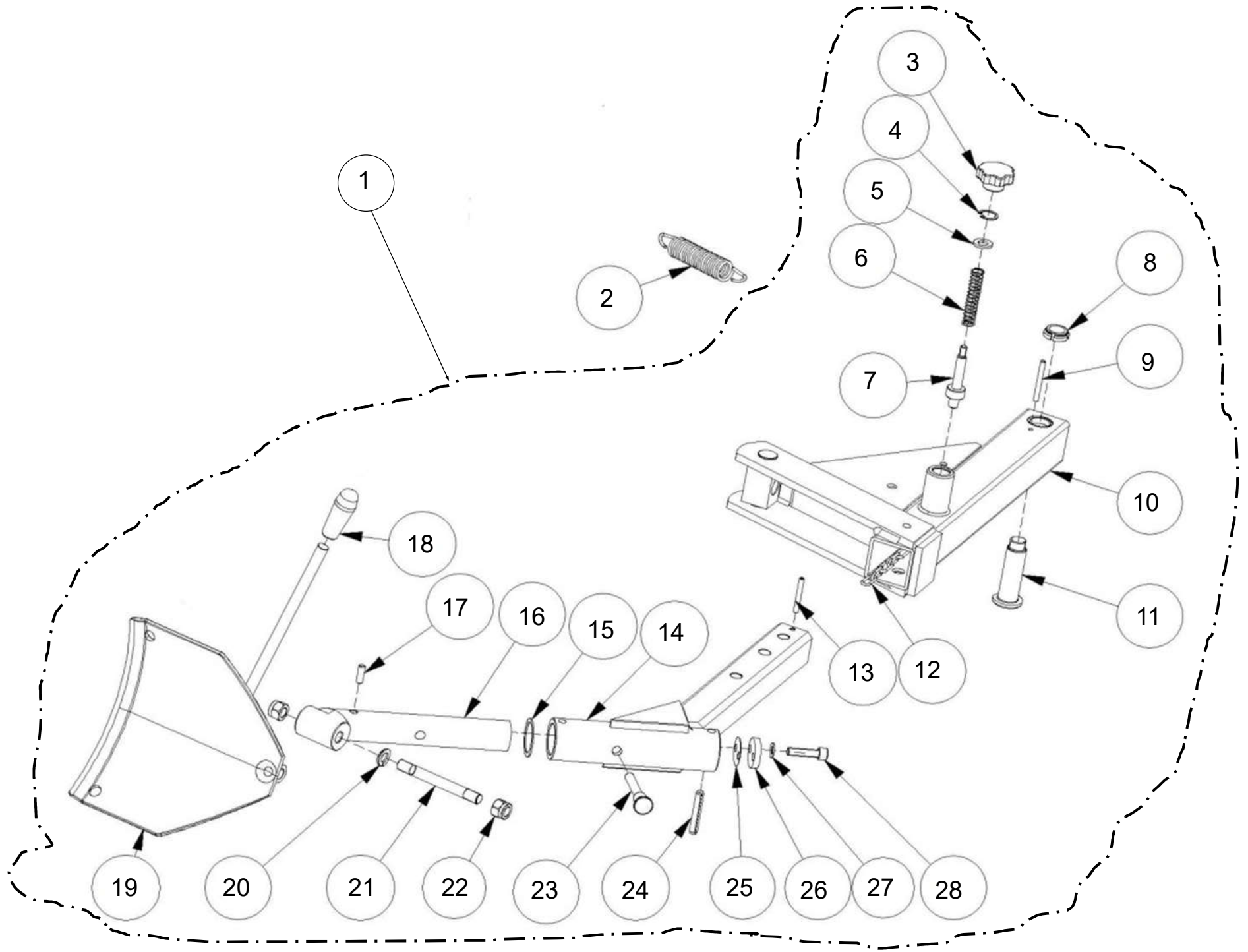


REF #	QTY	PART NUMBER	DESCRIPTION
1	1	EAA0356G14A	CYLINDER TILTING TOWER
2	1	EAA0356G43A	SEALS,KIT FOR TILTING-TOWER CYLINDER D KIT
3	1	EAC0094G25A	FRONT PROTECTION TOWER
4	8	1-24423A	SCREW -S.THREAD, 10EX13TE
5	2	1-31241A	WASHER D.5 MM
6	2	1-02637A	NUT - S.LOCK,HIGH- M16 5S
7	2	EAM0051G74A	WASHER-SHIM 30X17X0.3
8	2	EAM0075G52A	BUSHING,CONIC - TOWER
9	1	EAM0051G65A	TOWER - AXLE PIN
10	1	EAM0127G83A	HEX SCREW M6X35 WORKED
11	4	1-22733A	NUT - M12 6S
12	1	EAM0127G82A	CORE PISTON D12MM
13	2	1-52010A	SCREW STEI M12X70 12.9
14	1	EAM0125G79A	BUSHING, CENTERING- SPRING
15	2	EAC0094G07A	PAD, SHOCK-ABSORBER
16	4	1-17709	SCREW TCEI 8X20 8G
17	7	1-25841A	PLANE WASHER DI 8.4X14X1.6 UNI6592 ZINC
18	2	EAM0075G51A	WASHER Ø8.5X34
19	1	1-15179A	STRAIGHT FITTING RAPID CONNECTOR 6X4
20	1	1-18084A	GREASER-NIPPLE M8X1,25
21	1	EAS2130G10A	PROTECTION, REAR- TOWER
22	1	EAM0006G49A	RETAINER-FLAP
23	2	EAM0086G15A	C67 WASHER THK 0.8
25	4	1-17709	SCREW TCEI 8X20 8G
26	1	EAM0080G29A	CLAMP,OVERTURNING
27	2	1-19409	SCREW TCEI 10X40
28	5	1-3148	EXT.SHAKEPROOF D.10 DIN 6798/A
29	4	1-57309A	SCREW TCEI 10X80 8G ZINC.BIANC UNI 5931-

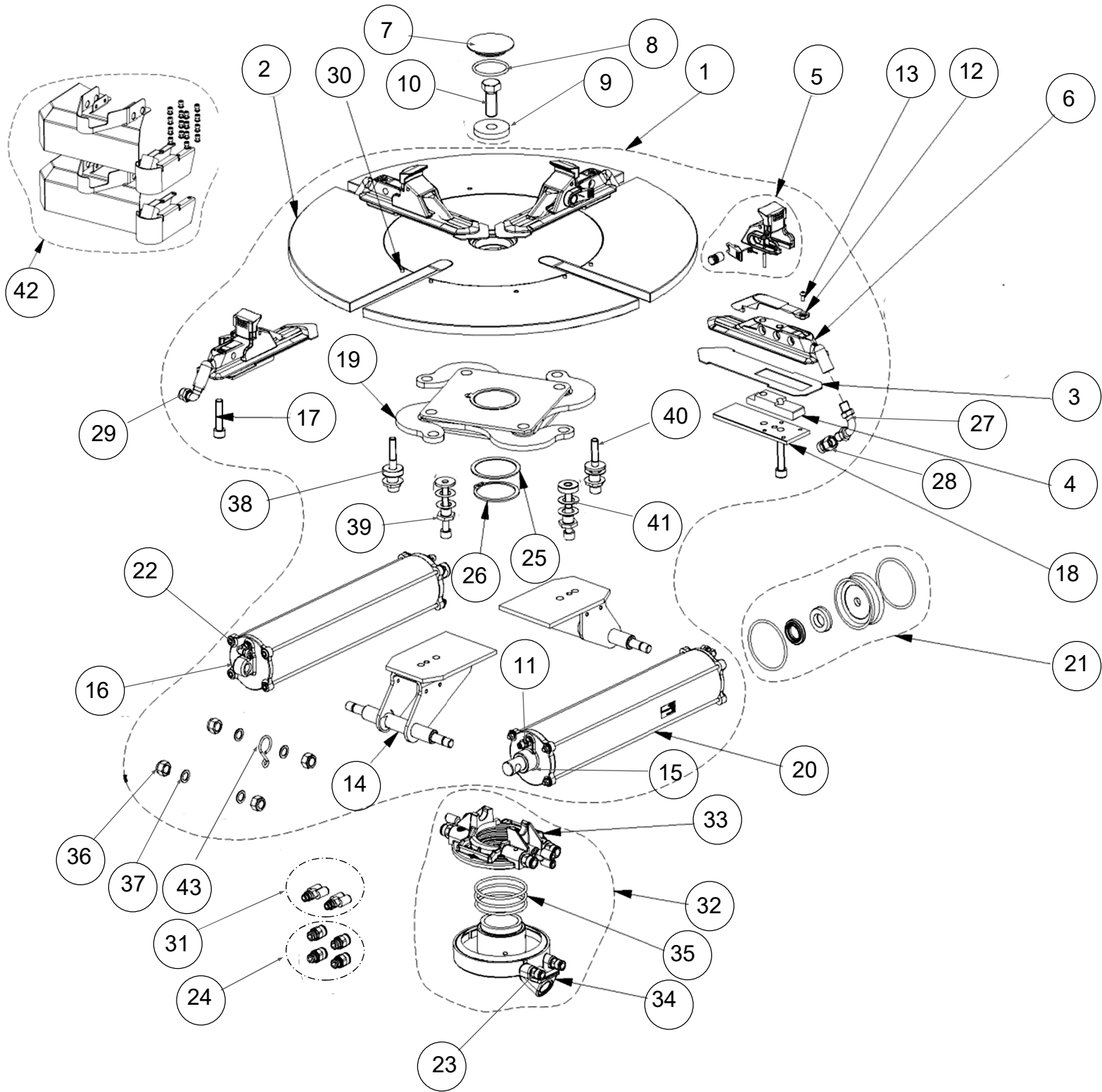
REF #	QTY	PART NUMBER	DESCRIPTION
30	4	1-10141A1	WASHER P.d.10
31	1	EAM0080G77A	TOWER SUPPORT MACHINED
32	8	1-24423A	SCREW -S.THREAD, 10EX13TE
33	6	1-19041A	WASHER 5X16X1
34	1	EAA0376G51A	TIMING CASE, BACK
35	1	EAS2111G07A	BACK SUPPORT , TILT POST
36	1	EAM0069G81A	CYLINDER FITTING SCREW
38	8	1-24423A	SCREW -S.THREAD, 10EX13TE
39	1	EAS2087G76A	TIMING CASE, SIDE
40	3	1-10041	WASHER D.8
41	5	1-3148	EXT.SHAKEPROOF d.10 DIN 6798/A
42	3	1-32601A	SCREW TE 8X20 8G
43	1	1-19933A	NUT - LOCK - M12 DIN985
44	1	EAA0502G16A	BLK LATERAL COVER



REF #	QTY	PART NUMBER	DESCRIPTION
1	1	EAA0329G49A	COMPLETE CYLINDER ASSEMBLY
2	1	1-16433A	NUT 1/4" X 0.25"
3	1	ST7020409	NUT-S.LOCK,LOW- M14
4	1	EAM0048G04A	LIMIT SWITCH RUBBER PAD
5	1	ST0009279	PISTON
6	1	ST0001924	FITTING-ST 6 X 8 1/8
7	2	EAM0067G34A	SCREW,FITTING- CYLINDER B/BREAK
8	1	ST0013409	END CAP-CYLINDER/BEAD BREAKER
9	8	1-32601	SCREW TE 8 X 20 8.8
10	1	1-20933A	NUT
11	1	1-3977	RETAINING RING FOR SHAFTS D16
12	1	EAM0048G07A	ROD BEAD-BREAKER CYLINDER
13	1	1-20433A1	NUT-LOCK M14 6S WHITE ZINC
14	8	1-1748	WASHER SHAKEPROOF D8
15	8	1-15933A	NUT-HEX M8 - 1.25MM
16	1	1-20179A	FITTING "L" 6 X 8
17	1	EAK0306G19A	CYLINDER RE-SEAL KIT



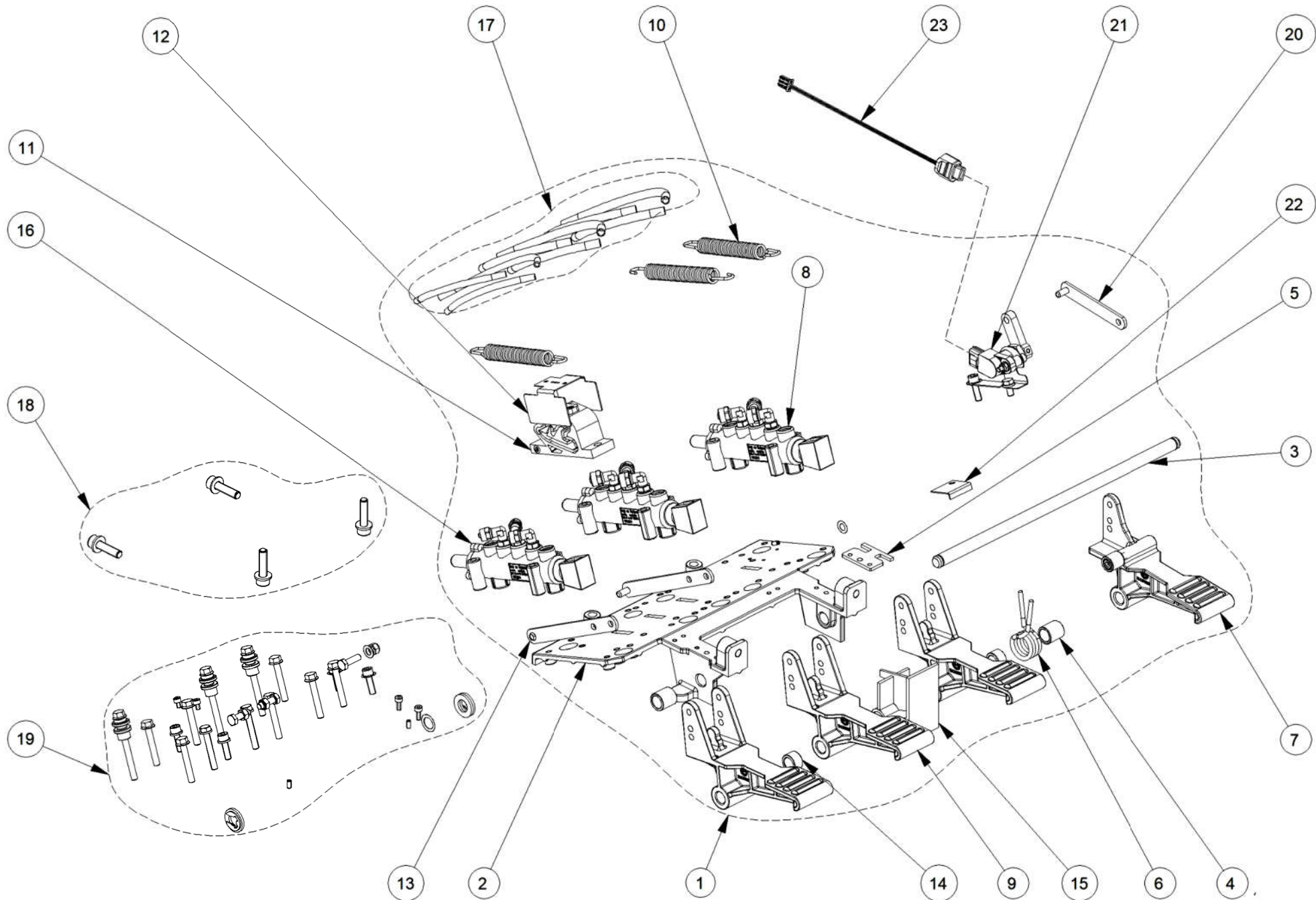
REF #	QTY	PART NUMBER	DESCRIPTION
1	1	EAA0328G71A	BEAD BREAKER ARM ASSY
2	1	EAM0006G06A	SPRING-TIRE CHANGER 16666
3	1	EAM0086G48A	HANDGRIP
4	1	1-19177A	SEEGER UNI 7437 ø24
5	1	1-10241A	WASHER, ISO 7089 (DIN 125A)
6	1	EAM0052G37A	BEAD HANDLE SPRING
7	1	EAM0086G47A	PADDLE POSITION PIN
8	1	1-02138A	NUT RING M20 7044102
9	1	EAM0056G92A	PIN D.6X57.5
10	1	EAS2087G79A	BEAD BREAKER ARM SUPPORT
11	1	EAM0086G16A	PIN BEAD BREAKER ARM
12	1	EAM0067G00A	ANTI-WITHDRAWING STUD CHAIN
13	1	1-23852A	PIN DIN 1481 6x50
14	1	EAS2133G63A	ARM PALLET
15	1	EAM0070G15A	WASHER-MANOMETER,FITTING
16	1	EAS2087G52A	PALLET SUPPORT
17	1	1-19452A	PIN-DOWEL d.5x25 UNI 1707
18	1	EAC0078G04A	RUBBER HANDLE
19	1	EAS2087G92A	BLADE, BEADBREAKER
20	1	1-5246	WASHER 14MM
21	1	EAM0086G49A	BLADE SCREW
22	2	1-26233A	S.LOCKING HIGH NUT M14 5S
23	1	EAA0328G72A	PIN - LOCK
24	1	1-26052A	PIN-SPLIT 10X60
25	1	EAM0087G05A	SLIDING RING
26	1	EAS2133G06A	FRICTIONING WASHER
27	2	1-04943A	SPRING WASHER
28	2	1-10133	NUT -S.LOCK,LOW M10



REF	QTY	PART NUMBER	DESCRIPTION
1	1	EAA0458G98A	TURNTABLE CENTR TYPE GT 26 IN
2	1	EAS2153G40A	TURNTABLE CENTER TABLE
3	4	EAM0043G15A	GUIDE TERMINALS CENTRE CONVERG.
4	4	EAM0043G44A	SPACER CLAMP
5	4	EAA0408G29A	ASSEMBLY CLAMP, SLIDING W/CENTRE 26"GT V 2
6	4	EAM0086G02A	CLAMP, SLIDING W/CENTRE 26"
7	1	EAC0087G47A	PROTECTION-TURNTABLE
8	1	8-11714A	O-RING
9	1	EAS2092G32A	WASHER
10	1	1-51101A	SCREW
11	2	1-27179A	STRAIGHT FITTING 4x6 1/8
12	4	EAC0099G90A	PROTECTION JAWS NEW ST. 1901
13	4	1-36109A2	SCREW TBEI 5X10 8G
14	2	EAM0051G76A	WASHER ø10x30x3
15	2	EAC0087G44A	FRONT CYLINDER FLANGE
16	2	EAC0087G43A	REAR CYLINDER FLANGE
17	4	1-54409A	SCREW, 10X50 12.9 BLK UNI 5931
18	2	EAM0043G49A	PLATE REGISTER CLAMP
19	1	EAA0351G73A	CLAMP ACTIONING PLATE
20	2	EAA0410G31A	SELF CENTERING CYLINDER
N/S	1	EAK0306G25A	TURNTABLE FIXING KIT (contents below)
	1	EAC0087G47A	PROTECTION-TURNTABLE
	1	8-11714A	O-RING
	1	EAS2092G32A	WASHER
	1	1-51101A	SCREW
21	2	EAK0317G36A	SEAL FOR ROUND CYLINDER
22	2	1-18879A	FITTING - L 4x6 1/8"
23	2	1-11379A	FITTING 4x6 1/8"
24	4	1-14679A	RAPID CONNECTOR 1/4" ø10
25	1	EAM0051G85A	SUPPORT WASHER

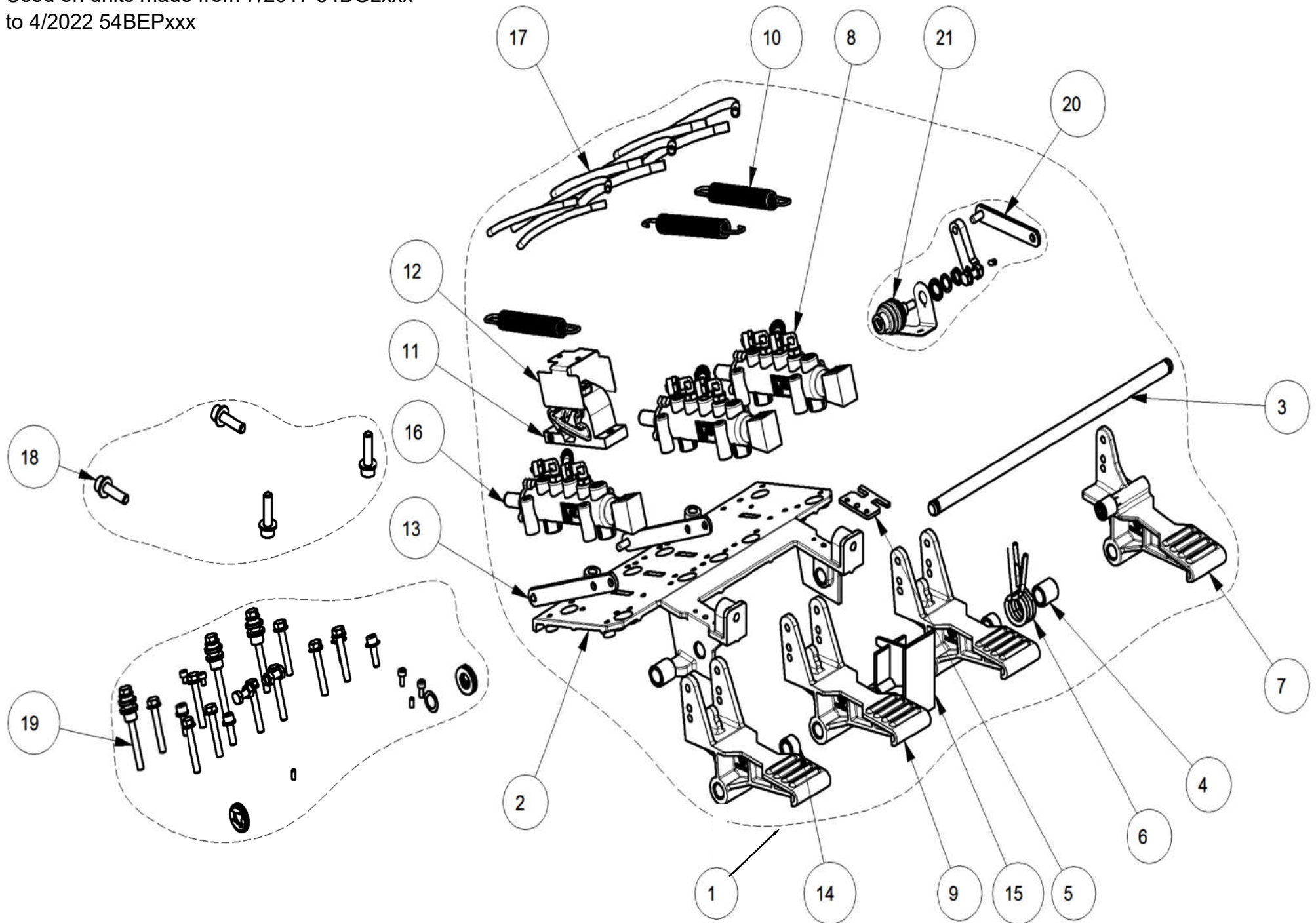
REF	QTY	PART NUMBER	DESCRIPTION
26	1	1-18677A	SEEGER UNI 7435 ROD ø60
27	2	EAM0051G83A	PIPE FOR BS CLAMP
28	2	1-14479A	RAPID CONNECTOR
29	2	1-14379A	RAPID CONNECTOR
30	8	1-25952A	DOWEL PIN 5MMX10MM
31	2	1-13579A	FITTING "Y" 4x6 1/8"
32	1	EAA0304G69A	QR REVOLVING MANIFOLD 4025382
33	1	EAA0338G76A	COLLECTOR EXTERNAL RING
34	1	EAA0338G27A	INNER COLL. WITH SCREW
35	3	8-10814A	OR ø69.44x3.53 OR4275 ANGST PFISTER
N/S	1	EAC0087G50A	FRONT GASKET BS
N/S	1	EAA0338G77A	GASKET SEAL SPRING
36	4	1-19933A	NUT M12
37	4	1-24641A	WASHER ø12,2x18x1 DIN 988
38	2	EAM0051G75A	SLIDING ROD SPACER
39	4	EAM0043G19A	EAM0043G19A
40	4	1-54409A	SCREW, 10X50 12.9 BLK UNI 5931
41	8	EAM0051G74A	WASHER 30x17x0.3
42	1	EAA0458G97A	ANTI ENTRAPMENT PROTECTION KIT, 26
N/S	4	EAM0154G76A	SPRING- PROTECTION, AIR HOSE
N/S	2	EAM0140G93A	PIPE SPIRAL BLACK 10X6.5X2.75S d74
N/S	5	5-845	TIE WRAP
N/S		5-06435A	4X6 HOSE
N/S	1	EAK0317G12A	JAW PROTECTION KIT
	4	EAC0113G47A	FRONT PROTECTION JAWS V2
	4	EAA0408G24A	REAR PROTECTION JAWS V2
n/s	1	EAS2138G25A	HOSE. CONNECTION - RUBBER
	1	ST2072705	HOSE HIGH PRESSURE RUBBER

Used on units made from 5/2020 54BEPxxx

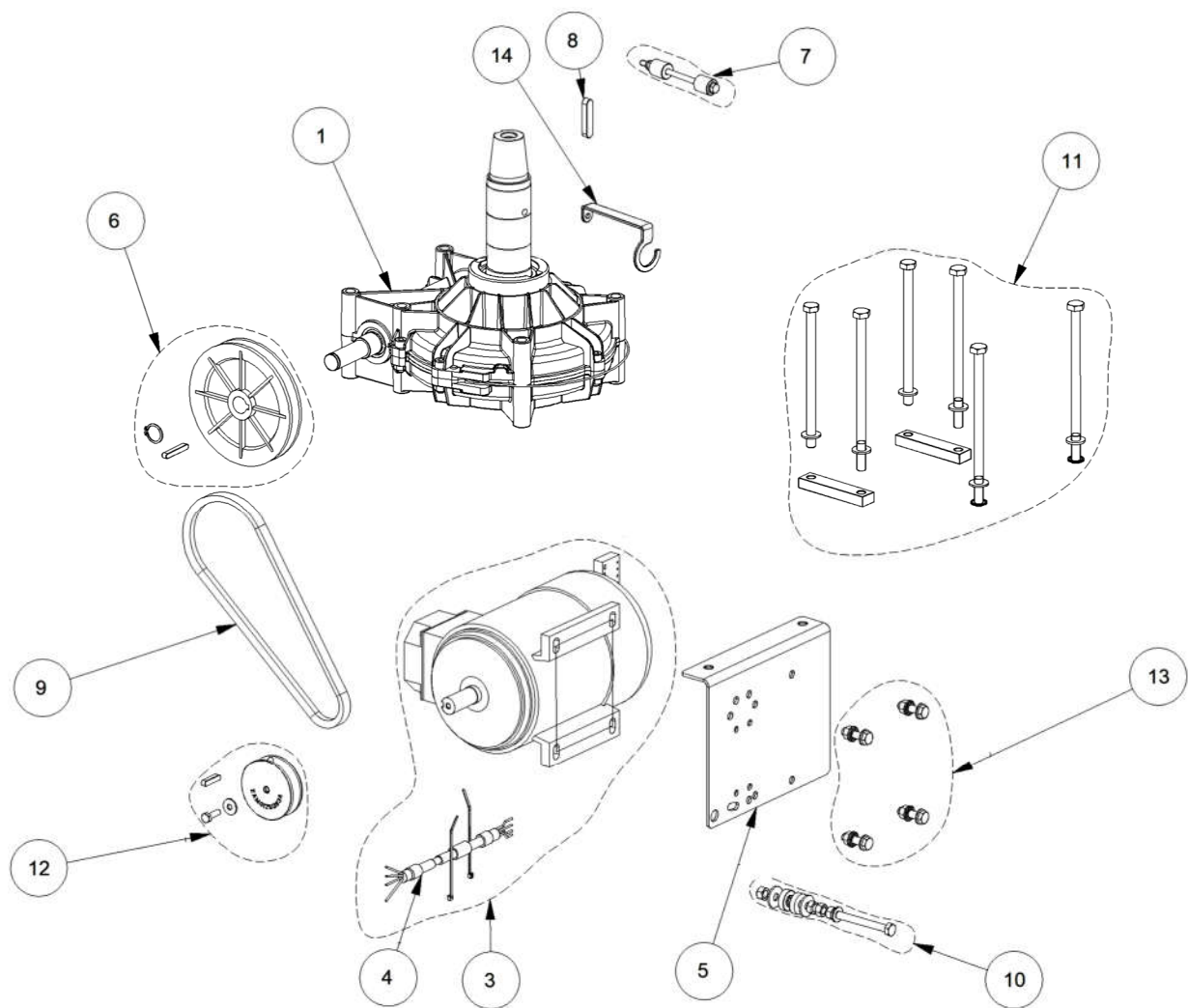


REF	QTY	PART NUMBER	DESCRIPTION
1	1	EAA0440G83A	4P CONTROL PEDAL WITH POTENTIOMETER
2	1	EAM0068G80A	PEDAL ASM SUPPORT - MACHINED
3	1	EAM0068G10A	SHAFT-HINGE, PEDAL
4	2	EAM0048G79A	BUSHING, CENTERING- SPRING
5	1	EAM0070G32A	COMMUTATOR SPRING GUIDE
6	1	EAM0075G56A	SPRING, PEDAL SWITCH 2SPEED
7	1	EAA0356G92A	RIGHT SWITCH FOOT PEDAL
8	2	EAA0356G94A	BEAD BREAKER VALVE
9	3	EAM0068G95A	STANDARD PEDAL - MACHINED
10	3	EAM0147G64A	SPRING RECALL PEDALS
11	1	EAC0103G56A	CAM FOR PEDAL
12	1	EAS2115G09A	PROTECTION SHEET FOR CAM
13	2	EAS2111G73A	ROD POSITIONER PEDAL
14	2	EAM0070G46A	SPACER L=11 mm
15	1	EAC0096G11A	SPACER-PEDAL
16	1	EAA0356G96A	TURNTABLE/ TILTING VALVE
17	1	EAA0364G09A	HOSES KIT FOOT PEDAL ASM 4P - STD
18	1	EAK0279G96A	CONTROL PEDALS MOUNTING KIT
19	1	EAK0279G39A	NUTS/SCREWS FOR FOOT PEDAL ASM
20	1	EAS2132G66A	ROD PEDAL POTENTIOMETER
21	1	EAK0330G64A	PEDAL CABLE WITH POTENTIOMETER
22	1	EAS2140G74A	END STROKE FOR PEDAL
23	1	EAW0286G08A	CABLE FOR CTS POTENTIOMETER

Used on units made from 7/2017 54BGLxxx
to 4/2022 54BEPxxx

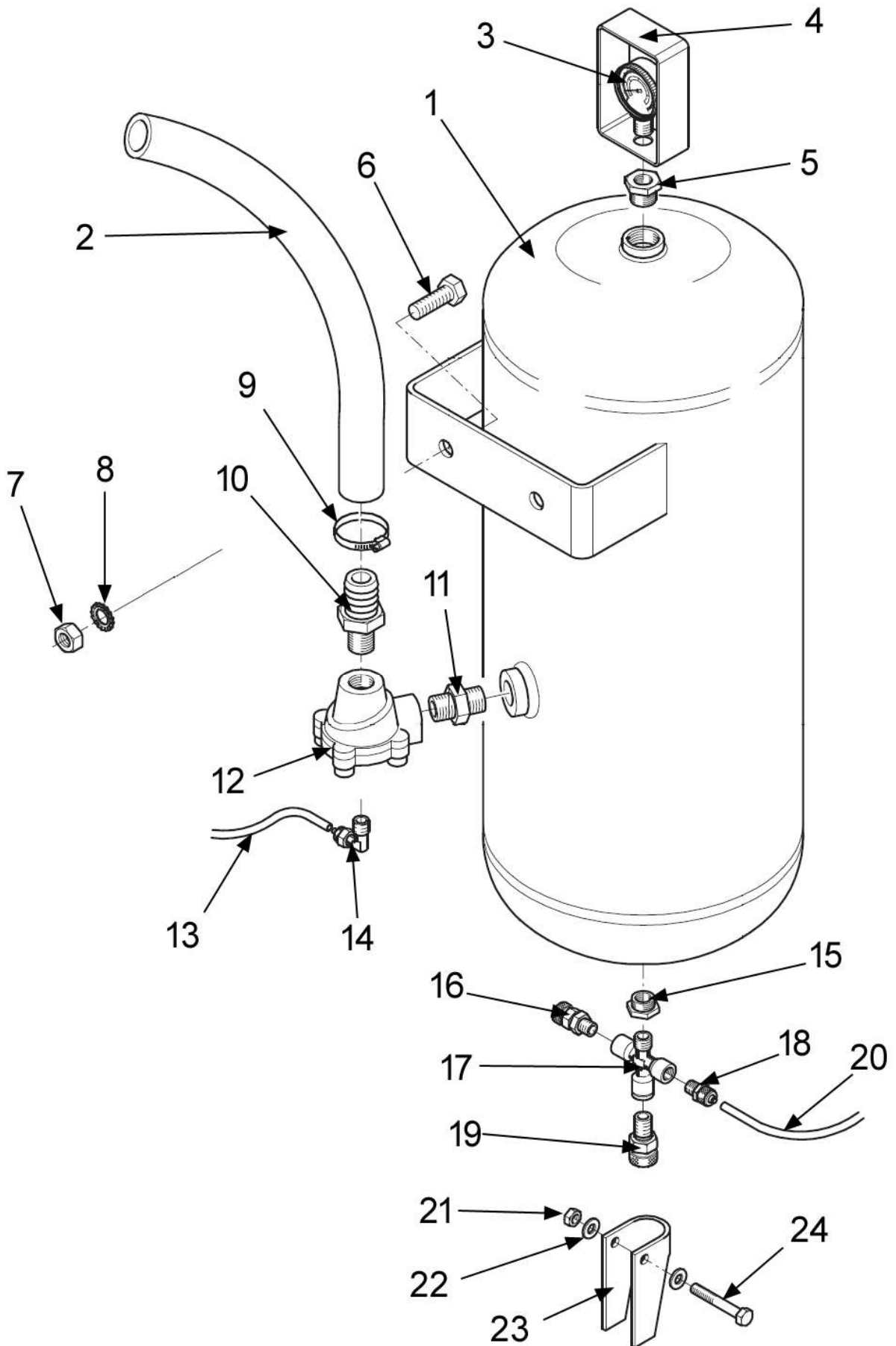


REF	QTY	PART NUMBER	DESCRIPTION
1	1	EAA0377G84A	4P CONTROL PEDAL WITH POTENTIOMETER
2	1	EAM0068G80A	PEDAL ASSEMBLY SUPPORT - MACHINED
3	1	EAM0068G10A	SHAFT-HINGE, PEDAL
4	2	EAM0048G79A	BUSHING CENTERING- SPRING
5	1	EAM0070G32A	COMMUTATOR SPRING GUIDE
6	1	EAM0075G56A	SPRING PEDAL SWITCH 2 SPEED
7	2	EAA0356G92A	RIGHT SWITCH FOOT PEDAL
8	3	EAA0356G94A	BEAD BREAKER VALVE
9	3	EAM0068G95A	STANDARD PEDAL - MACHINED
10	1	EAM0075G91A	SPRING RECALL PEDALS
11	1	EAC0103G56A	CAM FOR PEDAL B
12	2	EAS2115G09A	PROTECTION SHEET FOR CAM
13	2	EAS2111G73A	ROD POSITIONER PEDAL
14	1	EAM0070G46A	SPACER L=11 mm
15	1	EAC0096G11A	SPACER-PEDAL
16	1	EAA0356G96A	TURNTABLE/ TILTING VALVE
17	1	EAA0364G09A	HOSES KIT FOR FOOT PEDAL ASM 4P
18	1	EAK0279G96A	CONTROL PEDALS MOUNTING KIT
19	1	EAK0279G39A	NUTS/BOLTS KIT FOR FOOT PEDAL ASM
20	1	EAK0306G09A	POTENTIOMETER KIT
21	1	EAW0282G16A	PEDAL CABLE WITH POTENTIOMETER



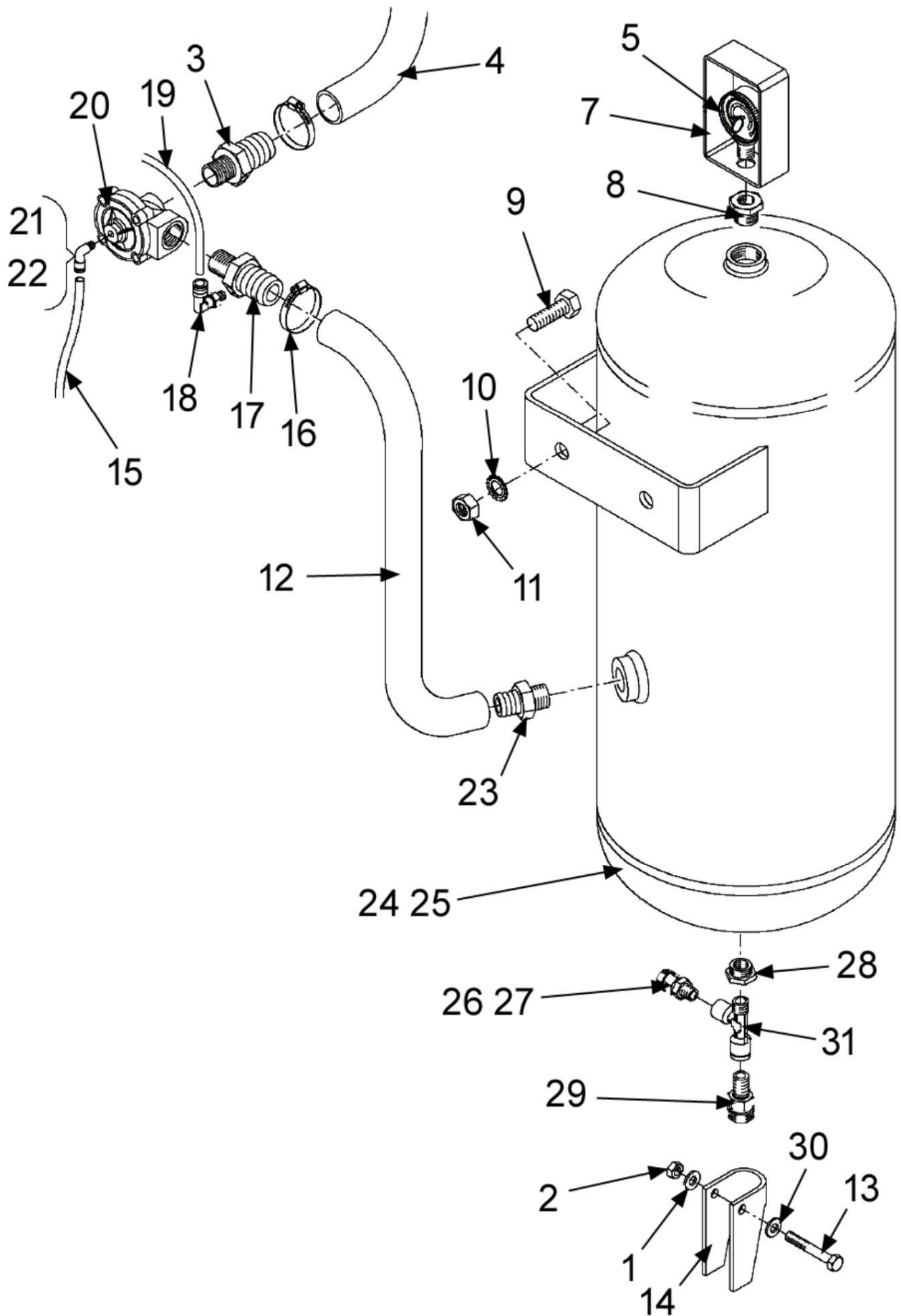
REF	QTY	PART NUMBER	DESCRIPTION
1	1	EAA0382G23A	GEAR BOX TC
3	1	EAA0410G02A	UL-MOTOR WITH CABLE FOR INVERTER
4	1	EAW0283G37A	UL MOTOR CABLE WITH CONNECTOR
5	1	EAS2131G28A	MOTOR SUPPORT
6	1	EAK0306G14A	PULLEY RUDUCTION KIT
7	1	EAK0279G67A	ANTI ROTATION KIT
8	1	1-1572	KEY-10 X 8 X 45
9	1	EAC0099G95A	V BELT A 27-0001890
10	1	EAK0279G66A	BELT TIGHTENER KIT
11	1	EAK0279G65A	SCREWS KIT FOR GEARBOX
12	1	EAM0125G93A	PULLEY, 1 GROOVE 60Hz
	1	1-472	FLAT KEY 6x6x28
	1	1-14801A	SCREW, HEX HEAD MACHINE M6x20
	1	1-20041A	WASHER - d.6X18
13	1	EAK0279G64A	SCREWS KIT FOR MOTOR
14	1	EAS2140G91A	SUPPORT FOR MANIFOLD HOSES

EAA0364G01A Tank used from 04/2023 (54BDSxxx)
Items 6, 7, 8 not included in Assembly

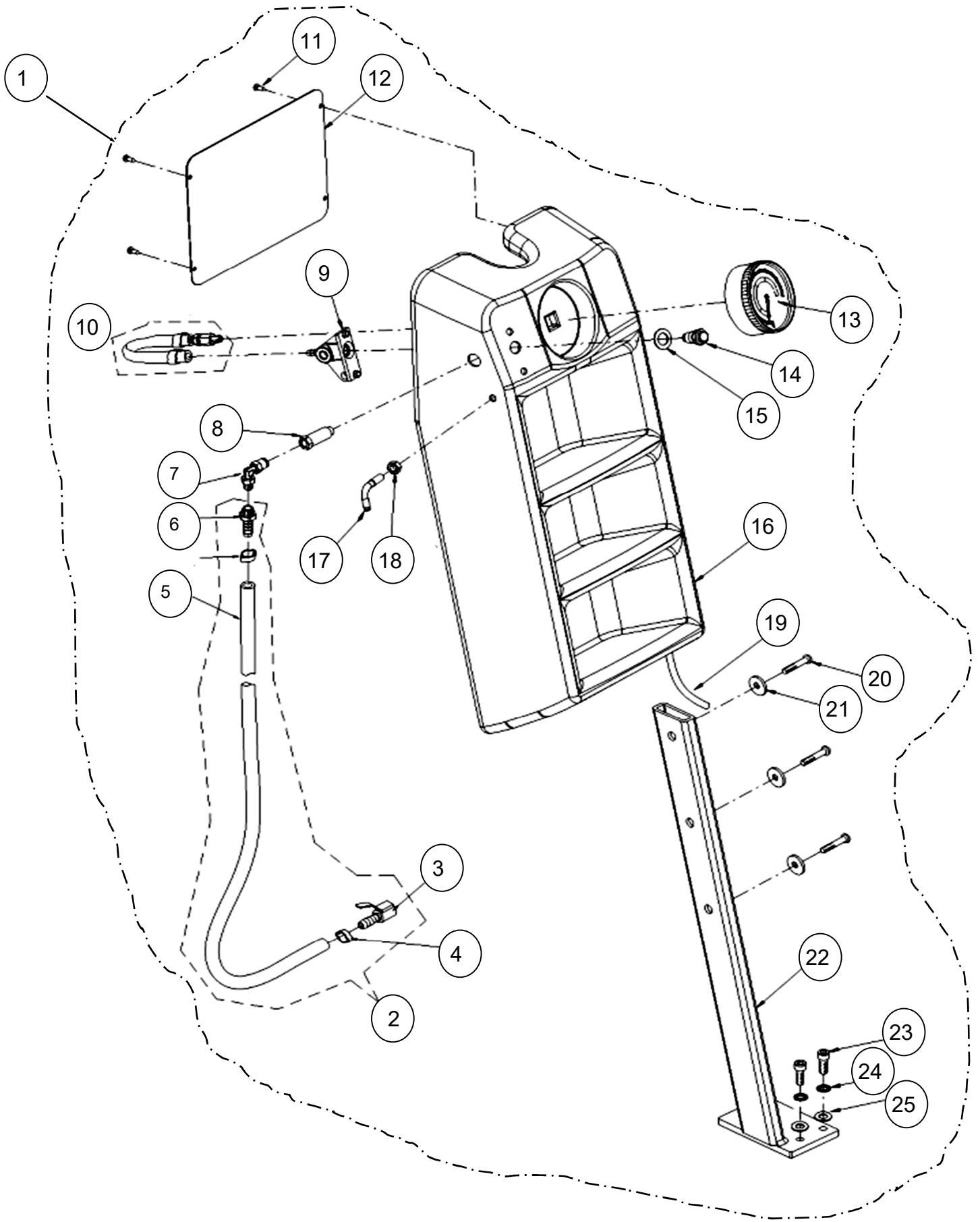


Ref	Qty	Part Number	Description
1	1	EAS2089G67A	Air Tank, CE/UKCA, Black Painted
2	mr	2072705	Hose, Air sold by the meter
3	1	8-06120A	Manometer D.40
4	1	EAM0074G01A	Protection, Manometer
5	1	1-12579A	Straight, Fitting MF 1/2"-1/8"
6	2	1-34501A	Screw 10 mm - 1.5 x 30
7	2	1-15433	Nut M10 x 8 mm
8	2	13148	Washer M10 Ext Shakeproof
9	1	EAM0075G29A	Clip Locking Hose
10	1	EAM0071G99A	1" Hose Fitting
11	1	1-16579A	Conic 1" Nipple
12	1	1-29581A	1" Valve, Air-Controlled
13	mr	5-06435A	Hose Air 4 x 6 sold by the meter
14	1	1-17179A	Fitting 90Deg 4 x 6mm 1/4"
15	1	1-16679A	Adapter MF 1/2-1/4"
16	1	1-31381A	Valve ASME Safety 1/4" BSPT
17	1	1-16779A	Fitting, Crossed FFFM 1/4"
18	1	1-16879A	Fitting Straight 6 x 8 1/4"
19	1	1-29481A	Tap, Condensed Water
20	mr	5-06335A	Hose, Air 6 x 8 sold by the meter
21	1	1-11733A	Nut M8, Blk
22	1	1-10041	Washer D.8
23	1	EAM0074G02A	Protection
24	1	1-39901A	Screw M8 x 50

Tank Assembly used up to 03/2023 (54BCSxxx)



Ref	Qty	Part Number	Description
1	1	1-10041	Washer D.8
2	1	1-15933A	Nut-Hex M8 - 1.25mm
3	1	EAM0071G99A	Fitting , Support M1"-20
4	mr	2072705	Hose, Air sold by the meter
5	1	8-06120A	Manometer-Radial 0-16 D.40
7	1	EAM0074G01A	Protection, Manometer
8	1	1-16679A	Reduction MF 1/2"-1/8" Cil.
9	1	1-34501A	Screw Te 10 x 30 8G
10	1	1-1348	Ext. Shakeproof
11	1	1-15433	Nut M10 Yellow Zincked Din 934
12	mr	2072705	Hose, Air sold by the meter
13	1	1-39901A	Screw M8 x 50
14	1	EAM0074G02A	Protection
15	mr	5-06435A	Hose Air 4 x 6 sold by the meter
16	4	EAM0075G29A	Clip Locking Hose 25793
17	1	15658	Fitting -Rub Holder 1" long
18	1	1-17279A	Elbow fitting 6 x 8 1/8"
19	mr	5-06435A	Hose Air 4 x 6 sold by the meter
20	1	1-29581A	Air Operated Solenoid Valve
21	1	1-17179A	Elbow fitting 4 x 6 1/4"
22	1	1-15779A	Elbow fitting 4 x 6 1/8"
23	1	EAM0071G99A	Fitting , Support M1"-20
24	1	EAS2089G67A	Tank - Inflator
25	1	EAS2090G17A	Tank - Inflator "Asme"
26	1	ST0005803	Valve, Press. Release 1/4"
27	1	1-31381A	Valve, Asme Safety, 1/4" Bspt
28	1	1-16679A	Adapter Mf 1/2-1/4
29	1	1-29481A	Tap, Condensed Water
30	1	1-10041	Washer D.8
31	1	1-19079A	T-Fitting MFF 1/4"



REF	QTY	PART NUMBER	DESCRIPTION
1	1	EAA0410G56C	KPA/PSI TOOL STORAGE BOX W/SUPPORT
2	1	EAA0481G30A	HOSE INFLATION WITH CHUCK AND FITTINGS
3	1	1-28579A	INFLATING STRAIGHT CLIP CHUCK – ¼”
4	2	1-03482A	HOSE CLAMP
5	1	EAH0049G13A	TIRE GUN TUBE
6	1	1-12079A	FITTING - AIR 1/8 D.7
7	1	1-11479A	FITTING - L 6X8 1/8
8	1	1-11779A	FITTING, STRAIGHT, M/F 1/4" L.36MM
9	1	EAC0078G59A	BODY BLEEDER VALVE
10	1	ST4029392	PIPE W/MNMTR DMPER-EAA0356G06A
11	4	1-20423	SELF TAPPING SCREW D4,2X13
12	1	EAS2089G49A	COVER, FOR BOX, BLACK PAINTED
13	1	8-06820A	PRESSURE GAUGE PSI / KPA
14	1	EAA0328G57A	BLEEDER VALVE
15	1	EAM0043G64A	WASHER, BLEEDER VALVE
16	1	EAA0364G72A	TOOL STORAGE BOX
17	1	EAA0490G75A	HOOK FOR INFLATING CHUCK
18	1	1-11733	NUT M8
19	BTM	5-06335A	HOSE RISLAN 8X6 BLACK 2208004
20	3	1-18702A	SCREW FILLISTER HEAD MACH M8X20
21	3	1-17841A	WASHER D. 8X24, BLK
22	1	EAA0329G98A	TOOL BOX SUPPORT, FINISHED
23	2	1-17709	SCREW TCEI 8X20 8G
24	2	1-3048	WASHER SHAKEPROOF D8 BLK.
25	2	1-10041	WASHER D.8



T5745T

Snap-on Equipment
309 Exchange Ave.
Conway, Ar 72032
501-450-1500

Notice: The information contained in this document is subject to change without notice. Snap-on Equipment makes no warranty with regard to this material. Snap-on Equipment shall not be liable for errors contained herein or for incidental consequential damages in connection with furnishings, performance, or use of this material. This document contains proprietary information which is protected by copyright and patents. All rights are reserved. no part of this document may be photocopied, reproduced, or translated without prior written consent

For Parts And Service Call Snap-on Equipment 1.800.225.5786

PARTS MANUAL