

JohnBean

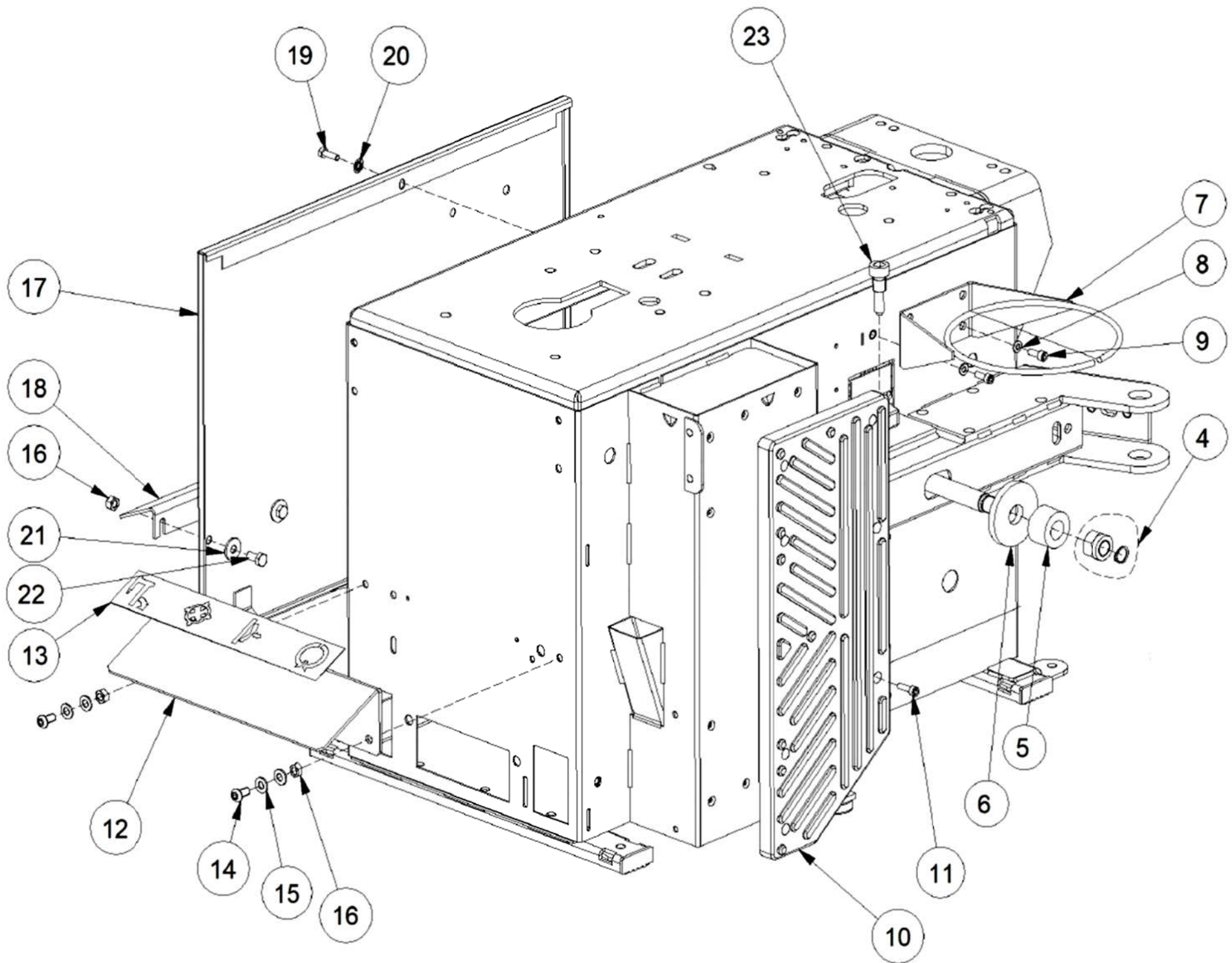
T1545T

EEWH581AU1
Swing Arm
Tire Changer
With Pro Speed

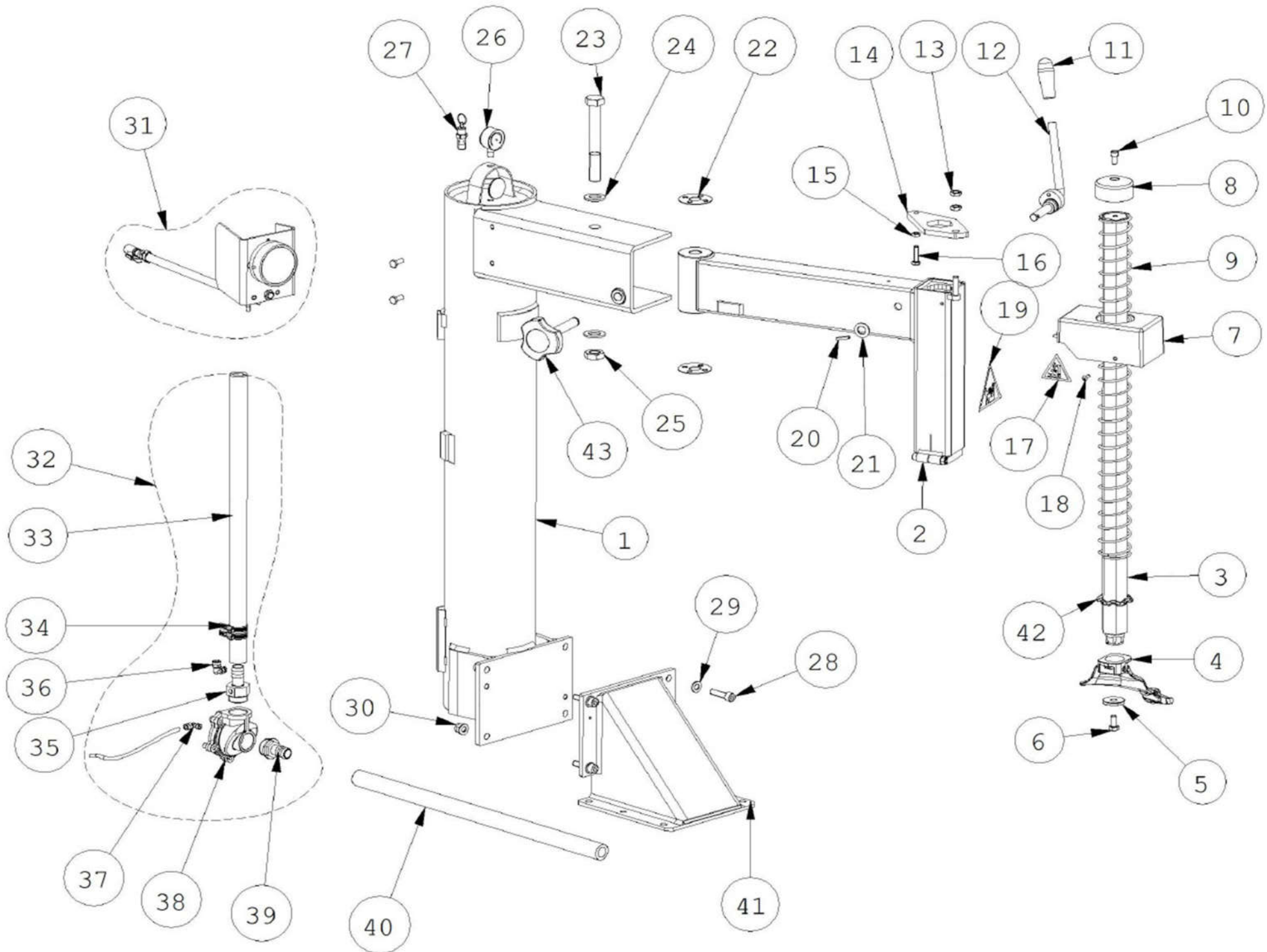


Parts Manual

PART NUMBER	DESCRIPTION
16511	LABEL-DANGER
EAL0467G92A	DECAL TC LEVER WARNING
ZEEWH589AU9	LIT PACK - SYS III
EAL0408G12A	LABEL PATENTS (33772)
EAL0413G31A	LABEL GROUND 8453
19159	LABEL DRAIN WATER EAL0467G25A
EAL0408G24A	LABEL OIL (10724)
24212	PLACARD DANGER TC ENG SPANISH
EAL0383G34A	LABEL DANGER (16524)
EAL0383G32A	LABEL DANGER 16507
16510	LABEL DANGER
EAL0343J76B	SERIAL LABEL DOCUMENT
EAL0413G34A	LABEL INFLATOR 22669
EAL0412G13A	STICKERS PEDAL - 22672
EAL0383G01A	ROTATION DIRECTION LABEL 2253
EAC0100G55A	LABEL SEALING HOLE (8715)
0027012	SYS III FRONT DECAL
EAL0415J38A	DECAL-JOHN BEAN CHROME
8-03229A	LUBRICANT-TIRE MOUNTING 75N
25701	LABEL-NO ADJUSTMENT
EAL0408G25A	LABEL PRESSURE MIN MAX 16352
EAL0392J89A	LABEL-CUST SVC JBC
EAC0078G13A	BACK PLSTC RIM PROTECTOR-30580
EAC0097G47A	WAVE TIRE MOUNTING LEVER
EAC0113G61A	RIM PROTECTOR PLASTIC
EAM0043G53A	PIN M5 HEXAGONAL SKT- 30950
EAK0329G86A	LGHTALLOY RIM PROTE FRONT ONLY
19254	CLIP FITTING
5-14126A	BRUSH TIRE LUBE APPLICATOR
4027094	HOLDER LUBE BOTTLE EAA0490G74
01267267000	WIRE DAUBER
00066006000	BOTTLE-LUBE

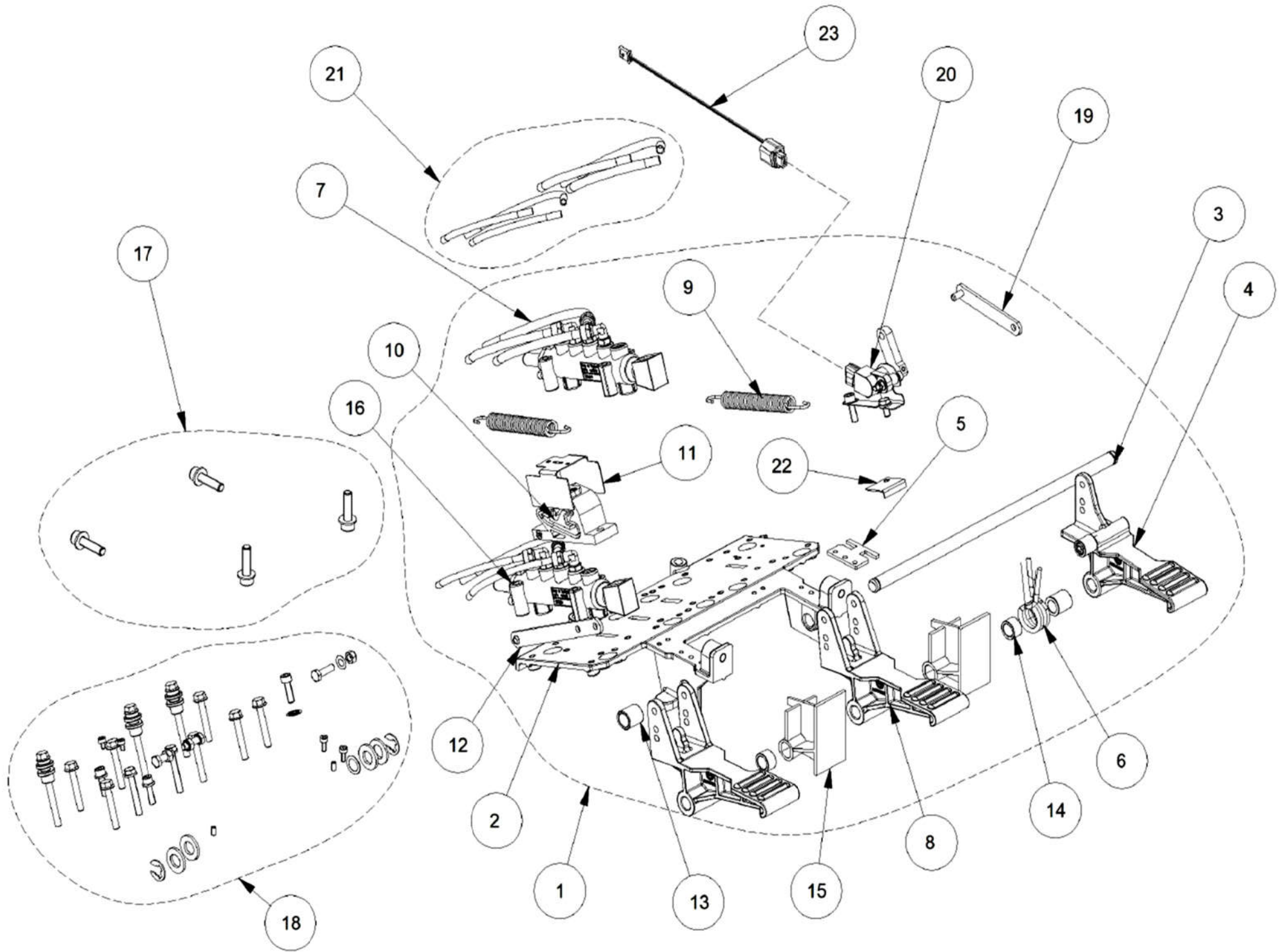


REF #	QTY	PART NUMBER	DESCRIPTION
4	1	EAK0306G23A	FIXING KIT FOR BEAD BREAKER ARM
5	1	EAC0097G51A	WASHER - SHOCK ABSORBER
6	1	EAM0067G33A	WASHER,SUPPORT-BEAD BREAKER
7	1	EAA0349G76A	RING- BOX, GREASE
8	2	1-9841	WASHER,PLAIN D6 ZINC.
9	2	1-16309	SCREW HEX SOCKET M 6X16
10	1	EAC0099G22A	PAD- SUPPORT, BEADBREAKER
11	7	1-16409A	SCREW TCEI 6X20 8G
12	1	EAS2169G75A	PEDAL PROTECTION
13	1	22671	STICKER, PEDALS
14	2	1-9902A	SCREW
15	4	1-17741	WASHER D.8
16	4	1-11733	NUT M8
17	1	EAS2126G60A	BLACK SIDE
18	1	EAS2115G83A	PROTECTOR,PEDAL
19	1	1-30901A2	SCREW TE 6X20 8G
20	1	1-1548	WASHER-LOCK D.6
21	2	1-17841	WASHER - D. 8X24
22	2	1-32501A	SCREW 8X16 8G
23	2	EAM0067G34A	BEAD BREAKER CYLINDER FITTING SCREW

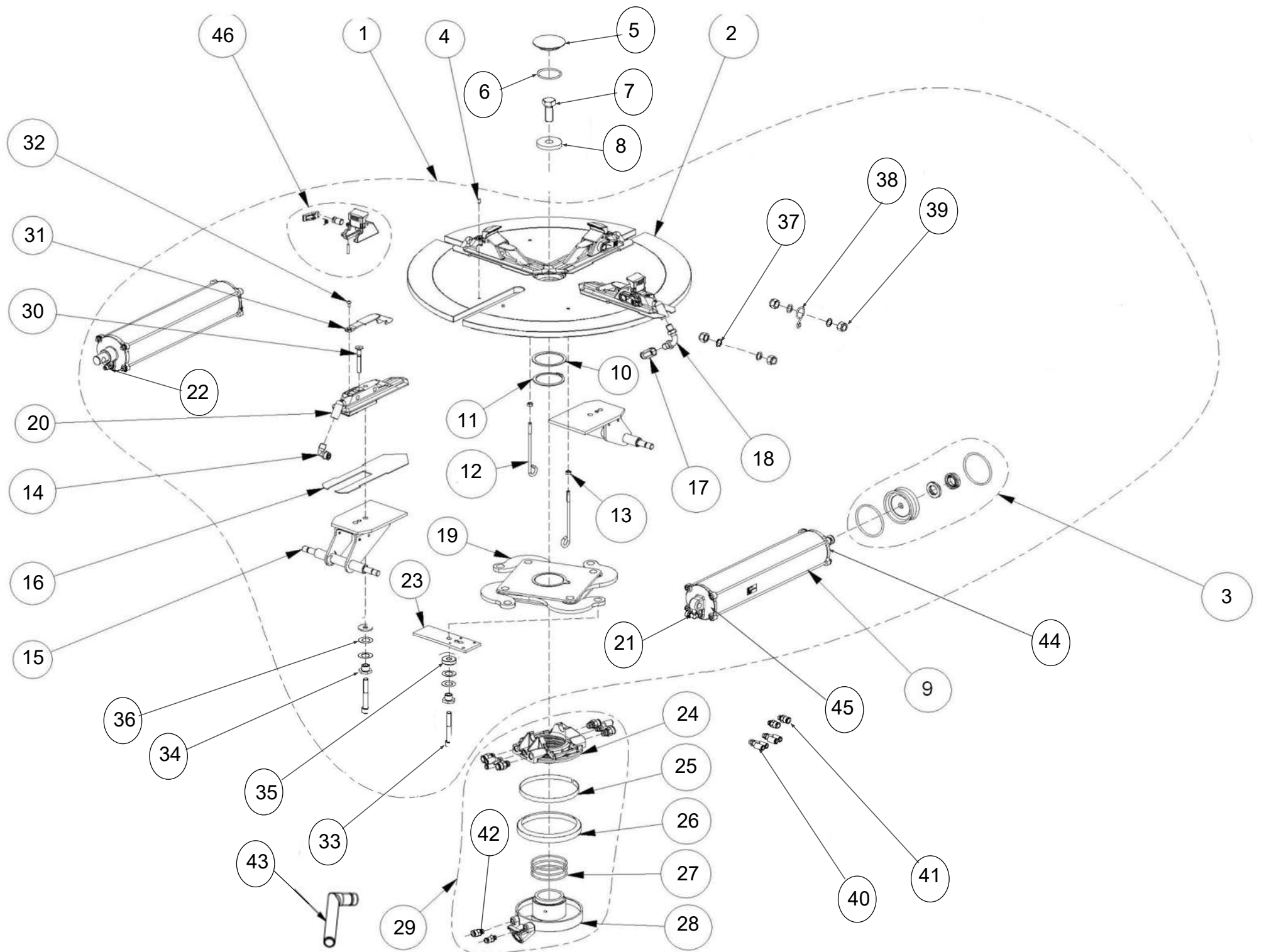


REF #	QTY	PART NUMBER	DESCRIPTION
1	1	EAS2169G73A	SWING COLUMN
2	1	EAA0440G41A	SWING ARM
3	1	EAM0122G32A	ROD-VERTICAL
4	1	EAA0329G95A	MOUNTING/DEMOUNTING TOOL
5	1	EAM0032G02A	WASHER- TOOL CLAMPING
6	1	1-34301A	SCREW HEX 10X20 8G
7	1	EAM0126G17A	PROTECTION, UPPER TOWER
8	1	EAM0140G92A	COVER FOR HEX BAR
9	1	EAS2153G47A	SPRING-RECALL, TOWER,VERTICAL
10	1	1-17609A	SCREW, 8X16 8.8 UNI5931-67
11	1	EAC0078G04A	HANDLE-RUBBER
12	1	EAS2108G36A	LEVER, REGISTER
13	2	1-19633B	NUT- M10 6S BLK UNI5589-65
14	1	EAS2153G46A	LEVER- NECKING
15	1	1-15933A	NUT M8 DIN 936 - UNI 5589
16	1	EAM0067G26A	SCREW, ADJUSTMENT- ROD
17	2	EAL0408G42A	STICKER DANGER
18	3	1-49709A	SCREW TBEI 5X16 8.8
19	1	EAL0408G44A	DANGER LABEL
20	1	1-6452	PIN, STRAIGHT SLOTTED
21	1	1-10341	WASHER - D.14
22	2	EAM0067G29A	WASHER - ADJUSTMENT

REF #	QTY	PART NUMBER	DESCRIPTION
23	1	EAM0067G25A	SCREW, SWING ARM SUPPORT
24	2	1-10641	WASHER
25	1	1-21633A	NUT
26	1	8-06120A	MANOMETER-RADIAL 0-16 D.40
27	1	1-31381A	VALVE, ASME SAFETY, 1/4" BSPT
28	4	1-19409	SCREW TCEI 10X40
29	8	1-10141A1	WASHER P.D.10
30	4	7020879	NUT SELFCLAMPING
31	1	EAA0332G48A	ASSY, GAUGE-PRESSURE PSI / KPA
32	1	EAA0351G03A	ASSY, VALVE- PNEUMATIC
33	1	27096	HOSE, AIR- HIGH PRESSURE
34	4	EAM0075G29A	CLIP, LOCKING-HOSE
35	1	15658	FITTING, RUB.HOLDER 1" LONG
36	1	1-17279A	FITTING "L" 6X8 1/8
37	1	1-17179A	ELBOW FITTING "L" 4X6 1/4"
38	1	1-29581A	VALVE,AIR-CONTROLLED
39	1	EAM0071G99A	FITTING , SUPPORT M1"-20
40	1	14121	HOSE, AIR
41	1	EAS2169G72A	COLUMN SUPPORT
42	1	EAC0094G02A	RING, SHOCK-ABSORBER
43	1	1-03512A	HANDLE WITH SCREW

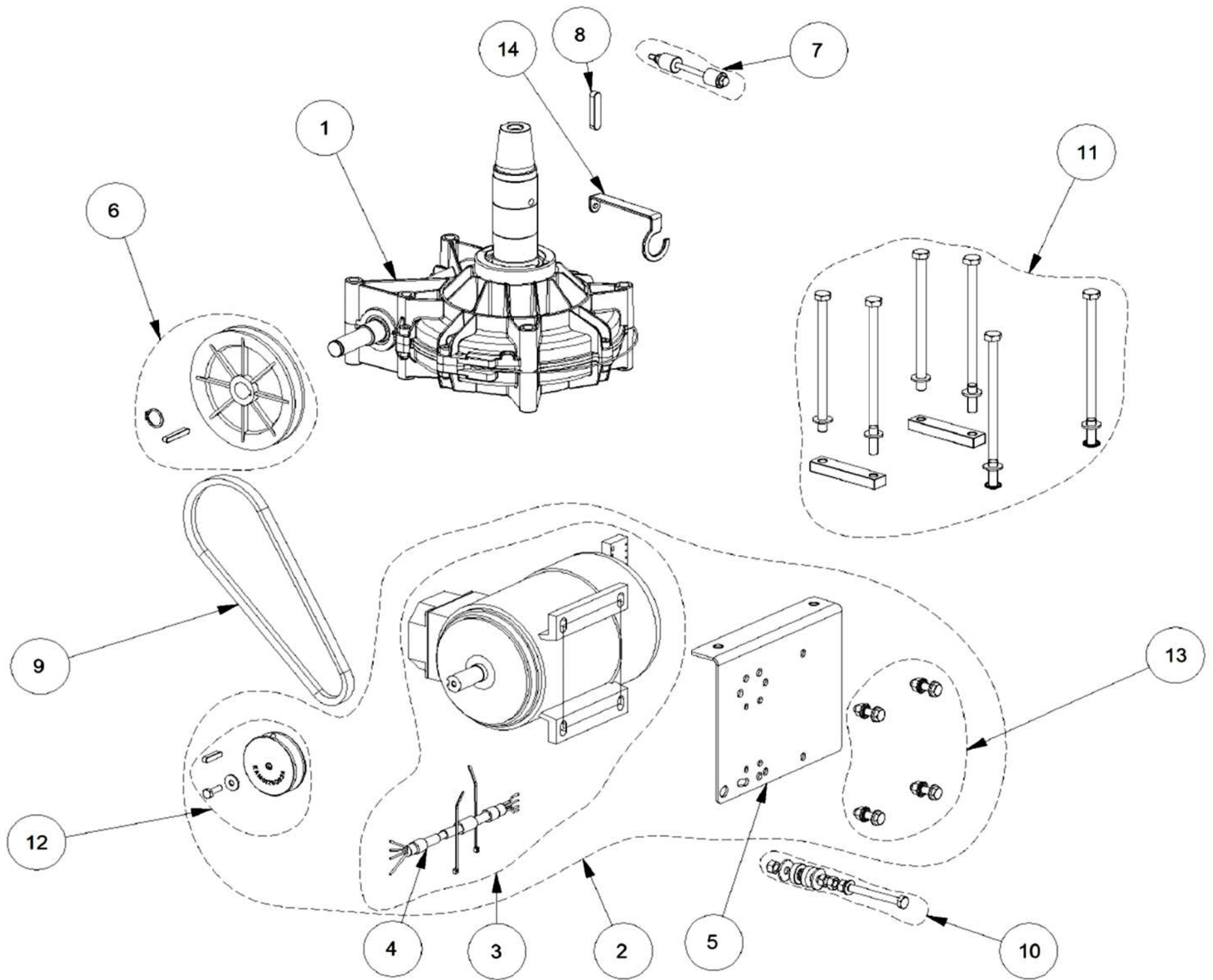


REF #	QTY	PART NUMBER	DESCRIPTION
1	1	EAA0481G84A	3P CONTROL PEDAL WITH POTENTIOMETER
2	1	EAM0068G80A	PEDAL ASM SUPPORT - MACHINED
3	1	EAM0068G10A	SHAFT-HINGE, PEDAL
4	1	EAA0356G92A	RIGHT SWITCH FOOT PEDAL
5	1	EAM0070G32A	COMMUTATOR SPRING GUIDE
6	1	EAM0075G56A	SPRING, PEDAL SWITCH 2SPEED
7	1	EAA0440G87A	BEAD BREAKER PEDAL HOSES + VALVE
8	2	EAM0068G95A	STANDARD PEDAL - MACHINED
9	2	EAM0075G91A	SPRING RECALL PEDALS
10	1	EAC0103G56A	CAM FOR PEDAL
11	1	EAS2115G09A	PROTECTION SHEET FOR CAM
12	1	EAS2111G73A	ROD POSITIONER PEDAL
13	2	EAM0048G79A	BUSHING, CENTERING- SPRING
14	2	EAM0070G46A	SPACER L=11 MM
15	2	EAC0096G11A	SPACER-PEDAL
16	1	EAA0440G88A	TURNTABLE PEDAL HOSES + VALVE
17	1	EAK0279G96A	CONTROL PEDALS MOUNTING KIT
18	1	EAK0279G39A	NUTS/SCREWS FOR FOOT PEDAL ASM
19	1	EAS2132G66A	ROD PEDAL POTENTIOMETER
20	1	EAA0425G42A	PEDAL CABLE WITH POTENTIOMETER
21	1	EAK0330G64A	PEDAL CABLE WITH POTENTIOMETER
22	1	EAS2140G74A	END STROKE FOR PEDAL
23	1	EAW0286G08A	CABLE FOR CTS POTENTIOMETER

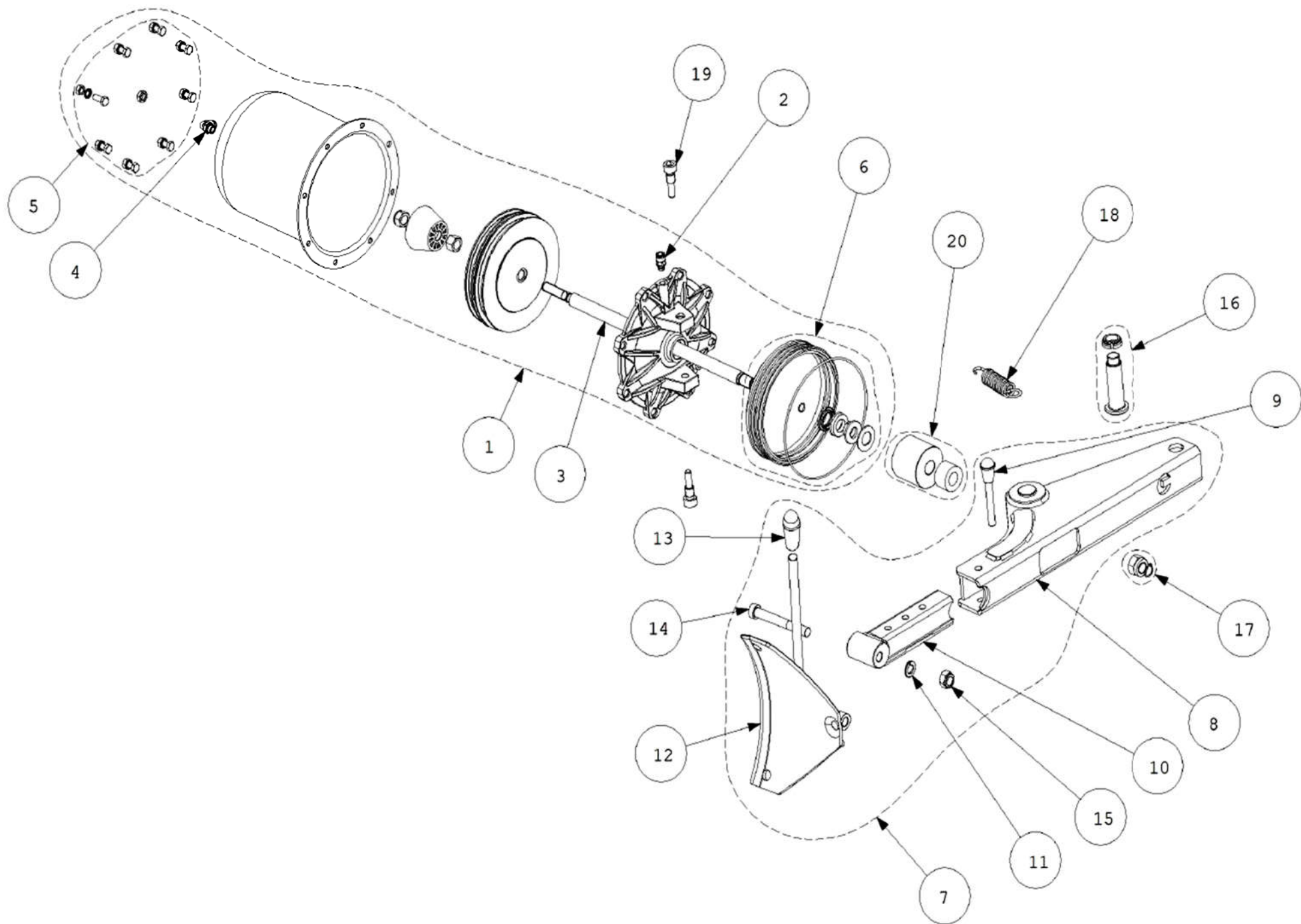


REF #	QTY	PART NUMBER	DESCRIPTION
1	1	EAA0409G85A	TURNTABLE 24' CENTER TYPE GT
2	1	EAS2153G40A	TURNTABLE CENTER TABLE
3	2	EAK0317G36A	CYLINDER SEAL KIT
4	8	1-25952A	PIN DOWEL 5MMX10MM
5	1	EAC0087G47A	TURNTABLE PROTECTOR
6	1	8-11714A	ORING 46.04.3.53
7	1	1-51101A	SCREW 16 X 1.5X 40 8G BR
8	1	EAS2092G32A	WASHER
9	2	EAA0410G31A	SELF CENTERING CYLINDER
10	1	1-18677A	SEEGER UNI 7435 ROD Ø60
11	1	EAM0051G85A	SUPPORT WASHER
12	2	EAM0051G90A	SUPPORT FOR PIPE BS
13	2	1-11633A	NUT - HEX . M6 6 S
14	2	1-14379A	CONNECTION L 1/4" 8X10
15	2	EAA0377G79A	BRACKET CYLINDERS
16	4	EAM0051G00A	GUIDE TERMINALS CENTRE CONVERG
17	2	1-27379A	F.STRAIGHT FITTING 8X10 1/4"
18	2	EAM0051G83A	PIPE FOR BS CLAMP
19	4	EAA0351G73A	CLAMP ACTIONING PLATE
20	4	EAM0075G00A	CLAMP, SLIDING W/CENTRE 24" GT MACHINED
21	2	1-18879A	FITTING - L 4X6 1/8"
22	2	1-27179A	STRAIGHT FITTING 4X6 1/8"
23	2	EAM0043G49A	PLATE REGISTER CLAMP
24	1	EAA0338G76A	COLLECTOR EXTERNAL RING
25	1	EAA0338G77A	GASKET SEAL SPRING
26	1	EAC0087G50A	FRONT GASKET BS
27	3	8-10814A	ORING Ø69.44X3.53

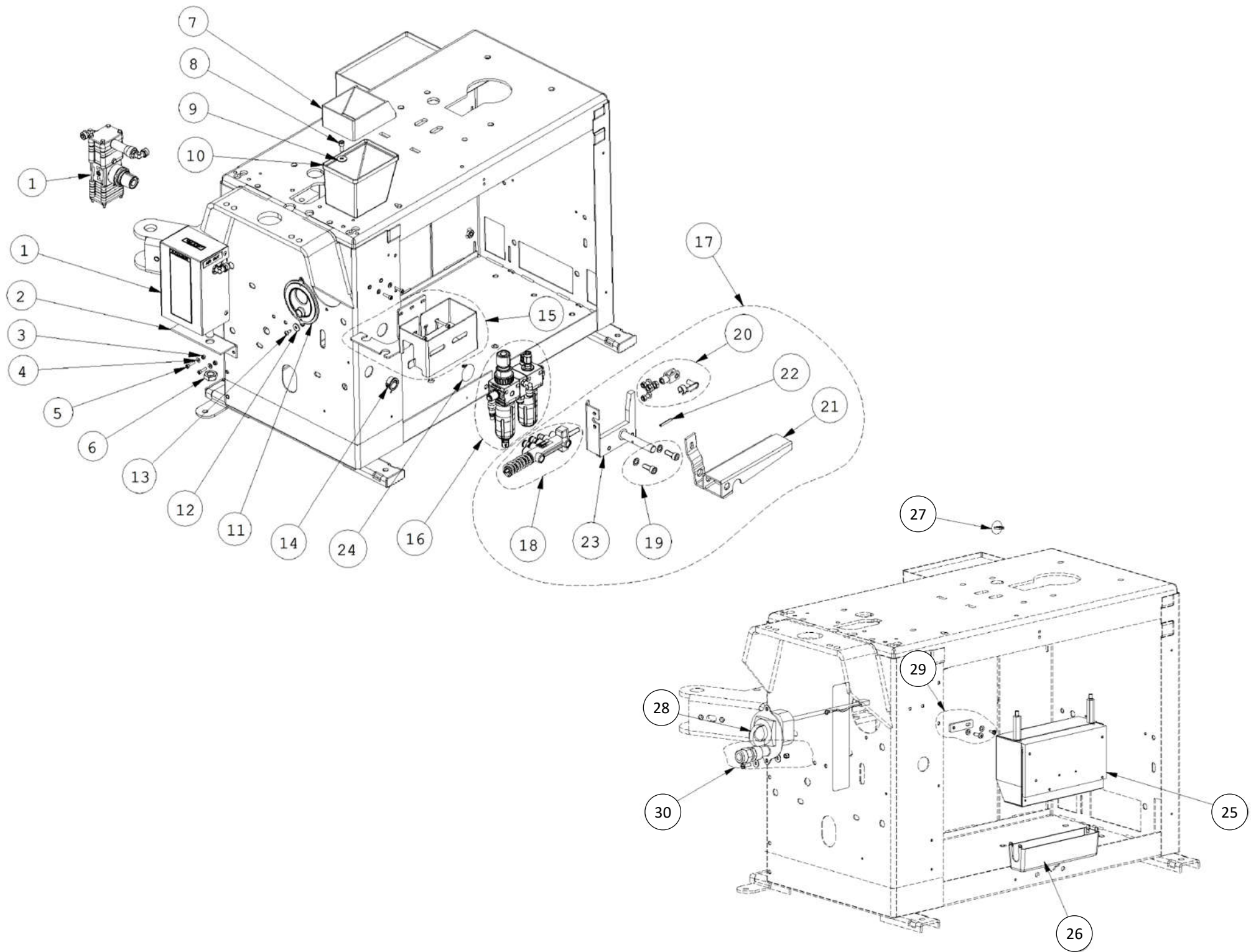
REF #	QTY	PART NUMBER	DESCRIPTION
28	1	EAA0338G27A	INNER COLL. WITH SCREW
29	1	EAA0304G69A	REVOLVING MANIFOLD GT
30	4	1-24603A	SCREW M8x60 CLASSE 12.9 UNI 5933-6
31	4	EAC0099G90A	PROTECTION JAWS NEW ST. 1901
32	4	1-36109A2	SCREW TBEI 5X10 8G
33	4	1-54409A	SCREW, 10X50 12.9 BLK UNI 5931
34	4	EAM0043G19A	ECCENTRIC FOR SLIDING ROD
35	2	EAM0051G75A	SLIDING ROD SPACER
36	8	EAM0051G74A	WASHER 30x17x0.3
37	4	1-24641A	WASHER \varnothing 12,2x18x1 DIN 988
38	1	EAM0051G88A	AIR PIPE HOOK
39	4	1-19933A	NUT M12
40	2	1-13579A	FITTING "Y" 4x6 1/8"
41	2	1-14679A	RAPID CONNECTOR 1/4" \varnothing 10
42	2	1-11379A	FITTING 4x6 1/8"
43	1	EAS2138G25A	RUBBER HOSE CONNECTION
44	2	ST0019653	FRONT CYLINDER FLANGE
45	2	ST0019652	REAR CYLINDER FLANGE
46	4	EAA0408G23A	ASSEMBLED SLIDING JAW C/TYPE V2
N/S	4	EAM0154G76A	spring protection air-hos
N/S	4	ST0026904	PIPE, SPIRAL *BLK 6,5X10X2,5IN L
N/S		5-06435A	4mm x 6mm HOSE BTF
N/S		ST2618004	6mm x 8mm HOSE BTF
N/S		ST2618002	8mm X 10mm HOSE BTF



REF #	QTY	PART NUMBER	DESCRIPTION
1	1	EAA0457G27A	GEARBOX
2	1	EAA0481G56A	H/S & CSA MOTOR ASM FOR INVERTER
3	1	EAA0410G02A	HIGH SPEED MOTOR W/CABLE INVERT. CSA
4	1	EAW0283G37A	UL MOTOR CABLE WITH CONNECTOR
5	1	EAS2131G28A	MOTOR SUPPORT
6	1	EAK0306G14A	REDUCTION UNIT PULLEY KIT
7	1	EAK0279G67A	ANTIROTATION KIT
8	1	1-1572	KEY-10x8x45
9	1	EAC0099G95A	BELT A27
10	1	EAK0279G66A	BELT TIGHTENER KIT
11	1	EAK0279G65A	SCREWS KIT FOR GEARBOX
12	1	EAK0330G26A	MOTOR D. 60 PULLEY KIT
13	1	EAK0279G64A	SCREWS KIT FOR MOTOR
14	1	EAS2140G91A	SUPPORT FOR REV. MANIFOLD HOSES

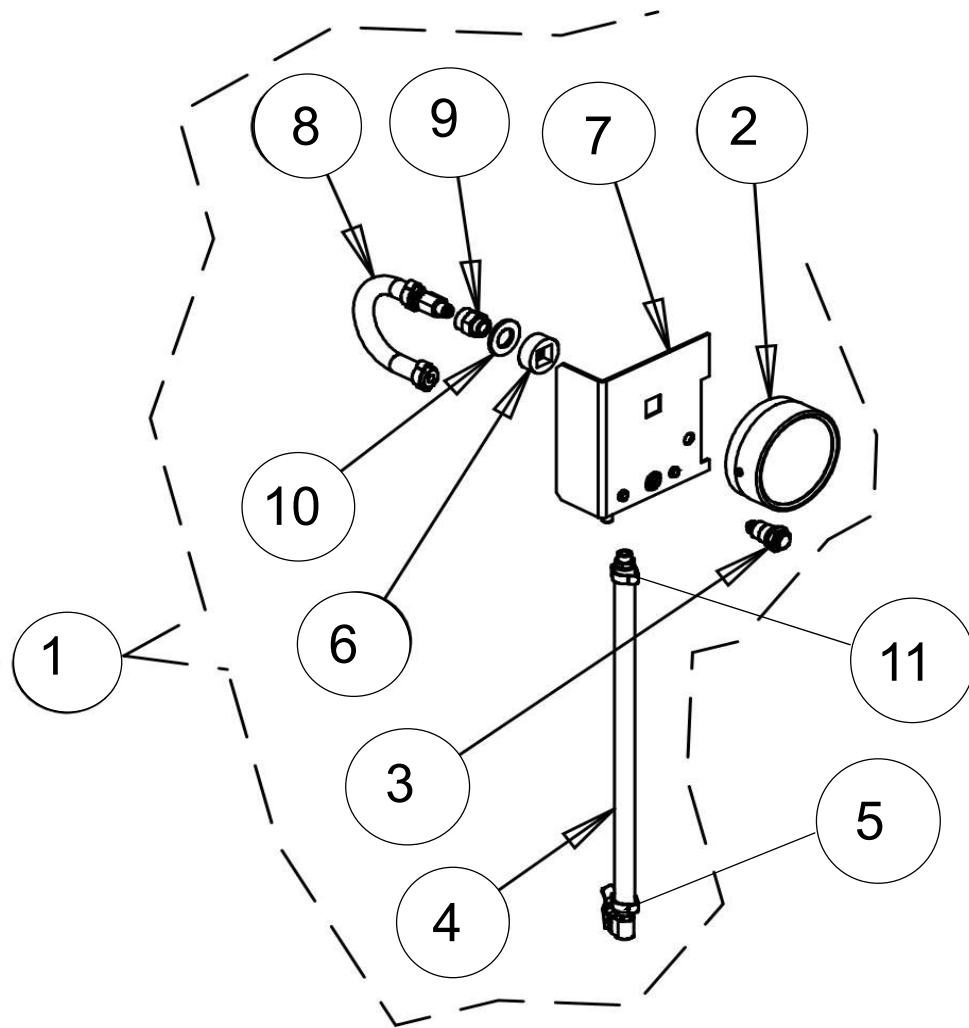


REF	QTY	PART NUMBER	DESCRIPTION
1	1	EAA0377G31A	TC 22" BEAD BREAKER CYLINDER
2	1	1-11379A	FITTING-ST 6X8 1/8
3	1	EAM0085G80A	ROD BEAD-BREAKER CYLINDER
4	1	1-20179A	FITTING "L" 6X8
5	1	EAK0306G16A	SCREWS AND BOLTS FOR BEAD BREAKER C
6	1	EAK0306G19A	SEALS FOR BEAD BREAKER CYL.
7	1	EAA0338G44A	BEAD BREAKER EXTENSIBLE
8	1	EAS2108G27A	ARM SUPPORT, BEAD-BREAKER
9	1	EAA0328G72A	PIN - LOCK
10	1	EAS2087G90A	EXTENSION-ARM,B/BREAKER
11	2	1-5246	WASHER 14MM
12	1	EAS2087G93A	BLADE, BEADBREAKER
13	1	EAC0078G04A	HANDLE-RUBBER
14	1	1-22609	SCREW TCEI M14X110 8.8
15	1	1-10433	NUT-S.LOCK,LOW- M14
16	1	EAK0306G20A	FULCRUM KIT FOR BEAD BREAKER ARM
17	1	EAK0306G23A	FIXING KIT FOR BEAD BREAKER ARM
18	1	EAM0067G69A	SPRING-RECALL ARM, BEAD BREAKER
19	2	EAM0067G34A	BEAD BREAKER CYLINDER FITTING SCREW
20	1	EAK0341G78A	END STROKE KIT FOR BEAD BREAKER ARM



REF	QTY	PART NUMBER	DESCRIPTION
1	1	EAA0350G78A	PRESSURE LIMITER VALVE
1	1	EAA0384G22A	VALVE, AIR CONTROL
2	1	EAS2090G13A	BRACKET-VALVE, INFLATOR
3	2	1-11433A	NUT - M4 6S
4	2	1-9641	WASHER
5	2	1-13609A	SCREW TCEI 4X16 8G
6	1	1-25833A	NUT - M14 6S
7	2	1-31581A	PLUG-VALVE, HOUSING
8	2	1-60809A	SCREW TCEI 6X14 8G
9	2	1-20041A	WASHER - d.6X18
10	2	8-03129A	BOX-GREASE
11	1	EAC0100G22A	CABLE PROTECTION
12	2	1-23641A	WASHER 5X15X1.5
13	2	1-20423	SELF TAPPING SCREW d4,2x13
14	1	8-11616A	SNAP BUSHING Øe 22.2mm - Øi 17.5mm
15	1	EAK0330G49A	NA LUB. FILTER FIXING KIT
16	1	EAA0439G90A	FILTER-PRESS.RED.-LUBRIC.ASSY+AIR IN L
17	1	EAA0384G14A	GROUP, BEAD INFLATING PEDAL
18	1	EAA0329G75A	VALVE, BEAD INFLATING
19	1	EAK0306G33A	SCREWS AND BOLTS FOR GT PEDAL
20	1	EAK0306G32A	SCREWS AND BOLTS FOR GT VALVE
21	1	EAS2068G87A	INFLATOR PEDAL CATAPHOR. BLK
22	1	1-6652	PIN - STRAIGHT SLOTTED 4X30
23	1	EAS2134G52A	GT PEDAL SUPPORT
24	1	1-08676A	CAP, CLOSING

REF	QTY	PART NUMBER	DESCRIPTION
25	1	EAK0341G06A	INVERTER GROUP - 230V
25	1	EAK0341G07A	INVERTER GROUP ENHANCED POTENTIOME
26	1	EAC0103G88A	COVER FOR INVERTER BOX
27	1	1-09076A	CAP CLOSING
28	1	EAA0481G43A	ROTARY CAM SWITCH GROUP - UL
29	1	EAK0317G29A	KIT, BRACKET FOR INVERTER
30	1	EAK0317G30A	KIT, FIXING FOR SWITCH



REF	QTY	PART NUMBER	DESCRIPTION
1	1	EAA0332G46A	ASSY GAUGE-PRESSURE PSI/KPA
2	1	EAA0332G41A	PSI / KPA MANOMETER
3	1	EAA0328G57A	VALVE
4	1	EAA0329G99A	STD INFLATION HOSE
5	1	1-12279A	INFLATING CHUCK
6	1	EAC0100G54A	PLASTIC WASHER
7	1	ST0015865	MONOMETER SUPPORT
8	1	EAA0356G06A	MANOMETER DAMPER
9	1	1-11879A	REDUCTION
10	1	1-10341	D.14 WASHER
11	1	1-12079A	FITTING - AIR 1/8 D.7
N/S	2	1-32701A1	SCREW M8X25
N/S	2	1-17741	WASHER d.8



Snap-on Equipment
309 Exchange Ave.
Conway, Ar 72032
501-450-1500

Notice: The information contained in this document is subject to change without notice. Snap-on Equipment makes no warranty with regard to this material. Snap-on Equipment shall not be liable for errors contained herein or for incidental consequential damages in connection with furnishings, performance, or use of this material. This document contains proprietary information which is protected by copyright and patents. All rights are reserved. no part of this document may be photocopied, reproduced, or translated without prior written consent